



REDDI-BILT BARBECUES

ASSEMBLY MANUAL & PARTS LIST

MANUEL DE MONTAGE & LISTE DE PIECES

broil-mate™
4850-4
4850-7



broil-mate™
4854-4
4854-7
4857-4
4857-7



STERLING Ⓞ
2854-4
2854-7

broil-mate™
4859-4
4859-7




broil-mate™
4864-4
4864-7
4867-4
4867-7



STERLING Ⓞ
2864-4
2864-7

broil-mate™
4877-4
4877-7



broil-mate™
4879-4
4879-7



RETAIN FOR FUTURE REFERENCE

VEUILLEZ CONSERVER POUR REFERENCE ULTERIEURE

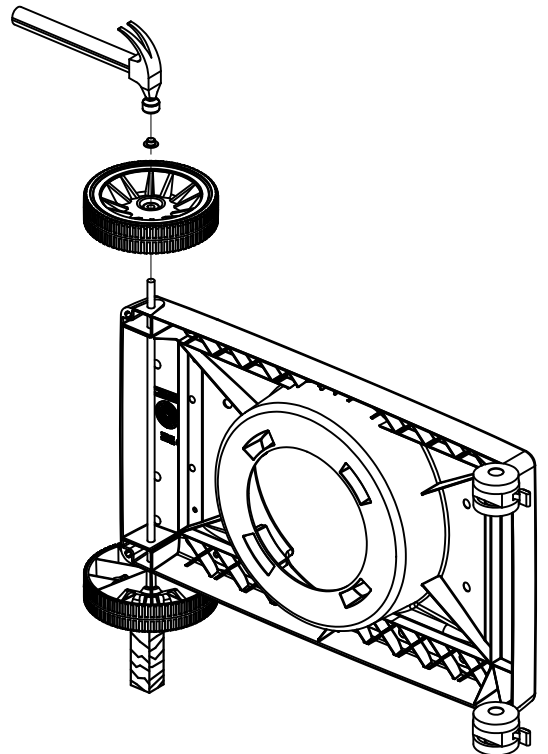
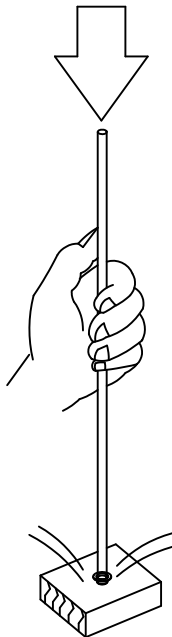
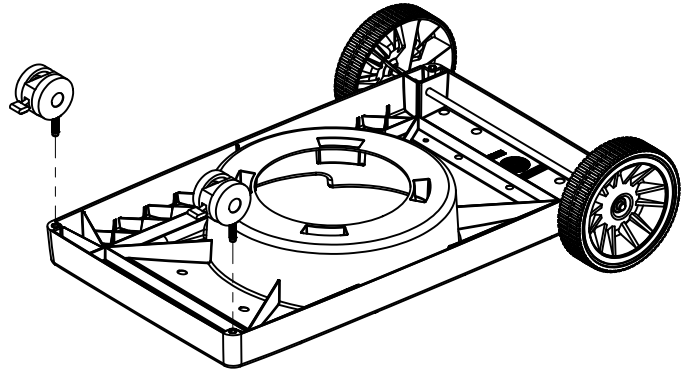
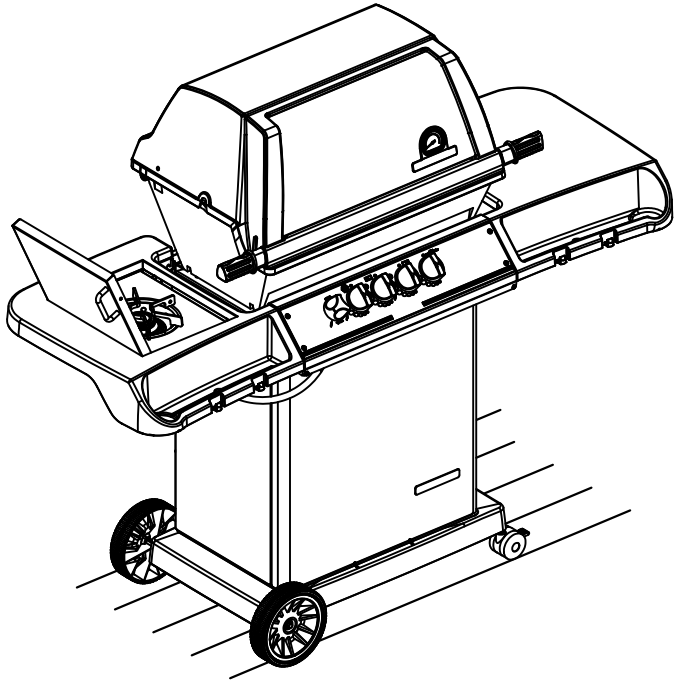
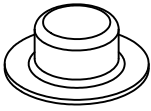
1-800-265-2150

info@omcbbq.com

Onward
MANUFACTURING COMPANY
SINCE 1906
585 KUMPF DRIVE LIMITED
WATERLOO, ONTARIO, CANADA
N2V 1K3

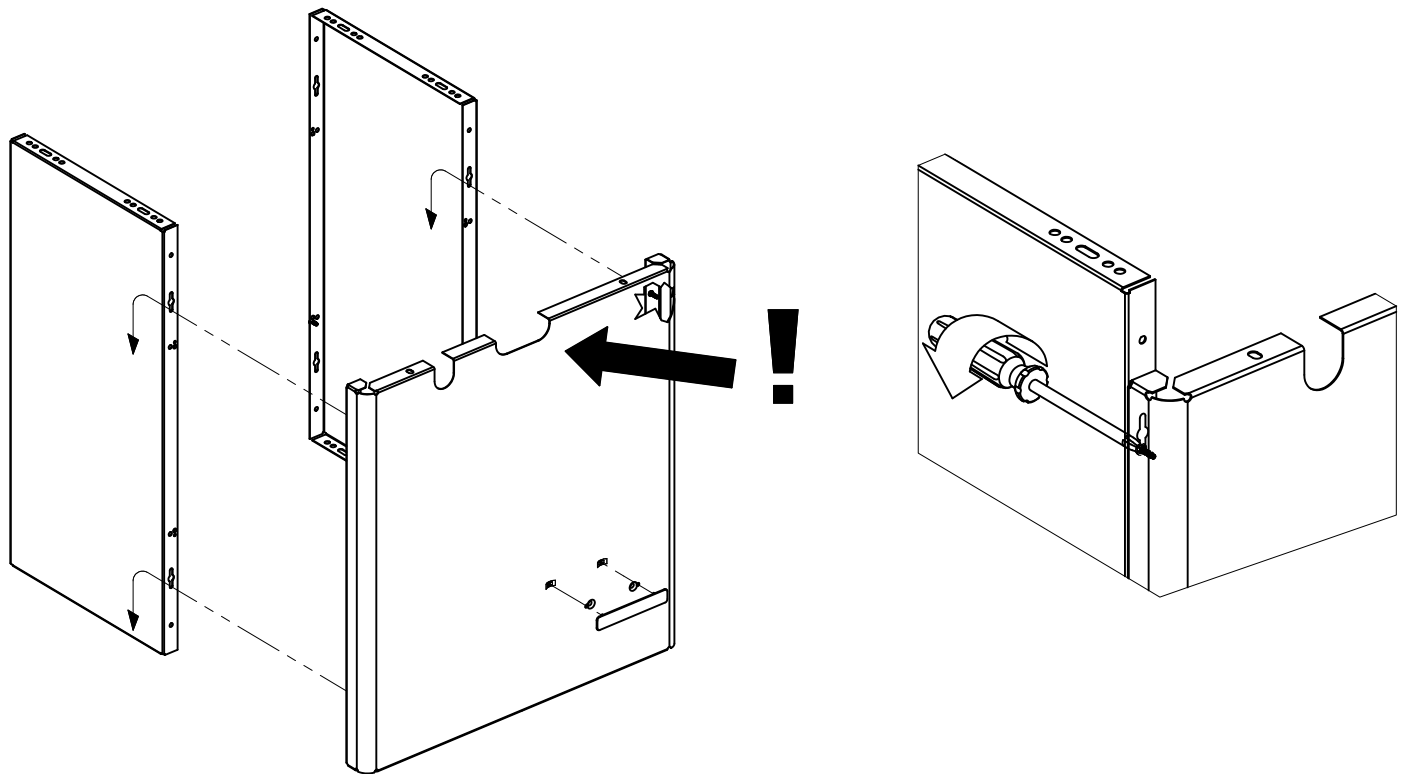
1

(2)

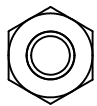


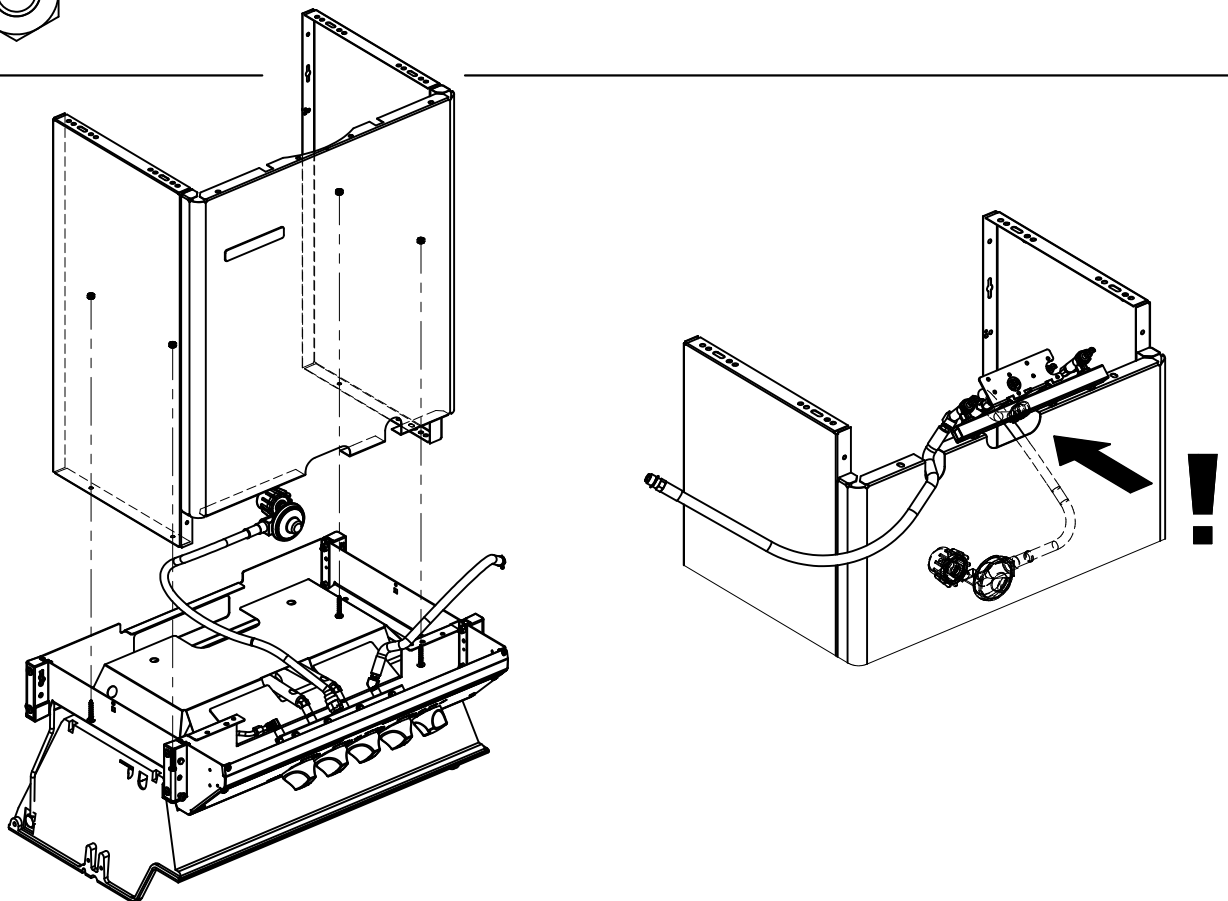
2

(2) 

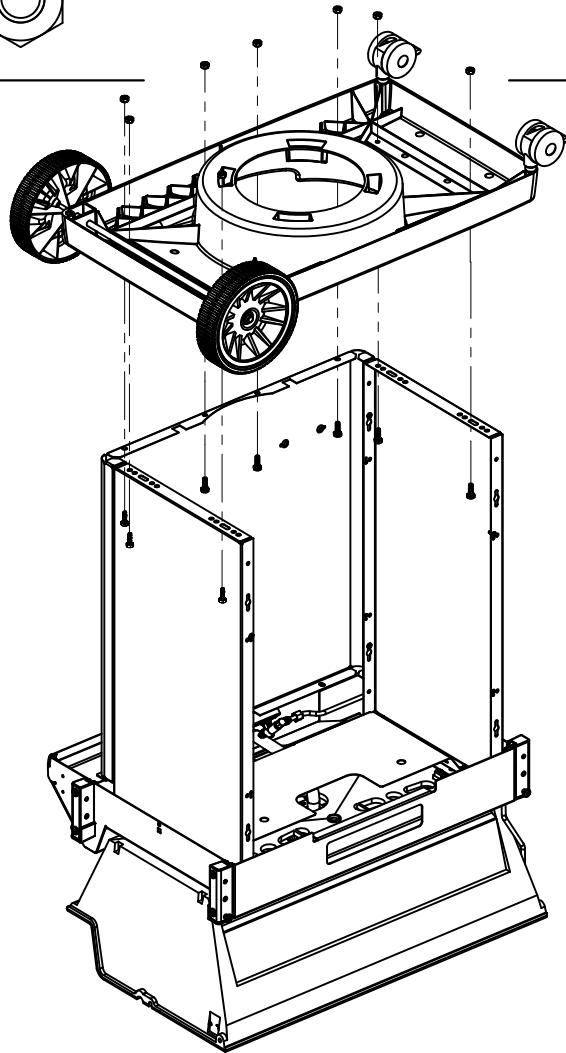


3

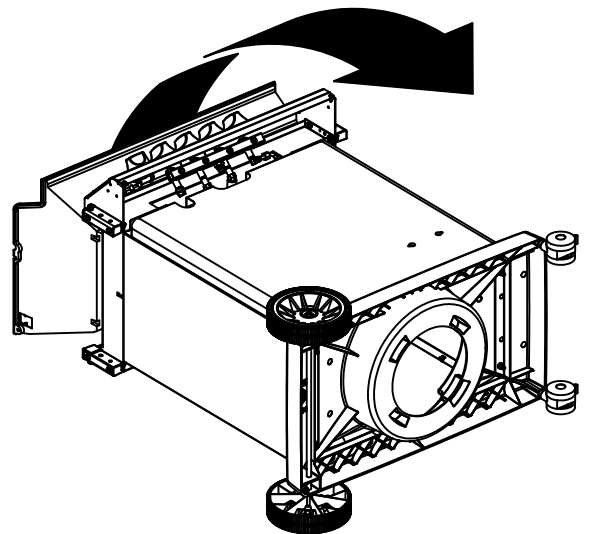
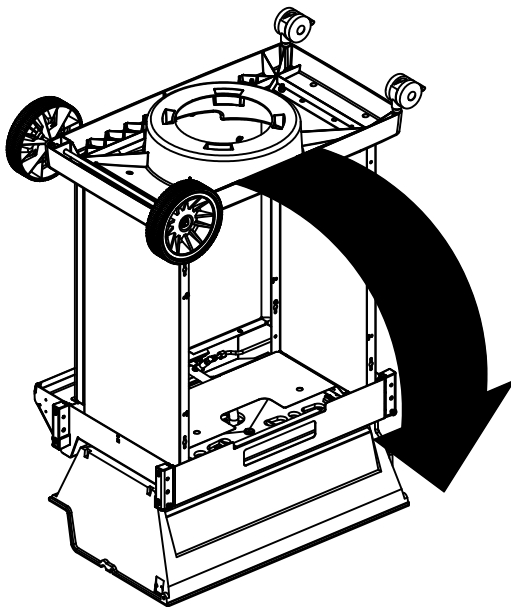
(4) 



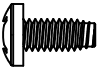
4

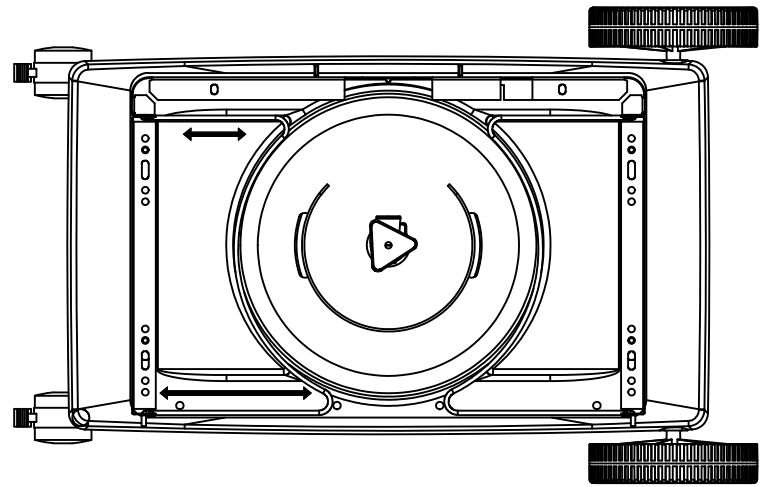
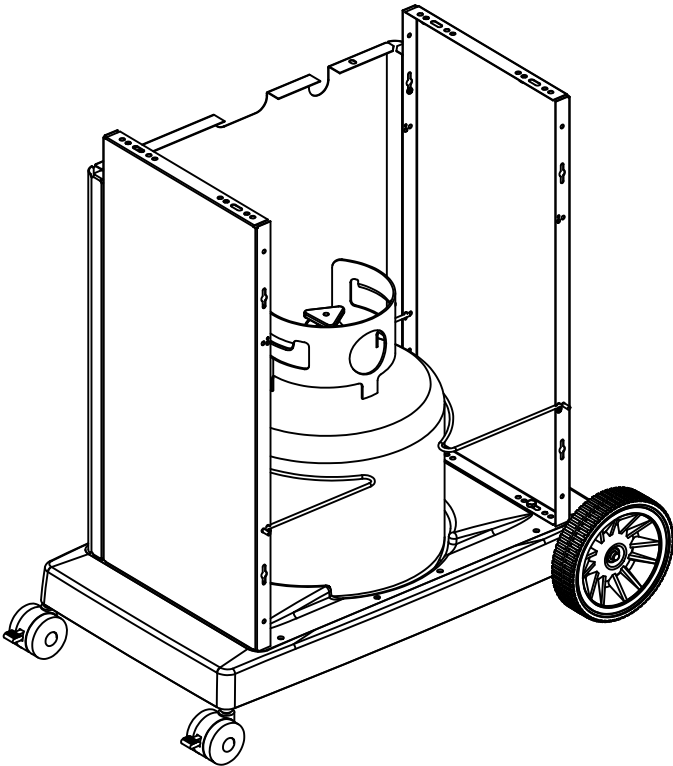
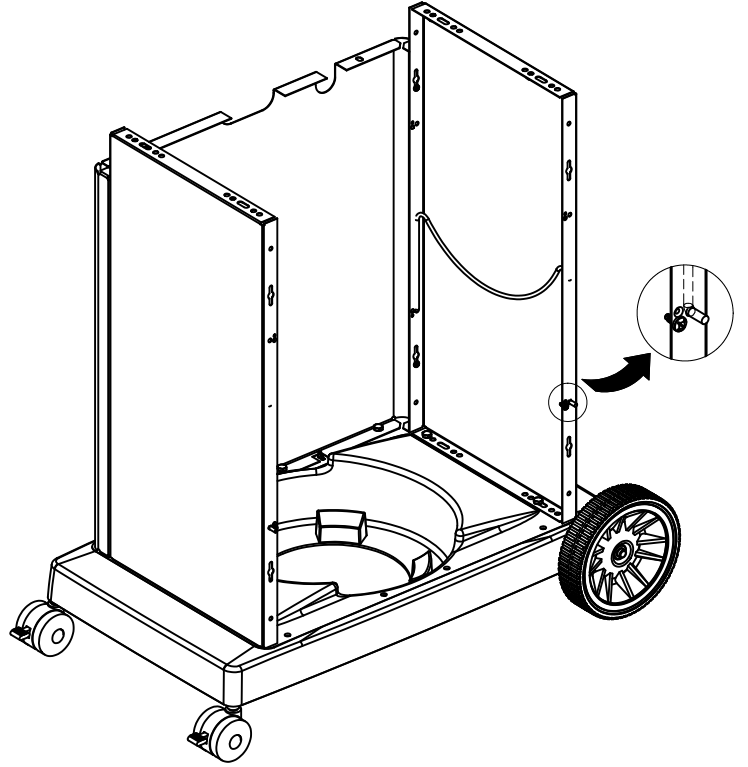
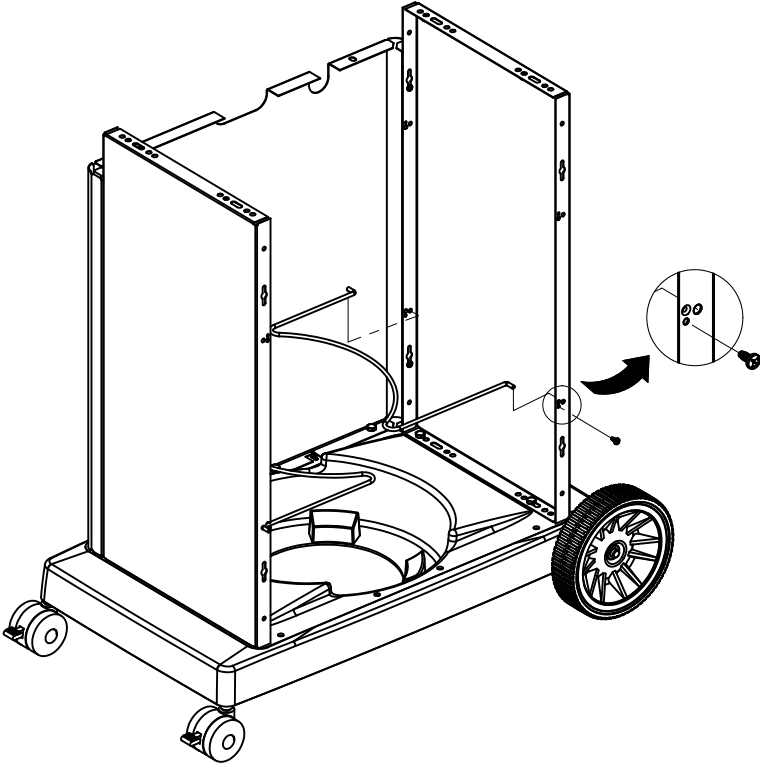


5

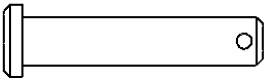
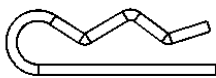


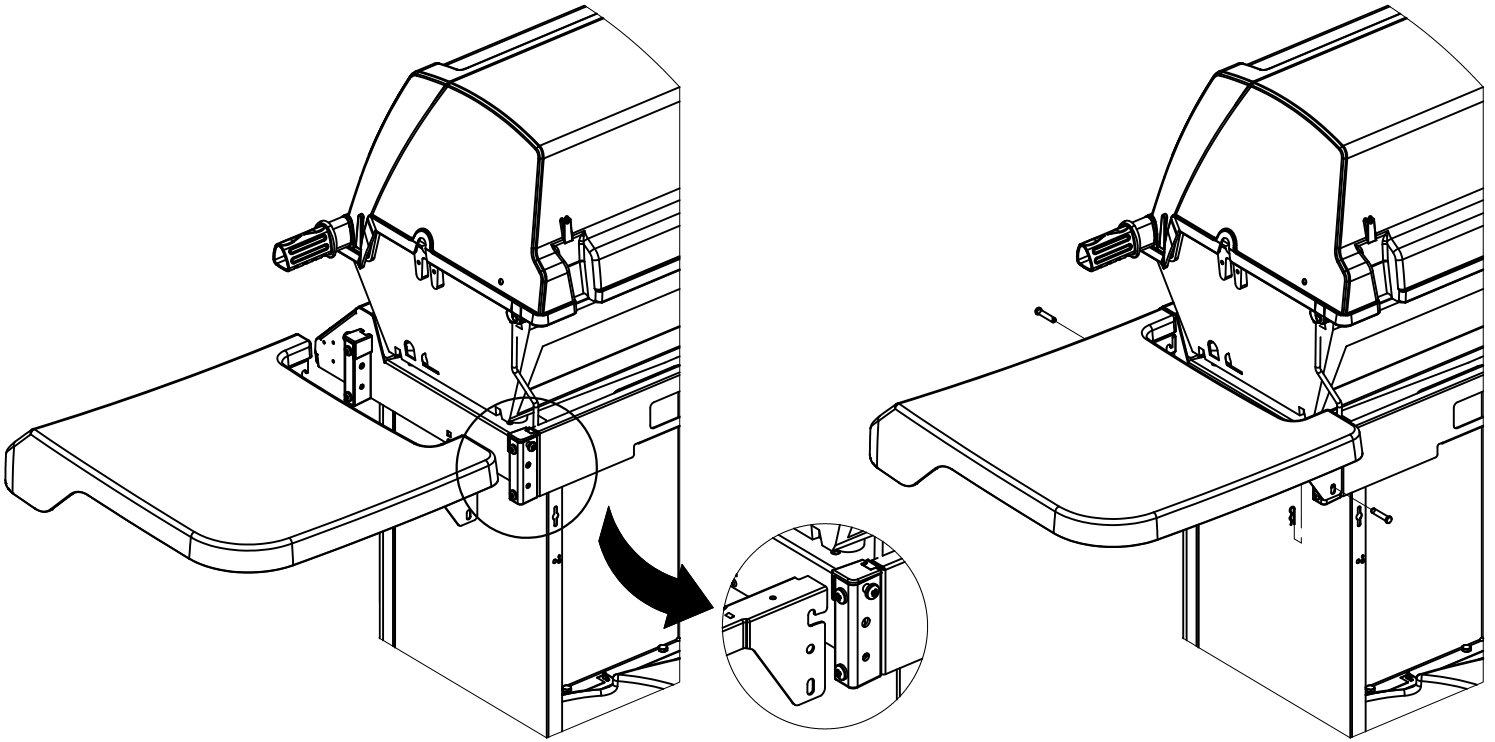
6

(2) 

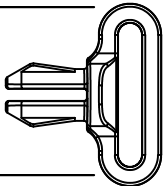


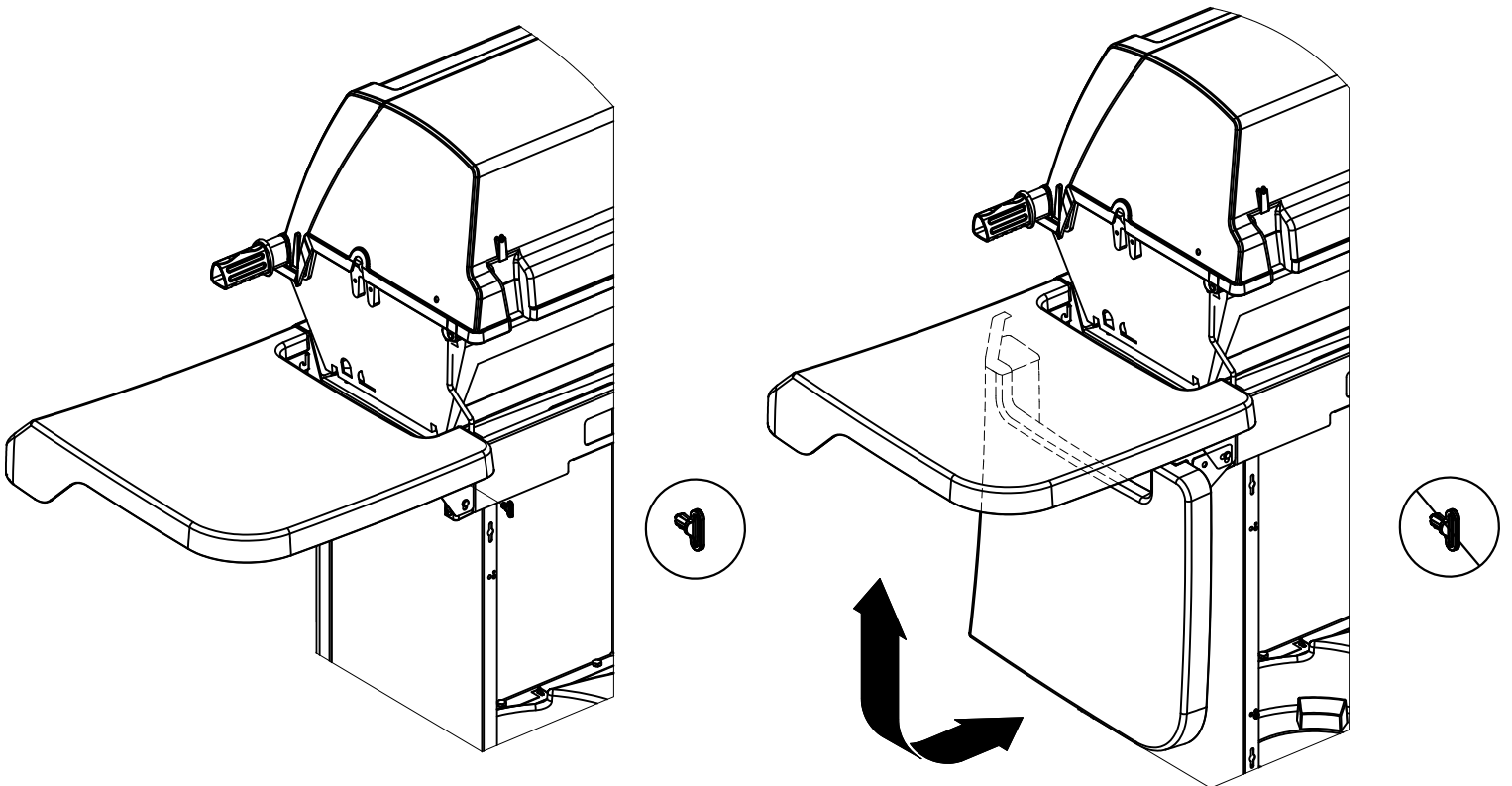
7

(2)  (2) 



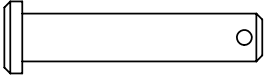
8

(1) 

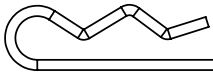


9

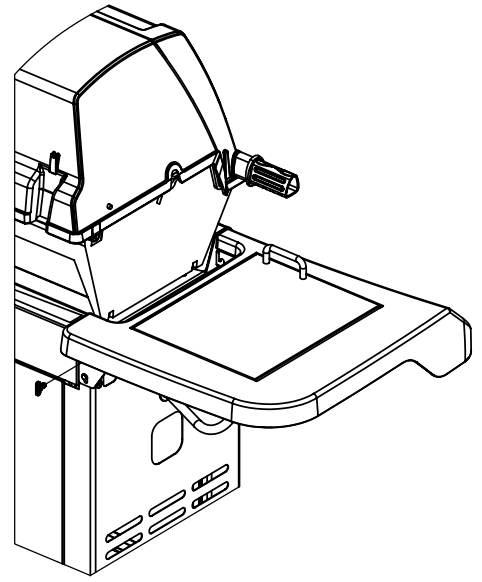
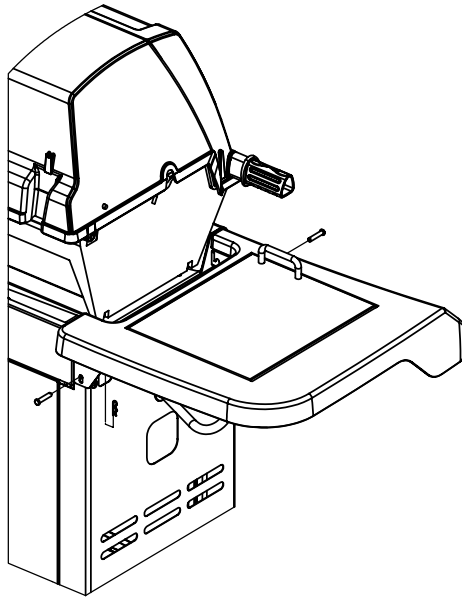
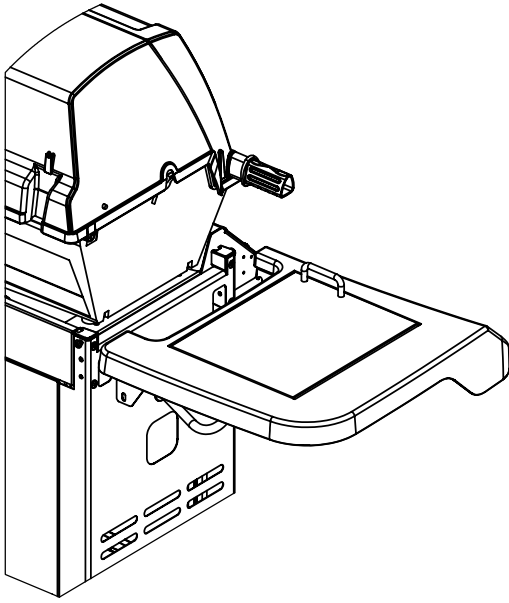
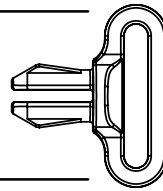
(2)



(2)

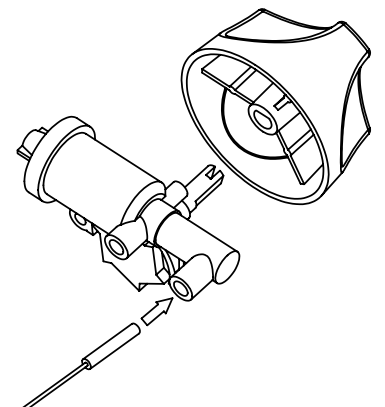
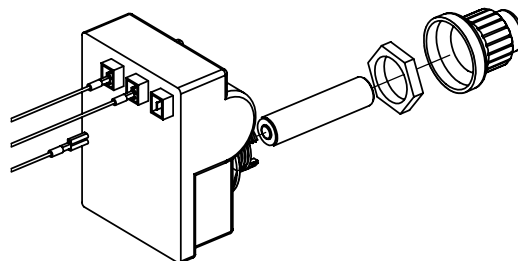
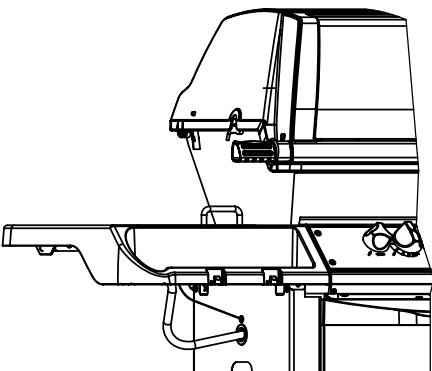
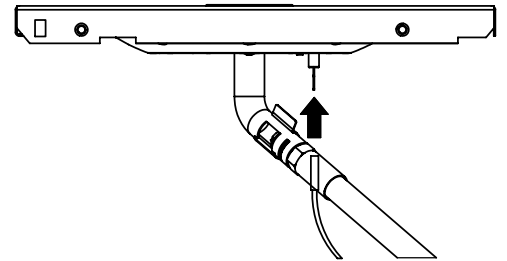
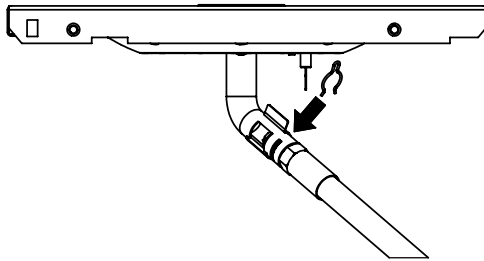
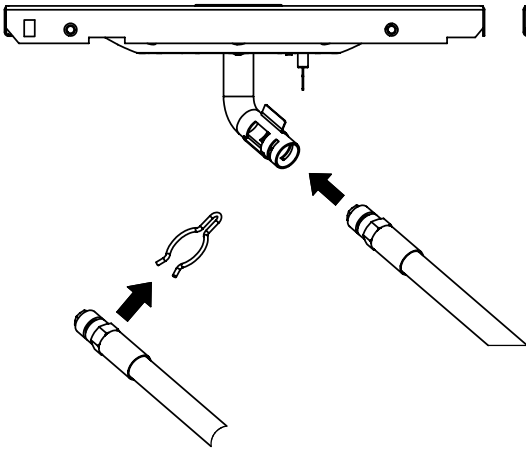
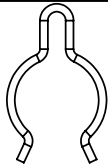


(1)



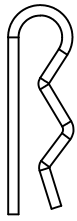
10

(1)



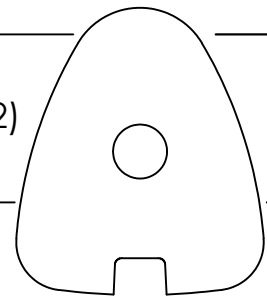
11

(2) (A)

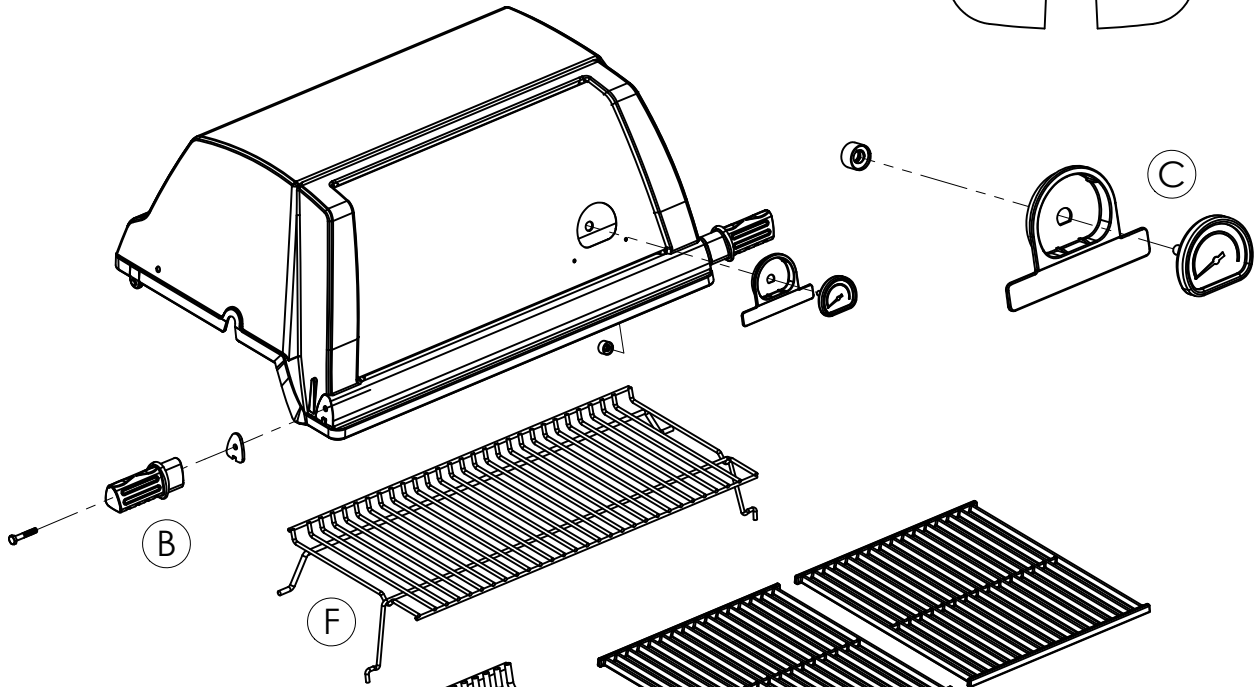


(2) (B)

(2)

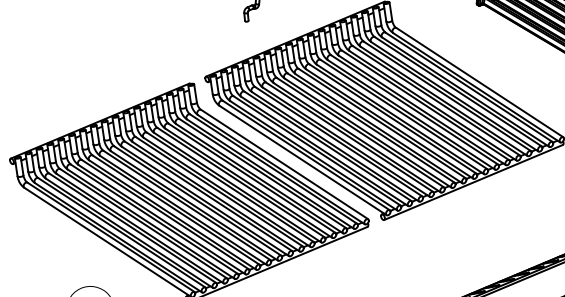


(2)

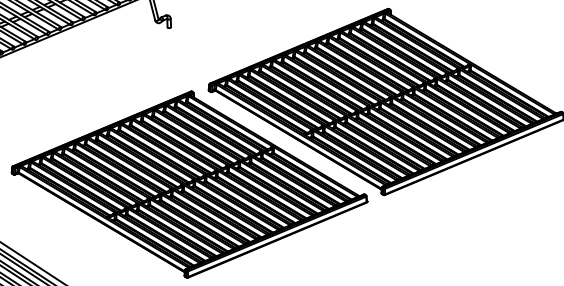


(B)

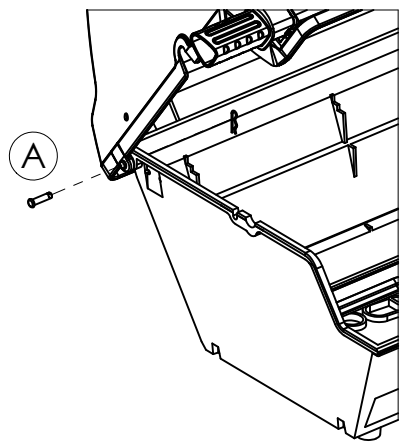
(F)



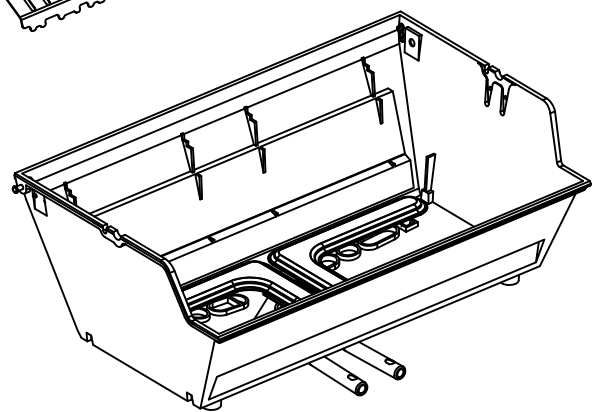
(E)



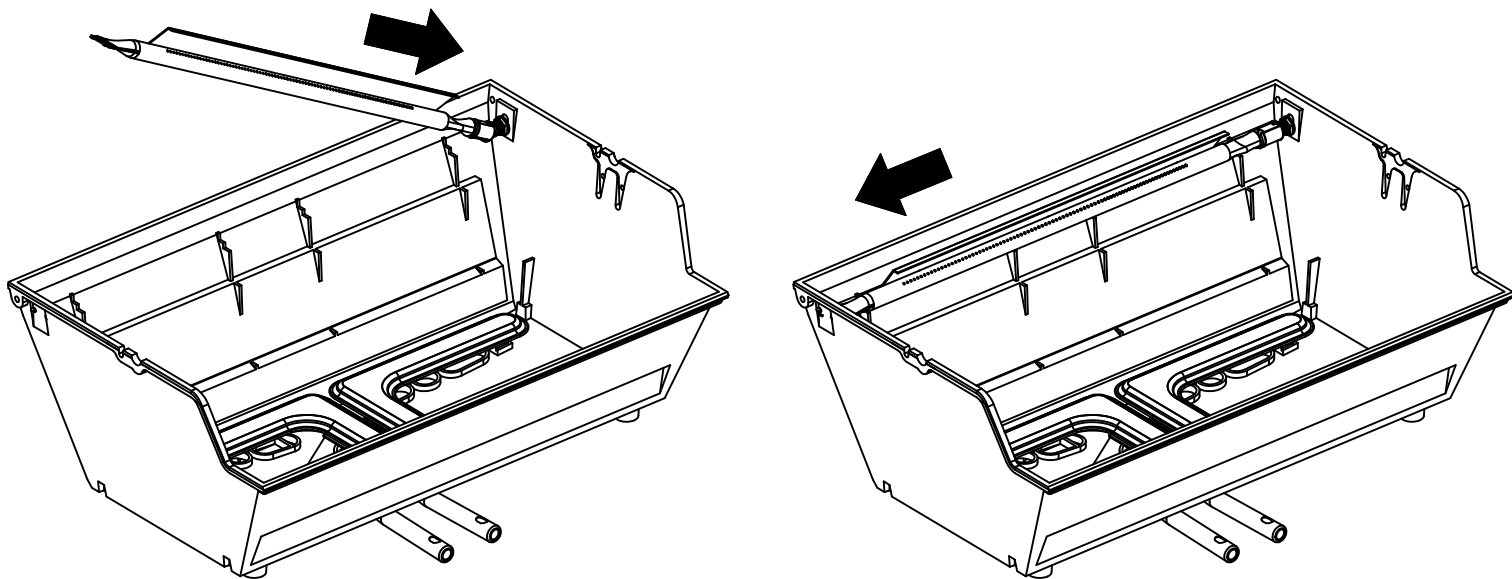
(D)



(A)



12



13

