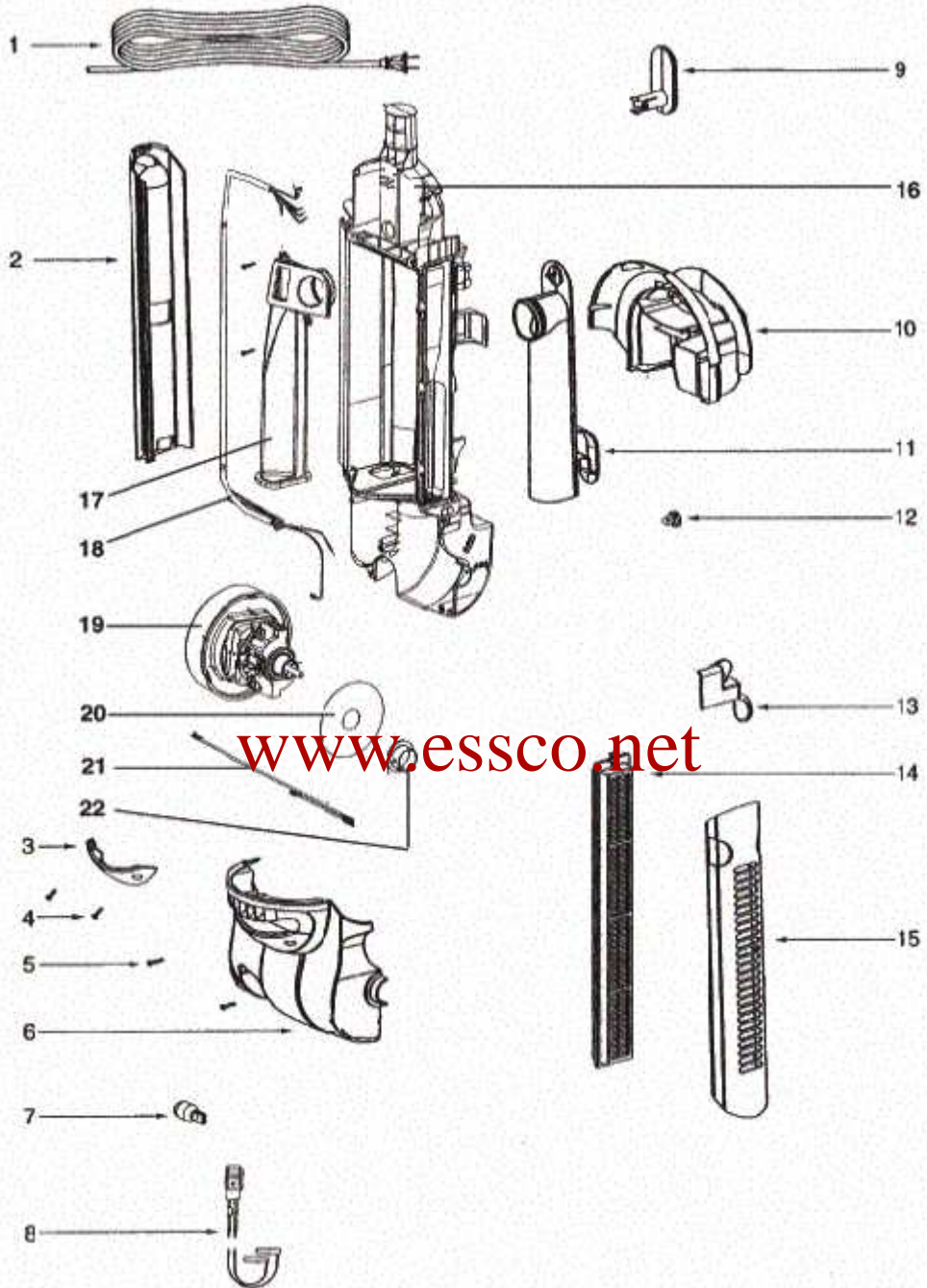


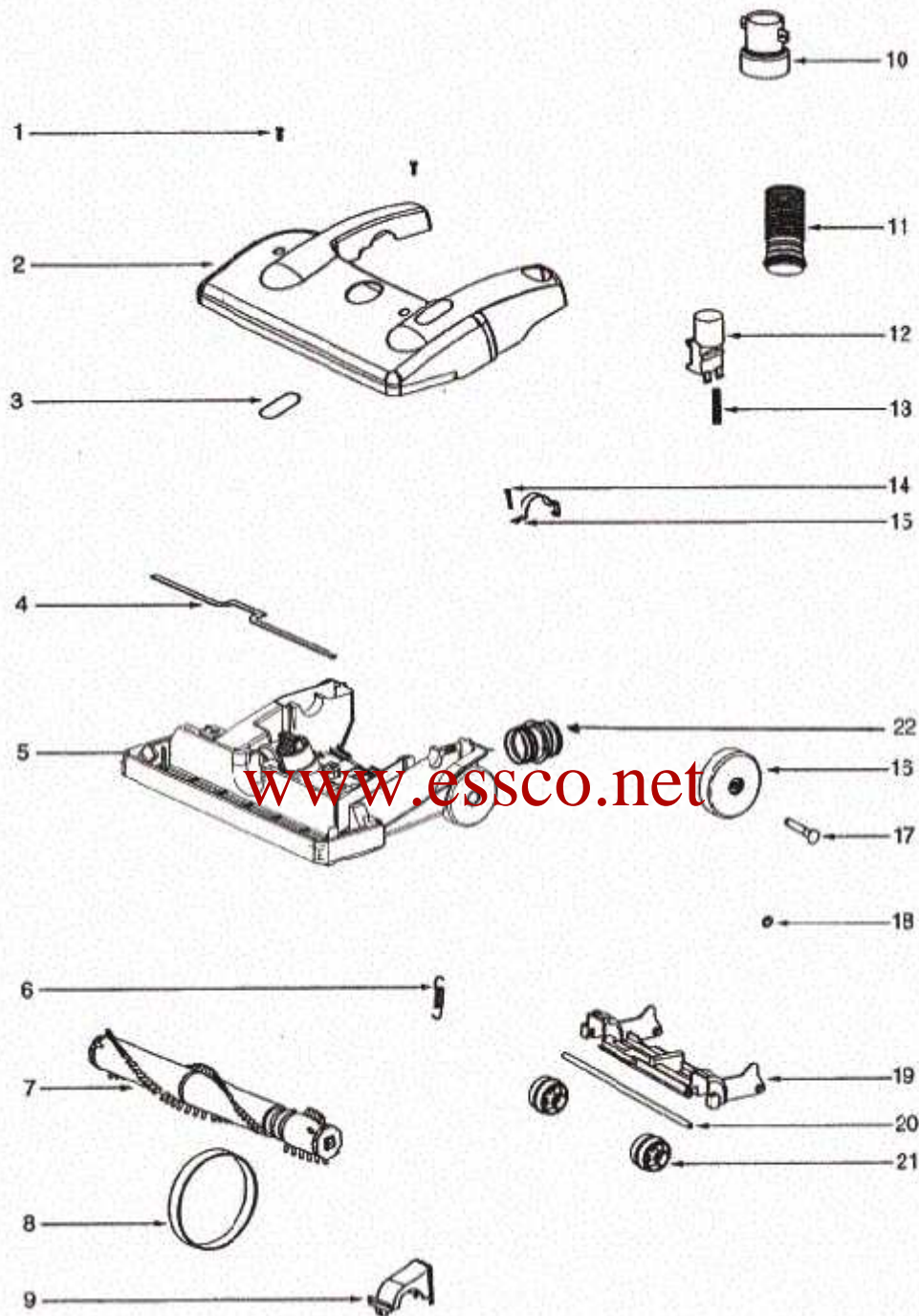


Handle and Dust Cup - HP5555A

| Ref # | Part | Description | Comments | Qty |
|-------|------------|----------------------------|-----------------------|-----|
| 1 | 39435-1 | HANDLE ASSEMBLY | | |
| 2 | 61542-1 | DUST CUP ASSEMBLY - CARTO | | |
| 3 | 71152A-3 | PLENUM ASSEMBLY | | |
| 4 | 39455-1 | SWITCH - ROCKER | | |
| 5 | 60160 | SCREW PACKAGE 10 | | |
| 6 | 71116-3 | TOP HOUSING ASSEMBLY | Includes items 5 & 7. | |
| 7 | 39357-355N | LATCH | | |
| 8 | 46713-5 | TIE - CABLE (PURCHASED) | | |
| 9 | 61700 | DUST CUP FLTR (STYLED CF1) | | |
| 10 | 71114-1 | AIR DUCT ASSEMBLY | | |
| 11 | 60192-1 | WIRE SPLICE 5 | | |
| 12 | 72224-1 | FOAM - SOUND | | |

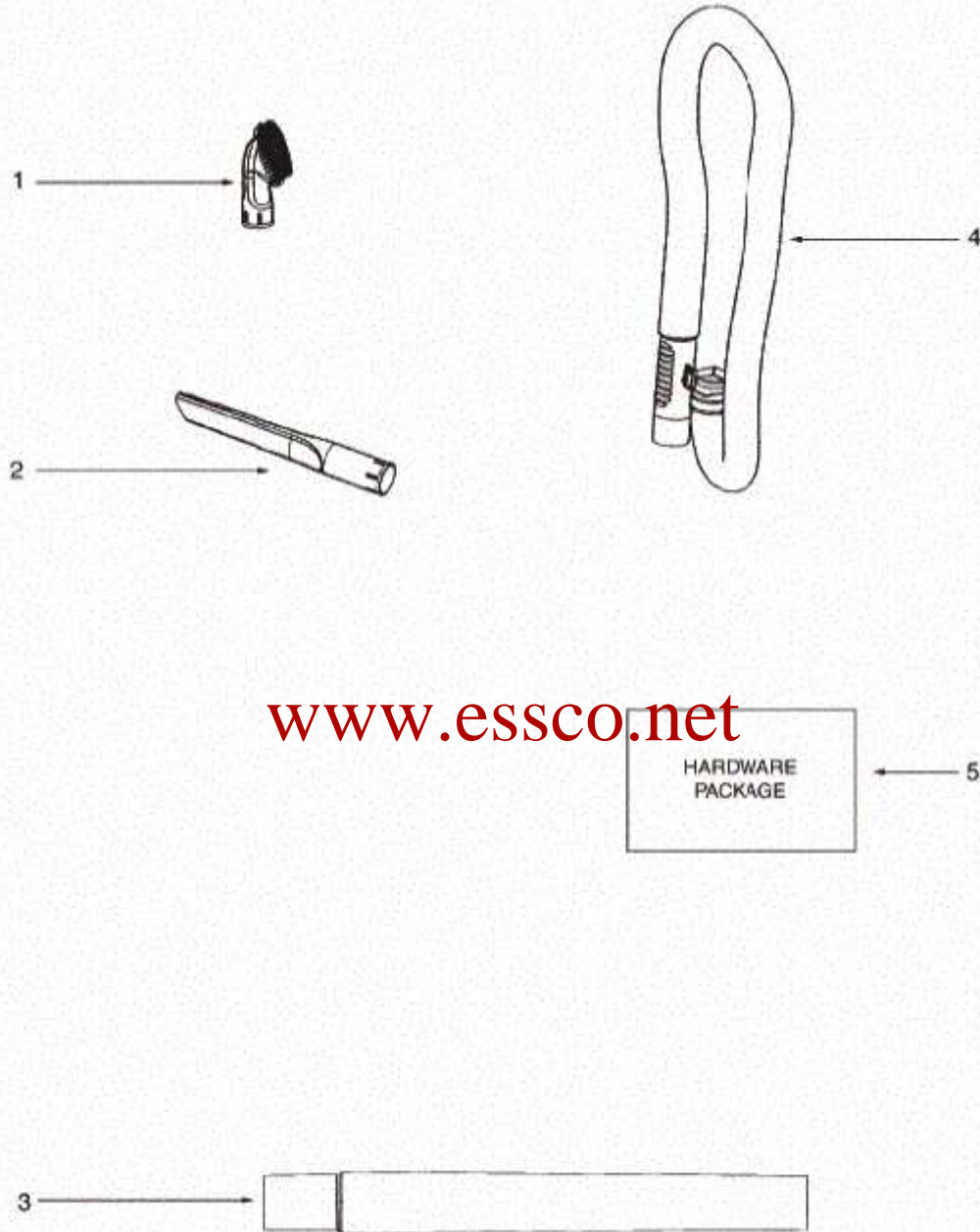


| Ref # | Part | Description | Comments | Qty |
|-------|-------------|---------------------------|-------------------|-----|
| 1 | 39585-4 | SUPPLY CORD & TERMINAL AS | | |
| 2 | 15692-357N | HOUSING - EXTENSION TUBE | | |
| 3 | 28466A-313N | LENS - MOTOR COVER | | |
| 4 | 53238-8 | SCREW PACKAGE | Pkg of 10 | |
| 5 | 53238-27 | SCREW PACKAGE | Pkg of 10 | |
| 6 | 61438-4 | MOTOR COVER ASSY - PACKAG | | |
| 7 | 57940-3 | LAMP - HEADLIGHT | | |
| 8 | 38828B-4 | HEADLIGHT ASSEMBLY | | |
| 9 | 70864A-119N | HOOK - CORD | | |
| 10 | 71113A-1 | CARRY HANDLE ASSEMBLY | Includes item 9. | |
| 11 | 61459-2 | REAR AIR TUBE | Includes item 12. | |
| 12 | 61448-1 | FASTENER PACKAGE | | |
| 14 | 61984 | HEPA FILTER - STYLE GE-1 | | |
| 15 | 61461-5 | FILTER COVER | | |
| 16 | 71149D-3 | REAR HOUSING & CLIP ASSY | | |
| 17 | 28471-3 | SUCTION TUBE & MANIFOLD A | | |
| 18 | 71237-2 | UPPER CORD ASSEMBLY | | |
| 19 | 62376-1 | MOTOR ASSEMBLY - CARTONED | | |
| 20 | 74584 | SHIELD - MOTOR | | |
| 21 | 39252-9 | THERMOSTAT & TERMINAL ASS | | |
| 22 | 27552B | GROMMET | | |
| 13 | 61457-2 | RETAINER - HOSE | | |
| | 39356A-119N | CLIP - TOOL | Not illustrated. | |
| | 71569-119N | CLIP - ADAPTER | Not illustrated. | |
| | 73699 | MOTOR SUPPORT - RUBBER | | |



Base Hood - HP5555A

| Ref # | Part | Description | Comments | Qty |
|-------|-------------|---------------------------|--|-----|
| 1 | 53238-44 | SCREW PACKAGE | | |
| 2 | 71059A-4 | HOOD ASSEMBLY | Includes item 3 | |
| 3 | 28469-313N | LENS - BELT VIEW | | |
| 4 | 58506-3 | GASKET | | |
| 5 | 60938-8 | BASE ASSEMBLY - PACKAGED | Includes items 6,16,17,18,19,20,21,22,23 & 24 | |
| 6 | 54943 | SPRING PACKAGE | Pkg of 10 | |
| 7 | 62352-2 | DISTURBULATOR ASSY - CART | | |
| 8 | 61120A | BELT PKG ASSY-STYLE U EXT | | |
| 9 | 54376-2 | BELT CAP & GASKET - PACKA | | |
| 10 | 28496-119N | CUFF- HOSE | | |
| 11 | 38479-4 | HOSE - COMPRESSION (PURCH | | |
| 12 | 28468-355N | RELEASE - HANDLE | | |
| 13 | 60133-1 | COMPRESSION SPRING - PACK | | |
| 14 | 53238-27 | SCREW PACKAGE | Pkg of 10 | |
| 15 | 38420-2 | CLAMP | | |
| 16 | 61875 | WHEEL/BUSHING PACKAGE | | |
| 17 | 38590A | AXLE - REAR | | |
| 18 | 54432-2 | PACKAGE - RETAINING RING | | |
| 19 | 14993C-119N | CARRIAGE - WHEEL | | |
| 20 | 71551-1 | FRONT AXLE | | |
| 21 | 39173A-119N | WHEEL - FRONT | | |
| 22 | 28243A-316N | ADAPTER - BASE | | |
| 23 | 28467A-355N | OPERATOR - HEIGHT ADJUSTM | Height Adjustment Knob (Not illustrated.) | |
| 24 | 72113-1 | BUSHING - AXLE | Not illustrated. | |



Accessories - HP5555A

| Ref # | Part | Description | Comments | Qty |
|-------|------------|---------------------------|---------------|-----|
| 1 | 60990-3 | COMBINATION BRSH BRSTLD-C | | |
| 2 | 28497-355N | NOZZLE - CREVICE | | |
| 3 | 71119-1 | EXTENSION TUBES ASSEMBLY | | |
| 4 | 61440-5 | HOSE ASSEMBLY - CARTONED | | |
| 5 | 71118A | PACKAGE - HARDWARE | | |
| | 73657 | | Owner's Guide | |

www.essco.net