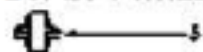


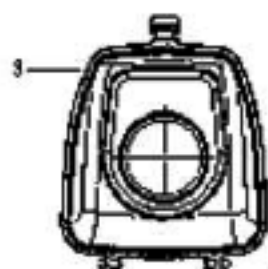
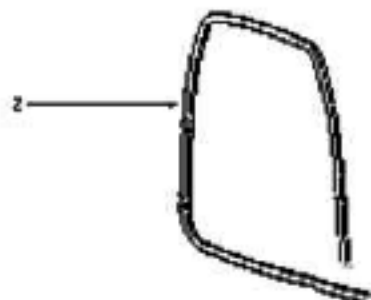
E-60487-22 HOUSING ASSY
 E-38805-1 CASTER ASSY
 E-37409-1 WHEEL & HUB ASSY



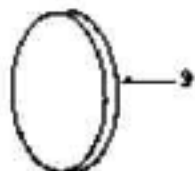
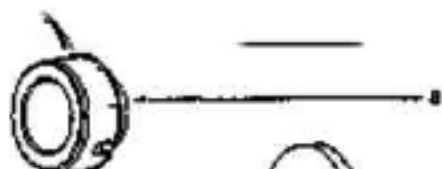
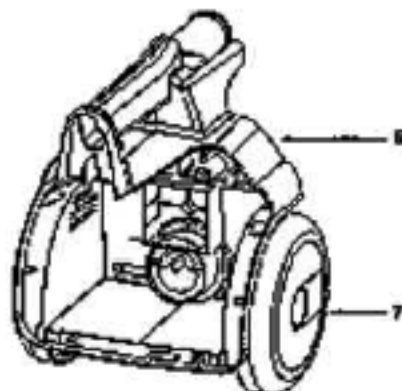
E-38805-1 CASTER ASSY
 E-37409-1 WHEEL & HUB ASSY



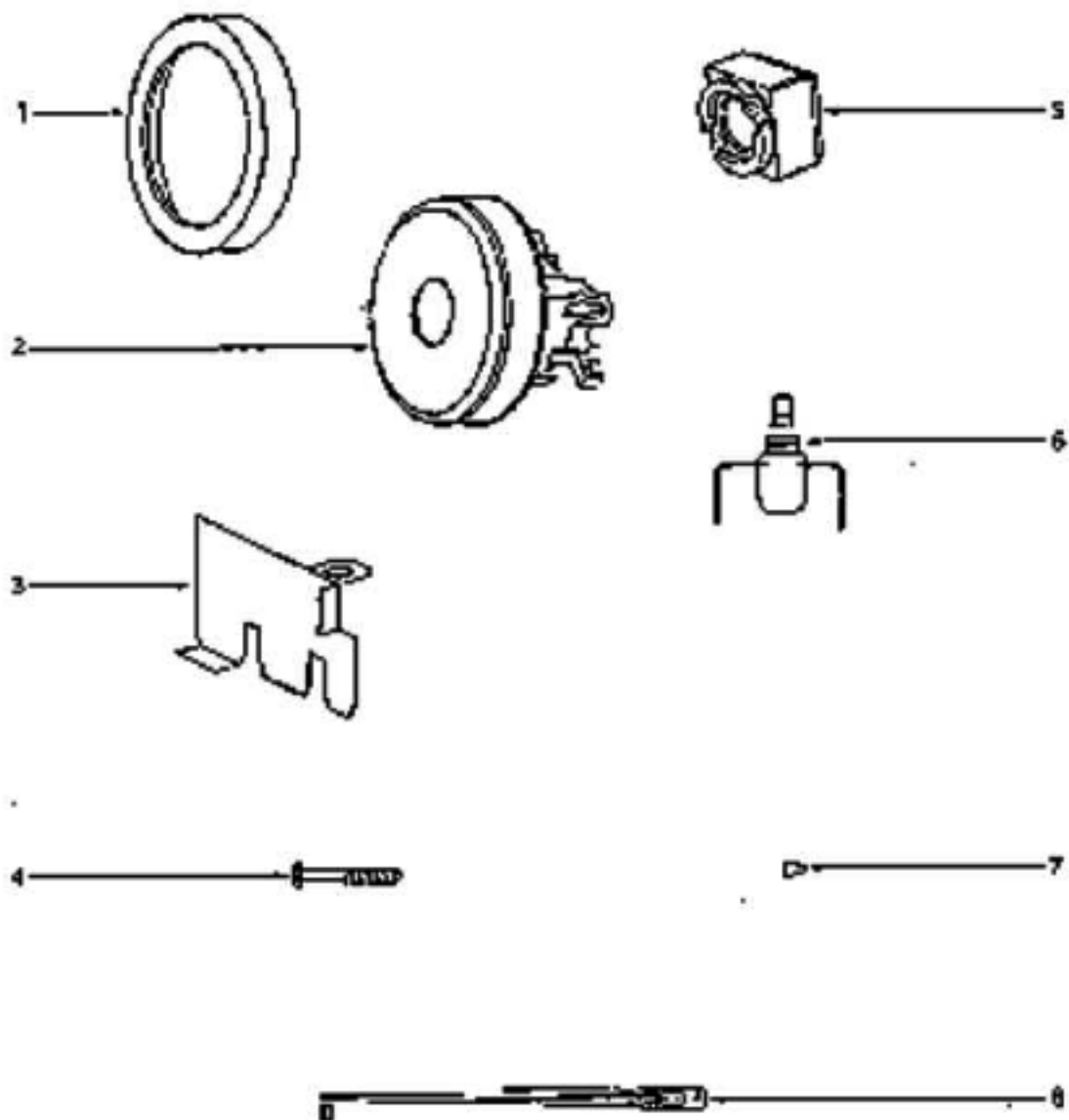
E-28008B-1 REAR HOUSING ASSY
 E-15409A-119N REAR WHEEL



E-38956-1SV FRONT COVER ASSY
 E-59046-1 FRONT COVER GASKET



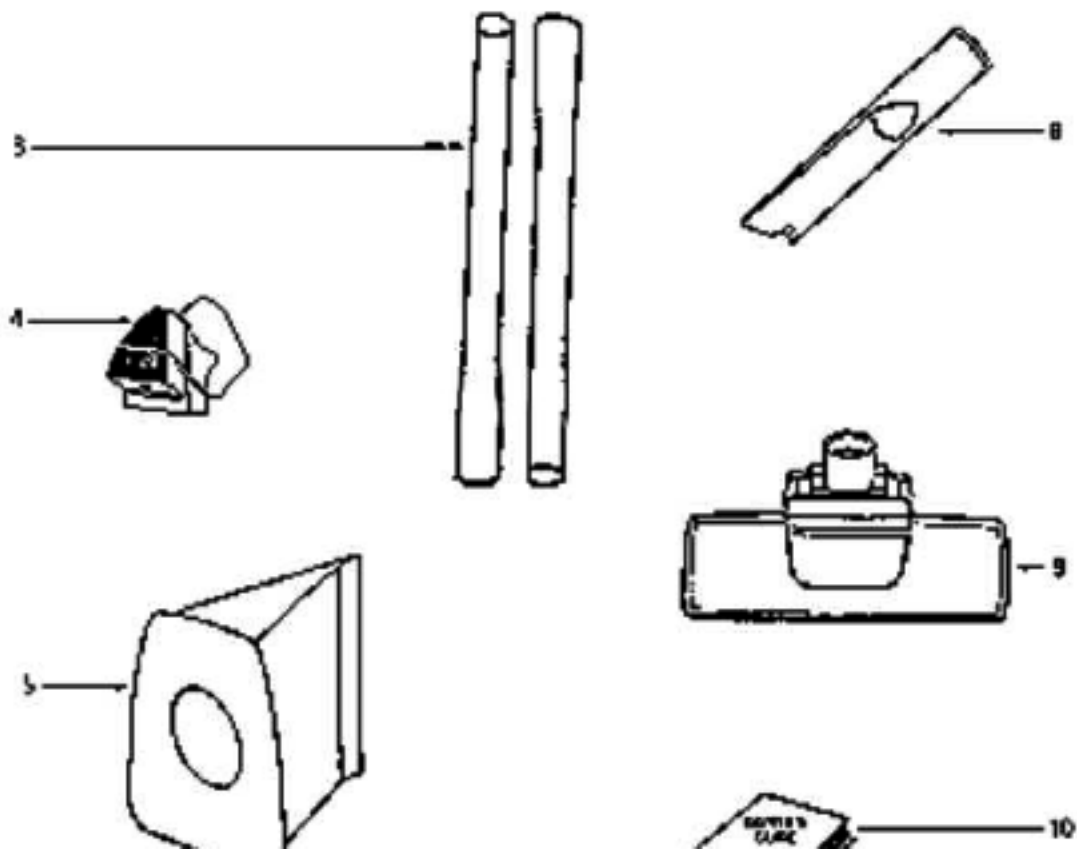
| Ref# | Part | Description | Comments | Qty |
|------|---------------|---------------------------|----------|-----|
| 1 | E-15409A-119N | WHEEL - REAR | | |
| 2 | E-27964-119N | EXTENSION TUBE | | |
| 3 | E-28008B-1 | REAR HOUSING ASSEMBLY | | |
| 4 | E-37409-1 | WHEEL - CASTER | | |
| 5 | E-38333 | FILTER | | |
| 6 | E-38805-1 | CASTER ASSEMBLY | | |
| 7 | E-38956-1SV | FRONT COVER ASSEMBLY | | |
| 8 | E-59046-1 | GASKET - FRONT COVER | | |
| 9 | E-60487-22 | HOUSING ASSEMBLY - PACKAG | | |



| Ref# | Part | Description | Comments | Qty |
|------|------------|---------------------------|----------|-----|
| 1 | E-27832 | BUSHING - MOTOR | | |
| 2 | E-28032 | GASKET - MOTOR MOUNTING | | |
| 3 | E-28304A-2 | SWITCH - PUSHBUTTON | | |
| 4 | E-39028 | SHIELD - WIRE | | |
| 5 | E-39408-1 | THERMOSTAT & TERMINAL ASS | | |
| 6 | E-39409-1 | SUPPLY CORD & TERMINAL AS | | |
| 7 | E-60192-1 | WIRE SPLICE 5 | | |
| 8 | E-60610 | SCREW PKG | | |
| 9 | E-60845-1 | MOTOR ASSEMBLY - PACKAGED | | |



1. 60289-1 HOSE ASSY COMPLETE
E-15355-119N HOSE COUPLING
E-37653-3 BLEEDER
E-26193-3 CURVED HANDLE ASSY



| Ref# | Part | Description | Comments | Qty |
|------|--------------|---------------------------|----------|-----|
| 1 | E-14070-3 | WAND - STRAIGHT | | |
| 2 | E-15355-119N | COUPLING - HOSE | | |
| 3 | E-26193-3 | CURVED HANDLE ASSEMBLY | | |
| 4 | E-26708-119N | TOOL - CREVICE | | |
| 5 | E-37653-3 | BLEEDER | | |
| 6 | E-39134-6 | DELUXE FLOOR NOZZLE ASSEM | | |
| 7 | E-60289-1 | HOSE ASSEMBLY - CARTONED | | |
| 8 | E-60295A | PAPER BAG PKG ASSY (3MM) | | |
| 9 | E-61037 | COMBINATION TOOL - PACKAG | | |
| 10 | E-70181 | OWNERS GUIDE | | |