

This Owner's Manual is provided and hosted by [Appliance Factory Parts](#).



CHAMPION WC49 Owner's Manual

[Shop genuine replacement parts for CHAMPION WC49](#)

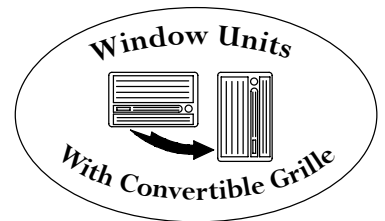


[Find Your CHAMPION Evaporative Cooler Parts - Select From 79 Models](#)

----- Manual continues below -----

CHAMPION•ESSICK

Window Evaporative Cooler Manual



Convertible Kit Not Shipped With Cooler
Available Upon Request At No Additional Cost

Manual Control Units

WC37 • N37W

WC44 • N44W

WC46 • N46W

WC50 • N50W

Remote Control Units

RWC35 • RN35W

RWC46 • RN46W

RWC50 • RN50W



Circle the model of your cooler and record the serial number below.

Encierre con un círculo el modelo de su enfriador y escribe el número de serie abajo.

Serial #

Número De Serie _____

Read Carefully All Of This Manual Before Installing The Unit.

Lea Con Cuidado Todo Este Manual Antes De Instalar La Unidad.

Read And Save These Instructions

Vea el Español en el interior

Evaporative Cooling

Evaporative cooling is nature's way of cooling. When air is moved over a wet surface, water is evaporated and heat is absorbed. When stepping out of a swimming pool with the wind blowing, evaporative cooling makes you feel cool, even though the air may be warm. The human body itself is cooled primarily by the evaporation of perspiration.

This unit works on the same principle. Air is drawn across wet filter pads where the air is cooled by evaporation and then circulated throughout the building. It is this combination of cooled air and the movement of air over the skin which makes it feel cool.

Unlike refrigeration systems which recirculate the air, an evaporative cooler continually brings in fresh air while exhausting old air. You are completely replacing the air every 2 to 4 minutes by opening windows or doors or a combination of both. The air is always fresh, not stale, laden with smoke and odors as happens with refrigerated air conditioning.

Safety Rules

1. Read these instructions carefully.
2. Unit must be in the **Off Position** and **Unplugged** from power receptacle when installing or performing any maintenance.
3. This cooler will run on 120 volt A.C., 60 Hz (cycle) current only.
4. Motor and pump are grounded and have an automatic thermal overload switch which will shut motor off when it overheats. The motor will restart automatically when it cools down.
5. Pump receptacle is for grounded evaporative cooler pump only. Do not plug anything else into receptacle.

⚠WARNING: To reduce the risk of fire or electric shock, do not use this fan with any "solid-state fan speed control device."

Operation

Manual Control Units

- **Pump setting.** The rotary switch has 6 settings. The “Pump” setting will operate the pump without the blower. For best results turn the switch to “Pump” for a few minutes to wet the pads before operating the fan.
- **High and low cool settings.** The “High Cool” and “Low Cool” settings operate both the pump and the blower. Turn the unit to “Low Cool” when possible. This lower speed allows the air to stay longer in the wet pads and therefore increases it’s cooling efficiency.
- **High and low vent settings.** The “High Vent” and “Low Vent” settings operate the blower without the pump. This is useful on cool nights or at times when just a fan is desired.

Remote Control Units

These units may be controlled using the 3 buttons on the front panel of the cooler or with the remote control.

- **PUMP button.** Pressing this button toggles the pump on and off. When the LED is lit, the pump is running. For best results turn on the pump for a few minutes to wet the pads before operating the fan. The pump must be on while operating the fan for cooling. You may also want the pump turned off at times when just a fan is desired.
- **FAN button.** Pressing this button will cycle the fan through High Speed / Low Speed / Off. The LED’s on the front of the control indicate whether the fan is on high speed, low speed or off (no LED’s lit). **Note: There will be a 2 second delay between a button press and the operation of the fan.**
- **ON/OFF button.** Pressing this button while the pump or fan is on will turn everything off. Pressing it again while in the off state will return the fan and pump to their previous operating settings. When first plugging in the cooler or after power has been interrupted, pressing the On/Off button will start the cooler in the default state which is with the pump on and the fan on high.
- **Remote Control.** To operate the cooler with the remote you must be within 20 feet and in sight of the cooler. Aim the remote at the front panel. The buttons on the remote control have the same functions as the buttons on the front panel of the cooler. The remote uses two AAA alkaline batteries which are included. A holder for mounting on a wall is also included with the unit.

Open Windows To Exhaust Air

An often misunderstood concept of evaporative cooling is the amount of air that should be exhausted. How much should you open your windows? The fact is that most people do not open their windows enough. The following method will help you determine the amount to open your windows.

Champion Air Balancing Method

1. Take a piece of tissue paper and cut it lengthwise into 3 equal strips.
2. Turn your cooler on High Cool.
3. Open one window at least six inches wide in each room that you want to cool.
4. Take the piece of tissue paper and put it up against the screen of the open window furthest from the cooler discharge opening. Let go of it. It will do one of three things.

IF It falls down.
THEN CLOSE all of the windows one inch and try step 4 again.

IF It plasters itself to the screen.
THEN OPEN all of the windows one inch and try step 4 again.

IF It stays on the screen lightly.
THEN PERFECT. You are done. Enjoy your cooler.

Notes:

- When switching to Low Cool, you must rebalance your home. Repeat step 4.
- Once you balance your home you can cool some areas more than others by opening those windows more and closing the others by the same amount. Repeat step 4 to make sure your home is still air balanced.

Cooler Installation

Installing House Legs

- **NOTE: If installing unit without the use of the installation kit, omit these directions and those pertaining to Fig. 2.**
- Remove two corner screws in the bottom pan (A-Fig 1).
- Place the house leg bracket in the corner of the bottom pan, using the two top holes in the bracket (B-Fig 1). Replace the two previously removed screws to hold the house leg bracket in place (As shown by dotted house leg bracket).
- Refer to the instructions “Adjust house legs” below for adjusting the house legs.

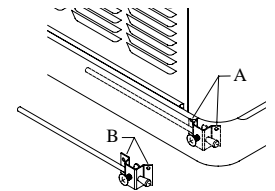


Fig. 1

Mounting Cooler

⚠CAUTION: Make sure that the mounting surface is strong enough to support the operating weight of the cooler when in use. (For operating weight, see Specification Table.)

⚠CAUTION: Never plug in cooler until installation is complete and unit has been tested for rigidity.

- **Lift out all removable louvered sides.**
- **Screw chain hooks into window facing.** Position the two chain hooks above the neck of the cooler a distance equal to the width of the cooler apart (A-Fig. 2). Hook one hanger chain in each hook and then one “S” hook in the other end of each chain.

- **NOTE:** The chain hooks supplied with this mounting kit are for use in wood. Additional anchors can be purchased at your local hardware store for anchoring in other types of materials such as concrete or brick.

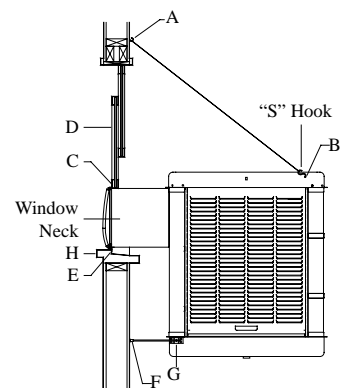


Fig. 2

- **Install window panel retainers.** Place two panel retainer strips onto bottom of neck flange and position to the width of the window. Cut the strips to fit if necessary. These strips hold the window fill-in panels (Fig. 3).

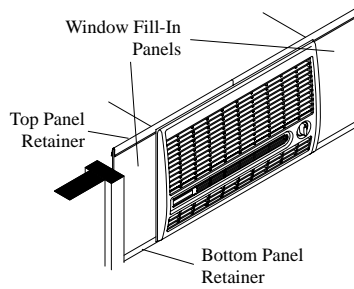


Fig. 3

- **Position cooler in window.** Position neck of cooler so that bottom of neck flange rests on window sill and flange (E-Fig. 2) is snug against edge of sill (H-Fig. 2). With cooler in position, hook the "S" hooks into the holes of the top pan near the back of the cooler (B-Fig. 2).
- **Break fill-in panels to fit.** With cooler installed, as described above, measure for each window fill-in panel and score with sharp knife and straight edge guide to desired width. To break window fill-in panels, the panel should be laid over the edge of a straight flat surface at the point to be broken off. Apply pressure on the edge of the panel that extends over the edge of the surface and break off unwanted piece.
- **Install fill-in panels.** Place one window fill-in panel on each side of grill and into panel retainer strip at bottom of grill. Place the other panel retainer strips onto top of neck flange and fill-in panels. Be sure the panels are snug up against cooler neck.
- **Place window behind retainer strip.** Raise back of cooler so that the window (D-Fig. 2) may be brought down behind top of panel retainer strip (C-Fig. 2).
- **Level Cooler.** Adjust the chains to level the cooler.
- **Adjust house legs.** Pull out house legs so that the rubber bumpers rest against house siding (F-Fig. 2). Tighten screw in retaining collar. (G-Fig. 2).

Connecting Water

- **Install overflow assembly.** Remove nut and place nipple through the hole in the pan, with the rubber washer between the pan and the head of the drain nipple (Fig. 4). Screw on nut and draw up tight against bottom of pan. Insert overflow pipe in nipple to retain water. Overflow pipe may be removed to drain pan when necessary. A garden hose may be screwed on the drain nipple to drain water away from your unit.
- **Connect water supply line.** Install a sillcock and water valve on faucet as shown by figure 5. Place the nut and ferrule on the tubing and tighten the nut until water tight.

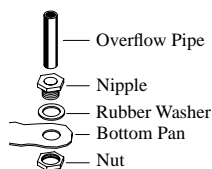


Fig. 4

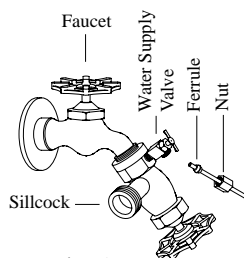


Fig. 5

- **Install float valve.** Install valve in the provided hole in corner post (Fig. 6) and attach water supply line.
- **Fill pan.** Allow water to fill to within 1" of the top of the overflow pipe and adjust float to maintain this water level. This can be accomplished by bending the float rod (Fig. 6).

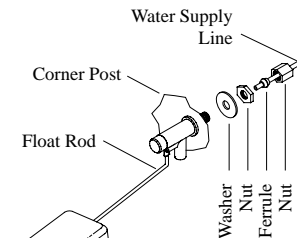


Fig. 6

Maintenance

⚠WARNING: Before doing any maintenance be sure power is off and unit is unplugged. This is for your safety.

Spring Start-Up

- **Oil bearings.** The blower bearings and cooler motor in this unit should be oiled with a few drops of non-detergent 20/30 weight oil once each year. The motor does not need oil if it has no oil lines for oiling. Motors that have no oil lines are lifetime oiled at the factory and require no further oiling for the life of the unit.

⚠CAUTION: Do not over oil.

Over oiling can cause motor burn out, due to excessive oil getting into motor winding.

- **Check belt tension.** A 3 lb. force should deflect the belt 3/4 inches (see Fig. 7). Readjust belt if needed.

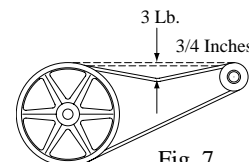


Fig. 7

- **Clean pump.** Cleaning the pump is necessary once a year at start-up. For your safety, turn unit off and unplug from power receptacle. Remove the pump from the mount slot. Remove the base of the pump as shown in Fig. 8. Clean the pump and turn the impeller to ensure free operation. Remove the pump spout and check for any blockage. After cleaning, reinstall the base onto the pump. Press firmly to make sure it is secure. Reattach the pump to the mount in the cooler using the plastic retainer to ensure that the pump will not overturn. Do not forget to replace the spout and water delivery tube onto the pump outlet.

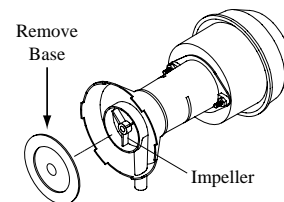


Fig. 8

- **Replace Pads.** Aspen pads should be replaced once or twice a season, depending upon the length of the season. At the beginning and at mid season a clean pad is more absorbent and efficient and will deliver substantially more cool air.

Winter Shut Down

- **Drain water.** Always drain all of the water out of the cooler and water supply line when not in use for prolonged periods, and particularly at the end of the season. Keep the water line disconnected from both the unit and water supply so that it does not freeze.
- **Cover unit.** To protect the life of the finish, a cover for the unit is suggested in extended periods of non use.

- **Cover grill.** To help keep out cold air you can use the optional plastic grill cover. This cover may be purchased from your local distributor. To install the cover, line up the grill cover with the grill so that the tabs on the cover will slide over the center section of the grill. Slide the grill cover onto the grill. The tabs will snap into place. To remove, just pull the grill cover straight forward away from the grill.

- **Unplug unit from power supply during extended periods of non-use.**

By following the operating, installation, and maintenance suggestions as outlined, you can get many years of efficient and satisfactory service from your cooler. In the event additional information is desired, your dealer will be more than glad to assist you in every possible way.

Vertical Duct Conversion

This window unit can be reconfigured to a vertical tunnel configuration for installation into smaller width openings. Follow the subsequent steps if this is desired. **Note: Tunnel mount strips used to convert tunnel are not shipped with this cooler. If desired, call Customer Service at 1-800-643-8341 to have it shipped to you at no cost.**

1. Remove the 9 screws from the sides and bottom of the tunnel.
2. Remove the top 4 middle screws of the top pan while holding the tunnel in place (Fig 9). Be careful not to drop the tunnel, or damage to the electric cords could occur. You may need to loosen other screws in the top pan to make it easier to remove the tunnel.
3. Rotate the tunnel 90 degrees counter-clockwise (Fig 10). Be careful as you rotate the tunnel that you don't damage or disconnect the cords which are still connected to the controls and the front panel.

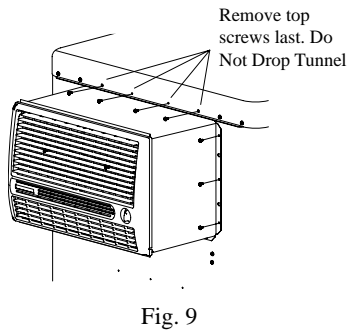


Fig. 9

4. Insert the flange of the tunnel between the front panel and the top pan. Line up the two larger holes in the tunnel with the center two holes of the top pan. (Fig 11).
5. Using the screws taken from the top pan, secure the tunnel to the unit. Do not tighten the screws, leave them loose until the rest of the tunnel has been secured.
6. Line up the three holes at the bottom of the tunnel with the holes in the front panel. Using the screws taken from the bottom of the tunnel previously, secure the tunnel to the front panel.
7. Make sure all the screws removed from the top pan are in place and tighten all screws.
8. Skip this step for the RWC35 & RN35W models. Remove the three screws (2 in models WC37 & N37W) from each side of the front panel as shown in figure 12.

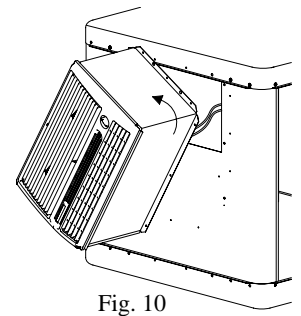


Fig. 10

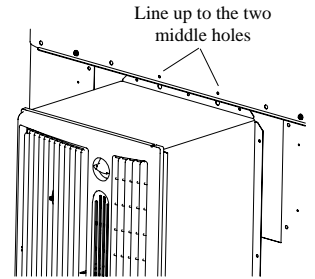


Fig. 11

CAUTION: Make sure that you do not remove the bottom most screw. It holds the blower housing in place.

9. To cover up the gap in the front panel, use the two strips of metal obtained from Customer Service. Line up the holes in the metal strips to the holes in the front panel and secure them with the screws previously removed in step 8. (See Fig. 12) Install the metal strips so that there is no gap between the top pan and the metal strip. If there is a gap, turn the metal strip around.

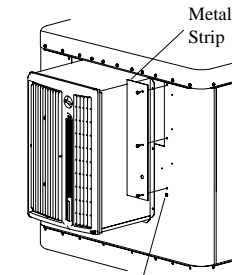
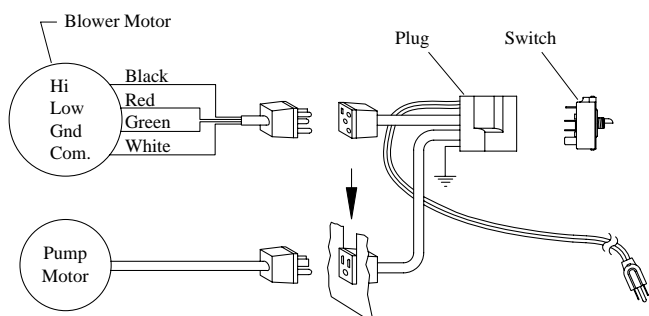


Fig. 12

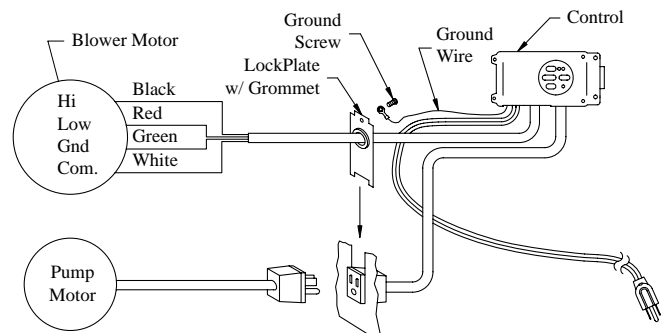
NOTE: When mounting a cooler with this type of vertical tunnel configuration, the unit should be supported by a flat support or stand. The installation method mentioned in the owner's manual using chains and legs should not be used. The filler panels in the installation kit may be used to seal off the window above the cooler duct.

Wiring Diagrams

Manual Control



Remote Control



Troubleshooting

<u>Problem</u>	<u>Possible Cause</u>	<u>Remedy</u>
Failure to start or no air delivery	<ol style="list-style-type: none"> No electrical power to unit <ul style="list-style-type: none"> Fuse blown Circuit breaker tripped Electric cord unplugged or damaged Belt too loose or tight Motor overheated <ul style="list-style-type: none"> Belt too tight Blower bearings dry Motor locked 	<ol style="list-style-type: none"> Check power <ul style="list-style-type: none"> Replace fuse Reset breaker Plug in cords or replace if damaged Adjust belt tension Determine cause of overheating <ul style="list-style-type: none"> Adjust belt tension Oil blower bearings Replace motor
Inadequate air delivery with cooler running	<ol style="list-style-type: none"> Insufficient air exhaust Belt too loose Pads plugged 	<ol style="list-style-type: none"> Open windows or doors to increase air flow Adjust belt tension or replace if needed Replace pads
Inadequate cooling	<ol style="list-style-type: none"> Inadequate exhaust in house Pads not wet <ul style="list-style-type: none"> Pads plugged Open spots in pads Trough holes clogged Pump not working properly 	<ol style="list-style-type: none"> Open windows or doors to increase air flow Check water distribution system <ul style="list-style-type: none"> Replace pads Repack pads Clean trough and unplug holes Replace or clean pump (Unplug unit)

<u>Problem</u>	<u>Possible Cause</u>	<u>Remedy</u>
Motor cycles on and off	<ol style="list-style-type: none"> Low voltage Excessive belt tension Blower shaft tight or locked Bearings dry 	<ol style="list-style-type: none"> Check voltage Adjust belt tension Oil or replace bearings (Unplug unit) Oil bearings
Noisy	<ol style="list-style-type: none"> Bearings dry Wheel rubbing blower housing Loose parts 	<ol style="list-style-type: none"> Oil bearings Inspect and realign (Unplug unit) Tighten loose parts
Excessive humidity in house	<ol style="list-style-type: none"> Inadequate exhaust 	<ol style="list-style-type: none"> Open doors or windows
Musty or unpleasant odor	<ol style="list-style-type: none"> Stale or stagnate water in cooler Pads mildewed or clogged Pads not wetting properly <ul style="list-style-type: none"> Trough holes clogged Pump not working properly 	<ol style="list-style-type: none"> Drain pan and clean pads Replace pads Check water distribution system <ul style="list-style-type: none"> Clean Replace or clean pump (Unplug unit)
Water draining from cooler	<ol style="list-style-type: none"> Float arm not adjusted properly Overflow assembly leaking 	<ol style="list-style-type: none"> Adjust float Tighten nut and overflow pipe.

Limited Warranty

This warranty is extended to the original purchaser of an evaporative cooler installed and used under normal conditions. It does not cover damages incurred through accident, neglect, or abuse by the owner. We do not authorize any person or representative to assume for us any other or different liability in connection with this product.

Terms And Conditions Of The Warranty

For Eight Years from date of purchase, we will replace the original base assembly if water leakage should occur due to rust out.

For One Year from date of purchase, we will replace any original component provided by Champion Cooler which fails due to any defect in material or factory workmanship only.

Exclusions From The Warranty

We are not responsible for replacement of cooler pads. These are disposable components and should be replaced periodically. We are not responsible for any incidental or consequential damage resulting from any malfunction.

We are not responsible for any damage received from the use of water softeners, chemicals, descale material, plastic wrap, or if a motor of a higher horsepower than what is shown on the serial plate is used in the unit.

We are not responsible for the cost of service calls to diagnose cause of trouble, or labor charge to repair and/or replace parts.

For limited warranty to be valid the evaporative cooler must be maintained per the Maintenance Section of this manual.

How To Obtain Service Under This Warranty

Contact the Dealer where you purchased the evaporative cooler. If for any reason you are not satisfied with the response from the dealer, contact the Customer Service Department: 5800 Murray Street, Little Rock, Arkansas 72209. 1-800-643-8341. Email: info@championcooler.com.

This limited warranty applies to the original purchaser only.

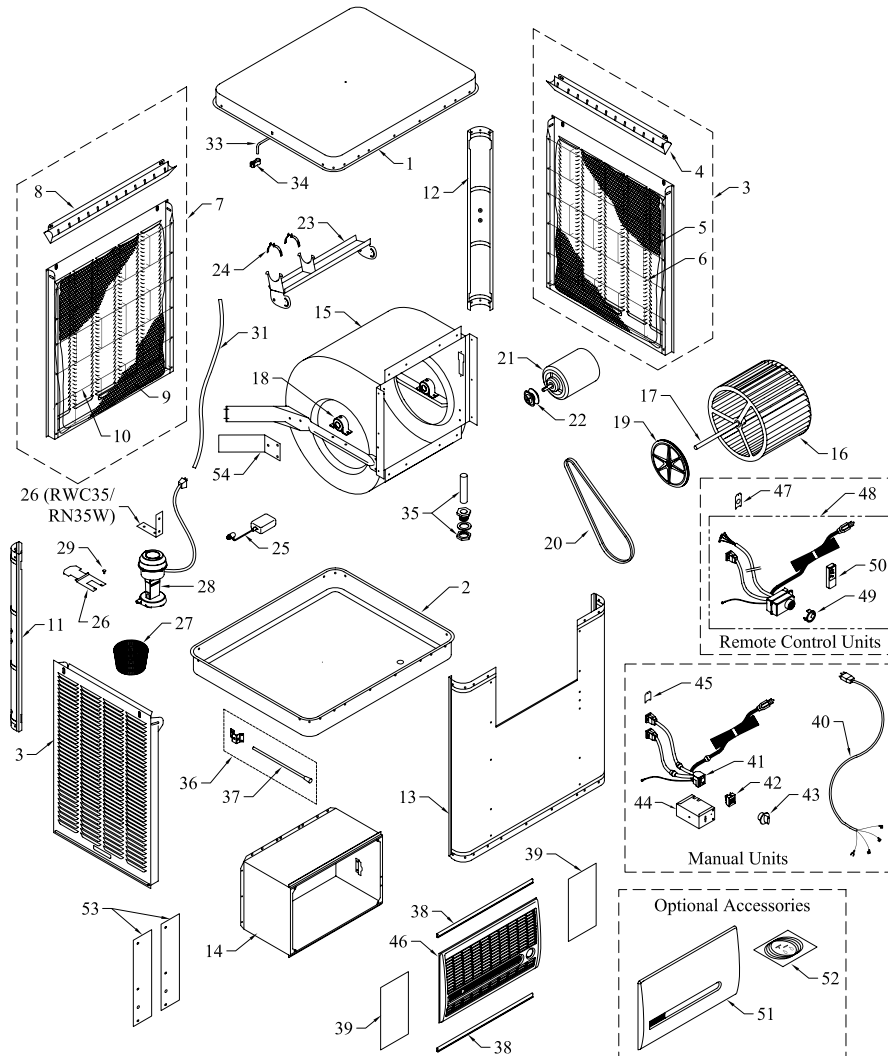
General Specifications / Especificaciones Generales

Model No. <i>Modelo</i>	Weight (lbs.) <i>Peso (libras)</i>		Cabinet Dimensions (in.) <i>Dimensiones De La Caja (pulgadas)</i>			Window Opening Req'd (in.) <i>Abertura Requerida (pulgadas)</i>	
	Dry <i>Seco</i>	Operating <i>Lleno</i>	Height <i>Altura</i>	Width <i>Anchura</i>	Depth <i>Profundidad</i>	Width <i>Anchura</i>	Height <i>Altura</i>
RWC35, RN35W	113	190	30 1/2	31 1/2	21	21 3/4	14 3/4
WC37, N37W	125	202	33 7/16	28 1/8	28 1/8	21 3/4	14 3/4
WC44, N44W	137	214	34 1/2	34 1/8	28 1/2	21 3/4	14 3/4
WC46, N46W RWC46, RN46W	152	246	34 1/2	34 1/8	34 1/8	21 3/4	14 3/4
WC50, N50W, RWC50, RN50W	155	249	34 1/2	34 1/8	34 1/8	21 3/4	14 3/4

Motor Specifications / Especificaciones Del Motor

Model No. <i>Modelo</i>	Motor Part # <i>Motor - N°</i>	HP <i>CV</i>	Speed <i>Velocidad</i>	Volts <i>Voltios</i>	Motor Pulley Part # <i>Polea Del Motor - N°</i>	Drive Belt Part # <i>Banda - N°</i>
RWC35, RN35W	110442	1/3	2	115	110271	110226 (4L-480)
WC37, N37W	110445	1/3	2	115	110271	110211 (4L-450)
WC44, N44W	110445	1/3	2	115	110272	110215 (4L-560)
WC46, N46W RWC46, RN46W	110445	1/3	2	115	110272	110215 (4L-560)
WC50, N50W RWC50, RN50W	110447	1/2	2	115	110273	110215 (4L-560)

Parts Drawing / Dibujo De Piezas



Replacement Parts List / Lista De Piezas De Repuesto

When ordering parts, please be sure to furnish the following information on all orders. Failure to do so may delay your order. /
 Al pedir piezas, incluya toda la información siguiente con su pedido. El no proporcionar toda esta información resultará en una demora.

1. Cooler Model No. / Modelo de la unidad
2. Cooler serial number / Número de serie de la unidad
3. Description and part number / Descripción y número de pieza
4. Date of purchase / Fecha de compra

No. N°	Description / Descripción	RWC35, RN35W	WC37, N37W	WC44, N44W	WC46, N46W RWC46, RN46W WC50, N50W RWC50, RN50W
1.	Top Pan / Tapa.....	322175-001	222903-001	222905-001	220901-003
2.	Bottom Pan / Base De La Caja.....	222175-002	222904-003	222903-006	220902-002
3.	Louvered Side Assembly / Montaje De Reja Lateral.....	324006-107 (2)	324006-303 (3)	324006-106 (2)	324007-205 (3)
4.	Water Trough, Side / Canal De Agua, Lateral.....	226004-001 (2)	226003-001 (3)	226003-001 (2)	226003-002 (3)
5.	Aspen Pads, Side / Filtros De Paja, Lateral.....	110084 (2)	110091 (3)	110094 (2)	110098 (3)
6.	Pad Retainer, Side / Soporte Para El Filtro, Lateral.....	3PW-16 (6)	3PW-3 (9)	3PW-3 (6)	3PW-5 (9)
7.	Louvered Back Assembly / Montaje De Reja Posterior.....	324006-108	See/Vea #3	324007-205	See/Vea #3
8.	Water Trough, Back / Canal De Agua, Posterior.....	226004-002		226003-002	
9.	Aspen Pads, Back / Filtros De Paja, Posterior.....	110083		110098	
10.	Pad Retainer, Back / Soporte Para El Filtro, Posterior.....	3PW-15		3PW-5 (3)	
11.	Corner Post, With Float Hole / Poste De Esquina, Con Agujero Para Flotador.....	224018-002	224003-022	224003-032	224003-032
12.	Corner Post, For Pump Mount / Poste De Esquina, Para Montar La Bomba.....	224018-001	224003-046	224003-047	224003-047
13.	Front Panel / Panel Delantero.....	224175-001	224106-007	224103-006	224105-004
14.	Tunnel / Túnel (Cuello Del Enfriador).....	322120-001	322120-001	322120-001	322120-001
15.	Blower Housing / Caja De La Rueda.....	324175-002	324104-009	324103-007	324105-006
16.	Blower Wheel / Rueda.....	110765	12BW	15BW	16BW
17.	Shaft, Blower Wheel / Eje De La Rueda.....	110179	110182	110182	110183
18.	Bearings, Blower Wheel Shaft / Cojinetes Del Eje De La Rueda.....	110351-001 (2)	110351 (2)	110351 (2)	110351 (2)
19.	Pulley, Blower Wheel / Polea De La Rueda.....	110270	110274	110275	110275
20.	Drive Belt / Correa.....	110226	110211	110215	110215
21.	Motor / Motor.....	110442*	110445*	110445*	*
22.	Pulley, Motor / Polea Del Motor.....	110271	110271	110272	*
23.	Motor Mount / Montura Del Motor.....	320175-001	314003-001	314003-025	314003-024
24.	Motor Mount Clips / Seguros Para Montar Motor.....	314005-001	314005-001	314005-001	314005-001
25.	Float Valve / Válvula Del Flotador.....	FL-C	FL-C	FL-C	FL-C
26.	Pump Mount / Montura De La Bomba.....	222175-005	218001-031	218001-031	218001-031
27.	Pump Screen / Malla Para La Bomba.....	281001-001	281001-001	281001-001	281001-001
28.	Pump / Bomba.....	110436	110436	110436	110436
29.	Pump Retainer / Sujetador De La Bomba.....	110714	110714	110714	110714
31.	Tube, Water Delivery / Tubo De Agua.....	310716	310716	310716	310716
33.	Water Distributor Assembly / Sistema Del Distribuidor De Agua.....	3D-15	3D-2	3D-3	3D-10
34.	Holder, Water Distributor / Soporte Para El Distribuidor De Agua.....		110574 (3)	110574 (3)	110574 (6)
35.	Over Flow Assembly / Montaje De Desagüe.....	3OA-1	3OA-1	3OA-1	3OA-1
36.	House Leg Collar Assembly / Montaje De Collar De La Pata.....	3HL-3 (2)	3HL-1 (2)	3HL-1 (2)	3HL-1 (2)
37.	House Leg / Pata.....	310811 (2)	310811 (2)	310811 (2)	310811 (2)
38.	Retainers, Window Panels / Guarda De Retención Para Los Paneles.....	110599 (4)	110599 (4)	110599 (4)	110599 (4)
39.	Window Panels / Paneles De Relleno Para La Ventana.....	110603 (2)	110603 (2)	110603 (2)	110603 (2)
40.	†Electrical Cord, Motor / Cable Eléctrico Del Motor.....		110364†	110364	110372†
41.	†Wiring Harness / Cableado Eléctrico.....		110375†	110375	110375†
42.	†Switch / Interruptor.....		110425†	110425	110425†
43.	†Knob, Switch / Perilla Del Interruptor.....		110839-006†	110839-006	110839-006†
44.	†Switch Box / Caja Para El Interruptor.....		222006-001†	222006-001	222006-001†
45.	†Lockplate, Manual Units / Placa De fijación, Unidades De Control Manual.....		222007-001†	222007-001	222007-001†
46.	†Grill Assembly, Maunual Units / Rejilla Completa, Control Manual.....		110839-1†	110839-1	110839-1†
46a.	‡Grill Assembly, Remote Units / Rejilla Completa, Control A Distancia.....	110839-2‡	110839-2‡	-	110839-2‡
47.	‡Lockplate & Grommet, Remote Units / Placa De fijación Con Pasahilo, Control A Distancia.....	322007-004‡	322007-004‡	-	322007-004‡
48.	‡Electronic Control Assembly / Montaje De Control Electrónico.....	110400‡	110400‡	-	110400‡
49.	‡Dress Ring / Anillo Decorativo.....	110403‡	110403‡	-	110403‡
50.	‡Remote Control / Mando A Distancia.....	110401-1‡	110401-1‡	-	110401-1‡
51.	**Grill Cover / Cubierta Para La Rejilla.....	110829**	110829**	110829**	110829**
52.	**Bleed-Off Kit / Equipo De La Válvula De Desahogo.....	310586**	310586**	310586**	310586**
53.	§Mount Strips For Vertical Tunnel / Tiras De Metal Para El Conducto Vertical.....	70804§	322008-001§	322008-001§	322008-001§
54.	Blower Brace / Soporte Para La Caja De La Rueda.....	222175-003 (2)			

* See motor specification table. / Vea la tabla de especificaciones del motor.

** Optional accessories. Must be purchased separately. / Accesorios opcionales. Debe comprarlos por separados.

† For Manual Control units. / Para las unidades de control manual.

‡ For Remote Control units. / Para las unidades de control a distancia.

§ Not included with unit. Call 1-800-643-8341 to obtain this part at no additional cost. / No incluido con la unidad. Llame 1-800-643-8341 para obtener esta parte sin coste adicional.

NOTE: Standard hardware items may be purchased from your local hardware store.

NOTA: Artículos de uso corriente pueden comprarse en la ferretería de su localidad.

110496-1

Reglas De Seguridad

1. Lea las instrucciones con cuidado.
2. La unidad debe estar **Apagada y Desconectada** de la electricidad cuando se instale o haga cualquier mantenimiento.
3. Su enfriador funciona sólo con corriente alterna de 120 voltios, 60 Hz. (ciclos).
4. El motor y la bomba están conectados con la tierra, y se apagarán automáticamente en caso de sobrecalentamiento. Los motores volverán a funcionar cuando se enfrían.
5. Enchufe una bomba del enfriador evaporativo solamente y nada más al receptáculo de la bomba.

⚠ADVERTENCIA: Para reducir el riesgo de incendio o toques eléctricos, no use este ventilador con ningún “dispositivo de estado sólido para controlar la velocidad del ventilador.”

Enfriamiento Por Evaporación

El enfriamiento por medio de evaporación es la manera de la naturaleza de refrescarse. Cuando el aire se mueve sobre una superficie mojada, se evapora el agua y se absorbe el calor. Al salir de una piscina con el viento que sopla usted se siente fresco, aunque el aire puede ser caliente. El cuerpo humano sí mismo es refrescado principalmente por la evaporación del sudor.

Este enfriador funciona usando el mismo principio. El aire se traza a través de los filtros mojados donde el aire se enfría por medio de evaporación y después circula a través del edificio. Se hace frío de la sensación cuando tiene esta combinación del aire enfriado y del movimiento del aire sobre la piel.

A diferencia de los acondicionadores de aire que recirculan el aire, un enfriador evaporativo trae continuamente por dentro el aire fresco mientras agota el aire viejo. Se reemplaza completamente el aire cada 2 a 4 minutos, abriendo las ventanas o las puertas o una combinación de ambas. El aire es siempre fresco, no es viciado, cargado de humo y olores como ocurre con los sistemas de aire acondicionado a base de refrigeración.

Para Las Unidades De Control Manual

- **La posición PUMP.** El interruptor tiene seis posiciones. Ajuste el interruptor a la posición PUMP (bomba) para poner en marcha la bomba sin el ventilador. Para mejor resultado ponga en marcha la bomba por unos cuantos minutos para mojar los filtros antes de poner en marcha el ventilador.
- **Los posiciones HIGH COOL y LOW COOL.** Ajuste el interruptor a la posición HIGH COOL o LOW COOL para poner en marcha el ventilador a una alta o baja velocidad junto con la bomba. Ajuste el interruptor a la posición LOW COOL cuando posible. Esta baja velocidad del ventilador permite que el aire se queda más de largo en los filtros mojados y de tal modo produce un aire más fresco.
- **Los posiciones HIGH VENT y LOW VENT.** Ajuste el interruptor a la posición HIGH VENT (alta) o LOW VENT (baja) para poner en marcha el ventilador a una alta o baja velocidad sin la bomba. Este es útil en noches frescas o cuando se desea un ventilador solamente.

Para Las Unidades De Control A Distancia

Estas unidades pueden ser controladas con los tres botones en la rejilla por delante del enfriador o con el mando a distancia.

- **El Botón PUMP.** Al presionar este botón pondrá en marcha y apagará la bomba. Cuando está iluminada la luz LED, la bomba está en marcha. Para mejor resultado ponga en marcha la bomba por unos cuantos minutos para mojar los filtros antes de poner en marcha el ventilador. Para tener aire fresco, debe poner en marcha la bomba mientras el ventilador está en marcha. Se puede apagar la bomba cuando se desea un ventilador solamente.
- **El Botón FAN.** Este botón controla el ventilador. Al presionar este botón cuando el ventilador está apagado pondrá en marcha el ventilador a alta velocidad. La segunda prensa pondrá en marcha a baja velocidad, y la prensa siguiente apagará el ventilador. Hay luces LED por el frente del control que indica en cual estado esté el ventilador - alta velocidad, baja velocidad, o apagado (ninguna luz LED iluminada). **Nota: Habrá un retardo de dos segundos entre una prensa del botón y la operación del ventilador.**
- **El Botón ON/OFF.** Al presionar este botón mientras está encendido el ventilador o la bomba apagará todo. Al presionarlo otra vez mientras este apagado volverá el ventilador y la bomba a sus estados de funcionamiento anteriores. Cuando primero enchufe el enfriador o después de que la electricidad se haya interrumpido, presionando el botón On/Off encenderá el enfriador a su estado por defecto lo cual está con la bomba encendido y el ventilador en el estado de alta velocidad.
- **El Mando A Distancia.** Al funcionar el enfriador con el mando a distancia, debe estar no más de 20 pies a distancia y en la vista del enfriador. Apunte el mando a distancia al frente del enfriador. Los botones del mando a distancia tiene las mismas funciones que los botones en el frente del enfriador. El mando a distancia utiliza dos acumuladores alcalinos incluidos de “AAA” . Un sostenedor para montar en la pared también se incluye con la unidad.

¿Cuanto Debe Abrir Las Ventanas?

Un concepto a menudo entendido mal de enfriamiento por evaporación es la cantidad de aire que debe ser agotada. Cuánto debe usted abrir sus ventanas? El hecho es que la mayoría de la gente no abre sus ventanas bastante. El método siguiente le ayudará.

El Método De Champion De Equilibrar El Aire

1. Tome un pedazo de papel de seda y córtelo a lo largo en 3 tiras iguales.
2. Ponga en marcha a su enfriador a "High Cool".
3. Abra una ventana por lo menos seis pulgadas de ancho en cada sitio que usted desee refrescar.
4. Tome un pedazo de papel de seda y póngalo contra la pantalla de la ventana abierta más lejos de la apertura del enfriador. Suéltalo al papel de seda. Hará una de tres cosas:

SI: Se caiga.
ENTONCES: CIERRE todas las ventanas una pulgada e intente el paso 4 otra vez.

SI: Se queda contra la pantalla con fuerza.
ENTONCES: ABRA todas las ventanas una pulgada e intente el paso 4 otra vez.

SI: Se queda ligeramente contra la pantalla.
ENTONCES: PERFECTO. Se ha acabado. Goce del aire refrescante.

NOTAS:

- Al poner el enfriador a "Low Cool", usted debe reequilibrar el aire de su hogar. Repita el paso 4.
- Al equilibrar el aire de su hogar usted puede refrescar algunas áreas más que otras abriendo esas ventanas más y cerrando las otras por la misma cantidad. Repita el paso 4. Asegurarse de que el aire de su hogar sea equilibrado.

Instalación

Instalar Las Patas

- **NOTA:** Si instale la unidad sin el uso del equipo de instalación, omita las direcciones siguientes y las de la figura 2.
- Quite los tornillos de la esquina de la bandeja (A-fig. 1).
- Coloque la ménsula en la esquina de la bandeja usando los dos agujeros de la parte superior de la ménsula (B-fig. 1) y los dos tornillos que antes había quitado.
- Coloque la ménsula del otro lado de la misma manera.
- Vea la instrucción abajo de "Ajuste las patas" para ajustar las patas.

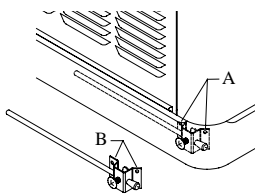


Fig. 1

Instalar El Enfriador

PRECAUCION: La superficie en que ha de colocarse el enfriador deberá aguantar el peso completo de la unidad cuando ésta está en funcionamiento. (Para saber este peso, vea la tabla de especificaciones.)

PRECAUCION: No conecte el enfriador hasta que la instalación esté completa y se haya comprobado la estabilidad del mismo.

- Quite todas las rejas de los costados.

- **Fije los ganchos en la pared.** Ponga los dos ganchos para la cadena arriba del cuello del enfriador, separados por una distancia equivalente al ancho de la unidad (A-fig. 2). Enganche una cadena en cada gancho y luego enganche un gancho "S" en cada cadena. **NOTA:** Los ganchos que vienen con ésta unidad tienen rosca de tornillo para madera y son para uso en paredes de madera. Las paredes de concreto o ladrillo requieren el uso de tuercas mariposas de suficiente fuerza o anclas con ganchos de acoplamiento.

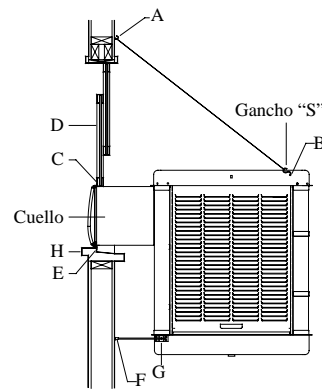


Fig. 2

- **Instale las guardas de retención.** Coloque dos guardas de retención en la parte inferior de la pestaña del cuello y ajústelas al ancho de la ventana. Corte las guardas si es necesario. Éstas sujetan a los paneles de relleno (fig. 3).

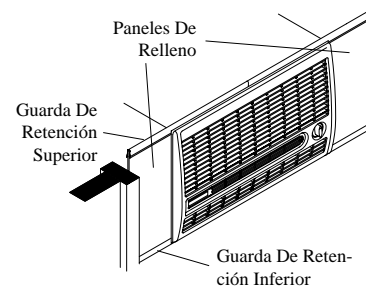


Fig. 3

- **Coloque el enfriador en la ventana.** Coloque el cuello del enfriador dentro de la ventana para que la parte inferior de la pestaña del cuello se asiente en la repisa de la ventana y la pestaña (E-fig. 2) se ajuste contra el borde de la repisa (H-fig. 2). Con la unidad situado en la ventana, enganche los ganchos "S" en los agujeros encontrado en la esquina trasera superior del enfriador (B-fig. 2).
- **Rompa los paneles de relleno.** Con el enfriador instalado según el método de arriba, mida el ancho requerido para cada panel. Marque el panel con un cuchillo filoso y una regla al ancho correcto. Apoye el panel en el borde de una superficie lisa y plana y presione sobre la parte del panel que se extienda sobre el borde de la superficie, para que se desprenda la parte sobrante.
- **Instale los paneles de relleno.** Coloque un panel de relleno a cada lado de la rejilla y dentro de la banda de retención situada en la parte inferior de la rejilla. Coloque las otras guardas de retención en la parte superior de la pestaña del cuello y los paneles de relleno. Compruebe que los paneles queden bien ajustados contra el cuello.
- **Coloque la ventana detrás de la guarda de retención.** Levante la parte trasera del enfriador para que la ventana (D-fig. 2) pueda bajarse y quedar detrás de la parte superior de la guarda de retención (C-fig. 2).
- **Nivele el enfriador.** Ajuste las cadenas hasta que el enfriador esté nivel.
- **Ajuste las patas.** Saque las patas (F-fig. 2) para que los topes de hule descansen contra el costado de la pared. Apriete el tornillo del collar (G-fig. 2).

Conectar El Agua

- **Instale el montaje de desagüe.** Quite la tuerca y pase la boquilla por el agujero de la bandeja, colocando la arandela de goma entre la bandeja y la cabeza de la boquilla (fig. 4). Coloque la tuerca en la boquilla y atornillela hasta que quede apretada contra la parte inferior de la bandeja para retener el agua. El tubo de desagüe se puede quitar para desaguar el agua de la bandeja cuando sea necesario. Se puede conectar una manguera de jardín a la boquilla para desaguar el agua hacia otra parte.

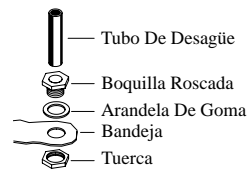


Fig. 4

- **Conecte el tubo de abastecimiento de agua.** Instale la llave de paso y la válvula de agua en el grifo de agua según indica la figura 5. Coloque la tuerca y la férula en el tubo y apriete bien la tuerca para impedir que gotee el agua.

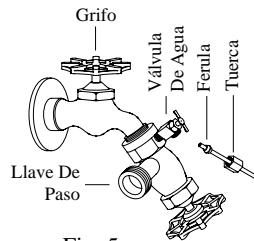


Fig. 5

- **Instale la válvula del flotador.** Instale la válvula en el agujero que se encuentra en el poste de esquina (fig. 6) y conecte el tubo de agua.

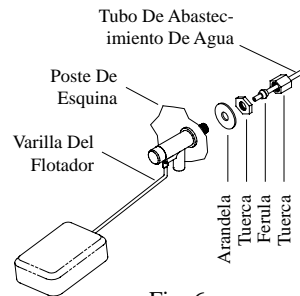


Fig. 6

- **Llene la bandeja con agua.** Permita que se llene la bandeja con agua hasta una altura de una pulgada por debajo del borde superior de la bandeja y ajuste el flotador para que mantenga este nivel. Esto se puede lograr torciendo la varilla para arriba o para abajo (fig. 6).

Mantenimiento

⚠ADVERTENCIA: Antes de hacer cualquier mantenimiento, compruebe que la unidad esté apagada y desconectada de la electricidad. Esto es por su seguridad.

Puesta En Marcha En La Primavera

- **Cambie los filtros.** Debe cambiar los filtros de paja una o dos veces durante cada temporada, según la duración de ésta. Al principio y a mediados de la temporada, un filtro limpio es más absorbente y eficiente y producirá un mayor volumen de aire frío.

- **Limpie la bomba.** Es necesario limpiar la bomba una vez al principio de cada año. Por su propia seguridad, apague la unidad y desconéctela de la electricidad. Quite el sujetador de plástico de la montura y jale la bomba, deslizándola hacia usted. Quite la base de la bomba según se muestra en la figura 7. Limpie la bomba. Dé le vuelta a la hélice para verificar que se mueve libremente. Quite el pico de la bomba y vea si está obstruido. Después de limpiar, reinstale la base en la bomba. Presiona firmemente para asegurarse de que es segura. Vuelva a colocar la bomba en la unidad y fjela en su montura con el sujetador de plástico. Esto impedirá que se caiga la bomba al agua, lo que dañaría el motor. No se olvide de volver a conectar el tubo de agua a la bomba.

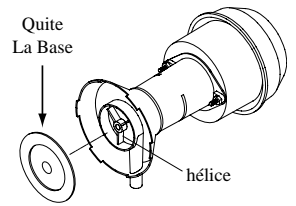


Fig. 7

- **Lubrique los cojinetes.** Los cojinetes de la rueda y el motor del ventilador deben ser lubricados usando unas gotas de un aceite no detergente de densidad 20/30 una vez al año. No obstante, los motores sin tuberías para aceite no necesitan ser lubricados. Estos motores son lubricados en la fábrica de por vida y no requieren nunca ninguna lubricación.

⚠PRECAUCION: No lubrique demás. El agregar demasiado aceite puede ocasionar que se quemé el motor, a causa del aceite entrando al interior del motor.

- **Compruebe la tensión de la correa.** Una fuerza de 3 libras debe desviar la correa 3/4 pulgadas (véase fig. 8). Ajuste la correa si es necesario.

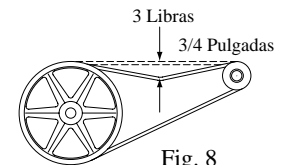


Fig. 8

Preparar La Unidad Para El Invierno

- **Drene el agua.** Drene siempre toda el agua de la unidad y del tubo de abastecimiento de agua cuando no use el enfriador durante períodos prolongados, especialmente al fin de la temporada. El tubo debe quedarse desconectado del enfriador y del abastecimiento de agua para que no lo congele.
- **Cubra la unidad.** Para proteger y alargar la vida útil del acabado, se sugiere cubrir el enfriador durante períodos largos cuando no sea utilizado.
- **Desconecte la unidad de la electricidad cuando no sea utilizada durante períodos extendidos.**
- **Cobra la rejilla.** Para ayudar a guardar el aire frío de entrar en la casa, usted puede utilizar la cubierta plástica opcional. Se puede comprar la cubierta de su distribuidor local. Al instalar la cubierta, alinee la cubierta con la rejilla de modo que los clips de la cubierta se deslizarán sobre la sección de centro de la rejilla. Deslice la cubierta sobre la rejilla. Los clips de la cubierta se encajarán a presión hacia lugar. Para quitar, dé un tirón con cuidado a la cubierta, quitándola derecho adelante de la rejilla.

Si usted sigue estas sugerencias en cuanto a instalación, operación y mantenimiento, podrá disfrutar de muchos años de servicio eficiente y satisfactorio de este enfriador. Si desea más información, su concesionario tendrá mucho gusto en ayudarle con respecto a cualquier duda o pregunta.

Conversión Al Conducto Vertical

Esta unidad se puede configurar de nuevo a una configuración con el conducto vertical para la instalación en una abertura más pequeña de la anchura. Siga los pasos subsecuentes si se desea esta configuración. **Nota: Los tiras de metal usados para convertir el túnel no se envía con esta unidad. Si desea, se puede llamar el servicio de cliente a 1-800-643-8341 para obtenerlos sin coste adicional.**

1. Quite los 9 tornillos de ambos lados y del fondo del conducto.

2. Quite los 4 tornillos medios de la tapa mientras que soporte el conducto en lugar. (Véase Fig. 9). Tenga cuidado de no dejar caer el conducto o los daños a los cables eléctricos podrían ocurrir. Puede necesitar aflojar otros tornillos en la tapa para hacerla más fácil quitar el conducto.

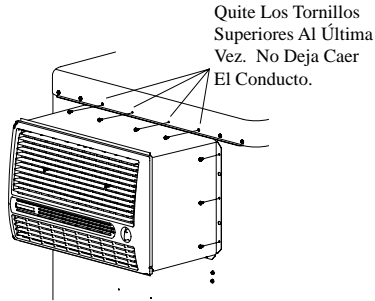


Fig. 9

3. Dé vuelta al conducto 90 grados a la izquierda (véase Fig 10). Tenga cuidado cuando da vuelta al conducto que no desconecta ni hace daño a los cables eléctricos que todavía están conectadas con el control y el panel delantero.

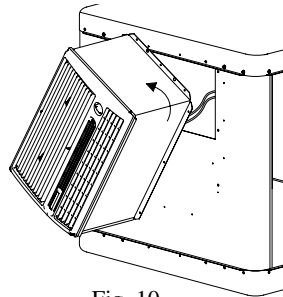


Fig. 10

4. Inserte el reborde del conducto entre el panel delantero y la tapa. Alinee los dos agujeros más grandes en el conducto con los dos agujeros de centro de la tapa. (Véase Fig 11).

5. Con los tornillos quitados previamente de la tapa, asegure el conducto a la unidad. No apriete los tornillos. Déjenlos flojos hasta que el resto del conducto se ha asegurado.

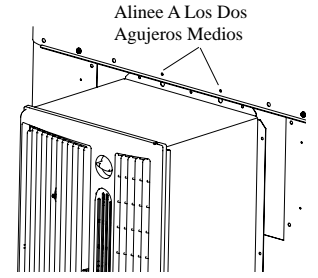


Fig. 11

6. Alinee los tres agujeros en el fondo del conducto con los agujeros en el panel delantero. Con los tornillos quitados del conducto previamente, asegure el conducto al panel delantero.

7. Asegúrese de que todos los tornillos quitados previamente de la tapa sea en lugar y apriete todos los tornillos.

8. Omite este paso para modelos RWC35 y RN35W. Quite los tres tornillos (2 en los modelos WC37 y N37W) de cada lado del panel delantero según lo demostrado en la figura 12.

PRECAUCIÓN: Asegúrese de que no quite el tornillo más bajo. Este tornillo soporta la caja del ventilador.

9. Para cubrir el abertura en el panel delantero, utilice las dos tiras de metal obtenidas del servicio de cliente. Alinee los agujeros en las tiras de metal a los agujeros en el panel delantero y asegúrelos con los tornillos quitados previamente en el paso 8. (Véase fig. 12.) Instale las tiras de metal de modo que no haya abertura entre la tapa y la tira de metal. Si hay una abertura, dé vuelta a la tira de metal alrededor.

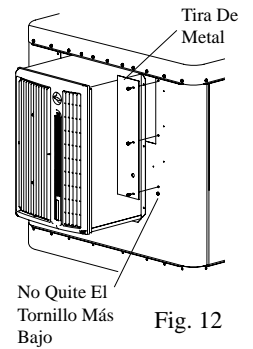
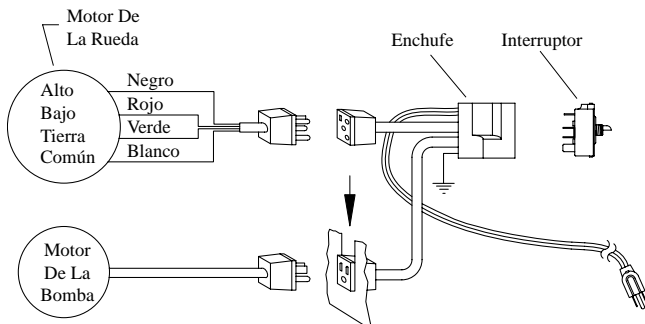


Fig. 12

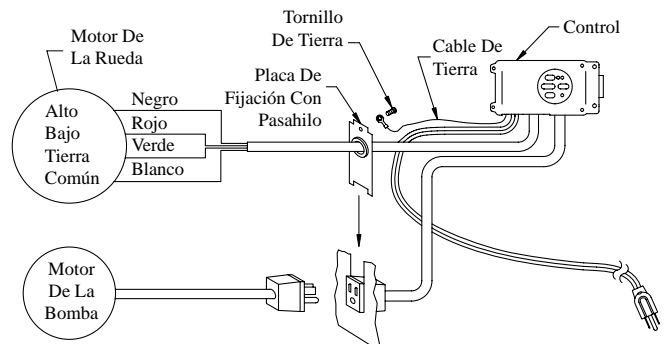
NOTA: Al montar un enfriador con este tipo de configuración con el conducto vertical, debe soportar la unidad con un soporte o plataforma plana. El método de instalación mencionado en este manual usando cadenas y las patas no debe ser utilizado. Los paneles del relleno en el kit de instalación se puede utilizar para aislar la ventana arriba del conducto del enfriador.

Esquemas Del Cableado

Control Manual



Control A Distancia



La Localización De Averías

<u>Problema</u>	<u>Causa Posible</u>	<u>Remedio</u>
No arranca o no sale aire	<ol style="list-style-type: none"> No llega corriente <ul style="list-style-type: none"> Fusible fundido Cortacircuito desactivado Cable eléctrico dañado Correa muy floja o apretada Motor recalentado <ul style="list-style-type: none"> Correa muy apretada Cojinetes de la rueda están secos Motor parado 	<ol style="list-style-type: none"> Revise la corriente <ul style="list-style-type: none"> Cambie el fusible Restablecer el cortacircuito Reemplace el cable Ajuste la tensión de la correa Determine la causa <ul style="list-style-type: none"> Ajuste la tensión de la correa Lubrique los cojinetes Cambie el motor
Sale poco aire cuando la unidad está funcionando	<ol style="list-style-type: none"> Insuficiente abertura para que salga el aire Poca tensión en la correa Filtros obstruidos 	<ol style="list-style-type: none"> Abra las ventanas o las puertas para aumentar el flujo de aire Ajuste la tensión o cambie la correa Cambie los filtros
Enfriamiento inadecuado	<ol style="list-style-type: none"> El agotamiento del aire es inadecuado Los filtros no están mojados <ul style="list-style-type: none"> Filtros obstruidos Filtros agujereados Agujeros de los canales obstruidos Bomba no funciona 	<ol style="list-style-type: none"> Abra más las ventanas o puertas Revise la distribución de agua <ul style="list-style-type: none"> Cambie los filtros Acomode la paja en el filtro Límpielos Cámbiela o límpiela (Desconecte la unidad)

<u>Problema</u>	<u>Causa Posible</u>	<u>Remedio</u>
Motor se apaga y se enciende	<ol style="list-style-type: none"> Voltaje deficiente Demasiada tensión en la correa Eje del ventilador atorado Cojinetes secos 	<ol style="list-style-type: none"> Compruebe el voltaje Ajuste la tensión de la correa Lubrique o cambie los cojinetes (Desconecte la unidad) Lubrique los cojinetes
Hace Ruido	<ol style="list-style-type: none"> Cojinetes secos Rueda roza contra caja de la rueda Partes sueltas 	<ol style="list-style-type: none"> Lubrique los cojinetes Inspeccione y alinee (Desconecte la unidad) Apriételas
Demasiada humedad en la casa	<ol style="list-style-type: none"> Insuficiente salida de aire 	<ol style="list-style-type: none"> Abra las puertas o las ventanas
Olor a encharrado, olor desagradable	<ol style="list-style-type: none"> Agua estancado en la unidad Los filtros tienen moho o son obstruidos. Los filtros son secos <ul style="list-style-type: none"> Agujeros del canal tapados Bomba no trabaja adecuada 	<ol style="list-style-type: none"> Desagüe y limpie los filtros Cambie los filtros Revise la distribución de agua <ul style="list-style-type: none"> Límpielos Reemplace o limpie la bomba (Desconecte la unidad)
El agua está drenando del enfriador.	<ol style="list-style-type: none"> El flotador no se ajusta correctamente El montaje de desagüe se está escapando 	<ol style="list-style-type: none"> Ajuste el flotador Apriete la tuerca y el tubo de desagüe

Garantía Limitada

La presente garantía se extiende al comprador original de un enfriador evaporativo instalado y utilizado bajo condiciones normales. No cubre daños ocurridos por accidente, descuido o abuso por parte del propietario. No autorizamos que ninguna otra persona o representante asuma por nosotros cualquier otra o diferente responsabilidad en relación con este producto.

Términos y Condiciones De La Garantía

Durante Ocho Años a partir de la fecha de compra, nosotros reemplazaremos la base original del enfriador en caso de que goteara agua debido a oxidación.

Durante Un Año a partir de la fecha de compra, reemplazaremos cualquier componente original proporcionado por Champion Cooler que falle debido a cualquier defecto de material o mano de obra en la fábrica solamente.

Exclusiones De La Garantía

No somos responsables por reemplazar los filtros del enfriador. Estos son componentes desechables y deben cambiarse periódicamente. No somos responsables por daños que resulten a consecuencia de alguna falla de funcionamiento.

No somos responsables por cualquier daño producido por el uso de suavizadores de agua, productos químicos, materiales desincrustantes, envolturas de plástico, o si se usa en esta unidad un motor de mayor potencia de la que se indica en la placa de número de serie.

No somos responsables por el costo del servicio para diagnosticar la causa del problema ni por la mano de obra necesaria para reparar y/o reemplazar piezas.

Para que la garantía limitada sea válida, se debe mantener el enfriador evaporativo según la sección de Mantenimiento en este manual.

Como Obtener Servicio Bajo Esta Garantía

Póngase en contacto con el Concesionario que le vendió el enfriador. Si por alguna razón usted no queda satisfecho con la respuesta por parte del Concesionario, comuníquese con el departamento de servicio al cliente: 5800 Murray Street, Little Rock, Arkansas 72209. 1-800-643-8341. info@championcooler.com.

Esta garantía limitada se aplica al comprador original solamente.