

# EUREKA Original & Replacement

EXCALIBUR UPRIGHT

Model 6446A/AT & 6484A/AT Shown

Figure A

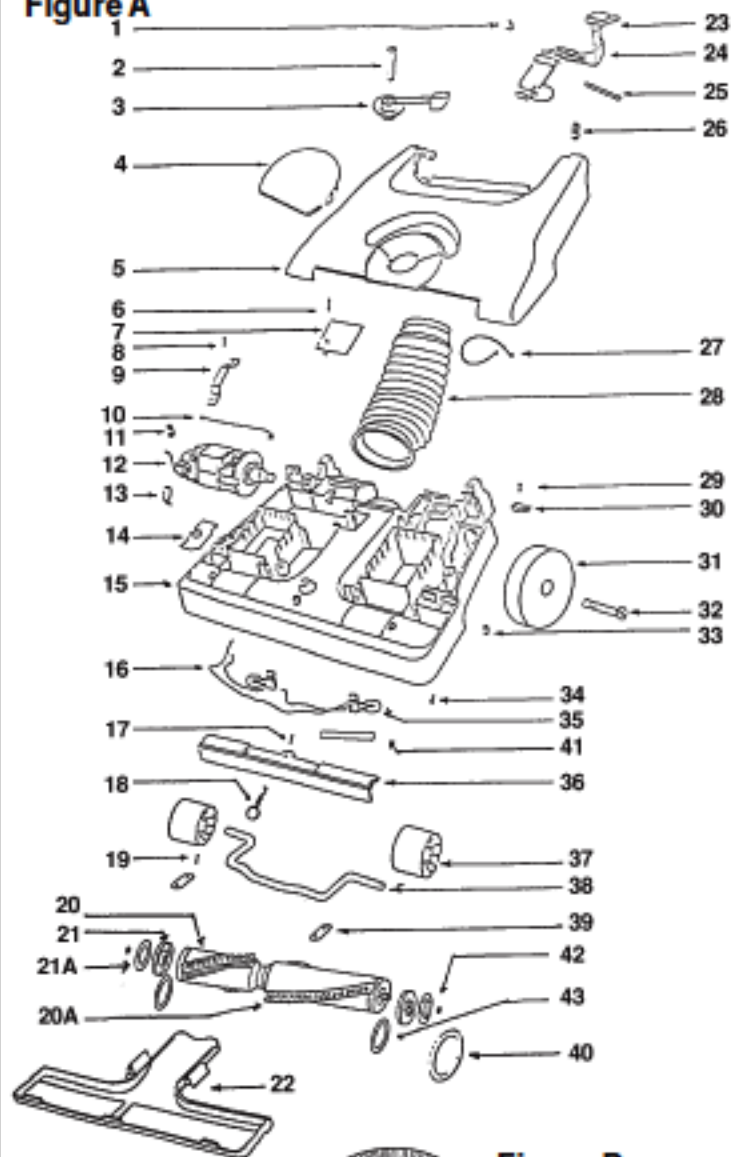


Figure B

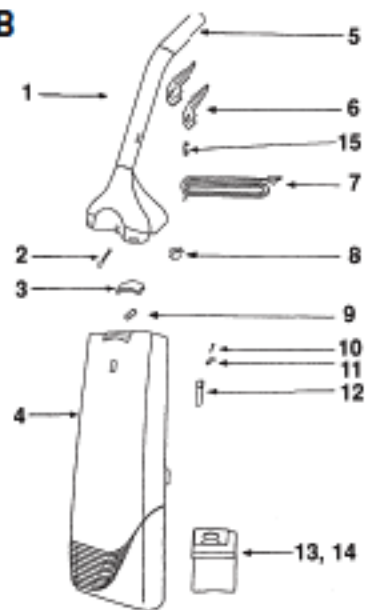


Figure C

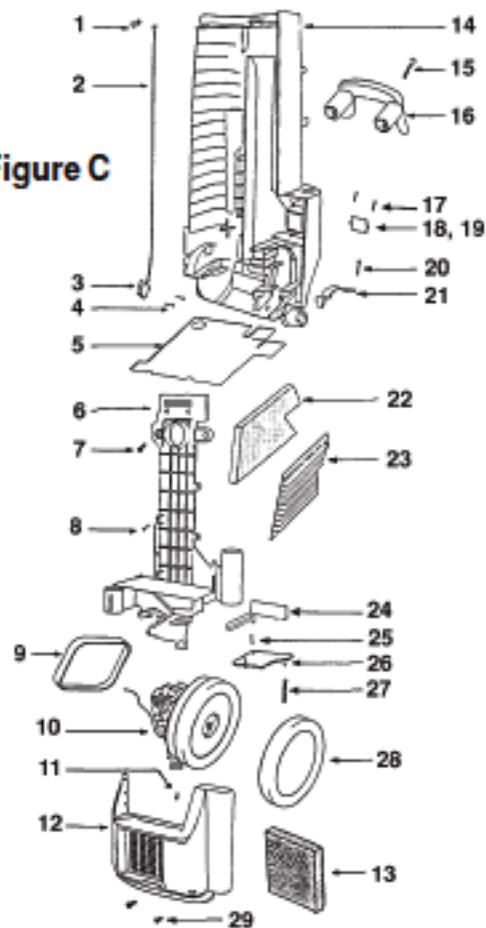
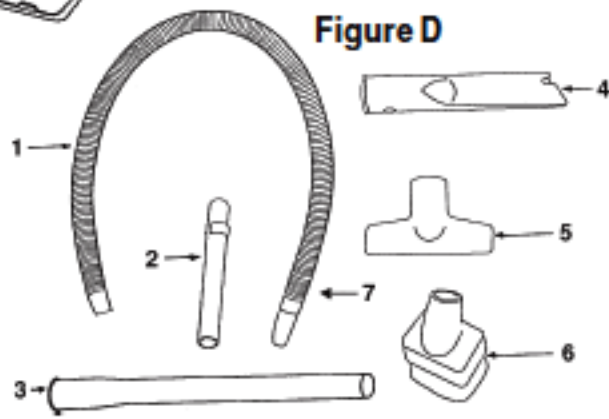


Figure D



# Original & Replacement **EUREKA**

EXCALIBUR UPRIGHT

Model 6446A/AT & 6484A/AT Shown

Figure A

KEY	PART NO.	DESCRIPTION
1	E-54707	Push-On Nut
2	E-58244	Height Adjustment Screw
3	E-58327-1	Adjustment Lever
4	E-27483-5	Adjustment Cover & Graphics 6484A/AT
4	E-27483-4	Adjustment Cover & Graphics 6446A/AT
5	E-54705-3	Hood & Graphics Ass'y 6484A/AT
5	E-54705-2	Hood & Graphics Ass'y 6446A/AT
6	E-53238-4	Screw
7	E-58323-1	Pulley Cover
8	E-53238-11	Screw
9	E-57879	Motor Strap
10	E-27541-1	Power Cord Ass'y 6484A/AT
10	E-27520-1	Power Cord Ass'y 6446A/AT
11	<b>SS-3270</b>	Wire Nut
12	E-54343-3	Motor Ass'y - For Brush Roll
13	E-46713	Wire Tie
14	E-58159	Wire Shield 6484A/AT
14	E-58421	Wire Shield 6446A/AT
15	E-54706-2	Base & Cam Ass'y
16	E-27376	Lamp Socket 6484A/AT Only
17	E-53238-4	Screw
18	E-53076-2	Axle Spring
19	E-53238-11	Screw
20	E-54693-1	Brushroll Ass'y Wood
20A	E-54792-1	Bristle Strip 2 Pk
21	E-27335	Disturbulator Cap
21A	E-27530	Disturbulator Cap Cover
22	E-02017-1	Bottom Plate
23	E-38407	Foot Pedal Cap
24	E-27405	Foot Pedal
25	E-58298	Foot Pedal Pin
26	E-54708	Spring
27	E-46713-2	Cable Tie
28	E-14881-1	Bellows
29	E-53238-11	Screw
30	E-58295	Cable Clamp
31	E-26270-3	Rear Wheel
32	E-38392	Axle
33	E-54709	Prong Lock Retainer
34	E-53238-11	Screw For Hood To Base
35	E-57940	Headlight Lamp 6484A/AT Only
36	E-27374-1	Lens 6484A/AT
36	E-27374-2	Lens 6446A/AT
37	E-35859A-1	Front Wheel
38	E-38457	Front Axle
39	E-53201	Axle Clamp
40	E-30563	Belt
40	<b>ER-1000</b>	Belt
41	E-58427	Sleeving
42	E-53158	Lock Nut
43	E-49890	Felt Washer

Figure B

1	E-02119-1	Upper Handle Ass'y
2	E-53238-37	Screw
3	E-27514	Latch
4	E-14882-4	Bag Cover & Graphics 6446A/AT
4	E-14882-5	Bag Cover & Graphics 6484A/AT
5	E-35293-8	Handle Grip
6	E-27515-1	Hose/Cord Clip

KEY	PART NO.	DESCRIPTION
7	E-27521-1	Supply Cord
8	E-38348-2	Rocker Switch
9	E-54711	Spring
10	E-53238-1	Screw
11	E-56750	Bag Indicator Clip
12	E-37761-2	Bag Indicator
13	E-58183	Paper Bag - Style "Y" 3 Pk
13	<b>ER-1425</b>	Paper Bag - Style "Y" 3 Pk DVC
14	E-54686	Cloth Bag Commercial Style "Y"
15	E-58393	Strain Relief Bushing

Figure C

1	<b>SS-3270</b>	Wire Nut
2	E-27522-1	Upper Cord Ass'y W/Rocker Switch
3	E-27410	Micro Snap Switch
4	E-53238-34	Screw
5	E-38410	Motor Shield
6	E-02016-1	Dirt Chute Cover
7	E-53238-28	Screw
8	E-53238-4	Screw
9	E-38410	Motor Stack Gasket
10	E-02016-1	Motor Ass'y - Suction
11	E-53238	Screw
12	E-38410-34	Motor Cover
13	E-02010	Final Filter
12	E-14916-1	Rear Housing
9	E-53238-28	Screw
18	E-14909-1	Carrying Handle
17	E-53238-32	Screw
18	E-14967-1	Access Door
19	E-14966	Access Door Gasket
20	E-54689	Screw
21	E-38243-1	Rear Housing Ass'y Clamp
22	E-27384	Filter
23	E-27385	Filter Frame
24	E-27666	Diverter Valve Door 6484A/AT Only
24	E-80141	Plastic Diverter Valve & Rear Housing Repair Kit 6446A/AT Only (Required if Diverter Valve is Plastic)
24	E-27666	Metal Diverter Valve 6446A/AT (Replaces Metal Diverter Valve Only)
25	E-53238-33	Screw
26	E-27345	Diverter Arm
27	E-54710	Spring
28	E-27463A	Motor Fan Gasket 6484A/AT Only
28	E-27463	Motor Fan Gasket 6446A/AT
29	E-53238-35	Screw

Figure D

1	E-54692-1	Hose With Coupling Only
2	E-14990-1	Wand With Bleeder 6484A/AT
2	E-14990-2	Wand With Bleeder 6446A/AT
3	E-14070-3	Straight Wand
4	E-54355-3	Crevice Tool
5	E-54506-1	Upholstery Nozzle
6	E-54505-1	Dusting Brush
7	E-54691-1	Hose Ass'y Complete
	E-58068	Hardware Pkg.