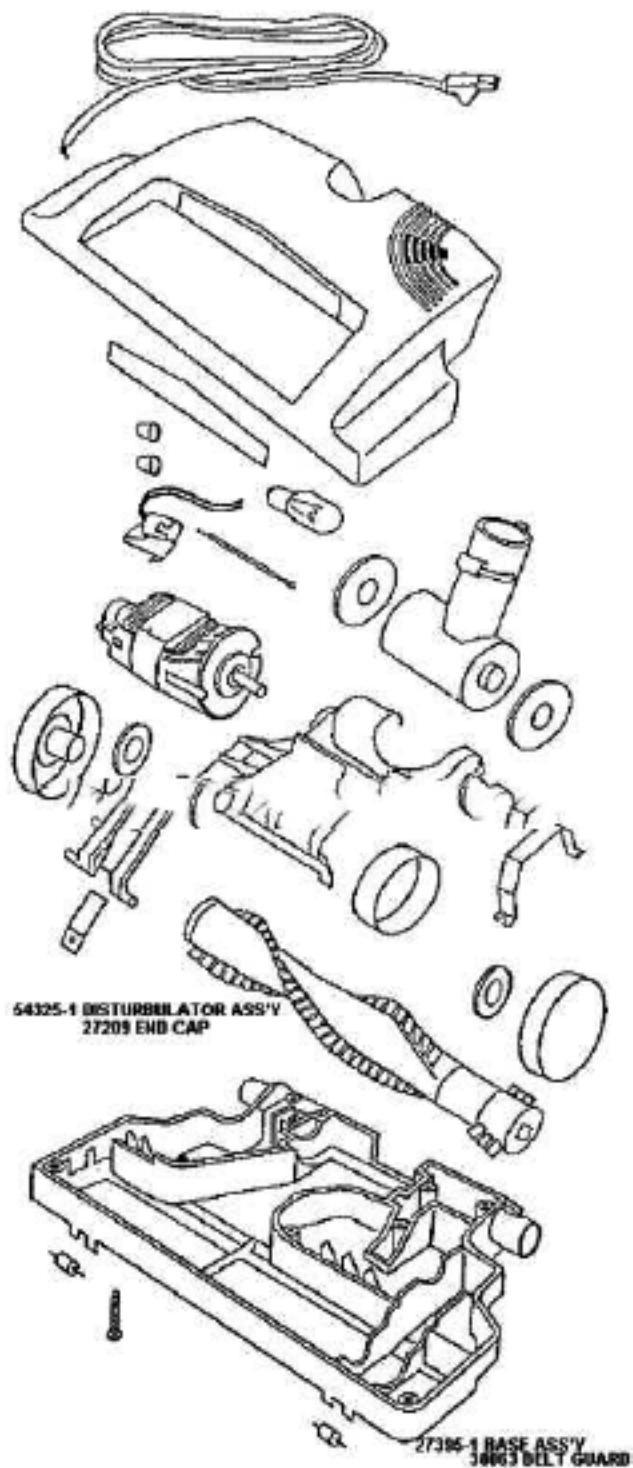
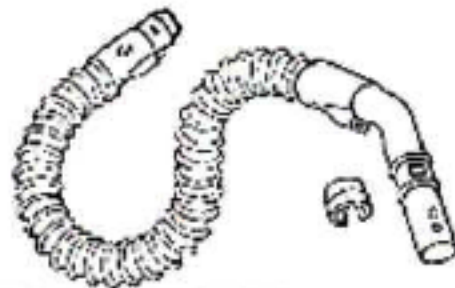
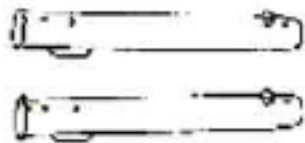




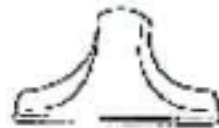
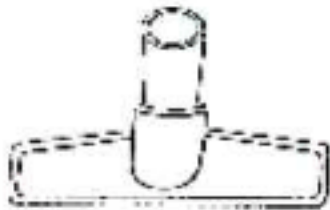
Ref#	Part	Description	Comments	Qty
1	14571-2	BUTTON COVER & GRAPHICS A		
2	26440-25	WHEEL - REAR		
3	26651-4	CONNECTOR ASSEMBLY		
4	26715A	GASKET - MOTOR MOUNTING		
5	27009-3	BUTTON - LATCH		
6	27329-1	CORD - LOW LEAD (17 GA)		
7	36341-2	SWITCH - PUSH		
8	37403-1	CASTER		
9	37490-3	RELEASE - CORD		
10	37657	FILTER - MOTOR		
11	37761-1	BAG INDICATOR ASSEMBLY		
12	37966	SOUND FOAM		
13	38083	EXHAUST FILTER		
14	46713-1	TIE - CABLE		
15	53197-1	SCREW PACKAGE		
16	53214-2	WIRE SPLICE 5		
17	53238-1	SCREW PACKAGE		
18	53238-8	SCREW PACKAGE		
19	54128-10	BAG COVER & GRAPHICS ASSY -		
20	54219-1	BUSHING - STRAIN RELIEF (		
21	54403	MOTOR ASSEMBLY - PACKAGED		
22	55446	NUT - SWITCH		
23	55463	GASKET - MOTOR STACK		
24	55794	SPRING		
25	56088	SPRING		
26	56146	THERMOSTAT		
27	56376	WASHER		
28	56750	CLIP - BAG INDICATOR		
29	57471-2	GASKET - SHELL		



Ref#	Part	Description	Comments	Qty
1	14940-1	PEDAL - FOOT		
2	27395-1	POWERHEAD HOOD/BASE KIT		
3	27397-1	LENS - HOOD		
4	27398-1	AIR DUCT COVER ASSEMBLY		
5	35970-18	POLARIZED CORD & PLUG ASS		
6	37434-2	WHEEL - REAR		
7	38083	GUARD - BELT		
8	38377	STRAP - MOTOR		
9	38379-1	HANDLE SOCKET ASSEMBLY		
10	38484-1	HEADLIGHT SOCKET ASSEMBLY		
11	48815	LAMP - HEADLIGHT		
12	53214-2	WIRE SPLICE 5		
13	53238-8	SCREW PACKAGE		
14	53984-1	WHEEL & AXLE PACKAGE - FR		
15	54325-1	DISTURBULA TOR ASSY - CAR		
16	54343-1	MOTOR ASSEMBLY - PACKAGED		
17	54672-1	POWERHEAD HOOD/BASE KIT		
18	56180	FELT WASHER		
19	57421-2	WIRE & TERMINAL ASSEMBLY		
20	57992	GASKET - FELT		
21	58065	BELT - STYLE AR		
22	58169	SPRING		



**54259-1 HOSE ASS'Y**  
**34272-5 BLEEDER**



Ref#	Part	Description	Comments	Qty
1	34272-5	BLEEDER		
2	36879-5	STRAIGHT WAND ASSEMBLY		
3	53454-7	UPHOLSTERY NOZZLE ASSY -		
4	53455-5	DUSTING BRUSH - PACKAGED		
5	54259-1	HOSE ASSEMBLY - CARTONED		
6	54355-3	TOOL - CREVICE		
7	54533-5	FLOOR & WALL BRUSH - PACK		
8	57698	PAPER BAG - STYLE V FA		
	52358	PAPER BAG - STYLE V		