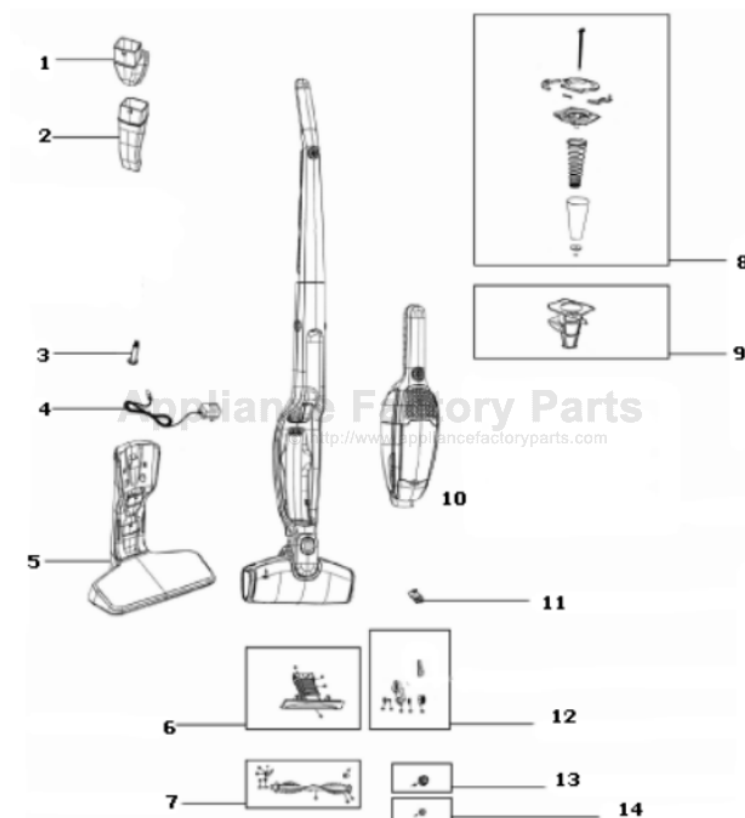


This Owner's Manual is provided and hosted by [Appliance Factory Parts](http://www.appliancefactoryparts.com).



Eureka EL1012A Owner's Manual

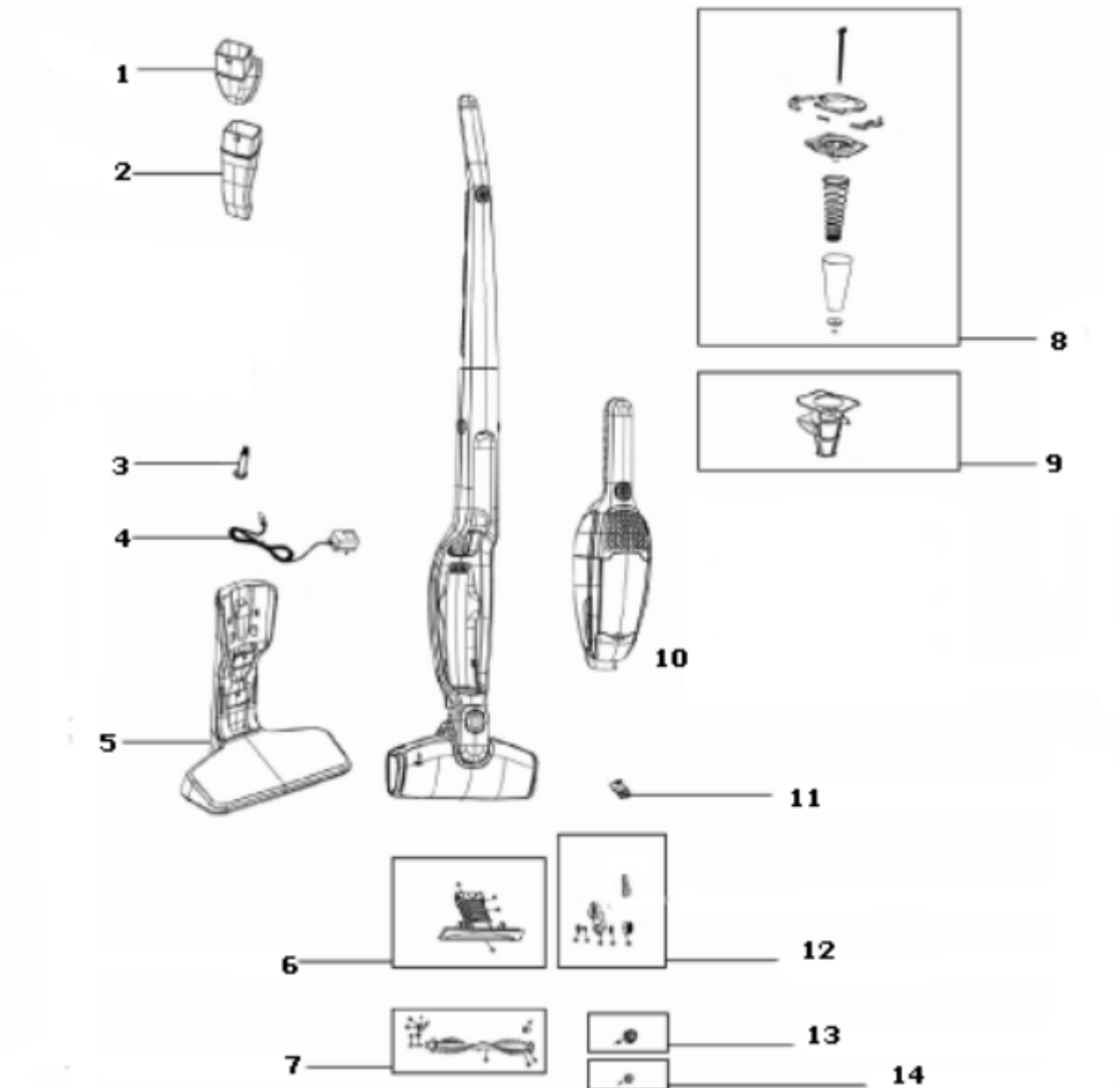
[Shop genuine replacement parts for Eureka EL1012A](#)



[Find Your Eureka Vacuum Cleaner Parts - Select From 853 Models](#)

----- Manual continues below -----

Parts - EL1012A



| Ref # | Part | Description | Comments | Qty |
|-------|-------------------|--------------------------|----------|-----|
| 1 | E-100770600142010 | BRUSH & BRISTLE | | |
| 2 | E-1180772 | CREVICE TOOL | | |
| 3 | E-1180693 | SCREW | | |
| | E-1180710 | LOCK SCREW NUT | | |
| 4 | E-400067060030 | ADAPTOR | | |
| 5 | E-987061003 | CHARGING STATION CABINET | | |
| 6 | E-1180668 | BELLOW | | |
| 7 | E-987061004 | BRUSHROLL COMPLETE | | |
| 8 | E-63360 | FILTER ASSEMBLY | | |
| 9 | E-100470600101010 | FILTER FRAME OUTER | | |
| 10 | CENTAUR-12-004A | HAND VAC ASSEMBLY | | |
| 11 | E-100470600551010 | BRUSHROLL COVER | | |
| 12 | E-987061014 | KIT DRIVE BELT | | |
| 13 | E-987061018 | WHEEL KIT LARGE | | |
| 14 | E-987061017 | WHEEL KIT SMALL | | |
| | E-500147060010 | BELT | | |
| | 78987 | OWNERS GUIDE | | |