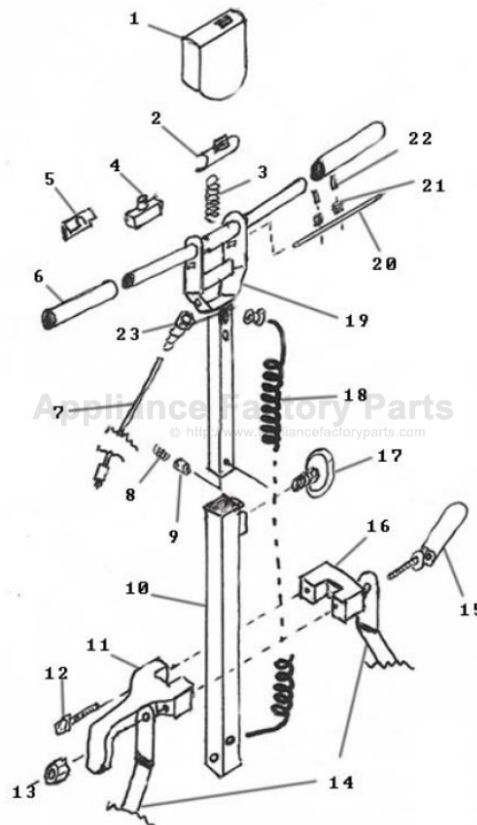


This Owner's Manual is provided and hosted by [Appliance Factory Parts](http://ApplianceFactoryParts.com).



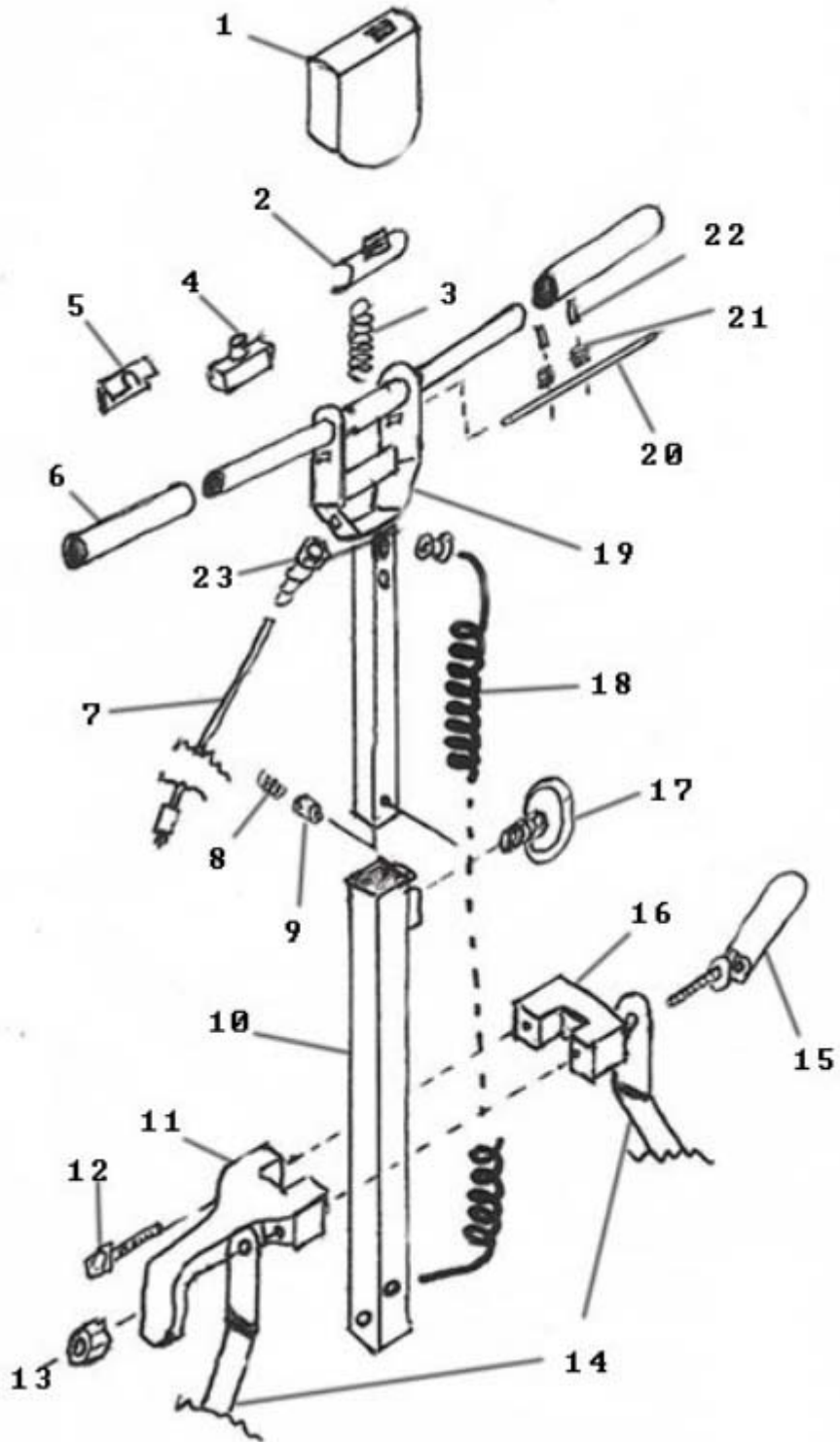
SANITAIRE SC6001A Owner's Manual

[Shop genuine replacement parts for SANITAIRE
SC6001A](#)



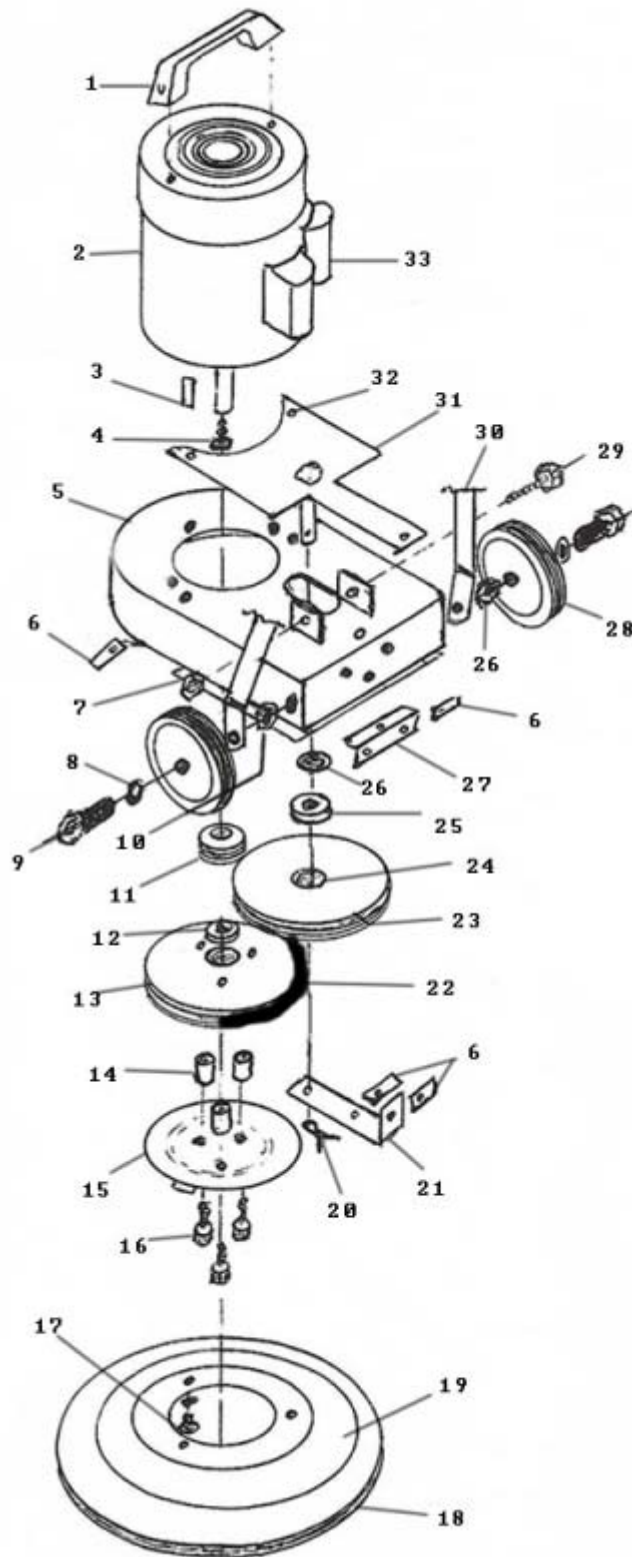
[Find Your SANITAIRE Vacuum Cleaner Parts - Select From 77 Models](#)

----- Manual continues below -----



Handle - SC6001A

Ref #	Part	Description	Comments	Qty
1	E-W0003-3P	SWITCH BX CVR-13 IN-EUREK		
2	E-C0003-EYAS	SAFETY SWITCH		
3	E-H0014	SPRING 2LNG X .025 OD X .		
4	E-E0007	MAIN ON/OFF SWITCH		
5	E-H0013	SWITCH INSULATION		
6	E-C0007-2	HANDLE GRIP - GRAY		
7	E-E0031-2	CRD-BLK-16-3 SJT UL/CSA 2		
8	E-H0023	SPRING 11/16LNGX.344 ODX.		
9	E-M0003-2P	SLEEVE-LOCK PIN		
10	E-W0002L-1P	LOWER TELESCOPING HANDLE		
11	E-HP0002SANITAIRE	CRDHK CAP/HDL LK CLMP ASS		
12	E-H0044	3/8-16 X 2-1/2H.C.S. GR8		
13	E-H0015	NUT-3/8 X 16 HEX NYLCK-ZI		
14	E-S0005P-1	PAINT-CONNECTING LEG - GR		
15	E-HP0003-HAMMERSILVER	CAM LOCK ASSY (PAINTED)		
16	E-HP0002SANITAIRE	CRDHK CAP/HDL LK CLMP ASS		
17	E-H0101	KNOB (ROSETTE)		
18	E-E0012-2	CORD BLK - 16-3 1-5' SJEO		
19	E-W0002U-1P	UPPER TELESCOPING HANDLE		
20	E-S0008P-1	PAINTED - TRIGGER - GRAY		
21	E-H0023	SPRING 11/16LNGX.344 ODX.		
22	E-H0012	ROLL PIN 1/8 C 1-3/4		
23	E-H0021-3	STRAIN RELIEF HEYCO - BLO		



Motor - SC6001A

Ref #	Part	Description	Comments	Qty
1	E-C0038	LIFT HANDLE W/BRASS INSER		
2	E-E0002	MOTOR 1/2HP 115/230V 60C		
3	E-H0053-1	MOTOR/ PULLEY KEY		
4	E-H0056-8	1/4-20X1-1/4 HX TAP BLT 2		
5	E-W0001-2P-1	FRM ASSY-2PCS FR BLT DRV		
6	E-H0079-3	AVECO CLIP #8359		
7	E-C0037P	SPLASH GUARD MAT-WRINKLE		
8	E-H0007	SPRING WASHER .515 ID ZIN		
9	E-H0091-2	1/2X13X3 HX CAP SCRW 5-ZI		
10	E-H0090-1	NUT- 1/2-13 INCH NYLON-ZI		
11	E-M0015-3	DRIVE PULLEY		
12	E-M0019-3	BEARING .625 ID		
13	E-M0014-1	PULLEY-IDLER DRIVE		
14	E-M0004	SPACER - 1.175 LONG		
15	E-C0036M	MACH-CLUTCH DRIVE CASTING		
16	E-H0056-5	1/4-20X2-3/4 SC CP SCRW B		
17	E-H0056-9	SCREW 1/4 - 20 X 3/4		
18	E-C0015-1	13 INCH BUMPER - RED EURE		
19	E-S0020-1P-10	13 BRUSH COVER-HAMMER GRA		
20	E-H0006	COTTER PIN-ZIN 3/32 X 1		
21	E-S0040P	BELT ADJ BRACKET-LOWER		
22	E-C0014-3	BELT		
23	E-M0015-4	STEP PULLEY		
24	E-M0029	BEARING SPACER		
25	E-M0019-2	BEARING .500 ID		
26	E-H0008	WASHER-ZINC PLATED STEEL		
27	E-S0041P	BELT ADJ BRACKET-UPPER ZI		
28	E-C0004	WHEELS 1.25WX5 DIA W/1/2		
29	E-H0043-1	3/8-16X 2-1/4 HX CP SCRW		
30	E-S0005P-1	PAINT-CONNECTING LEG - GR		
31	E-W0001-2P-1	FRM ASSY-2PCS FR BLT DRV		
32	E-H0056-6	1/4-20X3/4		
33	E-E0008-8	START/RUN CAPACITOR		
Not Pictured	E-S0001-1P	MOTOR DRIP COVER		
	E-A0019	CLUTCH PLATE		