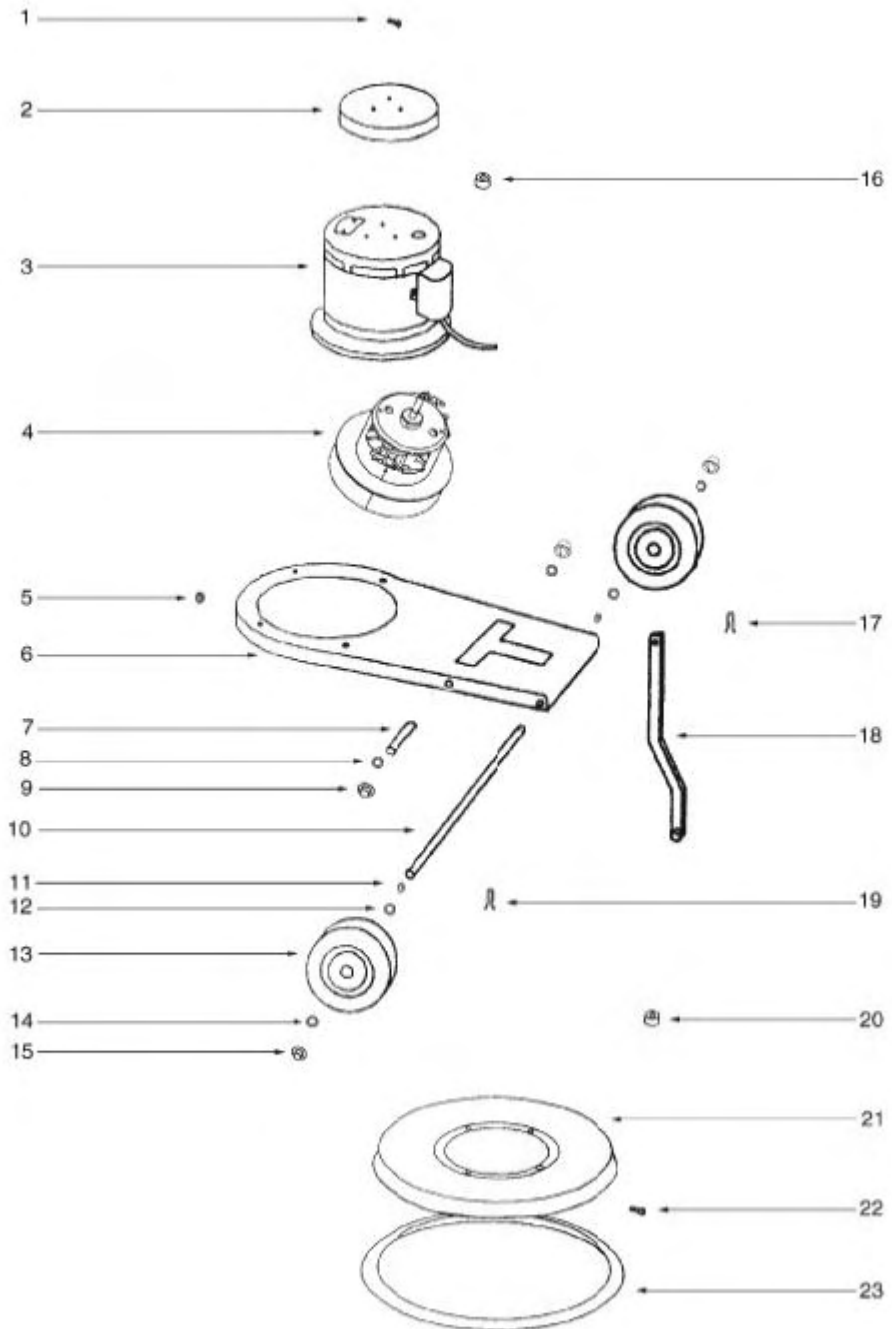



Handle - SC6025A

Ref #	Part	Description	Comments	Qty
1	W0003-2P	SWITCH BX CVR WLDMNT-RND-		
2	H0013	SWITCH INSULATION		
3	E0007	MAIN ON/OFF SWITCH		
4	H0021	STRAIN RELIEF IMPERIAL EA		
5	H0022	NUT (APPLETON BL50/NEER L		
6	H0022-1	WSHR.890X1.5X.104 STR RLF		
7	C0007-2	HANDLE GRIP - GRAY		
8	W0002UP	HANDLE - UPPER - PLATED		
9	H0099	NUT - 5/16 - 18 NYLOC		
10	M0027P	COUPLING HANDLE - PLATED		
11	H0028	GROMMET BADGER #BG179		
12	HP0002SANITAIRE	CRDHK CAP/HDL LK CLMP ASS		
13	H0015	NUT-3/8 X 16 HEX NYLCK-ZI		
14	H0017	3/8-16X4-3/8 SPADE BOLT Z		
15	M0001P2	PAINTED-HANDLE LOCK CAM G		
16	H0001P	PLATED SLOTTED WASHER		
17	H0019	PUSH NUT 5/16 - BRIGHT NI		
18	H0018	RIVET 5/16 X 1-1/4 SOLID-		
19	H0040	SCREW 10-24 X .50		
20	H0020	WASHER #10 EXT. TOOTH LCK		
21	C0003	SAFETY SWITCH		
22	H0014	SPRING 2LNG X .025 OD X .		
23	H0062	LOOP CLAMP .250 FOR 16-3		
24	H0040	SCREW 10-24 X .50		
25	H0020	WASHER #10 EXT. TOOTH LCK		
26	H0012	ROLL PIN 1/8 C 1-3/4		
27	H0023	SPRING 11/16LNGX.344 ODX.		
28	S0008P-1	PAINTED - TRIGGER - GRAY		
29	E0003G	POWER CORD 14-3, ST, GRAY		
30	H0027	WIRE NUT		
31	H0098	BOLT 5/16 -18 X 2 IN		
32	W0002LP	HANDLE - LOWER - PLATED		
33	H0044	3/8-16 X 2-1/2H.C.S. GR8		
34	HP0002SANITAIRE	CRDHK CAP/HDL LK CLMP ASS		
35	H0016	3/8 FLAT WASHER - BLK OXI		
36	H0057	LOCK NUT THN FLEX .375-16		
37	73416			
	HP0003-1	CAM LOCK ASSY		

Motor - SC6025A



Motor - SC6025A

Ref #	Part	Description	Comments	Qty
1	H0002	10-24 X 1 SCREW		
2	S0001CP	DRP CVR-CHROME MIRROR FIN		
3	G0002P	3-IDLR GEAR BX W/MTG PLT		
4	E0030P	1.5HP 110V 60C - GRAY		
5	H0005	WASHER 5/16 EXT TOOTH LK		
6	W0001P-1	PNT-STD SPD FLR MACH FRM		
7	M0006P	PLATED HNDLE MOUNTING SHF		
8	H0008	WASHER-ZINC PLATED STEEL		
9	H0009	PUSH NUT 1/2 - BRIGHT NIC		
10	M0005P	PLATED WHEEL AXLE		
11	H0007	SPRING WASHER .515 ID ZIN		
12	H0008	WASHER-ZINC PLATED STEEL		
13	C0004	WHEELS 1.25WX5 DIA W/1/2		
14	H0008	WASHER-ZINC PLATED STEEL		
15	H0009	PUSH NUT 1/2 - BRIGHT NIC		
16	H0003-1	NYLON UN-THREADED RND SPA		
17	H0006	COTTER PIN-ZIN 3/32 X 1		
18	S0005P-1	PAINT-CONNECTING LEG - GR		
19	H00031			
20	M0004	SPACER - 1.175 LONG		
21	S0004CP	20 BRUSH COVER CHROME MIR		
22	H0011	5/16 - 18X2 SOCKET CAP SC		
23	C0002-1	20 INCH BUMPER - RED		