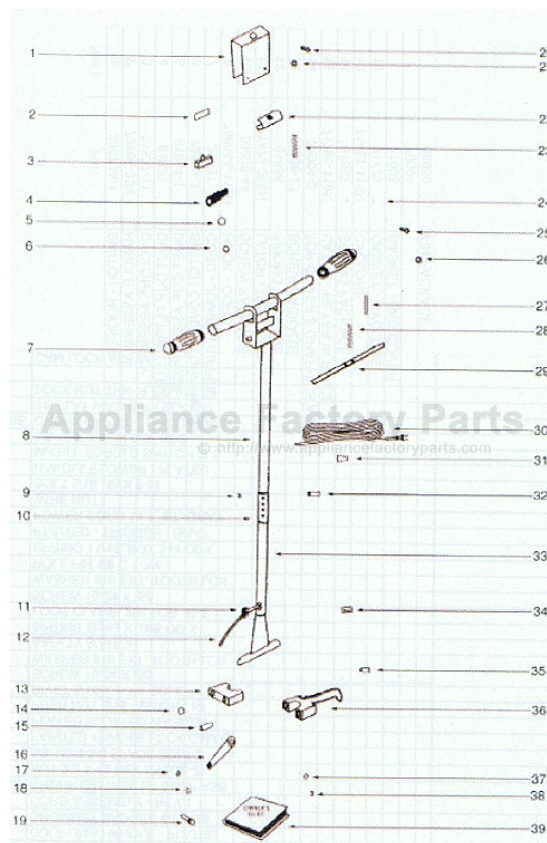


This Owner's Manual is provided and hosted by [Appliance Factory Parts](http://Appliance Factory Parts).



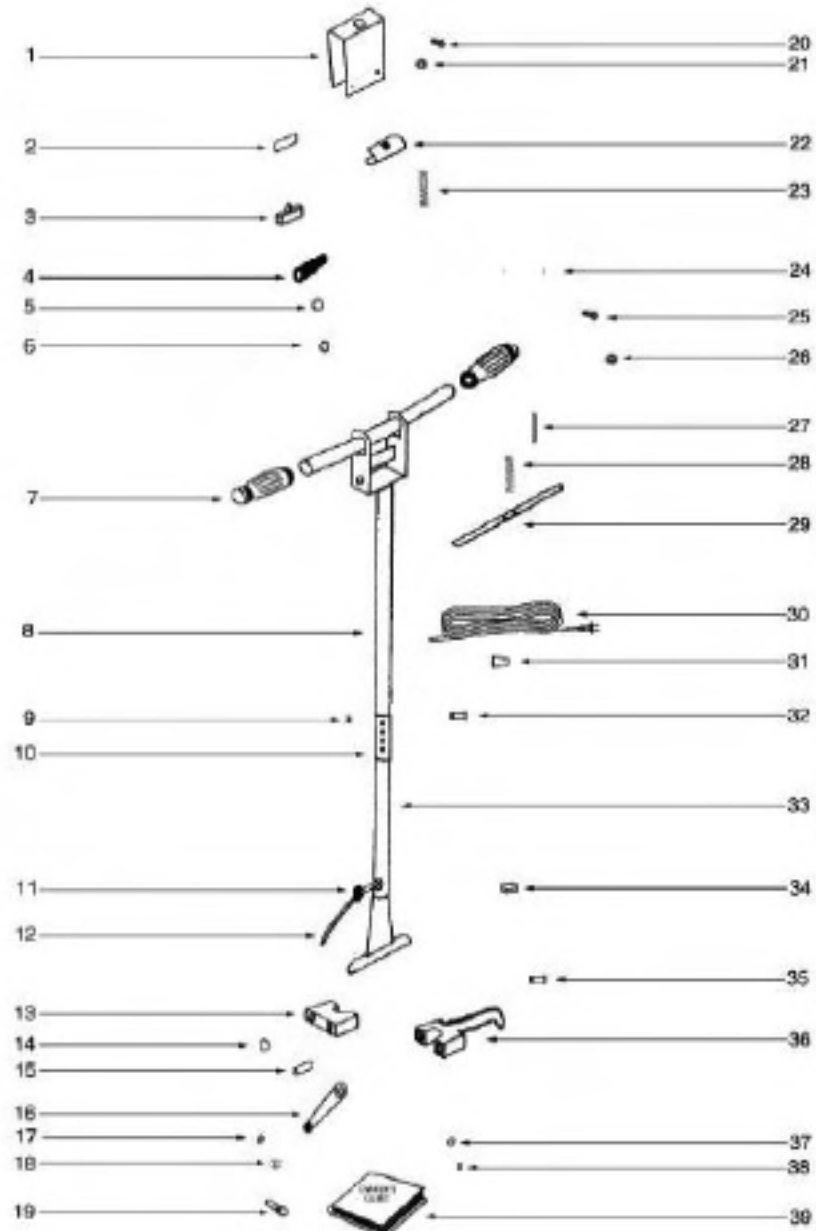
# SANITAIRE SC6045A Owner's Manual

[Shop genuine replacement parts for SANITAIRE  
SC6045A](#)



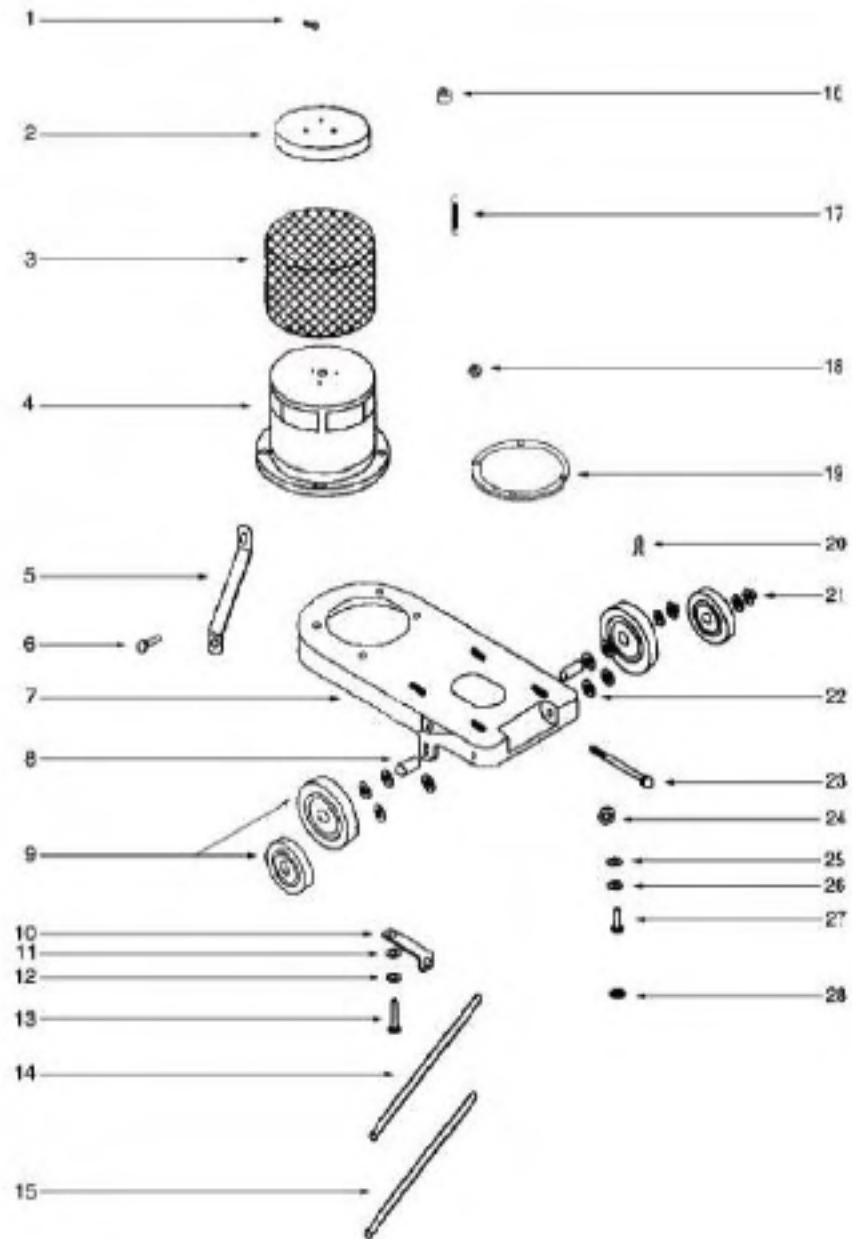
[Find Your SANITAIRE Vacuum Cleaner Parts - Select From 78 Models](#)

----- Manual continues below -----



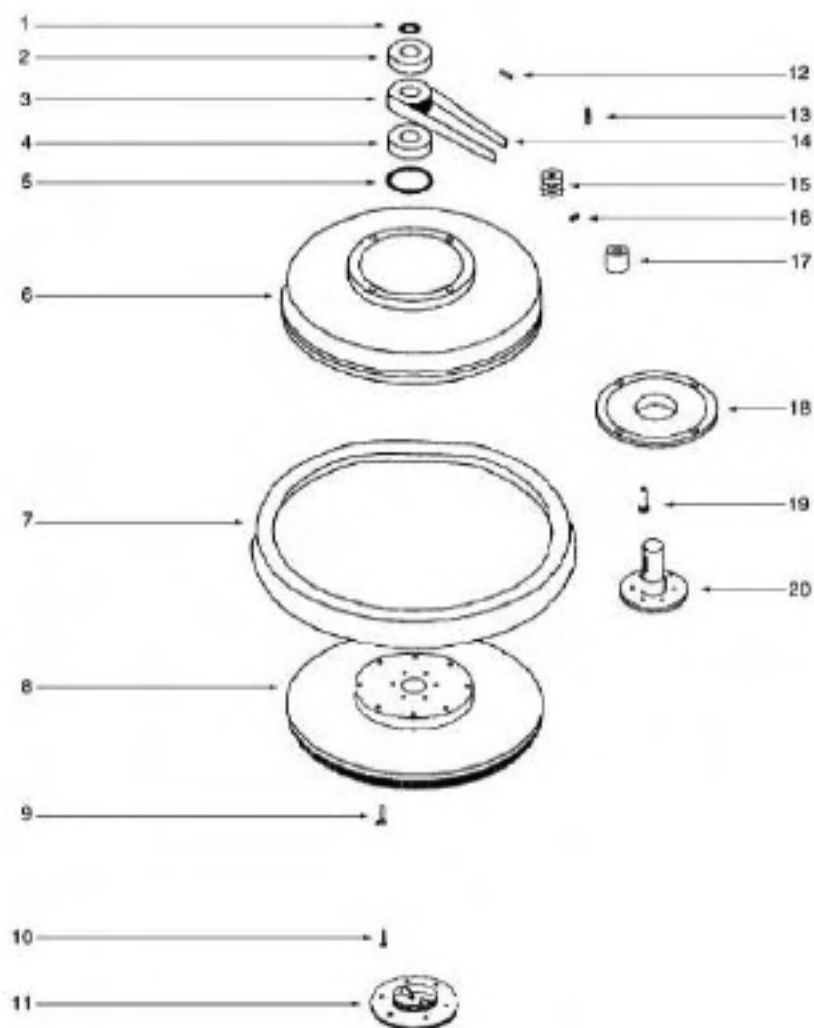
## Handle - SC6045A

Ref #	Part	Description	Comments	Qty
1	W0003-2P	SWITCH BK CVR WLDMNT-RND-		
2	H0013	SWITCH INSULATION		
3	E0007	MAIN ON/OFF SWITCH		
4	H0021	STRAIN RELIEF IMPERIAL EA		
5	H0022	NUT (APPLETON BL50/NEER L		
6	H0022-1	WSHR.890X1.5X.104 STR RLF		
7	C0007-2	HANDLE GRIP - GRAY		
8	W0002UP	HANDLE - UPPER - PLATED		
9	H0099	NUT - 5/16 - 18 NYLOC		
10	M0027P	COUPLING HANDLE - PLATED		
11	H0028	GROMMET BADGER #BG179		
12	E0028	CORD ASSEMBLY - REV 1		
13	HP0002SANITAIRE	CRDHK CAP/HDL LK CLMP ASS		
14	H0015	NUT-3/8 X 16 HEX NYLCK-ZI		
15	H0017	3/8-16X4-3/8 SPADE BOLT Z		
16	M0001P2	PAINTED-HANDLE LOCK CAM G		
17	H0001P	PLATED SLOTTED WASHER		
18	H0019	PUSH NUT 5/16 - BRIGHT NI		
19	H0018	RIVET 5/16 X 1-1/4 SOLID-		
20	H0040	SCREW 10-24 X .50		
21	H0020	WASHER #10 EXT. TOOTH LCK		
22	C0003	SAFETY SWITCH		
23	H0014	SPRING 2LNG X .025 OD X .		
24	H0082	LOOP CLAMP .250 FOR 16-3		
25	H0040	SCREW 10-24 X .50		
26	H0020	WASHER #10 EXT. TOOTH LCK		
27	H0012	ROLL PIN 1/8 C 1-3/4		
28	H0023	SPRING 11/16LNGX.344 ODX.		
29	S0008P-1	PAINTED - TRIGGER - GRAY		
30	E0003G	POWER CORD 14-3, ST, GRAY		
31	H0027	WIRE NUT		
32	H0098	BOLT 5/16 - 18 X 2 IN		
33	W0002LP	HANDLE - LOWER - PLATED		
34	E0006	McGILL TOGGLE SWITCH (2-S		
35	H0044	3/8-16X 2-1/2H.C.S. GR8		
36	HP0002SANITAIRE	CRDHK CAP/HDL LK CLMP ASS		
37	H0016	3/8 FLAT WASHER - BLK OXI		
38	H0057	LOCK NUT THIN FLEX .375-16		
39	73416			
	HP0003-1	CAM LOCK ASSY		



## Motor - SC6045A

Ref #	Part	Description	Comments	Qty
1	H0002	10-24 X 1 SCREW		
2	S0001CP	DRP CVR-CHROME MIRROR FIN		
3	S0016	ROLLED ALUMINUM SCREEN		
4	E0027	MOTOR 1.5HP - 3200 RPM DC		
5	S0018P-1			
6	H0043	3/8-16X1-1/2H.C.S. GR5 ZI		
7	W0004P-1	PNT-HGH SPD FLR MACH FRM		
8	M0003P	HANDLE SPACERS - ZINC PLA		
9	C0004	WHEELS 1.25WX5 DIA W/1/2		
10	S0019P	ZINC-BELT ADJUSTMENT BRKT		
11	H0004	3/8 MED SPLIT LW ZINC		
12	H0060	5/16 FLAT WASHER - USS ZI		
13	H0042	3/8-16X 7/8 H.C.S. GR5 Z		
14	HP0025	ZINC AXLE KIT		
15	M0018P	ZINC - HNDL SHAFT 1500 RP		
16	H0003	SPACER - NYLON		
17	H0049	SPRING (EXTENSION) ZINC		
18	H0057	LOCK NUT THN FLEX .375-16		
19	C0011P-1	UPPER BEARING HOUSING-RED		
20	H0006	COTTER PIN-ZIN 3/32 X 1		
21	H0009	PUSH NUT 1/2 - BRIGHT NIC		
22	H0008	WASHER-ZINC PLATED STEEL		
23	H0056-3	1/4-20X4 HEX CAP SCREW-ZI		
24	H0054	LOCK WASHER .250 SPLIT ZI		
25	H0004	3/8 MED SPLIT LW ZINC		
26	H0060	5/16 FLAT WASHER - USS ZI		
27	H0041	3/8-16X 3/4H.C.S. GR5 ZI		
28	H0055	PLUG BUTTON .50 BLK PLAST		



## Pad Driver - SC6045A

Ref #	Part	Description	Comments	Qty
1	H0045	EXTERNAL RETAINING RING		
2	M0019	PEER BEARING #6307-2RS-CS		
3	M0014	PULLEY - 10 GROOVE		
4	M0019	PEER BEARING #6307-2RS-CS		
5	H0048	WAVE WASHER #SSR-0312		
6	S0004CP	20 BRUSH COVER CHROME MIR		
7	C0002-1	20 INCH BUMPER - RED		
8	C0012	18 FLEX PAD DRIVER ASSEMB		
9	H0032	1/4-28X1 MACH SC PHL FLT-		
10	H0059	#8 X 3/4 PAN HD PHILLIPS		
11	C0013-1	PAD CENTERING CLAMP #7924		
12	H0051	1/4-20 X 1/2 SET SCREW ZI		
13	H0053	KEY SQUARE .187 X 1 LNG Z		
14	C0014-1	BELT 320J10		
15	M0015	PULLEY - 10 GROOVE		
16	H0052	.312-18X3/8 SET SCREW ZIN		
17	M0004	SPACER - 1.175 LONG		
18	C0011M	MACH UP/LOW BRG HOUSE 150		
19	H0044	3/8-16 X 2-1/2 H.C.S. GR8		
20	W0005P	BLK OX-SHIFT DRIVE ASSEMBL		