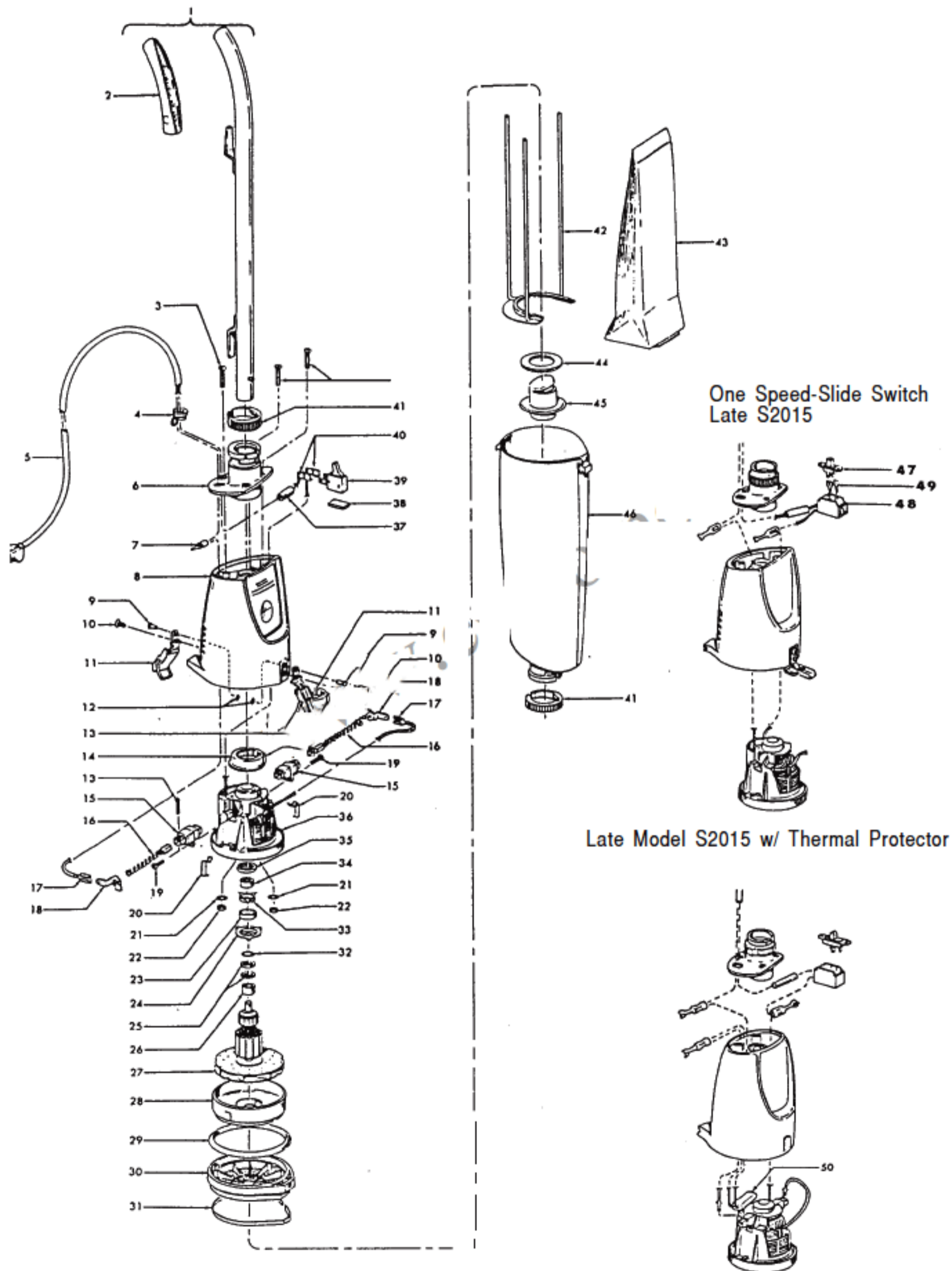


HOOVER Original

HANDIVAC

Models 2900, 2901, 2904, 2910, 2911, 2941, 2950, 2960,
2980, S2003, S2005, S2007, S2011, S2013, S2015, S2085



Original **HOOVER**

HANDIVAC

Models 2900, 2901, 2904, 2910, 2911, 2941, 2950, 2960, 2980, S2003, S2005, S2007, S2011, S2013, S2015, S2085

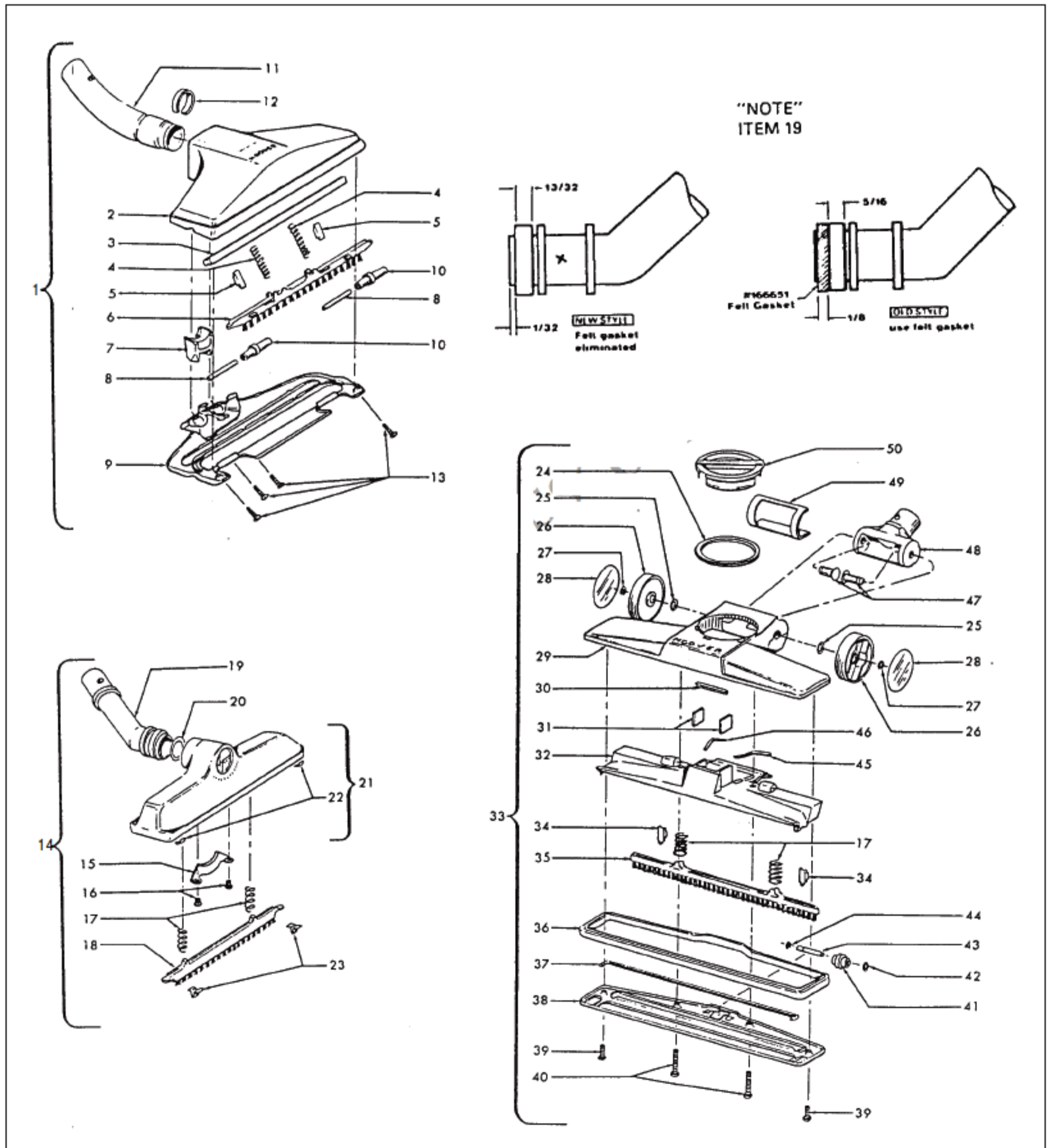
| KEY | PART NO. | DESCRIPTION | KEY | PART NO. | DESCRIPTION |
|-----|---------------|---|-----|-----------------------|--|
| 1 | H-15665 LL + | Handle - 2900, 2901, 2904, 2910, 2911, 2950 | 27 | H-44731003 | Armature & Fan Ass'y |
| | H-161412 LL + | Handle - 2941 | 28 | H-15293 | Fan Hsg. & Brg. Ass'y (Used on the following Models until 6/72 - 2900, 2901, 2904, 2910, 2911, 2941, 2950, 2960, 2980) |
| | H-161412 DM | Handle - 2960 | | H-163441 | Fan Housing & Bearing Ass'y |
| | H-166791 EK + | Handle - 2980 | 29 | H-15315 | Motor Gasket |
| | H-48646008 | Handle - S2003 | 30 | H-15326 BZ | Bulkhead (Req. Secondary Filter 15997) |
| | H-48646044 | Handle - S2005 | | H-19586 AG | Bulkhead - 2904, 2910 (Req. Secondary Filter 15997) |
| | H-48645023 | Handle - S2007 | | H-166116 AG | Bulkhead - S2003, S2005, S2007, S2011, S2013, S2015, S2085 |
| | H-48646012 + | Handle - S2011 | 31 | H-15330 | Bag Housing Gasket |
| | H-48643084 | Handle - S2015, S2013, S2085 | 32 | H-16816 * | Washer |
| 2 | H-12230 JM | Handle Grip - S2003, S2005, S2011, S2013 | 33 | H-15851 * | Bearing Retainer |
| | H-12230 DS + | Handle Grip | 34 | H-24117209 | Bearing |
| 3 | H-15738 EF | Screw (3) | 35 | H-15295 * | Felt Washer |
| 4 | H-12226 | Strain Relief Bushing | 36 | H-15272 + | Mtr. Casing & Field Ass'y (Used on the following Models until 6/72 - 2900, 2901, 2904, 2910, 2911, 2941, 2950, 2960, 2980) - Toggle Switch |
| | H-163768 | Strain Relief - S2011, S2013, S2015, S2085 | | H-45312021 | Mtr. Casing & Field Ass'y - Toggle Switch |
| 5 | H-46383241 | Attach. Cord | | H-45312055 | Mtr. Casing & Field Ass'y Model S2015's equipped w/Slide Switch |
| 6 | H-37226118 | Closure Plate - Common - One Speed - Toggle Switch | | H-45312033 * | Motor Case & Field Ass'y - S2085 |
| | H-42227098 | Closure Plate/Latch Ring - One Speed - Model S2015's equipped w/Slide Switch | 37 | H-31722007 * | Insulator |
| | H-42227090 | Closure Plate/Latch Ring - S2085 | 38 | H-15317 * | Switch Pad (Toggle Switch) |
| 7 | H-48969 * | Wire Nut | 39 | H-12971 * | Switch (Toggle) |
| 8 | H-42222057 | Motor Housing - 2900, 2911, 2941, 2960, 2980, S2003, S2005 | 40 | H-161350 | Terminal (2) - Toggle Switch |
| | H-161252 JM | Motor Housing - 2901, 2904, 2910, S2007 | 41 | H-36153008 | Latch Ring |
| | H-162909 AR + | Motor Housing - 2950 | 42 | H-15650 | Bag Support - Long - 2900, 2941, 2950, 2960, 2980, S2003, S2005, S2011, S2013 |
| | H-42221011 | Motor Housing - CD - S2011 | | H-15327 | Bag Support - Short - 2901, 2904, 2910, 2911, S2007, S2015, S2085 |
| | H-42221021 | Motor Housing - DS - S2013 | 43 | H-4010007 F | Throw Away Bag - 3 Pack - Long |
| | H-42221035 | Motor Housing w/Thermal Protector S2015 | 44 | H-4010008 G | Throw Away Bag - 3 Pack - Short |
| | H-42222149 | Motor Housing w/Thermal Protector S | 45 | H-17295 | Bag Sealing Collar |
| 9 | H-16195 * | Rivet (2) | 46 | H-15311 JM | Bag Gasket |
| 10 | H-12954 * | Screw (2) | | H-18351 JM | Bag Housing - Short - 2901, 2904, 2910, 2911, S2015, S2085 |
| 11 | H-15331 AY | Latch (2) | | H-164538 DR | Bag Housing - Short - S2007 |
| 12 | H-161549 | Washer (2) | | H-15652 LL + | Bag Housing - Long - 2900, 2941, 2960 |
| | H-21312758 | Washer (2) - S2085 | | H-163163 DS + | Bag Housing - Long - S2013 |
| 13 | H-49435 * | Cotter Pin (2) N.A. on Model S2015's equipped w/Slide Switch Model S2085 | | H-163753 LL + | Bag Housing - Long - 2950 |
| & | H-15316 | Motor Mount | | H-166787 EK + | Bag Housing - Long - 2980 |
| 14 | H-15275 AG | Brush Holder (2) | | H-42223006 | Bag Housing - Long - S2003 |
| 15 | H-161749 AG | Brush Holder (2) Model S2015's equipped w/Slide Switch; S2085 | | H-42223007 | Bag Housing - Long - S2011 |
| 16 | H-17353 | Motor Brush & Spring (2) | | H-42223011 + | Bag Housing - Long - S2005 |
| | H-47311004 | Mtr. Brush & Spring (2) Model S2015's equipped w/Slide Switch; S2085 | 47 | H-28177005 | Switch (Slide) - Late Model S2015's |
| 17 | H-12227 | Terminal (2) | | H-47517014 | Switch w/Diode - S2085 |
| | H-161876 | Terminal (2) Model S2015's equipped w/Slide Switch; S2085 | 48 | H-37922002 | Terminal Shield - Late Model S2015's, S2085 |
| 18 | H-15894 +* | Motor Brush Retainer (2) N.A. on Model S2015's equipped w/Slide Switch & Model S2085 | 49 | H-27666702 * | Terminal - Late Model S2015's, S2085 |
| 19 | H-162911 | Screw (2) | 50 | H-28382028 | Therma Protector - Late Model S2015's, S2085 |
| 20 | H-163416 | Clip (2) | | ITEMS NOT ILLUSTRATED | |
| | H-15744 | Clip (2) (Used on the following Models until 6/72 - 2900, 2901, 2904, 2910, 2911, 2941, 2950, 2960, 2980) | | H-43576019 | Motor Ass'y Comp. - Single Speed - Toggle Switch |
| 21 | H-21312759 * | Washer (2) | | H-43576051 | Motor Ass'y Comp. - Single Speed - Model S2015's equipped w/Slide Switch |
| 22 | H-162910 * | Nut (2) | | H-43576021 | Motor Ass'y Comp. - Two Speed - S2085 |
| 23 | H-12012 * | Absorbent Washer | | | |
| 24 | H-15850 * | Bearing Retainer Support | | | |
| 25 | H-15278 * | Fiber Washer (2) | | | |
| 26 | H-49344 * | Insulator | | | |
| | H-31148006 | Spacer - S2085 | | | |

HOOVER Original

HANDIVAC

Rug & Floor Nozzle

Models 2910, S2005, S2007, S1021, S1021-030, S2013, S2015, S2029, S2031, S2033, S2047, S2053, S2053-032, S2053-042, S2053-942, S2055, S2057, S2085



Original

HOOVER

HANDIVAC

Rug & Floor Nozzle

**Models 2910, S2005, S2007, S1021, S1021-030, S2013,
S2015, S2029, S2031, S2033, S2047, S2053, S2053-032,
S2053-042, S2053-942, S2055, S2057, S2085**

| KEY | PART NO. | DESCRIPTION | KEY | PART NO. | DESCRIPTION |
|-----|---------------|---|-----|--------------|--|
| 1 | H-43414101 | Rug & Floor Nozzle Comp. - AAP - S2031 | 28 | H-169242 | Wheel Cover (2) - S2029, S2053, S2053-042, S2053-942, S2055 |
| 2 | H-38615156 | Nozzle - JM - S2031 | 29 | H-169260 EU | Rug & Floor Nozzle - S2029 |
| 3 | H-16214 | Gasket - S2031 | | H-169260 JZ | Rug & Floor Nozzle - S2053 |
| 4 | H-15963 FW | Spring (2) - S2031 | | H-169260 FN | Rug & Floor Nozzle - S2055 |
| 5 | H-13261 AY * | Rug Nozzle Rib Shoe (2) - S2031 | | H-38615164 | Rug & Floor Nozzle - S2053-042, S2053-942 |
| 6 | H-16184 | Brush Back Ass'y - S2031 | 30 | H-34112001 | Seal - Foam - S2029, S2053, S2053-042, S2053-942, S2055 |
| 7 | H-161413 * | Nozzle Tube Retainer - S2031 | 31 | H-34223002 | Seal - Felt (2) - S2029, S2053, S2053-042, S2053-942, S2055 |
| 8 | H-13272 + | Roller Shaft (2) - S2031 | 32 | H-169250 AG | Brush Housing - S2029, S2053, S2053-042, S2053-942, S2055 |
| 9 | H-42246002 | Bottom Plate-Edge Cleaning - S2031 | 33 | H-43414101 | Rug & Floor Nozzle Comp.- AAP - S2029, S2053 |
| 10 | H-13157 AG | Roller (2) - S2031 | | H-48476053 + | Rug & Floor Nozzle Comp. - JZ |
| 11 | H-43463012 | Nozzle Connector Tube - JM - S2031 | | H-48476054 | Rug & Floor Nozzle Comp. - FN - S2055 |
| 12 | H-13267 +* | Gasket - S2031 | | H-48476091 | Rug & Floor Nozzle Comp. - MX - S2053-042, S2053-942 |
| 13 | H-12955 | Screw - Self Tapping (4) - S2031 | 34 | H-169253 AY | Rib Shoe (2) - S2029, S2053, S2053-042, S2053-942, S2055 |
| 14 | H-43414121 | Rug & Floor Nozzle Comp. - JM - 2910, S2005, S2007, S1021, S1021-030, S2013, S2015, S2033, S2047, S2053-032, S2057, S2085 | 35 | H-169256 | Brush Back Comp. - S2029, S2053, S2053-042, S2053-942, S2055 |
| 15 | H-166650 AY | Connector Tube Clamp - 2910, S2005, S2007, S1021, S1021-030, S2013, S2015, S2033, S2047, S2053-032, S2057, S2085 | 36 | H-169247 JM | Furniture Guard - Litter Picker |
| 16 | H-166648 AW * | Screw - Self Tapping (2) - 2910, S2005, S2007, S1021, S1021-030, S2013, S2015, S2033, S2047, S2053-032, S2057, S2085 | | H-169247 AG | Furniture Guard - Litter Picker - S2053-042, S2053-942 |
| 17 | H-166649 FW | Spring (2) - 2019, S2005, S2007, S1021, S1021-030, S2013, S2015, S2029, S2033, S2047, S2053-032, S2057, S2085 | 37 | H-169251 | Gasket - S2029, S2053, S2053-042, S2053-942, S2055 |
| 18 | H-166656 | Brush Block - 2910, S2005, S2007, S1021, S1021-030, S2013, S2015, S2033, S2047, S2053-032, S2057, S2085 | 38 | H-169538 | Bottom Plate Ass'y - S2029, S2053, S2053-042, S2053-942, S2055 |
| 19 | H-166652 JM | Nozzle Tube - 2910, S2005, S2007, S1021, S1021-030, S2013, S2015, S2033, S2047, S2057 (See Note) | 39 | H-21481464 | Screw (2) - S2029, S2053, S2053-042, S2053-942, S2055 |
| 20 | H-166651 | Gasket - Felt - 2910, S2005, S2007, S1021, S1021-030, S2013, S2015, S2033, S2047, S2057 | 40 | H-21481465 | Screw (2) - S2029, S2053, S2053-042, S2053-942, S2055 |
| 21 | H-43482057 | Nozzle, Lock, Pad Ass'y - 2910, S2005, S2007, S1021, S1021-030, S2013, S2015, S2033, S2047, S2053-032, S2057, S2085 | 41 | H-169243 AG | Roller - S2029, S2053, S2053-042, S2053-942, S2055 |
| 22 | H-34121001 | Pad - Felt (2) - 2910, S2005, S2007, S1021, S1021-030, S2013, S2015, S2033, S2047, S2053-032, S2057, S2085 | 42 | H-21312758 * | Washer - S2029, S2053, S2053-042, S2053-942, S2055 |
| 23 | H-166646 | Brush Retainer Clips (2) - 2910, S2005, S2007, S1021, S1021-030, S2013, S2015, S2033, S2053-032, S2047, S2085 | 43 | H-169244 AW | Roller Shaft - S2029, S2053, S2053-042, S2053-942, S2055 |
| 24 | H-34113001 + | Seal - Foam - S2029, S2053, S2055 | 44 | H-24735081 * | Lock Ring - S2029, S2053, S2053-042, S2053-942, S2055 |
| 25 | H-169241 AW * | Washer (2) - S2029, S2053, S2053-042, S2053-942, S2055 | 45 | H-34513001 | Seal - Foam L.H. - S2029, S2053, S2053-042, S2053-942, S2055 |
| 26 | H-169239 JR | Wheel (2) - S2029 | 46 | H-34513002 | Seal - Foam R.H. - S2029, S2053, S2053-042, S2053-942, S2055 |
| 27 | H-13730 | Wheel - S2053, S2053-042, S2053-942, S2055 | 47 | H-169240 AY | Wheel Shaft (2) - S2029, S2053, S2053-042, S2053-942, S2055 |
| | | Lock Ring (2) - S2029, S2053, S2053-042, S2053-942, S2055 | 48 | H-169249 JM | Connecting Tube Ass'y - S2029, S2053-042, S2053-942, S2055 |
| | | | | H-43486002 | Connecting Tube Ass'y - S2053 |
| | | | 49 | H-34122006 | Seal - S2029, S2053, S2053-042, S2053-942, S2055 |
| | | | 50 | H-43271039 | Suction Control Knob - JM - S2029, S2053 |
| | | | | H-43271042 + | Suction Control Knob - JX - S2055 |
| | | | | H-169254 MX | Suction Control Knob - S2053-042, S2053-942 |