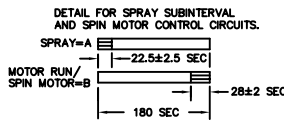
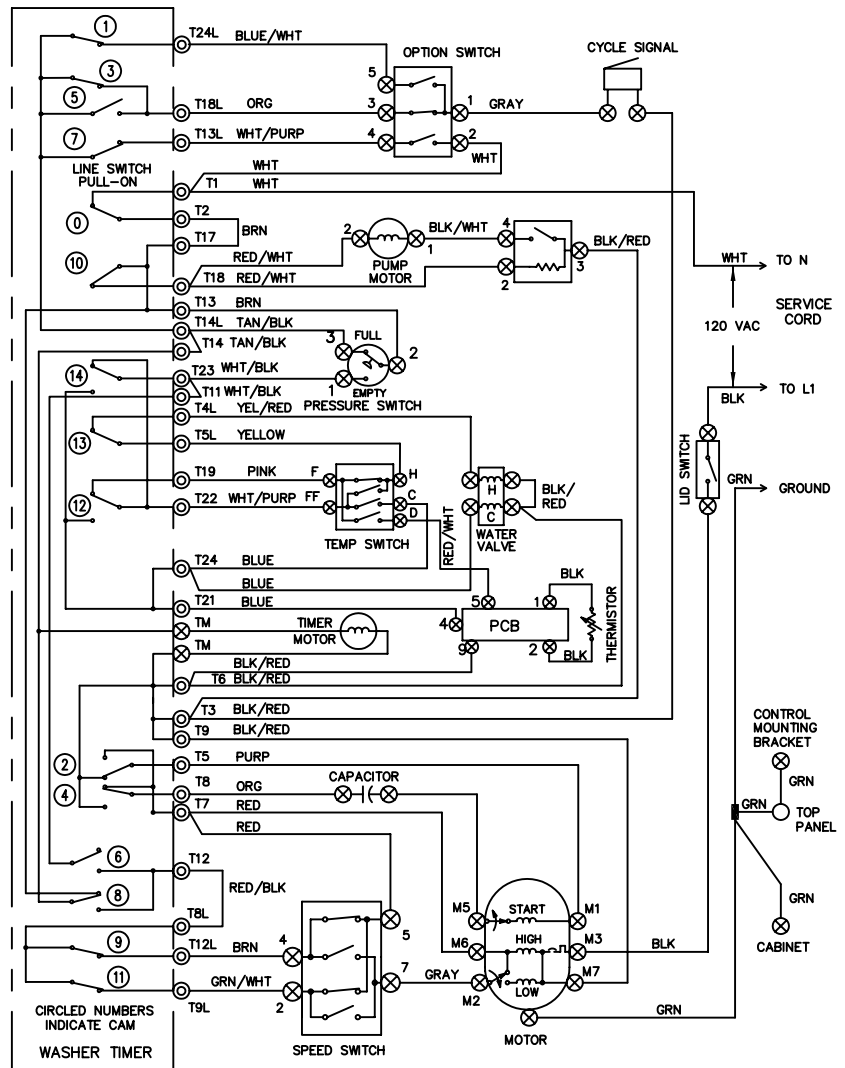
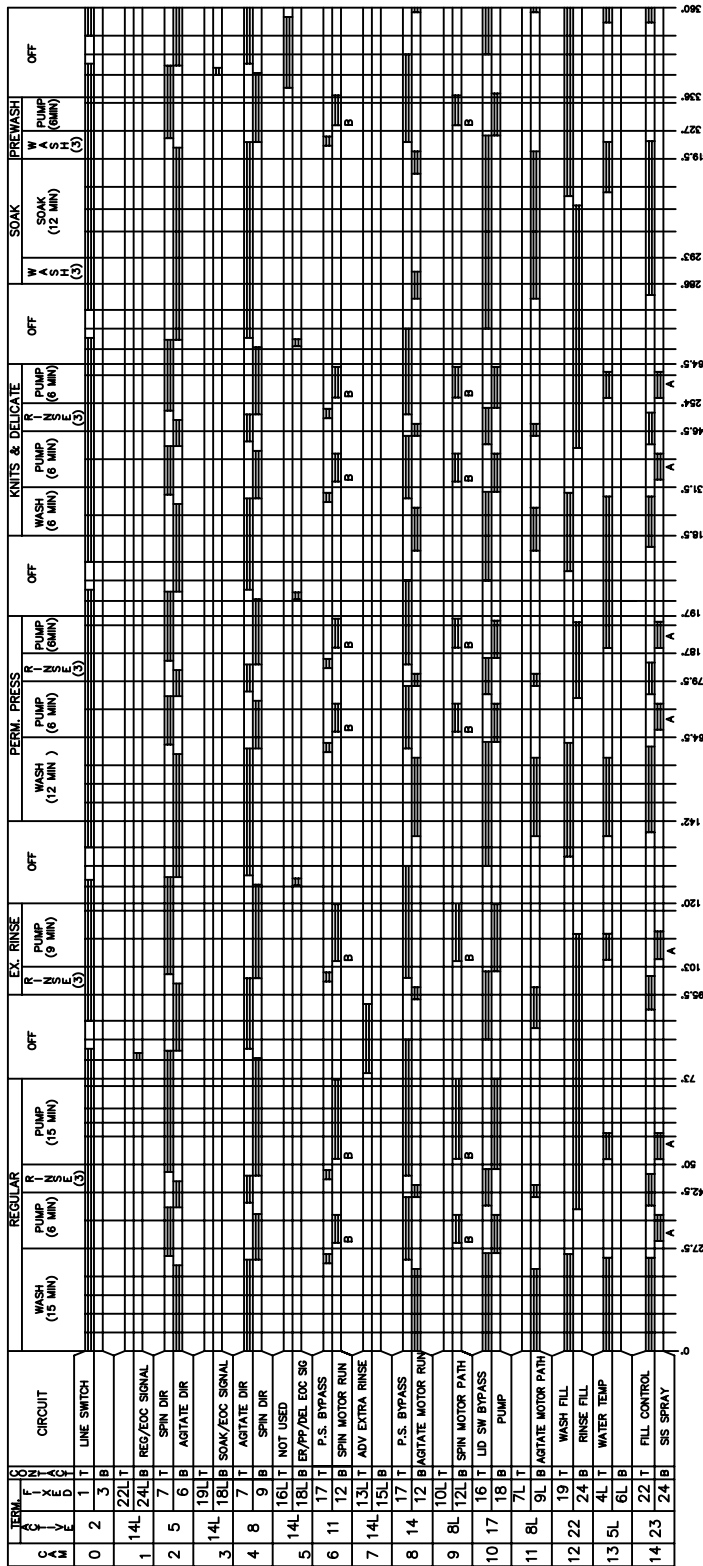


CAUTION: DISCONNECT ELECTRIC CURRENT BEFORE SERVICING

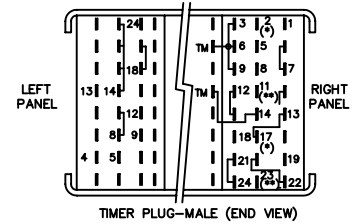


TEMPERATURE SWITCH CIRCUIT				
WASH/RINSE	F-H	FF-H	FF-C	F-D
R H/C	X			X
W/C	X		X	
C/C			X	
W/W		X	X	

H=HOT R=REGULATED  
C=COLD  
W=WARM

OPTION SWITCH			
POSITION	2-4	1-5	1-3
EXTRA RINSE	X		
EX RINSE/EOC SIG	X		X
EOC SIGNAL		X	X
OFF			

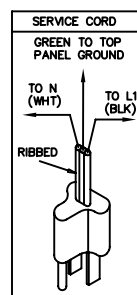
X=CLOSED



WIRING CODES				
⊗	PLUG IN TIMER TERMINAL			
⊙	QUICK DISCONNECT TERMINAL			
○	SCREW TERMINAL			
+	CONNECTION			
+	NO CONNECTION			
+	MOTOR SWITCH			
+	SPLICE			
+	MOTOR PROTECTOR			
+	CHASSIS (CABINET) GROUND			

SPEED SWITCH CIRCUIT				
AGIT/SPIN	2-5	2-7	4-7	4-5
N/N	X			X
N/S	X		X	
S/N (OPT)		X		X
S/S		X	X	

N=NORMAL S=SLOW X=CLOSED



CAUTION: DISCONNECT ELECTRIC CURRENT BEFORE SERVICING

WIRING DIAGRAM PART NO. 137108500 A