

This Owner's Manual is provided and hosted by [Appliance Factory Parts](#).



FISHER PRICE 74180 Owner's Manual

[Shop genuine replacement parts for FISHER PRICE
74180](#)



[Find Your FISHER PRICE Ride On Parts - Select From 999 Models](#)

----- Manual continues below -----



Owner's Manual with Assembly Instructions

Please read this manual and save it with your original sales receipt.
For Model 74180

Tools needed for assembly: Phillips Screwdriver, Safety Scissors and Hammer.
Use only with a Power Wheels® Type H 6 Volt Battery, Power Wheels® Thermal Fuse and Power
Wheels® Type H 6 Volt Charger (all included).

Table of Contents

A	Important Information	.2
B	Warnings	.3
C	Parts	.4
D	Parts Diagram	.6
E	Battery Charging	.7
F	Assembly	.9
G	Label Decoration	.14
H	Battery Installation	.15
I	Battery Care and Disposal	.16
J	Rules for Safe Driving	.16
K	How to Operate Your Vehicle	.18
L	Caring for Your Vehicle	.19
M	Statement of Limited Warranty	.19
N	Problems and Solutions Guide	.20
O	Authorized Service Centers	.24

A

Important Information

- Your new vehicle requires adult assembly. Please set aside at least 30 minutes for assembly.
 - You must charge your battery for 18 - 30 hours **BEFORE YOU USE YOUR VEHICLE FOR THE FIRST TIME**. We recommend that you start charging your battery before beginning assembly. Please see "Battery Charging" beginning on page 7 for detailed instructions.
 - Read this manual carefully for important safety information and operating instructions before using your vehicle.
 - This vehicle is designed for use on asphalt or other hard surfaces by children 3 years of age and older.
 - This vehicle has an adjustable play seat belt. Please note that the adjustable seat belt is designed to be a play feature only and does not function as a protective safety restraint.
 - To prevent damaging the motors and gears, do not tow anything behind the vehicle or overload it. Do not exceed the maximum weight capacity of 65 lbs (30 kg).
 - If you have any questions about your Power Wheels® vehicle, please call our toll-free service lines at **1-800-348-0751** from 8 AM to 6 PM (EST) Monday through Friday. Trained customer service representatives are available to take your call in English or French.
- Habla Español? Si usted tiene alguna pregunta ó necesita asistencia llame gratis **1-800-348-0755** para los Estados Unidos. Tenemos representantes que hablan español para atender su llamada.
- For your convenience, Power Wheels maintains an Authorized Service Center Network with more than 400 authorized service centers nationwide. Our authorized service centers will repair or replace parts under warranty at no extra charge, and can perform non-warranty repairs for a minimal charge. Please see the Authorized Service Center list beginning on page 24 to find the authorized service center nearest to you, or call **1-800-348-0751**.
 - Please complete and return the enclosed Registration Card today, or call **1-800-348-0751** to register your vehicle by phone.



CAUTION

Use the charger indoors only.

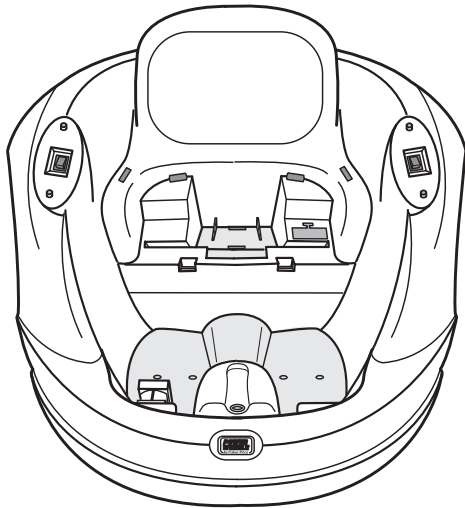
 **WARNING**

- Children can be harmed by small parts, sharp edges and sharp points in the vehicle's unassembled state, or by electrical items. Care should be taken in unpacking and assembly of the vehicle. Children should not handle parts, including the battery, or help with assembly of the vehicle.
- Keep small parts and plastic bags out of children's reach. Dispose of plastic bags properly.
- Adult supervision is required. Children do not have the judgement necessary to avoid many accidents. Be sure that children operating this vehicle can do so safely and that they are supervised at all times.
- Never use near steps, driveways, steep inclines, roadways, alleys, swimming pool areas or other bodies of water.
- Always wear shoes or sneakers when operating this vehicle.
- Never allow more than one rider.
- The rider should sit on the seat when the vehicle is in operation.
- **Hot** motor covers. Handle carefully.
- The thermal fuse can get **hot**. Handle carefully.
- Never alter this vehicle or its electrical system in any way. Alterations could cause a fire resulting in injury and could also ruin the electrical system.
- Use of the wrong type battery, fuse or charger could cause a fire or explosion, resulting in serious injury.
- Use of Power Wheels® components in products other than Power Wheels® vehicles could cause overheating, fire or explosion.
- The battery must be handled by adults only. The battery is heavy and contains sulfuric acid (electrolyte). Dropping the battery could result in serious injury.
- Never lift or carry the battery by the wires or connector. This can damage the battery and possibly cause a fire resulting in injury. Lift and carry the battery by the case only.
- Read the cautions on the back panel of the battery.
- Never allow children to charge the battery. Battery charging must be done by adults only. A child could be injured by the electricity involved in charging the battery.
- Examine the battery, charger and their connectors for excessive wear or damage each time you charge the battery. If damage or excessive wear is detected, do not use the vehicle until you have replaced the worn or damaged part as it could possibly cause a fire resulting in injury.

C

Parts

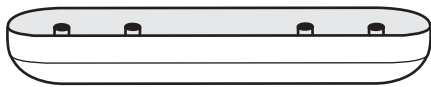
- If you experience a problem with this product, or are missing a part, please call us at **1-800-348-0751**, rather than return this product to the store.
- Please identify all parts before assembly and save all packaging material until assembly is complete to ensure that no parts are discarded.
- Metal parts have been coated with a lubricant to protect them during shipment. Wipe all metal parts with a paper towel to remove any excess lubricant.



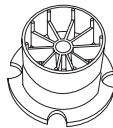
Vehicle Body



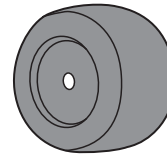
Wheel - 2



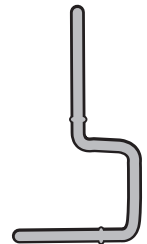
Skid Guard



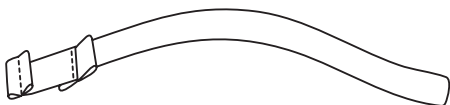
Driver - 2



Pivot Wheel



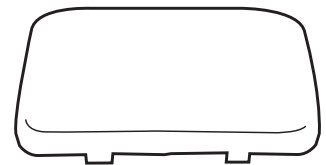
Pivot Axle



Retainer Strap - 2 Sets (4 pieces)
(For Seat Belt and Battery)



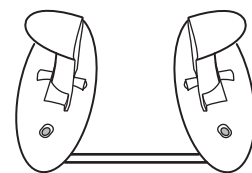
Steel Bracket



Seat



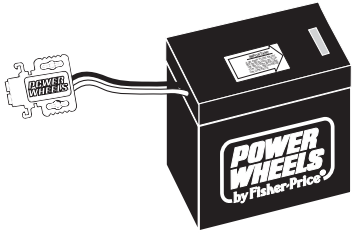
Long Axle



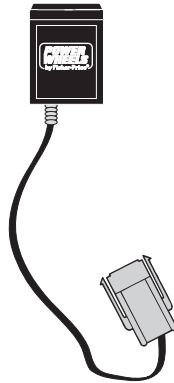
Right
Shifter

Left
Shifter

Parts



6 Volt Battery



6 Volt Charger



Round Bushing - 3



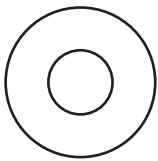
Thermal Fuse



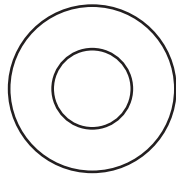
Wire Retainer - 4



Hex Bushing - 2



$\frac{5}{16}$ " (Small Diameter) Washer - 2



$\frac{7}{16}$ " (Large Diameter) Washer - 2



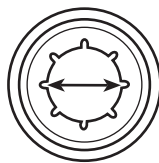
#12 x 1 1/2" Screw



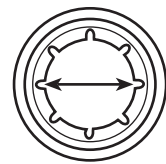
#8 x 1" Screw - 12



.354 (Small Diameter) Cap Nut - 4*



.437 (Large Diameter) Cap Nut - 4*

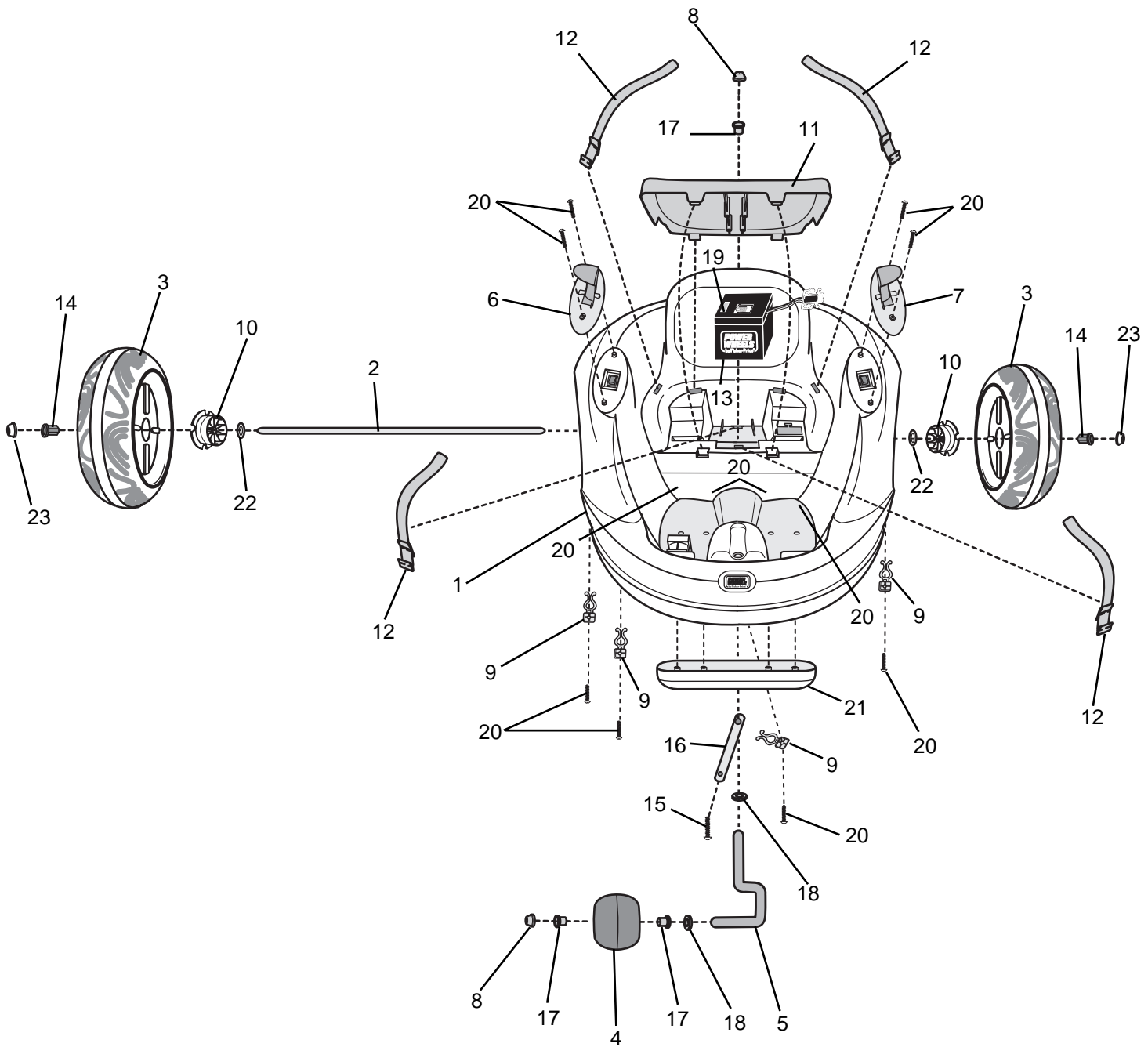


All Shown Actual Size

*For your convenience, four extra cap nuts have been included; two .354 and two .437.

D

Parts Diagram



- | | | |
|--------------------------------------|---|--|
| 1. Vehicle Body | 11. Seat | 18. $\frac{5}{16}$ " (Small Diameter) Washer - 2 |
| 2. Long Axle | 12. Retainer Straps - 2 Sets
(Seat Belt and Battery) | 19. Thermal Fuse |
| 3. Wheel - 2 | 13. 6 Volt Battery | 20. #8 x 1" Screw - 12 |
| 4. Pivot Wheel | 14. Hex Bushing - 2 | 21. Skid Guard |
| 5. Pivot Axle | 15. #12 x 1 $\frac{1}{2}$ " Screw | 22. $\frac{7}{16}$ " (Large Diameter) Washer - 2 |
| 6. Right Shifter | 16. Metal Bracket | 23. .437 (Large Diameter) Cap Nut - 2 |
| 7. Left Shifter | 17. Round Bushing - 3 | Not Shown |
| 8. .354 (Small Diameter) Cap Nut - 2 | | Label Sheet |
| 9. Wire Retainer - 4 | | 6 Volt Charger |
| 10. Driver - 2 | | |

 **WARNING**

- The battery must be handled by adults only. The battery is heavy and contains sulfuric acid (electrolyte). Dropping the battery could result in serious injury.
- Never allow children to charge the battery. Battery charging must be done by adults only. A child could be injured by the electricity involved in charging the battery.
- The thermal fuse can get **hot**. Handle carefully.
- Use of the wrong type battery, fuse or charger could cause a fire or explosion, resulting in serious injury.
- Use of Power Wheels® components in products other than Power Wheels® vehicles could cause overheating, fire or explosion.
- Read the cautions on the back panel of the battery.
- Never lift or carry the battery by the wires or connectors. This can damage the battery and possibly cause a fire. Lift and carry the battery by the case only.
- Examine the battery, charger and their connectors for excessive wear or damage each time you charge the battery. If damage or excessive wear is detected, do not use the charger or the vehicle until you have replaced the worn or damaged part as it could possibly cause a fire resulting in injury.
- Never alter this vehicle or its electrical system in any way. Alterations could cause a fire resulting in injury and could also ruin the electrical system.

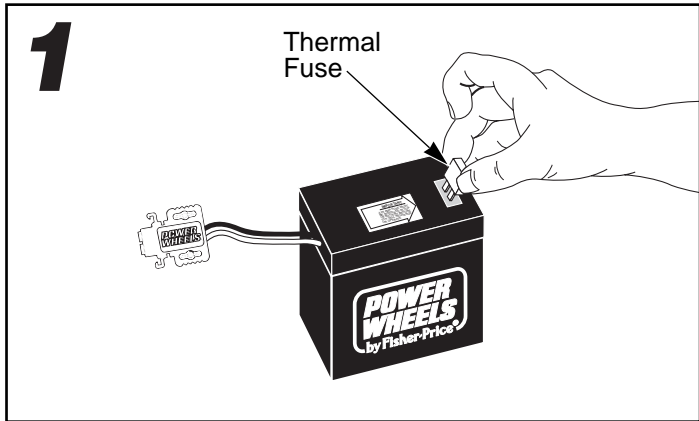
 **CAUTION**

Use the charger indoors only.

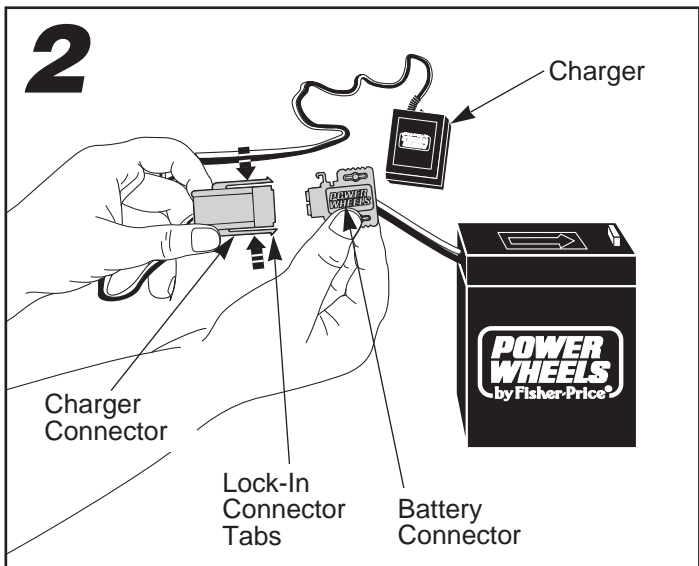
Important Notes:

- **Your new battery must be charged for at least 18 hours before you use it in your vehicle for the first time.**
- We recommend that you start charging your battery before beginning assembly of your new vehicle.
- Use only a Power Wheels® Type H 6 volt charger (120 VAC 60 Hz 12W with an output of 6.0 VDC (800mA) to charge your Power Wheels® 6 volt battery.
- The charger is not a toy.
- Before charging the battery, examine the battery case for cracks or other damage which may allow sulfuric acid (electrolyte) to leak during the charging process. Never attempt to charge a damaged battery. If damage is detected, do not charge the battery or use it in your vehicle. Battery acid is very corrosive and can cause severe damage to surfaces it contacts. Take precautions to protect any surface on which you charge the battery.
- The battery must be upright while charging.
- Do not short circuit the battery.
- You do not need to remove the battery from your vehicle to recharge it.
- If your battery is old and will not accept a charge, do not leave it in the vehicle. Always remove a dead battery from the vehicle.

Battery Charging

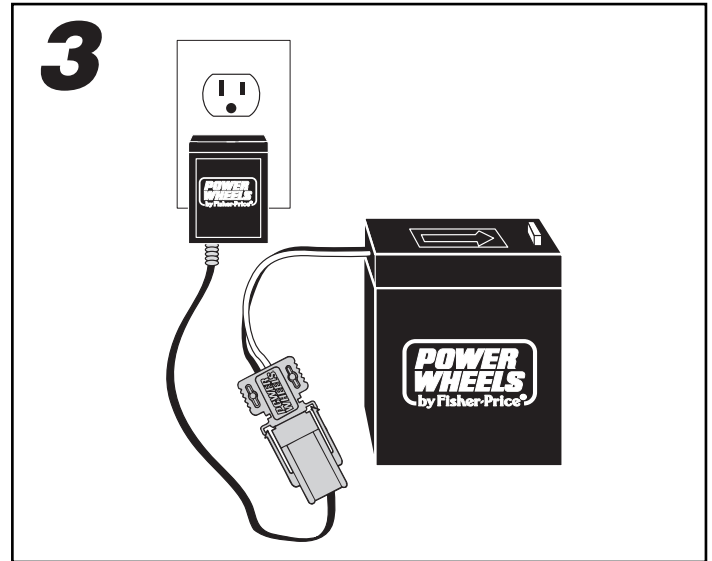


- If you are charging the battery for the first time, insert a thermal fuse into the battery. The battery will not charge unless a thermal fuse is installed.
- If you are recharging your battery, make sure the thermal fuse already installed in the battery is in good condition. Remove the fuse from the battery and shake it gently. If it rattles, it is damaged. Replace a damaged fuse with a new Power Wheels® thermal fuse.

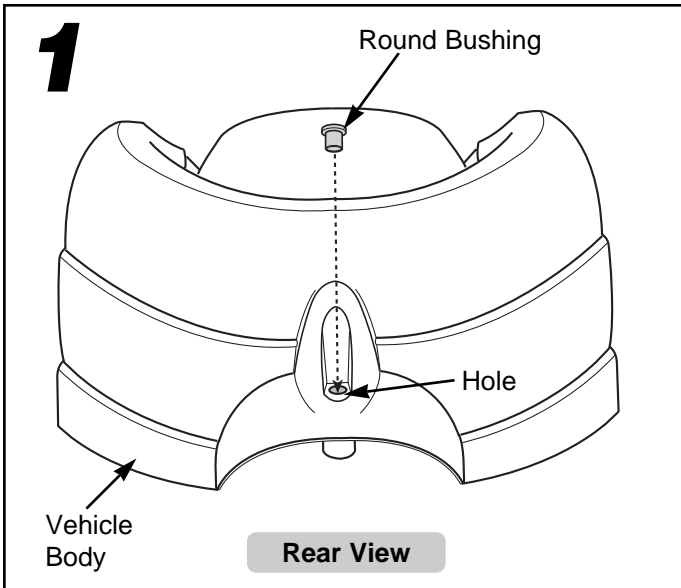


- Squeeze the Lock-In connector tabs on the charger connector and plug it into the battery connector.

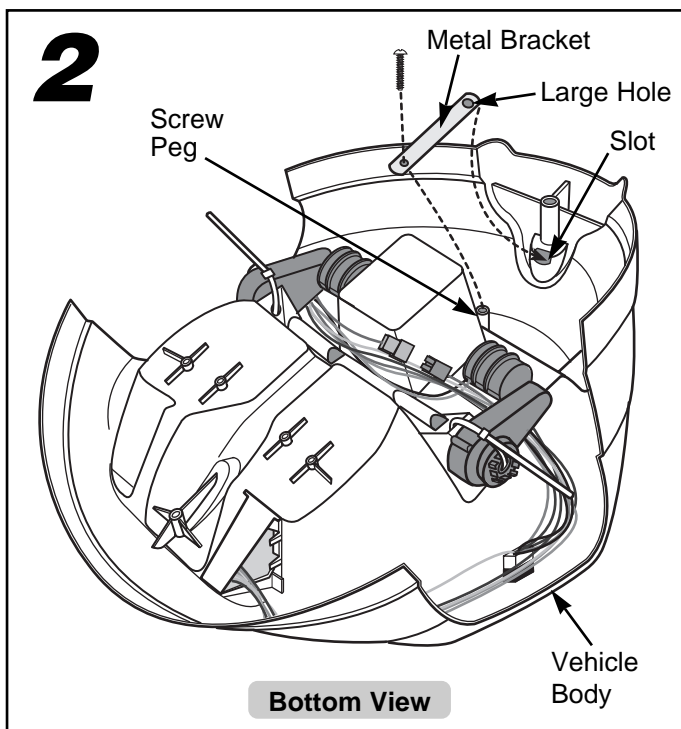
IMPORTANT NOTE! If you are recharging your battery, you will first need to disconnect the battery connector from the motor harness connector under the seat of your vehicle.



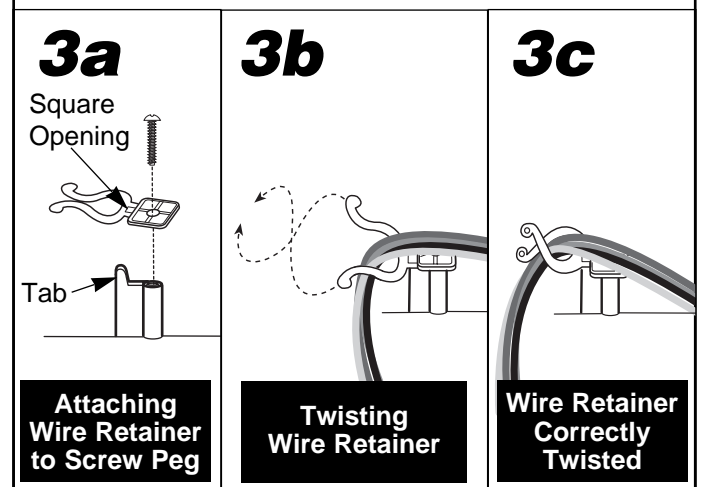
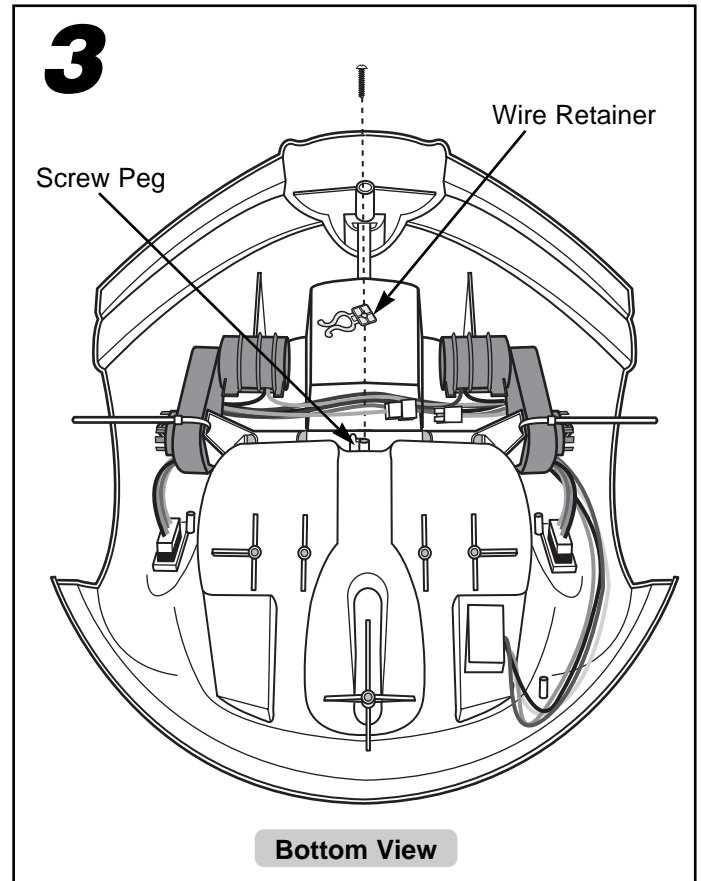
- Plug the charger into a standard 120 volt wall outlet.
Note: If power flow to the wall outlet is controlled by a switch, make sure the switch is **ON**.
- Before first time use, charge the battery for **at least 18 hours**. Never charge the battery longer than 30 hours.
Note: The battery must be upright while charging.
- Recharge the battery after each use of your vehicle for at least 14 hours. Do not charge the battery longer than 30 hours.
- Once the battery is charged, disconnect the charger connector from the battery connector. Unplug the charger from the wall outlet. The battery is now ready to be installed in your vehicle. Please see "Battery Installation" on page 15 for detailed instructions on installing your battery. If your battery is already installed in your vehicle, simply re-connect the battery connector and motor harness connector and re-assemble the seat.



- Position the vehicle body upright.
- Fit and hold a round bushing into the hole in the rear of the vehicle body.



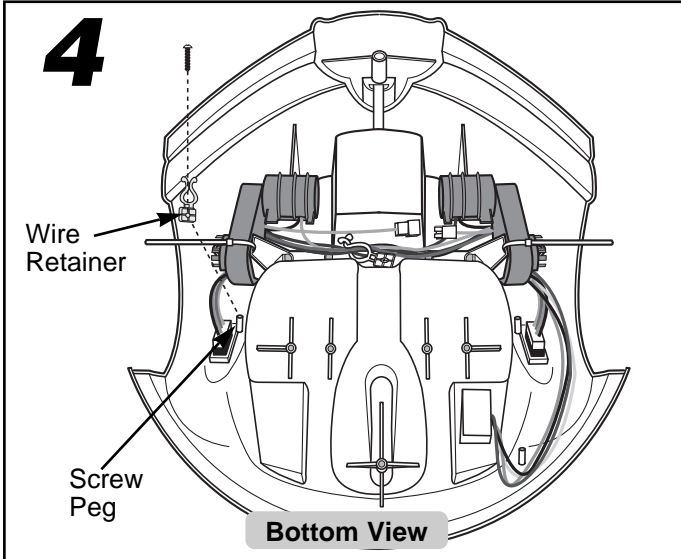
- Position the vehicle body upside down.
- Slide the end of the metal bracket with the large hole through the slot in the rear of the vehicle body to cover and hold the round bushing.
- Align the small hole at the other end of the bracket with the screw peg on the vehicle body.
- Insert a #12 x 1 1/2" screw through the small hole in the bracket and into the screw peg.
- Tighten the screw with a Phillips screwdriver. Do not over-tighten.



- Fit a #8 x 1" screw through a wire retainer and into the screw peg at the center of the vehicle body. The square opening in the wire retainer should fit onto the tab on the screw peg (3a).
- Tighten the screw with a Phillips screwdriver. Do not over-tighten.
- Place the wires between the wire retainer arms (3b).
- Twist the ends of the wire retainer arms together to secure the wires against the bottom of the vehicle body (3c).

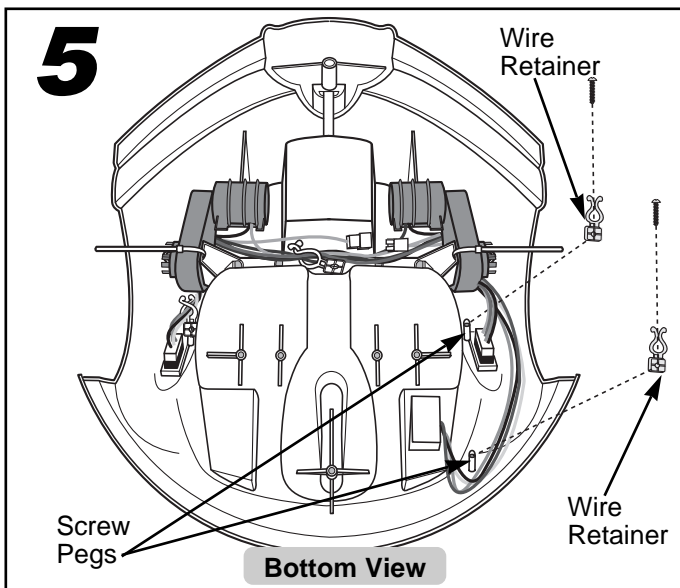
Assembly

4



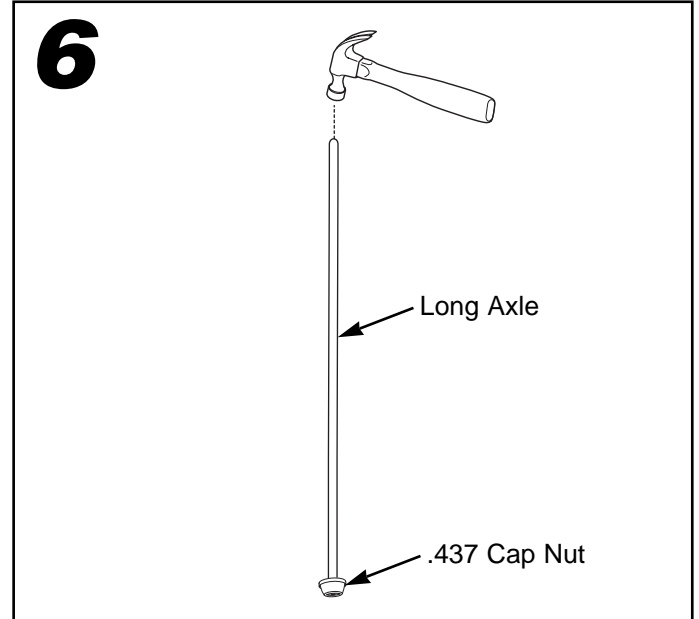
- Fit a #8 x 1" screw through a wire retainer and into the screw peg at the left side of the vehicle body, near the wire connectors. The square opening in the wire retainer should fit onto the tab on the screw peg.
- Tighten the screw with a Phillips screwdriver. Do not over-tighten.
- Place the wires between the wire retainer arms.
- Twist the ends of the wire retainer arms together to secure the wires against the bottom of the vehicle body.

5



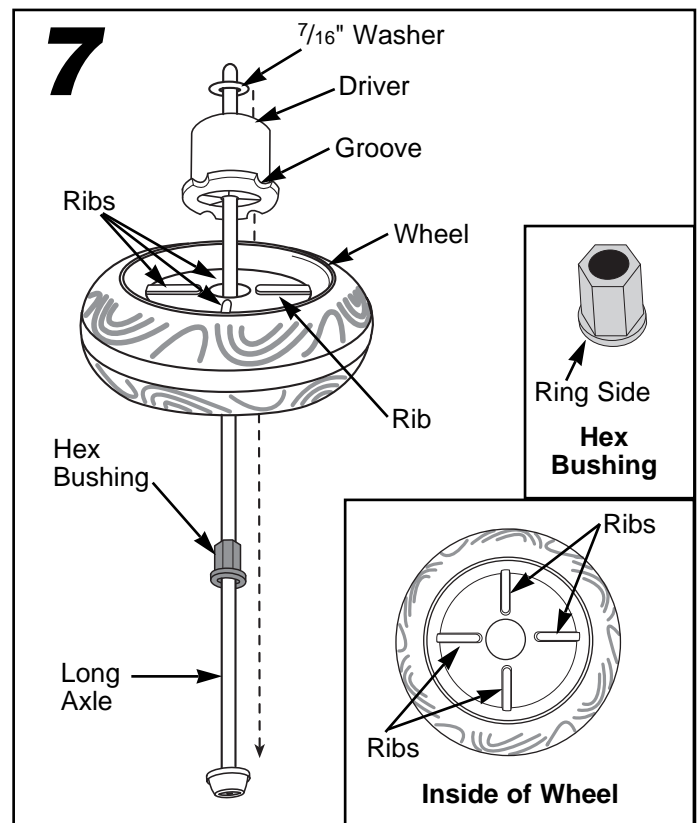
- Fit two #8 x 1" screws through two wire retainers and into the screw pegs at the right side of the vehicle body, as shown. The square opening in the wire retainers should fit onto the tab on the screw pegs.
- Tighten the screws with a Phillips screwdriver. Do not over-tighten.
- Place the wires between the wire retainer arms.
- Twist the ends of the wire retainer arms together to secure the wires against the bottom of the vehicle body.

6



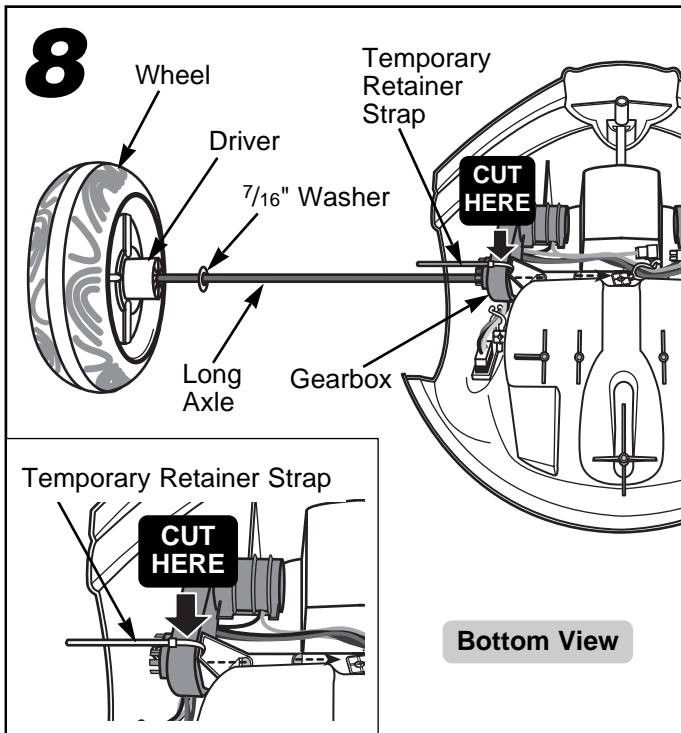
- Fit a .437 (large diameter) cap nut onto one end of the long axle.
- Tap the other end of the long axle with a hammer to secure the cap nut on the axle.

7

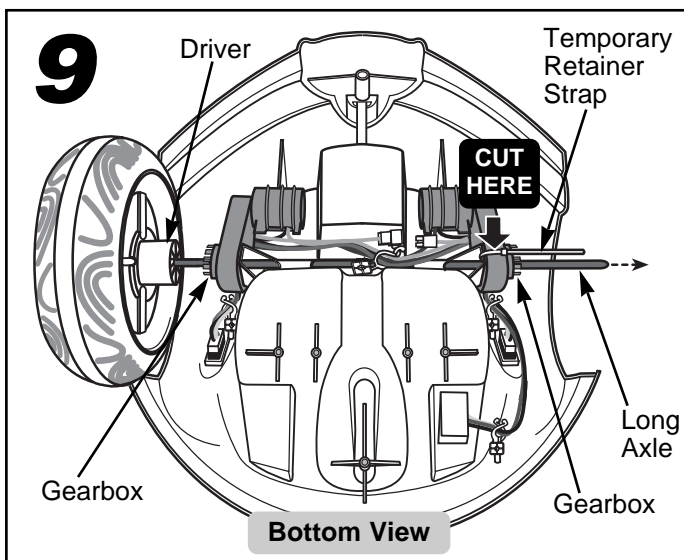


- Fit a hex bushing (ring side first), large wheel (inside surface up), driver (ring side first) and 7/16" (large diameter) washer on the long axle. **Make sure that the grooves in the driver fit around the ribs on the inside surface of the wheel.**

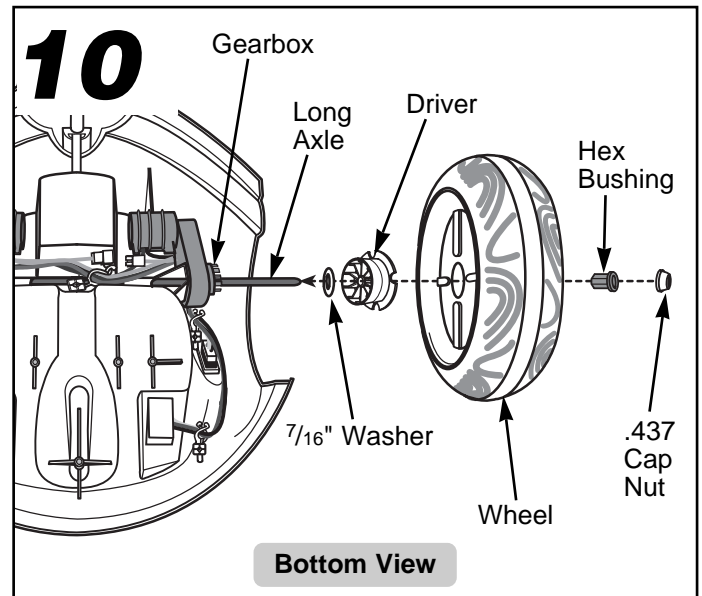
Assembly



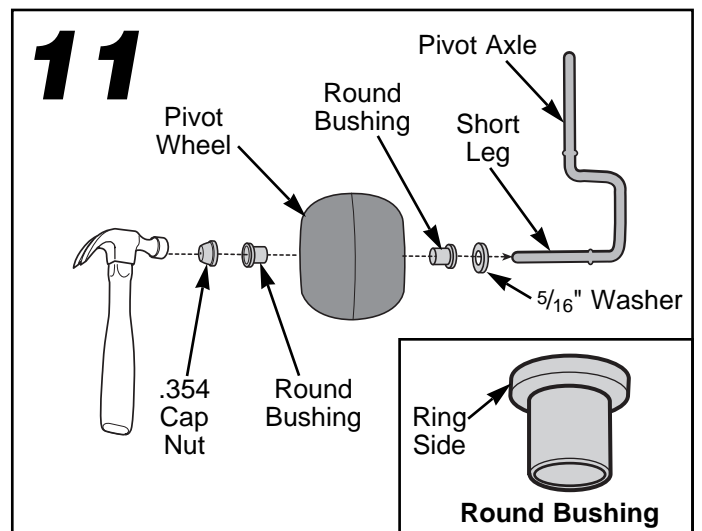
- While carefully holding a gearbox in place, cut and remove the temporary retainer strap from the gearbox using safety scissors (see inset). Properly dispose of the retainer strap.
- While holding the gearbox in place, slide the end of the long axle through the gearbox and into the vehicle body until the end of the axle is at the center of the vehicle body.



- While carefully holding the other gearbox in place, cut and remove the temporary retainer strap from the gearbox using safety scissors. Properly dispose of the retainer strap.
- While holding the gearbox in place, continue to slide the long axle through the vehicle body and out through the gearbox. **The driver may need to be rotated so that it fits onto the teeth on the gearbox.**



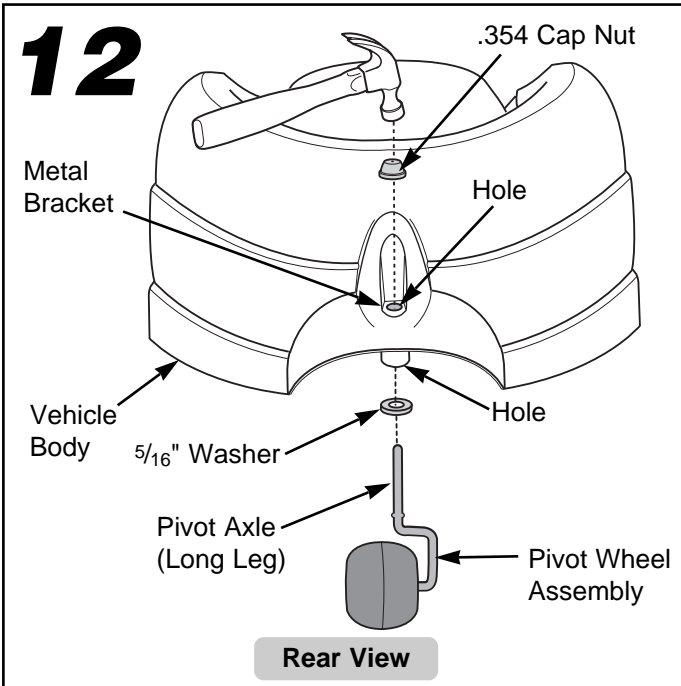
- Fit a $7/16$ " (large diameter) washer onto the end of the long axle.
- Fit a driver (ring side out) onto the end of the axle. **The driver may need to be rotated so that it fits onto the teeth on the gearbox.**
- Fit a large wheel (inside surface first) and hex bushing (barrel side first) onto the end of the axle. **Make sure that the ribs on the wheel fit into the grooves on the driver.**
- Fit a .437 (large diameter) cap nut onto the axle end.
- Support the opposite end of the axle and tap the cap nut with a hammer to secure it on the end of the axle.



- Fit a $5/16$ " (small diameter) washer, round bushing (ring side first), pivot wheel and a second round bushing (barrel side first) onto the short leg of the pivot axle.
- Fit a .354 (small diameter) cap nut on the end of the pivot axle's short leg.
- Tap the cap nut with a hammer to secure it on the end of the pivot axle.

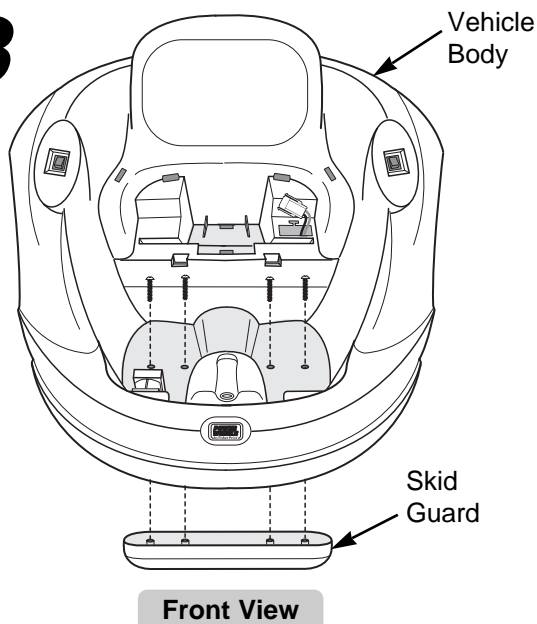
Assembly

12



- Position the vehicle body upright.
 - Fit a $\frac{5}{16}$ " (small diameter) washer onto the long leg of the pivot axle.
 - Face the rear of the vehicle body.
 - Insert the pivot axle leg up through the hole in the underside of the vehicle body and out through the hole in the metal bracket at the rear of the vehicle body.
- Note:** You may need to flex the vehicle body to align the pivot axle with the hole in the metal bracket.
- Fit a .354 (small diameter) cap nut onto the end of the pivot axle and tap the cap nut with a hammer to secure it.

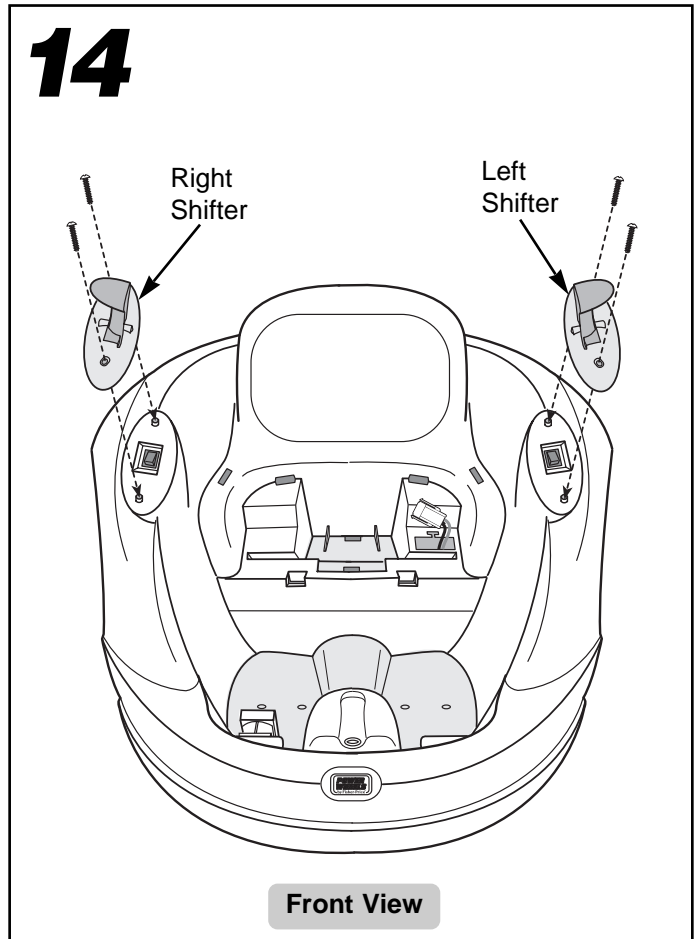
13



- Face the front of the vehicle body.

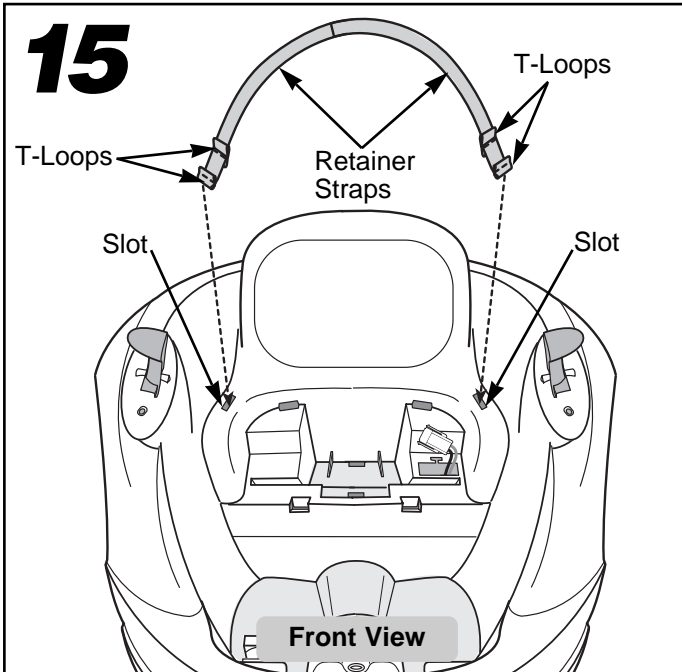
- Fit the skid guard under the vehicle body with the pegs on the skid guard aligned with the holes in the vehicle body floor.
- Insert four #8 x 1" screws through the vehicle body floor and into the skid guard.
- Tighten the screws with a Phillips screwdriver. Do not over-tighten.

14



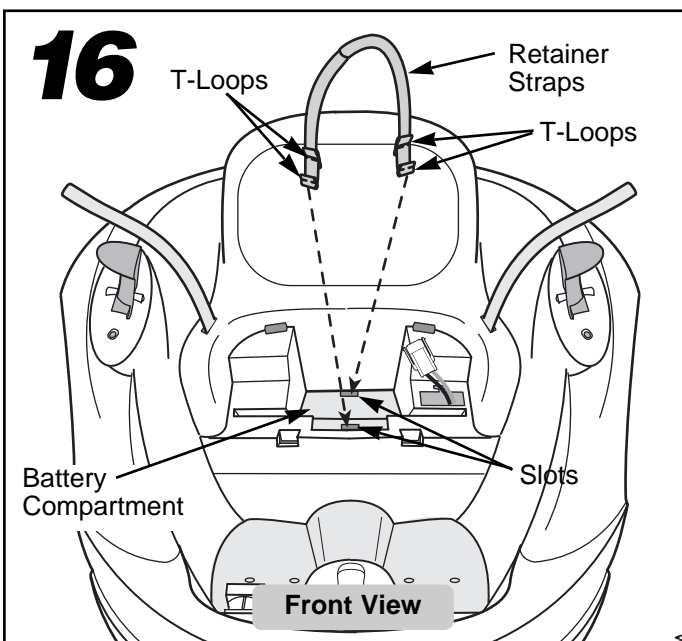
- Using safety scissors, separate the right and left shifters from the plastic connector. Dispose of the plastic connector properly.
- Identify the right and left shifters. The right shifter is marked **R** on the underside of the shifter plate; the left shifter is marked **L**.
- Fit the right shifter (**R**) onto the right side of the vehicle body, marked **R**.
- Insert two #8 x 1" screws through the shifter plate and into the vehicle body.
- Tighten the screws with a Phillips screwdriver. Do not over-tighten.
- Repeat this procedure to assemble the left shifter (**L**) to the left side of the vehicle body, marked **L**.

Assembly



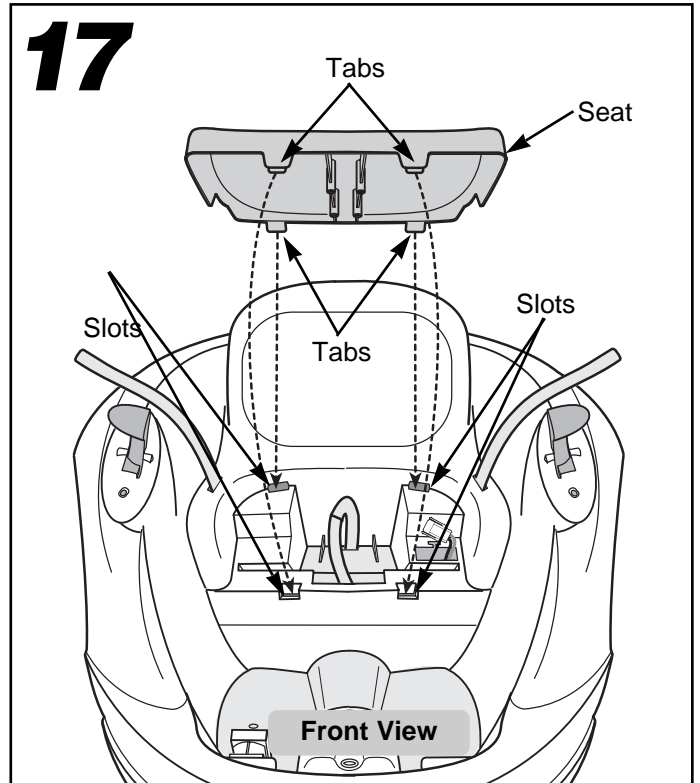
Please note: The seat has been factory assembled. You will need to remove the seat to complete assembly steps 15 - 17. Please see Step 1 on page 15 for instructions.

- Fasten together two retainer straps to form one long strap with T-loops at each end.
- Note the two T-loops at each end of the retainer strap.
- Insert the end T-loops on the strap through a slot in the vehicle body. **Do not insert the second set of T-loops through the slots.**
- Pull up gently on each end of the retainer strap to make sure the end T-loops are secure in the slots.



- Fasten together the remaining two straps.
- Note the two T-loops at each end of the retainer strap.

- Insert the end T-loops on the strap through a slot in the battery compartment. **Do not insert the second set of T-loops through the slots.**
- Pull up gently on the each end of the strap to make sure the end T-loops are secure in the slots.



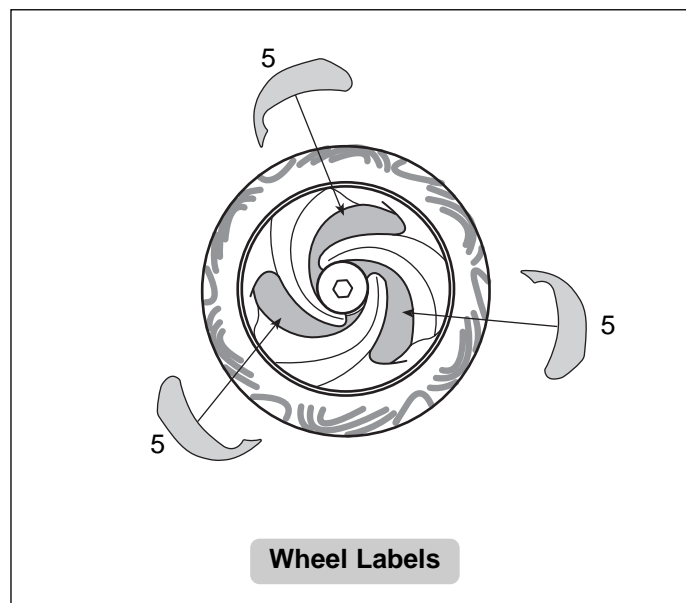
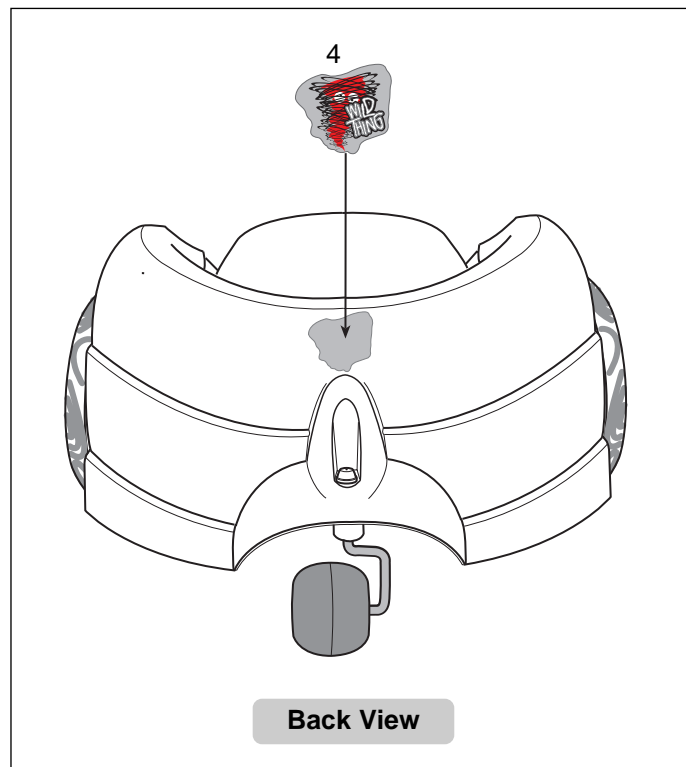
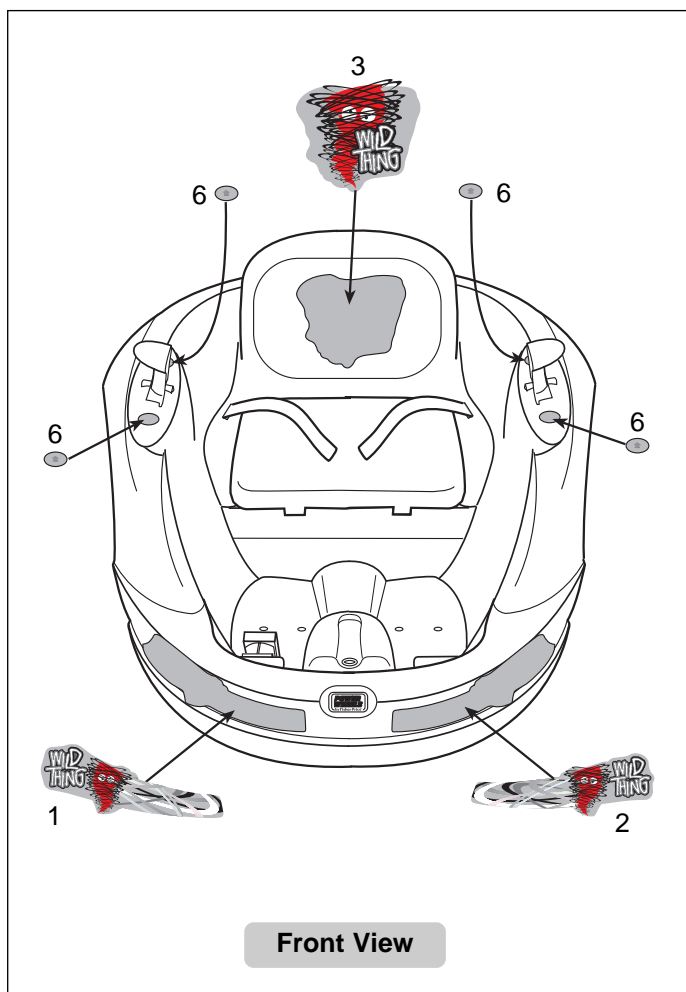
Note: If you have already charged your Power Wheels® 6 volt battery for at least 18 hours, you may want to install it in the battery compartment before assembling the seat to your vehicle. Please refer to "Battery Installation" beginning on page 15 for instructions.

- Unfasten the seat belt (retainer) straps.
- Insert the tabs on the back of the seat into the slots in the vehicle body.
- Press near the front of the seat to snap the front tabs into the vehicle body.

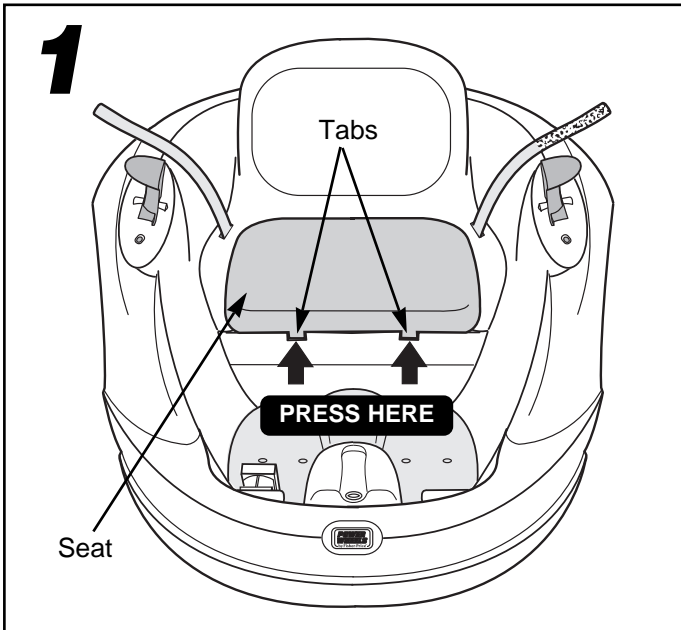
One-time assembly is now complete. For your convenience, two extra .437 (large diameter) cap nuts and two extra .354 (small diameter) cap nuts have been included with your vehicle. You should not have any extra screws, washers or bushings. If you complete assembly and have extra screws, washers or bushings, please re-read the assembly instructions and correct assembly of your vehicle where necessary.

Proper label application will help to keep the labels looking their best!

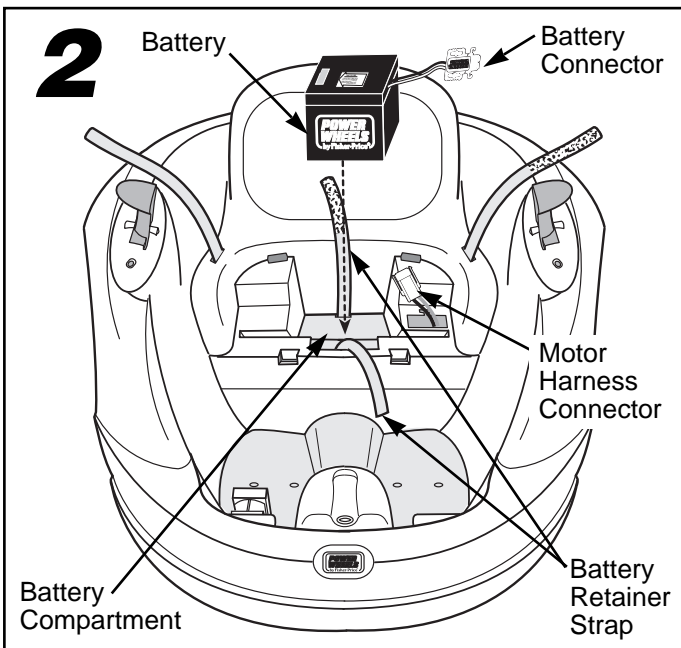
- Wash your hands before applying the labels.
- Make sure the areas where the labels will be applied are clean and dry. Wipe your vehicle with a clean, soft, dry cloth to remove any dust or oils.
- For best results, avoid repositioning a label once it has been applied to the vehicle.
- Apply the labels as shown in the illustrations.
- **After applying each label, rub the label firmly with a clean, dry cloth to make sure the label is adhered to your vehicle.**



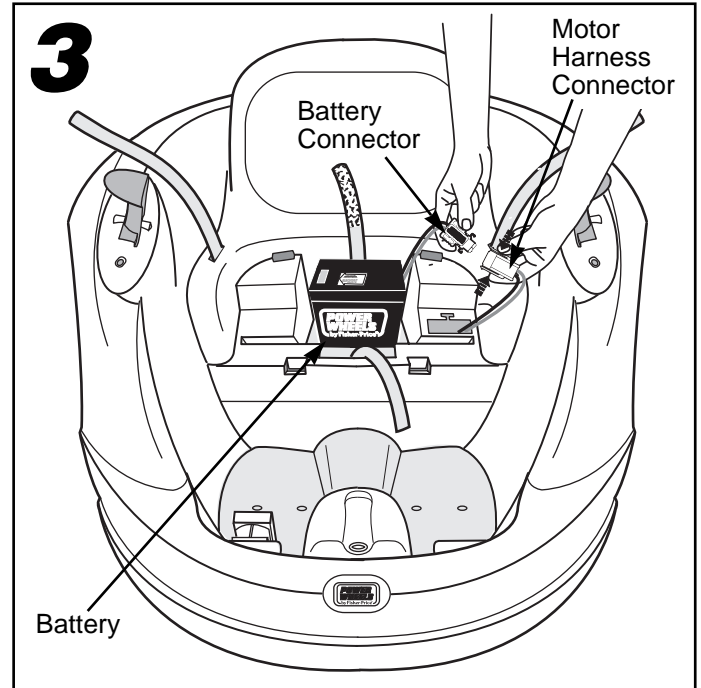
Important Note: Use only a Power Wheels® Type H 6 volt battery with a Power Wheels® thermal fuse installed. Use of any other battery or fuse will damage your vehicle. Make sure that you charge the battery for at least 18 hours using the enclosed Power Wheels® 6 volt charger before operating your vehicle for the first time. Charge the battery for at least 14 hours after each use of the vehicle. Never charge the battery longer than 30 hours. Failure to follow these instructions may damage your battery and will void your warranty.



- If the seat has been assembled to your vehicle, press in on the tabs on the front of the seat and lift to remove it.

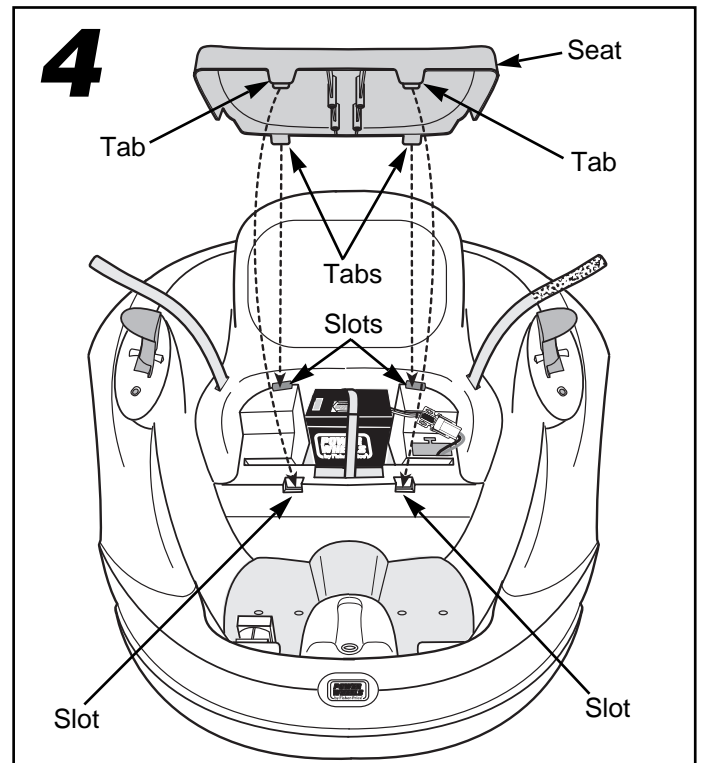


- Unfasten the battery retainer straps.
- Place the battery in the battery compartment with the battery connector extending towards the vehicle's motor harness connector.



- Squeeze the tabs on each side of the motor harness connector and plug the battery connector into the motor harness connector.

Note: If the battery connector will not plug into the motor harness connector, turn it over and try again! Do not force the battery connector into the motor harness connector.



- Fasten the retainer straps snugly around the top of the battery.
- Re-assemble the seat.

I

Battery Care and Disposal

Care

If a battery leak develops, avoid contact with the leaking acid and place the damaged battery in a plastic bag. See information below for proper disposal.

If acid comes in contact with skin or eyes, flush with cool water for at least 15 minutes and call a physician.

If acid is internally ingested, give water, milk of magnesia or egg whites immediately. Never give emetics or induce vomiting. Call a physician.

- Charge a new battery for at least 18 hours before first use. Never charge the battery longer than 30 hours. Overcharging or undercharging the battery may shorten battery life and decrease vehicle running time.
- After the first charge, recharge the battery for at least 14 hours after each use. Never charge the battery longer than 30 hours. Charge the battery after each use, regardless of how long the vehicle was used.
- The battery must be upright while charging.
- Do not allow the battery to run down completely before charging.
- Charge the battery before storing the vehicle.
- Charge the battery at least once per month, even if the vehicle has not been used.
- Leaving the battery in a discharged condition will ruin it.
- Always remove an exhausted battery from the vehicle. Battery leakage and corrosion can damage your vehicle.
- Do not store the battery in temperatures above 75° F or below -10° F.
- Examine the battery, charger and their connectors for excessive wear or damage each time you charge the battery. If damage is detected, do not use the charger or the battery until you have replaced the worn or damaged part.
- Attempting to charge the battery without a thermal fuse or with a blown fuse will not damage the battery, but it will not charge. Check the fuse to make sure it is in good condition each time you charge the battery.

Disposal



- Your Power Wheels® battery is a sealed lead-acid battery. It must be recycled or disposed of in an environmentally sound manner.
- Do not dispose of the lead-acid battery in your regular, household trash. The incineration, landfilling or mixing of sealed lead-acid batteries with household trash is prohibited by law in most areas.
- Return the battery to a federal or state approved lead-acid battery recycler, such as a Power Wheels® authorized service center or a local seller of automotive batteries. In Minnesota, call 1-800-348-0751 if further disposal information is required. Contact your local waste management officials for other information regarding the environmentally sound collection, recycling and disposal of lead-acid batteries.

J

Rules For Safe Driving



WARNING

- Adult supervision is required. Children do not have the judgement necessary to avoid many accidents. Be sure that children operating this vehicle can do so safely and that they are supervised at all times.
- Never use near steps, driveways, steep inclines, roadways, alleys, swimming pool areas or other bodies of water.
- Always wear shoes or sneakers when operating this vehicle.
- Never allow more than one rider.
- The rider should sit on the seat when the vehicle is in operation.
- The thermal fuse can get **hot**. Handle carefully.

Rules For Safe Driving

Teach Safety Rules to Children

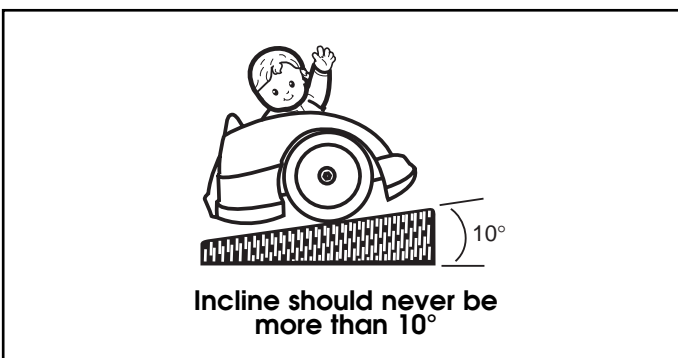
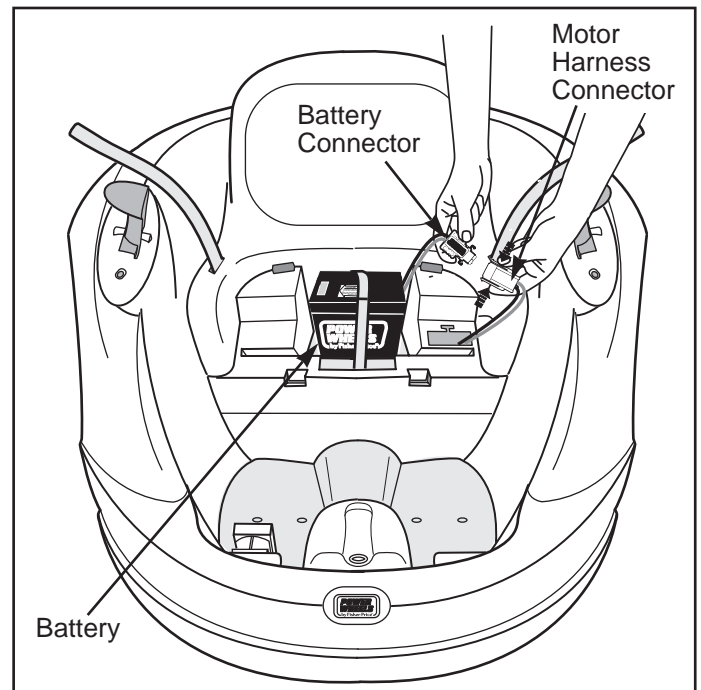
While children can quickly develop the skill necessary to drive this vehicle, it is important to remember that their judgement skills are still very immature. Unsupervised driving by children can lead to serious injury. Before children use the vehicle an adult should carefully evaluate the driving area as well as the children's skill level and ability to drive it safely. Children are not always able to recognize or anticipate hazards, even when they have been taught about them. There is no acceptable substitute for adult supervision.

Teach appropriate safety rules to your child before allowing operation of this vehicle. These rules should also be reviewed with neighborhood children or other playmates who want to drive this vehicle.

1. Do not allow any child to drive the vehicle in the street or near moving (motorized) vehicles.
2. Do not allow any child to drive near bodies of water (such as pools or creeks), obstructions (such as furniture, low tree limbs or play equipment), or drop-offs (such as stairs or decks).
3. Do not allow any child to drive the vehicle in the dark. A child could encounter unexpected obstacles and have an accident. Operate the vehicle only in the daytime or in a well-lit area.
4. Teach your child to avoid driving on steep inclines or slopes. Restrict your child's driving to areas that are fairly level with gentle inclines or slopes of no more than 10°.
 - While driving down a steep slope, the vehicle may gain unsafe speed, even if the foot pedal is released to stop.
 - While driving across a steep slope, the vehicle may tilt and tip over. The wheels could lose traction, causing the vehicle to slip.
 - While driving up a steep incline, the motor may stop and the vehicle could roll backwards at an unsafe speed.
5. Do not operate this vehicle with more than one rider, seated in the seating area. A child who is not sitting on the seat or who is standing on the vehicle could fall off, cause a tip-over or block the driver's view. A child could be seriously injured.
6. Always wear shoes or sneakers when operating this vehicle.
7. Never put anything near any moving parts. Rotating parts such as motors, gear boxes and wheels can snag fingers, hair, etc., causing serious injury. Do not allow operation of the vehicle when it is on its side or in an upside-down position.
8. Do not operate the vehicle near flammable vapors (gasoline, paint thinner, acetone, liquid wax, etc.). The vehicle's electrical switches, like most electrical switches, emit an internal spark when first turned on or turned off. The presence of flammable liquids or vapors could cause an explosion or a fire. Keep all flammable products in tightly sealed containers and away from the vehicle.
9. Do not allow a child to operate the vehicle without proper adult supervision. To prevent unsupervised use of the vehicle, disconnect the motor harness from the battery when the vehicle is not in use.

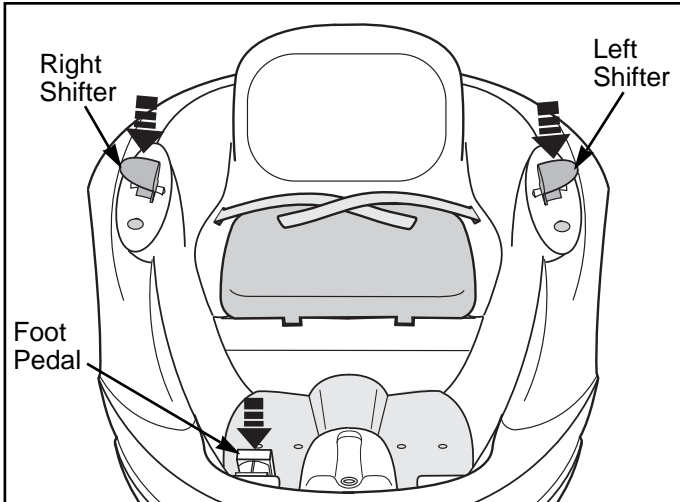
To disconnect the motor harness connector and battery connector:

- Press the tabs on the front of the seat and lift to remove it.
- Squeeze the tabs on the motor harness connector to unplug it from the battery connector.
- Re-assemble the seat.



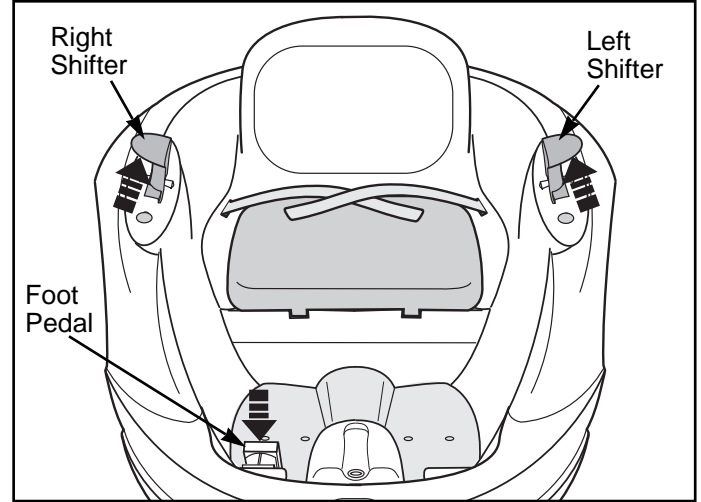
Your vehicle has been designed with a **REVERSE LOCK-OUT** system and has been pre-set to drive forward only. The vehicle will not drive in reverse or spin until you fasten the reverse connectors on the underside of the vehicle body. We recommend that your child master use of the shifter handles and the foot pedal to start and stop the vehicle before fastening the reverse connectors.

Forward



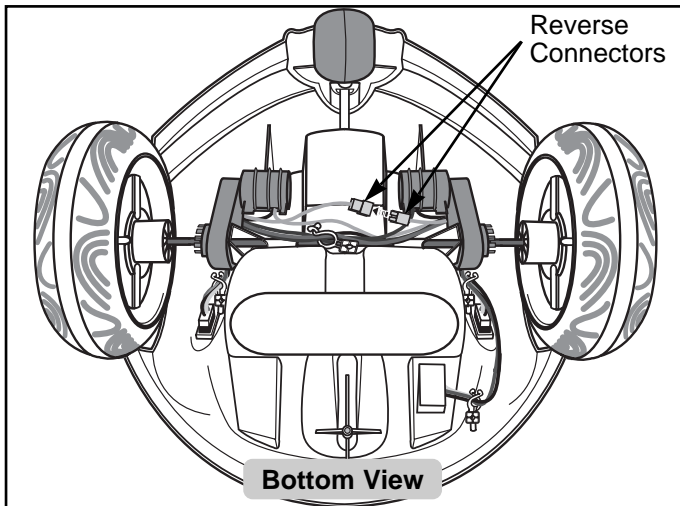
- To drive forward, push the shifter handles forward and press down on the foot pedal. The vehicle will move forward at a maximum of 4 mph.
- Your vehicle has a patented, electronic braking system that automatically stops the vehicle when your child's foot is lifted from the foot pedal.

Reverse



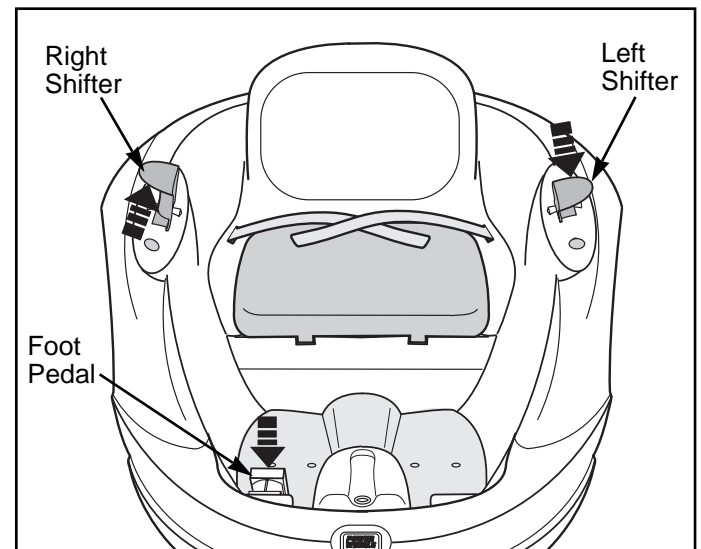
- To drive in reverse, pull the shifter handles toward you and press the foot pedal. The vehicle will travel in reverse at a maximum of 4 mph.
- Stopping in reverse is the same as stopping while driving forward. Simply lift your foot off the foot pedal to stop the vehicle.

Reverse Lock-Out



- Once your child has mastered driving forward and knows how to start and stop easily, it's time to fasten the reverse connectors.
- Carefully position the vehicle upside down.
- Plug the reverse connectors together.
- Position the vehicle upright. The vehicle can now be driven forward, backward and can spin.
- To lock-out reverse and spin at any time, simply unplug the connectors.

Spin



- To spin, push one shifter handle away from you while pulling the other towards you. Hang on tight!
- To change direction, switch the position of the shifter handles.

L

Caring for Your Vehicle

- Check all screws, retainers and protective coverings regularly and tighten as required. Check plastic parts on a regular basis for cracks or broken pieces.
- During snowy or rainy weather, the vehicle should be stored inside or under a protective cover. Remember to charge the battery at least once per month while your vehicle is not in regular use.
- Avoid operating the vehicle in wet or snowy conditions and do not spray the vehicle with a hose. Do not wash the vehicle with soap and water. Water or moisture in the motors or electrical switches can cause them to corrode and could cause switch or motor failure.
- Avoid operating the vehicle on sand, loose dirt or gravel. Sand, loose dirt or gravel in the motors or electrical switches can cause them to jam and could cause switch or motor failure.
- The vehicle can be wiped down with a soft, dry cloth. For a shiny finish, you can wipe plastic parts with a non-wax furniture polish applied to a soft-cloth. Do not use automotive wax. Do not use soap and water or spray the vehicle with a hose.
- To ensure that your vehicle stays in good operating order, we recommend that you periodically have your vehicle checked by a Power Wheels® authorized service center. See page 24 for the list of authorized service centers or call **1-800-348-0751** for the location of the authorized service center nearest you.

M

Statement of Limited Warranty

90-day limited warranty for the Power Wheels® Ride-On Toy Vehicle

A 6-month battery warranty applying only to the 6 volt battery which was included by Power Wheels®, with the Power Wheels® vehicle when originally purchased.

This limited warranty covers the Power Wheels® ride-on vehicle and the 6 volt battery, purchased from Power Wheels® by the original purchaser, against defects in materials and workmanship.

This warranty covers normal use and does not cover the Power Wheels® vehicle or battery if damaged by unreasonable use, neglect, accident, abuse, misuse, improper service or other causes not arising out of defects in materials or workmanship. Evidence of any attempt at consumer repair will void this warranty. This warranty does not cover, and is intended to exclude, any liability on the part of Power Wheels®, whether under this warranty or implied by law or any indirect or consequential damages for breach of warranty. Some states do not allow the exclusion or limitation so this limitation may not apply to you.

Should you need service or assistance with your vehicle during the warranty period, **DO NOT RETURN THE VEHICLE TO THE STORE**. Power Wheels® has provided a nationwide network of Authorized Service Centers. Please refer to the list in this manual. Power Wheels® is continually expanding our authorized service center network. If there is not an authorized service center in your area, please call Consumer Affairs for information, **1-800-348-0751**.

This warranty gives you specific legal rights, and you may also have other rights which may vary from state to state. **PLEASE SAVE YOUR ORIGINAL SALES RECEIPT.**

IMPORTANT! If you experience a problem with your vehicle, first check the Problems and Solutions Guide below. If you still experience a problem, please contact Power Wheels® Consumer Affairs, toll-free at **1-800-348-0751** between 8 AM and 6 PM (EST) Monday through Friday. Or, contact your local Power Wheels® authorized service center. For the location nearest you, please refer to the Authorized Service Center list beginning on page 24.

Problem	Possible Cause	Solution
Vehicle does not run	Undercharged battery	Charge the battery. A new battery should have been charged for at least 18 hours before using the vehicle for the first time. After first-time use, recharge the battery for at least 14 hours after each use. Never charge the battery longer than 30 hours.
		Check all connectors. Make sure the battery connector is tightly plugged into the charger connector, and that the charger is plugged into the wall.
		Make sure power flow to the wall outlet is ON .
	Charger is not working	There is no sure way to tell if your charger is working unless you have a volt meter. If you suspect there is a problem with your charger, contact your local Power Wheels® authorized service center. They can test your charger for you.
	Wrong type or improperly installed fuse	Make sure that the battery has a properly installed Power Wheels® thermal fuse before charging. For best performance, do not use substitute parts.
	Tripped fuse	If the vehicle is overloaded or the driving conditions too stressful, the thermal fuse may trip and cut power to the motors. The thermal fuse will automatically reset after approximately 25 seconds and the vehicle can resume operation. To prevent additional automatic shut-downs, reduce the load on the vehicle and/or avoid stressful driving conditions.
	Loose wire or loose connectors	Check all wires and connectors. Make sure the battery connector is tightly plugged into the motor harness connector and that there are no loose wires around the motors.
	Dead battery	If your battery is old or if you have not followed Battery Care instructions, your battery may be dead. If you are unsure whether or not the battery is dead, you can have it tested at your local Power Wheels® authorized service center. Always remove a dead battery from your vehicle.
	Electrical switch damage	The electrical switches can become corroded due to exposure to water or moisture or can jam due to loose dirt, sand or gravel. Contact your local Power Wheels® authorized service center for diagnosis and repair.
Motor damage	Contact your local Power Wheels® authorized service center for diagnosis and repair.	
Damaged fuse	The thermal fuse may be damaged. Remove the thermal fuse from the battery and shake it gently. If it rattles, it is damaged. Replace the thermal fuse with a new Power Wheels® thermal fuse. For best performance, do not substitute parts.	

Problems and Solutions Guide

Problem	Possible Cause	Solution
Vehicle drives forward only	Reverse lock-out feature not disabled	See page 18 for instructions on fastening the reverse connectors to allow the vehicle to drive in forward, reverse and spin.
Vehicle was running but suddenly stopped	Loose wire or loose connectors	Check all wires and connectors. Make sure the battery connector is tightly plugged into the motor harness connector and that there are no loose wires around the motors.
	Wrong type or improperly installed fuse	Make sure that the battery has a properly installed Power Wheels® thermal fuse installed before charging. For best performance, do not use substitute parts.
	Tripped fuse	If the vehicle is overloaded or the driving conditions too stressful, the thermal fuse may trip and cut power to the motors. The thermal fuse will automatically reset after approximately 25 seconds and the vehicle can resume operation. To prevent additional automatic shut-downs, reduce the load on the vehicle and/or avoid stressful driving conditions.
	Damaged fuse	The thermal fuse may be damaged. Remove the thermal fuse from the battery and shake it gently. If it rattles, it is damaged. Replace the thermal fuse with a new Power Wheels® thermal fuse. For best performance, do not substitute parts.
Short run time (Less than 1 - 3 hours per charge)	Undercharged battery	Charge the battery. A new battery should have been charged for at least 18 hours before using the vehicle for the first time. After first-time use, recharge the battery for at least 14 hours after each use. Never charge the battery longer than 30 hours.
		Check all wires and connectors. Make sure the battery connector is tightly plugged into the charger connector, and that the charger is plugged into the wall.
		Make sure power flow to the wall outlet is ON .
	Overcharged battery	Do not charge the battery longer than 30 hours. If you suspect that your battery is damaged as a result of overcharging, contact your local Power Wheels® authorized service center. They can test your battery for you.
	Battery is old and will not accept full charge	Even with proper care, a rechargeable battery does not last forever. Average battery life is 1 to 3 years depending on vehicle use and use conditions. Replace the battery with a Power Wheels® Type H 6 volt battery. For best performance, do not use substitute parts.
	Wrong type or improperly installed fuse	Make sure that the battery has a properly installed Power Wheels® thermal fuse before charging. For best performance, do not use substitute parts.
	Driving conditions are too stressful and/or vehicle is overloaded	Use only on gentle inclines or slopes of 10° or less. Do not allow more than one rider, exceed the 65 lbs. maximum weight limit or tow objects behind the vehicle. Extreme temperatures can also affect run time. Recharge the battery and avoid extreme driving conditions.

Problems and Solutions Guide

Problem	Possible Cause	Solution
Vehicle runs sluggishly	Undercharged battery	Charge the battery. A new battery should have been charged for at least 18 hours before using the vehicle for the first time. After first-time use, recharge the battery for at least 14 hours after each use. Never charge the battery longer than 30 hours.
		Check all connectors. Make sure the battery connector is tightly plugged into the charger connector, and that the charger is plugged into the wall.
		Make sure power flow to the wall outlet is ON .
	Battery needs charging	After approximately 3 hours of constant use, the battery needs charging. Recharge the battery.
	Wrong type or improperly installed fuse	Make sure that the battery has a properly installed Power Wheels® thermal fuse installed before charging. For best performance, do not use substitute parts.
	Battery is old and will not accept full charge	Even with proper care, rechargeable batteries do not last forever. Average battery life is 1 to 3 years depending on the vehicle use and use conditions. Replace the battery with a Power Wheels® Type H 6 volt battery. For best performance, do not use substitute parts.
Sometimes the vehicle doesn't run, but other times it does	Vehicle is overloaded and/or driving conditions are too stressful	Make sure you do not overload the vehicle by allowing more than one rider at one time, exceeding the 65 lbs. maximum weight capacity, or by towing objects behind the vehicle. Use only on gentle inclines or slopes of 10° or less. Recharge the battery and avoid extreme driving conditions.
	Loose wire or connector	Check all wires around the motors and all connectors to make sure they are tight.
When the foot pedal is pressed, the vehicle won't run without a push	Motor or electrical switch damage	Contact your local Power Wheels® authorized service center for diagnosis and repair.
	Loose wire or connector	Check all wires around the motors and all connectors to make sure they are tight.
	"Dead Spot" on motor	Contact your local Power Wheels® authorized service center for diagnosis and repair.

Problems and Solutions Guide

Problem	Possible Cause	Solution
Vehicle constantly trips the fuse	Wrong type or improperly installed fuse	Make sure that the battery has a properly installed Power Wheels® thermal fuse before charging. For best performance, do not use substitute parts.
	Vehicle is overloaded and/or driving conditions are too stressful	Make sure you do not overload the vehicle by allowing more than one rider at one time, exceeding the 65 lbs. maximum weight capacity, or by towing objects behind the vehicle. Use only on gentle inclines or slopes of 10° or less. Recharge the battery and avoid extreme driving conditions.
Loud clacking or grinding noise from a motor-gearbox	Broken gears	Contact your local Power Wheels® authorized service center for diagnosis and repair.
Charger gets warm during use	It is normal for some chargers to get warm during use and is not reason for concern. Some chargers do not get warm during use.	No action required. If your charger does not get warm during use, it does not mean that it is not working properly.
Battery makes a sizzling or gurgling noise when charging	It is normal for some batteries to make noise and swell slightly while charging and is not reason for concern. Some batteries do not make noise or swell while charging.	No action required. If your battery does not make noise or swell slightly during charging, it does not mean that it is not accepting the charge.

If, after reviewing the Problems and Solutions Guide, the vehicle still fails to operate, please contact your nearest authorized service center (see page 24) or contact Power Wheels® Consumer Affairs toll-free at **1-800-348-0751**.

Helpful Hint: For faster service when calling Consumer Affairs, completely charge the battery before calling and have the following available by the phone:

1. vehicle
2. vehicle model number (see sticker in the battery compartment)
3. vehicle production run number (see sticker in the battery compartment)
4. Phillips screwdriver, slotted screwdriver and needle-nose pliers with plastic or rubber handles
5. an extra Power Wheels® thermal fuse is helpful



Authorized Service Centers

We are continually expanding our Authorized Service Center Network. Please check this listing for the Authorized Service Center nearest you. If there is not one in your area, please call Power Wheels® Consumer Affairs at 1-800-348-0751.

ALABAMA

BIRMINGHAM - Frigid Service & Sales, 701 Graymont Ave. North, 35203, (205) 323-5831
BIRMINGHAM - Frigid Service & Sales, 1861 Centerpoint Rd., 35215, (205) 853-3952
BIRMINGHAM (HOMEWOOD) - D & R Appliance Company, 154 West Valley Ave., 35209, (205) 942-3959
DECATUR - Peddler II, 1000 B Beltline Road, 35603, (205) 350-1044
DOTHAN - Bill's Appliance Service, 208 Bic Road, P.O. Box 1192, 36303, (334) 792-7746
DOUGLAS - Brown Hardware, Highway 75, 35964, (205) 593-6086
HUNTSVILLE - C & G Appliance, 307 Jordan Lane, 35805, (205) 837-4551
MOBILE - Foster's Appliance Repair, 1660 South Beltline Highway, 36693, (334) 666-2670
MONTGOMERY - Acme Service Co., 2603 Highland Ave., 36107, (334) 264-2456

ALASKA

ANCHORAGE - Ken's Electronics Service, 360 E. Inter-national, Ste. 8, 99518, (907) 562-3443

ARIZONA

GLENDALE - Elliott Electric Appliance Service, 6242 N. 43rd Avenue, 85301, (602) 937-2613
SCOTTSDALE - Elliott Electric, 7515 E. McDowell Road, 85257, (602) 946-7487
TUCSON - Arizona Small Appliance Service Co., 5033 E 5th Street, 85711, (520) 325-3988

ARKANSAS

FT. SMITH - Bromley Appliance Service, 614 North 10th Street, 72901, (501) 782-9646
HOT SPRINGS - The Battery Center, 400 Airport Road, 71913, (501) 624-7144
JONESBORO - Best Sewing & Vacuum & Repair, 2235 S. Caraway Road, 72401, (501) 935-4739, (800) 844-4739
LITTLE ROCK - C & W Tool Repair, 1303 W. Markham, 72201, (501) 374-1911
MENA - Bearcat Starter & Alt., 902 Highway 71 South, 71953, (501) 394-0320
ROGERS - Kressel's Vacuum & Repair, 115 North 5th Street, 72756, (501) 636-7894
STUTT GART - Davis Lumber Company, 301 East Michigan, 72160, (501) 673-3601

CALIFORNIA

ANDERSON - Hardware Express/ Do It Best, 2681 Balls Ferry Road, 96007, (916) 365-3783
BAKERSFIELD - Southwest TV, 6300 White Lane, Suite B, 93309, (805) 397-4940
CONCORD - California Electric Service Center, 1170-G Burnett Avenue, 94520, (510) 827-1011
COVINA - California Electric Service Center, 612 Shoppers Lane, 91723, (818) 915-4935
DUBLIN - California Electric Service, 8947 San Ramon Road, 94568, (510) 551-3390
FONTANA - California Electric Service Center, 9794 Sierra Avenue, 92335, (909) 355-2500
FORT JONES - Ft. Jones Frontier Hardware, 11911 Main Street, 96032, (916) 468-2266
FRESNO - Valley Small Appliance, 4005 E. Ashlan Avenue, 93726, (209) 224-5530
FULLERTON - California Electric Service Center, 1208 E. Ash Avenue, 92631-5020, (714) 870-0900
LOS ALAMITOS - California Electric Service Center, 11284 Los Alamitos Blvd., 90720, (562) 430-2668
MERCED - Moosehead Electronics, 920 W. 18th Street, 95340, (209) 723-4712
MISSION VIEJO - California Electric Service Center, 23725 Via Fabricante, Unit B, 92691, (714) 586-9440
OAKLAND - California Electric Service Center, 1139 E. 12th Street, 94606, (510) 834-1050
OXNARD - Tiny's Inc., The Clean-up Store, 1237 Saviers Road, 93033, (805) 487-9401, (800) 845-3223
PASADENA - California Electric Service Center, 2594 E. Colorado Blvd., 91107, (818) 792-3194
SACRAMENTO - California Electric Service Center, 1821 "Q" Street, 95814, (916) 443-5711
SALINAS - SRS Hobbies, 1038A North Davis Road, 93907, (408) 424-4044
SAN CARLOS - California Electric Service Center, 990 Industrial Road, Suite 102, 94070, (415) 593-6696
SAN DIEGO - California Electric Service Center, 3430 El Cajon Blvd., 92104, (619) 283-6488
SAN FRANCISCO - California Electric Service Center, 1090 Bryant Street, 94103, (415) 431-8494
SAN JOSE - California Electric Service Center, 481 So. Bascom, 95126, (408) 295-1723
SANTA ANA - California Electric Service Center, 2025 South Main Street, 92707, (714) 641-0529
SANTA ROSA - Hardisty's Inc., 710 Farmers Lane, 95405, (707) 545-0535
STOCKTON - California Electronics, 929 North Yosemite Street, 95203, (209) 466-5432
TEMECULA - California Electric Service Center, 41715 Enterprise Circle North, Suite 101, 92590, (909) 695-5445
VAN NUYS - California Electric Service Center, 14753 Oxnard Blvd., 91411, (818) 997-8855

WEST LOS ANGELES - California Electric Service Center, 2314 S. Westwood Blvd., 90064, (310) 475-2532
YUCAIPA - Aire-Rite Heating & A/C, 34724 Yucaipa Blvd., 92399, (909) 797-2788

COLORADO

COLORADO SPRINGS - Nelson Appliance Repair, Inc., 1220 E. Fillmore, 80907, (719) 635-1928, (800) 291-8010
DENVER - Appliance Service, 4262 Lowell Blvd., 80211, (303) 458-1109, (800) 631-0941 (CO, WY only)
DENVER (ENGLEWOOD) - Appliance Service, 3932 S. Broadway, 80110, (303) 781-1227, (800) 553-1864
GRAND JUNCTION - V & L Appliance Service, 591 25 Road Suite A6, 81506, (970) 243-3360

CONNECTICUT

HARTFORD - Hartford Element & Appliance Service, 1500 Albany Avenue, 06112, (860) 246-7424, (800) 787-7977
NEW HAVEN (HAMDEN) - New Haven Appliance Service Center, 1627 Dixwell Avenue, 06514, (203) 288-6229
SHELTON - Jeff's Appliance, Inc., 500A Howe Avenue, 06484, (203) 924-8997
STAMFORD - Appliance Servicer of Stamford, 15 Cedar Heights Road, 06905, (203) 322-7656
WATERBURY - P.J. Appliance Repair, 935 South Main Street, 06706, (203) 757-1014

DELAWARE

DOVER - Del-Mar Appliance of Delaware, 230 South Governors Avenue, 19904, (302) 674-2414, (800) 858-3424
WILMINGTON - Lyons Hardware, Inc., 2021 Kirkwood Highway, 19805, (302) 995-1260

FLORIDA

ATLANTIC BEACH - First Coast Repair, 25 Seminole Road, 32233, (904) 246-4616
CAPE CORAL - Family Hardware/Do-It Express, 622 SE 47th Terrace, 33904, (941) 542-6365
DELRAY - Mister Fix It, 209 S.E. 2nd Avenue, 33483, (561) 243-9999
GAINESVILLE - Authorized Appliance Service Co., 2614 S.W. 34th Street, 32608, (352) 375-3886
HIALEAH - S-O Service Co., 925 Hialeah Drive, 33010, (305) 887-6275
HOLLY HILL - Ormond Element, 1668 Ridgewood Avenue, 32117, (904) 677-3497
JACKSONVILLE - Authorized Appliance Service Co., 6120-5 Powers Avenue, 32217, (904) 737-5312
LAKE LAND - Electric Shaver & Small Appliance, 4243 S. Florida Avenue, 33813, (941) 644-4690
MIAMI - Goodman's Sales & Service, 13081 SW 133 Court, 33186, (305) 278-8822
NORTH FORT MYERS - Family Hardware, 13817 N. Cleveland Ave., 33903, (941) 995-6161
NORTH PALM BEACH - Appliance Doctors, 450 Northlake Blvd., 33408, (407) 845-0377, FAX (407) 845-0378
OCALA - Vacuums, Inc., 3535 S.E. Maricamp Road, #103, 34471, (904) 694-2247
OCALA - Vacuums, Inc., 2461-A SW 27th Avenue, 34474, (352) 854-2247
ORLANDO - Pine Hills Appliance Svc. Co., 6100-4 W. Colonial Drive, 32808, (407) 299-1271
ORLANDO - Southern Electric Co., 510 N. Parramore Avenue, 32801, (407) 841-8824, (800) 940-8824
PANAMA CITY - Callaway Vacuum & Sewing, 221 N. Tyndall Prkwy., 32404, (904) 763-6333
PENSACOLA - Foster's Appliance Repair, 3836 N. Davis Highway, 32503, (904) 432-8853
POMPANO BEACH - Authorized Appliance Service Co., 2171 N. Dixie Highway, 33060, (954) 941-2038
POMPANO BEACH - Philips Consumer Electronics, 2099 W. Atlantic Blvd., 33069, (954) 978-0467
PORT ST. LUCIE - Hoppe's Authorized Vac & Appliance, 6735 S. Federal Way, 34592, (561) 464-0102
ROCKLEDGE - Neelco Do-It Center, 400 Barton Blvd., 32955, (407) 639-1400
SARASOTA - Sunray Small Appliances, 8371 N. Tamiami, 34243, (941) 358-9999, (800) 895-5655
SEBRING - Sebring Do-It Center, 305 U.S. 27 North, 33870, (941) 385-2785
SPRING HILL - Crowder Bros Hardware, 5350 Spring Hill Dr., 34606, (352) 686-4743
ST. PETERSBURG - Keystone Electric, 4604 Central Avenue, 33711, (813) 321-1124
STUART - Appliance Doctors, 3166 S.E. Dixie Highway, 34997, (561) 287-6437
SUNRISE - Muller Appliance Service, 2620 N. University Drive, 33322, (954) 749-5460
TAMPA - Authorized Appliance Service Co., Dibbs Plaza, 4119 Gunn Hwy., Unit 8, 33624, (813) 968-6638
VENICE - Sunray South, 2143 South Tamiami Trail, 34293, (941) 493-1733
VERO BEACH - Hoppe's Authorized Vac & Appliance, 1872 Commerce Avenue, 32960, (561) 562-4466
WEST PALM BEACH - Satisfaction TV Video Service, Inc., 1980 S. Congress Avenue, 33406, (561) 439-3733

Authorized Service Centers

GEORGIA

ATLANTA - Georgia Service Center, 5366 Buford Hwy., 30340, (770) 455-1716, (800) 455-1715
ATLANTA (MARIETTA) - Philips Consumer Electronics, 200 N. Cobb Parkway, Bldg. #100, Suite 120, 30062, (770) 795-0085
AUGUSTA - A & A Appliance Parts & Service, 1708 Walton Way, 30904, (706) 733-5163
BRUNSWICK - Arco Hardware & Supply, 3711 Community Road, 31520, (912) 267-0771
COLUMBUS - Burrell's National Appliance Service, 1728 Warm Springs Road, 31904, (706) 327-0523
LOGANVILLE - Mtn. Mower Sales and Service, 6099C Hwy. 20, 30249, (770) 466-9111
SAVANNAH - Hagins Appliance Service, 3 West Victory Drive, 31405, (912) 233-8372
TIFTON - Western Auto, 354 S. Main St., 31794, (912) 382-5767
VALDOSTA - Harry B. Anderson, Inc. Western Auto, 204 Central Avenue, 31601, (912) 242-5945

HAWAII

HONOLULU - McCully Bicycle & Sporting Goods, 932 Hausten Street, 96826, (808) 946-1192
WAILUKU (MAUI) - Tom's Appliance Sales & Service, 891 Eha Street, 96793, (808) 244-6278
WAIPAHU - Waipahu Bicycle, 94-320 Depot Street, 96797, (808) 671-4091

IDAHO

BOISE - Boise Appliance, 1503 Main Street, 83702, (208) 343-0102

ILLINOIS

CHAMPAIGN - Appliance Parts & Service Center, 905 Francois, 61821, (217) 355-0220
CHICAGO (BERWYN) - Brand Service Center, 6739 West Cermak, 60402, (708) 749-4315
CHICAGO (DOWNER'S GROVE) - Authorized Appliance Service Co., 1644 W. Ogden Avenue, 60515, (630) 852-1550
CHICAGO (MORTON GROVE) - Brand Service Center, Inc., 5618 Dempster Street, 60053, (847) 965-5900
DECATUR - Rexx Battery of Decatur, Inc., 1330 East Eldorado, 62521, (217) 422-0281
JACKSONVILLE - Rexx Battery Specialists, 847 South Main Street, 62650, (217) 245-2713
NASHVILLE - Kesel Hardware, 173 West St. Louis, 62263, (618) 327-8957
NILES - Household Appliance Sales & Serv., 7411 N. Milwaukee Ave., 60714, (847) 647-8250
PEORIA - Brand Service Center, 6926-I North University Street, Tanglewood Center, 61614, (309) 691-7588
ROCKFORD - Sun Appliance Sales & Service, 3112 N. Rockton Avenue, 61103, (815) 964-3866
SPRINGFIELD - Bannon Electronics, 1224 N. Franklin, 62702, (217) 523-0313
WAUKEGAN - Brand Service Center, 2850 Belvidere Road, 60085, (847) 244-5800

INDIANA

EVANSVILLE - Electro Hygiene Co., 1614 South Kentucky, 47714, (812) 425-2671
FT. WAYNE - Don's Hardware, 5701 Coventry Lane, in the Village of Coventry, 46804, (219) 436-2278
FT. WAYNE - Sun Appliance Service & Sales, 3523 N. Anthony Blvd., 46805, (219) 482-1702
INDIANAPOLIS - Brand Service Center, 1827 N. Meridian Street, 46202, (317) 924-1386
INDIANAPOLIS - Sullivan Hardware Do-It Center, 7021 N. Keystone, 46220, (317) 255-9230
NEW ALBANY - Wells Hardware, Inc., 1011 Vincennes Street, 47150, (812) 944-4523
SOUTH BEND - Ray's TV and Appliance, 60717 US 31 South, 46614, (219) 291-1630
SOUTH BEND (OSCEOLA) - AAA Appliance Service Co., 11868 Lincoln Way West, 46561, (219) 679-4981
TERRE HAUTE - Corey Electronics, 1101 S. 8th Street, 47802, (812) 232-8786, (888) 232-8786

IOWA

BETTENDORF - K & K True Value Hardware, 1818 Grant Street, 52722, (319) 359-4473
CEDAR RAPIDS - Stalker Electric, Inc., 110 3rd Ave. SW, 52404, (319) 364-5646
DES MOINES - Quality Appliance Repair Center, 1417 Walnut Street, 50309, (515) 288-0108
DUBUQUE - Shaver's Plus, 1824 Central Avenue, 52001, (319) 556-4442
SIoux CITY - Millard Television Inc., 1419 Hamilton Blvd., 51103, (712) 258-3435

KANSAS

COLBY - Gavon's Electronics, 1870 South Range, 67701, (913) 462-6601
JUNCTION CITY - R/C Hobbies, 115 W. 7th Street, 66441, (913) 238-1877
KANSAS CITY (OVERLAND PARK) - Mar-Beck Appliance Service Co., 8471 West 95th Street, 66212, (913) 642-1557
WICHITA - Alan Appliance Service, Inc., 1300 E. Central, 67214, (316) 262-7228, (800) 290-7228

KENTUCKY

GREENVILLE - Malone Lumber Do-It Center, 204 W. Depot Street, 42345, (502) 338-3252
LEXINGTON - Factory Electronics, 2422 Palumbo Drive, 40509, (606) 269-7341
LEXINGTON (VERSAILLES) - Deaver's Hardware, 221 N. Main St., 40383, (606) 873-7396
LOUISVILLE - Maury's Fluorescent & Appliance Service, 1521 Bardstown Road, 40205, (502) 456-1671

MADISONVILLE - Kuester's Hardware, N. Main St., Martin Mall, 42431, (502) 825-2818
MT. WASHINGTON - Mt. Washington Auto Supply, 520 N. Bardstown Rd, P.O. Box 316, 40047, (502) 538-4296
OWENSBORO - Kuester's Hardware, 1210 Carter Road, 42301, (502) 685-4916
PADUCAH - Hank Brothers True Value, 3101 Lone Oak Rd., 42003, (502) 554-4001

LOUISIANA

BATON ROUGE - Home Appliance Service, Inc., 10781 Florida Blvd., 70815, (504) 272-7727
HAMMOND - Battery Depot, 207 E. Thomas Street, 70401, (504) 542-4983
LAFAYETTE - Cullen's Playland, 4498 Johnston Street, 70503, (318) 981-2929
LAKE CHARLES - Capitol Schwinn Cyclery, 722 E. Prien Lake Road, 70605, (318) 474-9090
NEW ORLEANS (METAIRIE) - Le Jouet, Inc., 1700 Airline Hwy., 70001, (504) 837-0533
SHREVEPORT - Shreveport Shaver and Appliance, 9750 St. Vincent, Burt Kouns Ind. Loop, 71106, (318) 865-5088, (800) 349-7722

MAINE

BANGOR - Adco Surgical Supply Co., 1292 Hammond St., 04401, (207) 942-5273
GREENE - Brule's Auto Clinic & Sales, 968 Sawyer Road, 04236, (207) 375-4872
PORTLAND - Colonial Electronics, Inc., 259 St. John Street, 04102, (207) 774-6666

MARYLAND

BALTIMORE (ELLCOTT CITY) - Clark Do-It Center, 10325 Baltimore National Pk., 21042, (410) 313-8100
BALTIMORE (TOWSON) - Duran Service Company, 8741 Mylander Lane, 21286, (410) 321-9033
BERLIN - Myers Auto-Power Tool Rental Co., Inc., 10714 Ocean Gateway, 21811, (410) 641-3497
GAITHERSBURG - Waters Appliance Service, 216 E. Diamond Avenue, 20877, (301) 258-7500, (800) 225-5009
SALISBURY - Cycle and Sports Outlet, 2505 N. Salisbury Blvd., 21801, (410) 860-0400
TANEYTOWN - MacHenry Services, 68 Frederick Street, 21787, (410) 756-6659, (800) 276-1301

WASHINGTON D.C. (BELTSVILLE) - Philips Consumer Electronics, 10800 Rhode Island Avenue, 20705, (301) 595-5330, (800) 438-9647

MASSACHUSETTS

BOSTON (MEDFIELD) - Wills Hardware, 5 Janes Avenue, 02052, (508) 359-4381
BOSTON (WALTHAM) - Suburban Appliance Service Center, Inc., 271 Moody Street, 02154, (617) 893-6694
LOWELL - Lowell Appliance Service Center, Inc., 564 Dutton Street, 01854, (508) 454-8731
MAYNARD - Gramp's Garage, 16 Main Street, 01754, (508) 461-0463
QUINCY - Appliance Service and Parts, Inc., 582 Washington Street, Route 3A, 02169, (617) 773-6656
SALEM - Fix Master, Inc., 190 North Street, 01970, (508) 745-0004
SPRINGFIELD - Utility Electric Service, Inc., 810 Main Street, 01101, (413) 781-1635

MICHIGAN

ALMONT - Almont Hardware, 4545 Van Dyke, P.O. Box 511, 48003, (810) 798-8922
BAY CITY - Bay Vac & Pedal, 805 Columbus Ave., 48708, (517) 892-7516
BRIGHTON - Complete Battery Source, 8023 W. Grand River, 48116, (810) 220-1050
DEARBORN - McNichols Electric Service, 1836 Grindley Park, 48124, (313) 563-7550
DETROIT - McNichols Electric Service, 13725 W. McNichols, 48235, (313) 342-6070, (800) 562-4226
DETROIT (ROYAL OAK) - McNichols Electric Service, 4115 West 13 Mile Road, 48072, (810) 288-5135
FLINT (DAVISON) - Gill-Roy's Hardware, 8405 East Davison, 48423, (810) 653-2288
FLINT (SWARTZ CREEK) - Gill-Roy's Hardware, 9061 Miller Road, 48473, (810) 635-2020
GRAND RAPIDS - Superior Appliance Service Co., 1050 Scribner Avenue, NW, 49504, (616) 459-3271
JACKSON - Hammond Hardware, 1800 Francis St., P.O. Box 7, 49204, (517) 782-0704
KALAMAZOO - Bill Coleman TV, 3938 S. Westnedge, 49008, (616) 344-1200
LANSING - Rapid Appliance Service, Inc., 1454 E. Michigan Avenue, 48912, (517) 485-1320
MIDLAND - Knopic's Do-It Center, 3128 Jefferson Ave., 48640, (517) 832-2774
PRUDENVILLE - Ford's Do-It Center, 841 W. Houghton Lake Drive, 48651, (517) 366-7622
TRAVERSE CITY - De Weese Hardware Inc., 1029 Carver Street, 49685, (616) 947-7670

MINNESOTA

BRAINERD - Diggz Motor Sports, 4299 Hwy. 371 North, 56401, (218) 828-8088
DULUTH - All Brand Mr. Fixit, 16 West First Street, 55802, (218) 722-1499
DULUTH - Mr. Fix it - Metro Appl. Service Center, Inc., 2020 W. Superior St., 55806, (218) 722-9063
MINNEAPOLIS (ST. LOUIS PARK) - Barness, 4631 Excelsior Blvd., 55416, (612) 926-0521
ROCHESTER - Robert's Electronics, 611 6th Ave. NW, 55901, (507) 282-2140
ST. PAUL - Barness, 1573 University Avenue, 55104, (612) 646-3109



Authorized Service Centers

MISSISSIPPI

HATTIESBURG - Champion Cycle & Fitness, 104 South 37th Avenue, 39401, (601) 264-8233
IUKA - W. H. Fairless Hardware Co., Inc., 117 Fulton Street, 38852, (601) 423-2233, (800) 797-9457
JACKSON (RIDGELAND) - Propeller Service, 291 Hwy. 51, Suite D6, 39157, (601) 856-3191
MERIDIAN - Broadmoor Home Center, 2420 Old North Hills Street, P.O. Box 3280, 39305, (601) 483-7373
NATCHEZ - Western Auto, 180 Seargent Prentiss Dr., 39120, (601) 445-4186
STARKVILLE - East Mississippi Lumber Co., 300 Russell Street, 39759, (601) 323-3554

MISSOURI

INDEPENDENCE - Mar-Beck Appliance Service Co., 4476 South Noland Road, 64055, (816) 478-1889
KANSAS CITY - Mar-Beck Appliance Service Co., 303 W. 79th Street, 64114, (816) 523-6931
KANSAS CITY (GLADSTONE) - Mar-Beck Appliance Serv. Co., 6559 N. Oak Traffic Way, 64118, (816) 436-9191
POPLAR BLUFF - Mills Iron & Supply, 1919 S. Westwood Blvd., 63901, (573) 785-2628
SPRINGFIELD - Mar-Beck Appliance Service Co., 2704 S. Glenstone Avenue, 65804, (417) 882-3070
ST. LOUIS - Authorized Appliance, Inc., 2355 Hampton Avenue, 63139, (314) 647-4250
ST. LOUIS - Brand Service Center, Inc., 1624 S. Broadway, 63104, (314) 231-0751

MONTANA

BILLINGS - Radio Equipment Company, 1120 16th Street West, 59104, (406) 256-9778, (800) 711-4024

NEBRASKA

GRAND ISLAND - Mundt's Small Appliance & Vacuum Repair, 1822 W. Northfront Street, 68803, (308) 382-5084
LINCOLN - CB Small Appliance, 432 South 11th Street, 68508, (402) 475-2546
LINCOLN - Sperry TV, 1115 North 47th St., 68503, (402) 464-9181
LINCOLN - Sperry TV, 2013 Highway 2, 68502, (402) 464-9181
NORTH PLATTE - Sperry TV, 1855 West A Street, Westfield Shopping Center, 69010, (308) 532-5200
OMAHA - Myers Electric Co., 7571 Dodge Street, 68114, (402) 393-8388, (800) 234-1414
OMAHA - Myers Electric Co., Inc., 1458 South 16th Street, 68108, (402) 342-7710

NEVADA

LAS VEGAS - Burney's Commercial Service, Inc., 4480 Aldebaran Avenue, 89103, (702) 736-0006
MINDEN - Valley Home & Sport Center, 1587 Highway 395, 89423, (702) 782-5111

NEW JERSEY

EAST RUTHERFORD - Philips Consumer Electronics, 180 Manor Road, 07073, (201) 935-0600
HAWTHORNE - Ter Kuile, Inc., 206 Diamond Bridge Avenue, 07506, (201) 423-1142
HIGHLAND PARK - Dash Electronics, 10 N. 2nd Street, 08904, (908) 247-5124
HOWELL - South Jersey TV Service, Inc., 4232 Rt. 9 South, 07731, (908) 363-5550, (800) 244-3094
OCEAN - South Jersey TV Service, Inc., 1719 Route 35, 07712, (908) 531-3565
SICKLERVILLE - Sickler Hardware, 540 Williamstown Road, 08081, (609) 728-3800
TOMS RIVER - South Jersey TV Service, Inc., Stella Towne Center, 1258 Route 166, 08753, (908) 505-1771
TOTOWA - Philips Consumer Electronics, 140 J Commerce Way, 07512, (201) 890-0586
TRENTON - Tattersall, Inc., 309 N. Willow Street, 08618, (609) 393-4293

NEW MEXICO

ALBUQUERQUE - Appliance Service Center, 5505 Silver Avenue, SE, 87108, (505) 265-7774
CLOVIS - Burns Hardware, 1511 N. Prince, 88101, (505) 769-2528

NEW YORK

BAYSHORE, L.I. - Turnpike Appliance of Suffolk, Inc., 1253 Sunrise Highway, 11706, (516) 665-8311
BINGHAMTON - Hardware Fare DO-IT Center, 1139 Front Street, Nimmonsburg Square, 13905, (607) 722-9202
BUFFALO - Buffalo Appliance Repair Center, Inc., 20 Pannell Street, 14214, (716) 833-4677
BUFFALO (WILLIAMSVILLE) - Hector's Hardware, 876 Maple Road, 14221, (716) 688-4488
COMMACK, L.I. - Turnpike Appliance Service, 6181 Jericho Turnpike, 11725, (516) 499-3355
ELMIRA - Capabilities, Inc., 1149 Sullivan Street, 14901, (607) 734-2006
GREAT NECK - Turnpike Appliance Service Center, 45 Northern Boulevard, 11021, (516) 466-0644
HUDSON - Sweeps Vacuum & Repair Center, Inc., 705 Warren Street, 12534, (518) 828-5457
PEEKSKILL - Clark Appliance & Vacuum Service Corp., 950 Main Street, 10566, (914) 737-1368, (800) 765-0649
POUGHKEEPSIE - S & S Appliance Sales & Service, 390 Violet Avenue, 12601, (914) 452-6122

RICHMOND HILL - Lockdoctor Locksmiths, 104-37 Atlantic Ave., 11418 (718) 441-6242
ROCHESTER - Benfante Appliance Service, 1286 Mt. Hope Avenue, 14620, (716) 473-8765
SEA CLIFF, L.I. - Shabra Electronics, 400 Glen Cove Avenue, 11579, (516) 671-2218
STATEN ISLAND - Springstead Lumber 6232, 4255 Amboy Road, 10308, (718) 984-0300
SYRACUSE - County Wide Appliance, 1001 N. State Street, 13208, (315) 479-5253, (800) 333-3243
TUCKAHOE - Authorized Appliance of Westchester, 26 Columbus Ave., 10707, (914) 961-8011
UTICA - Oneida Bicycle & Sports Center, 2107 Whitesboro St., 13502, (315) 724-6084
WARWICK - Wadeson Home Center, 60 Forester Avenue, 10990, (914) 986-2215, (800) 982-2215 (NY only)
W. HEMPSTEAD, L.I. - Turnpike Appliance Service, 86 Hempstead Turnpike, 11552, (516) 486-5700, (800) 628-3911

NORTH CAROLINA

ASHEVILLE - Skyland Hardware, 3179 Sweeten Creek Road, 28803, (704) 684-0308
CHARLOTTE - Authorized Appliance Servicer, 1020 Tuckaseegee Road, 28208, (704) 377-4501, (800) 532-6127
CLINTON - Danny's Service Center, 119 Vance Street, 28328, (910) 592-3200
ELIZABETH CITY - Coastal Office Equipment Co., 501 East Church Street, 27909, (919) 335-2927
GREENSBORO - Greensboro Shaver & Appliance, 430 North Eugene Street, 27401, (910) 273-1065
HICKORY - First Flight Bicycles, 2435 N. Center Street, 28601, (704) 324-9350
RALEIGH - Authorized Appliance Service Center, 800 North Person Street, 27604, (919) 834-3476
STATESVILLE - First Flight Bicycles, 216 S. Center St., 28677, (704) 878-9683
WILMINGTON - American Tool & Tractor, 102 Eastwood Road, Ste. D-9, 28403, (910) 392-5784
WINSTON-SALEM - Authorized Appliance Servicer, 904 South Marshall Street, 27117, (910) 725-5396

NORTH DAKOTA

FARGO - General Parts & Supply Co., 10 S. 18th Street, 58103, (701) 235-4161, (800) 279-9987

OHIO

AKRON - Advanced Appliance Service Company, 73 W. Exchange Street, 44308, (330) 762-8968
CANTON - Appliance Parts Co., 1267 Dueber Avenue, SW, 44706, (330) 453-8077
CINCINNATI - H&S Service, 458 Cincinnati Batavia Pike, 45244, (513) 528-0808
CINCINNATI (SILVERTON) - Brand Service Center, Inc., 6944 Plainfield Road, 45236, (513) 793-1170
CLEVELAND - Majors Appliance, 5845 Turney Road, 44125, (216) 663-4650
CLEVELAND (MENTOR) - Lake Erie Lawn & Garden, 7833 Munson Rd., 44060, (216) 257-9000
CLEVELAND (PARMA) - Majors Appliance, 5785 Ridge Road, 44129, (216) 884-7200
CLEVELAND (WESTLAKE) - Philips Consumer Electronics, 24090 Detroit Avenue, 44145, (216) 899-2040, (800) 331-7037
DAYTON - Layer Electric, 603 South Ludlow Street, 45402, (937) 224-9608
DAYTON (NEW CARLISLE) - Ballweg Do-It Center, 3300 South Dayton, Lakeview Rd., 45344, (937) 849-1306
LIMA - Crouse Lumber Do-It Center, 333 E. Market Street, 45801, (419) 229-9070, (800) 826-9663
NEW BOSTON - True Value Toy Town, Rt. 52 & 139, 45662, (614) 456-5704
STRYKER - Short's Hardware, 115 N. Depot Street, 43557, (419) 682-4231
TOLEDO - Broadway Sales and Appliance Repair, 1621 Broadway, 43609, (419) 241-9731, (800) 436-5415
YOUNGSTOWN - O'Connor's, 3224 Market Street, 44507, (330) 782-4705

OKLAHOMA

OKLAHOMA CITY - Brand Service Center, 538 N. Pennsylvania Avenue, 73107, (405) 235-0583
TULSA - H.L. Moss, Inc., 1714 E. 15th Street, 74104, (918) 744-1305, (800) 248-5948

OREGON

PORTLAND - Appliance Repair Central, 3203 N. E. Sandy Blvd., 97232, (503) 234-7339, (800) 588-7339

PENNSYLVANIA

ALTOONA - Frye's Sweeper & Sewing Center, Inc., 1400 Valley View Boulevard, 16602, (814) 943-5001, (800) 640-1308
HARRISBURG - C.A. Juillard, Inc., 2301 North Seventh Street, 17110, (717) 233-3488, (800) 633-3488
JOHNSTOWN - Cambria True Value Hardware, West Hills Square, Goucher Street, 15905, (814) 255-4752
KINGSTON - Vac-Way Appliance & Service, 595 Market Street, 18704, (717) 288-4508
LITTLESTOWN - Machinery Services, 830 West King Street, 17340, (717) 359-5051
MOSCOW - Vac-Way Appliance & Service, RR #6 Box 6237, 18444, (717) 842-4668
ORANGEVILLE - Hess Do-It Center & Market, Route 487, Box 4 M, 17859, (717) 683-5162
PHILADELPHIA - Appliance Care/Service Corp., 6407 Rising Sun Ave., 19111, (215) 725-3112

Authorized Service Centers

PHILADELPHIA (COLLINGDALE) - J.F. Kenney Electric, 920 MacDade Boulevard, 19023, (610) 534-7373

PITTSBURGH - Ferry Electric Service Co., 7498 McKnight Road, 15237, (412) 364-3403

PITTSBURGH - Ferry Electric Service Co., 140 Clairton Blvd., 15236, (412) 653-6004

READING - Electric Repair Co., 502-504 North 9th Street, 19604, (610) 376-5444, (800) 422-8171 (PA only)

SCRANTON - Vac-Way Appliance and Service, 601 Cedar Avenue, 18505, (717) 343-1121

SHAMOKIN DAM - Willard Battery Outlet, 138 S. Old Trail, 17876, (717) 743-5383

TROY - Hoover Hardware, 9 Canton, 16947, (800) 251-2156, (717) 297-3445

WASHINGTON - Murphy Family Inc., 585 East National Pike, 15301, (412) 225-0324

WILKES-BARRE - Walter Hardware DO-IT Center, 57 N. Welles Street, 18702, (717) 823-1406

YORK - Parcel Plus, 2549 E. Market Street, York Market Place, 17402, (717) 757-1875

PUERTO RICO

GATINEAU - Les Equipements Brabant & Fils, 776B Blvd. Maloney, J8P 1G6, (819) 663-2526

HATILLO - Tropical Parts Service, P.O. Box 1335, Road 130 KM 8.5, 00659, (787) 898-6474

MAYAGUEZ - Cardona Appliance Service, 8 San Vicente Sreet, 00680, (787) 832-8366

MAYAGUEZ - Melendez Home Appliance Repair, Calle Post 319 Sur, 00680, (787) 832-5225

PONCE - Ferreteria Vivian, Centro Comercial, Los Caobos #7, 00731, (787) 840-0677

PUERTO NUEVO - Buckeye Service, 1013 Jesus T. Pinero Avenue, 00920, (787) 782-6175

RHODE ISLAND

PROVIDENCE - Marshall Electric Co., 200 Broad Street, 02903, (401) 331-4482

SOUTH CAROLINA

CHARLESTON HEIGHTS - Dorchester Electric Service, 3575 Dorchester Avenue, 29405, (803) 747-5221

COLUMBIA - Authorized Appliance Servicenter, 1811 Taylor Street, 29202, (803) 254-8414

DARLINGTON - Hobbies and More, 1570 South Main Street, 29532, (803) 393-0355, FAX (803) 393-8171

GREENWOOD - Bikes & Boards & Mopeds, 203A Montague Avenue, 29646, (864) 229-2533

SENECA - Seneca Micronics, 110 East North First, 29678, (864) 882-6593

SPARTANBURG - Boiling Springs Hardware, 3124 Boiling Springs Rd, 29303, (864) 578-1852

VARNVILLE - P&S Small Engine & Variety Shop, 105 Carolina Avenue, West, 29944, (803) 943-9141

TENNESSEE

CHATTANOOGA - Light Electric, 732 East 11th Street, 37403, (615) 267-9224

KNOXVILLE - Appliance & Electric Service Company, 4816-M Kingston Pike, 37919, (423) 588-5395, (800) 585-5395

KNOXVILLE - Authorized Appliance Service Center, 1206 North Central Street, 37917, (423) 524-3376

MEMPHIS - Camp Electric Co., 647 Madison Avenue, 38103, (901) 527-7543, (800) 238-7345

NASHVILLE - Webb's Appliance Service Center, Inc., 1519 Church Street, 37203, (615) 329-4079, (800) 899-4079

TEXAS

ABILENE - Metro Small Appliance Service Co., 141 S. Clyde, 79605, (915) 672-1853

AMARILLO - Reid's Appliance Service, Inc., 906 Georgia, 79102, (806) 373-8812

ANTHONY - Villarreal & Sons Elec., 512 S. Third Street, 79821, (915) 886-3362

AUSTIN - Harrell Supply and Service, Inc., 5435 Burnet Road, 78756, (512) 451-6464, (800) 332-7250 (TX only)

AUSTIN - Harrell Supply and Service, Inc., 1409 West Oltorf, 78704, (512) 442-5966

AUSTIN (ROUND ROCK) - Harrell Supply, 907c Interstate Highway 35, 78664, (512) 388-0866

CORPUS CHRISTI - Brand Appliance & Microwave, 2751 South Staples, 78404, (512) 854-1851

DALLAS - Pearsol Appliance Co., 3127 Main Street, 75226, (214) 939-0930

DALLAS - All Type Sales and Service Co., Inc., 2835 Irving Blvd., 75207, (214) 638-1170, (800) 717-1170

FT. WORTH - Ft. Worth Shaver and Appliance Center, 1012 West 7th Street, 76102, (817) 335-9970

HOUSTON - Brand Service Center, 5727 Richmond Avenue, 77057, (713) 782-8910

HOUSTON - Brand Service Center, 1970 FM 1960, 77090, (713) 537-7795

LAREDO - Rubio Electric, 1719 San Bernardo, 78040, (210) 722-3908

LONGVIEW - Toys and Things, 918 NW Loop 281, 75604, (903) 759-3939

LUBBOCK - Minter's, 4409 50th Street, 79414, (806) 799-3170

LUFKIN - STS Audio and Video, 1505 South First Street, 75901, (409) 639-4529

MC ALLEN - All-In-One Repair Shop, 2313 Lark Avenue, 78504, (210) 682-8858

MIDLAND - Midland Tool Specialty, 918 South Main, 79701, (915) 682-4647, (800) 499-0755

PASADENA - Larry's TV Service, 3520 Fairmont Parkway, 77504, (713) 998-0122, (800) 244-0281

ROMA - True Value Hardware, 1004 E. Highway 83, (210) 849-1322

SAN ANTONIO - Brand Service Center, 7065 San Pedro Avenue, 78216, (210) 344-8577

SEYMOUR - Western Auto, 211 N. Main Street, 76308, (817) 888-3980

TEMPLE - Master Tech Repairs, 2819 West Avenue North, 76504, (817) 773-8991

VICTORIA - Tom's Video Service, 211 East Anaqua, 77901, (512) 576-0664, (800) 433-0664

WICHITA FALLS - Burke's Appliance Service, 2410 10th Street, 76309, (817) 723-6211

UTAH

OREM - The Mending Shed, 1735 South State Street, 84058, (801) 225-8012, (800) 339-9297

SALT LAKE CITY - Appliance Service Center, Inc., 210 East 6th South, 84111, (801) 328-9703

VERMONT

RUTLAND - Appliance Service Center Ltd., 152 Woodstock Avenue, 05701, (802) 773-8917

VIRGINIA

FREDERICKSBURG - Logan Electric Service, Inc., 98 Industrial Drive, 22408, (540) 898-8873

HARRISONBURG (PENN LAIRD) - J.L. Maintenance & Repair, Inc., Route 2, Box 308, 22846, (540) 289-9844

NEWPORT NEWS - Commonwealth Electric Shaver Sales & Service, Inc., 10105 Jefferson Ave., 23605, (757) 595-6712

NORFOLK - Commonwealth Electric Shaver Sales & Service, Inc., 6612 E. Virginia Beach Blvd., 23502, (804) 461-4475

ROANOKE - Commonwealth Shaver & Appliance Service, 5524 Williamson Road, NW, 24012, (540)366-6038

SOUTH BOSTON - South Boston True Value, 307 Broad Street, 24592, (804)572-6666

VIENNA - Appliance Fix-It, 8455 Tyco Road, 22182, (703) 893-1234

WINCHESTER - Battery Mart of Winchester, Inc., 1 Battery Dr., 22601, (703) 655-0065

WOODBIDGE - Baker's Appliance, 13314 Occoquan Road, 22191, (703) 490-5605

WASHINGTON

SEATTLE - Ajax Electric, 2911 First Avenue South, 98134, (206) 622-9945

SEATTLE (BELLEVUE) - Action Small Appliance Service, 1500 145th Place, SE, 98007, (206) 643-9806

SPOKANE - SPARCO, West 45 2nd Avenue, 99204, (509) 624-8965

SPOKANE - SPARCO, N. 1119 Pines Rd., 99206, (509) 922-9666

WEST VIRGINIA

BECKLEY - Jerry's Detectors, Vacuum & Appl. Svc., 411 Second Street. 25801, (304) 253-3521

CHARLESTON - Sneed's Vacuum & Sewing Center, 2614 7th Avenue, 25312, (304) 744-3670, (800) 245-8048 (WV only)

HARRISVILLE - Western Auto, 1107 E. Main St., 26362, (304) 643-2226

HUNTINGTON - Mike's Appliance and Service, 212 20th Street, 25703, (304) 522-0737

MARTINSBURG - Battery Mart, 1161-3 Winchester Avenue, 25401, (304) 267-7033, (800) 464-7918

WHEELING - Fast Service Center, 1058 Main Street, 26003, (304) 232-5561 (800) 874-4090

WISCONSIN

APPLETON - G/Tech Electric Tool & Housewares Service, 600 W. College Ave., 54911, (414) 739-6064, (800) 400-6064

GREENBAY - Kastle Carts, Inc., 2301 N.Irwin Ave., 54313, (414) 465-6121

LACROSSE - Paul's Shaver Service, 1224 Caledonia Street, 54603, (608) 782-6291

MADISON (MONONA) - Kiefer's Shaver and Appliance, 4511 Monona Drive, 53716, (608) 221-3322

MAUMETTE - Della Do-It Center, W 1536 Highway 41, 54143, (715) 732-1768

MILWAUKEE - Brand Appliance Repair, Inc., 3707 North 92nd Street, 53222, (414) 461-0440

MILWAUKEE - Brand Appliance Repair, Inc., 6000 W. Oklahoma Street, 53219, (414) 541-4340





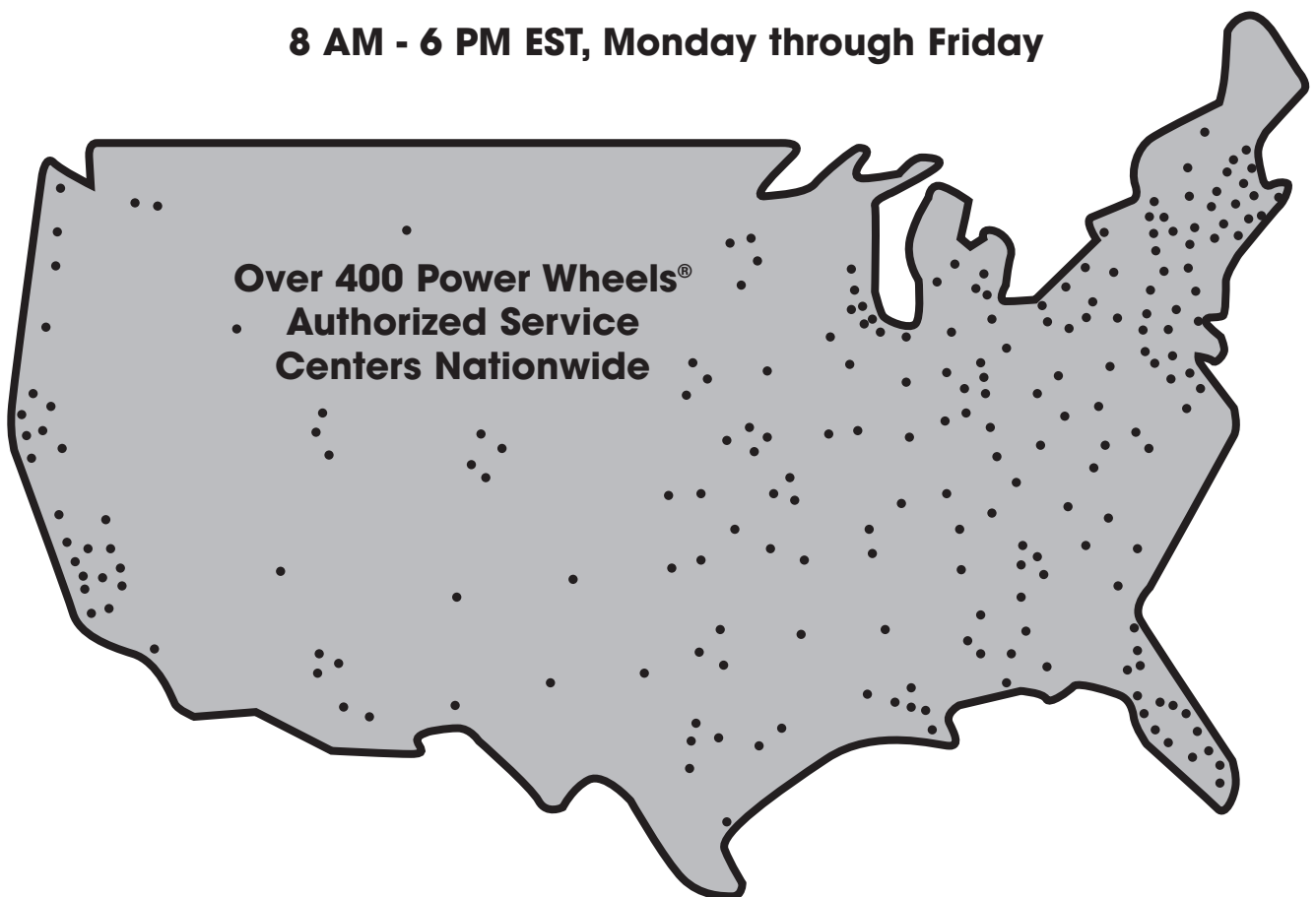
Do Not Return Your Vehicle to the Store

If you are missing parts or need assistance, please call us toll-free:

Power Wheels Consumer Affairs

1-800-348-0751

8 AM - 6 PM EST, Monday through Friday



Or contact your local Power Wheels® Authorized Service Center.

For the location nearest you, refer to the
Authorized Service Center list in this manual.



Fisher-Price, Inc., a subsidiary of Mattel, Inc., East Aurora, New York 14052, U.S.A.
©1998 Mattel, Inc. All Rights Reserved.
® & ™ designate U.S. trademarks of Mattel, Inc.

74180 1 74180-0920
Printed in the U.S.A.