

This Owner's Manual is provided and hosted by [Appliance Factory Parts](#).



# FISHER PRICE 74240 Owner's Manual

[Shop genuine replacement parts for FISHER PRICE  
74240](#)



[Find Your FISHER PRICE Ride On Parts - Select From 999 Models](#)

----- Manual continues below -----

# Jeep<sup>®</sup> Junior



Product features and decoration may vary from the picture above.

**Please read this manual and save it with your original sales receipt.**

Adult assembly is required.

Tools needed for assembly: Phillips Screwdriver and Hammer (tools not included).  
Requires six "D" (LR20) **alkaline** batteries for motorized use (batteries not included).

Jeep and the Jeep grille design are registered trademarks of DaimlerChrysler Corporation and are used under license. ©DaimlerChrysler Corporation

Goodyear (and winged foot design) and Wrangler (for tires) are trademarks of The Goodyear Tire & Rubber Company, used with permission.

Fisher-Price, Power Wheels, Power Wheels by Fisher-Price and Power Lock are U.S. trademarks of Mattel, Inc.

[www.powerwheels.com](http://www.powerwheels.com)



## Owner's Manual with Assembly Instructions

For Model 74240

# Table of Contents

A	Important Information	.2
B	Warnings	.2
C	Parts	.3
D	Parts Diagram	.5
E	Assembly	.6
F	Label Decoration	.11
G	Battery Installation	.12
H	Rules for Safe Driving	.13
I	How to Operate Your Vehicle	.14
J	FCC Statement (United States Only)	.15
K	Caring for Your Vehicle	.15
L	Statement of Limited Warranty	.15
M	Authorized Service Centers	.16

## A

### Important Information

- Read this manual carefully for important safety information and operating instructions before using this vehicle. Keep these instructions for future reference, as they contain important information.
- This vehicle is designed for use: on asphalt or other hard surfaces; on generally level terrain and by children 12 to 36 months of age.
- To prevent damaging the motors, do not tow anything behind the vehicle or overload it. Do not exceed the maximum weight capacity of 40 lbs (18 kg).
- Use this scooter **ONLY** outdoors. Most interior flooring can be damaged by riding this scooter indoors. Fisher-Price® will not be responsible for damage to floors if the scooter is used indoors.
- If you have any questions about your Power Wheels® vehicle, please call our toll-free service lines at **1-800-348-0751** from 8 AM to 6 PM (EST) Monday through Friday. Trained customer service representatives are available to take your call in English or French. Habla Español? Si usted tiene alguna pregunta ó necesita asistencia llame gratis **1-800-348-0755** para los Estados Unidos. Tenemos representantes que hablan español para atender su llamada.
- For your convenience, Power Wheels maintains an Authorized Service Center Network with more than 400 authorized service centers nationwide. Our authorized service centers will repair or replace parts under warranty at no extra charge, and can perform non-warranty repairs for a minimal charge. Please see the Authorized Service Center list beginning on page 16 to find the authorized service center nearest to you, or call **1-800-348-0751**.
- Please complete and return the enclosed Registration Card today, or call **1-800-348-0751** to register your vehicle by phone.
- Make sure children know and follow these rules for safe driving and riding: always sit on the seat; always wear shoes; only 1 (one) rider at a time.

## B

### Warnings

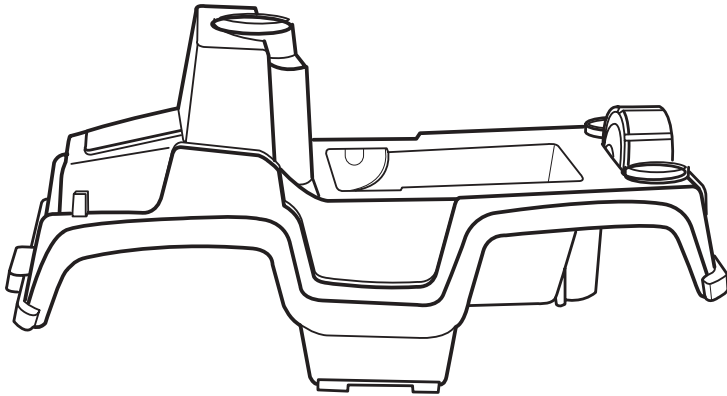


#### WARNING

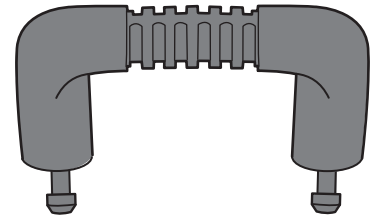
- **Prevent Injuries and Deaths**
  - Direct Adult Supervision Required
  - Keep Children Within Safe Riding Areas. These areas must be:
    - away from swimming pools and other bodies of water to prevent drownings
    - generally level to prevent tipovers
    - away from steps, driveways, cars,
  - Not to be used by children over 36 months or 40 lbs. (18 kg). The product may become overloaded.

- If you experience a problem with this product, or are missing a part, please call us at **1-800-348-0751**, rather than return this product to the store.
- Please identify all parts before assembly and save all packaging material until assembly is complete to ensure that no parts are discarded.
- Metal parts have been coated with a lubricant to protect them during shipment. Wipe all metal parts with a paper towel to remove any excess lubricant.

**\*IMPORTANT!** The steering linkage is fastened under the seat for shipment. Please remove it before you begin assembly.



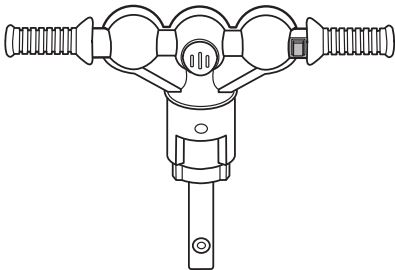
Vehicle Body



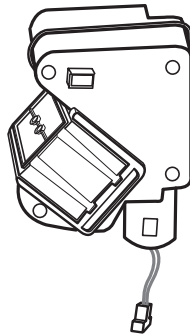
Sport Bar



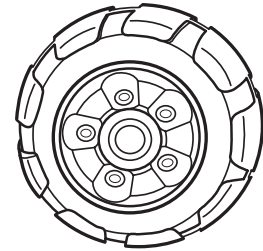
Steering Linkage\*



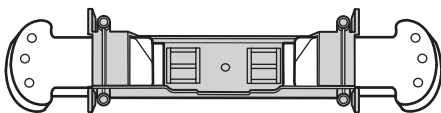
Handlebar



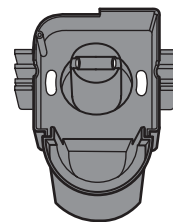
Motor Assembly



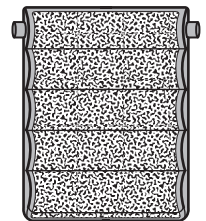
Wheel - 4



Foot Peg Assembly



Rear Axle Support



Seat

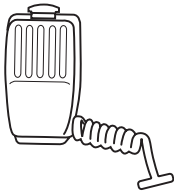


Front Axle

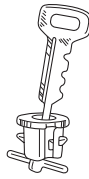


Rear Axle

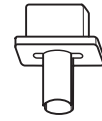
# Parts



Microphone



Key Assembly



Rectangular Bushing  
with Extension - 4



Rectangular  
Bushing - 4



Round Bushing - 4



Washer Plate - 2

Not Shown: Label Sheet



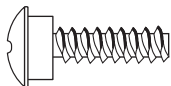
#8 x  $\frac{7}{8}$ " Trusshead Screw - 2



#8 x  $\frac{3}{4}$ " Screw - 4



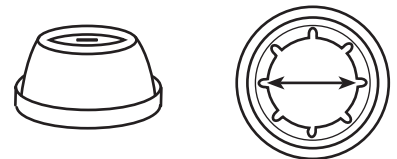
#8 x  $1\frac{1}{4}$ " Screw



#8 x  $\frac{5}{8}$ " Trusshead Shoulder Screw - 2



Round Washer - 2

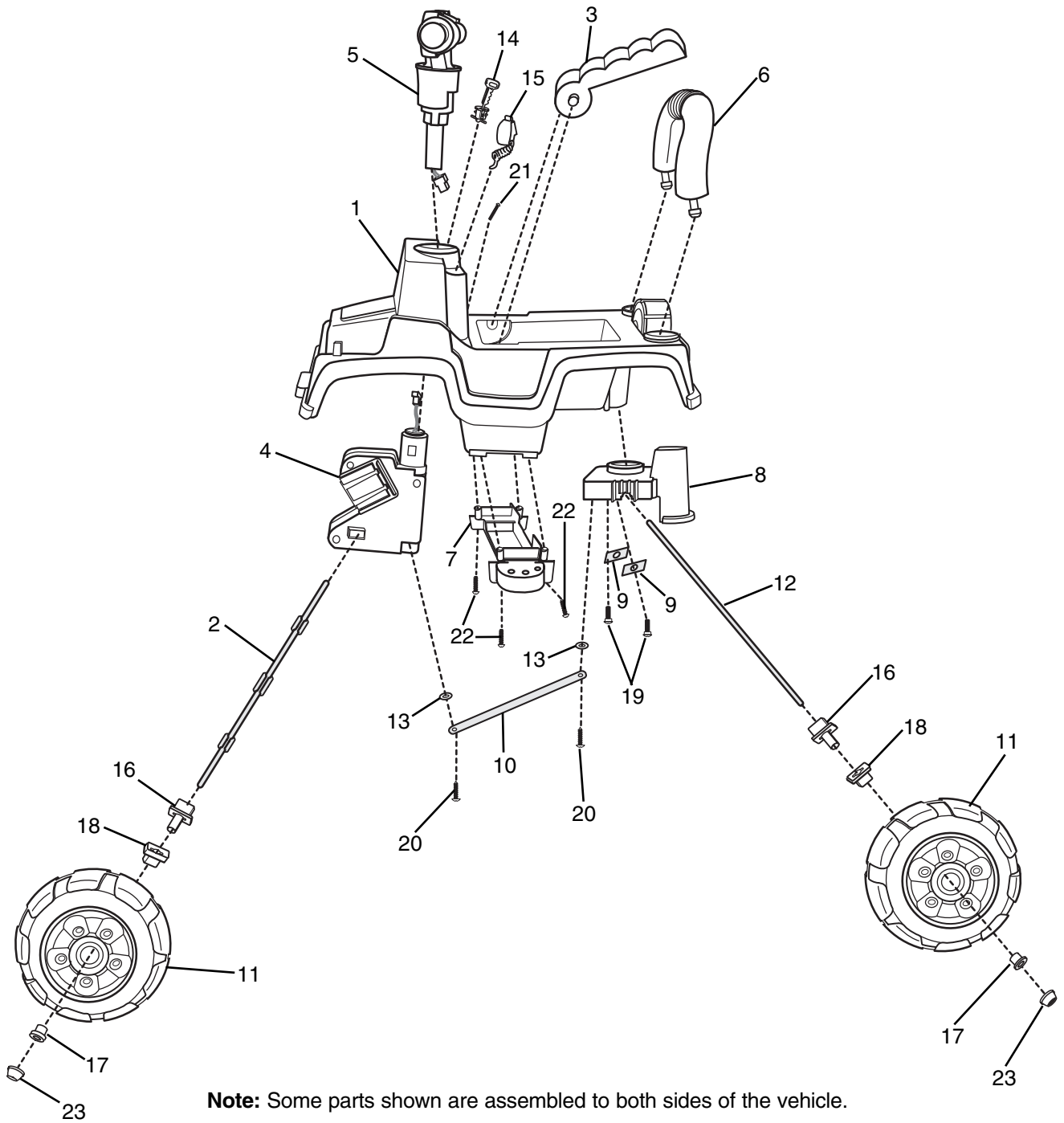


.354 Cap Nut - 4

**All Shown Actual Size**

# D

## Parts Diagram



**Note:** Some parts shown are assembled to both sides of the vehicle.

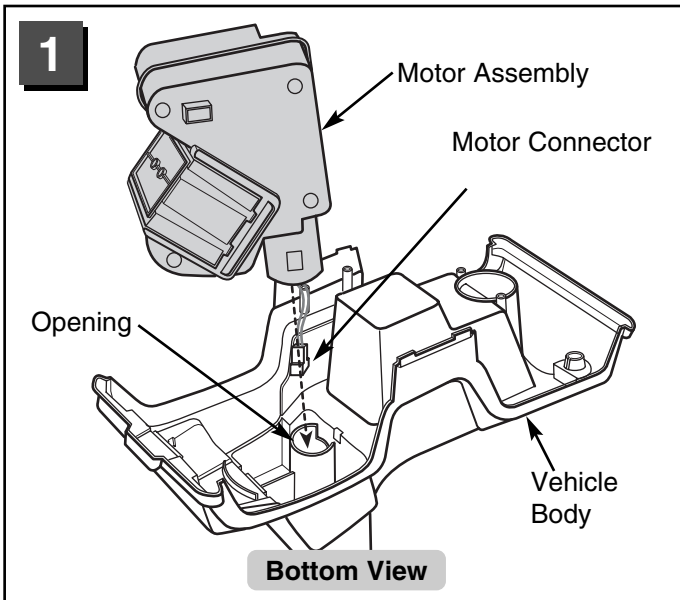
- |                      |  |  |
|----------------------|--|--|
| 1. Vehicle Body      | 10. Steering Linkage                       | 17. Round Bushing - 4                                |
| 2. Front Axle        | 11. Wheel - 4                              | 18. Rectangular Bushing - 4                          |
| 3. Seat              | 12. Rear Axle                              | 19. #8 x $\frac{7}{8}$ " Trushead Screw - 2          |
| 4. Motor Assembly    | 13. Round Washer - 2                       | 20. #8 x $\frac{5}{8}$ " Trushead Shoulder Screw - 2 |
| 5. Handlebar         | 14. Key Assembly                           | 21. #8 x $1\frac{1}{4}$ " Screw                      |
| 6. Sport Bar         | 15. Microphone                             | 22. #8 x $\frac{3}{4}$ " Screw - 4                   |
| 7. Foot Peg Assembly | 16. Rectangular Bushing with Extension - 4 | 23. .354 Cap Nut - 4                                 |
| 8. Rear Axle Support |  |  |
| 9. Washer Plate - 2  |  |  |

**Not Shown**  
Label Sheet

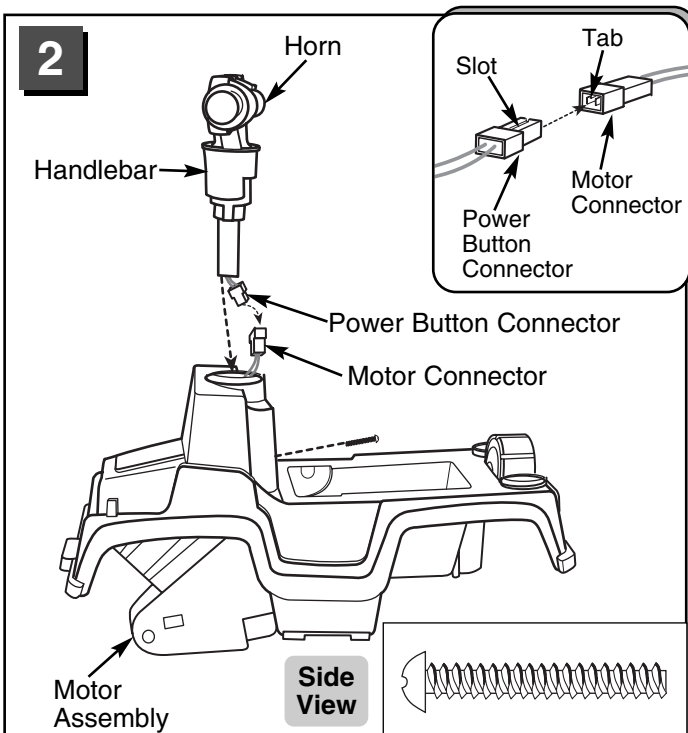


## CAUTION

This product contains small parts in its unassembled state. Adult assembly is required.



- Position the vehicle body upside down on a flat surface.
- Fit the motor assembly into the opening towards the front of the vehicle body. Make sure the motor connector extends through the opening.

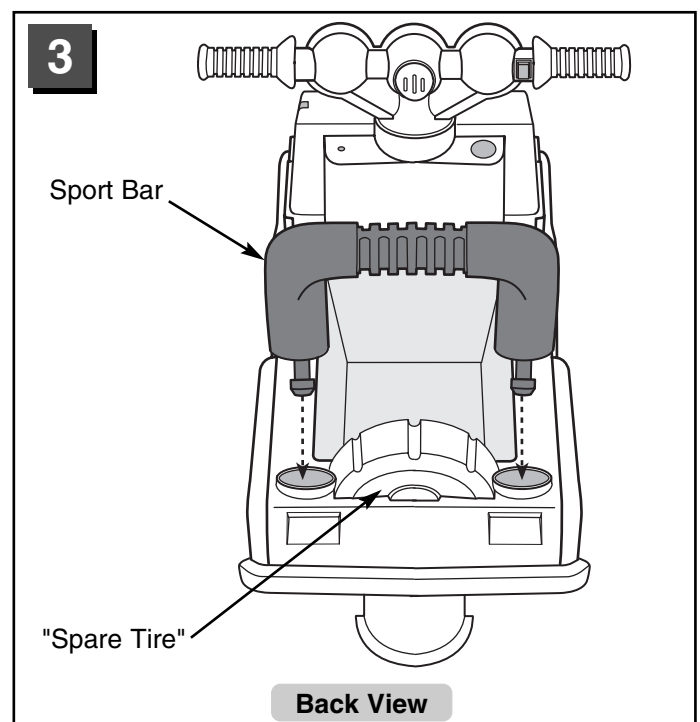


- Hold the motor assembly in place and position the vehicle body upright.

- Align the slot in the handlebar's power button connector with the tab on the motor connector and push firmly to plug the two connectors together. **Make sure the two connectors are fully engaged.**
- Fit the connectors neatly into the opening.
- Fit the handlebar stem in the hole in the vehicle body. **Make sure the horn on the handlebar faces the rear of the vehicle body.**
- Insert a #8 x 1/4" screw through the hole in the motor assembly.

**Note:** You may need to rotate the motor assembly slightly to align the holes.

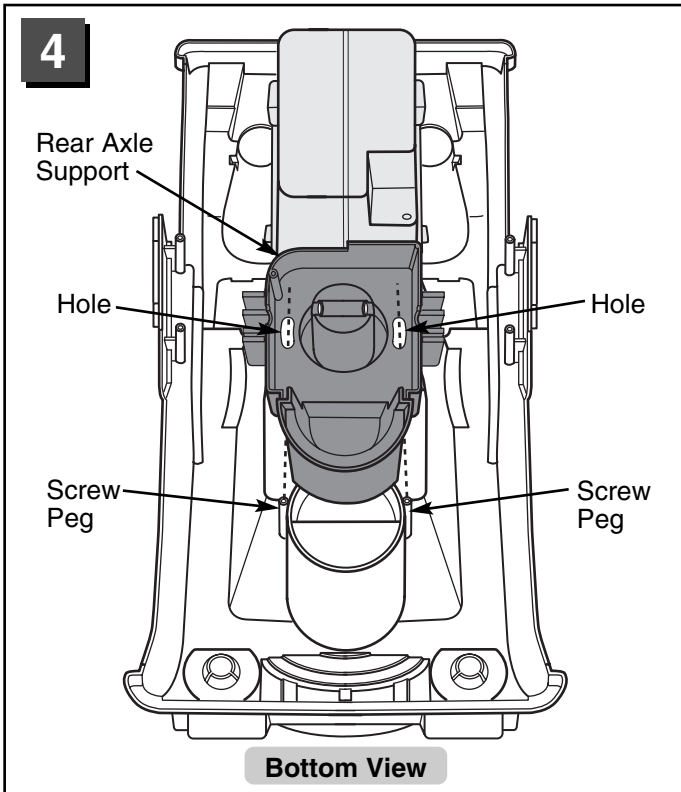
- Tighten the screw with a Phillips screwdriver. Do not over-tighten.



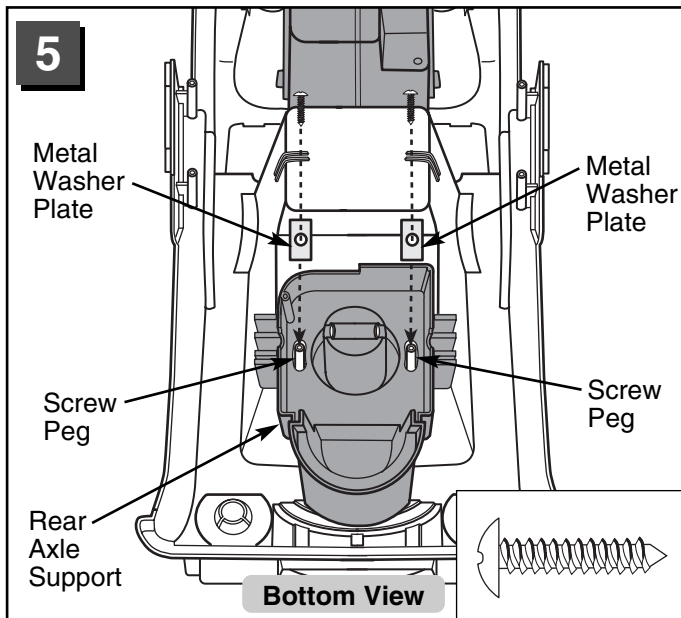
- Position the sport bar over the vehicle body so that it angles towards the rear of the vehicle.
- Fit the ends of the sport bar into the holes to the sides of the "spare tire".
- Push **firmly** on each side of the sport bar to snap the ends into the vehicle body.

**Hint:** You may need to rock the sport bar back and forth while pushing it into the vehicle body.

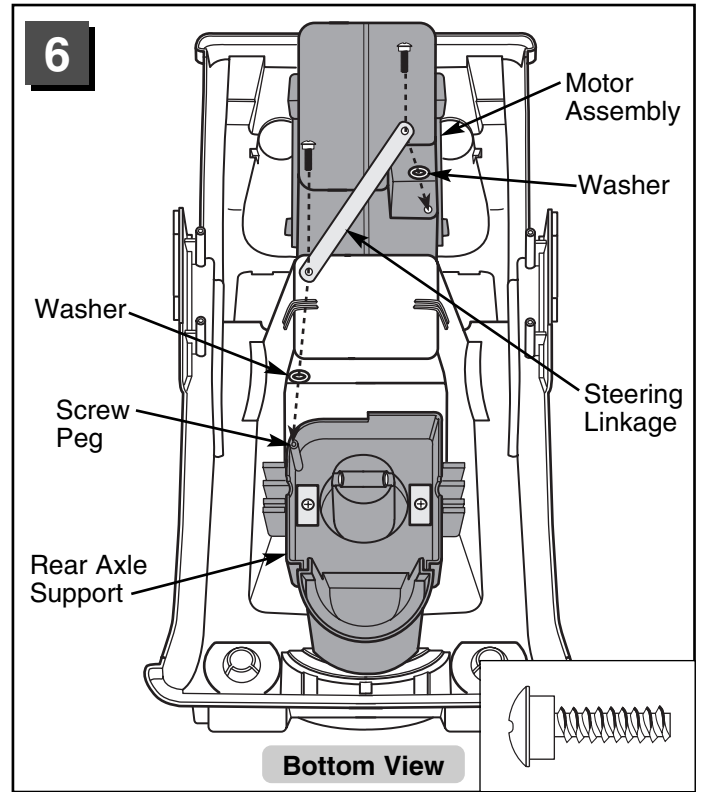
# Assembly



- Position the vehicle body upside down.
- With the cupped side of the rear axle support facing up, fit the holes in the rear axle support onto the screw pegs on the vehicle body.



- Fit the two metal washer plates onto the vehicle body screw pegs extending through the rear axle support.
- Insert a #8 x  $\frac{7}{8}$ " trusshead screw through each metal washer plate and into the vehicle body.
- Tighten the screws with a Phillips screwdriver but **do not over-tighten. It is important that the metal washer plates move freely under the screws.**

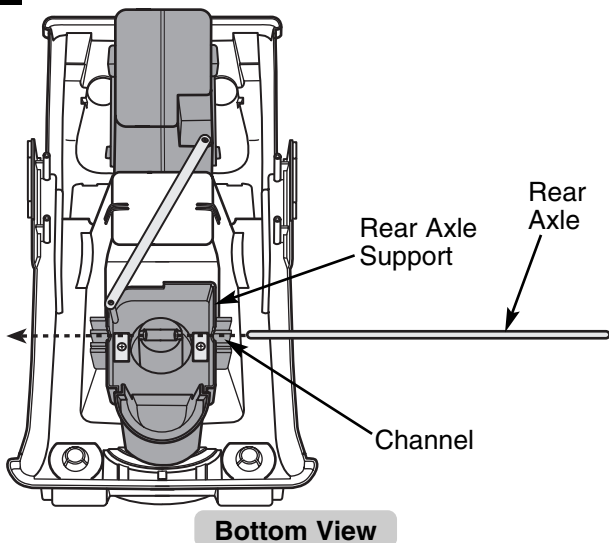


- Insert #8 x  $\frac{5}{8}$ " trusshead shoulder screws through the holes in the steering linkage.
- Fit a round washer on the end of each screw.
- Insert one of the screws (with washer) into the screw peg on the rear axle support. Insert the other screw (with washer) into the hole in the motor assembly.
- Tighten the screws with a Phillips screwdriver but **do not over-tighten. It is important that the screws not restrict movement of the steering linkage.**



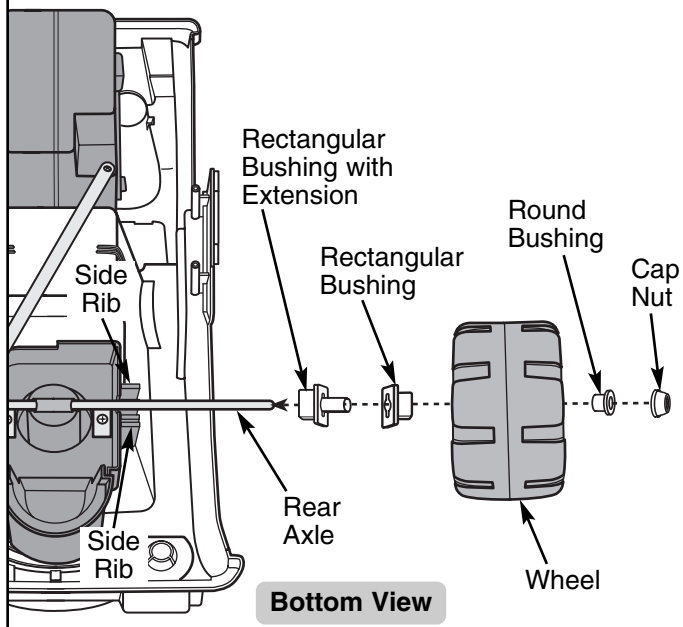
# Assembly

7



- Slide the rear axle into the channel in the rear axle support.
- Note:** The rear axle is smooth; the front axle has tabs.
- Center the rear axle in the channel.

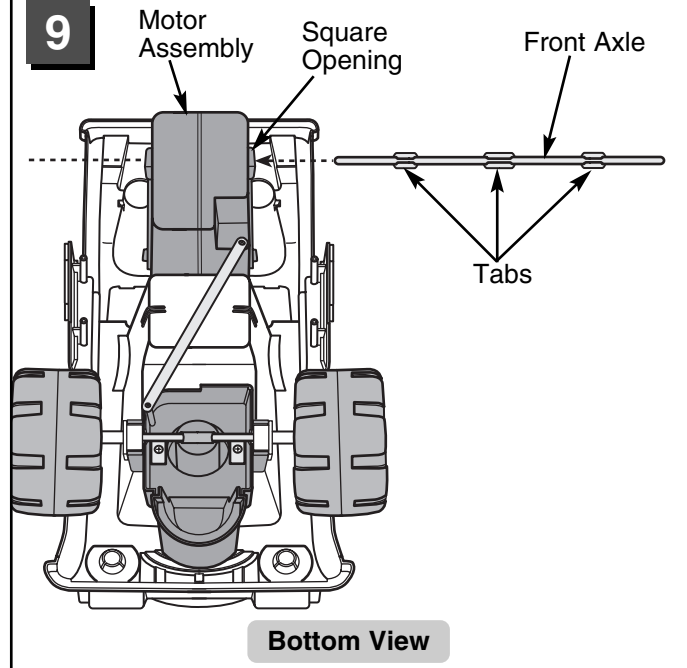
8



- Slide a rectangular bushing with extension (bushing side first) onto one end of the rear axle.
- **Fit the bushing between the two side ribs on the rear axle support.**
- Slide a rectangular bushing (without extension) onto the rear axle.
- Slide a wheel ("hubcap" side out) onto the rear axle.

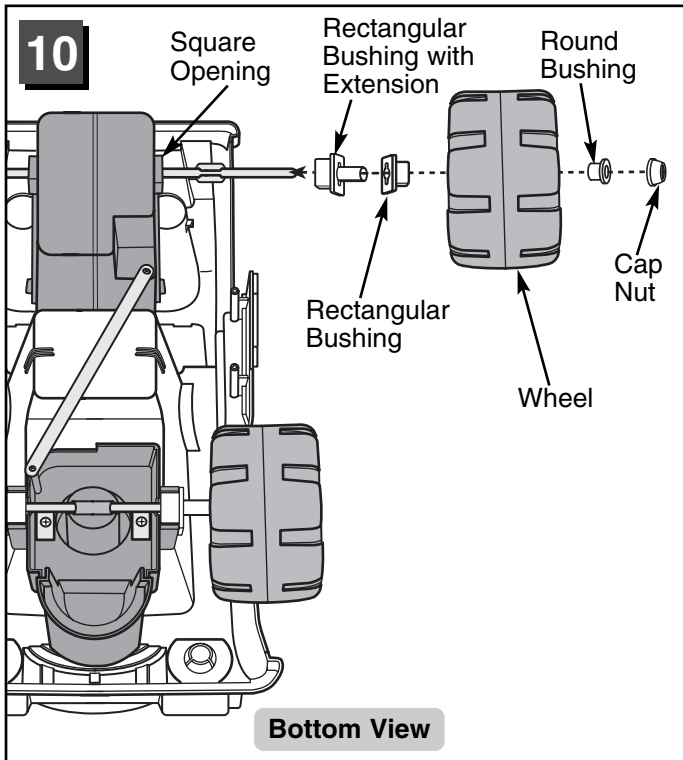
- Slide a round bushing into the center of the wheel.
- Press the round bushing (barrel side first) onto the rear axle.
- Fit a cap nut on the end of the rear axle. While supporting the opposite end of the rear axle, tap the cap nut with a hammer to secure it on the end of the rear axle.
- Pull on the wheel to make sure the cap nut is secure.
- Repeat this procedure to assemble a wheel on the other side of the rear axle.

9

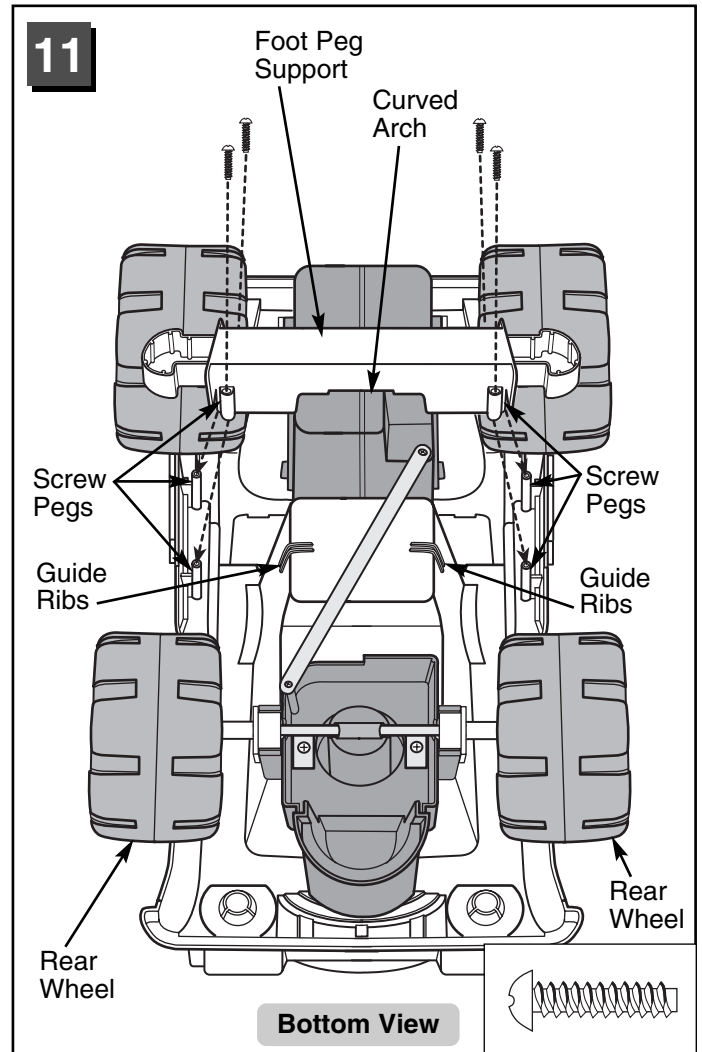


- Slide the front axle through the square openings in the motor assembly.
- Note:** You may need to rotate the front axle to fit the tabs on the axle through the keyhole opening on the inside of the motor assembly.
- Center the front axle in the motor assembly.

# Assembly



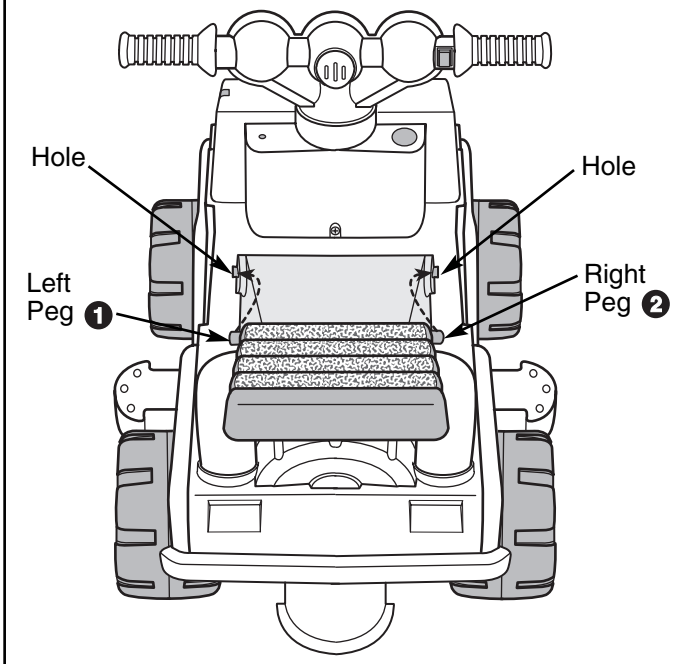
- Slide a rectangular bushing with extension (bushing side first) onto one end of the front axle.
- **Press the bushing into the square opening on the motor assembly.**
- Slide a rectangular bushing (without extension) onto the front axle.
- Slide a wheel ("hubcap" side out) onto the front axle.
- Slide a round bushing (barrel side first) onto the front axle.
- Press the round bushing into the center of the wheel.
- Fit a cap nut on the end of the front axle. While supporting the opposite end of the front axle, tap the cap nut with a hammer to secure it on the end of the front axle.
- Pull on the wheel to make sure the cap nut is secure.
- Repeat this procedure to assemble a wheel on the other side of the front axle.



- Turn the foot peg support upside down (flat side up) and position it over the center of the vehicle body so that the side with the curved arch faces toward the rear wheels.
- Align the four screw pegs on the foot peg support with the four screw pegs on the vehicle body. **Make sure that the bottom edge of the foot support fits into the two sets of guide ribs on the vehicle body.**
- Insert four #8 x 3/4" screws through the screw pegs and into the vehicle body. Tighten the screws with a Phillips screwdriver. Do not over-tighten.

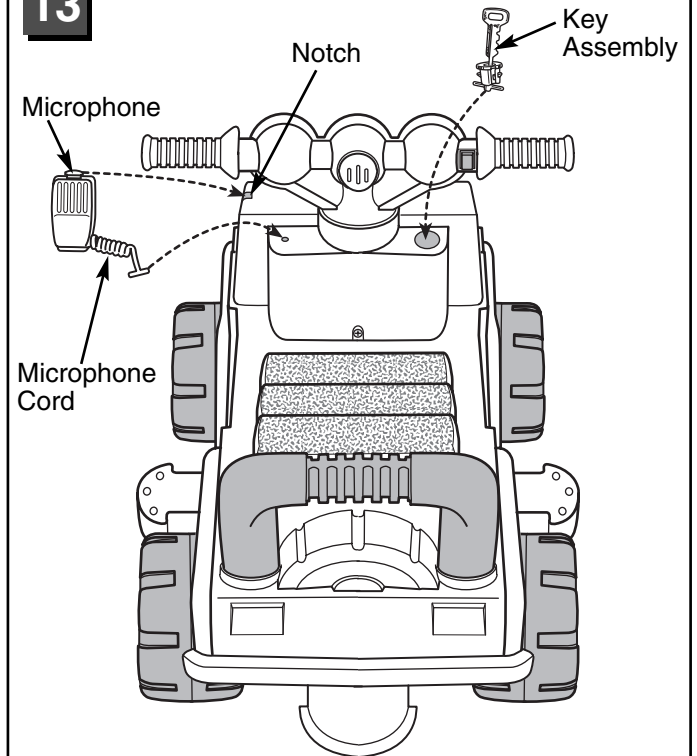
# Assembly

12



- Position the vehicle body upright.
- Fit the peg on the left side of the seat into the hole in the left side of the vehicle body **1**.
- Push firmly near the peg on the right side of the seat to snap it into the hole in the right side of the vehicle body **2**.

13



- Fit the key assembly into the large hole below the handlebar.
- Bend the end of the microphone cord so that the tip forms a "T".
- Fit the end of the microphone cord into the small hole below the handlebar. Pull up gently on the microphone cord to make sure it is secure.
- Fit the tab on the back of the microphone into the notch on the side of the vehicle body.

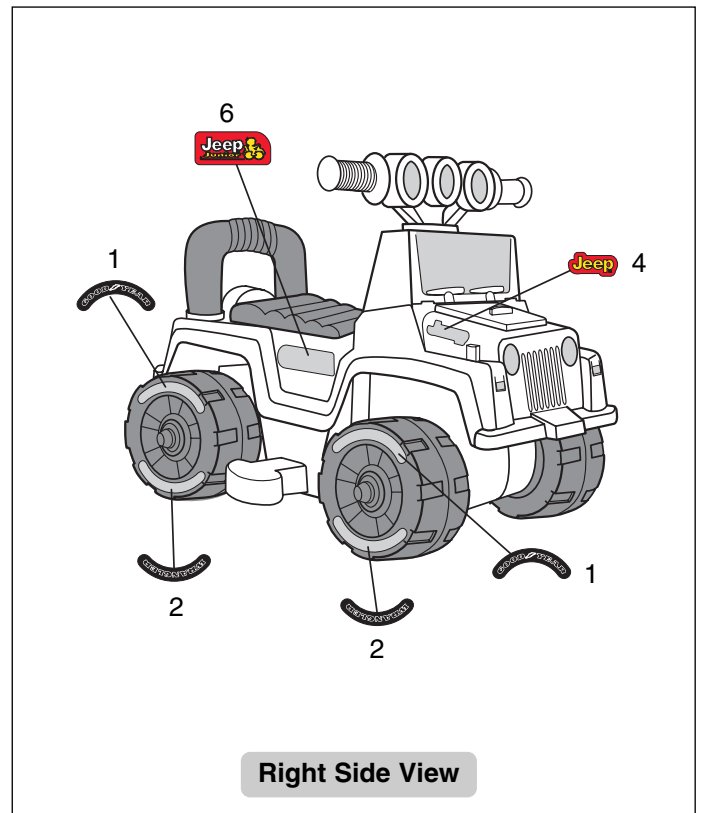
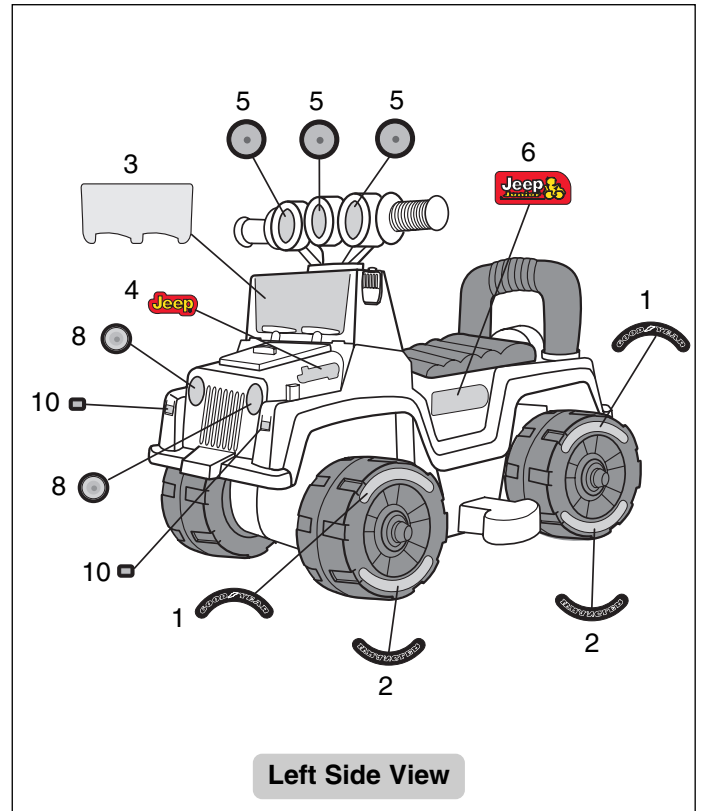
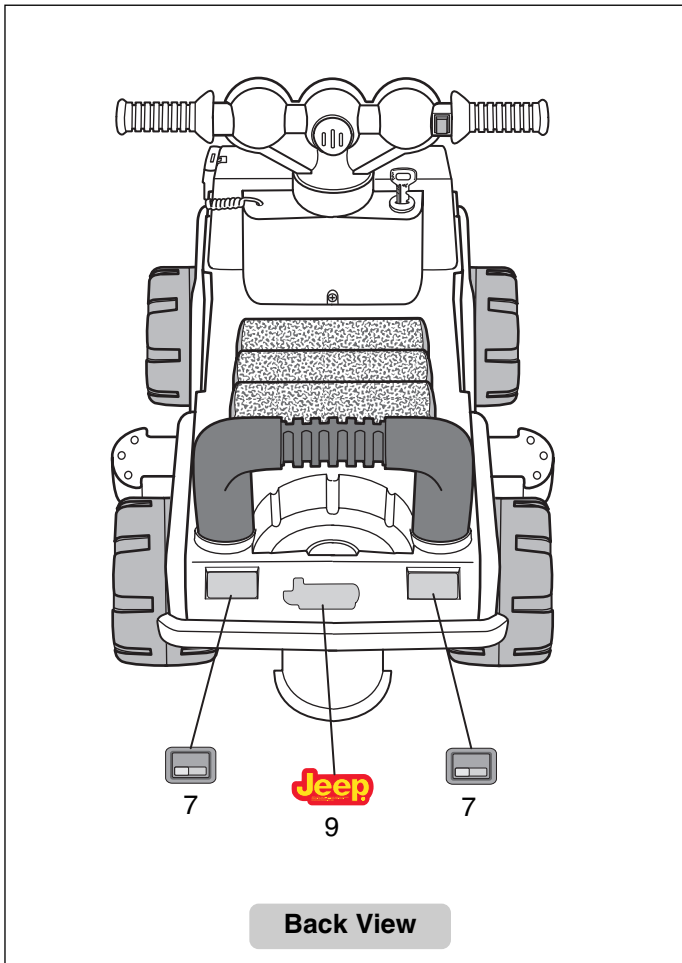
**One-time assembly is now complete.**

# F

## Label Decoration

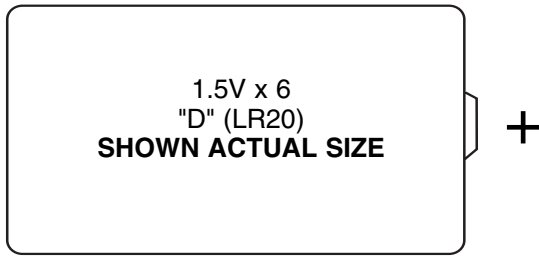
Proper label application will help to keep the labels looking their best!

- Wash your hands before applying the labels.
- Make sure the areas where the labels will be applied are clean and dry. Wipe your vehicle with a clean, soft, dry cloth to remove any dust or oils.
- For best results, avoid repositioning a label once it has been applied to the vehicle.
- Apply the labels as shown in the illustrations.
- **After applying each label, rub the label firmly with a clean, dry cloth to make sure the label is adhered to your vehicle.**

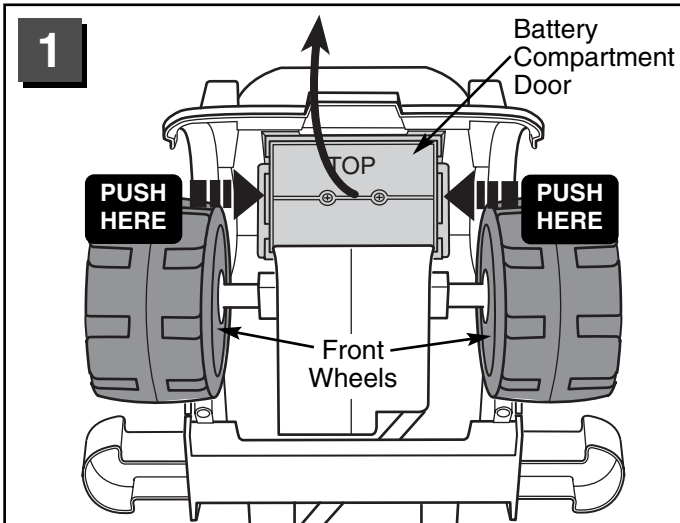


# G

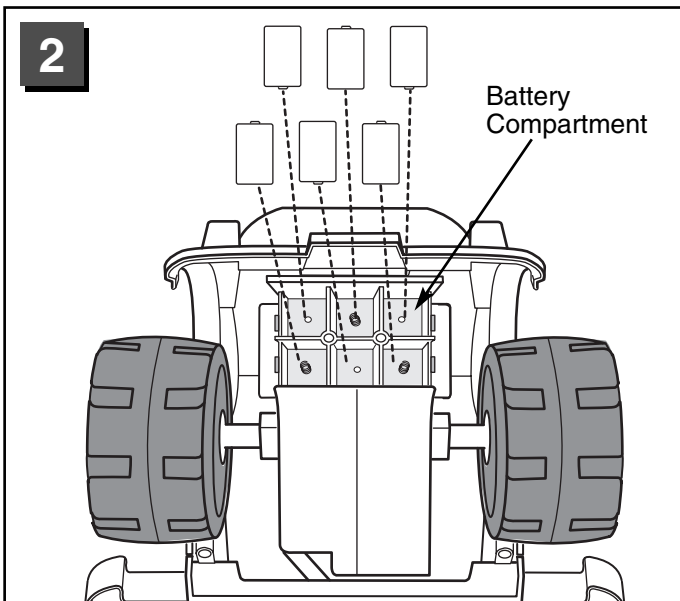
## Battery Installation



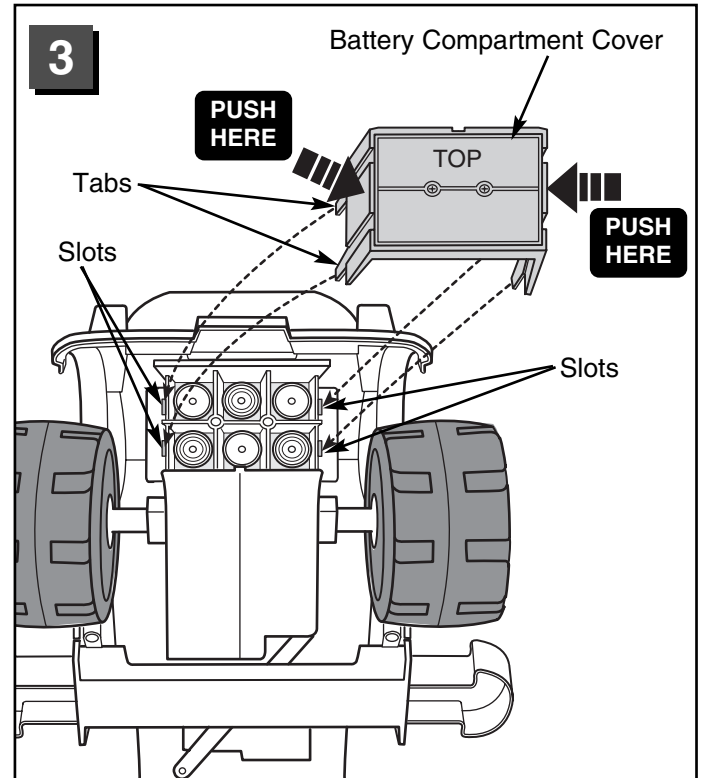
This vehicle requires six "D" (LR20) **alkaline** batteries (not included) for motorized use.



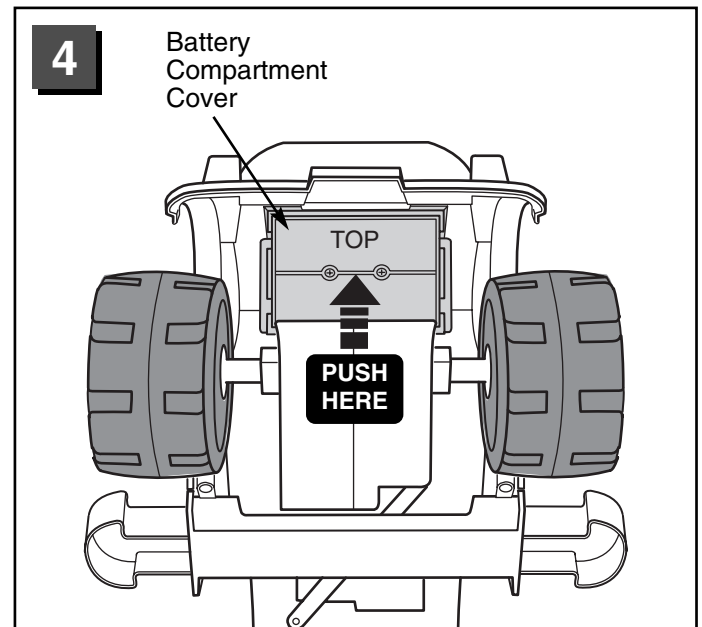
- Stand the vehicle body up on its back end.
- Loosen the screws in the battery compartment door with a Phillips screwdriver. The screws will remain in the door.
- Push in on the sides of the battery compartment cover near the bottom and lift to remove the cover.



- Insert six "D" (LR20) **alkaline** batteries as indicated in the battery compartment.



- Fit the battery compartment cover over the batteries. Make sure that the TOP of the cover is at the top and that the four tabs on the sides of the cover are aligned with the slots in the base of the motor assembly.



- Apply light pressure to the battery compartment cover and tighten the screws with a Phillips screwdriver. Do not over-tighten.

## Battery Installation

### Battery Tips

- Be sure to insert the batteries correctly and always follow the toy and battery manufacturer's instructions.
- Do not mix old and new batteries.
- Do not mix different types of batteries: alkaline, standard (carbon-zinc) or rechargeable (nickel-cadmium).
- Remove the batteries during long periods of non-use. Always remove exhausted batteries from the product. Battery leakage and corrosion can cause damage. Dispose of batteries properly.
- Do not dispose of batteries in a fire. The batteries may explode or leak.
- Never short circuit the battery terminals.
- Non-rechargeable batteries are not to be recharged.
- Only batteries of the same or equivalent type as recommended in the "Battery Installation" instructions are to be used.
- If removable rechargeable batteries are used, they are only to be charged under adult supervision.
- Rechargeable batteries are to be removed from the product before they are charged.
- If you use a battery charger, it should be examined regularly for damage to the cord, plug, enclosure and other parts. Do not use a damaged battery charger until it has been properly repaired.
- If this vehicle drives sluggishly or will not drive at all, it's time to replace the batteries.

## H

## Rules For Safe Driving



### WARNING

#### Prevent Injuries and Deaths

- Direct Adult Supervision Required.
- Keep Children Within Safe Riding Areas  
These areas must be:
  - away from swimming pools and other bodies of water to prevent drownings.
  - generally level to prevent tipovers.
  - away from steps, driveways, cars, roads and alleys.
- Not to be used by children over 36 months or 40 lbs. (18 kg). The product may become overloaded.

#### Teach Safety Rules to Children

While children can quickly develop the skill necessary to drive this vehicle, it is important to remember that their judgment skills are still very immature. Unsupervised driving by children can lead to serious injury. Before children use this vehicle, an adult should carefully evaluate the driving area as well as the children's skill level and ability to drive this vehicle safely. Children are not always able to recognize or anticipate hazards, even when they have been taught about them.

**THERE IS NO ACCEPTABLE SUBSTITUTE FOR DIRECT ADULT SUPERVISION.**

Teach appropriate safety rules to your child before allowing operation of this vehicle. These rules should also be reviewed with neighborhood children or other playmates who want to drive this vehicle.

#### Riding Rules

Make sure children know and follow these rules for safe driving:

1. Always sit on the seat.
2. Always wear shoes.
3. Only 1 (one) rider at a time. A child who is not sitting on the seat or who is standing on the vehicle could fall off, cause a tip-over or block the driver's view. A child could be seriously injured.
4. Do not allow any child to drive the vehicle in the street or near moving (motorized) vehicles.
5. Do not allow any child to drive near bodies of water (such as pools or creeks), obstructions (such as furniture, low tree limbs or play equipment), or drop-offs (such as stairs or decks).

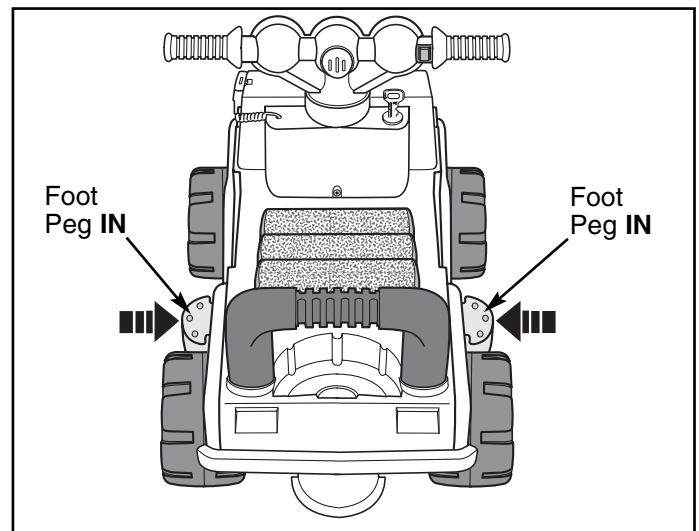
## Rules For Safe Driving

6. Do not allow any child to drive the vehicle in the dark. A child could encounter unexpected obstacles and have an accident. Operate the vehicle only in the daytime or a well-lit area.
7. Do not allow your child to drive on sloped or inclined surfaces. Restrict your child's driving to generally level ground ONLY!
8. Do not allow your child to drive down or across a steep slope.
  - The vehicle may gain unsafe speed, even if the pedal is released to stop.
  - The vehicle may tilt and tip over.
  - The wheels could lose traction, causing the vehicle to slip.
9. Do not allow your child to drive up steep inclines. The motor may stop and the vehicle could roll backwards at an unsafe speed.
10. Never put anything near any moving parts. Rotating parts such as motors, gear boxes and wheels can snag fingers, hair, etc., causing serious injury. Do not allow operation of the vehicle when it is on its side or in an upside-down position.
11. Do not operate the vehicle near flammable vapors (gasoline, paint thinner, acetone, liquid wax, etc.). The vehicle's electrical switches, like most electrical switches, emit an internal spark when first turned on or turned off. The presence of flammable liquids or vapors could cause an explosion or a fire. Keep all flammable products in tightly sealed containers and away from the vehicle.
12. Do not allow a child to operate the vehicle without direct adult supervision. To prevent unsupervised use of the vehicle, disconnect the motor harness from the battery when the vehicle is not in use.

## How to Operate Your Vehicle

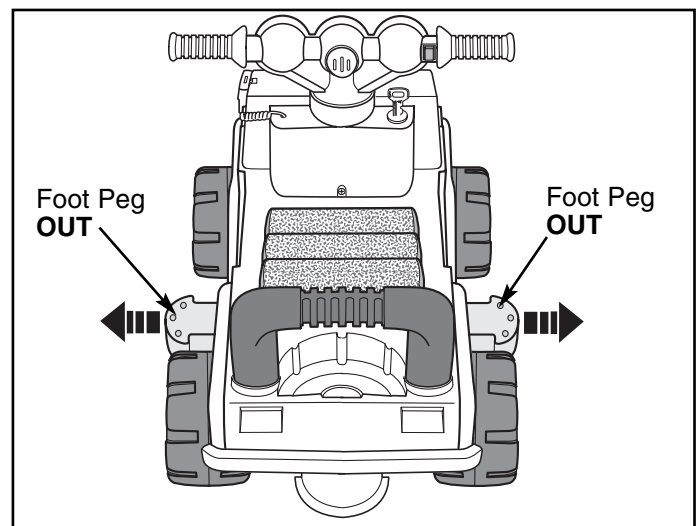
This vehicle has been designed for use as a foot powered ride-on for younger children and for use as a battery powered, motorized vehicle when your child is ready to roll.

### Foot Power



- For use as a foot powered ride-on, make sure the foot pegs are pushed into the foot peg support.

### Motorized



- For use as a battery powered motorized vehicle, pull the foot pegs out to extend them to the platform position.
- Make sure your child's feet are resting on the foot pegs and press the handlebar button. The vehicle will move forward at a maximum of 1 mph.

# J

## FCC Statement (United States Only)

This equipment has been tested and found to comply with the limits for a Class B digital device, pursuant to part 15 of the FCC rules. These limits are designed to provide reasonable protection against harmful interference in a residential installation. This equipment generates, uses and can radiate radio frequency energy and, if not installed and used in accordance with the instructions, may cause harmful interference to radio communications. However, there is no guarantee that interference will not occur in a particular installation. If this equipment does cause harmful interference to radio or television reception, which can be determined by turning the equipment off and on, the user is encouraged to try to correct the interference by one or more of the following measures:

Reorient or relocate the receiving antenna.

Increase the separation between the equipment and receiver.

Connect the equipment into an outlet on a circuit different from that to which the receiver is connected.

Consult the dealer or an experienced radio/TV technician for help.

**CAUTION:** Changes or modifications not expressly approved by the manufacturer responsible for compliance could void the user's authority to operate the equipment.

# K

## Caring for Your Vehicle

- Check all screws, cap nuts and protective coverings regularly and tighten as required. Check plastic parts on a regular basis for cracks or broken pieces.
- During snowy or rainy weather, the vehicle should be stored inside or under a protective cover.
- Avoid operating the vehicle in wet or snowy conditions and do not spray the vehicle with a hose. Do not wash the vehicle with soap and water. Water or moisture in the motor can cause it to corrode and could cause motor failure.
- Avoid operating the vehicle on sand, loose dirt or gravel. Sand, loose dirt or gravel in the motor can cause it to jam and could cause motor failure.
- The vehicle can be wiped down with a soft, dry cloth. For a shiny finish, you can wipe plastic parts with a non-wax furniture polish applied to a soft-cloth. Do not use automotive wax. Do not use soap and water or spray the vehicle with a hose.

# L

## Bumper-to-Bumper\* Limited Warranty

**\*One year limited warranty from the date of purchase on the Power Wheels® vehicle.**

For the original purchaser, this one year limited warranty covers the Power Wheels® ride-on vehicle (purchased from Power Wheels®) against defects in materials and workmanship.

This warranty covers normal use and does not cover the Power Wheels® vehicle if damaged by unreasonable use, neglect, accident, abuse, misuse, improper service or other causes not arising out of defects in materials or workmanship. Evidence of any attempt at consumer repair will void this warranty. This warranty does not cover, and is intended to exclude, any liability on the part of Power Wheels®, whether under this warranty or implied by law or any indirect or consequential damages for breach of warranty. Some states do not allow the exclusion or limitation so this limitation may not apply to you.

Should you need service or assistance with your vehicle during the warranty period, **do not return the vehicle to the store.** Power Wheels® has provided a nationwide network of authorized service centers. Please refer to the list in this manual. Power Wheels® is continually expanding our Authorized Service Center Network. If there is not an authorized service center in your area, please call Consumer Relations for information, **1-800-348-0751**.

THIS WARRANTY GIVES YOU SPECIFIC LEGAL RIGHTS, AND YOU MAY ALSO HAVE OTHER RIGHTS WHICH MAY VARY FROM STATE TO STATE.

**PLEASE SAVE YOUR ORIGINAL SALES RECEIPT.**



We are continually expanding our Authorized Service Center Network. Please check this listing for the Authorized Service Center nearest you. If there is not one in your area, please call Power Wheels® Consumer Relations at 1-800-348-0751.

**ALABAMA**

**BIRMINGHAM** - Frigid Service & Sales, 701 Graymont Ave. North, 35203, (205) 323-5831  
**BIRMINGHAM** - Frigid Service & Sales, 1861 Centerpoint Rd., 35215, (205) 853-3952  
**BIRMINGHAM (HOMEWOOD)** - Frigid Appliance Center, 154 West Valley Ave., 35209, (205) 942-3959  
**DECATUR** - Peddler II, 1000 B Beltline Road, 35603, (205) 350-1044  
**DOTHAN** - Bill's Appliance Service, 208 Bic Road, P.O. Box 1192, 36303, (334) 792-7746  
**DOUGLAS** - Brown Hardware, Highway 75, 35964, (205) 593-6086  
**HUNTSVILLE** - C & G Appliance, 307 Jordan Lane, 35805, (205) 837-4551  
**MOBILE** - Foster's Appliance Repair, 2610 Halls Mill Road, 36606, (251) 479-3567  
**NORTHPORT** - Appliance Connection, 2703 McFarland Blvd, 35476, (205) 339-2774  
**TROY** - Specialty Batteries, 1317 S. Brundidge St., P.O. Box 1045, 36081, (334) 670-6800, (800) 477-8230

**ALASKA**

**ANCHORAGE** - Ken's Electronics Service, 360 E. International, Ste. 5, 99518, (907) 562-3443  
**FAIRBANKS** - Appliance Service Co. Inc., 700 23rd Ave., 99701, (907) 452-1000

**ARIZONA**

**GLENDALE** - Elliott Electric Appliance Service, 6242 N. 43rd Avenue, 85301, (623) 937-2613  
**SCOTTSDALE** - Elliott Electric, 7515 E. McDowell Road, 85257, (480) 946-7487

**ARKANSAS**

**FT. SMITH** - Bromley Appliance Service, 614 North 10th Street, 72901, (501) 782-9646  
**GLENWOOD** - Gardening Plus, 110 North 2nd Street, 71943, (870) 356-2233  
**JONESBORO** - Best Sewing & Vacuum & Repair, 235 S. Caraway Road, 72401, (501) 935-4739, (800) 844-4739  
**LITTLE ROCK** - C & W Tool Repair, 1303 W. Markham, 72201, (501) 374-1911  
**ROGERS** - Kressel's Vacuum & Repair, 115 North 5th Street, 72756, (501) 636-7894  
**STUTTGART** - Davis Lumber Company, 301 East Michigan, 72160, (501) 673-3601

**CALIFORNIA**

**ANDERSON** - Hardware Express/Do It Best, 2681 Balls Ferry Road, 96007, (916) 365-3783  
**BAKERSFIELD** - Southwest TV, 6300 White Lane, Suite B, 93309, (805) 397-4940  
**CONCORD** - California Electric Service Center, 1170-G Burnett Avenue, 94520, (510) 827-1011  
**COVINA** - California Electric Service Center, 612 Shoppers Lane, 91723, (818) 915-4935  
**FORT JONES** - Ft. Jones Frontier Hardware, 11911 Main Street, 96032, (916) 468-2266  
**FRESNO** - Valley Small Appliance, 4005 E. Ashlan Avenue, 93726, (209) 224-5530  
**FULLERTON** - California Electric Service Center, 1208 E. Ash Avenue, 92631-5020, (714) 870-0900  
**LAKE FOREST** - California Electric Service, 22500 Muirlands Suite B, 92630, (949) 586-9440  
**LOS ALAMITOS** - California Electric Service Center, 11284 Los Alamitos Blvd., 90720, (562) 430-2668  
**OAKLAND** - California Electric Service Center, 1139 E. 12th Street, 94606, (510) 834-1050  
**PASADENA** - California Electric Service Center, 2594 E. Colorado Blvd., 91107, (818) 792-3194  
**SACRAMENTO** - California Electric Service Center, 1821 "Q" Street, 95814, (916) 443-5711  
**SALINAS** - SRS Hobbies, 407 Front Street, 93901, (831) 424-4044  
**SAN DIEGO** - California Electric Service Center, 3430 El Cajon Blvd., 92104, (619) 283-6488

**SAN JOSE** - California Electric Service Center, 481 So. Bascom, 95126, (408) 295-1723  
**SANTA ROSA** - Hardisty's Inc., 710 Farmers Lane, 95405, (707) 545-0535  
**SKY FOREST** - Sky Forest Electrical, 28670 Highway 18 P.O. Box 496, 92385, (909) 337-0811  
**VAN NUYS** - California Electric Service Center, 14753 Oxnard Blvd., 91411, (818) 997-8855  
**VENTURA** - Appliance Advantage, 4547 Telephone Rd., Suite A, 93003, (805) 650-0716, (800) 960-2125  
**YUCAIPA** - Aire-Rite Heating & A/C, 34724 Yucaipa Blvd., 92399, (909) 797-2788

**COLORADO**

**COLORADO SPRINGS** - Nelson Appliance Repair, Inc., 1220 E. Fillmore, 80907, (719) 635-1928, (800) 291-8010  
**DENVER** - Appliance Service, 4272 Lowell Blvd., 80211, (303) 458-1109, (800) 631-0941 (CO, WY only)  
**GRAND JUNCTION** - V & L Appliance Service, 591 25 Road Suite A6, 81506, (970) 243-3360  
**PUEBLO** - Direct Maytag Home Appliance, 1407 Santa Fe Drive, 81006, (719) 543-0777

**CONNECTICUT**

**HARTFORD** - Hartford Element & Appliance Service, 1500 Albany Ave., 06112, (860) 246-7424, (800) 787-7977  
**NEW HAVEN (HAMDEN)** - New Haven Appliance Service Center, 1627 Dixwell Ave., 06514, (203) 288-6229  
**SHELTON** - Jeff's Appliance & Vacuums, 66 Center Street, 06484, (203) 924-8997  
**STAMFORD** - Appliance Servicenter of Stamford, 15 Cedar Heights Road, 06905, (203) 322-7656  
**WATERBURY** - P. J. Appliance Repair, 935 South Main Street, 06706, (203) 757-1014

**DELAWARE**

**WILMINGTON** - Lyons Hardware, Inc., 2021 Kirkwood Highway, 19805, (302) 995-1260  
**SHELBYVILLE** - Ahern & Sons Inc., #2 S. Dupont Hwy., RT #2, 19975, (302) 436-4100

**FLORIDA**

**ATLANTIC BEACH** - First Coast Repair, 25 Seminole Road, 32233, (904) 246-4616  
**BOYNTON BEACH** - Palm Beach Vacuum, Inc., 1865 W. Woolbright Road, 33425, (561) 243-9999  
**CALLAHAN** - Arc Electronic Repair, 951 Blackhills Dr., Suite D, 32011, (904) 879-3556  
**CAPE CORAL** - Family Hardware/Do-It Express, 622 SE 47th Terrace, 33904, (941) 542-6365  
**DELRAY** - Mister Fix It, 209 S.E. 2nd Avenue, 33483, (561) 243-9999  
**GAINESVILLE** - Authorized Appliance Service Co., 2614 S.W. 34th Street, 32608, (352) 375-3886  
**JACKSONVILLE** - Authorized Appliance Service Co., 6120-5 Powers Avenue, 32217, (904) 737-5312  
**LAKECITY** - S&S Mowers Inc., RT. 10, Box 35916, 32025, (904) 755-2957  
**LAKELAND** - Electric Shaver & Small Appliance, 4243 S. Florida Avenue, 33813, (863) 644-4690  
**MIAMI** - Goodman's Sales & Service, 13130 SW 128 Street #3, 33186, (305) 278-8822  
**NORTH PALM BEACH** - Appliance Doctors, 450 Northlake Blvd., 33408, (407) 845-0377  
**OCALA** - Vacuums Center and Gifts, 422 South Pine Street, #103, 34474, (352) 732-6335  
**ORLANDO** - Pine Hills Appliance Svc. Co., 6100-4 W. Colonial Drive, 32808, (407) 299-1271  
**ORLANDO** - Southern Electric Co., 510 N. Parramore Avenue, 32801, (407) 841-8824, (800) 940-8824  
**PANAMA CITY** - Callaway Vacuum & Sewing, 221 N. Tyndall Prkwy., 32404, (904) 763-6333  
**PENSACOLA** - Foster's Appliance Repair, 3836 N. Davis Highway, 32503, (904) 432-8853  
**POMPANO BEACH** - Authorized Appliance, 2171 N. Dixie Highway, 33060, (954) 941-2038

**PORT ST. LUCIE** - Appliance Doctors, 10632 South Federal Hwy, 34952, (561) 878-7869

**SARASOTA** - Sunray Small Appliances, 8371 N. Tamiami, 34243, (941) 358-9999, (800) 895-5655

**SEBRING** - Ace Hardware Of Sebring, 305 U.S. 27 North, 33870, (863) 385-2735

**SPRING HILL** - Ace Hardware #5304F, 5350 Spring Hill Dr., 34606, (352) 686-4743

**SPRING HILL** - National Floor Care, 5588 Commercial Way, 34606, (352) 686-6711, (800) 245-1946

**ST. PETERSBURG** - Keystone Electric, 4604 Central Avenue, 33711, (813) 321-1124

**STUART** - Appliance Doctors, 3166 S.E. Dixie Highway, 34997, (561) 287-6437

**SUNRISE** - Muller Appliance Service, 2116 North University Drive, 33322, (954) 749-5460

**TALLAHASSEE** - Dougs Vacuum Center, 604 N. Bronough Street, 32301, (850) 222-1423

**TAMPA** - Buck's TV and VCR Repair, 6729 N. Armenia Avenue, 33604, (813) 933-8417

**VERO BEACH** - Hoppe's Authorized Vacuum and Appliance, 1872 Commerce Ave., 32960, (561) 562-4466

**WEST PALM BEACH** - Satisfaction TV Video, 1980 South Congress Ave., 33406, (561) 439-3733, (800) 477-3734

**WILLISTON** - Future Electronics, 10 SW 7th Street, 32696, (352) 528-5599, (800) 416-1114

**GEORGIA**

**AUGUSTA** - A & A Appliance Parts & Service, 1708 Walton Way, 30904, (706) 733-5163

**BRUNSWICK** - Arco Hardware & Supply, 3711 Community Road, 31520, (912) 267-0771

**COLUMBUS** - Burrell's National Appliance Service, 1728 Warm Springs Road, 31904, (706) 327-0523

**NORCROSS** - Appliance Connection, 5172-C Brook Hollow Parkway, 30071, (770) 734-9888, (800) 964-7455

**GAINESVILLE** - Bike Town USA, 1604 Dawsonville Highway, 30501, (770) 532-7090

**SAVANNAH** - Hagins Appliance Service, 3 West Victory Drive, 31405, (912) 233-8372

**THOMASVILLE** - Carroll Hill Auto, 115 Albany Road, 31799, (229) 266-0717

**VALDOSTA** - Harry B. Anderson, Inc., 204 E. Central Avenue, 31601, (912) 242-5945

**WOODSTOCK** - All City Appliance Inc., 8477 Highway 92 Suite 110, 30189, (770) 924-2375

**HAWAII**

**HONOLULU** - McCully Bicycle & Sporting Goods, 932 Hausten Street, 96826, (808) 946-1192

**WAILUKU (MAUI)** - Tom's Appliance Sales & Service, 1816 Mill Street, Suite 104, 96793, (808) 244-6278

**WAIPAHU** - Gary's Bike World, 94-910 Moloalo Street, 96797, (808) 375-4262

**IDAHO**

**BOISE** - Boise Appliance, 1503 Main Street, 83702, (208) 343-0102

**IDAHO FALLS** - Rossiter Electric, 1501 South Capital Avenue, 83402, (208) 529-3665

**ILLINOIS**

**CHICAGO (BERWYN)** - Brand Service Center, 6739 West Cermak, 60402, (708) 749-4315

**CHICAGO (DOWNER'S GROVE)** - Authorized Appliance Service Co., 1644 W. Ogden Avenue, 60515, (630) 852-1550

**CHICAGO (MORTON GROVE)** - Brand Service Center, Inc., 5618 Dempster Street, 60053, (847) 965-5900

**DECATUR** - Rexx Battery of Decatur, Inc., 1330 East Eldorado, 62521, (217) 422-0281

**EAST DUNDEE** - R & R Small Engine Repair, 305 Johnston Street, 60118, (874) 428-0023

**FAIRVIEW HEIGHTS** - Rapid Rentals, 720 Lincoln Highway, 62087, (618) 632-0630

# Authorized Service Centers

**GRANITE** - Midwest Golf Car & Equipment Co., 904 Thorngate Road, 62040, (618) 797-2278  
**HAMILTON** - Discount Battery Sales, #80 S 2nd Rte. 136, 62341, (217) 847-3242  
**JACKSONVILLE** - Rexx Battery Specialists, 847 South Main Street, 62650, (217) 245-2713  
**LINCOLN** - Rexx Battery Specialists, 504 Keokuk, 62656, (217) 732-2885  
**MT. VERNON** - Battery Specialists, 1018 South 10th Street, 62864, (618) 244-0091  
**NASHVILLE** - Kesel Hardware, 173 West St. Louis, 62263, (618) 327-8957  
**NILES** - Household Appliance Sales & Serv., 7411 N. Milwaukee Ave., 60714, (847) 647-8250  
**SPRINGFIELD** - Bannon Electronics, 1224 N. Franklin, 62702, (217) 523-0313  
**TAYLORVILLE** - Battery Specialists + Golf Cars, 800 Springfield Road, 62568, (217) 824-3943

## INDIANA

**EVANSVILLE** - Electro Hygiene Co., 1614 S Kentucky, 47714, (812) 425-2671  
**FT. WAYNE** - Southside Vacuum Co. Inc., 3702 South Calhoun Street, 46807, (219) 745-7788, (888) 209-8113  
**INDIANAPOLIS** - Brand Service Center, 1827 N. Meridian Street, 46202, (317) 924-1386  
**INDIANAPOLIS** - Sullivan Hardware Do-It Center, 7021 N. Keystone, 46220, (317) 255-9230  
**NEW ALBANY** - Wells Hardware, Inc., 1011 Vincennes Street, 47150, (812) 944-4523  
**SOUTH BEND (OSCEOLA)** - AAA Appliance Service Co., 11868 Lincoln Way West, 46561, (219) 679-4981  
**TERRE HAUTE** - Corey Electronics, 1101 S. 8th Street, 47802, (812) 232-8786, (888) 232-8786

## IOWA

**BETTENDORF** - K & K True Value Hardware, 1818 Grant Street, 52722, (319) 359-4473  
**CEDAR RAPIDS** - Stalker Electric, Inc., 110 3rd Ave. SW, 52404, (319) 364-5646  
**COUNCIL BLUFFS** - Millard Television Inc., 1840 Madison Avenue, 51501, (712) 322-9552  
**DES MOINES** - Quality Appliance Repair Center, 1417 Walnut Street, 50309, (515) 288-0108  
**DUBUQUE** - Shaver's Plus, 450 Central Avenue, 52001, (319) 556-4442  
**FT DODGE** - Messerly Electronics, 614 1st Avenue South, 50501, (515) 576-4480  
**GRINNELL** - Bikes To You Inc., 921 Broad Street, 50112, (515) 236-8600  
**MARSHALLTOWN** - Blink Electric Motors, Inc., Rear 116 N 1st Avenue, 50158, (641) 752-3036  
**NORTH LIBERTY** - Ace Electric, Inc., 165 Hwy 965 NE, 52317, (319) 626-3007, (800) 326-3007  
**SIoux CITY** - Millard Television Inc., 1419 Hamilton Blvd., 51103, (712) 258-3435

## KANSAS

**CHANUTE** - Zimmerman Electric Service, 1202 West Beech, P.O. Box 533, 67720, (620) 431-2260, (800) 362-0909  
**COLBY** - Gavon's Electronics, 1870 South Range, 67701, (913) 462-6601  
**JUNCTION CITY** - R/C Hobbies, 115 W. 7th Street, 66441, (913) 238-1877  
**KANSAS CITY (OVERLAND PARK)** - Mar-Beck Appliance Service Co., 8471 West 95th Street, 66212, (913) 642-1557  
**SPEARVILLE** - Quality Parts, P.O. Box 126, 406 North Main, 67876, (316) 385-2624  
**WICHITA** - Alan Appliance Service, Inc., 1300 E. Central, 67214, (316) 262-7228, (800) 290-7228

## KENTUCKY

**GREENVILLE** - Malone Lumber Do-It Center, 204 W. Depot Street, 42345, (270) 338-3252  
**LEXINGTON** - AutoHobby Model Raceway, 1474 Anniston Drive, 40505, (859) 299-4925  
**LOUISVILLE** - Maury's Fluorescent & Appliance Service, 1521 Bardstown Road, 40205, (502) 456-1671  
**OWENSBORO** - Kuester's Hardware, 1210 Carter Road, 42301, (270) 685-4916  
**PADUCAH** - Hank Brothers True Value, 3101 Lone Oak Rd., 42003, (270) 554-4001

## LOUISIANA

**BAKER** - Gayle Battery Distributors, 16555 Plank Road, 70714, (225) 774-7475  
**BATON ROUGE** - Home Appliance Service, Inc., 10781 Florida Blvd., 70815, (504) 272-7727  
**HAMMOND** - Battery Depot, 2323 Hwy 190 East Suite #4, 70401, (504) 542-4983  
**LAFAYETTE** - Cullen's Playland, 4498 Johnston Street, 70503, (337) 981-2929  
**LAKE CHARLES** - Capitol Schwinn Cyclery, 722 E. Prien Lake Road, 70605, (337) 474-9090  
**NEW IBERIA** - Voorhies Supply Company, 401 W. St. Peter Street, 70560, (337) 364-2431  
**NEW ORLEANS (METAIRIE)** - Le Jouet, Inc., 1700 Airline Hwy., 70001, (504) 837-0533  
**SHREVEPORT** - Shreveport Shaver and Appliance, 9750 St. Vincent, Burt Kouns Ind. Loop, 71106, (318) 865-5088, (800) 349-7722

## MAINE

**GREENE** - MAC (Maine Accessibility Corp), 87-89 Hillside Avenue, 04401, (207) 947-2357  
**GREENE** - Brule's Auto Clinic & Sales, 968 Sawyer Road, 04236, (207) 375-4872  
**PERU** - Mountain Valley Sports, 58 Ridge Road, 04290, (207) 562-7164  
**PORTLAND** - Colonial Electronics, Inc., 259 St. John Street, 04102, (207) 774-6666

## MARYLAND

**ABERDEEN** - Burkheimer Garden Equipment, 651 Gilbert Road, 21001, (410) 734-4577  
**BALTIMORE** - Colgate Hardware, 6711 Holabird Ave., 21222, (410) 633-6363  
**BERLIN** - Myers Auto-Power Tool Rental Co., Inc., 10714 Ocean Gateway, 21811, (410) 641-3497  
**GAITHERSBURG** - Waters Appliance Service, 216 E. Diamond Avenue, 20877, (301) 258-7500, (800) 225-5009  
**GLEN BURNIE** - Taylor Rental, 7389 Baltimore Annapolis Blvd., 21061, (410) 768-1933, (800) 836-8464  
**LOVEVILLE** - Hancock Refrigeration Co Inc., 28650 Point Lookout Rd, 20656, (301) 475-8298

## MASSACHUSETTS

**BOSTON (MEDFIELD)** - Wills Hardware, 5 Janes Avenue, 02052, (508) 359-4381  
**LOWELL** - Lowell Appliance Service Center, Inc., 564 Dutton Street, 01854, (508) 454-8731  
**MAYNARD** - Gramp's Garage, 16 Main Street, 01754, (508) 461-0463  
**NEEDHAM** - Suburban Appliance Service Center, 34 Wexford Street, 02492, (781) 449-8787  
**QUINCY** - Appliance Service and Parts, Inc., 582 Washington Street, Rt. 3A, 02169, (617) 773-6656  
**SALEM** - Fix Master, Inc., 190 North Street, 01970, (508) 745-0004  
**SPRINGFIELD** - Utility Electric Service, Inc., 810 Main Street, 01101, (413) 781-1635

## MICHIGAN

**ALMA** - JTS Electronics, LLC, 306 East Center Street, 48801, (517) 463-5871  
**ALMONT** - Almont Do It Center #5336, 4545 Vandyke, 48003, (810) 798-8922  
**BAY CITY** - Bay Vac & Pedal, 805 Columbus Ave., 48708, (517) 892-7516  
**BRIGHTON** - Complete Battery Source, 8023 W. Grand River, 48116, (810) 220-1050  
**DEARBORN** - McNichols Electric Service, 1836 Grindley Park, 48124, (313) 563-7550  
**DETROIT** - McNichols Electric Service, 13725 W. McNichols, 48235, (313) 342-6070, (800) 562-4226  
**DETROIT (ROYAL OAK)** - McNichols Electric Service, 4115 West 13 Mile Road, 48072, (810) 288-5135  
**FLINT (DAVISON)** - Gill-Roy's Hardware, 8405 E Davison, 48423, (810) 653-2288  
**FLINT (SWARTZ CREEK)** - Gill-Roy's Hardware, 9061 Miller Road, 48473, (810) 635-2020  
**GAYLORD** - Alpine Electronics, 604 West Main, 49735, (517) 732-5004, (800) 244-6633  
**GRAND RAPIDS** - Superior Appliance Service Co., 1050 Scribner Avenue, NW, 49504, (616) 459-3271

**JACKSON** - Hammond Hardware, 1800 Francis St., P.O. Box 7, 49204, (517) 782-0704

**LANSING** - Rapid Appliance Service, 1606 E. Michigan Avenue, 48912, (517) 485-1320  
**MARLETTE** - Thumb Appliance and Retail Center, 3441 Main Street, 49684, (989) 635-7848

**MIDLAND** - Gill-Roy's Complete Hardware, 3128 Jefferson Ave., 48640, (517) 832-2774

**PAW PAW** - Electronic Care Inc., 238 E. Michigan Avenue, 49079, (616) 657-2129

**PRUDENVILLE** - Ford's Do-It Center, 841 W. Houghton Lake Drive, 48651, (517) 366-7622

**ROYAL OAK** - McNichols Electric Service, 4115 Thirteen Mile Road, 48072, (248) 288-5135

**TRAVERSE CITY** - Gil-Roy's Hardware, 2701 Zimmerman Road, 49684, (231) 929-8160

## MINNESOTA

**BLAINE** - Barness #1, 8701 Central Ave. NE, 55434, (763) 780-7229

**BRainerd** - Git A'Round, 4299 Hwy. 371 North, 56401, (218) 828-8088

**DULUTH** - All Brand Mr. Fixit, 16 West First Street, 55802, (218)-722-1499

**ST. PAUL** - Barness, 1573 University Avenue, 55104, (612) 646-3109

## MISSISSIPPI

**HATTIESBURG** - Champion Cycle & Fitness, 2625 Lincoln Road, 39402, (601) 310-0270

**IUKA** - W. H. Fairless Hardware Co., Inc., 117 Fulton Street, 38852, (662) 423-9256, (800) 797-9457

**JACKSON (RIDGELAND)** - Propeller Service, 291 Hwy. 51, Suite D6, 39157, (601) 856-3191

**MERIDIAN** - Broadmoor Home Center, 2420 Old North Hills Street, P.O. Box 3280, 39305, (601) 483-7373

**SALTILLO** - Polaris Outdoor World, 3463 Tom Watson Drive, 38866, (662) 680-4733

**STARKVILLE** - East Mississippi Lumber Co., 300 Russell Street, 39759, (662) 323-3554

## MISSOURI

**GLADSTONE** - Mar-Beck Appliance Service Co., 6559 North Oak Traffic Way, 64118, (816) 436-9191

**INDEPENDENCE** - Mar-Beck Appliance Service Co., 4476 South Noland Road, 64055, (816) 478-1889

**KANSAS CITY** - Mar-Beck Appliance Service Co., 303 W. 79th Street, 64114, (816) 523-6931

**POPLAR BLUFF** - Mills Iron & Supply, 1919 S. Westwood Blvd., 63901, (573) 785-2628

**ST. LOUIS** - Authorized Appliance, Inc., 2355 Hampton Avenue, 63139, (314) 647-4250

## MONTANA

**BILLINGS** - Radio Equipment Company, 1120 16th Street West, 59104, (406) 256-9778, (800) 711-4024

## NEBRASKA

**GRAND ISLAND** - Mundt's Small Appliance & Vacuum Repair, 1822 W. Northfront Street, 68803, (308) 382-5084

**LINCOLN** - CB Small Appliance, 432 South 11th Street, 68508, (402) 475-2546

**LINCOLN** - Sperry TV, 1115 North 47th St., 68503, (402) 464-9181

**NORTH PLATTE** - Sperry TV, 1855 West A Street, Westfield Shopping Center, 69010, (308) 532-5200

**OMAHA** - Myers Electric Co., 7342 Farnam, 68114, (402) 393-8388, (800) 234-1414

## NEVADA

**LAS VEGAS** - Burney's Commercial Service, Inc., 4480 Aldebaran Avenue, 89103, (702) 736-0006

**MINDEN** - Valley Home & Sport Center, 1587 Highway 395, 89423, (775) 782-5111

## NEW HAMPSHIRE

**MARLBOROUGH** - Electronics Aid Inc., 32 Roxbury Road P.O. Box 325, 03455, (603) 876-4161

## NEW JERSEY

**DENVILLE** - Ranff's Denville Vacuum & Appliance, 12 Broadway, 07834, (973) 627-1156

**HAWTHORNE** - Ter Kuile, Inc., 206 Diamond Bridge Avenue, 07506, (201) 423-1142

**HIGHLAND PARK** - Dash Electronics, 10 North Second Ave, 08904, (732) 247-2495

**HOWELL** - South Jersey TV Service, Inc., 4232 Rt. 9 South, 07731, (908) 363-5550, (800) 244-3094

# Authorized Service Centers

**SOUTHAMPTON** - Southampton Auto Center, 1831 Rt. 206, 08088, (609) 859-3987, (609) 859-3341  
**SICKLERVILLE** - Sickler Hardware, 540 Williamstown Road, 08081, (856) 728-3800  
**TOMS RIVER** - South Jersey TV Service, Inc., Stella Towne Center, 1258 Rt. 166, 08753, (908) 505-1771  
**TRENTON** - Tattersall, Inc., 309 N. Willow Street, 08618, (609) 393-4293

## NEW MEXICO

**ALBUQUERQUE** - Appliance Service Center, 3219 Candelaria, NE, 87107, (505) 265-7774  
**CLOVIS** - Burns Hardware, 1511 N. Prince, 88101, (505) 769-2528

## NEW YORK

**ALBANY** - Lake Electronic Service, 1650 Central Avenue, 12205, (518) 869-8424, (800) 585-3777  
**BAYSHORE, L.I.** - Turnpike Appliance of Suffolk, Inc., 1253 Sunrise Highway, 11706, (631) 665-8311  
**BINGHAMTON** - Hardware Fare DO-IT Center, 1139 Front Street, Nimmonsburg Square, 13905, (607) 722-9202  
**BRONX** - Home Appliance Vacuum Word, 5902 Riverdale Avenue, 10471, (718) 884-4600  
**BUFFALO (WILLIAMSVILLE)** - Hector's Hardware, 876 Maple Road, 14221, (716) 688-4488  
**BUFFALO (HAMBURG)** - K-Technologies, 5424 Abel Road, 14075, (716) 649-5460  
**COMMACK, L.I.** - Turnpike Appliance Service, 6181 Jericho Turnpike, 11725, (631) 499-3355  
**EAST AURORA** - Sem-Fab of Western New York, 455 Olean Road, 14052, (716) 655-5228  
**ELMIRA** - Capabilities, Inc., 1149 Sullivan Street, 14901, (607) 734-2006  
**HOWARD BEACH** - Crossbay Appliance Service, 158-34 Crossbay Blvd, 11414, (718) 843-4422  
**HUDSON** - Sweeps Vacuum & Repair Center, Inc., 705 Warren Street, 12534, (518) 828-5457  
**MONTICELLO** - Wayne's Small Engine, 66 St. John Street, 12701, (845) 796-1851  
**OCEANSIDE** - Turnpike Appliance Service, 3495A Lawson Boulevard, 11572, (516) 486-5700  
**POUGHKEEPSIE** - S & S Appliance Sales & Service, 390 Violet Avenue, 12601, (845) 452-6122  
**RICHMOND HILL** - Lockdoctor Locksmiths, 104-37 Atlantic Ave., 11418 (718) 441-6242  
**ROCHESTER** - Benfante Appliance Service, 1286 Mt. Hope Avenue, 14620, (716) 473-8765  
**SYRACUSE** - County Wide Appliance, 1001 N. State Street, 13208, (315) 479-5253, (877) 479-5253  
**TUCKAHOE** - Authorized Appliance of Westchester, 26 Columbus Ave., 10707, (914) 961-8011  
**WARWICK** - Wadson Home Center, 60 Forester Ave., 10990, (845) 987-2215, (800) 982-2215 (NY only)  
**YORKVILLE** - Yorkville Battery Inc., 126 Whitesboro Street, 13495, (315) 736-2307

## NORTH CAROLINA

**ANDREWS** - Smoky Mountain Hobbies, 200 Stewart Road, 28901, (828) 321-9836  
**ASHEVILLE** - Skyland Hardware, 3179 Sweeten Creek Road, 28803, (704) 684-0308  
**CHARLOTTE** - Authorized Appliance Servicenter, 1020 Tuckaseegee Road, 28208, (704) 377-4501, (800) 532-6127  
**CLINTON** - Danny's Service Center, 119 Vance Street, 28328, (910) 592-3200  
**ELIZABETH CITY** - Coastal Office Equipment Co., 501 East Church Street, 27909, (919) 335-2927  
**GREENSBORO** - Little Creek Electronics., 3310 N. Church Street, 27406, (336) 375-9890, (877) 446-7144  
**HICKORY** - Power Tool & Electric Equipment, 442 Highland Avenue S.E., 28602, (828) 327-8400  
**JACKSONVILLE** - Discount Sales and Service, 468-B Western Blvd., 28456, (910) 455-6700  
**RALEIGH** - Authorized Appliance Service Center, 800 North Person Street, 27604, (919) 834-3476  
**WINSTON-SALEM** - Authorized Appliance Service Center, 904 S. Marshall Street, 27117, (910) 725-5396

## NORTH DAKOTA

**BISMARCK** - Guitarland, 210 E Main Street, 58501, (701) 255-0212  
**DICKINSON** - Fix It Shop, 316 21st Street E, 58601, (800) 871-0766  
**FARGO** - General Parts & Supply Co., 10 S. 18th St, 58103, (701) 235-4161, (800) 279-9987

## OHIO

**AKRON** - Advanced Appliance Service Company, 73 W. Exchange Street, 44308, (330) 762-8968  
**CANTON** - Appliance Parts Co., 1267 Dueber Avenue, SW, 44706, (330) 453-8077  
**CINCINNATI** - H&S Service, 458 Cincinnati Batavia Pike, 45244, (513) 528-0808  
**CLEVELAND (MENTOR)** - Lake Erie Lawn & Garden, 7833 Munson Rd., 44060, (216) 257-9000  
**CLEVELAND (PARMA)** - Majors Appliance, 5785 Ridge Road, 44129, (216) 884-7200  
**CLEVELAND (WESTLAKE)** - Philips Consumer Electronics, 24090 Detroit Avenue, 44145, (216) 899-2040, (800) 331-7037  
**DAYTON** - Layer Electric, 603 South Ludlow Street, 45402, (937) 224-9608  
**DAYTON (NEW CARLISLE)** - Ballweg Do-It Center, 3300 South Dayton, Lakeview Rd., 45344, (937) 849-1306  
**GALION** - Allied Electrical Repair, 1404 Harding Way East, 44833, (419) 468-4962, (800) 648-6771  
**GROVE CITY** - City Bike Repair, 3957 Broadway, 43123, (614) 871-9123  
**LIMA** - Crouse Lumber Do-It Center, 333 E. Market Street, 45801, (419) 229-9070, (800) 826-9663  
**MANSFIELD** - Boliantz Hardware, 860 Ashland Road, 44905, (419) 589-5467  
**PORTSMOUTH** - Market St Hardware & Toy Town, 217 Market Street, 45662, (740) 456-5704  
**TOLEDO** - Mr. Appliance of Toledo Inc., 1621 Broadway, 43609, (419) 241-9731, (800) 436-5415  
**WELLINGTON** - Travelite Inc., 750 Industrial Avenue, P.O. Box 98, 44090, (440) 647-3670, (800) 326-0406  
**YOUNGSTOWN** - O'Connor's, 3224 Market Street, 44507, (330) 782-4705  
**ZANESVILLE** - Batteries Unlimited, 2350 Adamsville Road, 43701, (740) 453-3311

## OKLAHOMA

**McCALESTER** - Quality Upholstery, 803 East Gene Stipe Blvd., 74501, (918) 423-4747  
**OKLAHOMA CITY** - Appliance Services by CK, 101 East Madison, 73105, (405) 525-8862  
**OKLAHOMA CITY** - Oklahoma Service Center, 1940 North May Street, 73107, (405) 946-9841  
**TULSA** - H.L. Moss, Inc., 1714 E. 15th Street, 74104, (918) 744-1305, (800) 248-5948

## OREGON

**EUGENE** - Oldfield's, 1465 West 7th, 97402, (541) 485-6000, (800) 944-0238  
**PORTLAND** - Appliance Repair Central, 2033 N. E. Columbia Blvd, 97211, (503) 285-1828, (800) 588-7339

## PENNSYLVANIA

**ALTOONA** - Frye's Sweeper & Sewing Center, Inc., 1400 Valley View Boulevard, 16602, (814) 943-5001, (800) 640-1308  
**BUTLER** - Battery Warehouse, 469 Cunningham Street, 16001, (724) 287-3191  
**CRANBERRY** - Batteries Plus North, Cranberry Towne Plaza 20808 Route 19, 16066, (724) 742-1690  
**ERIE** - Parke T. Morrow Inc., 627 West 26th Street, 16508, (814) 455-7566  
**GRAPEVILLE** - Jiffy Service, 12 Fourth Street, 15634, (724) 523-5585  
**GROVE CITY** - Battery Warehouse, 620 East Main Street, 16127, (724) 458-1655  
**HARRISBURG** - C.A. Juillard, Inc., 2301 North Seventh Street, 17110, (717) 233-3488, (800) 633-3488  
**JOHNSTOWN** - Cambria True Value Hardware, West Hills Square, Goucher Street, 15905, (814) 255-4752

**KINGSTON** - Vac-Way Appliance & Service, 595 Market Street, 18704, (570) 288-4508  
**LANCASTER** - Colonial Electronics Inc., 241 West Roseville Suite #2t, 17601, (717) 560-2222  
**McDONALD** - Small Engine World, 130 East O'Hara Street, 15057 (724) 926-3330  
**MOSCOW** - Vac-Way Appliance & Service, RR #6 Box 6237, 18444, (570) 842-4668  
**ORANGEVILLE** - Hess Do-It Center & Market, Route 487, Box 4 M, 17859, (570) 683-5162  
**PHILADELPHIA** - Appliance Care/Service Corp., 6407 Rising Sun Ave., 19111, (215) 725-3112  
**PHILADELPHIA (COLLINGDALE)** - J.F. Kenney Electric, 920 MacDade Blvd, 19023, (610) 534-7373  
**PITTSBURGH** - Batteries Plus, 3912 Library Road, 15234, (412) 531-1690  
**READING** - Electric Repair Co., 502-504 N. 9th Street, 19604, (610) 376-5444, (800) 422-8171 (PA only)  
**SCRANTON** - Vac-Way Appliance and Service, 601 Cedar Avenue, 18505, (570) 343-1121  
**SHAMOKIN DAM** - Willard Battery Outlet, 138 S. Old Trail, 17876, (570) 743-5383  
**SHIPPENVILLE** - Battery Warehouse, 11105 Rt 322 Riverhill, 16254, (814) 227-2123  
**TROY** - Hoover Hardware, 9 Canton, 16947, (800) 251-2156, (570) 297-3445  
**WILKES-BARRE** - Walter Hardware DO-IT Center, 57 N. Welles Street, 18702, (570) 823-1406

## PUERTO RICO

**MAYAGUEZ** - Cardona Appliance Service, 8 San Vicente Street, 00680, (787) 832-8366  
**MAYAGUEZ** - AAA Melendez Rental, Calle Post 319 Sur, 00680, (787) 832-5225  
**PONCE** - Ferreteria Vivian, Centro Comercial, Los Caobos #7, 00731, (787) 840-0677  
**PUERTO NUEVO** - Buckeye Service, 1013 Jesus T. Pinero Avenue, 00920, (787) 782-6175

## SOUTH CAROLINA

**AIKEN** - Dunagan's Sewing & Vacuum, 1536 Whiskey Road, 29803, (803) 649-6777  
**BELTON** - American Pro Office Equipment, 309 Forest Lane, 29627, (864) 338-9041  
**CHARLESTON HEIGHTS** - Dorchester Electric Service, 3575 Dorchester Avenue, 29405, (803) 747-5221  
**COLUMBIA** - Authorized Appliance Servicenter, 1811 Taylor Street, 29202, (803) 254-8414  
**DARLINGTON** - Hobbies and More, 1570 South Main Street, 29532, (803) 393-0355, FAX (803) 393-8171  
**EASLEY** - Trails End Bicycles, 110 Pendleton Street, 29640, (864) 306-1684  
**FORT MILL** - Service Engines Inc., 3356 SC Highway 51, 29715, (803) 548-1778, (800) 845-1191  
**GREENWOOD** - Bikes & Boards & Mopeds, 203A Montague Avenue, 29646, (864) 229-2453  
**SENECA** - Seneca Micronics, 110 East North First, 29678, (864) 882-6593

## SOUTH DAKOTA

**RAPID CITY** - Mick's Electric, Inc, 1304 Oregon Street, 57701, (605) 348-2335  
**WINNER** - Nelson's Electronics Inc., 422 West 2nd Street P.O. Box 369, 57580, (605) 842-1611, (888) 842-1699

## TENNESSEE

**CHATTANOOGA** - Consumer Service Company, 2607 E 47th Street, 37407, (423) 867-8629  
**DANDRIDGE** - Save More Sales, 1291 W Hwy. 25-70, 37725, (865) 397-1255  
**KNOXVILLE** - Appliance & Electric Service Company, 3613 Sutherland Avenue, 37919, (865) 588-5395, (800) 585-5395  
**KNOXVILLE** - Authorized Appliance Service Center, 1206 North Central Street, 37917, (865) 524-3376  
**MEMPHIS** - Camp Electric Co., 647 Madison Avenue, 38103, (901) 527-7543, (800) 238-7345  
**NASHVILLE** - Webb's Appliance Service Center, Inc., 1519 Church Street, 37203, (615) 329-4079, (800) 899-4079  
**PINEY FLATS** - Appalachian Small Engines, 6192 Hwy 11E, 37686, (423) 391-0185, (800) 219-8810

# Authorized Service Centers

## TEXAS

**AMARILLO** - Reid's Appliance Service, Inc., 906 Georgia, 79102, (806) 373-8812

**CORPUS CHRISTI** - Brand Appliance & Microwave, 2751 South Staples, 78404, (361) 854-1851

**DALLAS** - All Type Sales and Service Co., Inc., 2835 Irving Blvd., 75207, (214) 638-1170, (800) 717-1170

**DALLAS** - Pearsol Appliance Co., 3127 Main Street, 75226, (214) 939-0930

**FT. WORTH** - Ft. Worth Shaver and Appliance Center, 1900 Montgomery Street, 76107, (817) 335-9970, (800) 816-2126

**HOUSTON** - Brand Service Center, 5727 Richmond Avenue, 77057, (713) 782-8910

**KILLEEN** - Master Tech Repairs, 501 West Elms Road Suite #10, 76542, (254) 618-5480

**LONGVIEW** - Foster's, 3315 Gilmer Road, 75604, (903) 759-3939

**LUBBOCK** - Minter's, 4409 50th Street, 79414, (806) 799-3170

**LUFKIN** - STS Audio and Video, 1505 South First Street, 75901, (936) 639-4529

**MC ALLEN** - All-In-One Repair Shop, 2313 Lark Avenue, 78504, (210) 682-8858

**MIDLAND** - Midland Tool Specialty, 918 South Main, 79701, (915) 682-4647, (800) 499-0755

**PASADENA** - Larry's TV Service, 3520 Fairmont Parkway, 77504, (713) 998-0122

**ROMA** - True Value Hardware, 1004 E. Highway 83, (210) 849-1322

**SAN ANTONIO** - Texas Shaver & Appliances, 8121 Callaghan Road, 78230, (210) 344-8577

**TEMPLE** - Master Tech Repairs, 2819 West Avenue North, 76504, (817) 773-8991

**WICHITA FALLS** - Allens Appliance Service, 2403 10th Street, 76309, (940) 766-2635

## UTAH

**OREM** - The Mending Shed, 1735 South State Street, 84058, (801) 225-8012, (800) 339-9297

**SALT LAKE CITY** - Appliance Service Center, Inc., 210 East 6th South, 84111, (801) 328-9703

**WILLARD** - Peak Electric Co Inc, 780 N 200 W, 84340, (435) 723-7104

## VIRGINIA

**ALEXANDRIA** - D & S Repair Service, 20 South Dove Street., 22314 (703) 683-0009

**FREDERICKSBURG** - Fredericksburg Electrical Repair, Inc., 10825-D Houser Drive, 22408, (540) 891-7911

**HARRISONBURG (PENN LAIRD)** - J.L. Maintenance & Repair, Inc., Rt 2, Box 308, 22846, (540) 289-9844

**LOUISA** - Lakeside Electric Const., 4344 Davis Highway Suite 2, 23093, (540) 967-3000

**RICHMOND** - Wells Inc., 3502 Jefferson Davis Highway, 23234, (804) 233-6726

**ROANOKE** - Commonwealth Shaver & Appliance Service, 5524 Williamson Road, NW, 24012, (540) 366-6038

**SOUTH BOSTON** - South Boston True Value, 307 Broad Street, 24592, (804) 572-6666

**VIRGINIA BEACH** - Commonwealth Electric Shaver, 549 Newton Road #108, 23462, (757) 490-0500

**WINCHESTER** - Battery Mart of Winchester, Inc., 1 Battery Dr., 22601, (703) 655-0065

## WASHINGTON

**ARLINGTON** - Cordz Limited, 105 North Olympic Avenue, 98223, (360) 435-2471

**KENNEWICK** - At Home Electronic Service, 313 East First Avenue, 99336, (509) 586-3800

**SEATTLE** - Action Small Appliance, 2125 2nd Avenue, 98121, (206) 448-2020

**SEATTLE (BELLEVUE)** - Action Small Appliance Service, 1500 145th Place, SE, 98007, (206) 643-9806

**SPOKANE** - Aalwaco Appliance, N 3007 Argonne Road, 99212, (509) 487-1089

## WEST VIRGINIA

**BECKLEY** - Jerry's Detectors, Vacuum & Appl. Svc., 411 Second Street. 25801, (304) 253-3521

**CHARLESTON** - Sneed's Vacuum & Sewing Center, 2614 7th Avenue, 25312, (304) 744-3670, (800) 245-8048 (WV only)

**HUNTINGTON** - Mike's Appliance and Service, 212 20th Street, 25703, (304) 522-0737

**MARTINSBURG** - Battery Mart, 1161-3 Winchester Avenue, 25401, (304) 267-7033, (800) 464-7918

**PARKERSBURG** - Battery Mart, 656 Seventh Street, 26101, (304) 424-7250

**VIENNA** - T & S Lawn - Landscape & Power Equipment, 1100 10th Street, 26105, (304) 295-7633 (800) 559-7633

**WHEELING** - Fast Service Center, 1058 Main Street, 26003, (304) 232-5561 (800) 874-4090

## WISCONSIN

**ELK MOUND** - Epp Electronics, E9485-A County Road EE, 54739, (715) 879-4634

**GREENBAY** - Kastle Carts, Inc., 2301 N. Irwin Ave., 54313, (414) 465-6121

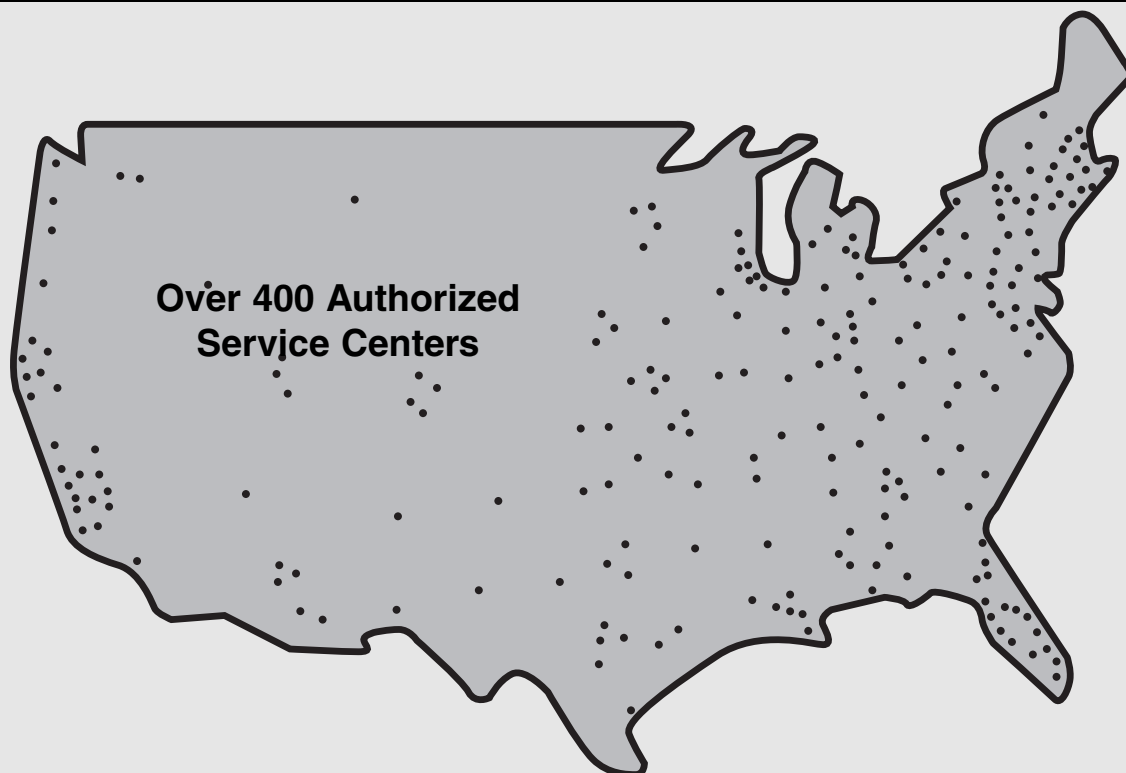
**LACROSSE** - Paul's Shaver Service, 1224 Caledonia Street, 54603, (608) 782-6291

**MILWAUKEE** - Abby Electronics, 4295 S. 20th Street, 53221, (414) 281-6602

**MILWAUKEE** - Brand Appliance Repair, Inc., 6601 W Oklahoma Avenue, 53219, (414) 541-4340

**MONONA** - Kiefers Shaver & Appliance, 4511 Monona Drive, 53716, (608) 221-3322

# **DO NOT Return your Vehicle to the Store !**



If you are missing parts or need assistance, please call us toll-free:

**Power Wheels® Consumer Relations**

**1-800-348-0751**

8 AM - 6 PM EST, Monday through Friday.

Or contact your local Power Wheels® Authorized Service Center.

For the location nearest you, refer to the  
Authorized Service Center list in this manual.

