

This Owner's Manual is provided and hosted by [Appliance Factory Parts](#).



# FISHER PRICE 74260 Owner's Manual

[Shop genuine replacement parts for FISHER PRICE  
74260](#)



[Find Your FISHER PRICE Ride On Parts - Select From 999 Models](#)

----- Manual continues below -----



# Dream Carriage™

For Model 74260



Product features and decoration may vary from the picture above.

## Owner's Manual with Assembly Instructions

Please read this manual and save it with your original sales receipt.

Tools needed for assembly: Phillips Screwdriver, Hammer, Pliers, and Safety Scissors (tools not included).

Use only with a Power Wheels® Type H 6 Volt Battery, Power Wheels® 25 Amp Fuse and Power Wheels® Type H 6 Volt Charger (all included).

Soundbox requires three "AA" (LR6) alkaline batteries (not included) for operation.

[www.powerwheels.com](http://www.powerwheels.com)

# Table of Contents

A	Important Information	2
B	Warnings and Cautions	3
C	Parts	4
D	Parts Diagram	8
E	Battery Charging	9
F	Assembly	11
G	Label Decoration	23
H	Battery Installation	25
I	Battery Care and Disposal	26
J	Caring For Your Vehicle	26
K	Rules For Safe Driving	27
L	How to Operate Your Vehicle	28
M	Statement of Limited Warranty	29
N	Problems and Solutions Guide	30
O	Authorized Service Centers	33

## A

## Important Information

- Your new vehicle requires adult assembly. Please set aside at least 60 minutes for assembly.
- You must charge your battery for 18 - 30 hours **before you use your vehicle for the first time.** We recommend that you start charging your battery before beginning assembly. Please see Battery Charging beginning on page 9 for detailed instructions.
- Read this manual carefully for important safety information and operating instructions before using your vehicle. Keep these instructions for future reference as they contain important information.
- This vehicle is designed for use on: grass, asphalt and other hard surfaces; on generally level terrain; and by children 2 - 6 years of age.
- Make sure children know and follow these rules for safe driving and riding:
  - always sit on the seat.
  - always wear shoes.
  - only 1 (one) rider at a time.
- To prevent damaging the motors and gears, do not tow anything behind the vehicle or overload it. Do not exceed the maximum weight capacity of 65 lbs (30 kg).
- If you have any questions about your Power Wheels® vehicle, please call our toll-free service lines at **1-800-348-0751** from 8 AM to 6 PM (EST) Monday through Friday. Trained customer service representatives are available to take your call in English or French. Habla Español? Si usted tiene alguna pregunta ó necesita asistencia llame gratis **1-800-348-0755** para los Estados Unidos. Tenemos representantes que hablan español para atender su llamada.
- For your convenience, Power Wheels® maintains an Authorized Service Center Network with more than 400 authorized service centers nationwide. Our authorized service centers will repair or replace parts under warranty at no extra charge, and can perform non-warranty repairs for a minimal charge. Please see the Authorized Service Center list beginning on page 33 to find the authorized service center nearest you, or call **1-800-348-0751**.
- Please complete and return the enclosed Registration Card today, or call **1-800-348-0751** to register your vehicle by phone.

# B

## Warnings and Cautions

### ELECTRICAL HAZARD

#### **WARNING**

- Battery can fall out and injure a child if vehicle tips over. Always use battery clamp.
- **PREVENT FIRE**
  - Do not bypass a Power Wheels® fuse. It is a safety device.
  - Use only a Power Wheels® 25 Amp fuse.
  - Never modify the electrical system. Alterations could cause a fire resulting in serious injury and could also ruin the electrical system.
  - Use of the wrong type battery or charger could cause a fire or explosion resulting in serious injury.
  - Use of Power Wheels® components in products other than Power Wheels® vehicles could cause overheating, fire or explosion.
- The battery must be handled by adults only. The battery is heavy and contains sulfuric acid (electrolyte). Dropping the battery could result in serious injury.
- Never allow children to charge the battery. Battery charging must be done by adults only. A child could be injured by the electricity involved in charging the battery.
- Never lift or carry the battery by the wires or connector. This can damage the battery and possibly cause a fire resulting in serious injury. Lift and carry the battery by the case only.
- Read the safety instructions on the battery.
- Examine the battery, charger and their connectors for excessive wear or damage each time you charge the battery. If damage or excessive wear is detected, do not use the charger or the battery until you have replaced the worn or damaged part.
- **HOT** motors. Handle carefully.

### RIDING HAZARD

#### **WARNING**

- **Prevent Injuries and Deaths**
  - Direct Adult Supervision Required
  - Keep Children Within Safe Riding Areas.  
These areas must be:
    - away from swimming pools and other bodies of water to prevent drownings
    - generally level to prevent tipovers
    - away from steps, driveways, roads and alleys.

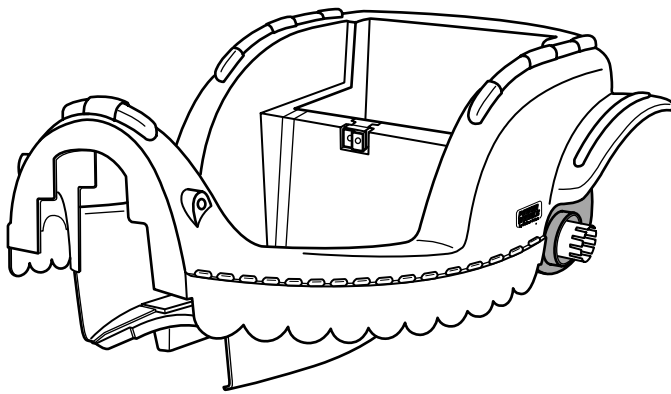
#### **CAUTION**

- In the unassembled state, this package contains small parts. Adult assembly is required.
- Use the charger in dry locations only.

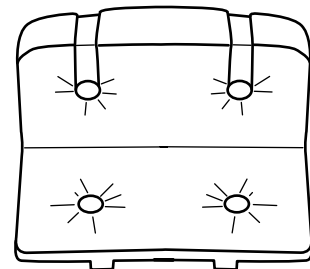
# C

## Parts

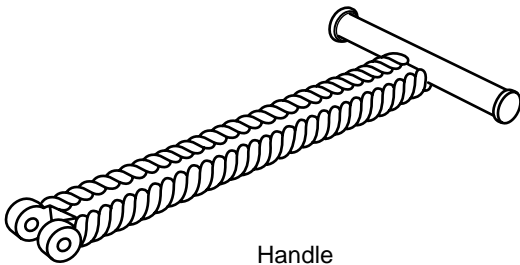
- If you experience a problem with this product, or are missing a part, please call us at **1-800-348-0751**, rather than return this product to the store.
- Please identify all parts before assembly and save all packaging material until assembly is complete to ensure that no parts are discarded.
- Metal parts have been coated with a lubricant to protect them during shipment. Wipe all metal parts with a paper towel to remove any excess lubricant.



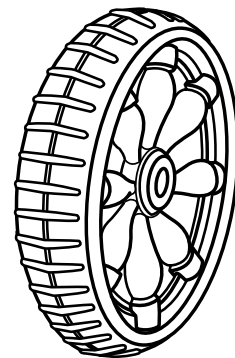
Vehicle Body



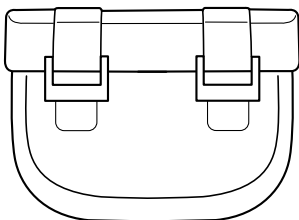
Seat



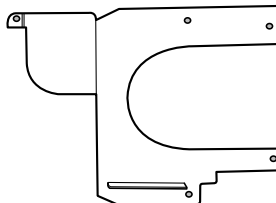
Handle



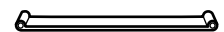
Rear Wheel - 2



Trunk

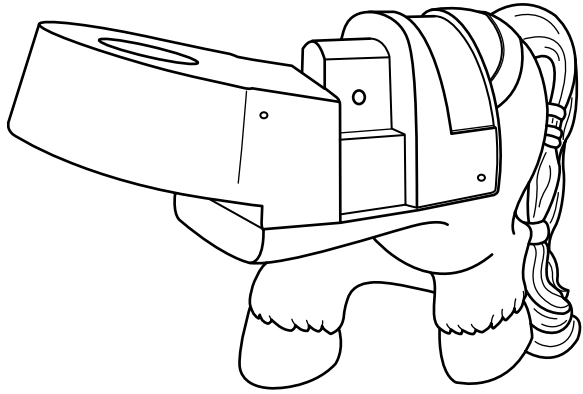


Floor Plate

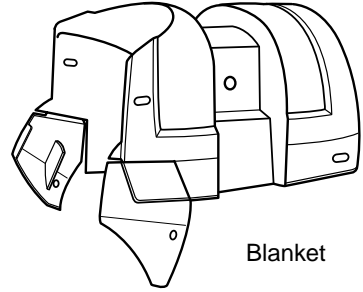


Blanket Strap

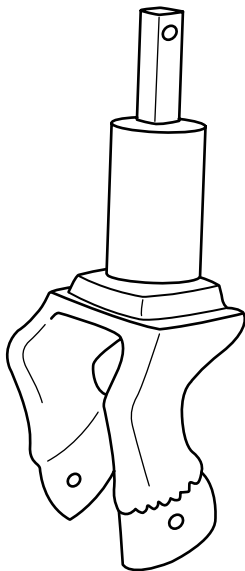
# Parts



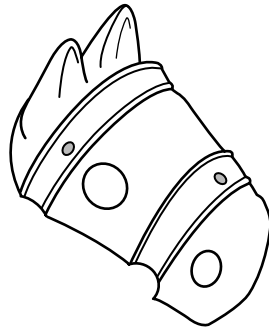
Pony Body



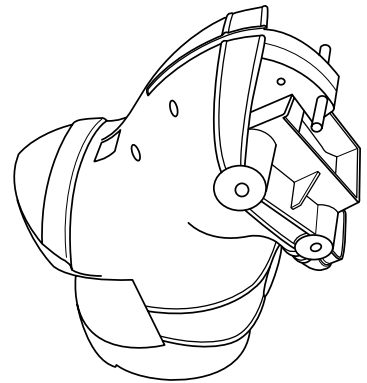
Blanket



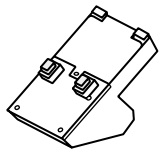
Front Feet



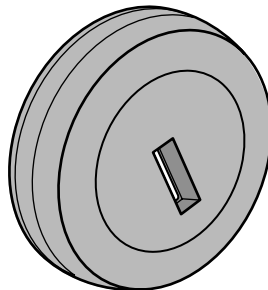
Pony Face



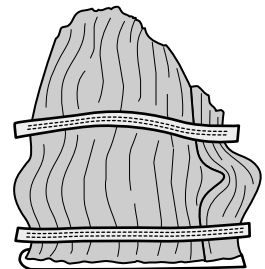
Pony Head Piece



Sound Box



Front Wheel



Mane

# Parts



Rear Axle



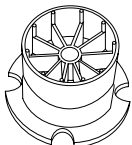
Body Axle



Front Axle



Handle Axle



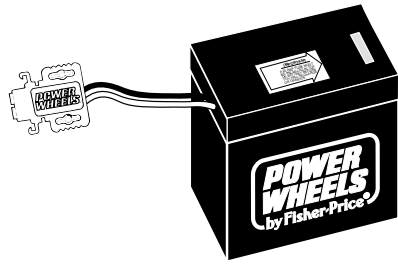
Rear Wheel Driver - 2



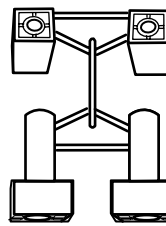
Hex Bushing - 2



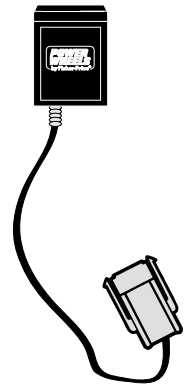
Rear Axle Spacer



6 Volt Battery



Front Wheel Spacer and Wheel Bushing



6 Volt Charger



Wheel Bushing - 2

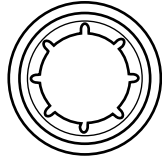
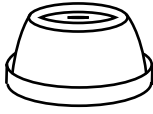


25 Amp Fuse - 1\*

**Not Shown:** Label Sheets

\*Note: For your convenience, an extra 25 amp fuse is included.

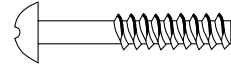
# Parts



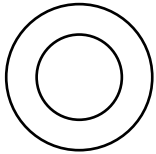
.437 Cap Nut  
(Large Inside Diameter) - 8\*



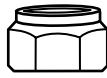
#8 x  $\frac{3}{4}$ " Screw - 19\*



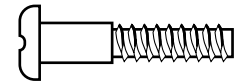
#8 x 1" Screw - 2



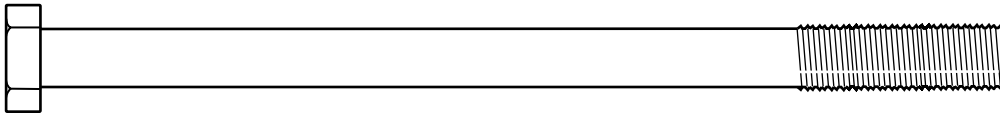
$\frac{5}{16}$ " Washer - 2



Lock Nut - 1



#8 x 1" Truss Head Shoulder Screw - 3



$\frac{5}{16}$ " x 5" Bolt - 1

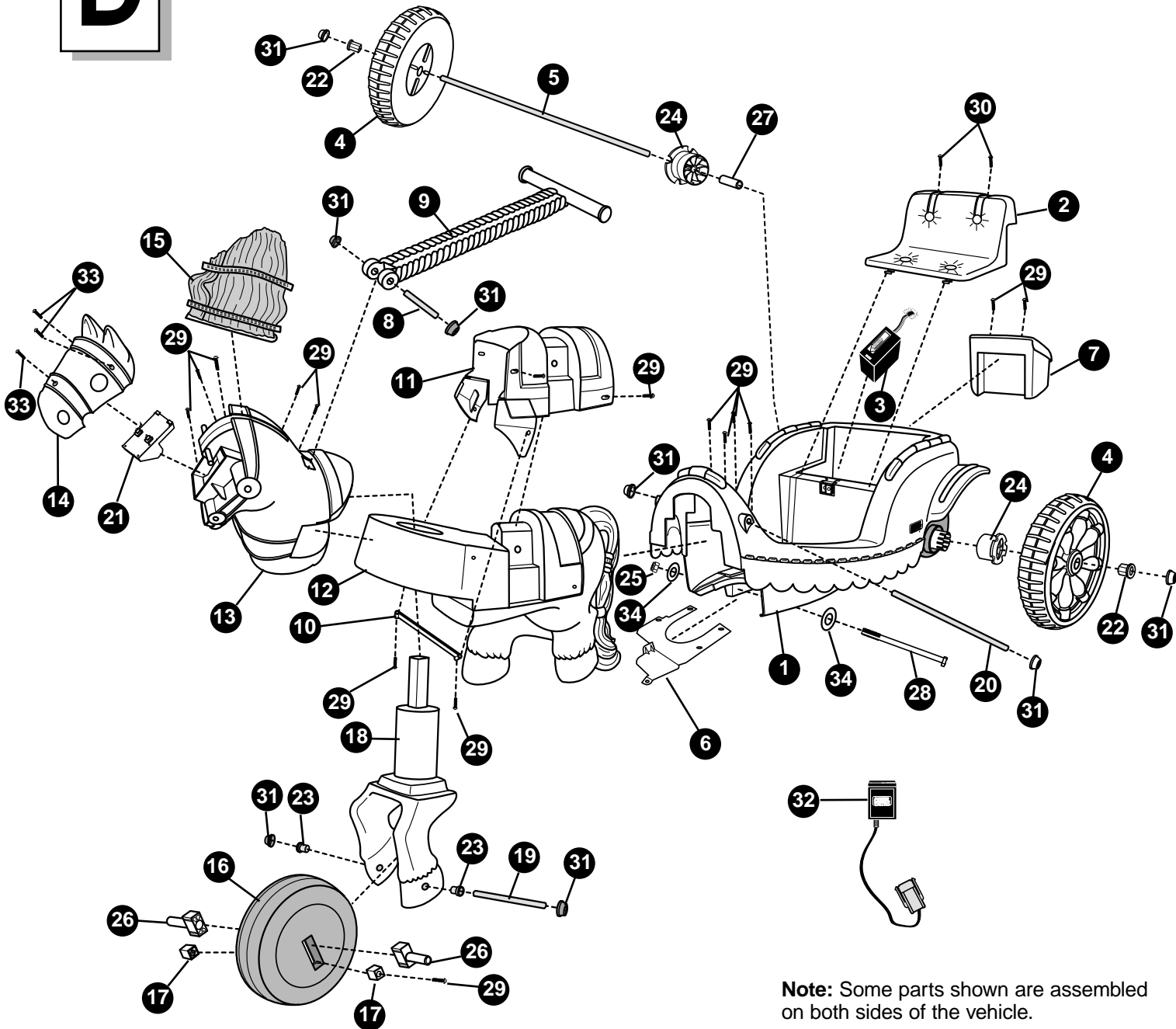
**All Shown Actual Size**

\*Note: For your convenience, an extra #8 x  $\frac{3}{4}$ " screw and cap nut have been included.



# D

## Parts Diagram



**Note:** Some parts shown are assembled on both sides of the vehicle.

- |                     |                            |  |
|---------------------|----------------------------|--|
| 1. Vehicle Body     | 14. Pony Face              | 26. Wheel Bushing - 2                        |
| 2. Seat             | 15. Mane                   | 27. Rear Axle Spacer                         |
| 3. 6 Volt Battery   | 16. Front Wheel            | 28. $\frac{5}{16}$ " x $3\frac{1}{2}$ " Bolt |
| 4. Rear Wheel - 2   | 17. Front Wheel Spacer - 2 | 29. #8 x $\frac{3}{4}$ " Screw - 19          |
| 5. Rear Axle        | 18. Front Feet             | 30. #8 x 1" Screw - 2                        |
| 6. Floor Plate      | 19. Front Axle             | 31. .437 Cap Nut - 8                         |
| 7. Trunk            | 20. Body Axle              | 32. 6 Volt Charger                           |
| 8. Handle Axle      | 21. Sound Box              | 33. #8 x 1" Truss Head<br>Shoulder Screw - 3 |
| 9. Handle           | 22. Hex Bushing - 2        | 34. $\frac{5}{16}$ " Washer - 2              |
| 10. Blanket Strap   | 23. Round Bushing - 2      |  |
| 11. Blanket         | 24. Rear Wheel Driver - 2  |  |
| 12. Pony Body       | 25. Lock Nut               |  |
| 13. Pony Head Piece |                            |  |

**Not Shown**  
Label Sheets

## ELECTRICAL HAZARD

 **WARNING**

- Battery can fall out and injure a child if vehicle tips over. Always use battery clamp.
- **PREVENT FIRE**
  - Do not bypass a Power Wheels® fuse. It is a safety device.
  - Use only a Power Wheels® 25 Amp fuse.
  - Never modify the electrical system. Alterations could cause a fire resulting in serious injury and could also ruin the electrical system.
  - Use of the wrong type battery or charger could cause a fire or explosion resulting in serious injury.
  - Use of Power Wheels® components in products other than Power Wheels® vehicles could cause overheating, fire or explosion.
- The battery must be handled by adults only. The battery is heavy and contains sulfuric acid (electrolyte). Dropping the battery could result in serious injury.
- Never allow children to charge the battery. Battery charging must be done by adults only. A child could be injured by the electricity involved in charging the battery.
- Never lift or carry the battery by the wires or connector. This can damage the battery and possibly cause a fire resulting in serious injury. Lift and carry the battery by the case only.
- Read the safety instructions on the battery.
- Examine the battery, charger and their connectors for excessive wear or damage each time you charge the battery. If damage or excessive wear is detected, do not use the charger or the battery until you have replaced the worn or damaged part.

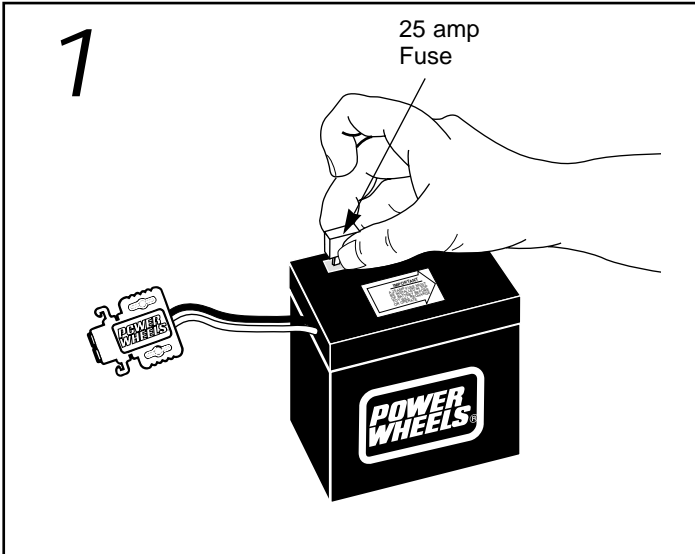
 **CAUTION**

Use the charger in dry locations only.

**Important Notes:**

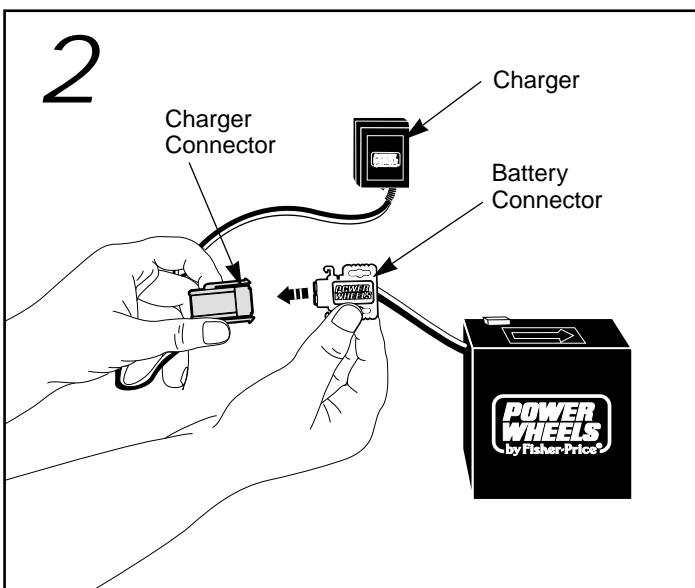
- **Your new battery must be charged for at least 18 hours before you use it in your vehicle for the first time.**
- We recommend that you start charging your battery before beginning assembly of your new vehicle.
- The battery must be upright while charging.
- The charger is not a toy.
- Do not short circuit the battery.
- You do not need to remove the battery from your vehicle to recharge it.
- Before charging the battery, examine the battery case for cracks or other damage which may allow sulfuric acid (electrolyte) to leak during the charging process. Never attempt to charge a damaged battery. If damage is detected, do not charge the battery or use it in your vehicle. Battery acid is very corrosive and can cause severe damage to surfaces it contacts. Take precautions to protect any surface on which you charge the battery.
- Do not charge the battery on a surface which could be damaged by the acid contained inside the battery. Take precautions to protect the surface on which you charge your battery.
- Use only a Power Wheels® Type H 6 volt charger (120 VAC 60 Hz 15W with an output of 6 VDC 7.2W (1200mA) to charge your Power Wheels® 6 volt battery.
- If your battery is old and will not accept a charge, do not leave it in the vehicle. Always remove a dead battery from the vehicle.

# Battery Charging

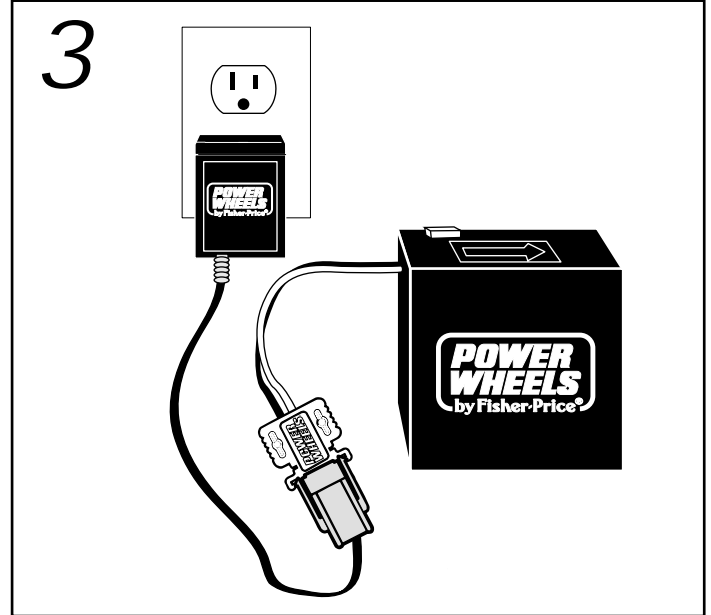


- Insert a Power Wheels® 25 amp fuse into the battery.

**Note:** The top of the fuse will not be flush with the top of the battery when properly installed.



- Plug the charger connector into the battery connector.



- Plug the charger into a standard 120 volt wall outlet.

**Note:** If power flow to the wall outlet is controlled by a switch, make sure the switch is **ON**.

- Before first time use, charge the battery for **at least 18 hours**. Never charge the battery longer than 30 hours.

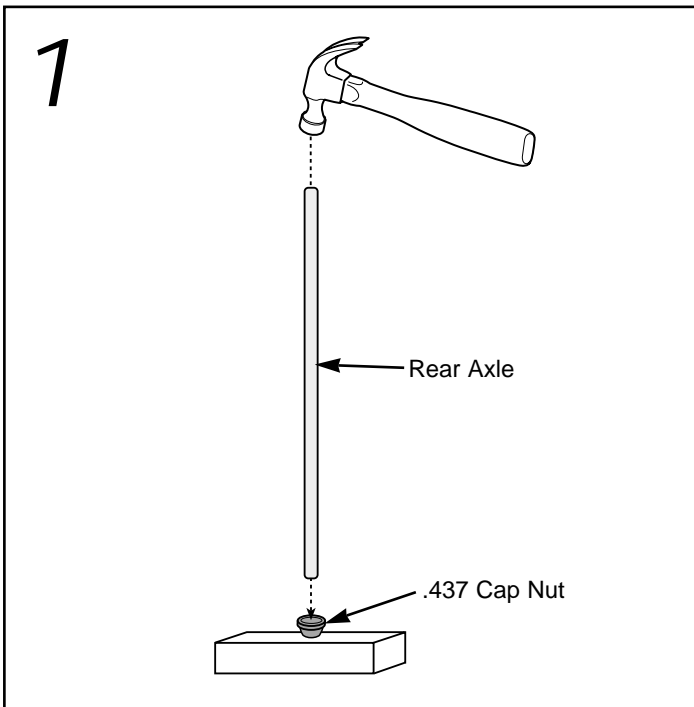
**Note:** The battery must be upright while charging.

- Recharge the battery after each use of your vehicle for at least 14 hours. Do not charge the battery longer than 30 hours.

- Once the battery is charged, disconnect the charger connector from the battery connector. Unplug the charger from the wall outlet. The battery is now ready to be installed in your vehicle. Please see "Battery Installation" on page 25 for detailed instructions on installing your battery. If your battery is already installed in your vehicle, simply re-connect the battery connector and motor harness connector and re-assemble the seat.

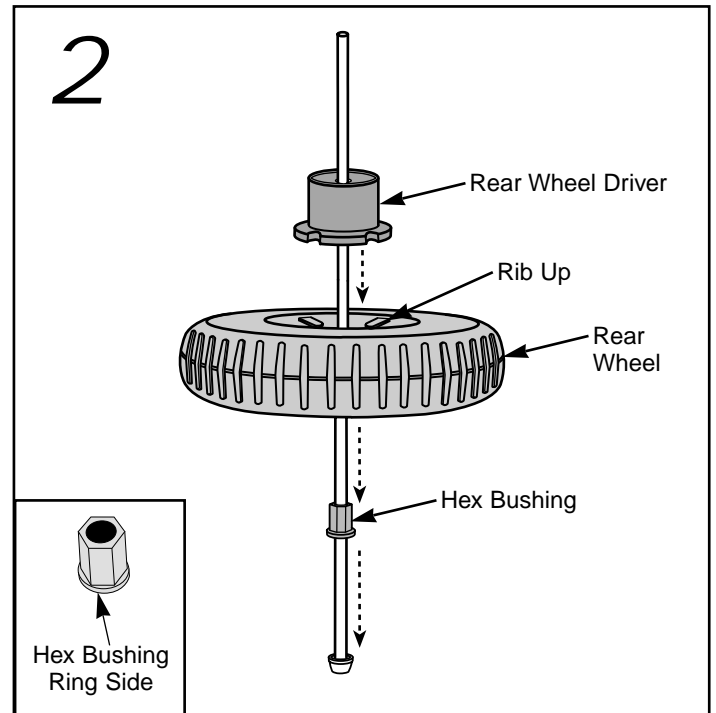
## ⚠ WARNING

Children can be harmed by small parts, sharp edges and sharp points in the vehicle's unassembled state, or by electrical items. Care should be taken in unpacking and assembly of the vehicle. Children should not handle parts, including the battery, or help in assembly of the vehicle.

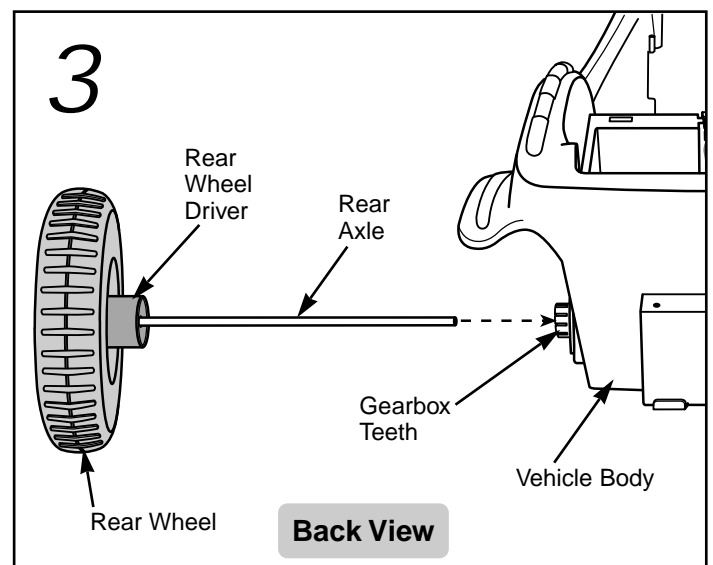


- Separate the rear axle from the other three axles. **The rear axle is the longest axle.**
- Position a .437 cap nut on a flat surface and fit one end of the rear axle into it.
- Tap the other end of the rear axle with a hammer to secure the cap nut on the end of the rear axle.

**Hint:** You may want to position the cap nut on a scrap block of wood to protect the assembly surface.

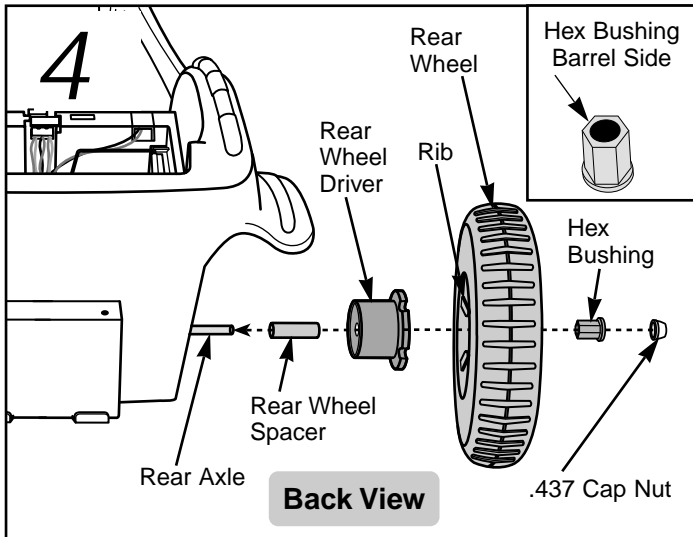


- Slide a hex bushing, ring side first, onto the rear axle.
- Slide a rear wheel, rib side up, onto the rear axle.
- Slide a rear wheel driver, ring side first, onto the rear axle. Fit the grooves on the rear wheel driver to the ribs on the rear wheel.



- Fit the rear axle into the hole in the gearbox and through the vehicle body.
- Align the ribs on the inside of the rear driver with the gearbox teeth.

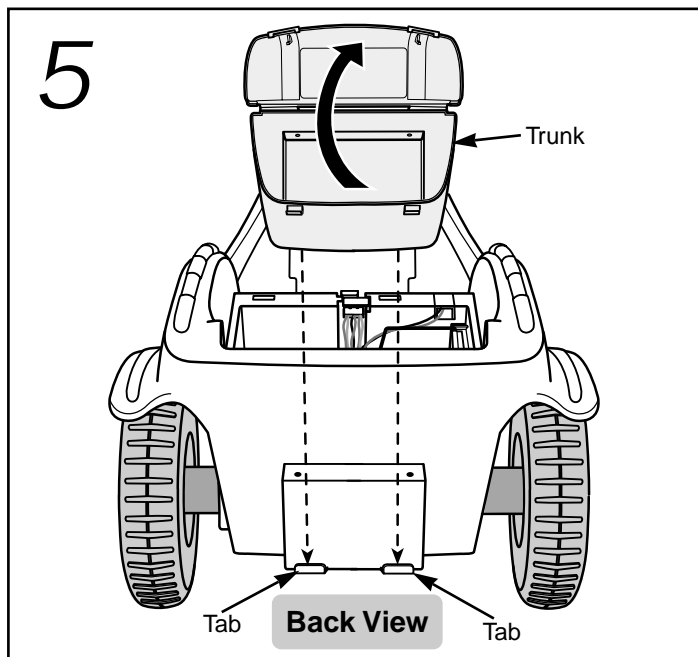
# Assembly



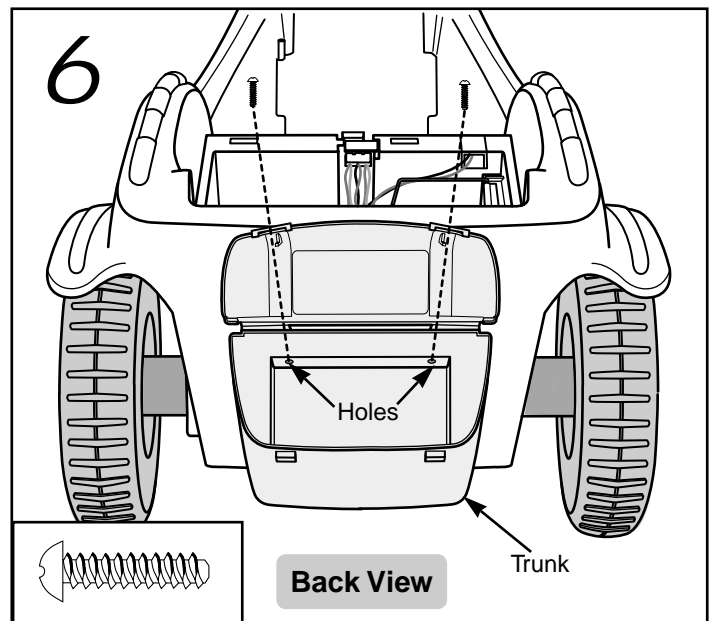
- Slide the rear wheel spacer onto the rear axle.
- Slide the other rear wheel driver, barrel side first, onto the rear axle.
- Slide the other rear wheel, rib side first, onto the rear axle. Fit the grooves on the rear wheel driver to the ribs on the rear wheel.
- Slide a hex bushing, barrel side first, onto the rear axle.
- Fit a .437 cap nut onto the rear axle.
- Tap the cap nut with a hammer to secure it on the rear axle.

**Hint:** You may want the help of another adult to support the vehicle body while you tap the cap nut with the hammer.

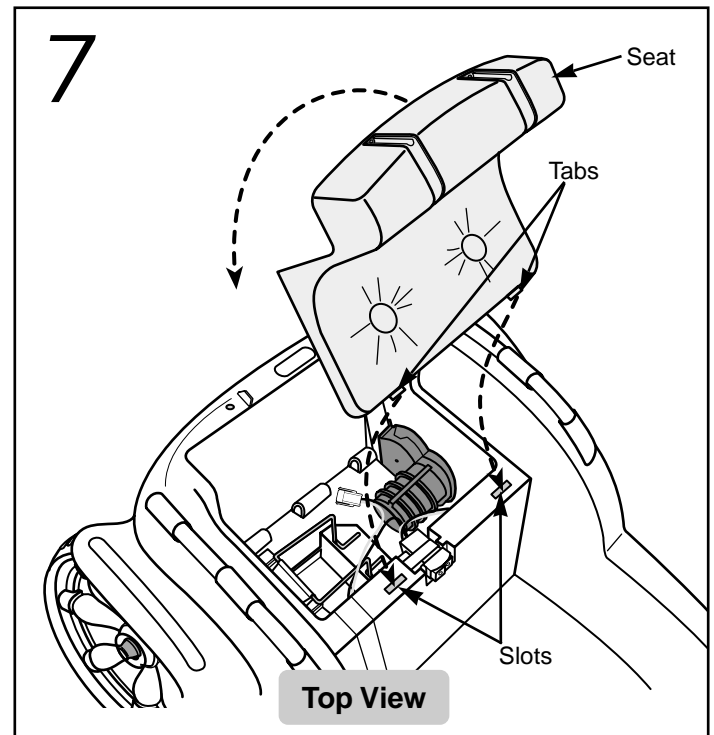
- Pull on the .437 cap nut to make sure the rear wheel assembly is secure.



- Lift the pretend buckles on the trunk and open the trunk.
- Fit the slots on the bottom of the trunk onto the tabs on the back end of the vehicle body.

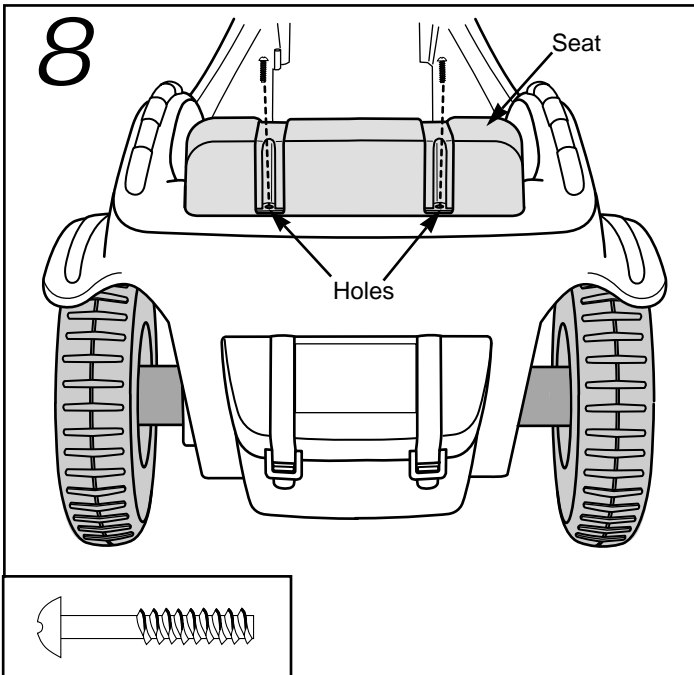


- Align the holes in the trunk with the holes in the vehicle body.
- Insert two #8 x 3/4" screws through the holes in the trunk and into the vehicle body.
- Tighten the screws with a Phillips screwdriver. Do not over-tighten.

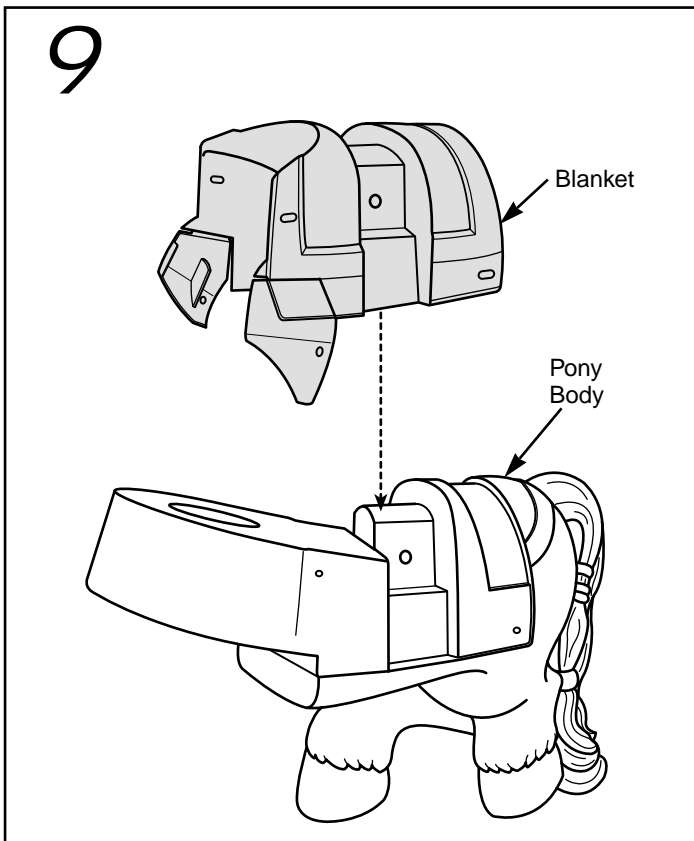


- Insert the tabs on the front of the seat into the slots inside the vehicle body.
- Lower the back of the seat.

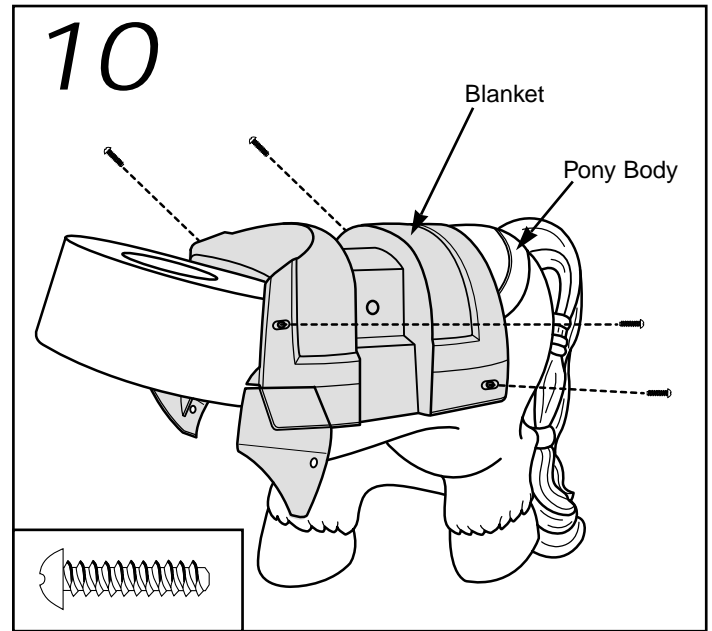
# Assembly



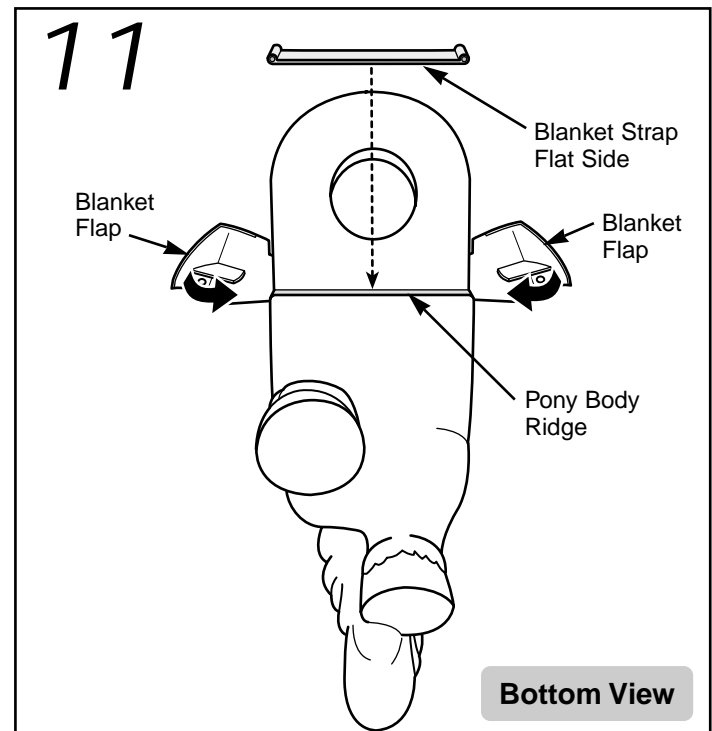
- Align the holes in the seat with the holes in the vehicle body.
- Insert two #8 x 1" screws through the holes in the seat and into the vehicle body.
- Tighten the screws with a Phillips screwdriver. Do not over-tighten.



- Fit the blanket onto the saddle area of the pony body.



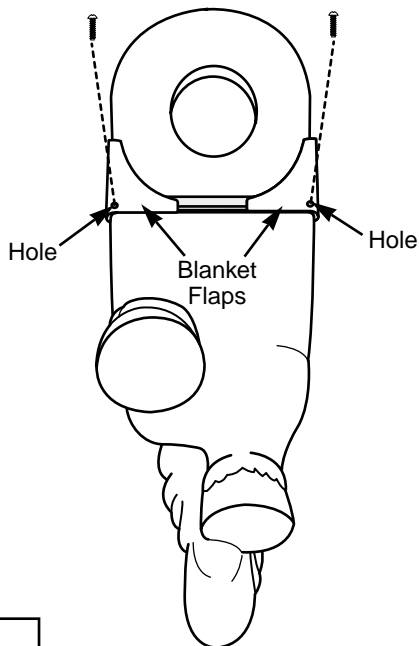
- Insert two #8 x 3/4" screws through the holes on each side of the blanket.
- Tighten the screws with a Phillips screwdriver. Do not over-tighten.



- Position the pony body upside down.
- Fit the flat side of the blanket strap against the ridge in the pony body.
- Fold the blanket flaps down as shown.

# Assembly

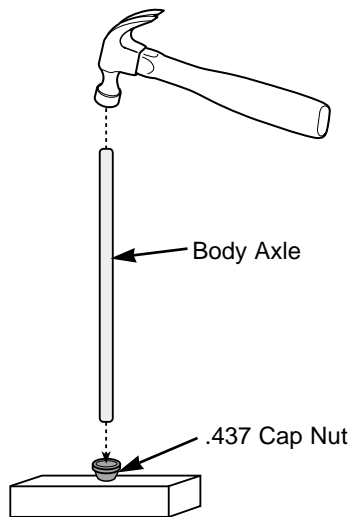
## 12



Bottom View

- Insert two #8 x  $\frac{3}{4}$ " screws through the blanket flap, the hole in the blanket strap and into the pony body.
- Tighten the screws with a Phillips screwdriver. Do not over-tighten.

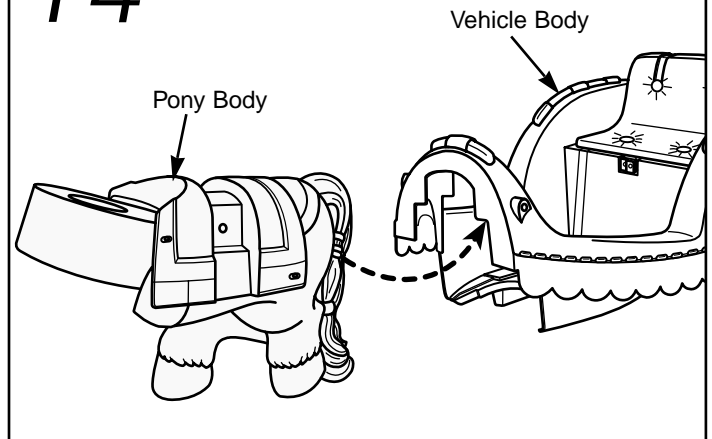
## 13



- Separate the body axle from the other two axles. The body axle is longer than the other axles.
- Position a .437 cap nut on a flat surface and fit one end of the body axle into it.
- Tap the other end of the body axle with a hammer to secure the cap nut on the end of the body axle.

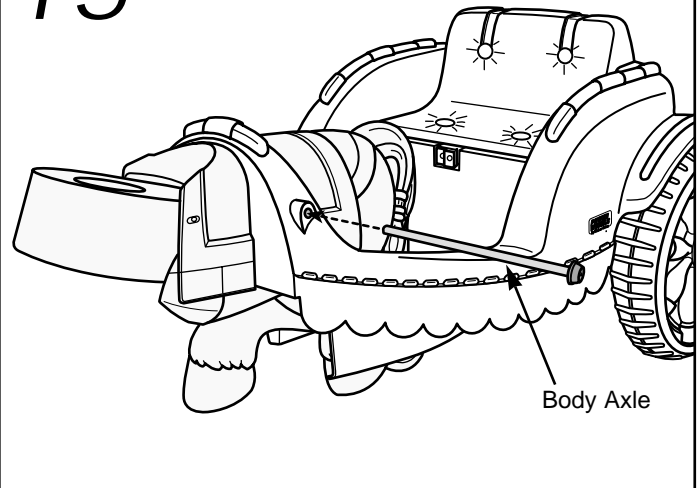
**Hint:** You may want to position the cap nut on a scrap block of wood to protect the assembly surface.

## 14



- Position both the vehicle body and pony body upright.
- Slide the back end of the pony body up through the front end of the vehicle body.

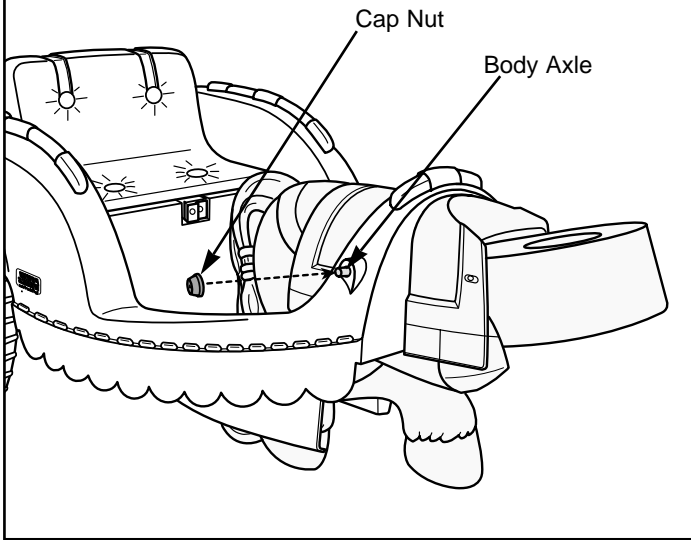
## 15



- Slide the body axle through the hole in the vehicle body, the pony body and out through the hole on the other side of the pony and vehicle bodies.

# Assembly

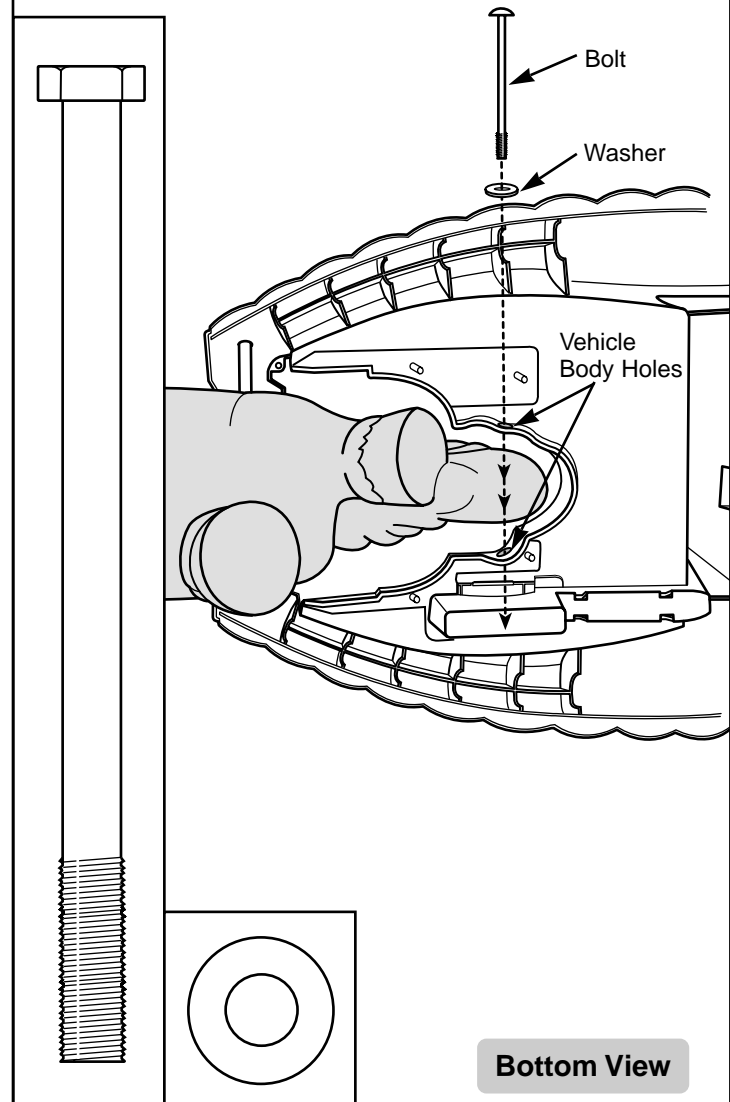
## 16



- Fit a .437 cap nut onto the other end of the body axle.
- Tap the cap nut with a hammer to secure it on the body axle.
- Pull on the .437 cap nut to make sure the body axle is secure.

**Hint:** You may want the help of another adult to support the vehicle and pony bodies while you tap the cap nut with a hammer.

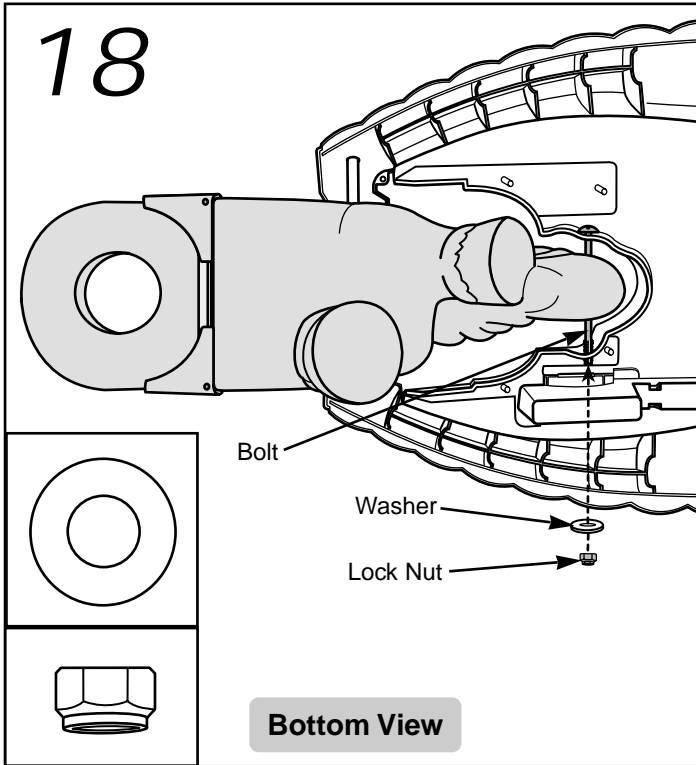
## 17



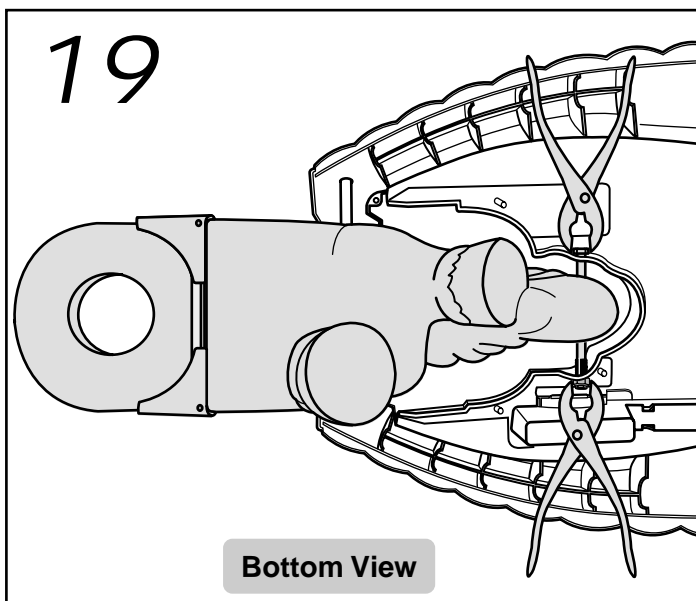
- Position the assembly on its side.
- Slide a washer on the  $\frac{5}{16}$ " x 5" bolt.
- Insert the  $\frac{5}{16}$ " x 5" bolt with washer into the hole in the vehicle body, through the pony tail, and out through the hole on the other side of the vehicle body.



# Assembly

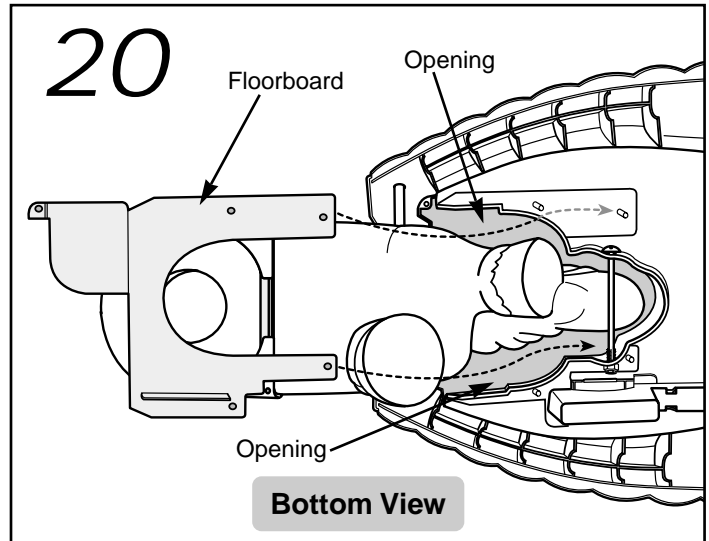


- Fit the other washer and then the lock nut on the end of the bolt.

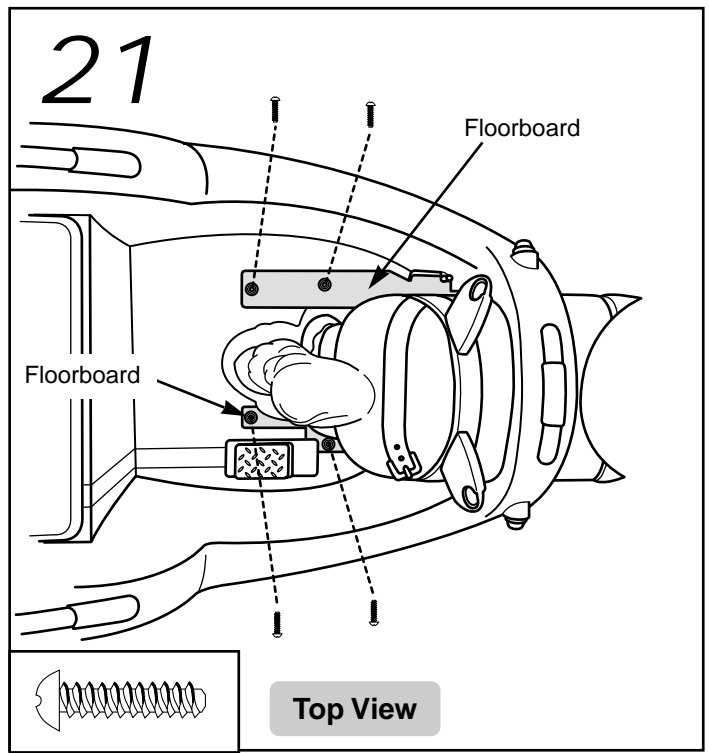


- Using pliers, hold one end of the bolt steady and tighten the lock nut on the end of the bolt. Do not over-tighten. Be sure the threads on the bolt are flush with the side of the lock nut.

**Hint:** You may want the help of another adult to hold one of the pliers while you tighten the lock nut with the other pliers.

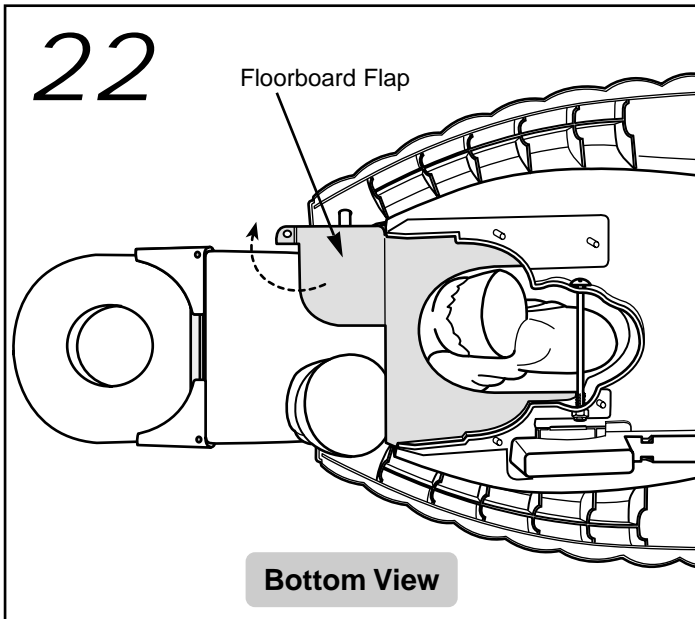


- Position the floorboard so that the smooth side is facing up.
- Fit the ends of the floorboard up through the opening in the vehicle body floor, as shown.

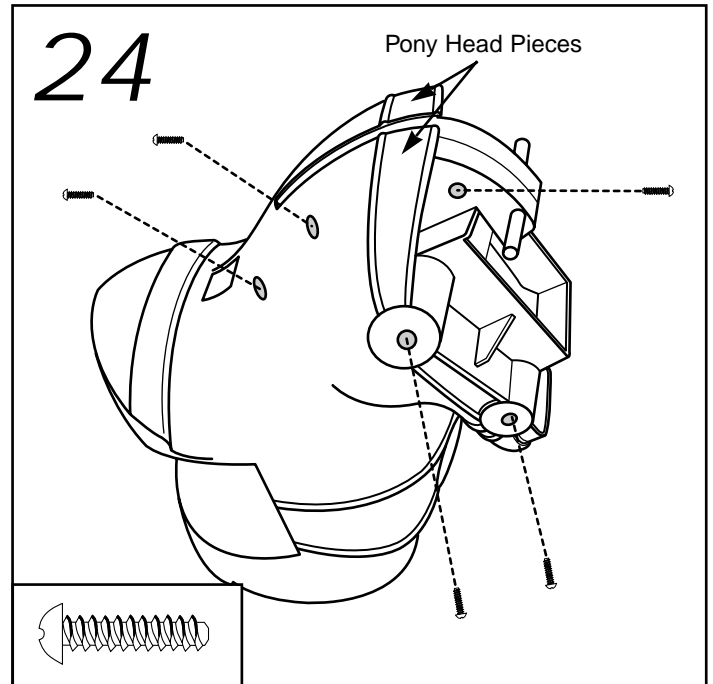


- From the inside of the assembly, insert four #8 x 3/4" screws through the holes in the floorboard and into the vehicle body.
- Tighten the screws with a Phillips screwdriver. Do not over-tighten.

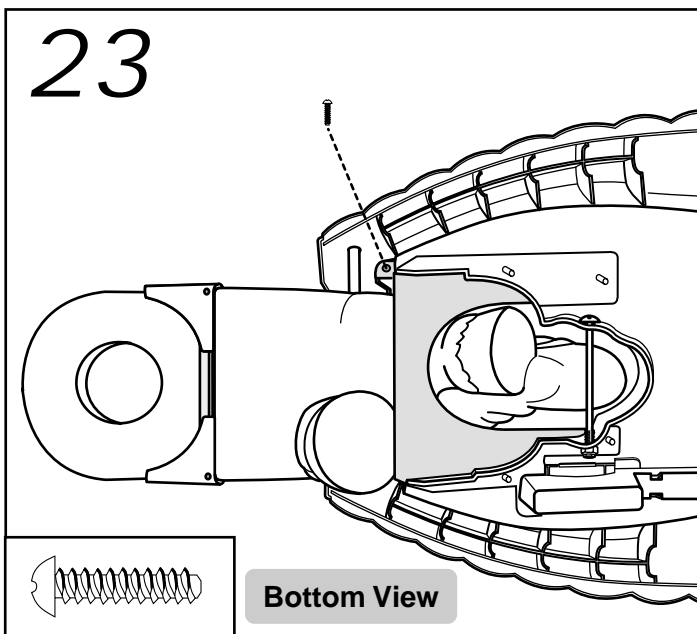
# Assembly



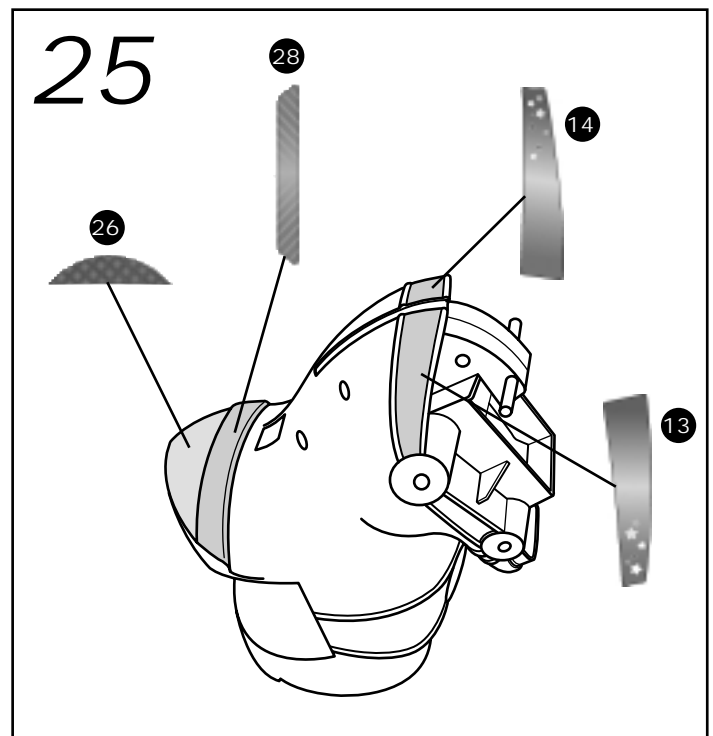
- Fold the floorboard flap up.



- Insert five #8 x 3/4" screws through the holes in the right side of the pony head and into the left side of the pony head.
- Tighten the screws with a Phillips screwdriver. Do not over-tighten.

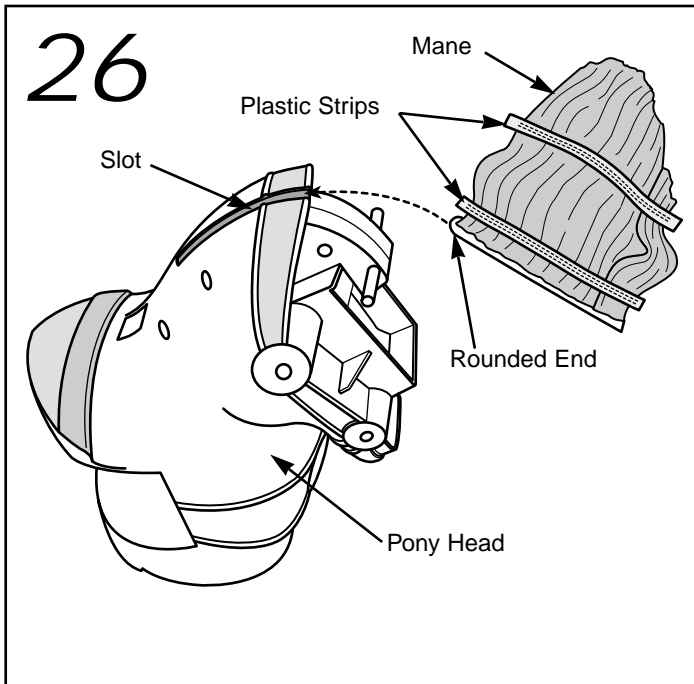


- Fold the tab on the floorboard down.
- Align the hole in the floorboard tab with the hole in the vehicle body.
- Insert a #8 x 3/4" screw through the hole in the floorboard tab and into the hole in the vehicle body.
- Tighten the screw with a Phillips screwdriver. Do not over-tighten.
- Set the vehicle body aside.



- Apply labels 13, 14, 26 and 28 to the head assembly, as shown.

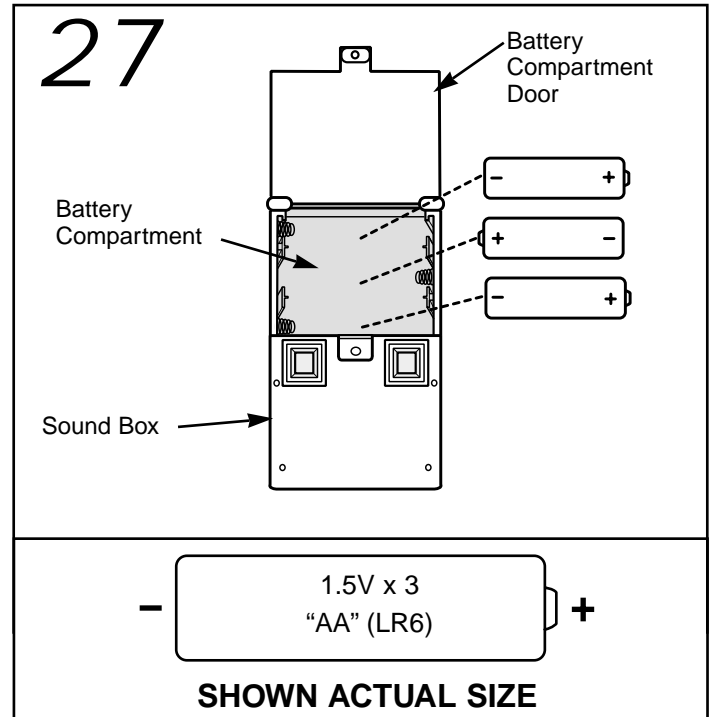
# Assembly



**Note:** Do not remove the plastic strips on the mane until vehicle assembly is complete.

- Slide the rounded end of the mane into the slot on the top of the pony head.

**Hint:** You may need to pinch the sides of the mane together as you slide the mane into the slot on the pony head.



**Hint:** For longest life, use only alkaline batteries.

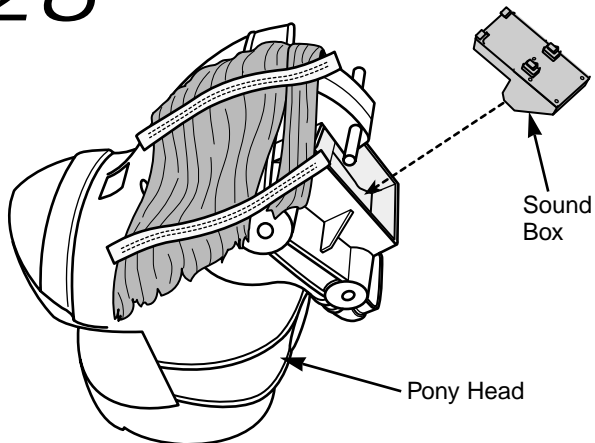
- Loosen the screw in the sound box battery compartment door using a Phillips screwdriver and open the battery compartment.
- Insert three, size "AA" (LR6) alkaline batteries in the sound box as indicated in the battery compartment.
- Close the battery compartment door and tighten the screw using a Phillips screwdriver. Do not over-tighten.

## Battery Tips

- Do not mix old and new batteries.
- Do not mix different types of batteries: alkaline, standard (carbon-zinc) or rechargeable (nickel-cadmium).
- Remove the batteries during long periods of non-use. Always remove exhausted batteries from the sound box. Battery leakage and corrosion can damage the vehicle.
- Never short circuit the battery terminals.
- Non-rechargeable batteries are not to be recharged.
- Only batteries of the same or equivalent type as recommended in these instructions are to be used.
- If removable rechargeable batteries are used, they are only to be charged under adult supervision.
- Rechargeable batteries are to be removed from the sound box before they are charged.
- If you use a battery charger, it should be examined regularly for damage to the cord, plug, enclosure and other parts. Do not use a damaged battery charger until it has been properly repaired.
- When sound from the vehicle becomes faint, or if the sound stops working, it's time to replace the batteries.
- Dispose of batteries safely.

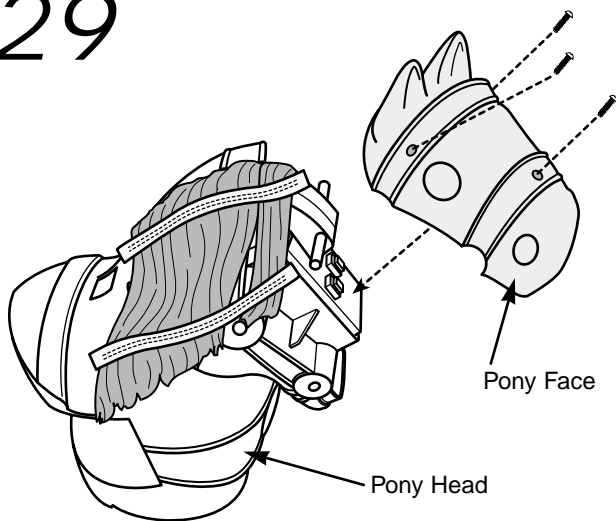
# Assembly

## 28



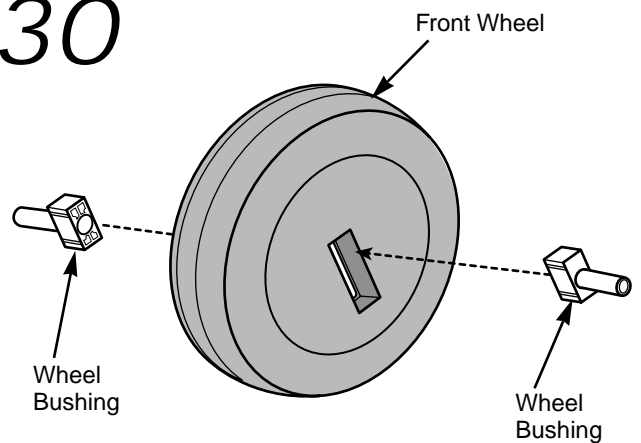
- With the speaker side down, fit the sound box into the opening in the pony head.

## 29



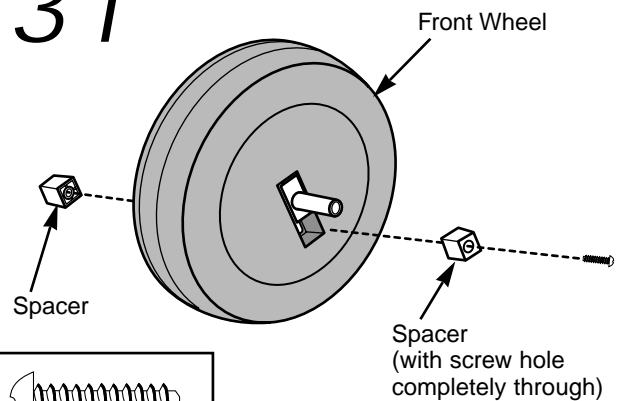
- Fit and hold the pony face against the pony head.
- Insert three #8 x 1" truss head shoulder screws through the holes in the pony face and into the pony head.
- Tighten the screws with a Phillips screwdriver. Do not over-tighten.
- Set the pony head assembly aside.

## 30



- Using safety scissors, separate the wheel bushings and the spacer from the plastic connectors. Dispose of the plastic connectors properly.
- Fit two wheel bushings into the center opening in the front wheel, as shown.

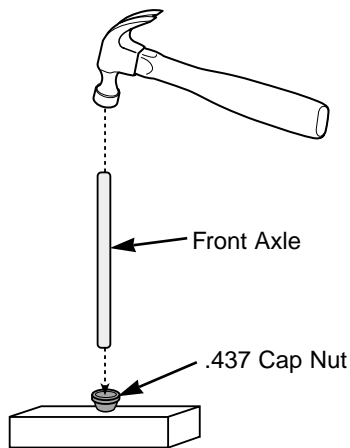
## 31



- Fit the two spacers into the center opening in the front wheel, as shown.
- Insert a #8 x  $\frac{3}{4}$ " screw into the hole in the each spacer.
- Tighten the screw with a Phillips screwdriver. Do not over-tighten.

# Assembly

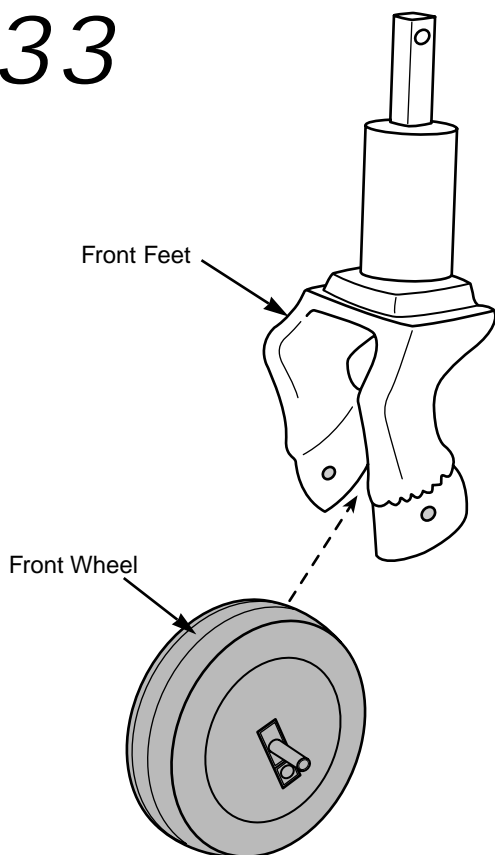
## 32



- Separate the front axle from the remaining axle. The front axle is larger than the remaining axle.
- Position a .437 cap nut on a flat surface and fit one end of the front axle into it.
- Tap the other end of the front axle with a hammer to secure the cap nut on the end of the front axle.

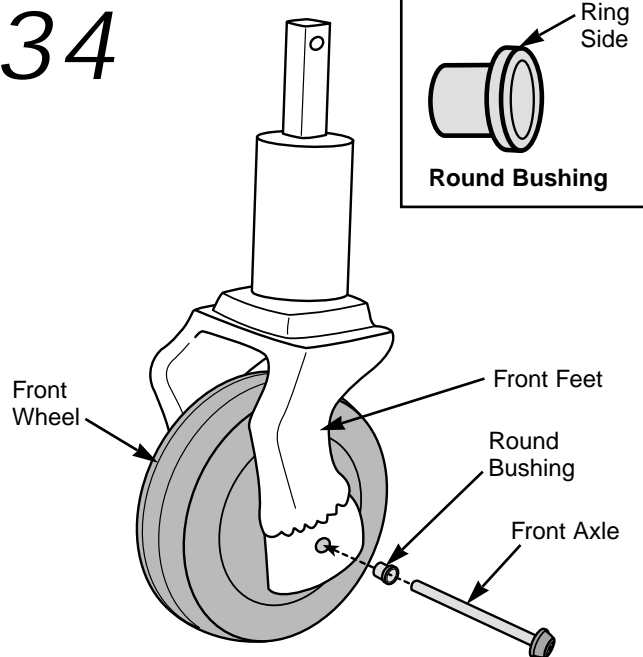
**Hint:** You may want to position the cap nut on a scrap block of wood to protect the assembly surface.

## 33



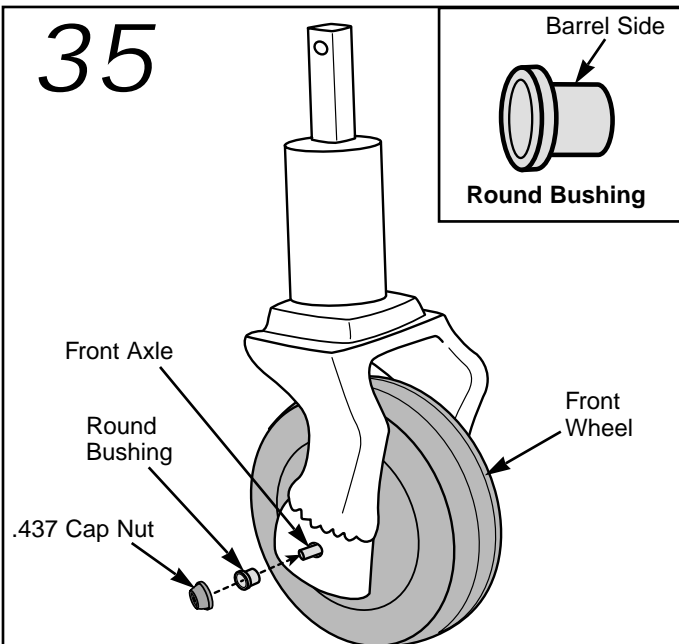
- Position the front wheel between the front feet.

## 34



- Slide a round bushing ring side first, onto the front axle.
- Slide the front axle into the hole in the side of the front feet, through the round bushing and the wheel, and out through the hole on the other side of the front feet.

## 35

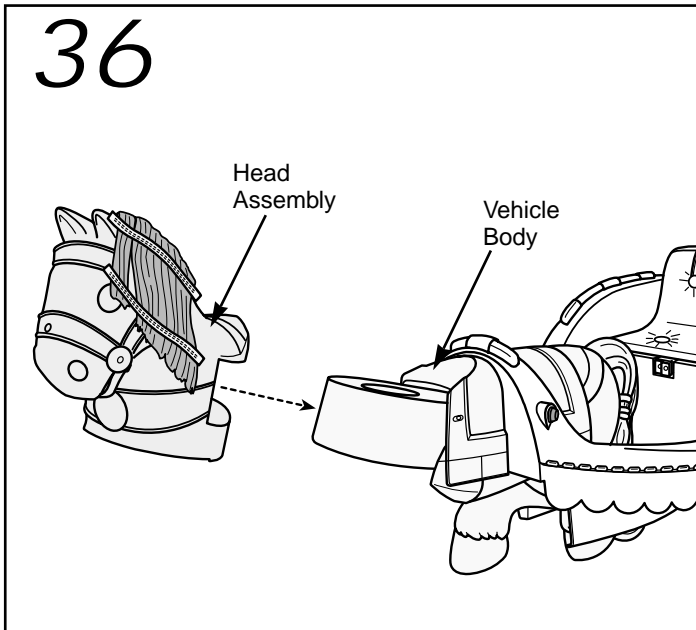


- Slide a round bushing barrel side first, onto the front axle.
- Fit a .437 cap nut onto end of the front axle.
- Tap the cap nut with a hammer to secure it on the front axle.
- Pull on the .437 cap nut to make sure the front wheel assembly is secure.

**Hint:** You may want the help of another adult to support the front axle while you tap the cap nut with a hammer.

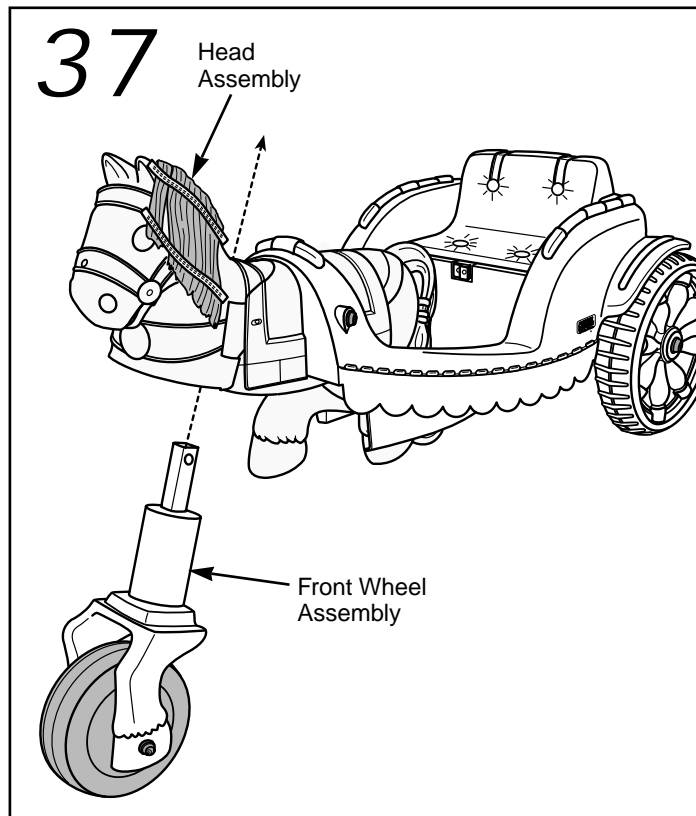
# Assembly

## 36



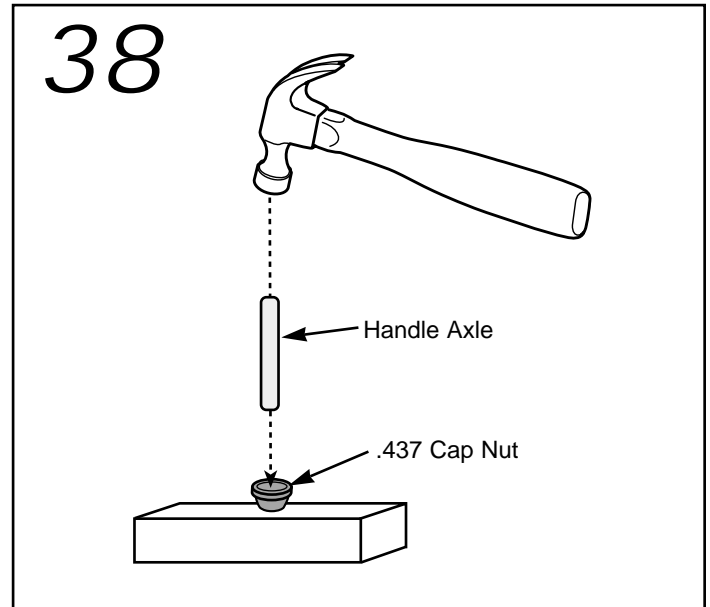
- Fit the head assembly onto the front end of the vehicle body.

## 37



- Slide the front wheel assembly up through the round opening in the underside of the head assembly and out through the square opening in the top of the head assembly.

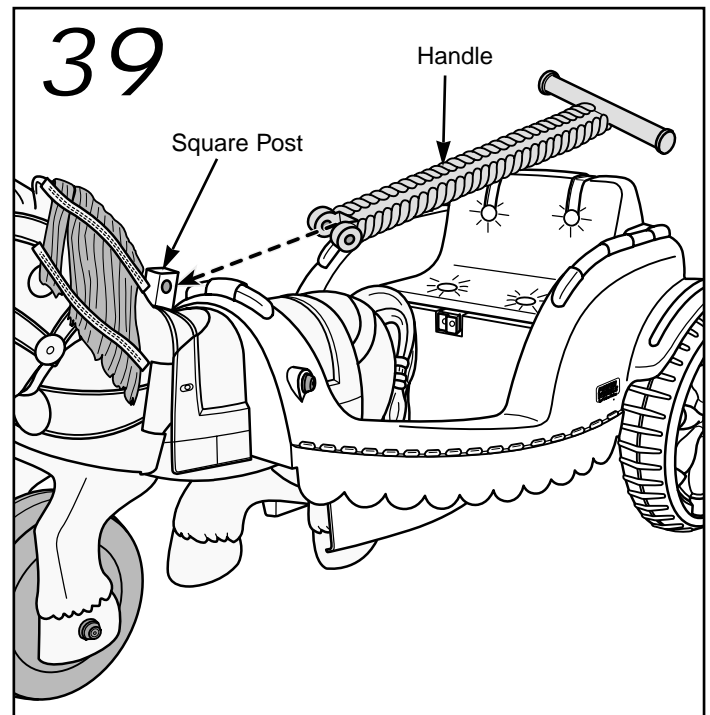
## 38



- Position a .437 cap nut on a flat surface and fit one end of the handle axle into it.
- Tap the other end of the handle axle with a hammer to secure the cap nut on the end of the handle axle.

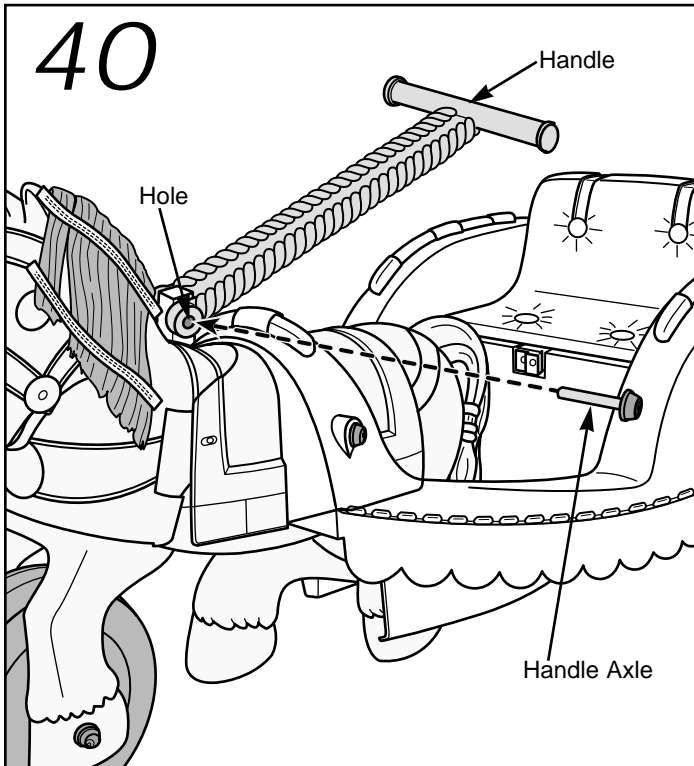
*Hint:* You may want to position the cap nut on a scrap block of wood to protect the assembly surface.

## 39

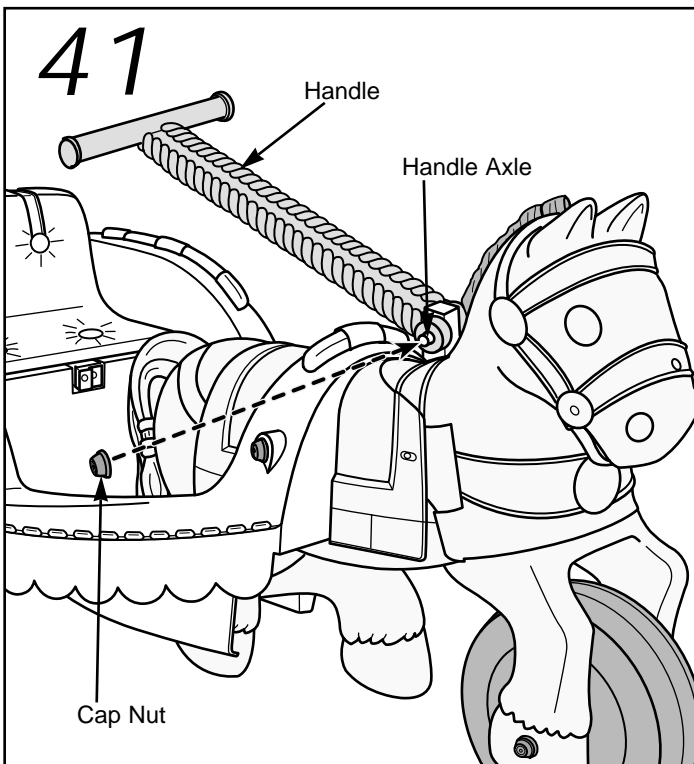


- Turn the handle so the **rope design faces up**.
- While holding the handle flat, as shown, slide the handle onto the **back of the square post**.
- Align the holes in the handle with the holes in the square post. **Do not slide the handle down onto the top of the square post, it will not fit properly on the post.**

# Assembly



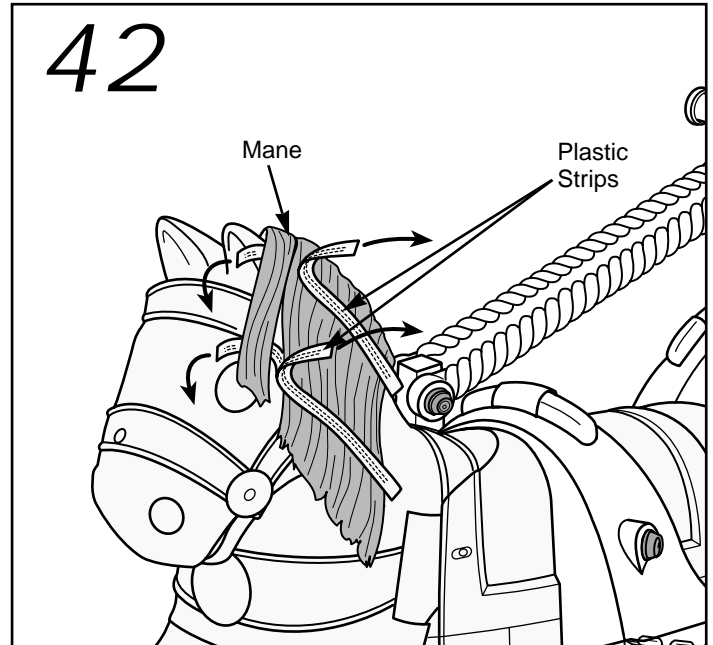
- While continuing to hold the handle flat, slide the handle axle through the hole in handle, the holes in the square post and out through the hole on the other side of the handle.



- Fit a .437 cap nut onto end of the handle axle.
- Tap the cap nut with a hammer to secure it on the handle axle.

- Pull on the .437 cap nut to make sure the handle is secure.

**Hint:** You may want the help of another adult to support the handle axle while you tap the cap nut with a hammer.



- Remove the plastic strips from the mane.
- Dispose of the plastic strips properly.
- Arrange the shorter hair over the forehead to form the pony's bangs.

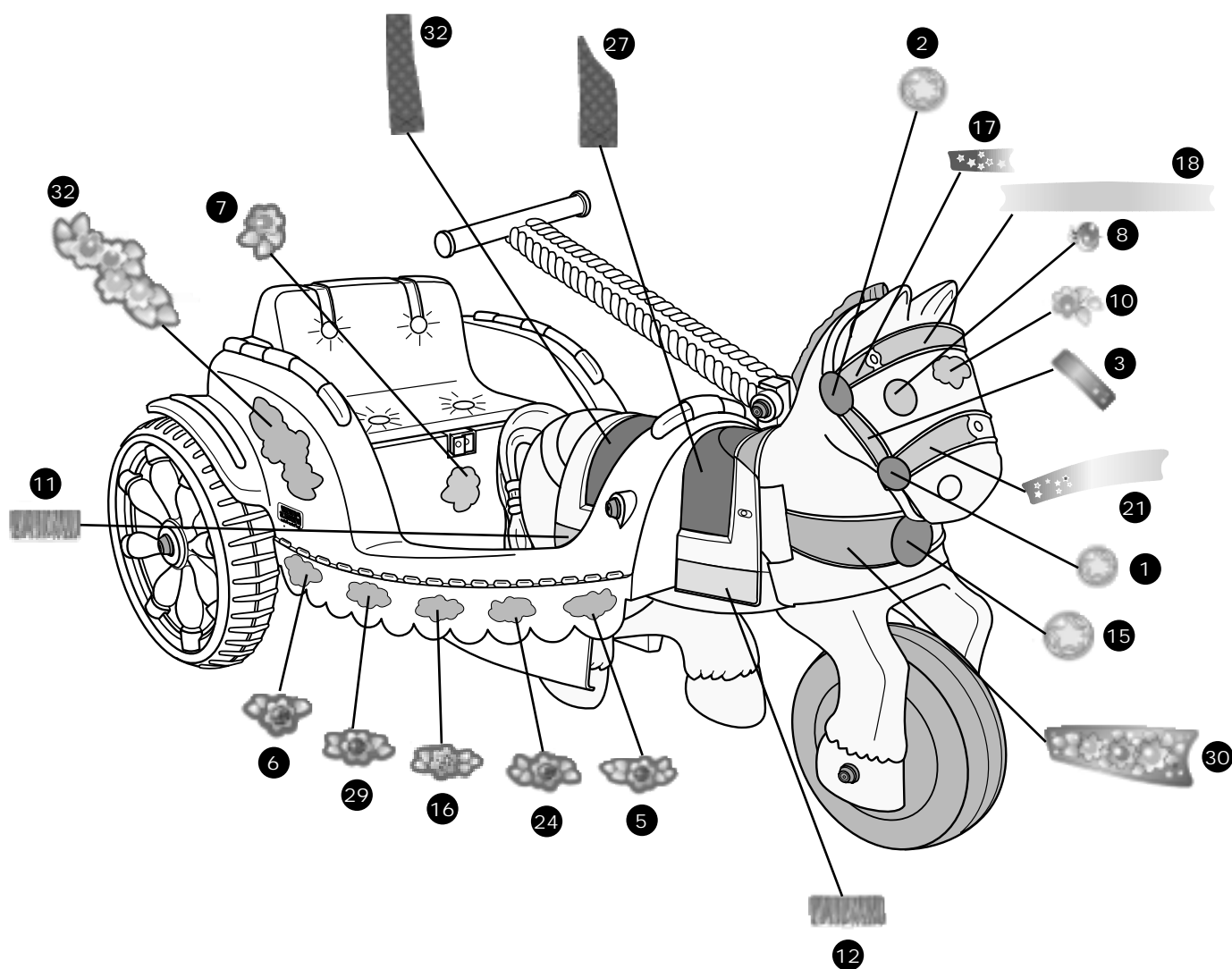
# G

## Label Decoration

Proper label application will help to keep the labels looking their best! When applying labels, keep the following guidelines in mind:

- Wash your hands before applying the labels.
- Before applying the labels, wipe the surface of the vehicle with a clean, dry cloth to remove any dust or oils.
- Place the labels exactly as shown in the illustrations.
- For best results, avoid repositioning a label once it has been applied to the vehicle.
- **After applying a label, rub the label firmly with a clean, dry cloth to make sure the label is adhered to your vehicle. Start at the center of a label, and smooth towards the outer edges to remove air bubbles.**

# 1

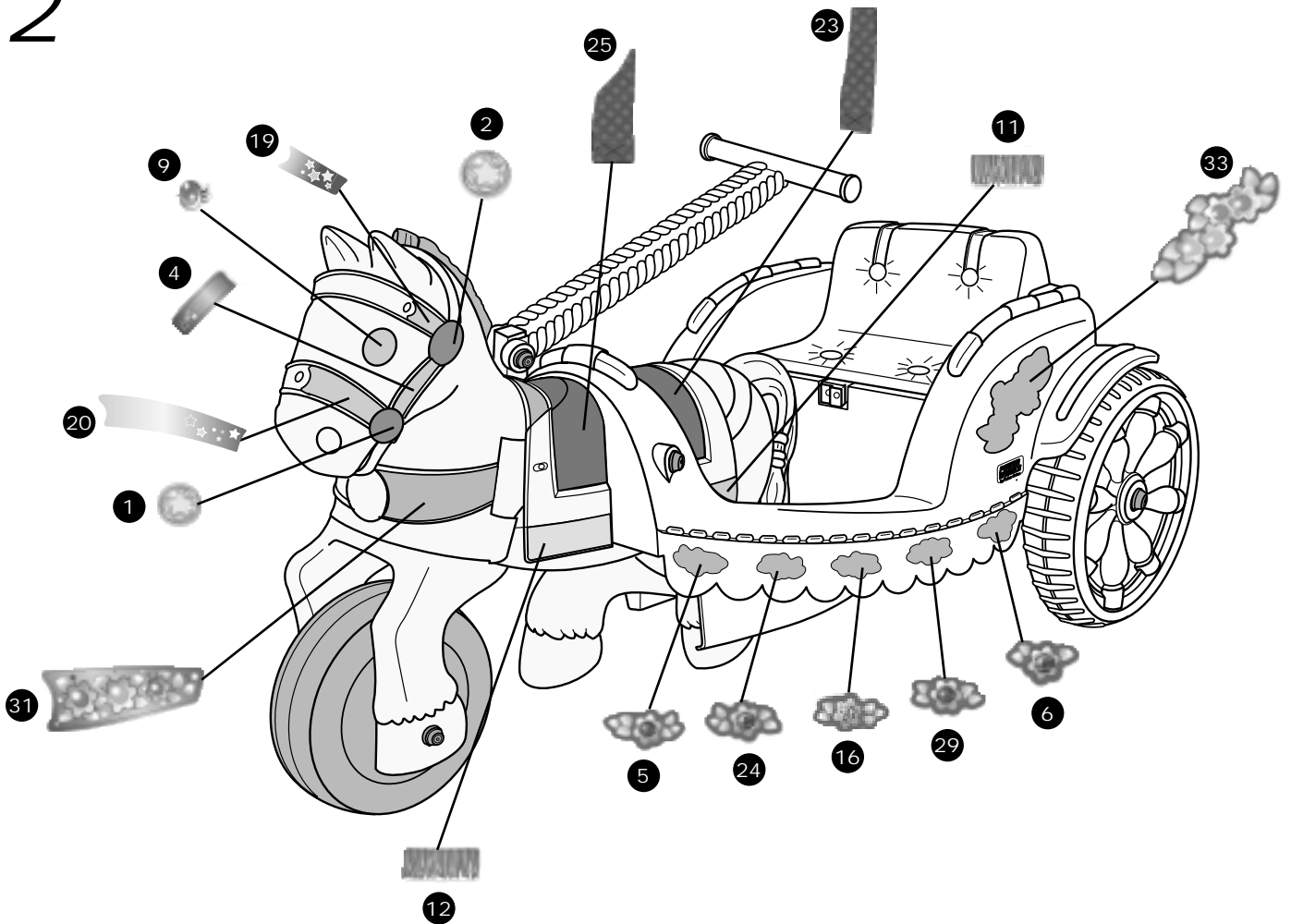


Right Side



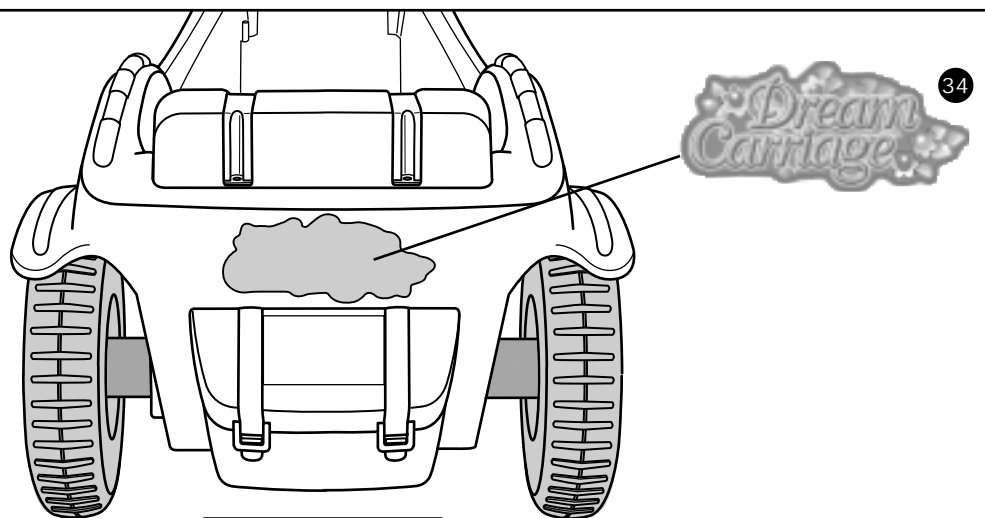
# Label Decoration

2



Left Side

3

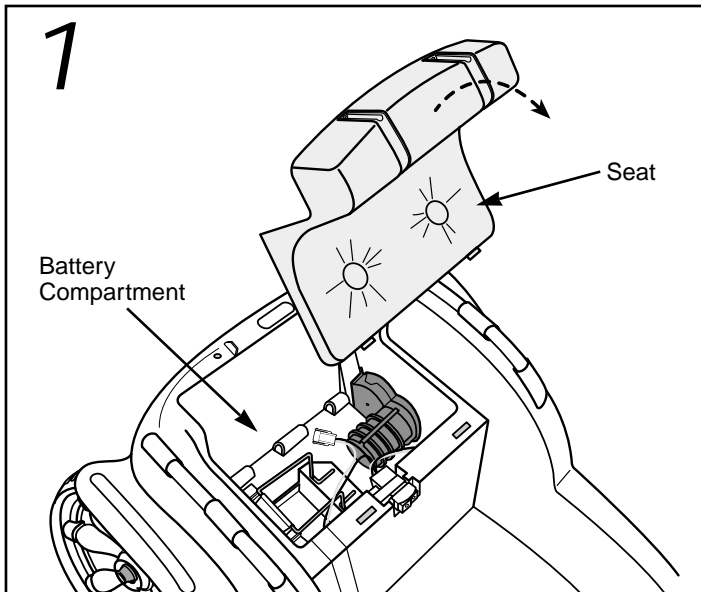


Rear View

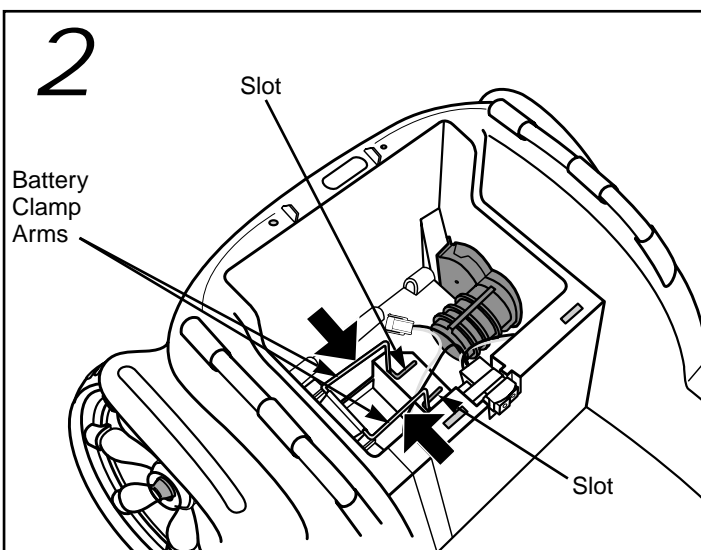
# H

## Battery Installation

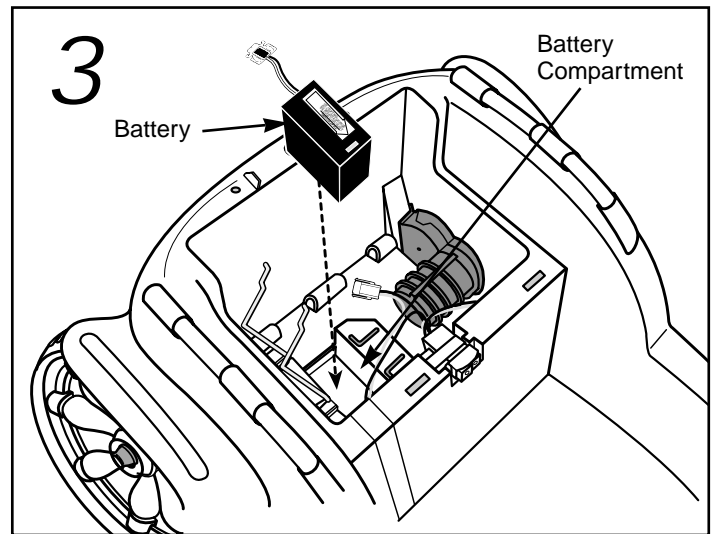
**Important Note:** Use only a Power Wheels® Type H 6 volt battery with a Power Wheels® 25 Amp fuse installed. Use of any other battery or fuse will damage your vehicle. Make sure that you charge the battery for at least 18 hours using the enclosed Power Wheels® 6 Volt charger before operating your vehicle for the first time. Charge the battery for at least 14 hours after each use of the vehicle. Never charge the battery longer than 30 hours. Failure to follow these instructions may damage your battery and will void your warranty.



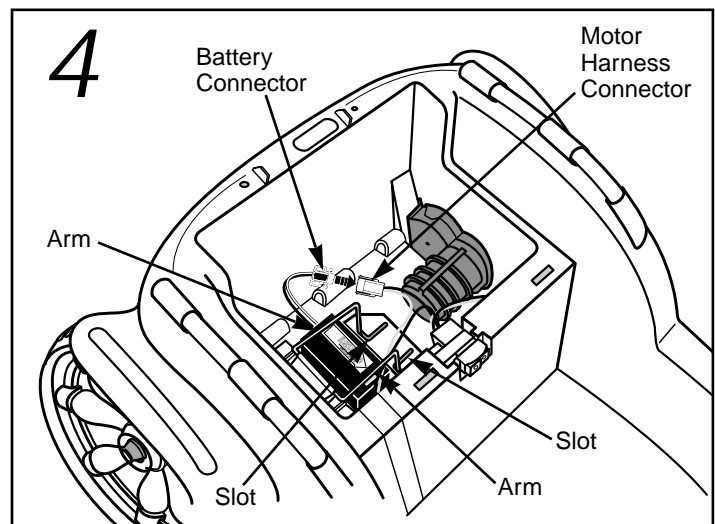
- The battery compartment is located under the seat of your vehicle.
- Using a Phillips screwdriver, loosen the screws in the back of the seat (the screws will remain in the seat). Remove the seat from the vehicle body.



- Locate the battery clamp in the battery compartment.
- Squeeze the battery clamp arms together and pull up. The battery clamp arms will be released from the slots in the vehicle body.



- Place the Power Wheels® 6 volt battery upright in the battery compartment as shown.



- Squeeze the battery clamp arms together and lower the battery clamp over the battery. Be sure the battery clamp arms fit into the slots in the vehicle body.
- Plug the battery connector and motor harness connector together. Push firmly to snap the two connectors together.
- Re-assemble the seat to your vehicle.
- Insert the tabs on the front of the seat into the slots inside the vehicle body.
- Tighten the screws with a Phillips screwdriver. Do not over-tighten.

# I

## Battery Care and Disposal

### Care

**If a battery leak develops**, avoid contact with the leaking acid and place the damaged battery in a plastic bag. See information below for proper disposal.

**If acid comes in contact with skin or eyes**, flush with cool water for at least 15 minutes and call a physician.

**If acid is internally ingested**, give water, milk of magnesia or egg whites immediately. Never give emetics or induce vomiting. Call a physician.

- Charge a new battery for at least 18 hours before first use. Never charge the battery longer than 30 hours. Overcharging or undercharging the battery may shorten battery life and decrease vehicle running time.
- After the first charge, recharge the battery for at least 14 hours after each use. Never charge the battery longer than 30 hours. Charge the battery after each use, regardless of how long the vehicle was used.
- The battery must be upright while charging.
- Do not allow the battery to run down completely before charging.
- Charge the battery before storing the vehicle.
- Charge the battery at least once per month, even if the vehicle has not been used.
- Leaving the battery in a discharged condition will ruin it.
- Always remove an exhausted battery from the vehicle. Battery leakage and corrosion can damage the vehicle.
- Do not store the battery on a surface which could be damaged by the acid contained inside the battery. Take precautions to protect the surface on which you store the battery.
- Do not store the battery in temperatures above 75° F or below -10° F.
- Prevent the battery from moving freely inside the battery compartment. Always use the battery clamp to secure the battery in the battery compartment.
- Examine the battery, charger and their connectors for excessive wear or damage each time you charge the battery. If damage is detected, do not use the charger or the battery until you have replaced the worn or damaged part.

## Battery Care and Disposal

### Disposal



- Your Power Wheels® battery is a sealed lead-acid battery. It must be recycled or disposed of in an environmentally sound manner.
- Do not dispose of a lead-acid battery in your regular, household trash. The incineration, landfilling or mixing of sealed lead-acid batteries with household trash is prohibited by law in most areas.
- Return exhausted batteries to a federal or state approved lead-acid battery recycler, such as a Power Wheels® authorized service center, or a local seller of automotive batteries. For the service center location nearest you, please call 1-800-348-0751. Contact your local waste management officials for other information regarding the environmentally sound collection, recycling and disposal of lead-acid batteries. If you live in the State of Florida or Minnesota, it is prohibited by law for anyone to throw away lead-acid batteries in the municipal waste stream.

# J

## Caring For Your Vehicle

- Check all screws, retainers and their protective coverings regularly and tighten as required. Check plastic parts on a regular basis for cracks or broken pieces.
- During snowy or rainy weather, the vehicle should be stored inside or under a protective cover. Remember to charge the battery at least once per month while your vehicle is not in regular use.
- Avoid operating the vehicle in wet or snowy conditions, and do not spray the vehicle with a hose. Do not wash the vehicle with soap and water. Water or moisture in the motors or electrical switches can cause them to corrode, and could cause switch or motor failure.
- Avoid operating the vehicle on sand, loose dirt or gravel. Sand, loose dirt or gravel in the motors or electrical switches can cause them to jam, and could cause switch or motor failure.
- The vehicle can be wiped down with a soft, dry cloth. For a shiny finish, you can wipe plastic parts with a non-wax furniture polish applied to a soft-cloth. Do not use automotive wax. Do not use soap and water or spray the vehicle with a hose.
- To ensure that your vehicle stays in good operating order, we recommend that you periodically have your vehicle checked by a Power Wheels® authorized service center. See page 33 for the list of authorized service centers or call **1-800-348-0751** for the location of the authorized service center nearest you.

## RIDING HAZARD

**WARNING****Prevent Injuries and Deaths**

- Direct Adult Supervision Required.
- Keep Children Within Safe Riding Areas

These areas must be:

- away from swimming pools and other bodies of water to prevent drownings.
- generally level to prevent tipovers.
- away from steps, driveways, roads and alleys.

**Teach Safety Rules to Children**

While children can quickly develop the skill necessary to drive this vehicle, it is important to remember that their judgment skills are still very immature. Unsupervised driving by children can lead to serious injury. Before children use this vehicle, an adult should carefully evaluate the driving area as well as the children's skill level and ability to drive this vehicle safely. Children are not always able to recognize or anticipate hazards, even when they have been taught about them. **THERE IS NO ACCEPTABLE SUBSTITUTE FOR DIRECT ADULT SUPERVISION.**

Teach appropriate safety rules to your child before allowing operation of this vehicle. These rules should also be reviewed with neighborhood children or other playmates who want to drive this vehicle.

**Riding Rules**

**Make sure children know and follow these rules for safe driving:**

1. Always sit on the seat.
2. Always wear shoes.
3. Only 1 (one) rider at a time. A child who is not sitting on the seat or who is standing on the vehicle could fall off, cause a tip-over or block the driver's view. A child could be seriously injured.
4. Do not allow any child to drive the vehicle in the street or near moving (motorized) vehicles.
5. Do not allow any child to drive near bodies of water (such as pools or creeks), obstructions (such as furniture, low tree limbs or play equipment), or drop-offs (such as stairs or decks).
6. Do not allow any child to drive the vehicle in the dark. A child could encounter unexpected obstacles and have an accident. Operate the vehicle only in the daytime or a well-lit area.

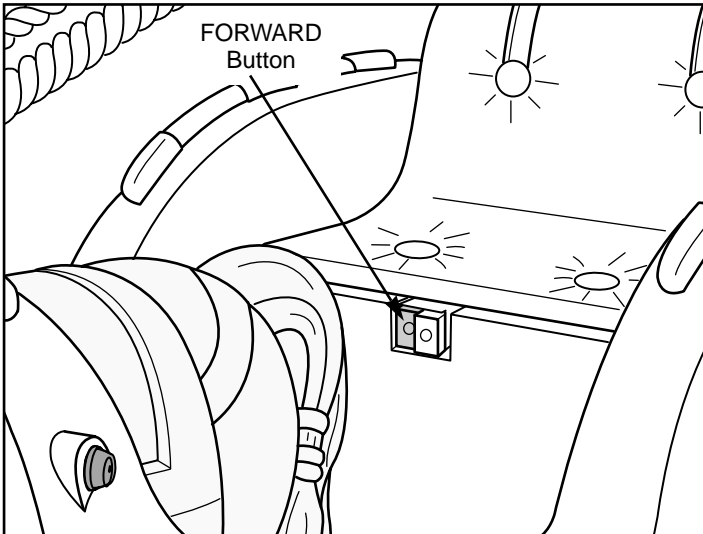
7. Do not allow your child to drive on sloped or inclined surfaces. **Restrict your child's driving to generally level ground ONLY!**
8. Do not allow your child to drive down or across a steep slope.
  - The vehicle may gain unsafe speed, even if the pedal is released to stop.
  - The vehicle may tilt and tip over.
  - The wheels could lose traction, causing the vehicle to slip.
9. Do not allow your child to drive up steep inclines. The motor may stop and the vehicle could roll backwards at an unsafe speed.
10. Never put anything near any moving parts. Rotating parts such as motors, gear boxes and wheels can snag fingers, hair, etc., causing serious injury. Do not allow operation of the vehicle when it is on its side or in an upside-down position.
11. Do not operate the vehicle near flammable vapors (gasoline, paint thinner, acetone, liquid wax, etc.). The vehicle's electrical switches, like most electrical switches, emit an internal spark when first turned on or turned off. The presence of flammable liquids or vapors could cause an explosion or a fire. Keep all flammable products in tightly sealed containers and away from the vehicle.
12. Do not allow a child to operate the vehicle without direct adult supervision. To prevent unsupervised use of the vehicle, disconnect the motor harness from the battery when the vehicle is not in use.

# L

## How to Operate Your Vehicle

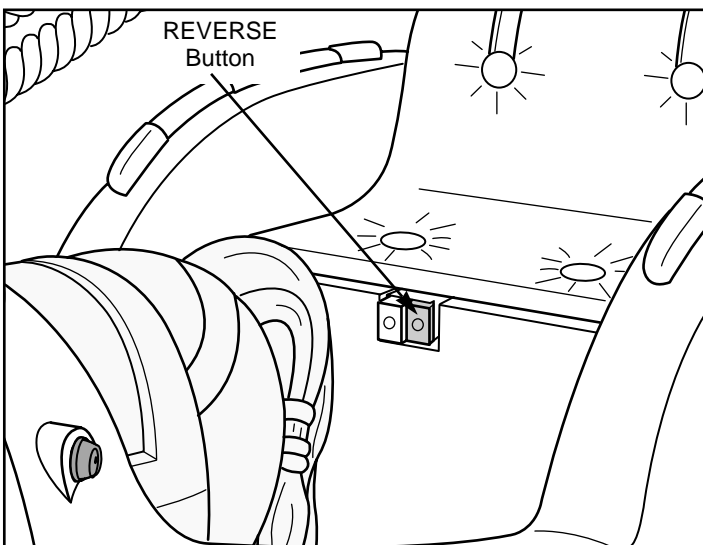
As assembled, your vehicle is ready to go in low speed (3 mph, maximum). When your child is ready to drive in gallop mode, follow the instructions to change your vehicle to front wheel galloping mode.

### Beginner Use - Low Speed Drive



- Press the **FORWARD** button below the seat.
- Press the foot pedal. The vehicle will drive forward at a maximum of 3 mph.

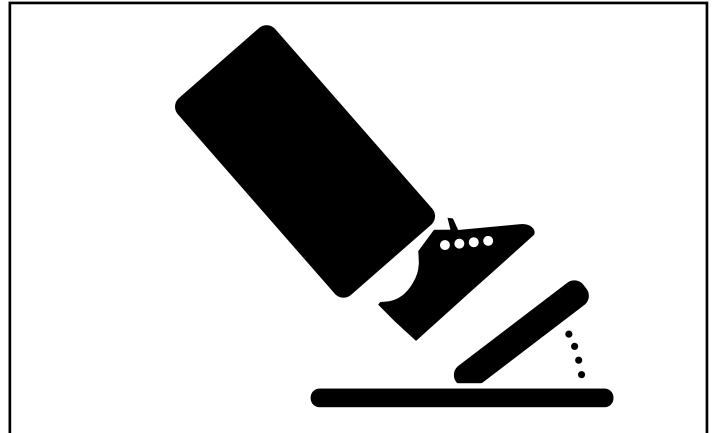
### To Back Up



**IMPORTANT!** To avoid damaging the motors and gears, be sure to stop the vehicle before switching from forward to reverse.

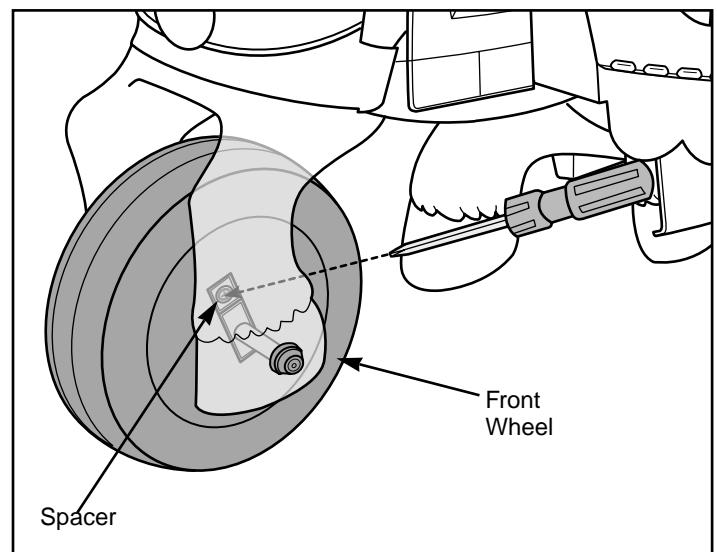
- Press the **REVERSE** button below the seat.
- Press the foot pedal. The vehicle will back up at a maximum of 3 mph.

### To Stop



- Your vehicle has a patented, electronic braking system that automatically stops the vehicle when your child's foot is lifted from the pedal.
- Make sure your child is comfortable with steering the vehicle and automatically knows how to stop.

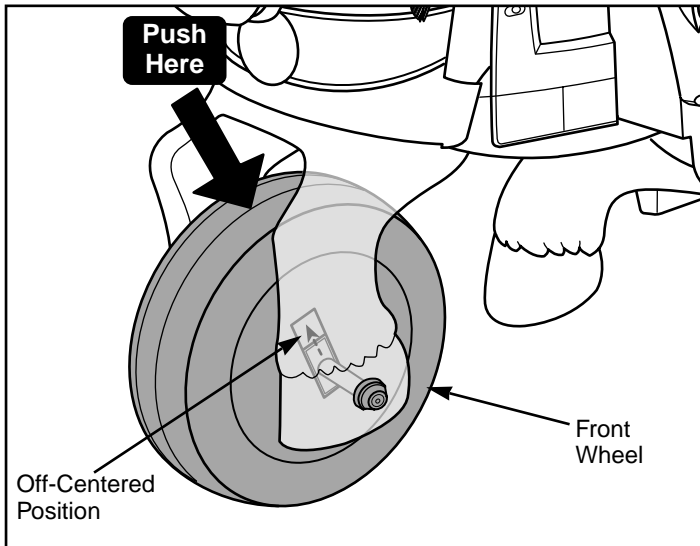
### Advanced Use - Galloping Mode



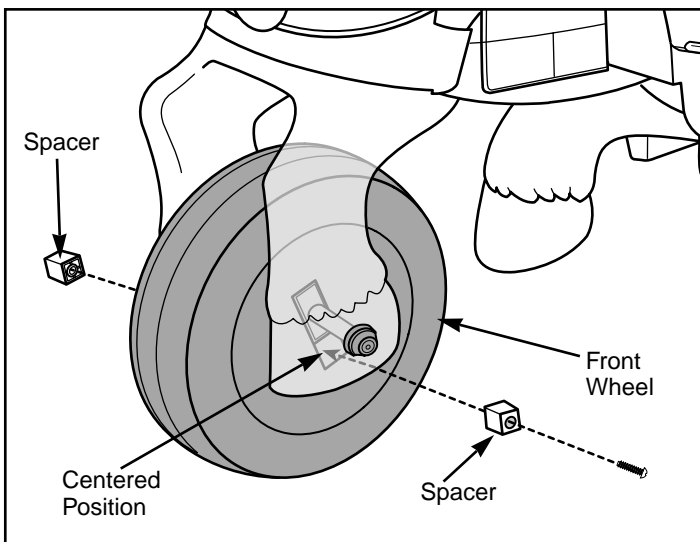
#### Changing to Front Wheel Gallop Mode

- Locate the spacer in the front wheel.
- Loosen the spacer screw with a Phillips screwdriver.
- Remove the screw from the spacer.
- Remove the spacer from the opening in the front wheel.

# How to Operate Your Vehicle



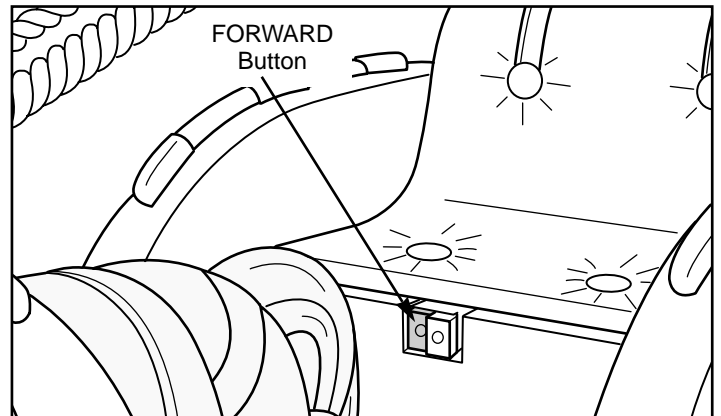
- Push the front wheel down to slide the front axle and the front wheel to the off-center position.



- Re-insert the spacers into the opening in the center of the front wheel.

**Hint;** Make sure the spacer is positioned toward the center of the opening in the front wheel.

- Insert the screw into the hole in the spacer. Tighten the screw with a Phillips screwdriver. Do not over-tighten.



- Press the FORWARD button below the seat.
- Press the foot pedal. The vehicle will drive forward in gallop mode at a maximum of 3 mph.

# M

## Bumper-to-Bumper\* Limited Warranty

**\*One year limited warranty from the date of purchase on the Power Wheels® vehicle.**

**Six month limited warranty on the 6 volt battery.**

For the original purchaser, this one year limited warranty covers the Power Wheels® ride-on vehicle (purchased from Power Wheels®) against defects in materials and workmanship. The six month limited warranty applies only to the 6 volt battery included by Power Wheels® with the original purchase of the vehicle.

This warranty covers normal use and does not cover the Power Wheels® vehicle or battery if damaged by unreasonable use, neglect, accident, abuse, misuse, improper service or other causes not arising out of defects in materials or workmanship. Evidence of any attempt at consumer repair will void this warranty. This warranty does not cover, and is intended to exclude, any liability on the part of Power Wheels®, whether under this warranty or implied by law or any indirect or consequential damages for breach of warranty. Some states do not allow the exclusion or limitation so this limitation may not apply to you.

Should you need service or assistance with your vehicle during the warranty period, **do not return the vehicle to the store.** Power Wheels® has provided a nationwide network of authorized service centers. Please refer to the list in this manual. Power Wheels® is continually expanding our Authorized Service Center Network. If there is not an authorized service center in your area, please call Consumer Relations for information, **1-800-348-0751.**

**THIS WARRANTY GIVES YOU SPECIFIC LEGAL RIGHTS, AND YOU MAY ALSO HAVE OTHER RIGHTS WHICH MAY VARY FROM STATE TO STATE.**

**PLEASE SAVE YOUR ORIGINAL SALES RECEIPT.**

# N

## Problems and Solutions Guide

**IMPORTANT!** If you experience a problem with your vehicle, first check the Problems and Solutions Guide below. If you still experience a problem, please contact Power Wheels® Consumer Relations, toll-free at **1-800-348-0751** between 8 AM and 6 PM (EST) Monday through Friday. Or, contact your local Power Wheels® authorized service center. For the location nearest you, please refer to the Authorized Service Center list beginning on page 33.

Problem	Possible Cause	Solution
Vehicle does not run	Undercharged battery	Charge the battery. A new battery should have been charged for at least 18 hours before using the vehicle for the first time. After first-time use, recharge the battery for at least 14 hours after each use. Never charge the battery longer than 30 hours.
		Check all connectors. Make sure the charger connector is plugged into the battery, and that the charger is plugged into the wall.
		Make sure power flow to the wall outlet is "ON".
	Charger is not working	There is no sure way to tell if your charger is working unless you have a volt meter. If you suspect there is a problem with your charger, contact your local Power Wheels® authorized service center. They can test your charger for you.
	Wrong type or improperly installed fuse	Make sure that the battery has a properly installed Power Wheels® 25 amp fuse before charging. Do not substitute parts.
	Blown fuse	Make sure that the fuse in the battery is in good condition. Replace a blown fuse with a Power Wheels® 25 amp fuse. Do not substitute parts.
	Loose wire or loose connectors	Check all wires and connectors. Make sure the motor harness connector is plugged into the battery, and that there are no loose wires around the motors.
	Dead battery	If your battery is old or if you have not followed Battery Care instructions, your battery may be dead. If you are unsure whether or not the battery is dead, you can have it tested at your local Power Wheels® authorized service center.
Vehicle was running but suddenly stopped	Electrical switch damage	The electrical switches can become corroded due to exposure to water or moisture, or can jam due to loose dirt, sand or gravel. Contact your local Power Wheels® authorized service center for diagnosis and repair.
	Motor damage	Contact your local Power Wheels® authorized service center for diagnosis and repair.
	Loose wire or loose connectors	Check all wires and connectors. Make sure the motor harness connector is plugged into the battery, and that there are no loose wires around the motors.
	Wrong type or improperly installed fuse	Make sure that the battery has a properly installed Power Wheels® 25 amp fuse installed before charging. Do not substitute parts.
	Blown fuse	Make sure that the fuse in the battery is in good condition. Replace a blown fuse with a Power Wheels® 25 amp fuse. Do not substitute parts.
	Vehicle is overloaded	Make sure you do not overload the vehicle by allowing more than 1 rider at one time, by exceeding the 65 lbs (30 kg) maximum weight capacity, or by towing objects behind the vehicle.
	Driving conditions are too stressful	Use only on generally level ground. Extreme temperatures can also affect run time.

# Problems and Solutions Guide

Problem	Possible Cause	Solution
Short run time (Less than 1 - 3 hours per charge)	Undercharged battery	Charge the battery. A new battery should have been charged for at least 18 hours before using the vehicle for the first time. After first-time use, recharge the battery for at least 14 hours after each use. Never charge the battery longer than 30 hours.
		Check all wires and connectors. Make sure the charger connector is plugged into the battery, and that the charger is plugged into the wall.
		Make sure power flow to the wall outlet is "ON".
	Overcharged battery	Do not charge the battery longer than 30 hours. If you suspect that your battery is damaged as a result of overcharging, contact your local Power Wheels® authorized service center. They can test your battery for you.
	Battery is old and will not accept full charge	Even with proper care, a rechargeable battery does not last forever. Average battery life is 1 to 3 years depending on vehicle use and use conditions. Replace the battery with a new Power Wheels® 6 volt rechargeable battery. Do not substitute parts.
	Wrong type or improperly installed fuse	Make sure that the battery has a properly installed Power Wheels® 25 amp fuse installed before charging. For best performance, do not use substitute parts.
Vehicle runs sluggishly	Undercharged battery	Charge the battery. A new battery should have been charged for at least 18 hours before using the vehicle for the first time. After first-time use, recharge the battery for at least 14 hours after each use. Never charge the battery longer than 30 hours.
		Check all connectors. Make sure the charger connector is plugged into the battery, and that the charger is plugged into the wall.
		Make sure power flow to the wall outlet is "ON".
	Battery needs charging	After each use, the battery needs charging.
	Wrong type or improperly installed fuse	Make sure that the battery has a properly installed Power Wheels® 25 amp fuse installed before charging. For best performance, do not use substitute parts.
	Battery is old and will not accept full charge	Even with proper care, a rechargeable battery does not last forever. Average battery life is 1 to 3 years depending on the vehicle use and use conditions. Replace the battery with a new Power Wheels® 6 volt rechargable battery. Do not substitute parts.
Sometimes the vehicle doesn't run, but other times it does	Vehicle is overloaded	Make sure you do not overload the vehicle by allowing more than one rider at one time, by exceeding the 65 lb. maximum weight capacity, or by towing objects behind the vehicle.
	Driving conditions are too stressful	Use only on generally level ground.
	Loose wire or connector	Check all wires around the motors and all connectors to make sure they are tight.
	Motor or electrical switch damage	Contact your local Power Wheels® authorized service center for diagnosis and repair.



# Problems and Solutions Guide

Problem	Possible Cause	Solution
When the foot pedal is pressed, the vehicle won't run without a push	Loose wire or connector	Check all wires around the motors and all connectors to make sure they are tight.
	"Dead Spot" on motor	Contact your local Power Wheels® authorized service center for diagnosis and repair.
Loud clacking or grinding noise from a motor-gearbox	Broken gears	Contact your local Power Wheels® authorized service center for diagnosis and repair.
Charger gets warm during use	It is normal for some chargers to get warm during use and is not reason for concern.	No action required.
		If your charger does not get warm during use, it does not mean that it is not working properly.
Battery makes a sizzling or gurgling noise when charging	It is normal for some battery to make noise and swell slightly while charging and is not reason for concern.	No action required.
		If your battery does not make noise or swell slightly during charging, it does not mean that it is not accepting the charge.

If, after reviewing the Problems and Solutions Guide, the vehicle still fails to operate, please contact your nearest authorized service center or contact Power Wheels® Consumer Relations toll-free at 1-800-348-0751.





# Authorized Service Centers

## NORTH DAKOTA

**FARGO** - General Parts & Supply Co., 10 S. 18th Street, 58103, (701) 235-4161, (800) 279-9987

## OHIO

**AKRON** - Advanced Appliance Service Company, 73 W. Exchange Street, 44308, (330) 762-8968  
**CANTON** - Appliance Parts Co., 1267 Duebner Avenue, SW, 44706, (330) 453-8077  
**CINCINNATI** - H&S Service, 458 Cincinnati Batavia Pike, 45244, (513) 528-0808  
**CINCINNATI (SILVERTON)** - Brand Service Center, Inc., 6944 Plainfield Road, 45236, (513) 793-1170  
**CLEVELAND** - Majors Appliance, 5845 Turney Road, 44125, (216) 663-4650  
**CLEVELAND (MENTOR)** - Lake Erie Lawn & Garden, 7833 Munson Rd., 44060, (216) 257-9000  
**CLEVELAND (PARMA)** - Majors Appliance, 5785 Ridge Road, 44129, (216) 884-7200  
**CLEVELAND (WESTLAKE)** - Philips Consumer Electronics, 24090 Detroit Avenue, 44145, (216) 899-2040, (800) 331-7037  
**DAYTON** - Layer Electric, 603 South Ludlow Street, 45402, (937) 224-9608  
**DAYTON (NEW CARLISLE)** - Ballweg Do-It Center, 3300 South Dayton, Lakeview Rd., 45344, (937) 849-1306  
**LIMA** - Crouse Lumber Do-It Center, 333 E. Market Street, 45801, (419) 229-9070, (800) 826-9663  
**NEW BOSTON** - True Value Toy Town, Rt. 52 & 139, 45662, (614) 456-5704  
**STRYKER** - Short's Hardware, 115 N. Depot Street, 43557, (419) 682-4231  
**TOLEDO** - Broadway Sales and Appliance Repair, 1621 Broadway, 43609, (419) 241-9731, (800) 436-5415  
**YOUNGSTOWN** - O'Connor's, 3224 Market Street, 44507, (330) 782-4705

## OKLAHOMA

**OKLAHOMA CITY** - Brand Service Center, 538 N. Pennsylvania Avenue, 73107, (405) 235-0583  
**TULSA** - H.L. Moss, Inc., 1714 E. 15th Street, 74104, (918) 744-1305, (800) 248-5948

## OREGON

**PORTLAND** - Appliance Repair Central, 3203 N. E. Sandy Blvd., 97232, (503) 234-7339, (800) 588-7339

## PENNSYLVANIA

**ALTOONA** - Frye's Sweeper & Sewing Center, Inc., 1400 Valley View Boulevard, 16602, (814) 943-5001, (800) 640-1308  
**HARRISBURG** - C.A. Juillard, Inc., 2301 North Seventh Street, 17110, (717) 233-3488, (800) 633-3488  
**JOHNSTOWN** - Cambria True Value Hardware, West Hills Square, Goucher Street, 15905, (814) 255-4752  
**KINGSTON** - Vac-Way Appliance & Service, 595 Market Street, 18704, (717) 288-4508  
**LITTLESTOWN** - Machinery Services, 830 West King Street, 17340, (717) 359-5051  
**MOSCOW** - Vac-Way Appliance & Service, RR #6 Box 6237, 18444, (717) 842-4668  
**ORANGEVILLE** - Hess Do-It Center & Market, Route 487, Box 4 M, 17859, (717) 683-5162  
**PHILADELPHIA** - Appliance Care/Service Corp., 6407 Rising Sun Ave., 19111, (215) 725-3112  
**PHILADELPHIA (COLLINGDALE)** - J.F. Kenney Electric, 920 MacDade Boulevard, 19023, (610) 534-7373  
**PITTSBURGH** - Ferry Electric Service Co., 7498 McKnight Road, 15237, (412) 364-3403  
**PITTSBURGH** - Ferry Electric Service Co., 140 Clairton Blvd., 15236, (412) 653-6004  
**READING** - Electric Repair Co., 502-504 North 9th Street, 19604, (610) 376-5444, (800) 422-8171 (PA only)  
**SCRANTON** - Vac-Way Appliance and Service, 601 Cedar Avenue, 18505, (717) 343-1121  
**SHAMOKIN DAM** - Willard Battery Outlet, 138 S. Old Trail, 17876, (717) 743-5383  
**TROY** - Hoover Hardware, 9 Canton, 16947, (800) 251-2156, (717) 297-3445  
**WASHINGTON** - Murphy Family Inc., 585 East National Pike, 15301, (412) 225-0324  
**WILKES-BARRE** - Walter Hardware DO-IT Center, 57 N. Welles Street, 18702, (717) 823-1406  
**YORK** - Parcel Plus, 2549 E. Market Street, York Market Place, 17402, (717) 757-1875

## PUERTO RICO

**GATINEAU** - Les Equipements Brabant & Fils, 776B Blvd. Maloney, J8P 1G6, (819) 663-2526  
**HATILLO** - Tropical Parts Service, P.O. Box 1335, Road 130 KM 8.5, 00659, (787) 898-6474  
**MAYAGUEZ** - Cardona Appliance Service, 8 San Vicente Sreet, 00680, (787) 832-8366  
**MAYAGUEZ** - Melendez Home Appliance Repair, Calle Post 319 Sur, 00680, (787) 832-5225  
**PONCE** - Ferreteria Vivian, Centro Comercial, Los Caobos #7, 00731, (787) 840-0677  
**PUERTO NUEVO** - Buckeye Service, 1013 Jesus T. Pinero Avenue, 00920, (787) 782-6175

## RHODE ISLAND

**PROVIDENCE** - Marshall Electric Co., 200 Broad Street, 02903, (401) 331-4482

## SOUTH CAROLINA

**CHARLESTON HEIGHTS** - Dorchester Electric Service, 3575 Dorchester Avenue, 29405, (803) 747-5221  
**COLUMBIA** - Authorized Appliance Servicer, 1811 Taylor Street, 29202, (803) 254-8414  
**DARLINGTON** - Hobbies and More, 1570 South Main Street, 29532, (803) 393-0355, FAX (803) 393-8171  
**GREENWOOD** - Bikes & Boards & Mopeds, 203A Montague Avenue, 29646, (864) 229-2453  
**SENECA** - Seneca Micronics, 110 East North First, 29678, (864) 882-6593  
**SPARTANBURG** - Boiling Springs Hardware, 3124 Boiling Springs Rd, 29303, (864) 578-1852  
**VARNVILLE** - P&S Small Engine & Variety Shop, 105 Carolina Avenue, West, 29944, (803) 943-9141

## TENNESSEE

**CHATTANOOGA** - Light Electric, 732 East 11th Street, 37403, (615) 267-9224  
**KNOXVILLE** - Appliance & Electric Service Company, 4816-M Kingston Pike, 37919, (423) 588-5395, (800) 585-5395  
**KNOXVILLE** - Authorized Appliance Service Center, 1206 North Central Street, 37917, (423) 524-3376  
**MEMPHIS** - Camp Electric Co., 647 Madison Avenue, 38103, (901) 527-7543, (800) 238-7345  
**NASHVILLE** - Webb's Appliance Service Center, Inc., 1519 Church Street, 37203, (615) 329-4079, (800) 899-4079

## TEXAS

**ABILENE** - Metro Small Appliance Service Co., 141 S. Clyde, 79605, (915) 672-1853  
**AMARILLO** - Reid's Appliance Service, Inc., 906 Georgia, 79102, (806) 373-8812  
**ANTHONY** - Villarreal & Sons Elec., 512 S. Third Street, 79821, (915) 886-3362  
**AUSTIN** - Harrell Supply and Service, Inc., 5435 Burnet Road, 78756, (512) 451-6464, (800) 332-7250 (TX only)  
**AUSTIN** - Harrell Supply and Service, Inc., 1409 West Oltorf, 78704, (512) 442-5966  
**AUSTIN (ROUND ROCK)** - Harrell Supply, 907c Interstate Highway 35, 78664, (512) 388-0866  
**CORPUS CHRISTI** - Brand Appliance & Microwave, 2751 South Staples, 78404, (512) 854-1851  
**DALLAS** - Pearsol Appliance Co., 3127 Main Street, 75226, (214) 939-0930  
**DALLAS** - All Type Sales and Service Co., Inc., 2835 Irving Blvd., 75207, (214) 638-1170, (800) 717-1170  
**FT. WORTH** - Ft. Worth Shaver and Appliance Center, 1012 West 7th Street, 76102, (817) 335-9970  
**HOUSTON** - Brand Service Center, 5727 Richmond Avenue, 77057, (713) 782-8910  
**HOUSTON** - Brand Service Center, 1970 FM 1960, 77090, (713) 537-7795  
**LAREDO** - Rubio Electric, 1719 San Bernardo, 78040, (210) 722-3908  
**LONGVIEW** - Toys and Things, 918 NW Loop 281, 75604, (903) 759-3939  
**LUBBOCK** - Minter's, 4409 50th Street, 79414, (806) 799-3170  
**LUFKIN** - STS Audio and Video, 1505 South First Street, 75901, (409) 639-4529  
**MC ALLEN** - All-In-One Repair Shop, 2313 Lark Avenue, 78504, (210) 682-8858  
**MIDLAND** - Midland Tool Specialty, 918 South Main, 79701, (915) 682-4647, (800) 499-0755  
**PASADENA** - Larry's TV Service, 3520 Fairmont Parkway, 77504, (713) 998-0122, (800) 244-0281  
**ROMA** - True Value Hardware, 1004 E. Highway 83, (210) 849-1322  
**SAN ANTONIO** - Brand Service Center, 7065 San Pedro Avenue, 78216, (210) 344-8577  
**SEYMOUR** - Western Auto, 211 N. Main Street, 76308, (817) 888-3980  
**TEMPLE** - Master Tech Repairs, 2819 West Avenue North, 76504, (817) 773-8991  
**VICTORIA** - Tom's Video Service, 211 East Anaqua, 77901, (512) 576-0664, (800) 433-0664  
**WICHITA FALLS** - Burke's Appliance Service, 2410 10th Street, 76309, (817) 723-6211

## UTAH

**OREM** - The Mending Shed, 1735 South State Street, 84058, (801) 225-8012, (800) 339-9297  
**SALT LAKE CITY** - Appliance Service Center, Inc., 210 East 6th South, 84111, (801) 328-9703

## VERMONT

**RUTLAND** - Appliance Service Center Ltd., 152 Woodstock Avenue, 05701, (802) 773-8917

## VIRGINIA

**FREDERICKSBURG** - Logan Electric Service, Inc., 98 Industrial Drive, 22408, (540) 898-8873  
**HARRISONBURG (PENN LAIRD)** - J.L. Maintenance & Repair, Inc., Route 2, Box 308, 22846, (540) 289-9844  
**NEWPORT NEWS** - Commonwealth Electric Shaver Sales & Service, Inc., 10105 Jefferson Ave., 23605, (757) 595-6712  
**NORFOLK** - Commonwealth Electric Shaver Sales & Service, Inc., 6612 E. Virginia Beach Blvd., 23502, (804) 461-4475  
**ROANOKE** - Commonwealth Shaver & Appliance Service, 5524 Williamson Road, NW, 24012, (540) 366-6038  
**SOUTH BOSTON** - South Boston True Value, 307 Broad Street, 24592, (804) 572-6666  
**VIENNA** - Appliance Fix-It, 8455 Tycro Road, 22182, (703) 893-1234  
**WINCHESTER** - Battery Mart of Winchester, Inc., 1 Battery Dr., 22601, (703) 655-0065  
**WOODBIDGE** - Baker's Appliance, 13314 Occoquan Road, 22191, (703) 490-5605

## WASHINGTON

**SEATTLE** - Ajax Electric, 2911 First Avenue South, 98134, (206) 622-9945  
**SEATTLE (BELLEVUE)** - Action Small Appliance Service, 1500 145th Place, SE, 98007, (206) 643-9806  
**POKANE** - SPARCO, West 45 2nd Avenue, 99204, (509) 842-8965  
**SPOKANE** - SPARCO, N. 1119 Pines Rd., 99206, (509) 922-9666

## WEST VIRGINIA

**BECKLEY** - Jerry's Detectors, Vacuum & Appl. Svc., 411 Second Street, 25801, (304) 253-3521  
**CHARLESTON** - Sneed's Vacuum & Sewing Center, 2614 7th Avenue, 25312, (304) 744-3670, (800) 245-8048 (WV only)  
**HARRISVILLE** - Western Auto, 1107 E. Main St., 26362, (304) 643-2226  
**HUNTINGTON** - Mike's Appliance and Service, 212 20th Street, 25703, (304) 522-0737  
**MARTINSBURG** - Battery Mart, 1161-3 Winchester Avenue, 25401, (304) 267-7033, (800) 464-7918  
**WHEELING** - Fast Service Center, 1058 Main Street, 26003, (304) 232-5561 (800) 874-4090

## WISCONSIN

**APPLETON** - G/Tech Electric Tool & Housewares Service, 600 W. College Ave., 54911, (414) 739-6064, (800) 400-6064  
**GREENBAY** - Kastle Carts, Inc., 2301 N. Irwin Ave., 54313, (414) 465-6121  
**LACROSSE** - Paul's Shaver Service, 1224 Caledonia Street, 54603, (608) 682-6291  
**MADISON (MONONA)** - Kiefer's Shaver and Appliance, 4511 Monona Drive, 53716, (608) 221-3322  
**MAUMETTE** - Della Do-It Center, W 1536 Highway 41, 54143, (715) 732-1768  
**MILWAUKEE** - Brand Appliance Repair, Inc., 3707 North 92nd Street, 53222, (414) 461-0440  
**MILWAUKEE** - Brand Appliance Repair, Inc., 6000 W. Oklahoma Street, 53219, (414) 541-4340

# IMPORTANT!

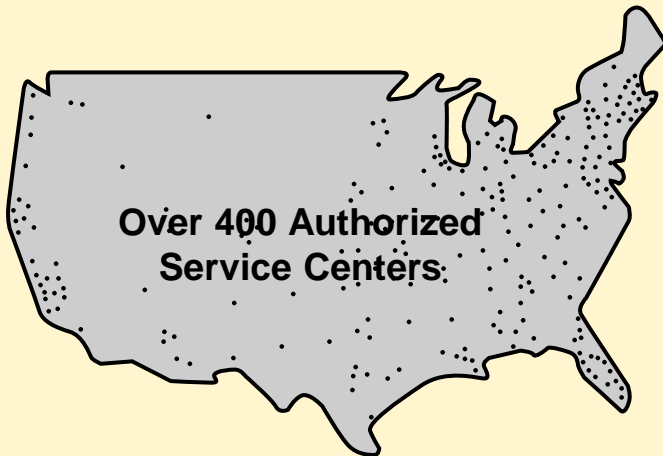
**DO NOT use this vehicle for the first time until you have charged the battery for 18 hours.**

Remember to...

- ✓ Insert a 25 amp fuse (included) into the battery.
- ✓ Charge the battery immediately after each use.
- ✓ Charge the battery once a month during storage, even if the vehicle has not been used.

Failure to follow these instructions will permanently damage your battery and void your warranty. Please refer to the Battery Care Section in this manual for more information.

## DO NOT Return your Vehicle to the Store !



Over 400 Authorized  
Service Centers:

If you are missing parts or need assistance,  
please call us toll-free:

**Power Wheels® Consumer Relations**

**1-800-348-0751**

**8 AM - 6 PM EST, Monday through Friday.**

Or contact your local Power Wheels® Authorized Service Center.



For the location nearest you, refer to the  
Authorized Service Center list in this manual.

Fisher-Price and Power Wheels by Fisher-Price are U.S. trademarks of Mattel, Inc.  
Fisher-Price, Inc., a subsidiary of Mattel, Inc., East Aurora, New York 14052 U.S.A.  
©2000 Mattel, Inc. All Rights Reserved.