

This Owner's Manual is provided and hosted by [Appliance Factory Parts](#).



HOOVER F8100-900 Owner's Manual

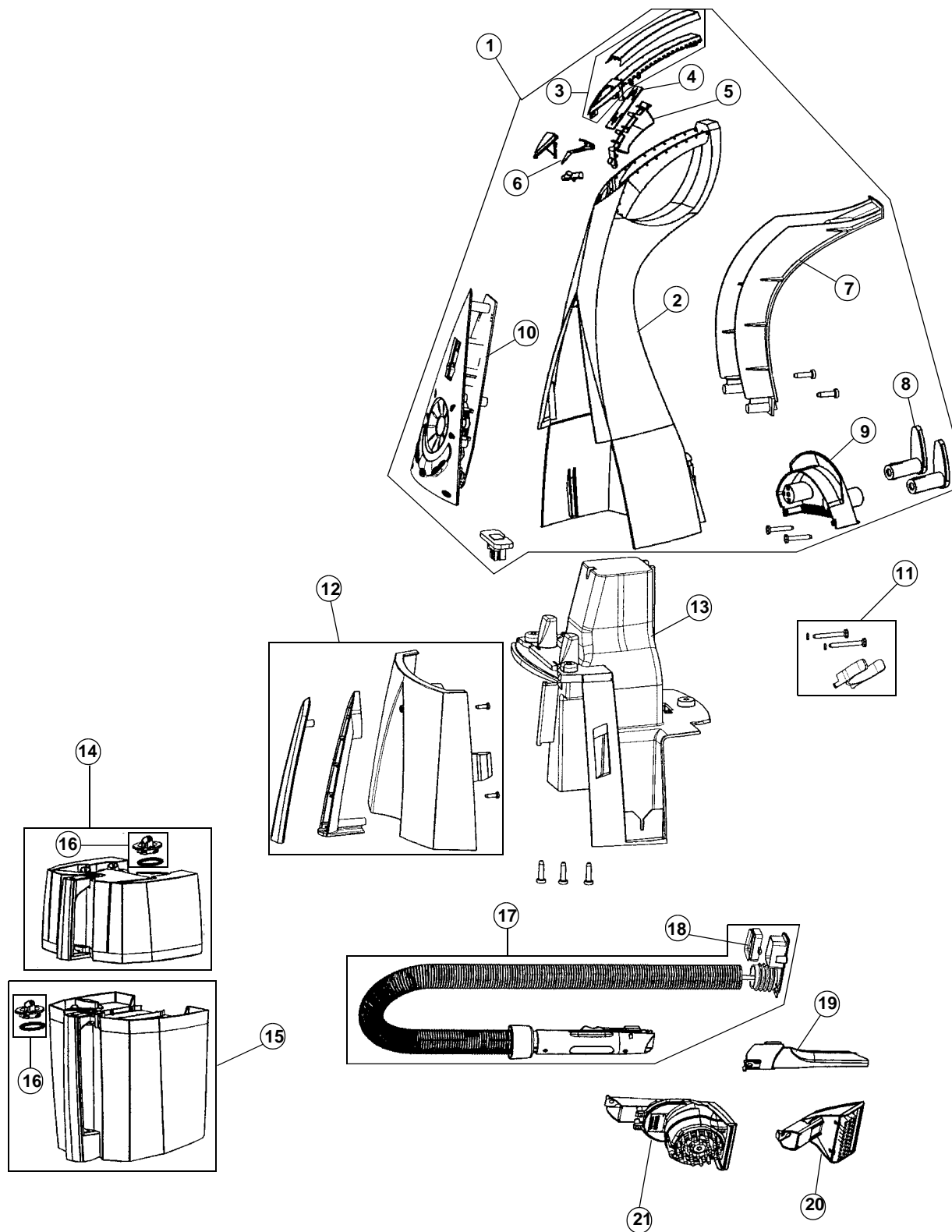
[Shop genuine replacement parts for HOOVER
F8100-900](#)



[Find Your HOOVER Vacuum Cleaner Parts - Select From 1455 Models](#)

----- Manual continues below -----

ASSEMBLY SCHEMATIC





CARPET CLEANER

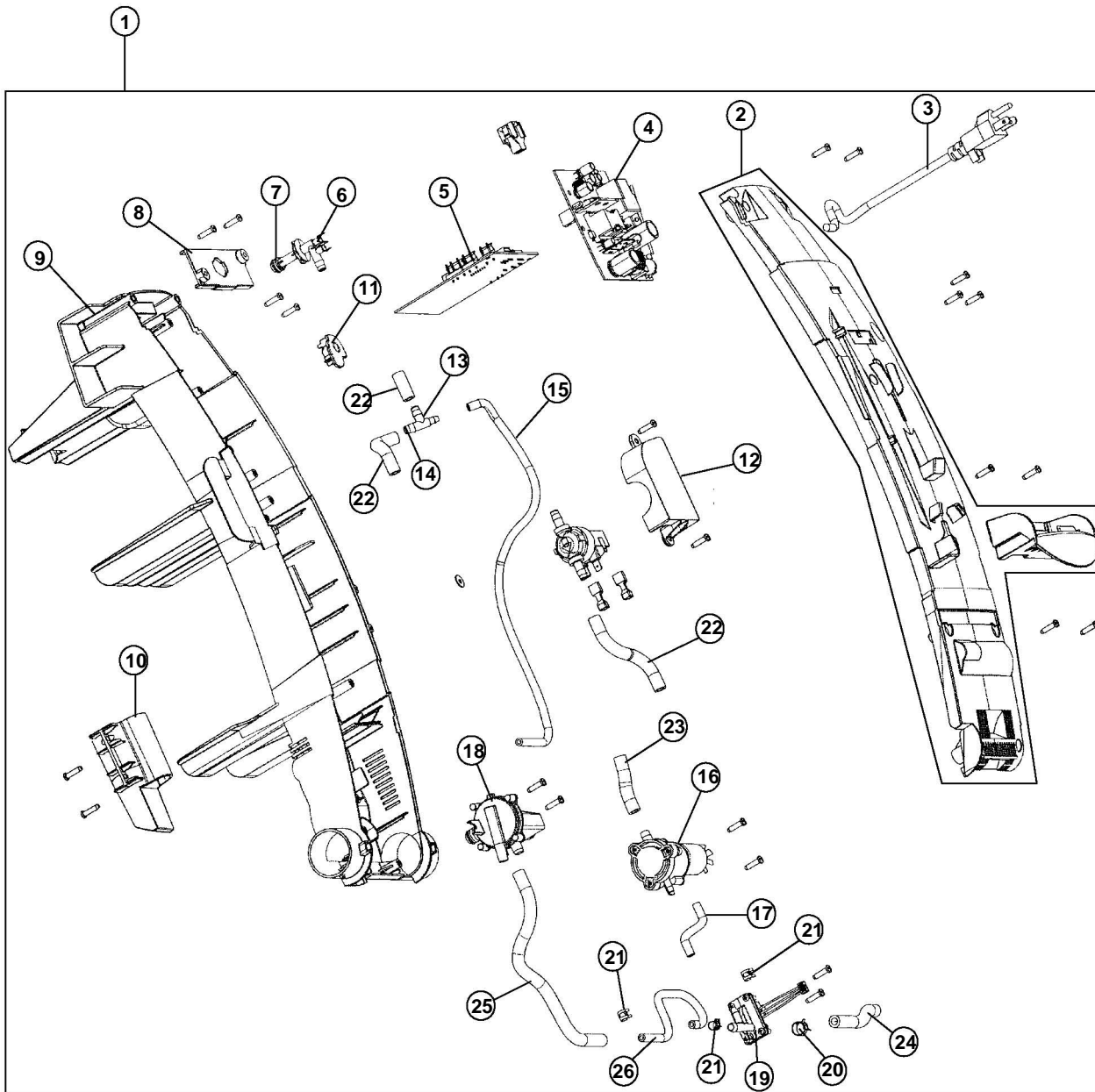
PART LISTING

| ITEM | PART NUMBER | MODELS TO FIT | PART DESCRIPTION |
|------|-------------|---------------|------------------------------------|
| 1 | 302594001 | F8100900 | HANDLE ASSEMBLY COMPLETE |
| 2 | 302595001 | F8100900 | UPPER HANDLE ASSEMBLY |
| 3 | 302596002 | F8100900 | FRONT COVER - UPPER HANDLE |
| 4 | 280519001 | F8100900 | CIRCUIT BOARD - TRIGGER SWITCH |
| 5 | 517404001 | F8100900 | TRIGGER |
| 6 | 521076001 | F8100900 | TRIGGER STOP |
| 7 | 517402001 | F8100900 | REAR COVER - UPPER HANDLE |
| 8 | 517538001 | F8100900 | CORD WRAP |
| 9 | 517410001 | F8100900 | CARRY HANDLE |
| 10 | 302632002 | F8100900 | CONTROL PANEL ASSEMBLY |
| 11 | 40201319 | F8100900 | HARDWARE PACKAGE - UPPER HANDLE |
| 12 | 42227189 | F8100900 | TOOL DOOR ASSEMBLY |
| 13 | 517403001 | F8100900 | UPPER HANDLE INSERT |
| 14 | 302664002 | F8100900 | SOLUTION TANK ASSEMBLY COMPLETE |
| 15 | 302668001 | F8100900 | CLEAN WATER TANK ASSEMBLY COMPLETE |
| 16 | 302666001 | F8100900 | TANK CAP ASSEMBLY |
| 17 | 43434282 | F8100900 | HOSE ASSEMBLY COMPLETE |
| 18 | 562120001 | F8100900 | RUBBER SEAL ADAPTOR - HOSE |
| 19 | 517550001 | F8100900 | CREVICE TOOL |
| 20 | 517438001 | F8100900 | FURNITURE NOZZLE ASSEMBLY |
| 21 | 302598001 | F8100900 | UPHOLSTERY NOZZLE TOOL ASSEMBLY |

F8100900

ASSEMBLY SCHEMATIC

F8100900





CARPET CLEANER

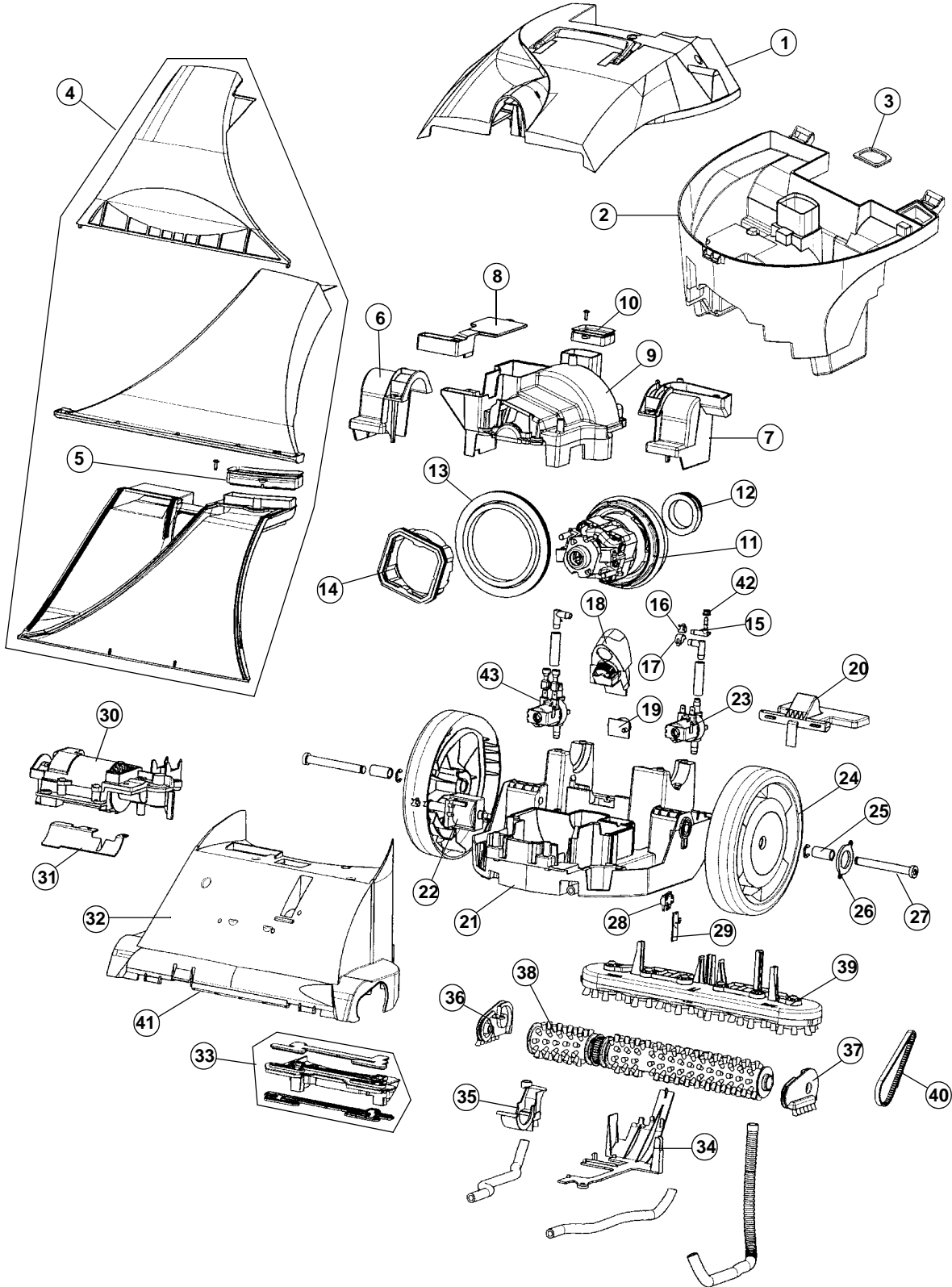
PART LISTING

| ITEM | PART NUMBER | MODELS TO FIT | PART DESCRIPTION |
|------|-------------|---------------|--|
| 1 | 302652001 | F8100900 | LOWER HANDLE COMPLETE |
| 2 | 517443001 | F8100900 | REAR COVER - LOWER HANDLE |
| 3 | 730719002 | F8100900 | POWER CORD ASSEMBLY |
| 4 | 280518001 | F8100900 | CURCUIT BOARD - POWER CONTROL |
| 5 | 280516001 | F8100900 | CURCUIT BOARD - MICRO CONTROL |
| 6 | 302602001 | F8100900 | CHEMICAL PORT MANIFOLD ASSEMBLY |
| 7 | 562107002 | F8100900 | O-RING - CHEMICAL PORT MANIFOLD |
| 8 | 517444002 | F8100900 | MANIFOLD SUPPORT |
| 9 | 517442001 | F8100900 | FRONT COVER - LOWER HANDLE |
| 10 | 517454001 | F8100900 | HOSE HOLDER |
| 11 | 590220008 | F8100900 | STRAIN RELIEF |
| 12 | 517448001 | F8100900 | VALVE COVER |
| 13 | 519523001 | F8100900 | TEE - TUBING |
| 14 | 562121001 | F8100900 | RUBBER GASKET - TEE |
| 15 | 562109001 | F8100900 | TUBE - ID 4.0MM / 33.46" LONG SPOT PUMP |
| 16 | 302603001 | F8100900 | GEAR PUMP |
| 17 | 562109005 | F8100900 | TUBE - ID 4.0MM PUMP FLOW METER |
| 18 | 302604002 | F8100900 | WATER TANK MANIFOLD ASSEMBLY |
| 19 | 302606001 | F8100900 | LOW FLOW METER WITH PCB HALL SENSOR |
| 20 | 25411015 | F8100900 | HOSE CLAMP - ID .460 |
| 21 | 25411016 | F8100900 | HOSE CLAMP - ID .301 |
| 22 | 562108004 | F8100900 | TUBE - ID 6.35MM X 90MM DETERGENT |
| 23 | 562108003 | F8100900 | TUBE - ID 6.35MM X 49MM WATER TANK MANIFOLD |
| 24 | 562108008 | F8100900 | TUBE - ID 6.35MM X 73 MM FLOW METER VALVE |
| 25 | 562108002 | F8100900 | TUBE - ID 6.35MM X 220MM WATER MANIFOLD NOZZLE VALVE |
| 26 | 562109002 | F8100900 | TUBE - ID 4.0MM X 220MM FLOW METER HOSE |

F8100900

ASSEMBLY SCHEMATIC

F8100900





CARPET CLEANER

PART LISTING

| ITEM | PART NUMBER | MODELS TO FIT | PART DESCRIPTION |
|------|-------------|---------------|--|
| 1 | 517586001 | F8100900 | DIRTY WATER TANK LID ASSEMBLY |
| 2 | 517585001 | F8100900 | DIRTY WATER TANK |
| 3 | 36426107 | F8100900 | DIRTY WATER TANK SCREEN - ORANGE |
| 4 | 302631001 | F8100900 | NOZZLE ASSEMBLY |
| 5 | 562128001 | F8100900 | GASKET - NOZZLE |
| 6 | 517531001 | F8100900 | TRUNNION COVER - RIGHT |
| 7 | 517529001 | F8100900 | TRUNNION COVER - LEFT |
| 8 | 517498001 | F8100900 | COVER - MOTOR AIR DUCT |
| 9 | 517497001 | F8100900 | MOTOR COVER |
| 10 | 562120001 | F8100900 | RUBBER SEAL - MOTOR COVER |
| 11 | 741179001 | F8100900 | MOTOR ASSEMBLY |
| 12 | 562117001 | F8100900 | RUBBER SEAL - MOTOR FAN |
| 13 | 562118001 | F8100900 | RUBBER SEAL - MOTOR |
| 14 | 562119001 | F8100900 | RUBBER SEAL - MOTOR MOUNT |
| 15 | 517500001 | F8100900 | TEE - TUBING |
| 16 | 25411017 | F8100900 | HOSE CLAMP - ID .250 |
| 17 | 25411016 | F8100900 | HOSE CLAMP - ID .301 |
| 18 | 302611001 | F8100900 | FRONT SPRAY AND HEADLIGHT ASSEMBLY |
| 19 | 280522001 | F8100900 | PCB - THERMISTOR |
| 20 | 517503001 | F8100900 | HANDLE RELEASE PEDAL |
| 21 | 517496001 | F8100900 | NOZZLE BASE |
| 22 | 303127001 | F8100900 | SOLENOID PUMP WITH WELDED GROUND |
| 23 | 25686057 | F8100900 | SOLENOID VALVE - GRAVITY |
| 24 | 43244047 | F8100900 | WHEEL AND HUB CAP |
| 25 | 641617001 | F8100900 | SLEEVE BEARING - WHEEL |
| 26 | 517534001 | F8100900 | WHEEL MAGNET |
| 27 | 632555001 | F8100900 | REAR WHEEL AXLE |
| 28 | 760758001 | F8100900 | MICRO SWITCH |
| 29 | 280521001 | F8100900 | PCB HALL ASSEMBLY |
| 30 | 302610001 | F8100900 | GEAR BOX ASSEMBLY |
| 31 | 517499001 | F8100900 | COVER - GEAR BOX |
| 32 | 517511001 | F8100900 | HOOD - NOZZLE |
| 33 | 302609001 | F8100900 | DISTRIBUTOR - WELDED |
| 34 | 517502001 | F8100900 | WIRE CHANNEL COVER |
| 35 | 302613001 | F8100900 | AGITATOR / BRUSH ROLL BELT GUARD - WITH BRISTLES |

F8100900



CARPET CLEANER

PART LISTING

| ITEM | PART NUMBER | MODELS TO FIT | PART DESCRIPTION |
|------|-------------|---------------|----------------------------------|
| 36 | 302617001 | F8100900 | END CAP WITH BRISTLES - LEFT |
| 37 | 302615001 | F8100900 | END CAP WITH BRISTLES - RIGHT |
| 38 | 302629001 | F8100900 | BRUSH ROLL ASSEMBLY |
| 39 | 302619001 | F8100900 | BRUSH BLOCK ASSEMBLY - 6 BRUSHES |
| 40 | 562124001 | F8100900 | BELT |
| 41 | 521100001 | F8100900 | AGITATOR / BRUSH ROLL SHIELD |
| 42 | 562121001 | F8100900 | GASKET - TEE |
| 43 | 25686056 | F8100900 | SOLENOID VALVE - PRESSURE |

F8100900