

This Owner's Manual is provided and hosted by [Appliance Factory Parts](#).



# FISHER PRICE 76950 Owner's Manual

[Shop genuine replacement parts for FISHER PRICE  
76950](#)



[Find Your FISHER PRICE Ride On Parts - Select From 999 Models](#)

----- Manual continues below -----



# 3-in-1 Ride & Drive

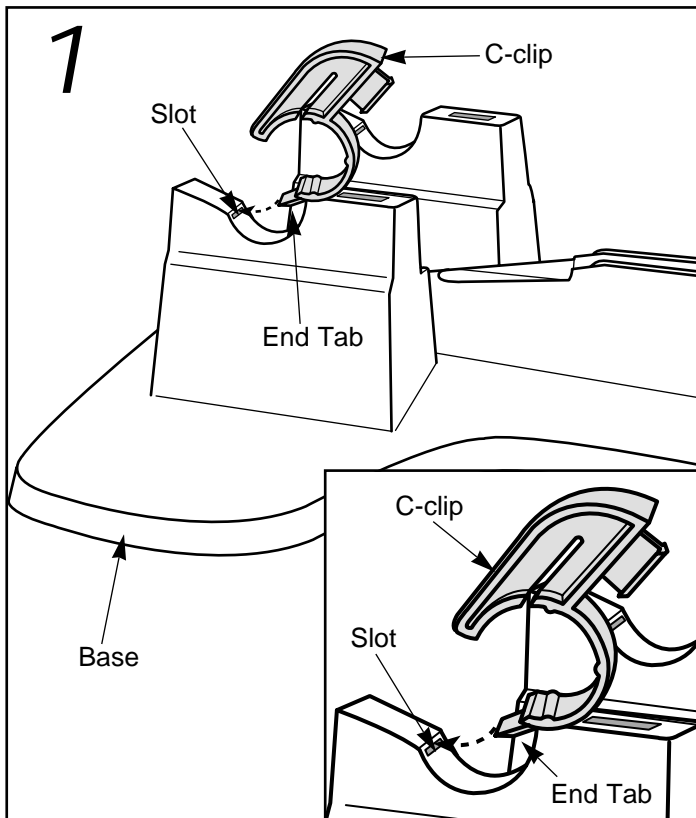
Model #76950

## Supplemental Assembly Instructions

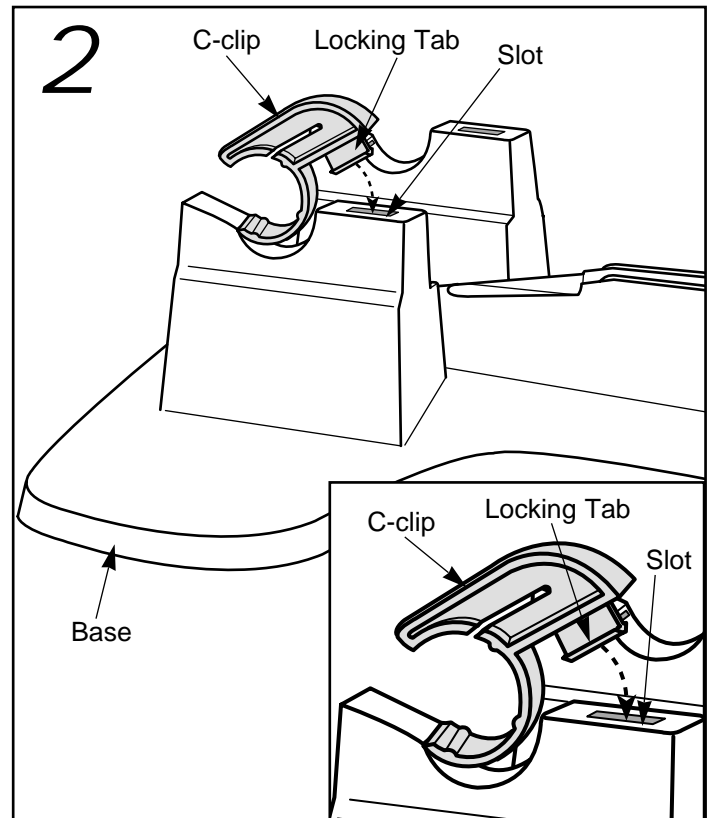
In addition to the parts pictured on pages 6 and 7 in the enclosed Owner's Manual, we've included two C-clips. Please refer to the following instructions to assemble the C-clips to the base and to attach the vehicle to the base **before beginning Assembly Step 1** in the Owner's Manual.

### Assembling the C-Clips

**Important Note!** Follow these C-clip assembly instructions carefully. The C-clip assembly is a permanent snap. If you do not fit the C-clip end tabs in the base before snapping in the C-clip locking tab, you will not be able to remove the C-clip to correct the assembly.

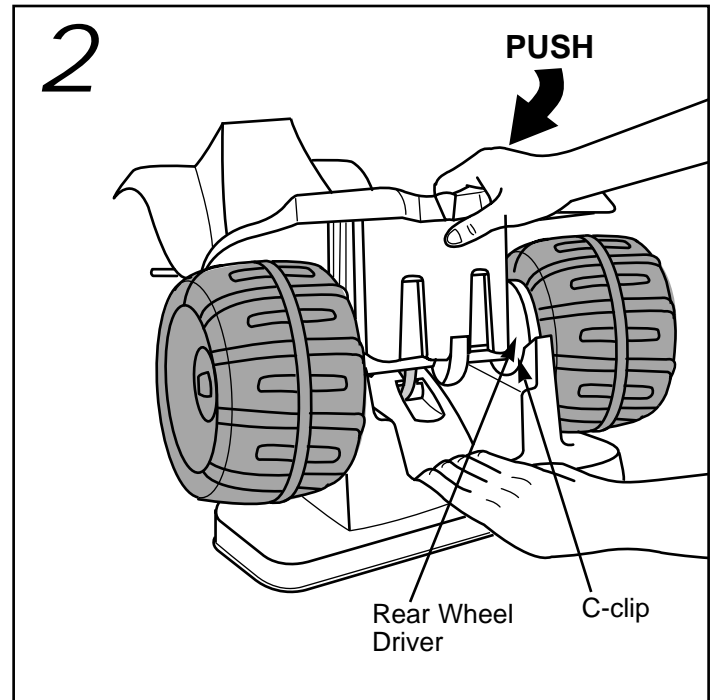
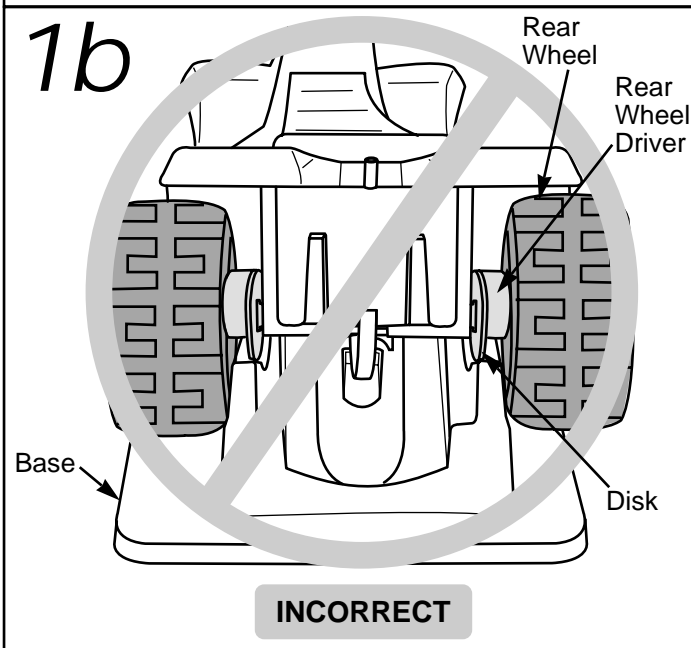
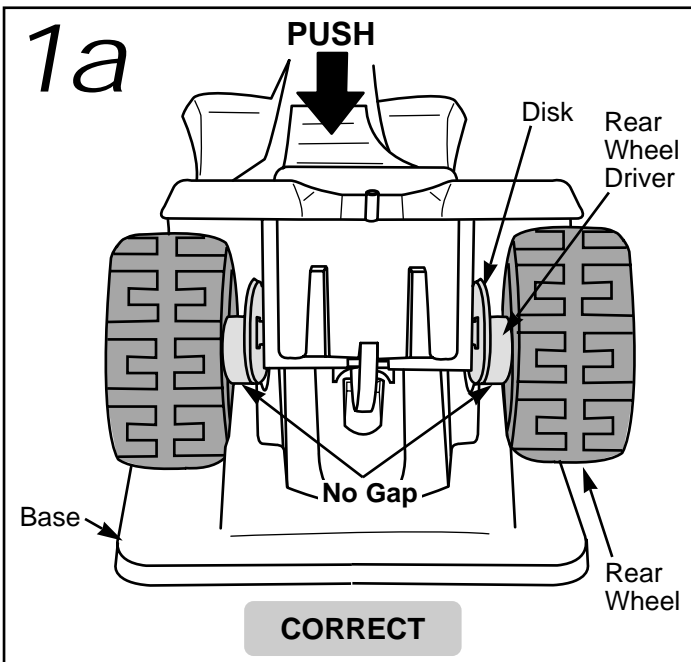


- Insert the end tab on a C-clip into the slot in the base.



- **Make sure the C-clip end tab is in the slot.** Then, push firmly to snap the C-clip locking tab into the slot in the base. Make sure you hear the tab snap into the slot.
- Repeat this procedure to assemble the other C-clip to the base.
- Assembly of the C-clips is now complete.

## Attaching the Vehicle to the Base



- Push forward firmly on the rear of the vehicle to snap the rear wheel drivers into the C-clips on the base.
- Push on the rear wheels to turn them forward to ensure that the rear wheel drivers are seated in the C-clips.

**Note:** The rear wheels will push out slightly when the vehicle is properly attached to the base.

Once the vehicle is attached to the base, continue assembly of your **3-in-1 Ride & Drive** with Assembly Step 1 in the enclosed Owner's Manual.

**Helpful Hint:** During use of your **3-in-1 Ride & Drive**, remember to correctly position the disks on the rear wheel drivers to attach the vehicle to the base easily! Periodically check the vehicle's rear wheels and on the base near the C-clips. If there is a black residue, wipe it clean using a cloth dampened with water.

**Helpful Hint:** Turn the vehicle's rear wheels to position the disks on the rear wheel drivers up, as shown in illustration 1a above. The rear wheel drivers are shown positioned incorrectly in the illustration 1b.

- Position the vehicle over the base.
- Push down on the vehicle seat so there is no gap between the bottoms of the rear wheel drivers and the base.

Thank you for choosing Power Wheels® by Fisher-Price. For further information regarding safety, service or assembly of your vehicle, please call Power Wheels Consumer Affairs toll-free at **1-800-348-0751**.