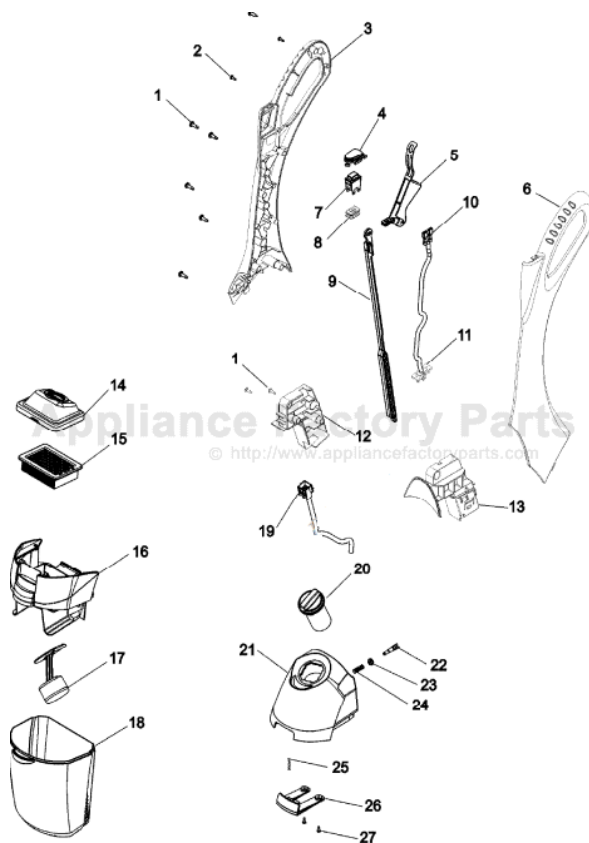


This Owner's Manual is provided and hosted by [Appliance Factory Parts](http://www.appliancefactoryparts.com).



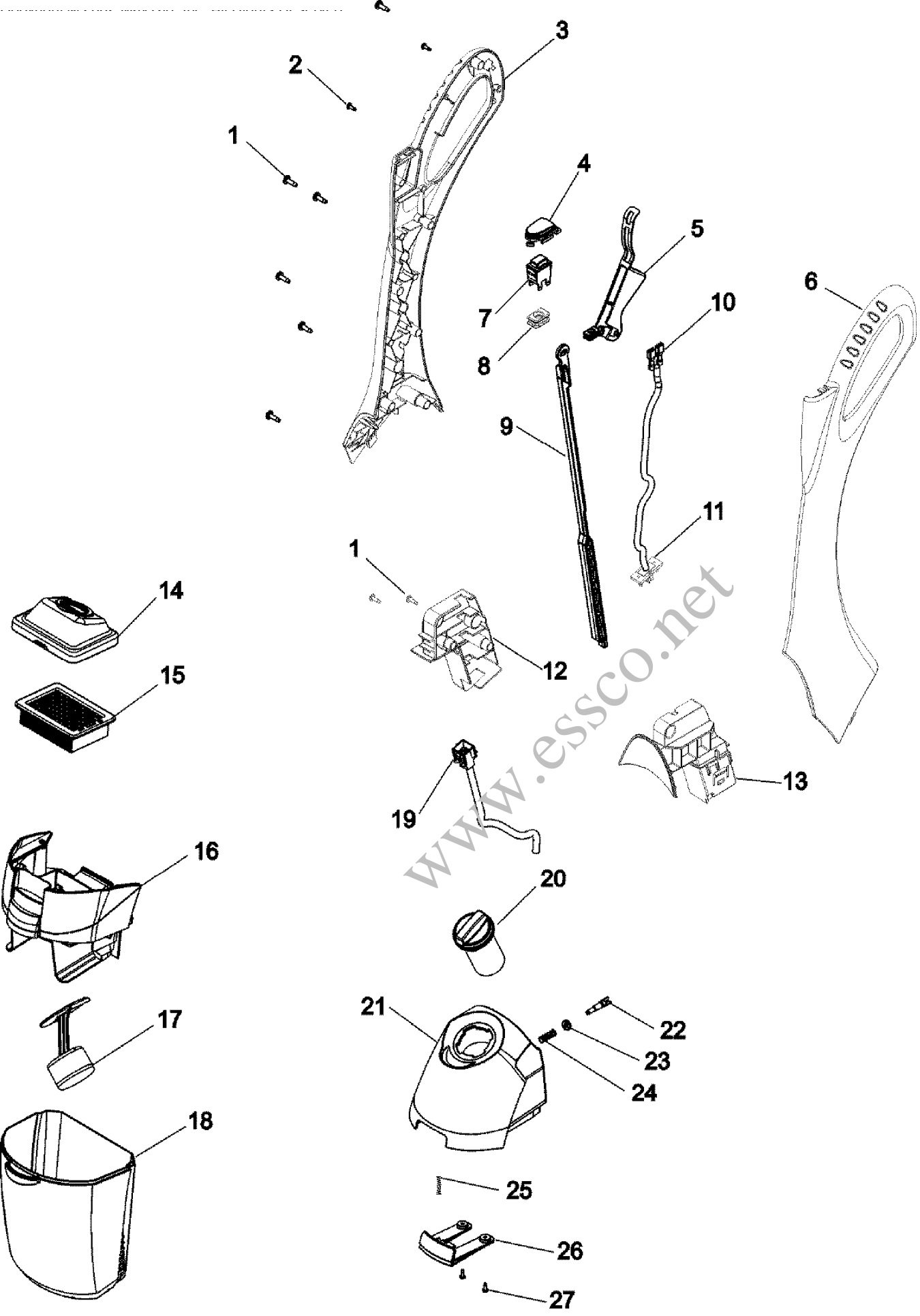
HOOVER H2850 Owner's Manual

[Shop genuine replacement parts for HOOVER H2850](#)



[Find Your HOOVER Vacuum Cleaner Parts - Select From 1455 Models](#)

----- Manual continues below -----

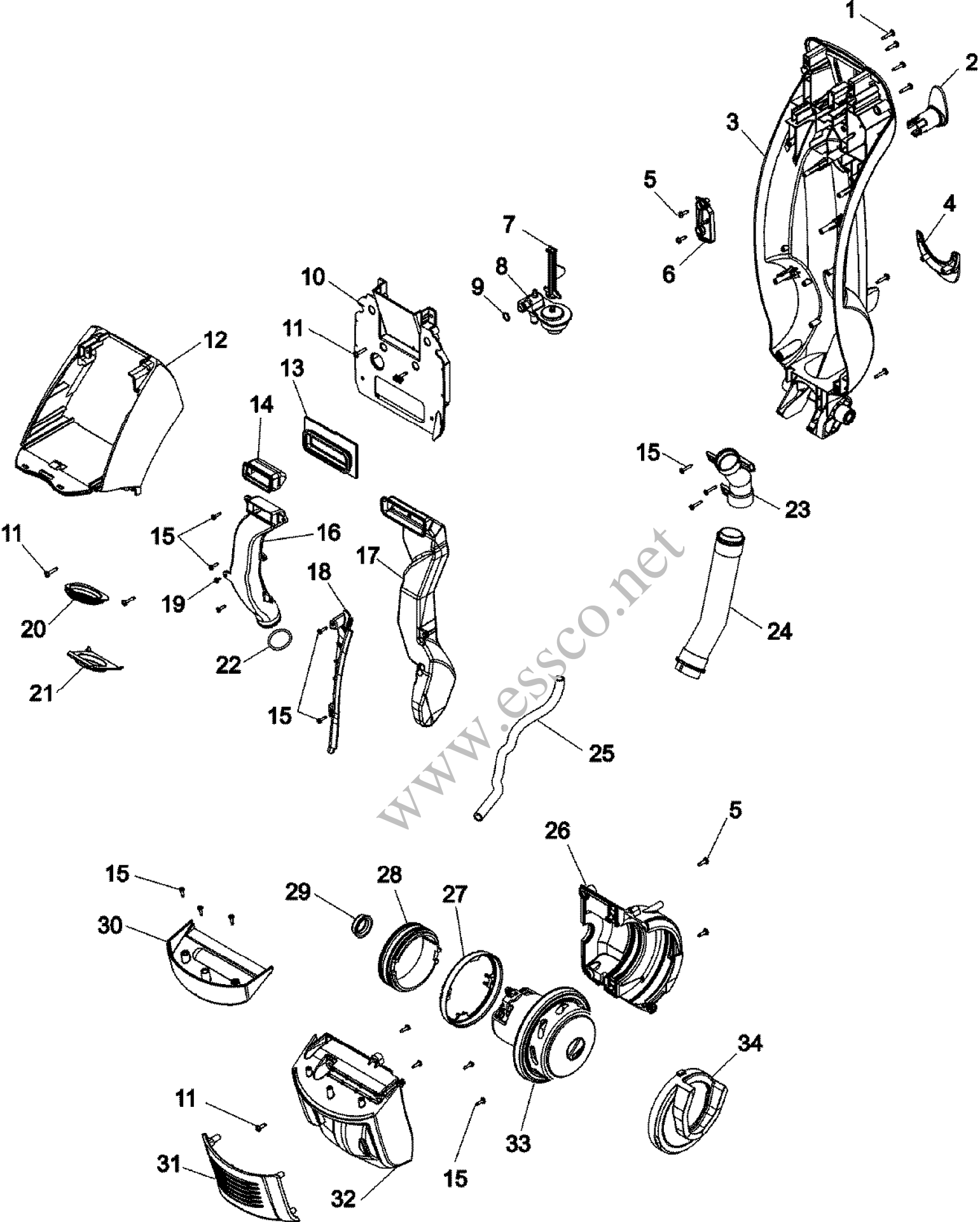


Model Number: H2850

BOM/Serial #: H2850

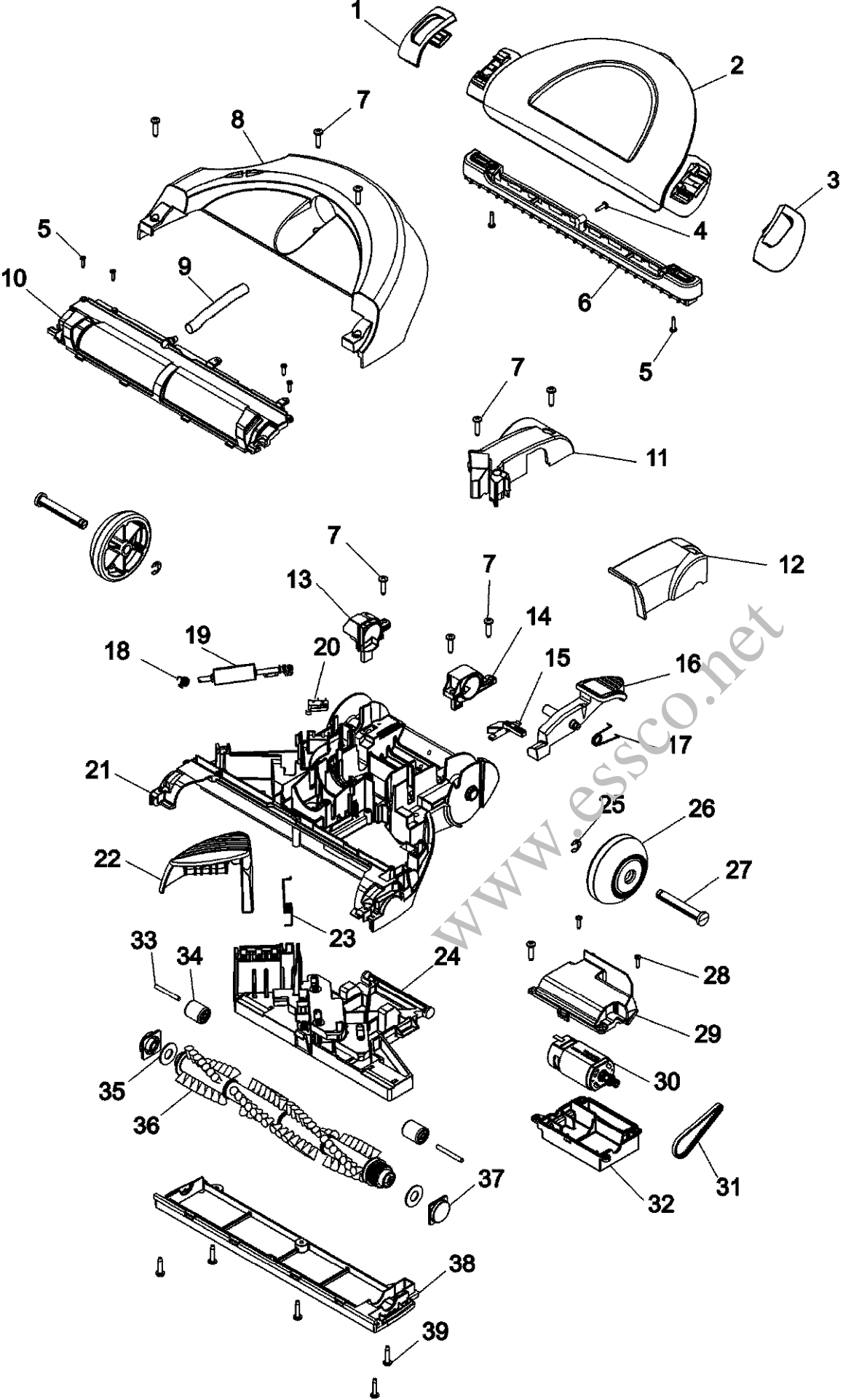
Graphic Title: HANDLE AND TANKS

Image	Key	Part Number	Description	Substitution	Qty.
1	1	93001733	SCREW #8-12 1/2"L		8
1	2	93001734	SCREW #6-10 1/2"L		2
1	3	93001967	UPPER HANDLE RIGHT		1
1	4	93001969	SWITCH BOOT W/PAD PRINT		1
1	5	93001109	CONTROL LEVER		1
1	6	93001966	UPPER HANDLE LEFT		1
1	7	93001972	SWITCH MAIN (DOUBLE POLE/TAPE)		1
1	8	93001968	GROMMET, UPPER		1
1	9	93001110	CONTROL ROD UPPER		1
1	10	93001971	MOLEX MALE 12 A CRIMP TERMINAL		1
1	11	93001970	QUICK CONNECT RECEPTACLE		1
1	12	93001973	UPPER HANDLE CORE LEFT C		1
1	13	93001974	UPPER HANDLE CORE RIGHT C		1
1	14	93001179	FILTER LID		1
1	15	59177051	Filter-FloorMate		1
1	16	93002063	REC.TANK LID ASSEM		1
1	17	93001183	FLOAT-HINGED SIDE		1
1	18	93002062	REC TANK W/PAD PRINT		1
1	19	93001141	WIRING HARNESS		1
1	20	93001144	SOL. TANK CAP ASSEM - H3030		1
1	21	93001147	SOLUTION TANK ASSEMBLY - H3030		1
1	22	93001148	VALVE STEM		1
1	23	93001149	VALVE SEAL		1
1	24	93001150	SPRING		1
1	25	93001976	SPRING, SOL TANK LATCH		1
1	26	93001975	LATCH, SOLUTION TANK		1
1	27	93001735	SCREW #6-24 3/8"L		2



Model Number: H2850
BOM/Serial #: H2850
Graphic Title: MAIN BODY

Image	Key	Part Number	Description	Substitution	Qty.
1	1	93001736	SCREW #8-12 3/4"L		6
1	2	93001130	CORD WRAP - UPPER		1
1	3	93001989	TANK HOUSING - C		1
1	4	93001131	CORD HOOK - LOWER		1
1	5	93001733	SCREW #8-12 1/2"L		3
1	6	93001127	CORD RETAINER		1
1	7	93001161	CONTROL ROD - LOWER		1
1	8	93001829	RESERVOIR ASSEMBLY		1
1	9	93001155	O RING		1
1	10	93001990	HANDLE RETAINER - C		1
1	11	93001736	SCREW #8-12 3/4"L		4
1	12	93001988	SOLUTION TANK SUPPORT		1
1	13	93001174	SEAL - SUCTION DUCT		1
1	14	93001175	SEAL - RECOVERY DUCT		1
1	15	93001734	SCREW #6-10 1/2"L		1
1	16	93002026	DUCT-RECOVERY-B-C		1
1	17	93001167	DUCT - SUCTION		1
1	18	93001166	CORD COVER - TANK HOUSING		1
1	19	93001735	SCREW #6-24 3/8"L		2
1	20	93001743	SEAL		1
1	21	93001995	RECOVERY SEAL PLATE		1
1	22	93001997	RING - RECOVERY DUCT		1
1	23	93001987	CONNECTOR SUCTION TO HOSE		1
1	24	93001192	HOSE ASSEM - H3030		1
1	25	93001165	TUBING-DIST(CUT/28" LEN)		1
1	26	93001173	MOTOR COVER - REAR		1
1	27	93001186	MOTOR SEAL RETAINER		1
1	28	93001185	MOTOR MOUNT		1
1	29	93001184	SEAL - MOTOR END BEARING		1
1	30	93001200	MOTOR COVER CAP - H3030		1
1	31	93001194	MOTOR COVER VENT		1
1	32	93001193	MOTOR COVER		1
1	33	93001189	MOTOR ASSEMBLY		1
1	34	93001190	SEAL - MOTOR FAN		1



Model Number: H2850
BOM/Serial #: H2850
Graphic Title: FOOT

Image	Key	Part Number	Description	Substitution	Qty.
1	1	93001984	NOZZLE LATCH - RIGHT C		1
1	2	93001981	NOZZLE ASSY - C		1
1	3	93001983	NOZZLE LATCH - LEFT C		1
1	4	93001741	SCREW #6-10 7/16"L TOREX		1
1	5	93001742	SCREW #6-10 3/4"L		6
1	6	93001982	SQUEEGEE OVERMOLDED		1
1	7	93001736	SCREW #8-12 3/4"L		8
1	8	93001994	HOOD C (WITH PAD PRINT)		1
1	9	93002003	TUBING PROTECTOR JACKET - C		1
1	10	93001978	DISTRIBUTOR ASSEMBLY		1
1	11	93001993	HOOD REAR COVER RIGHT - C		1
1	12	93001039	HOOD REARCOVER-LH -H3030		1
1	13	93001056	TRUNNION COVER -RH		1
1	14	93001055	TRUNNION COVER-LH		1
1	15	93001050	HANDLE RELEASE		1
1	16	93001046	HANDLE RELEASE PEDAL-H3060		1
1	17	93001049	SPRING HANDLE RELEASE PEDAL		1
1	18	93001999	SPRING, TENSION-MODE INDICATOR		1
1	19	93001998	MODE INDICATOR W/PAD PRINT		1
1	20	93002004	SWITCH - MODE CONTROL - C		1
1	21	93001992	MAIN BODY - C		1
1	22	93002010	CONTROL PEDAL		1
1	23	93002011	SPRING, CONTROL PEDAL		1
1	24	93001979	FRONT WHEEL CARRIAGE ASSY		1
1	25	59177088	LOCK RING		2
1	26	93001060	REAR WHEEL ASSEMBLY-H3060		2
1	27	93001059	REAR WHEEL AXLE		2
1	28	93001740	SCREW #6-10 3/4"L		3
1	29	93002002	AGITATOR MOTOR HOUSING - LOWER		1
1	30	93002005	MOTOR AGITATOR DRIVE - C		1
1	31	93002000	AGITATOR DRIVE BELT - C		1
1	32	93002001	AGITATOR MOTOR HOUSING - C		1
1	33	93001065	FRONT WHEEL SHAFT		2
1	34	93001980	FRONT WHEEL OVERMOLDED		2
1	35	93002008	WASHER - THRUST AGITATOR		2

Image	Key	Part Number	Description	Substitution	Qty.
1	36	93001985	AGITATOR ASSEMBLY LACED		1
1	37	93002007	THREAD GUARD		2
1	38	93002009	BOTTOM PLATE		1
1	39	93001733	SCREW #8-12 1/2"L		5

www.essco.net