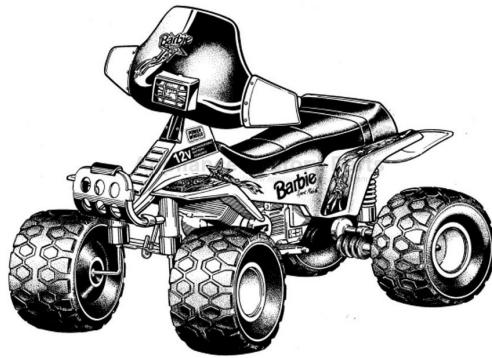


This Owner's Manual is provided and hosted by [Appliance Factory Parts](#).



# FISHER PRICE 74557 Owner's Manual

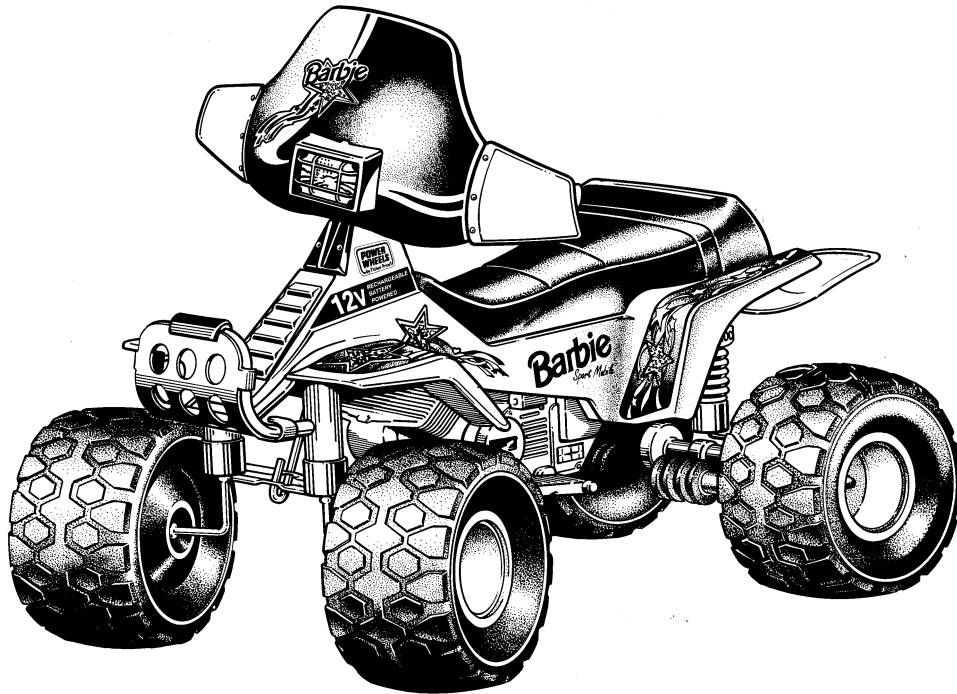
[Shop genuine replacement parts for FISHER PRICE  
74557](#)



[Find Your FISHER PRICE Ride On Parts - Select From 999 Models](#)

----- Manual continues below -----

**POWER  
WHEELS**  
by Fisher-Price™



Product features may vary from the picture above.

# Barbie™ Sport Mobile™

## Owner's Manual with Assembly Instructions

Please read this manual and save it with your original sales receipt.

For Model 74557

Tools needed for assembly: Phillips Screwdriver, Hammer, Pliers, and Safety Scissors.  
Use only with Power Wheels® Type H 6 Volt (9.5 Amp/hr.) Batteries, Power Wheels® 30 Amp Fuses  
and Power Wheels® Type H 12 Volt Charger (all included).

Requires two "AA" alkaline batteries (not included) for sound.



**CAUTION**

**ELECTRIC TOY:** Not recommended for children under 3 years of age.  
As with all electric products, precautions should be observed during  
handling and use to prevent electric shock.

# Table of Contents

A	Important Information	2
B	Warnings	3
C	Parts	4
D	Parts Diagram	7
E	Battery Charging	8
F	Assembly	10
G	Label Decoration	18
H	Battery Installation	19
I	Battery Care and Disposal	20
J	Rules for Safe Driving	21
K	How to Operate Your Vehicle	22
L	Caring for Your Vehicle	23
M	Problems and Solutions Guide	24
N	Statement of Limited Warranty	28
O	Authorized Service Centers	28

## A

## Important Information

- Your new vehicle requires adult assembly. Please set aside at least 45 minutes for assembly.
- You must charge your batteries for 18 - 30 hours **BEFORE YOU USE YOUR VEHICLE FOR THE FIRST TIME**. We recommend that you start charging your batteries before beginning assembly. Please see Battery Charging beginning on page 8 for detailed instructions.
- Read this manual carefully for important safety information and operating instructions before using your vehicle.
- Throughout this manual you will find important messages in the form of **WARNINGS, CAUTIONS and NOTES**. **WARNING** signals something that could hurt your child or you. **CAUTION** signals something that can damage the vehicle. **NOTE** is used to highlight useful information.
- This vehicle is designed for use on grass, asphalt or other hard surfaces by children 3 - 7 years of age.
- To prevent damaging the motors and gears, do not tow anything behind the vehicle or overload it. Do not exceed the maximum weight capacity of 65 lbs.
- This vehicle has a special circuit-breaker in the wiring to protect the motors and electrical system. If the vehicle is put under extreme load (driving on rough surfaces, too much weight, climbing too steep an incline), the circuit-breaker will shut the electrical system down for up to 20 seconds. If the system repeatedly shuts down, the driving conditions may be too demanding (i.e.: too steep or too much weight).
- If you have any questions about your Power Wheels® vehicle, please call our toll-free service lines at **1-800-348-0751** from 8 AM to 6 PM (EST) Monday through Friday. Trained customer service representatives are available to take your call in English or French. Habla Español? Si usted tiene alguna pregunta ó necesita asistencia llame gratis **1-800-348-0755** para los Estados Unidos. Tenemos representantes que hablan español para atender su llamada.
- For your convenience, Power Wheels® maintains an Authorized Service Center Network with more than 300 authorized service centers nationwide. Our authorized service centers will repair or replace parts under warranty at no extra charge, and can perform non-warranty repairs for a minimal charge. Please see the Authorized Service Center list beginning on page 28 to find the authorized service center nearest you, or call **1-800-348-0751**.
- Please complete and return the enclosed Registration Card today, or call **1-800-348-0751** to register your vehicle by phone.



### CAUTION

- Use the charger indoors only.

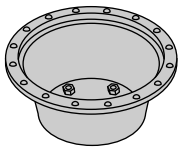
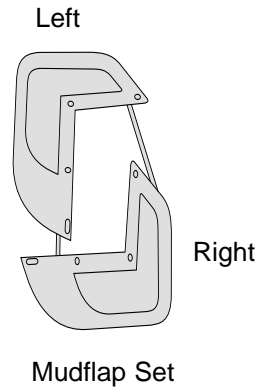
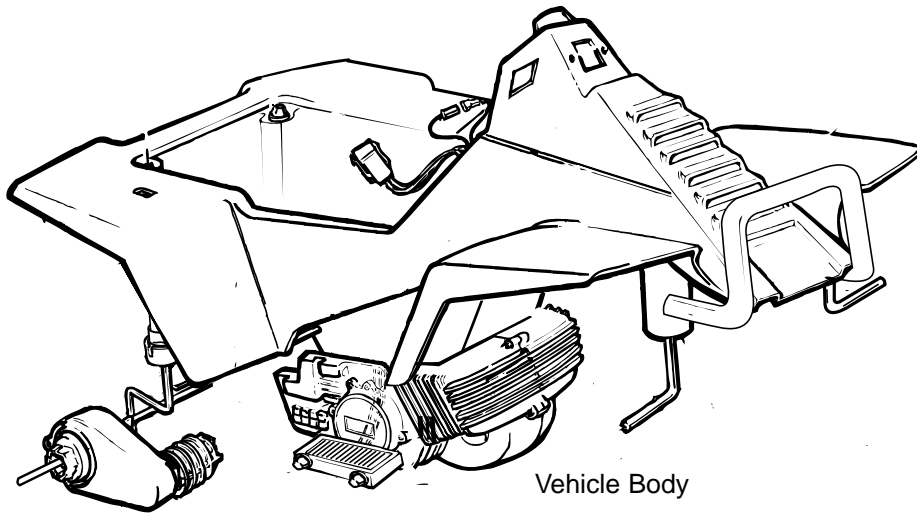
**WARNING**

- Children can be harmed by small parts, sharp edges and sharp points in the vehicle's unassembled state, or by electrical items. Care should be taken in unpacking and assembly of the vehicle. Children should not handle parts, including the battery, or help in assembly of the vehicle.
- Keep small parts and plastic bags out of children's reach. Dispose of plastic bags properly.
- Adult supervision is required. Children do not have the judgement necessary to avoid many accidents. Be sure that children operating this vehicle can do so safely and that they are supervised at all times.
- Never use near steps, driveways, steep inclines, roadways, alleys, swimming pool areas or other bodies of water.
- Always wear shoes or sneakers when operating this vehicle.
- Never allow more than one rider.
- The rider should sit on the seat when the vehicle is in operation.
- **Hot** motor covers. Handle carefully.
- Never alter this vehicle or its electrical system in any way. Alterations could cause a fire resulting in injury and could also ruin the electrical system.
- Use of the wrong type batteries, fuses or charger could cause a fire or explosion, resulting in serious injury.
- The batteries must be handled by adults only. The batteries are heavy and contain sulfuric acid (electrolyte). Dropping the batteries could result in serious injury.
- Never lift or carry the batteries by the wires or connectors. This can damage the batteries and possibly cause a fire resulting in injury. Lift and carry the batteries by the cases only.
- Read the cautions on the back panel of the batteries.
- Never allow children to charge the batteries. Battery charging must be done by adults only. A child could be injured by the electricity involved in charging the batteries.
- Examine the batteries, charger and their connectors for excessive wear or damage each time you charge the batteries. If damage or excessive wear is detected, do not use the vehicle until you have replaced the worn or damaged part as it could possibly cause a fire resulting in injury.

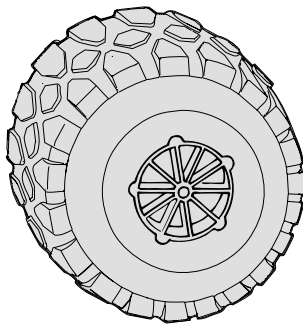
# C

## Parts

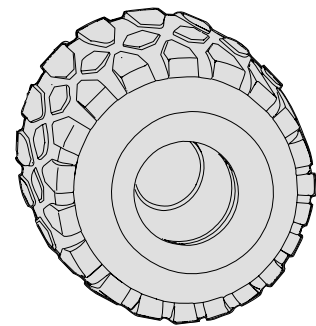
- If you experience a problem with this product, or are missing a part, please call us at **1-800-348-0751**, rather than return this product to the store.
- Please identify all parts before assembly and save all packaging material until assembly is complete to ensure that no parts are discarded.
- Metal parts have been coated with a lubricant to protect them during shipment. Wipe all metal parts with a paper towel to remove any excess lubricant.



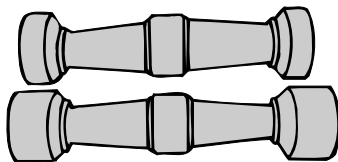
Hubcap - 4



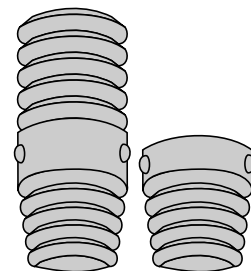
Rear Wheel - 2



Front Wheel - 2

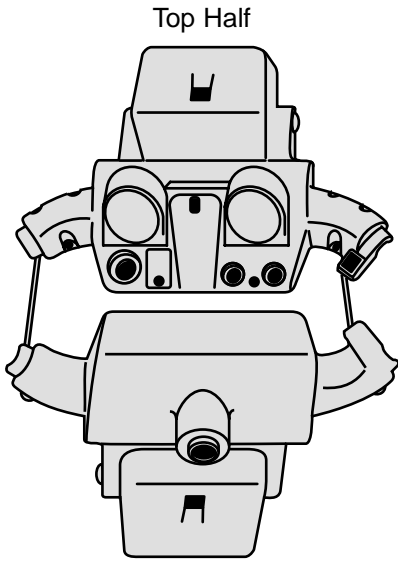


Rear Axle Cover  
(2 pieces)



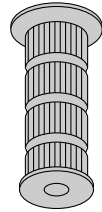
Shock Set - 2  
(4 pieces)

# Parts

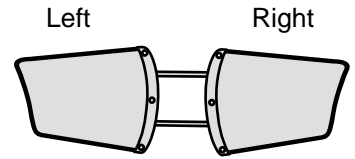


Top Half

Bottom Half  
Headlight Housing

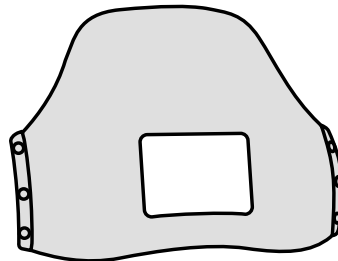


Hand Grip - 2

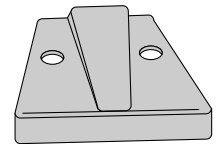


Left Right

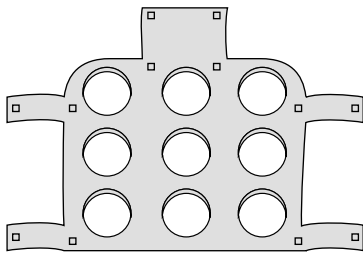
Hand Guard Set



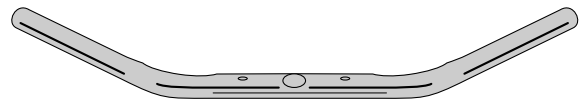
Windshield



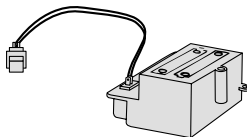
Cover Plate



Brushguard



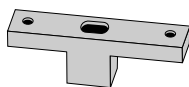
Handlebar



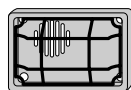
Sound Box



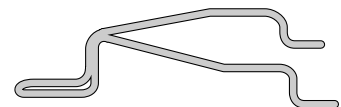
Steering Column



Handlebar Neck

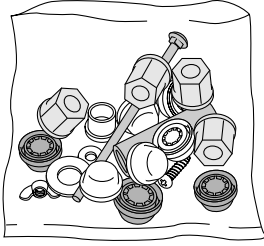


Headlight Guard  
and Rim

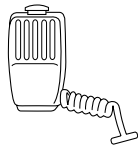


Battery Retainer

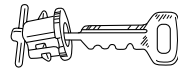
# Parts



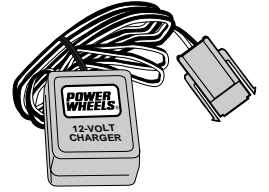
Small Parts Bag



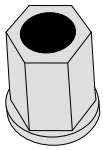
Microphone



Key Assembly



12-Volt Charger



Hex Bushing - 4



Round Bushing - 2



Lock Nut - 2



Wing Nut



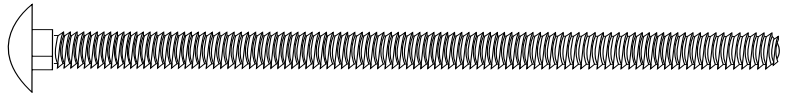
Radio Knobs - 2



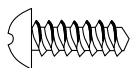
30 Amp Fuse - 3\*



3/4" Screw - 6



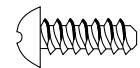
Carriage Bolt



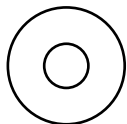
1/2" Screw (silver) - 10



1 1/2" Screw - 2



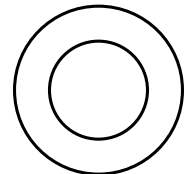
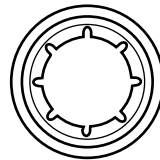
1/2" Screw (black) - 22



Small Washer



Cap Nut - 6\*



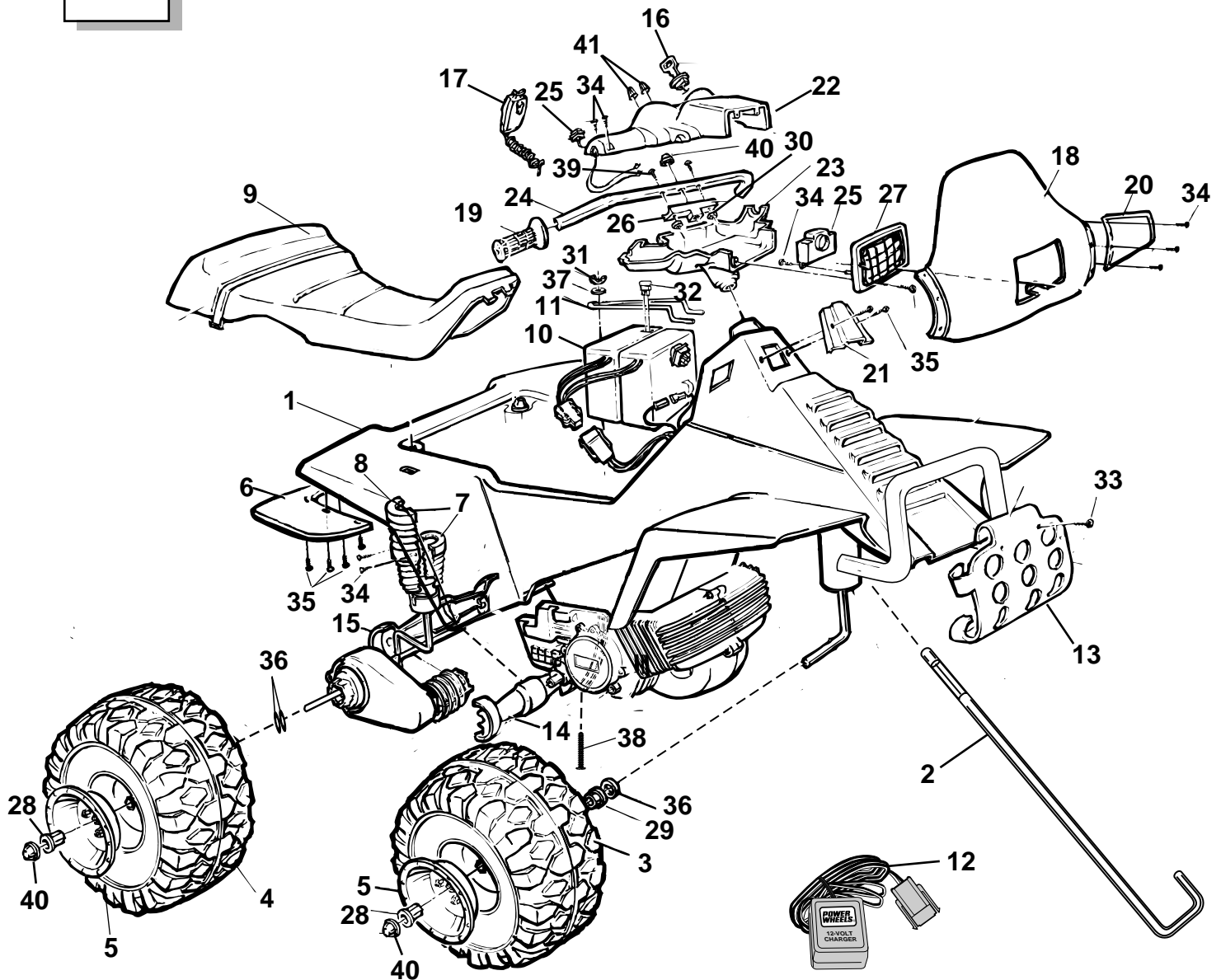
Large Washer - 6

**All Shown Actual Size**

\*For your convenience, an extra 30 amp fuse and cap nut have been included.

# D

## Parts Diagram



- |                                  |                                     |                              |
|----------------------------------|-------------------------------------|------------------------------|
| 1. Vehicle Body                  | 17. Microphone                      | 31. Wing Nut                 |
| 2. Steering Column               | 18. Windshield                      | 32. 30 Amp Fuse - 2          |
| 3. Front Wheel - 2               | 19. Hand Grip - 2                   | 33. 3/4" Screw - 6           |
| 4. Rear Wheel - 2                | 20. Left Hand Guard - 2             | 34. 1/2" Screw (black) - 22  |
| 5. Hubcap - 4                    | 21. Cover Plate                     | 35. 1/2" Screw (silver) - 10 |
| 6. Right Mudflap                 | 22. Handlebar Housing - Top Half    | 36. Large Washer - 6         |
| 7. Small Shock Half - 2          | 23. Handlebar Housing - Bottom Half | 37. Small Washer             |
| 8. Large Shock Half - 2          | 24. Handlebar                       | 38. Carriage Bolt            |
| 9. Seat                          | 25. Sound Box with Wiring Harness   | 39. 1 1/2" Screw - 2         |
| 10. 6 Volt Battery - 2           | 26. Handlebar Neck                  | 40. Cap Nut - 5              |
| 11. Battery Retainer             | 27. Headlight Guard and Rim         | 41. Radio Knob - 2           |
| 12. 12 Volt Charger              | 28. Hex Bushing - 4                 |                              |
| 13. Brushguard                   | 29. Round Bushing - 2               |                              |
| 14. Rear Axle Cover - Short Half | 30. Lock Nut - 2                    |                              |
| 15. Rear Axle Cover - Long Half  |                                     |                              |
| 16. Key Assembly                 |                                     |                              |

### Not Shown

Label Sheet  
Left Mudflap  
Right Hand Guard



# E

## Battery Charging



### WARNING

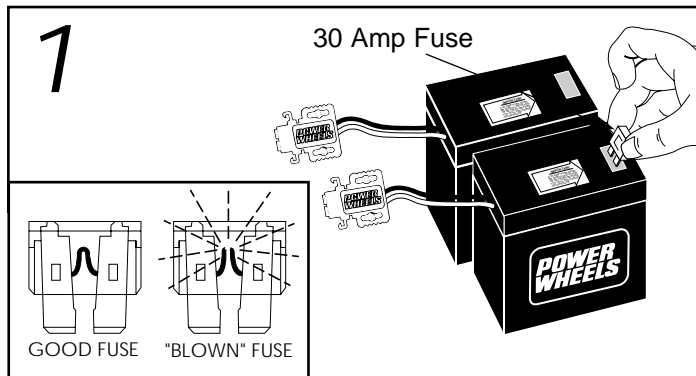
- The batteries must be handled by adults only. The batteries are heavy and contain sulfuric acid (electrolyte). Dropping the batteries could result in serious injury.
- Never allow children to charge the batteries. Battery charging must be done by adults only. A child could be injured by the electricity involved in charging the batteries.
- Use of the wrong type batteries, fuses or charger could cause a fire or explosion, resulting in serious injury.
- Read the cautions on the back panel of the batteries.
- Never lift or carry the batteries by the wires or connectors. This can damage the batteries and possibly cause a fire. Lift and carry the batteries by the case only.
- Examine the batteries, charger and their connector for excessive wear or damage each time you charge the battery. If damage or excessive wear is detected, do not use the charger or the vehicle until you have replaced the worn or damaged part.
- Never alter this vehicle or its electrical system in any way. Alterations could cause a fire resulting in injury and could also ruin the electrical system.

# Battery Charging

- Your new batteries must be charged for at least 18 hours before you use them in your vehicle for the first time.
- We recommend that you start charging your batteries before beginning assembly of your new vehicle.
- The batteries must be upright while charging.
- Do not short circuit the batteries.
- You do not need to remove the batteries from your vehicle to recharge them.
- Use only a Power Wheels® Type H 12 volt charger (120 VAC 60 Hz 28W with an output of 12 VDC 1200mA) to charge your Power Wheels® 6 volt batteries.

## CAUTION

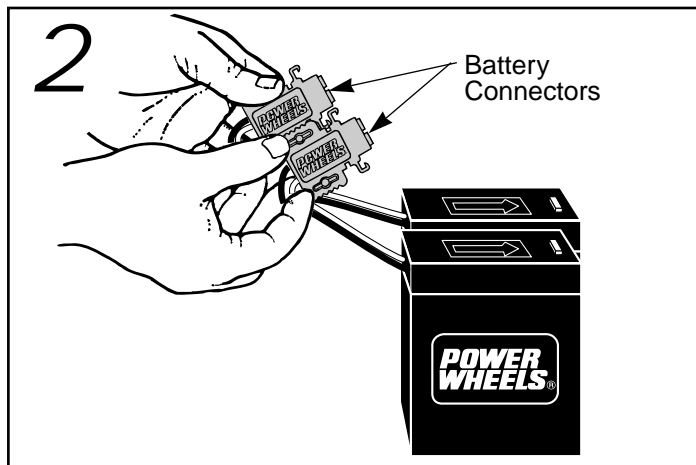
- Use the charger indoors only.



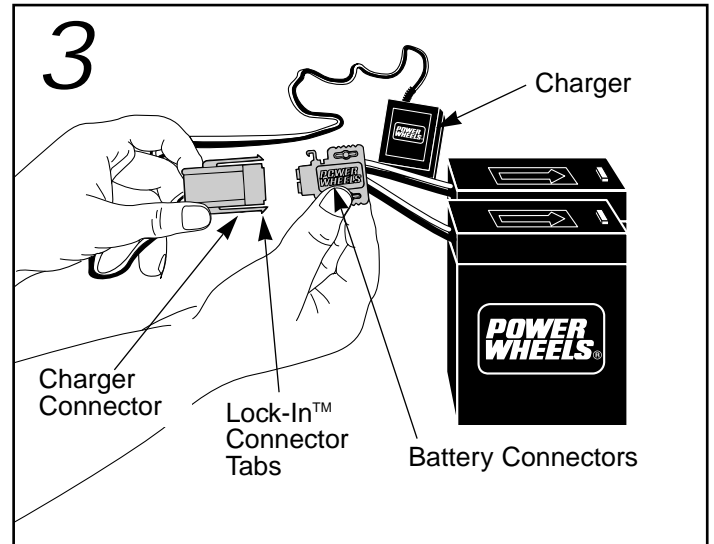
- If you are charging the batteries for the first time, insert a 30 amp fuse into each battery.

**Note:** The top of the fuse will not be flush with the top of the battery when properly installed.

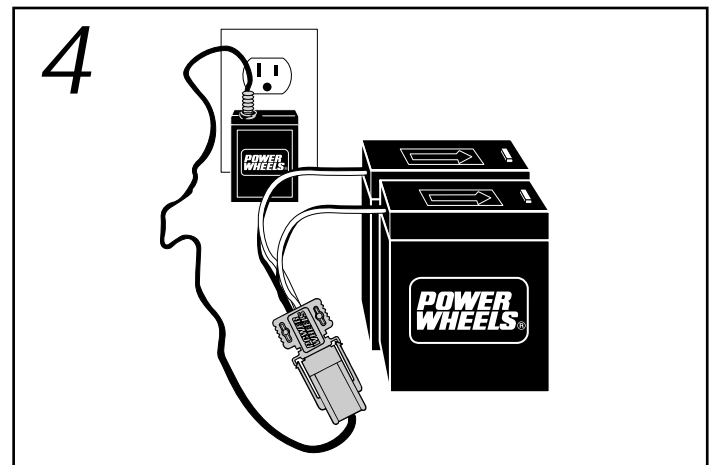
- If you are recharging your batteries, make sure the 30 amp fuses already installed in the batteries are in good condition. Remove the fuses from the batteries and look at them to make sure they are not blown. Replace a blown fuse with a new Power Wheels® 30 amp fuse.



- Stack one battery connector on top of the other and snap them together.



- Squeeze the Lock-In™ connector tabs on the charger connector and plug it into the battery connector.
- IMPORTANT NOTE!** If you are recharging your batteries, you will first need to disconnect the battery connector from the motor harness connector under the seat.

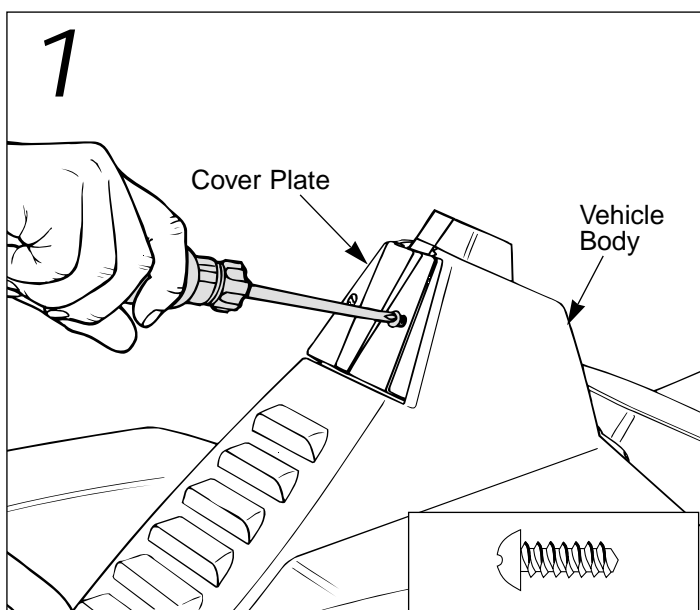


- Plug the charger into a standard 120 volt wall outlet.
- Note:** If power flow to the wall outlet is controlled by a switch, make sure the switch is "ON".
- Before first-time use, charge the batteries for **at least 18 hours**. Never charge the batteries longer than 30 hours.
- Note:** The batteries must be upright while charging.
- Recharge the batteries for at least 14 hours after each use of your vehicle. Do not charge the batteries longer than 30 hours.
  - Once the batteries are charged, disconnect the charger connector from the battery connector. Unplug the charger from the wall outlet. The batteries are now ready to be installed in your vehicle. Please see the Battery Installation section on page 19 for detailed instructions on installing your batteries. If your batteries are already installed in your vehicle, simply re-connect the battery connector and motor harness connector and re-assemble the seat.

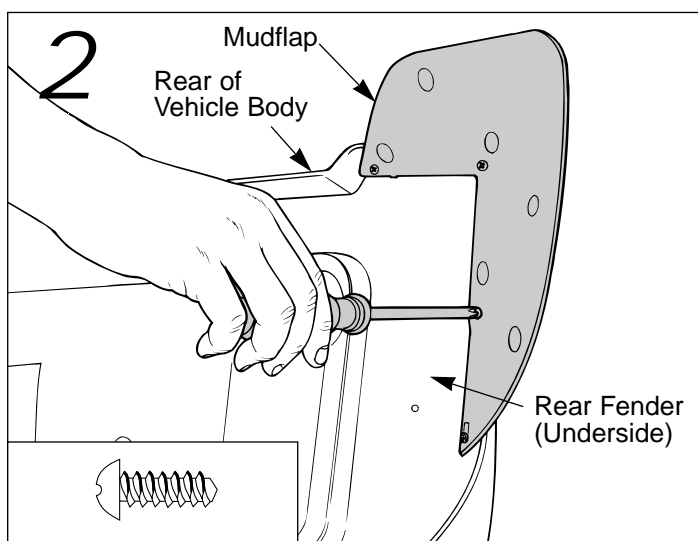
# F

## Assembly

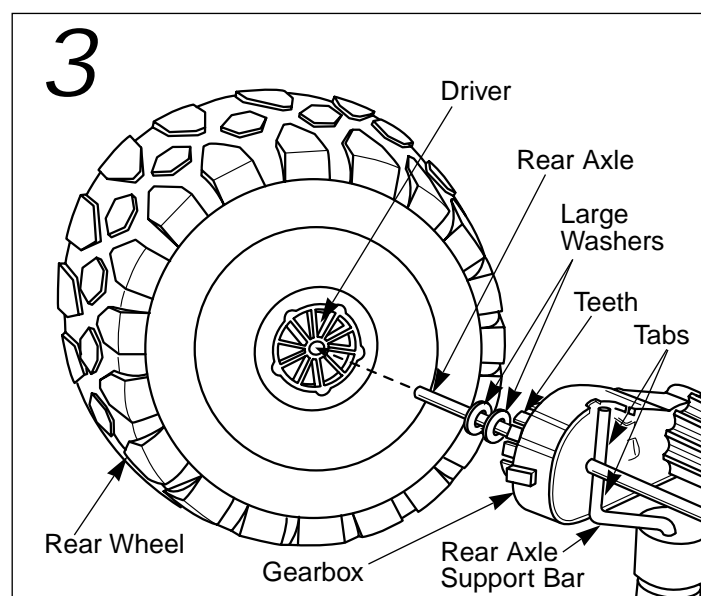
Do Not Omit Any Steps



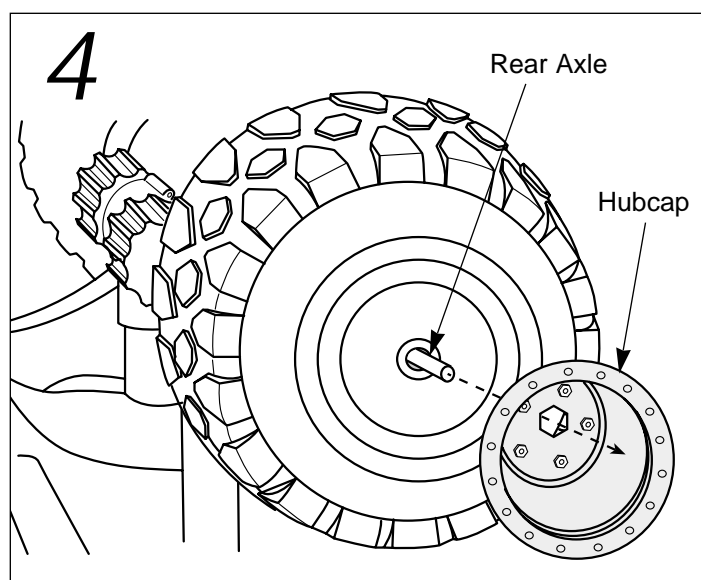
- Fit the cover plate over the opening in the front of the vehicle body.
- Insert two 1/2" screws (silver) through the cover plate and into the vehicle body.



- Tip up the back end of the vehicle.
- Using safety scissors, remove the mudflaps from the plastic connector. Dispose of the plastic connector.
- Align the holes in a mudflap with the screwpegs under one of the rear fenders. **Make sure the textured side of the mudflap faces toward the seat.**
- Insert four 1/2" screws (silver) through the mudflap and into the screwpegs.
- Tighten the screws with a Phillips screwdriver. Do not over-tighten.
- Repeat this procedure to assemble the other mudflap to the other rear fender.

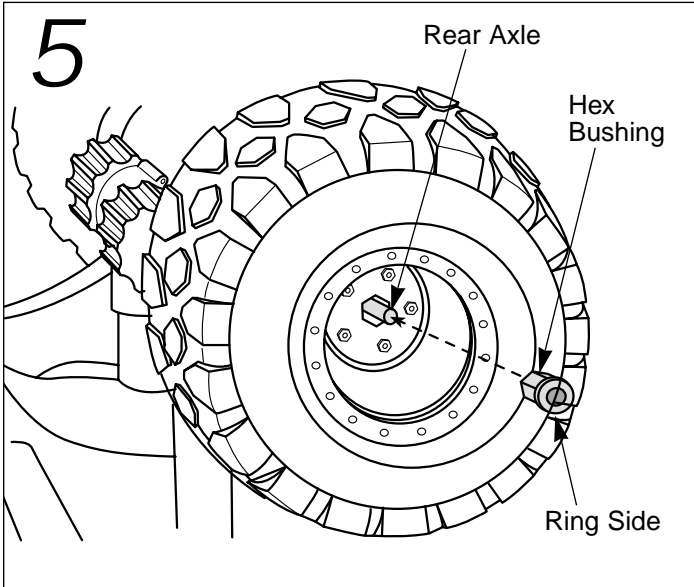


- Position the vehicle body upside down. **Make sure that the tabs on the gearboxes rest against the rear axle support bars so the gearboxes and motors do not hang down.**
- Slide **two** large washers onto one of the **rear axles**.
- Slide a rear wheel, driver side first, onto the rear axle.
- Fit the teeth on the gearbox into the notches in the driver.

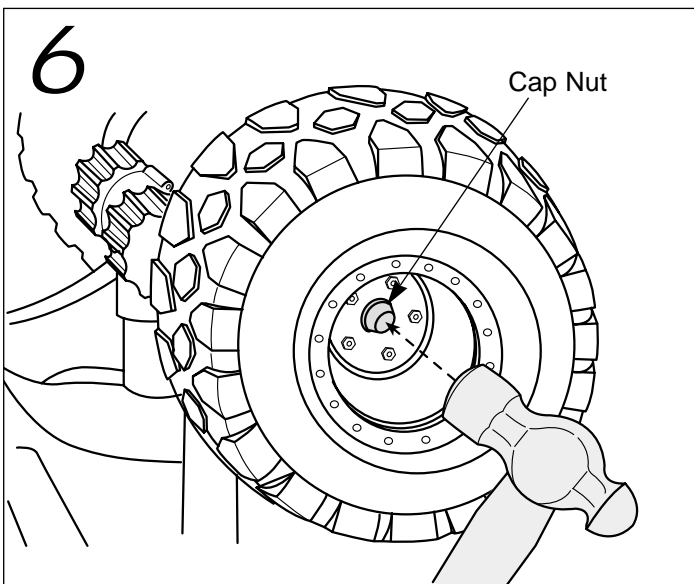


- Fit a hubcap on the rear axle and slide it into the center of the rear wheel.

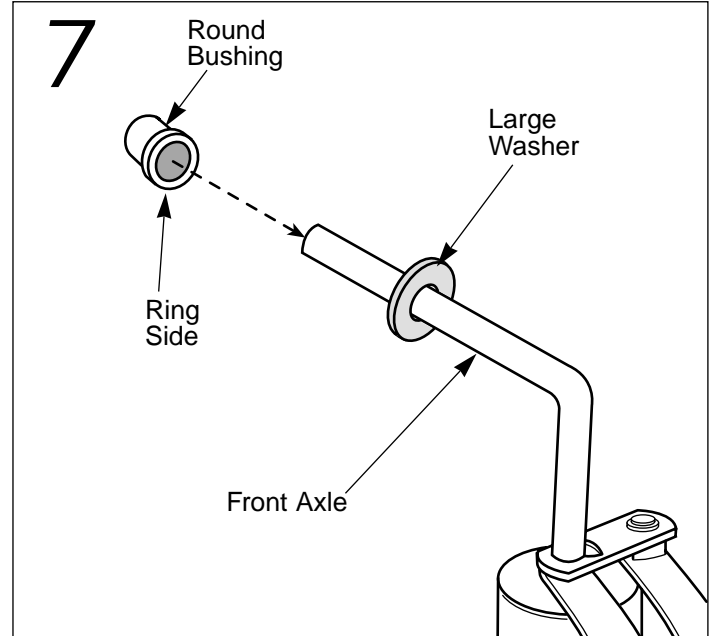
# Assembly



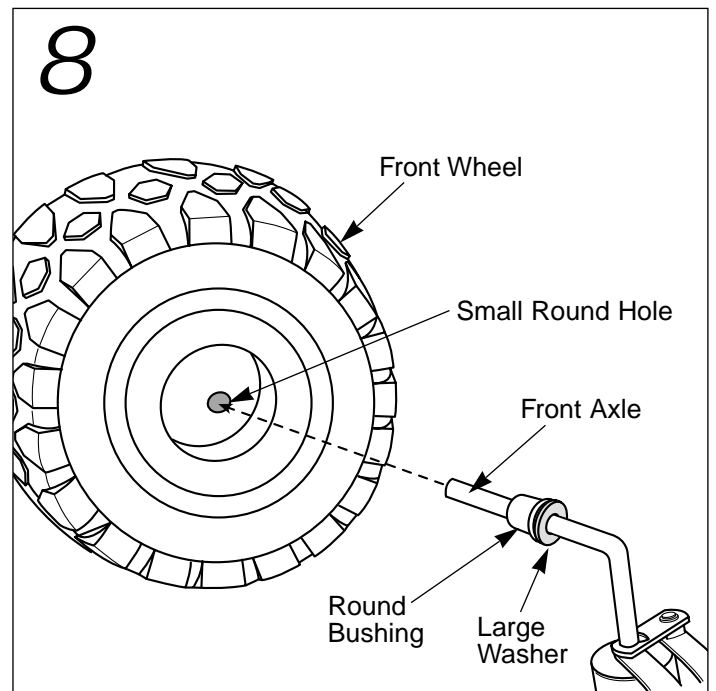
- Slide a hex bushing onto the rear axle. The ring side of the hex bushing should face out.
- Press firmly to fit all but the ring on the end of the hex bushing into the rear wheel.



- Fit a cap nut on the end of the rear axle.
- Tap the cap nut with a hammer to secure it on the end of the rear axle.
- Pull on the wheel to make sure the cap nut is securely fastened.
- Repeat this procedure to assemble the other rear wheel to the other rear axle.

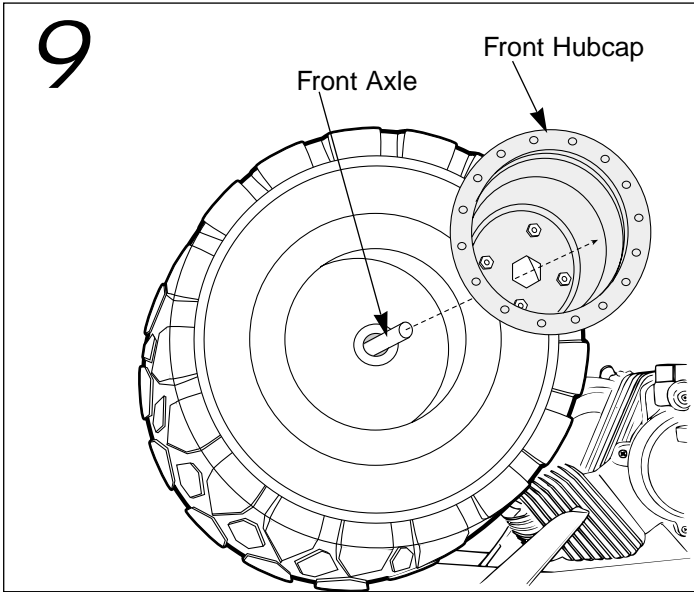


- Slide a large washer onto the front axle.
- Slide a round bushing onto the front axle, ring side first.

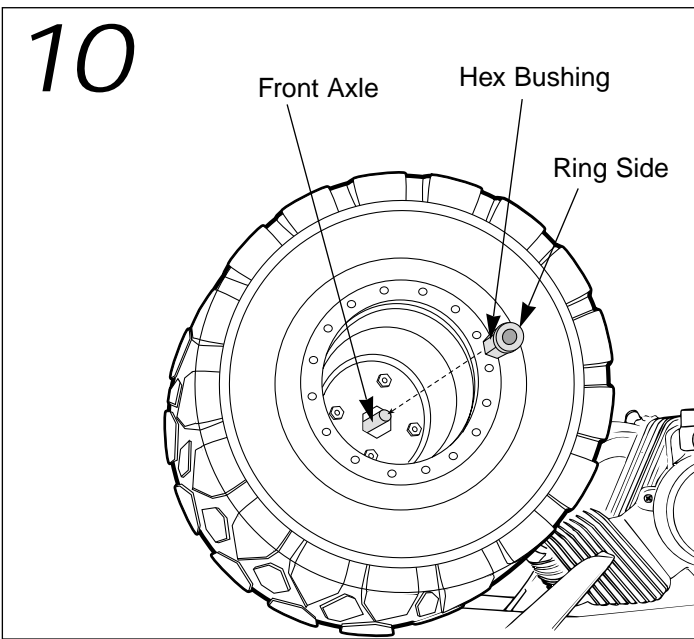


- Slide a front wheel, small round hole first, onto the front axle.

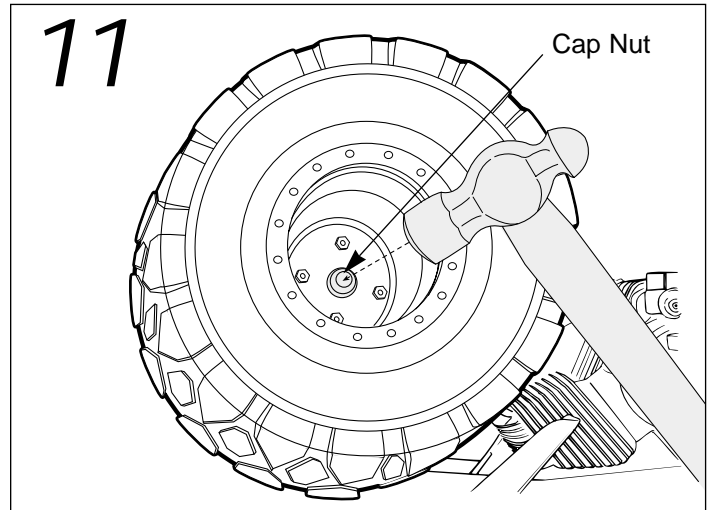
# Assembly



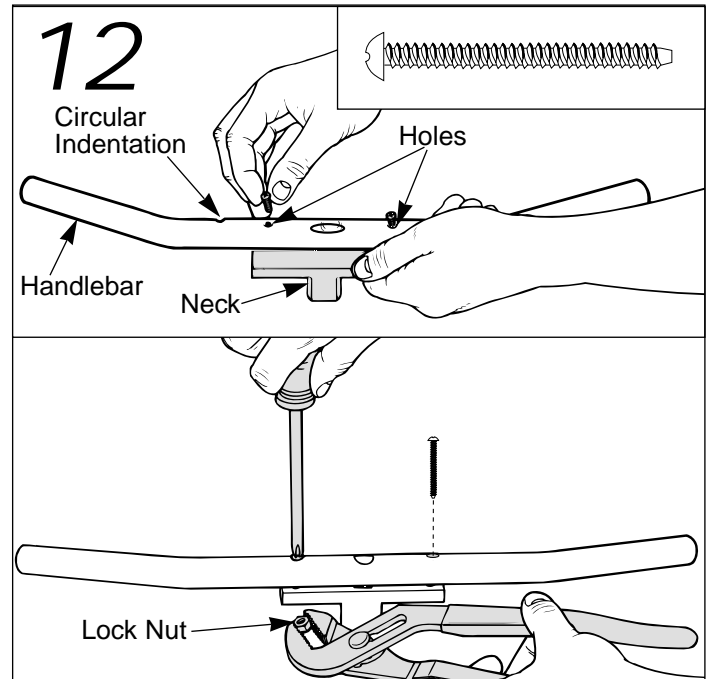
- Fit a hubcap on the front axle and slide it into the center of the front wheel.



- Slide a hex bushing onto the front axle. The ring side of the hex bushing should face out.
- Press firmly to fit all but the ring on the end of the hex bushing into the front wheel.

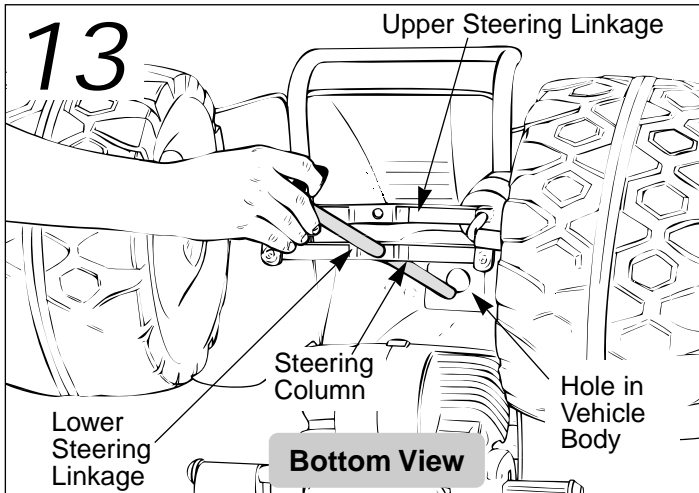


- Fit a cap nut on the end of the front axle.
- Tap the cap nut with a hammer to secure it on the end of the front axle.
- Pull on the wheel to make sure the cap nut is securely fastened.
- Repeat this procedure to assemble the other front wheel to the other front axle.
- Set the vehicle body aside.



- Position the handlebar so that the side with the three holes and circular indentation faces up.
- Fit the neck against the bottom of the handlebar, with the holes in the handlebar and neck aligned.
- Insert a 1 $\frac{1}{2}$ " screw down through each of the two outer holes in the handlebar and then through the neck.
- Fit a lock nut on the end of each screw.
- Using pliers to steady the lock nuts, tighten each screw with a Phillips screwdriver. Do not over-tighten.

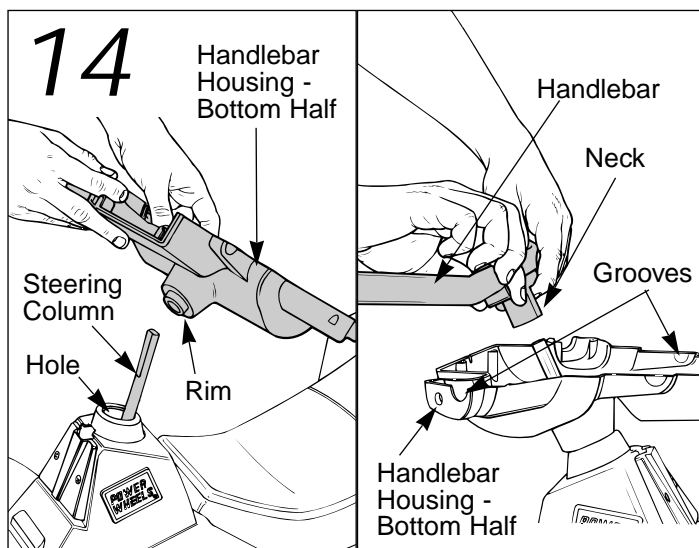
# Assembly



- Slide the straight end of the steering column through the hole in the lower steering linkage and out through the hole in the vehicle body.
- Insert the curved end of the steering column into the hole in the upper steering linkage.

**Helpful Hint:** If it is difficult to complete this assembly step, you can reverse it. Slide the straight end of the steering column through the hole in the upper steering linkage and fit the curved end into the hole in the lower steering linkage.

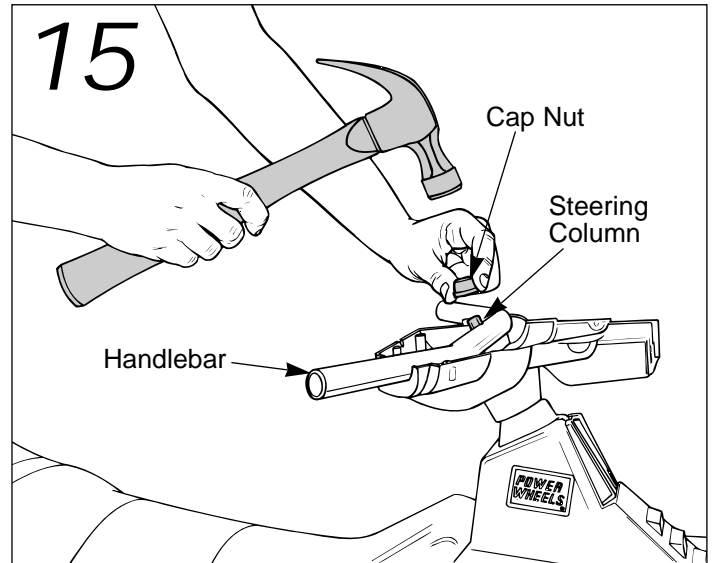
- Position the vehicle body upright.



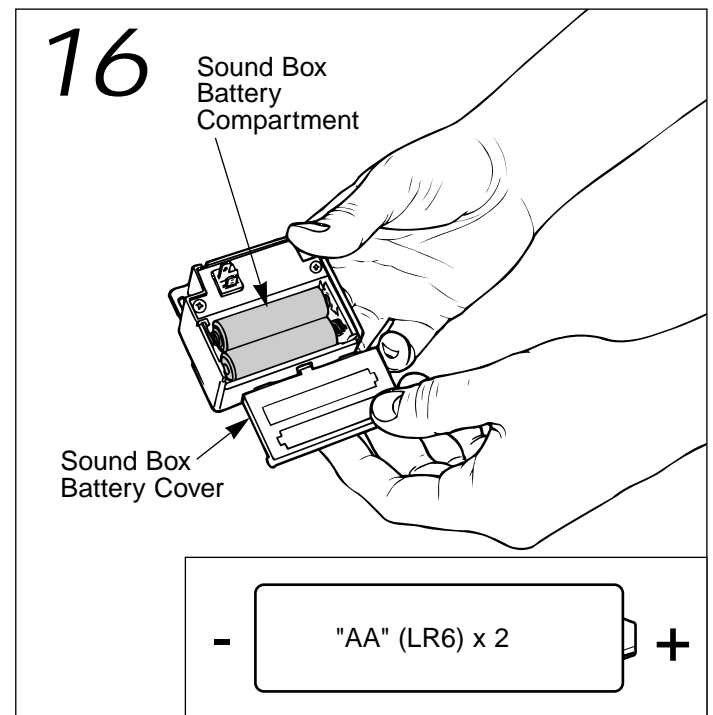
**Helpful Hint:** You may want the help of another adult to support the steering column near the steering linkage while assembling the handlebar to the vehicle body.

- Using safety scissors, remove the top and bottom halves of the handlebar housing from the plastic connector. Dispose of the plastic connector.
- Slide the bottom half of the handlebar housing onto the end of the steering column. Make sure the rim on the bottom of the handlebar housing fits into the hole in the vehicle body.
- Slide the handlebar, neck side down, onto the end of the steering column. Make sure the handlebar arms fit into the grooves in the handlebar housing.

13



- Push firmly on the handlebar to make sure that the bottom half of the handlebar housing and the handlebar are fully seated on the vehicle body.
- Fit a cap nut on the end of the steering column.
- Tap the cap nut with a hammer to secure it on the end of the steering column.
- Pull up on the handlebar to make sure the assembly is secure.



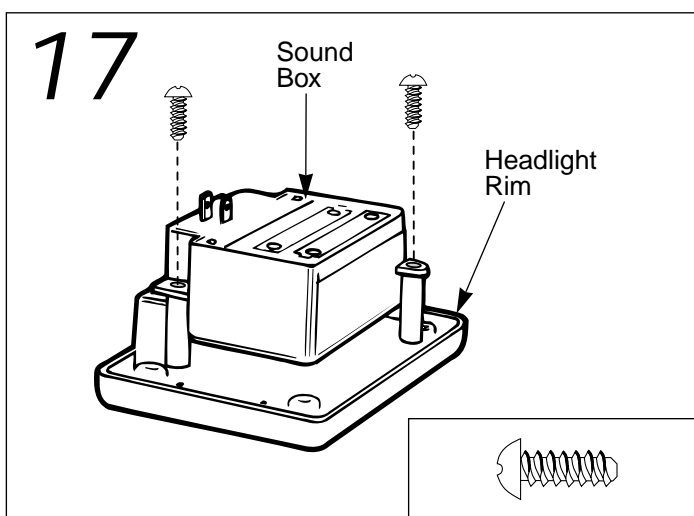
- Unplug the sound box wire harness connectors from the sound box.
- Set the sound box wire harness aside.
- Open the sound box battery cover and remove the sound box screw from inside the battery compartment.
- Insert two "AA" (LR6) alkaline batteries into the battery compartment as indicated on the battery compartment cover.

# Assembly

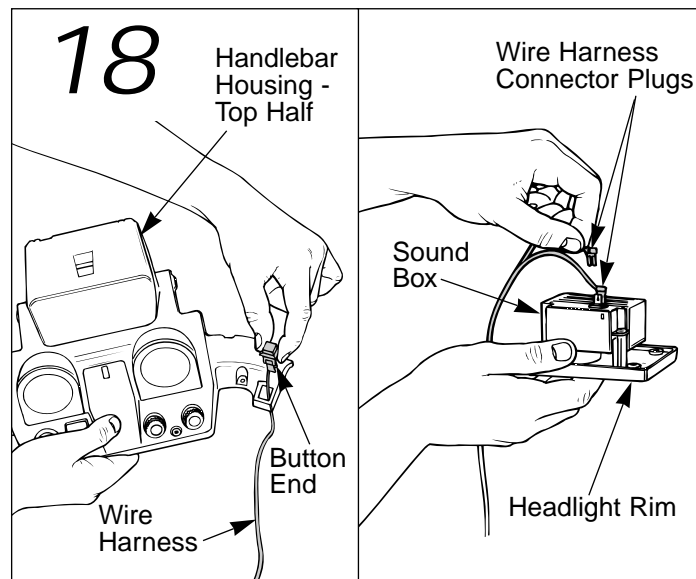
- Replace the battery compartment cover and insert the sound box screw through the hole in the cover.
- Tighten the screw with a Phillips screwdriver. Do not over-tighten.

## Battery Tips:

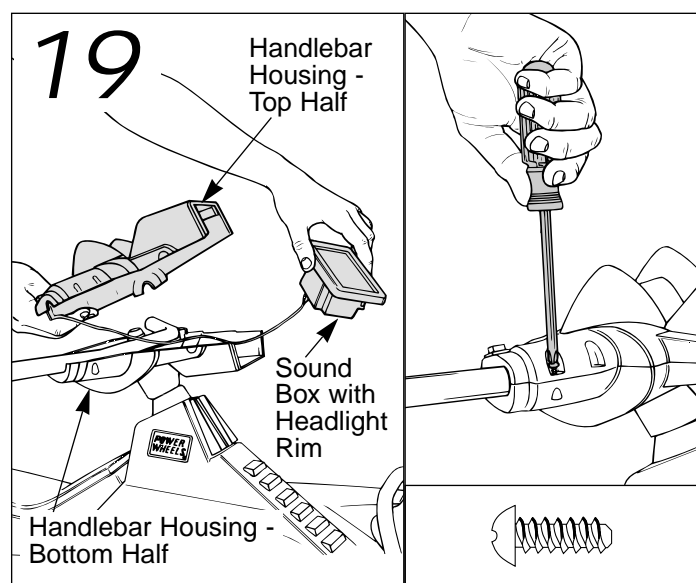
- Do not mix old and new batteries.
- Do not mix different types of batteries: alkaline, standard (carbon-zinc) or rechargeable (nickel-cadmium) batteries.
- Remove batteries during long periods of non-use. Always remove exhausted batteries from the sound box. Battery leakage and corrosion can damage the sound box.
- Never short circuit the battery terminals.
- Non-rechargeable batteries are not to be recharged.
- Only batteries of the same or equivalent type as recommended in these instructions are to be used.
- If removable rechargeable batteries are used, they are to be charged only under adult supervision.
- Rechargeable batteries are to be removed from the sound box before they are charged.
- Battery chargers used with the toy must be examined regularly for damage to the cord, plug, enclosure and other parts. In the event that such damage is found, the toy must not be used with the battery charger until the damage has been repaired.



- Fit the speaker on the sound box against the sound vent on the headlight rim. Make sure the screw holes on the sound box and headlight rim are aligned.
- Insert two 1/2" screws (black) through the holes and tighten the screws with a Phillips screwdriver. Do not over-tighten.

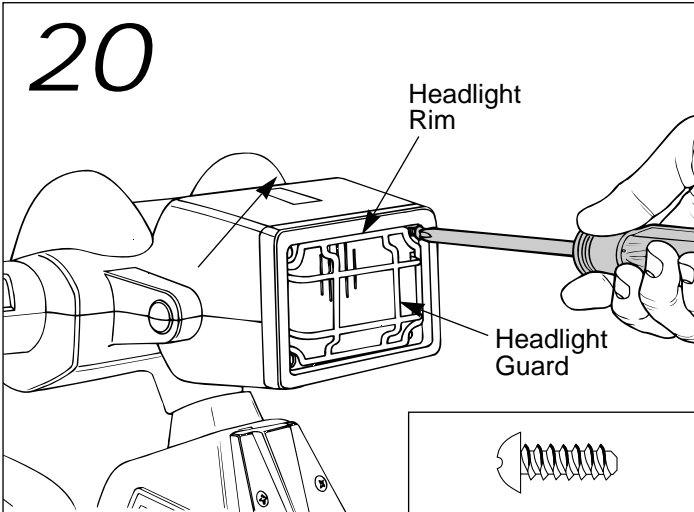


- Fit the connector plug end of the sound box wire harness down through the square opening in the top half of the handlebar housing.
- Press firmly to snap the button into the top half of the handlebar housing.
- Reconnect the wire harness connector plugs to the sound box.
- Press the sound button. If the sound box does not work, check the fit of the connector plugs to the sound box and/or the orientation of the batteries in the sound box.

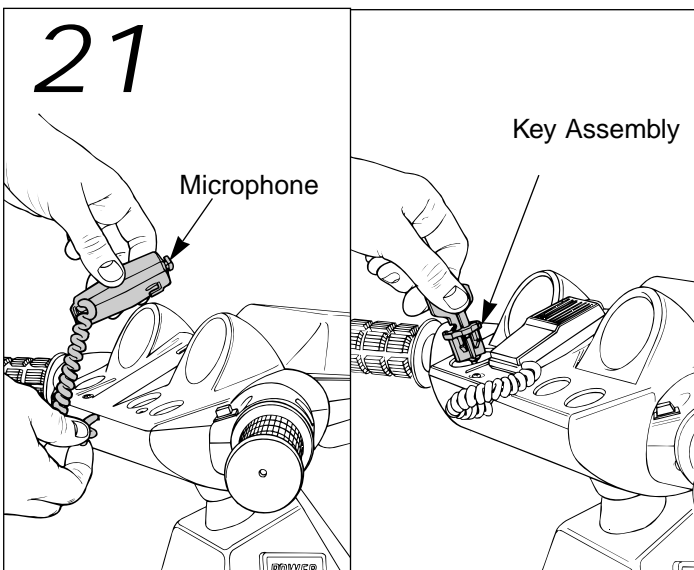


- Fit the top half of the handlebar housing onto the bottom half of the handlebar housing. Make sure the wire harness is inside the handlebar housing, with the sound box extending through the opening at the front.
- Insert six 1/2" screws (black) through the holes in the handlebar housing halves and tighten the screws with a Phillips screwdriver. Do not over-tighten.

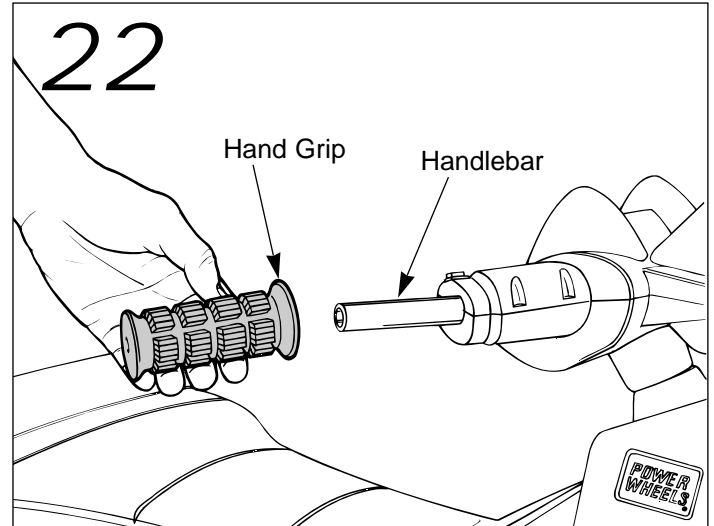
# Assembly



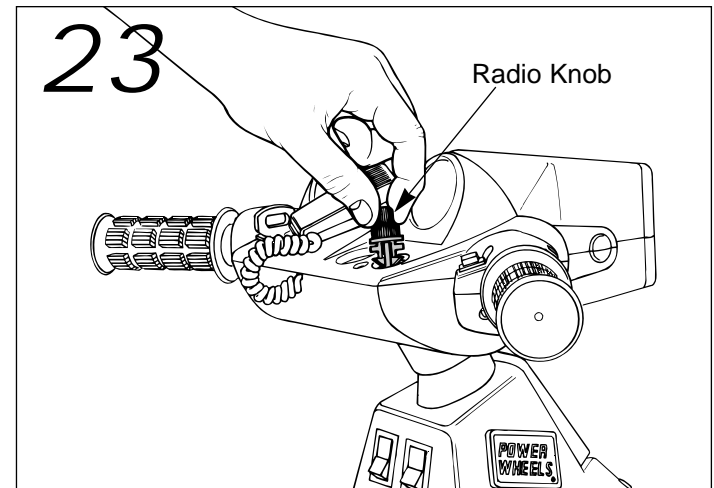
- Fit the headlight rim against the opening at the front of the handlebar housing, with the headlight guard facing out.
- Insert four  $\frac{1}{2}$ " screws (black) through the holes in the headlight rim and tighten the screws with a Phillips screwdriver. Do not over-tighten.



- Bend the plastic tip at the end of the microphone cord so that it forms a "T".
- Insert the plastic tip through the hole in the handlebar housing, where the two halves meet.
- Pull lightly on the microphone cord to make sure it is secure in the dash.
- Fit the tab on the back of the microphone into the hole in the center of the dash to hook it to the dash.
- Snap the key assembly into the large hole in the dash.



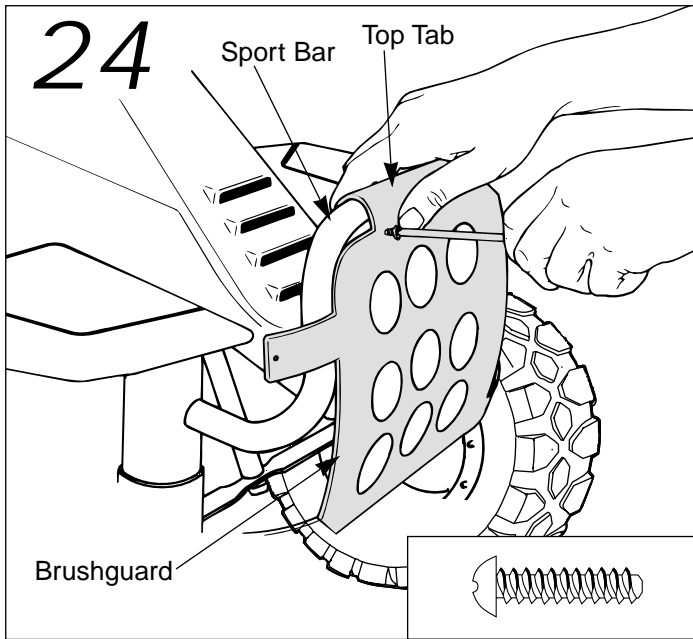
- Fit a hand grip onto each end of the handlebar. If it is difficult to slide the hand grips onto the handlebar, moisten the hand grips with warm water first.



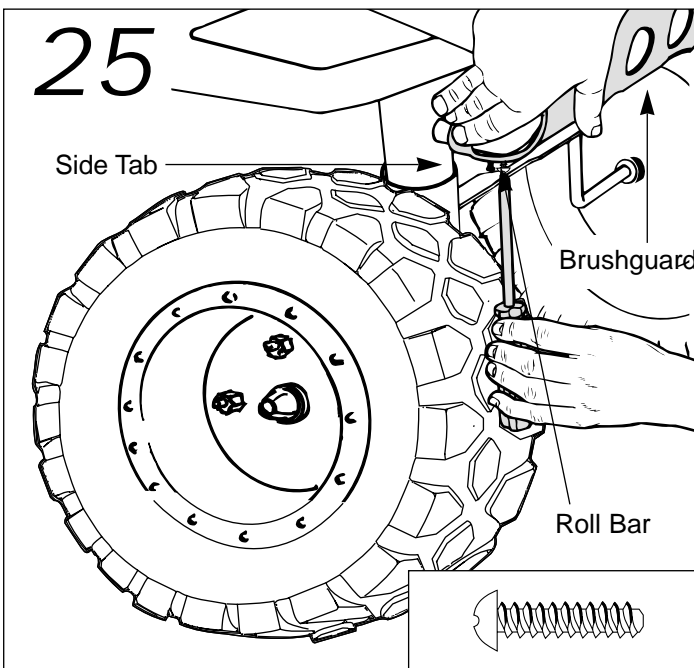
- Snap the radio knobs into the holes in the dash.



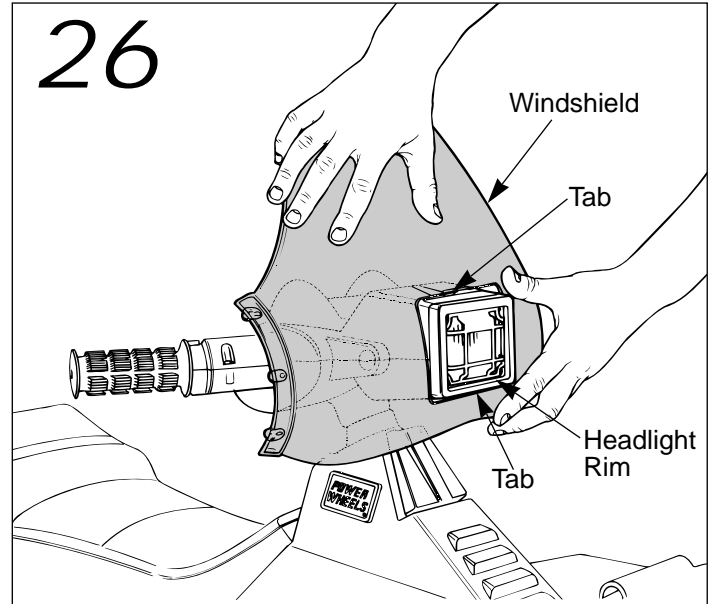
# Assembly



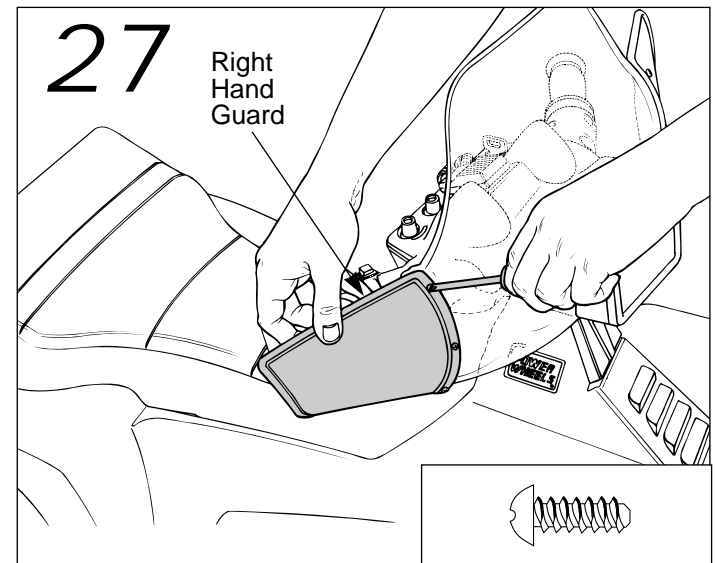
- Wrap the tab at the top of the brushguard around the top of the sport bar.
- Insert two  $\frac{3}{4}$ " screws through the holes in the front of the brushguard and into the screw pegs on the brushguard tab.
- Tighten the screws with a Phillips screwdriver. Do not over-tighten.



- Wrap one of the brushguard side tabs around the roll bar.
- Insert a  $\frac{3}{4}$ " screw through the hole in the brushguard side tab and into the screw peg on the side tab.
- Tighten the screw with a Phillips screwdriver. Do not over-tighten.
- Repeat this procedure to secure the other three brushguard side tabs around the roll bar.



- Fit the opening in the center of the windshield over the headlight rim.
- Snap the tabs on the windshield into the slots in the upper and lower handlebar housings.

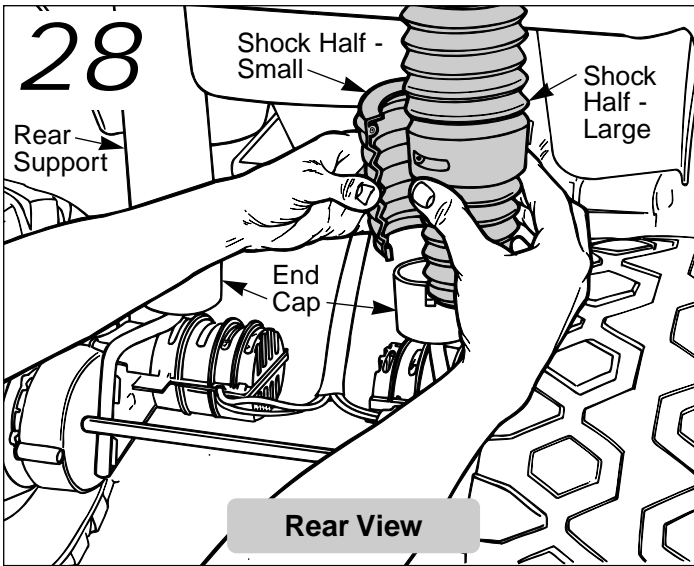


- Using safety scissors, remove the hand guards from the plastic connector. Dispose of the plastic connector.
- Align the holes in the right hand guard with the screw pegs on the right side of the windshield. The hand guard fits against the inside surface of the windshield.

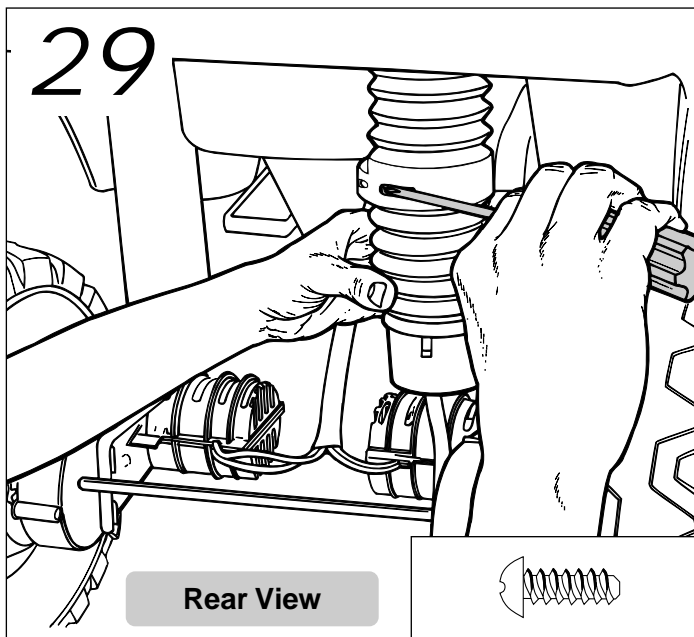
**Please Note: The right hand guard is marked "R". The right side of the windshield is also marked "R".**

- Insert three  $\frac{1}{2}$ " screws (black) through the windshield and into the hand guard.
- Tighten the screws with a Phillips screwdriver. Do not over-tighten.
- Repeat this procedure to assemble the left hand guard to the left side of the windshield.

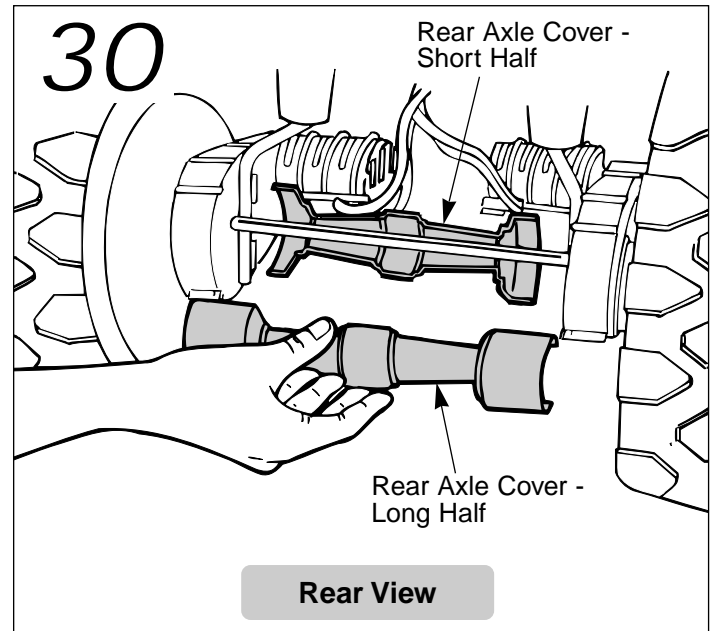
# Assembly



- Fit the large half of one shock set against one of the rear supports. Make sure the end of the large shock half fits into the end cap at the bottom of the support.
- Fit the small half of the shock set against the other side of the rear support. Make sure the screw holes in the two shock halves are aligned.



- Insert two  $\frac{1}{2}$ " screws (black) through the holes in the shock set halves.
- Tighten the screws with a Phillips screwdriver. Do not over-tighten.
- Repeat this procedure to assemble the other shock set to the other rear support.



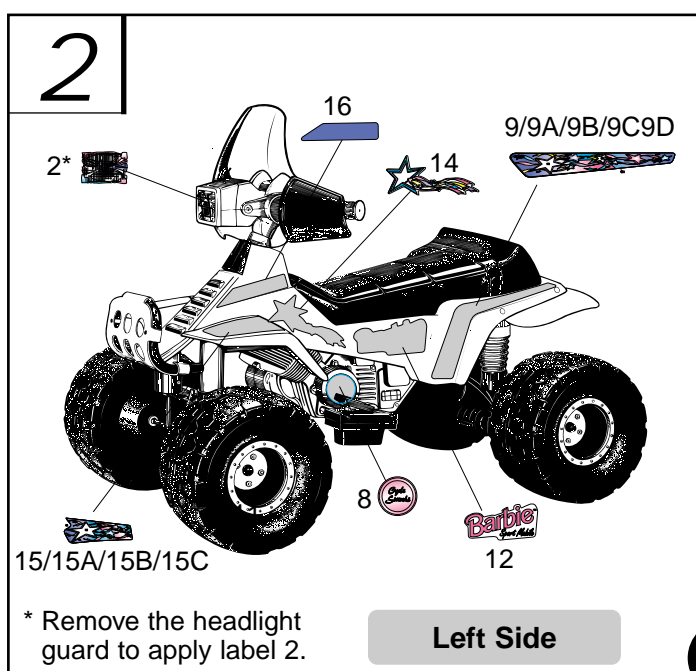
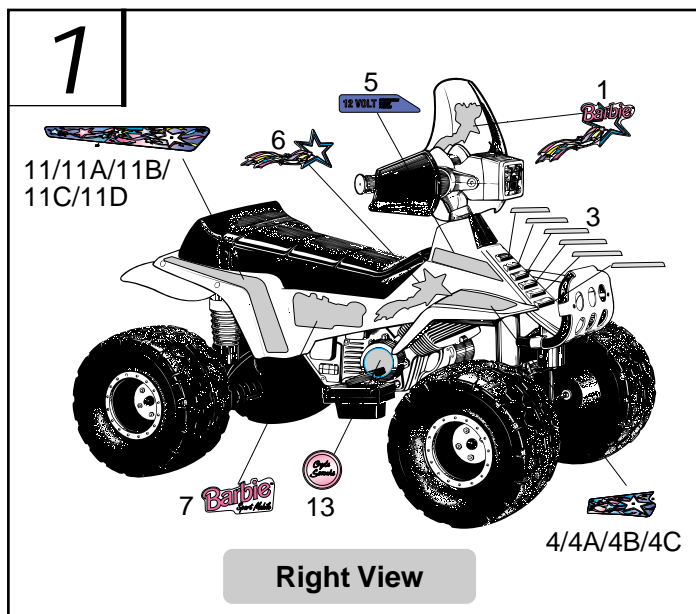
- Position the short half of the rear axle cover behind the rear axle and snap it onto the rear axle.
- Position the long half of the rear axle cover in front of the rear axle and snap it into place.

# G

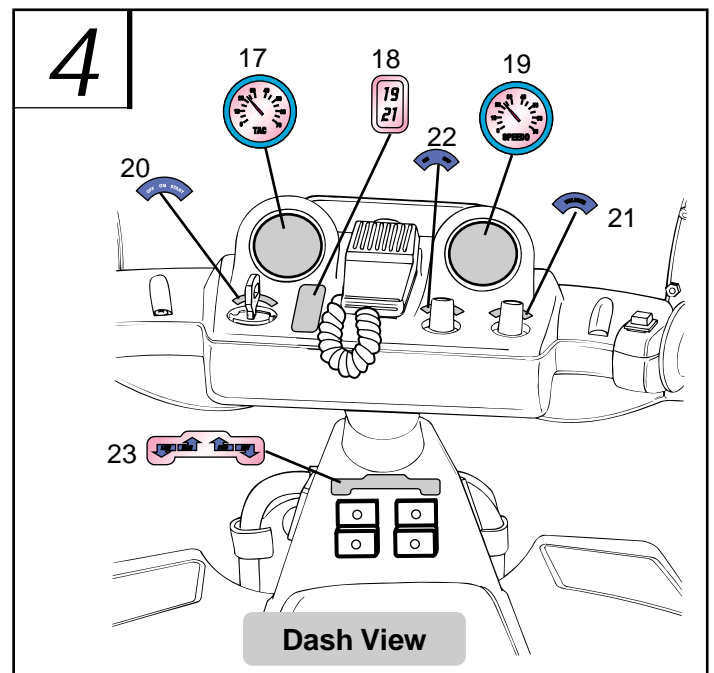
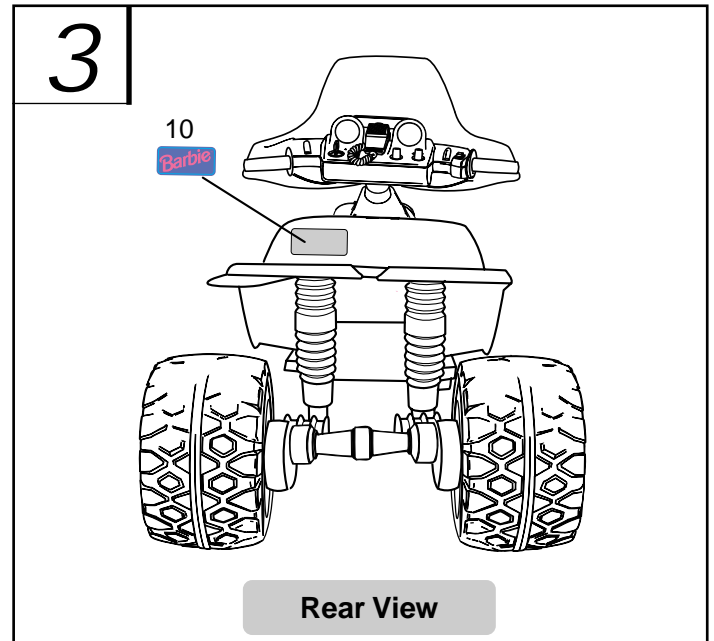
## Label Decoration

Proper label application will help to keep the labels looking their best! When applying labels, keep the following guidelines in mind:

- Wash your hands before applying the labels.
- Before applying the labels, wipe the surface of the vehicle with a clean, dry cloth to remove any dust or oils.
- Place the labels exactly as shown in the illustrations.
- For best results, avoid repositioning a label once it has been applied to the vehicle.
- **After applying a label, rub the label firmly with a clean, dry cloth to make sure the label is adhered to your vehicle. Start at the center of a label, and smooth towards the outer edges to remove air bubbles.**



\* Remove the headlight guard to apply label 2.

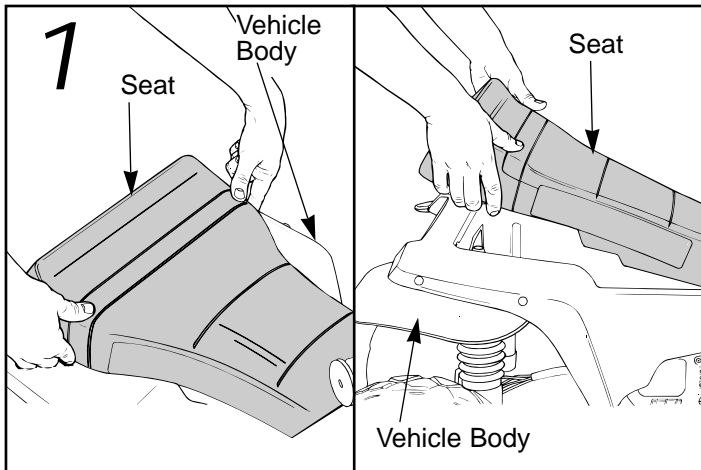


We've included extra star labels so you can customize your vehicle by applying them wherever you choose!

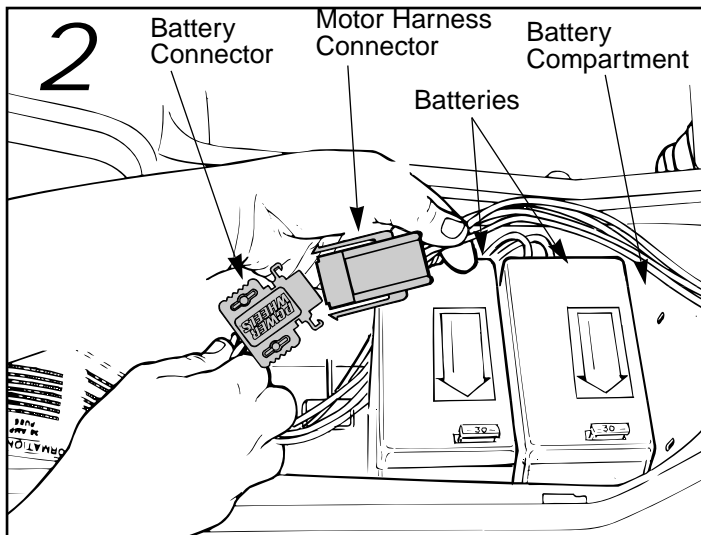
# H

## Battery Installation

**Important Note:** Use only Power Wheels® Type H batteries with Power Wheels® 30 amp fuses installed. Use of any other batteries or fuses will damage your vehicle. Make sure that you charge the batteries for at least 18 hours using the enclosed Power Wheels® 12 Volt charger before operating your vehicle for the first time. Charge the batteries for at least 14 hours after each use of the vehicle. Never charge the batteries longer than 30 hours. Failure to follow these instructions may damage your batteries and will void your warranty.

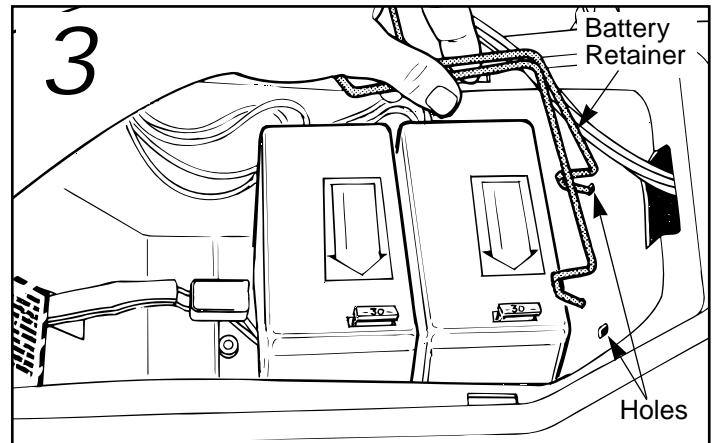


- Push in on the sides of the seat to unsnap it from the vehicle body.
- Lift the back of the seat to remove it from the vehicle body.

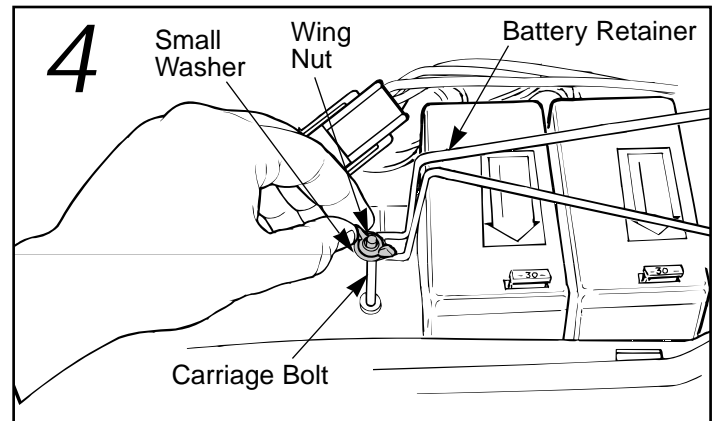


- Place the batteries upright in the battery compartment. Make sure the battery connectors are snapped together and that they extend toward the side of the vehicle.
- Squeeze the tabs on each side of the motor harness connector.
- Plug the battery connector into the motor harness connector.

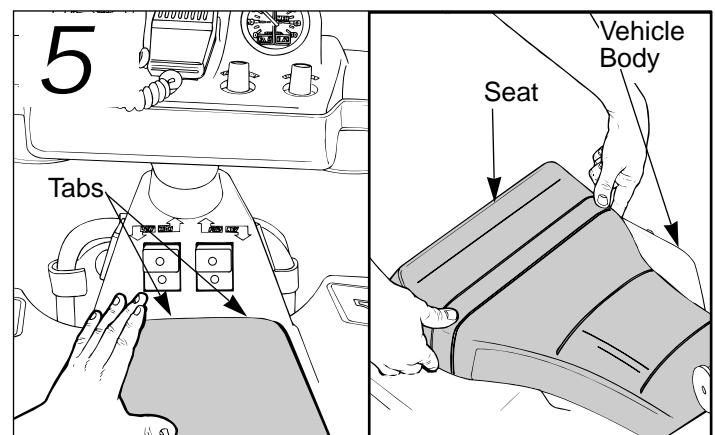
**Please Note:** If the battery connector will not plug into the motor harness connector, turn it over and try again! Do not force the battery connector into the motor harness connector.



- Insert the ends of the battery retainer into the holes in the vehicle body.



- Lower the battery retainer over the batteries.
- Fit the carriage bolt up through the hole in the underside of the vehicle body and through the end loop in the battery retainer.
- Fit the small washer onto the carriage bolt.
- Fit the wing nut onto the carriage bolt.
- Tighten the wing nut. Do not over-tighten.



- Fit the tabs on the front of the seat into the slots in the vehicle body.
- Press down on the back of the seat to snap the tabs on each side of the seat into the vehicle body.

## Care

**If a battery leak develops**, avoid contact with the leaking acid and place the damaged battery in a plastic bag. See information below for proper disposal.

**If acid comes in contact with skin or eyes**, flush with cool water for at least 15 minutes and call a physician.

**If acid is internally ingested**, give water, milk of magnesia or egg whites immediately. Never give emetics or induce vomiting. Call a physician.

- Charge new batteries for at least 18 hours before first use. Never charge the batteries longer than 30 hours. Overcharging or undercharging the batteries may shorten battery life and decrease vehicle running time.
- After the first charge, recharge the batteries for at least 14 hours after each use. Never charge the batteries longer than 30 hours. Charge the batteries after each use, regardless of how long the vehicle was used.
- The batteries must be upright while charging.
- Do not allow the batteries to run down completely before charging.
- Charge the batteries before storing the vehicle.
- Charge the batteries at least once per month, even if the vehicle has not been used.
- Leaving the batteries in a discharged condition will ruin them.
- Do not store the batteries in temperatures above 75° F or below -10° F.
- When you purchase replacement Power Wheels® Type H batteries, you should buy them as a set. Using an older battery with a new battery may result in poor performance and may cause permanent damage to both batteries. Remember to charge new batteries for at least 18 hours before first use.
- Prevent the batteries from moving freely inside the battery compartment. Always use the battery retainer to secure the batteries in the battery compartment.
- Examine the batteries, charger and their connectors for excessive wear or damage each time you charge the battery. If damage is detected, do not use the charger or the batteries until you have replaced the worn or damaged part.
- Attempting to charge the batteries without 30 amp fuses or with a blown fuse will not damage the batteries, but they will not charge. Check the fuses to make sure they are in good condition each time you charge the batteries.

## Disposal

- Your Power Wheels® batteries are sealed lead-acid batteries. They must be recycled or disposed of in an environmentally sound manner.
- Do not dispose of a lead-acid battery in your regular, household trash. The incineration, landfilling or mixing of sealed lead-acid batteries with household trash is prohibited by law in most areas.
- Return the batteries to a federal or state approved lead-acid battery recycler, such as a Power Wheels® authorized service center, or a local seller of automotive batteries. In Minnesota, call 1-800-348-0751 if further disposal information is required. Contact your local waste management officials for other information regarding the environmentally sound collection, recycling and disposal of lead-acid batteries.

# J

## Rules for Safe Driving

### **WARNING**

- Adult supervision is required. Children do not have the judgement necessary to avoid many accidents. Be sure that children operating this vehicle can do so safely and that they are supervised at all times.
- Never use near steps, driveways, steep inclines, roadways, alleys, swimming pool areas or other bodies of water.
- Always wear shoes or sneakers when operating this vehicle.
- Never allow more than one rider.
- The rider should sit on the seat when the vehicle is in operation.
- Improper use of this vehicle could lead to a serious or fatal accident. Allow children to play with this vehicle only when you have determined that they can do so safely. Follow all instructions to help your child enjoy this vehicle as safely as possible.

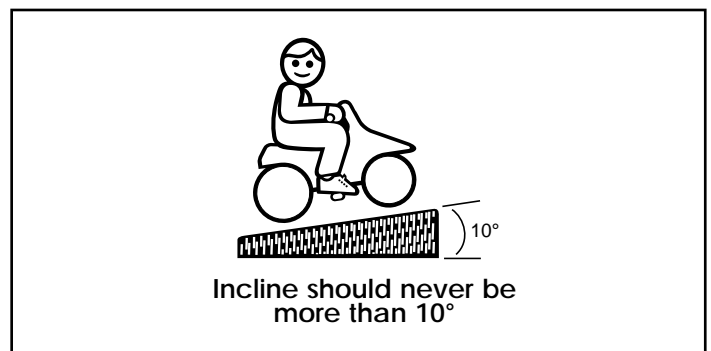
### Teach Safety Rules to Children

While children can quickly develop the skill necessary to drive this vehicle, it is important to remember that their judgment skills are still very immature. Unsupervised driving by children can lead to serious injury. Before children use the BARBIE™ Sport Mobile™, an adult should carefully evaluate the driving area as well as the children's skill level and ability to drive this vehicle safely. Children are not always able to recognize or anticipate hazards, even when they have been taught about them. There is no acceptable substitute for adult supervision.

Teach appropriate safety rules to your child before allowing operation of this vehicle. These rules should also be reviewed with neighborhood children or other playmates who want to drive this vehicle.

1. Do not allow any child to drive the vehicle in the street or near moving (motorized) vehicles.
2. Do not allow any child to drive near bodies of water (such as pools or creeks), obstructions (such as furniture, low tree limbs or play equipment), or drop-offs (such as stairs or decks).
3. Do not allow any child to drive the vehicle in the dark. A child could encounter unexpected obstacles and have an accident. Operate the vehicle only in the daytime or in a well-lit area.

4. Teach your child to avoid driving on steep inclines or slopes. Restrict your child's driving to areas that are fairly level with gentle inclines or slopes of no more than 10°.
  - While driving down a steep slope, the vehicle may gain unsafe speed, even if the foot pedal is released to stop.
  - While driving across a steep slope, the vehicle may tilt and tip over. The wheels could lose traction, causing the vehicle to slip.
  - While driving up a steep incline, the motor may stop and the vehicle could roll backwards at an unsafe speed.

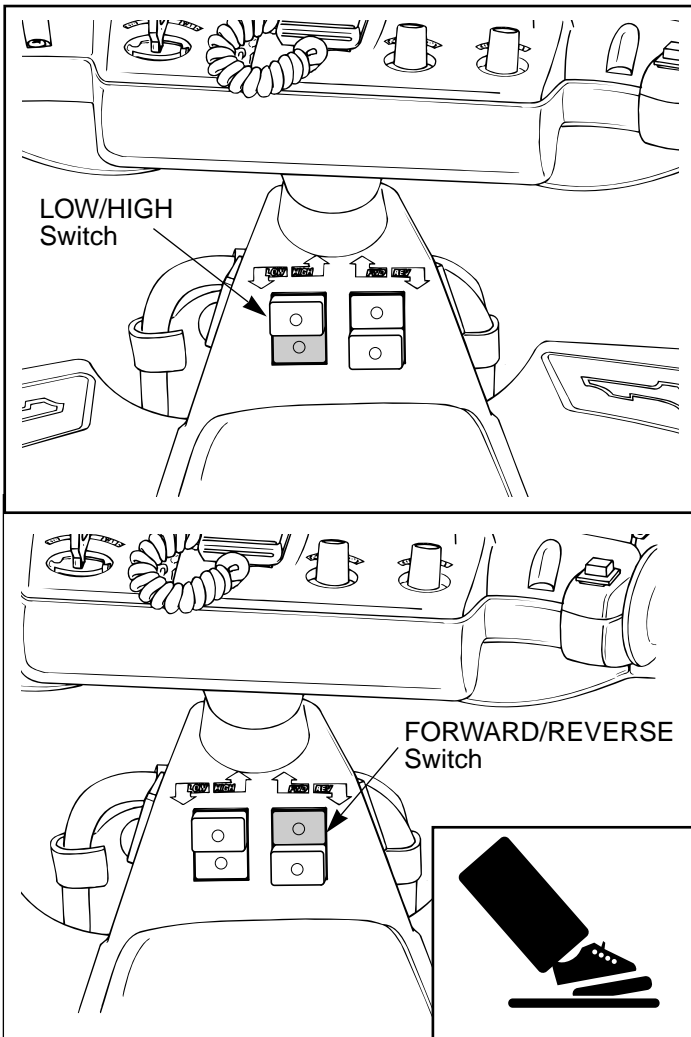


5. Do not operate this vehicle with more than one rider, seated on the seating area. A child who is not sitting on the seat or who is standing on the vehicle could fall off, cause a tip-over or block the driver's view. A child could be seriously injured.
6. Always wear shoes or sneakers when operating this vehicle.
7. Never put anything near any moving parts. Rotating parts such as motors, gear boxes and wheels can snag fingers, hair, etc., causing serious injury. Do not allow operation of the vehicle when it is on its side or in an upside-down position.
8. Do not operate the vehicle near flammable vapors (gasoline, paint thinner, acetone, liquid wax, etc.). The vehicle's electrical switches, like most electrical switches, emit an internal spark when first turned on or turned off. The presence of flammable liquids or vapors could cause an explosion or a fire. Keep all flammable products in tightly sealed containers and away from the vehicle.
9. Do not allow a child to operate the vehicle without proper adult supervision. To prevent unsupervised use of the vehicle, disconnect the motor harness from the battery when the vehicle is not in use.  
**To disconnect the motor harness connector and battery connector:**
  - Remove the seat.
  - Squeeze the tabs on the motor harness connector to unplug it from the battery connector.
  - Re-assemble the seat.

# K

## How to Operate Your Vehicle

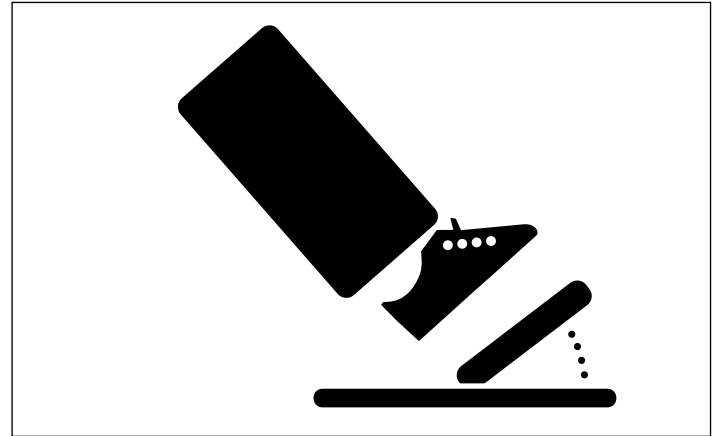
### Beginner Use - Low Speed Drive



As assembled, your vehicle is ready to roll in low speed (2½ mph, maximum).

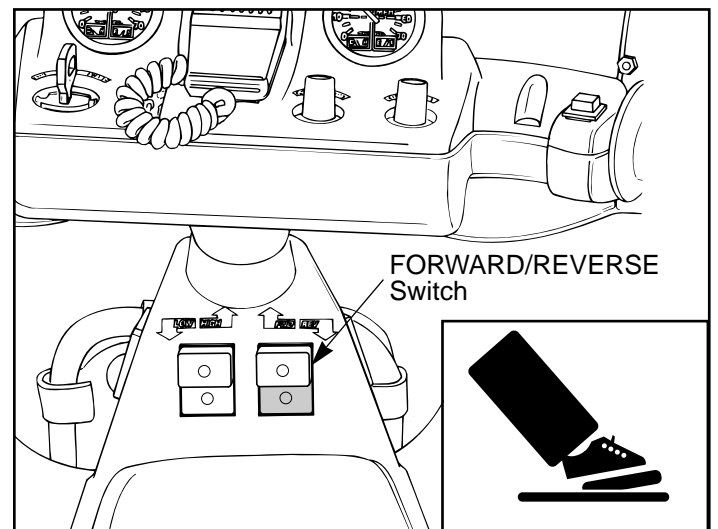
- Push the bottom button on the LOW/HIGH switch to set the vehicle to drive in low speed.
- Push the top button on the FORWARD/REVERSE switch to set the vehicle to drive forward.
- Push down on the foot pedal. The vehicle will drive forward.
- Help your child practice steering to learn how far and how quickly to turn the handlebar when driving forward.

### To Stop



- Your vehicle has a patented, electronic braking system that automatically stops the vehicle when your child's foot is lifted from the pedal.
- Make sure your child is comfortable with steering the vehicle and automatically knows how to stop.

### To Back Up



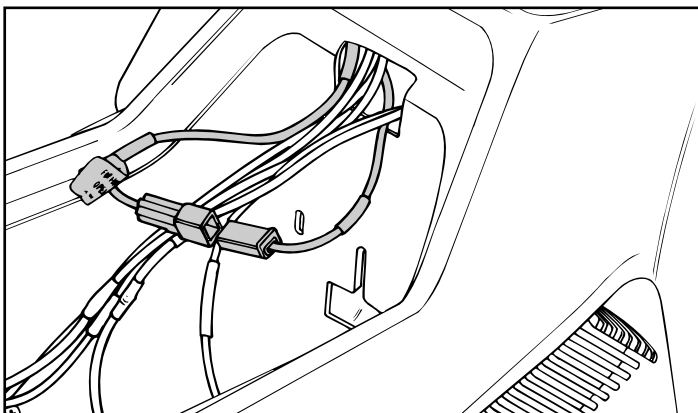
**Please Note: To avoid damaging the motors and gears, make sure to stop the vehicle before switching from forward to reverse.**

- Push the bottom button on the FORWARD/REVERSE switch to set the vehicle to drive in reverse.
- The LOW/HIGH switch can be set to either position; the vehicle speed in reverse is always 2½ mph, maximum.
- Push down on the foot pedal. The vehicle will back up.
- Help your child practice steering to learn how far and how quickly to turn the handlebar when driving in reverse.

# How to Operate Your Vehicle

## Advanced Use - High Speed Drive

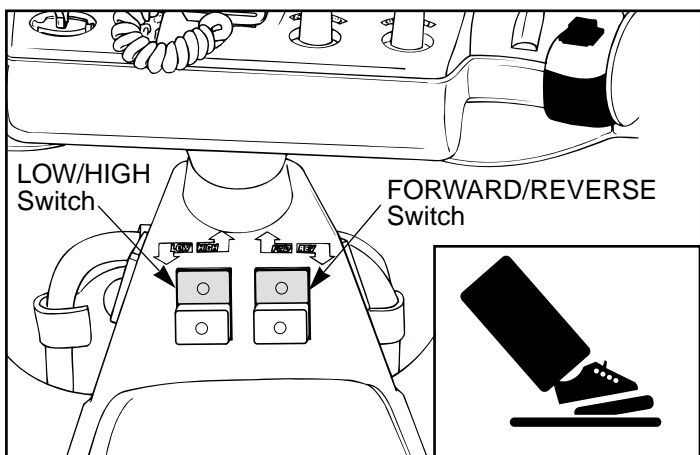
### Connecting the High Speed Hook-Up



Before you connect the high speed hook-up, make sure your child knows how to start and stop the vehicle and knows the rules for safe driving. When the high speed hook-up is connected, the vehicle can be driven forward in low speed (2½ mph, maximum) or high speed (5 mph, maximum).

- Remove the seat.
- Plug the high speed connectors together.
- Re-assemble the seat.

### To Drive:



**Please Note: To avoid damaging the motors and gears, make sure to stop the vehicle before switching speeds.**

- Push the top button on the LOW/HIGH switch to set the vehicle to drive in high speed.
- Push the top button on the FORWARD/REVERSE switch to set the vehicle to drive forward.
- Push down on the foot pedal. The vehicle will drive forward.
- Help your child practice steering to learn how far and how quickly to turn the handlebar when driving forward.

- Stopping in high speed is the same as stopping in low speed. When your child's foot is lifted from the pedal, the vehicle automatically stops.
- Backing up in high speed is the same as backing up in low speed. The LOW/HIGH switch can be in either the LOW or HIGH position because the vehicle speed in reverse is always 2½ mph, maximum.



## Caring For Your Vehicle

- Check all nuts, bolts, and their protective coverings regularly and tighten as required. Check plastic parts on a regular basis for cracks or broken pieces.
- During snowy or rainy weather, the vehicle should be stored inside or under a protective cover. Remember to charge the batteries at least once per month while your vehicle is not in regular use.
- Avoid operating the vehicle in wet or snowy conditions, and do not spray the vehicle with a hose. Do not wash the vehicle with soap and water. Water or moisture in the motors or electrical switches can cause them to corrode, and could cause switch or motor failure.
- Avoid operating the vehicle on sand, loose dirt or gravel. Sand, loose dirt or gravel in the motors or electrical switches can cause them to jam, and could cause switch or motor failure.
- The vehicle can be wiped down with a soft, dry cloth. For a shiny finish, you can wipe plastic parts with a non-wax furniture polish applied to a soft-cloth. Do not use automotive wax. Do not use soap and water or spray the vehicle with a hose.
- To ensure that your vehicle stays in good operating order, we recommend that you periodically have your vehicle checked by a Power Wheels® authorized service center. See page 28 for the list of authorized service centers or call **1-800-348-0751** for the location of the authorized service center nearest you.



**IMPORTANT!** If you experience a problem with your vehicle, first check the Problems and Solutions Guide below. If you still experience a problem, please contact Power Wheels® Consumer Affairs, toll-free at 1-800-348-0751 between 8 AM and 6 PM (EST) Monday through Friday. Or, contact your local Power Wheels® authorized service center. For the location nearest you, please refer to the Authorized Service Center list beginning on page 28.

Problem	Possible Cause	Solution
Vehicle does not run	Undercharged batteries	Charge the batteries. New batteries should have been charged for at least 18 hours before using the vehicle for the first time. After first-time use, recharge the batteries for at least 14 hours after each use. Never charge the batteries longer than 30 hours.
		Check all connectors. Make sure the battery connector is tightly plugged into the charger connector, and that the charger is plugged into the wall.
		Make sure power flow to the wall outlet is "ON".
	Charger is not working	There is no sure way to tell if your charger is working unless you have a volt meter. If you suspect there is a problem with your charger, contact your local Power Wheels® authorized service center. They can test your charger for you.
	Wrong type or improperly installed fuse	Make sure that the batteries have properly installed Power Wheels® 30 amp fuses before charging. For best performance, do not use substitute parts.
	Blown fuse	Make sure that the fuses in the batteries are in good condition. Remove the fuses from the batteries and make sure they are not blown. Replace a blown fuse with a Power Wheels® 30 amp fuse. For best performance, do not use substitute parts.
	Loose wire or loose connectors	Check all wires and connectors. Make sure the battery connector is tightly plugged into the motor harness connector, and that there are no loose wires around the motors.
	Dead batteries	If your batteries are old or if you have not followed Battery Care instructions, your batteries may be dead. If you are unsure whether or not the batteries are dead, you can have them tested at your local Power Wheels® authorized service center.
	Electrical switch damage	The electrical switches can become corroded due to exposure to water or moisture, or can jam due to loose dirt, sand or gravel. Contact your local Power Wheels® authorized service center for diagnosis and repair.
Motor damage	Contact your local Power Wheels® authorized service center for diagnosis and repair.	

# Problems and Solutions Guide

Problem	Possible Cause	Solution
Vehicle was running but suddenly stopped	Loose wire or loose connectors	Check all wires and connectors. Make sure the battery connector is tightly plugged into the motor harness connector, and that there are no loose wires around the motors.
	Wrong type or improperly installed fuse	Make sure that the battery has properly installed Power Wheels® 30 amp fuses installed before charging. For best performance, do not use substitute parts.
	Blown fuses	Make sure that the fuses in the batteries are in good condition. Remove the fuse from the battery and make sure they are not blown. Replace a blown fuse with a Power Wheels® 30 amp fuse. For best performance, do not use substitute parts.
	Vehicle is overloaded	Make sure you do not overload the vehicle by allowing more than 1 rider at one time, by exceeding the 65 lbs. maximum weight capacity, or by towing objects behind the vehicle. If the vehicle is overloaded, it will automatically shut down. The vehicle will reset itself after approximately 20 seconds. Reduce the load on the vehicle to prevent additional automatic shut-downs.
	Driving conditions are too stressful	Use only on gentle inclines or slopes of 10° or less. Extreme temperatures can also affect run time. If the driving conditions are too stressful, the vehicle will automatically shut down. The vehicle will reset itself after approximately 20 seconds. Adjust the driving conditions to prevent additional automatic shut-downs.
Short run time (Less than 1 - 3 hours per charge)	Undercharged batteries	Charge the batteries. New batteries should have been charged for at least 18 hours before using the vehicle for the first time. After first-time use, recharge the batteries for at least 14 hours after each use. Never charge the batteries longer than 30 hours.
		Check all wires and connectors. Make sure the battery connector is tightly plugged into the charger connector, and that the charger is plugged into the wall.
		Make sure power flow to the wall outlet is "ON".
	Overcharged batteries	Do not charge the batteries longer than 30 hours. If you suspect that your batteries are damaged as a result of overcharging, contact your local Power Wheels® authorized service center. They can test your batteries for you.
	Batteries are old and will not accept full charge	Even with proper care, a rechargeable battery does not last forever. Average battery life is 1 to 3 years depending on vehicle use and use conditions. For best performance, do not use substitute parts.
	Wrong type or improperly installed fuse	Make sure that the batteries have properly installed Power Wheels® 30 amp fuses before charging. For best performance, do not use substitute parts.
Driving conditions are too stressful	Use only on gentle inclines or slopes of 10° or less. Extreme temperatures can also affect run time. If the driving conditions are too stressful, the vehicle will automatically shut down. The vehicle will reset itself after approximately 20 seconds. Adjust the driving conditions to prevent additional automatic shut-downs.	

# Problems and Solutions Guide

Problem	Possible Cause	Solution
Vehicle runs sluggishly	Undercharged batteries	Charge the batteries. New batteries should have been charged for at least 18 hours before using the vehicle for the first time. After first-time use, recharge the batteries for at least 14 hours after each use. Never charge the batteries longer than 30 hours.
		Check all connectors. Make sure the battery connector is tightly plugged into the charger connector, and that the charger is plugged into the wall.
		Make sure power flow to the wall outlet is "ON".
	Batteries need charging	After approximately 3 hours of constant use, the batteries need charging.
	Wrong type or improperly installed fuses	Make sure that the batteries have properly installed Power Wheels® 30 amp fuses installed before charging. For best performance, do not use substitute parts.
	Batteries are old and will not accept full charge	Even with proper care, rechargeable batteries do not last forever. Average battery life is 1 to 3 years depending on the vehicle use and use conditions. Replace the battery with a Power Wheels® Type H 6 volt battery. For best performance, do not use substitute parts.
	Vehicle is overloaded	Make sure you do not overload the vehicle by allowing more than 1 rider at one time, exceeding the 65 lbs. maximum weight capacity, or by towing objects behind the vehicle. If the vehicle is overloaded, it will automatically shut down. The vehicle will reset itself after approximately 20 seconds. Reduce the load on the vehicle to prevent additional automatic shut-downs.
Driving conditions are too stressful	Use only on gentle inclines or slopes of 10° or less. Extreme temperatures can also affect run time. If the driving conditions are too stressful, the vehicle will automatically shut down. The vehicle will reset itself after approximately 20 seconds. Adjust the driving conditions to prevent additional automatic shut-downs.	
Sometimes the vehicle doesn't run, but other times it does	Loose wire or connector	Check all wires around the motors and all connectors to make sure they are tight.
	Motor or electrical switch damage	Contact your local Power Wheels® authorized service center for diagnosis and repair.
When the foot pedal is pressed, the vehicle won't run without a push	Loose wire or connector	Check all wires around the motors and all connectors to make sure they are tight.
	"Dead Spot" on motor	Contact your local Power Wheels® authorized service center for diagnosis and repair.

# Problems and Solutions Guide

Problem	Possible Cause	Solution
Vehicle constantly blows fuses	Wrong type of fuse used	Your vehicle requires Power Wheels® 30 amp fuses, one in each battery. Make sure the Power Wheels® 30 amp fuses are properly installed in the batteries. For best performance, do not use substitute parts.
	Child is switching between FORWARD and REVERSE or LOW and HIGH without stopping.	Teach your child to stop the vehicle before switching between FORWARD and REVERSE or LOW and HIGH.
Loud clacking or grinding noise from a motor-gearbox	Broken gears	Contact your local Power Wheels® authorized service center for diagnosis and repair.
Charger gets warm during use	It is normal for some chargers to get warm during use and is not reason for concern. Some chargers do not get warm during use.	No action required.
		If your charger does not get warm during use, it does not mean that it is not working properly.
Batteries make a sizzling or gurgling noise when charging	It is normal for some batteries to make noise and swell slightly while charging and is not reason for concern. Some batteries do not make noise or swell while charging.	No action required.
		If your batteries do not make noise or swell slightly during charging, it does not mean that they are not accepting the charge.

If, after reviewing the Problems and Solutions Guide, the vehicle still fails to operate, please contact your nearest authorized service center (see page 28) or contact Power Wheels® Consumer Affairs toll-free at **1-800-348-0751**.  
**Helpful Hint:** For faster service when calling Consumer Affairs, completely charge the batteries before calling and have the following available by the phone:

- vehicle,
- vehicle model number (see sticker in battery compartment),
- vehicle production run number (see sticker in battery compartment),
- Phillips screwdriver, slotted screwdriver and needle-nose pliers with plastic or rubber handles,
- an extra Power Wheels® 30 amp fuse is helpful.

# N

## Statement of Limited Warranty

### 90-day limited warranty for the Power Wheels® Ride-On Toy Vehicle

### A 6-month battery warranty applying only to those 6 volt batteries which were included by Power Wheels®, with the Power Wheels® vehicle when originally purchased.

This limited warranty covers the Power Wheels® ride-on vehicle and the 6 volt batteries, purchased from Power Wheels® by the original purchaser, against defects in materials and workmanship.

This warranty covers normal use and does not cover the Power Wheels® vehicle or batteries if damaged by unreasonable use, neglect, accident, abuse, misuse, improper service or other causes not arising out of defects in materials or workmanship. Evidence of any attempt at consumer repair will void this warranty. This warranty does not cover, and is intended to exclude, any liability on the part of Power Wheels®, whether

under this warranty or implied by law or any indirect or consequential damages for breach of warranty. Some states do not allow the exclusion or limitation so this limitation may not apply to you.

Should you need service or assistance with your vehicle during the warranty period, DO NOT RETURN THE VEHICLE TO THE STORE. Power Wheels® has provided a nationwide network of authorized service centers. Please refer to the list in this manual. Power Wheels® is continually expanding our Authorized Service Center Network. If there is not an authorized service center in your area, please call Consumer Affairs for information, **1-800-348-0751**.

This warranty gives you specific legal rights, and you may also have other rights which may vary from state to state.

PLEASE SAVE YOUR ORIGINAL SALES RECEIPT.

# O

## Authorized Service Centers

We are continually expanding our Authorized Service Center Network. Please check this listing for the authorized service center nearest you. If there is not one in your area, please call Power Wheels® Consumer Affairs at 1-800-348-0751.

### ALABAMA

**BIRMINGHAM** - Frigid Service & Sales, 701 Graymont Ave. North, 35203, (205) 323-5831

**BIRMINGHAM** - Frigid Service & Sales, 1861 Centerpoint Rd., 35215, (205) 853-3952

**BIRMINGHAM (HOMEWOOD)** - D & R Appliance Company, 154 West Valley Ave., 35209, (205) 942-3959

**CULLMAN** - Robert G. Werner Company, 1115 4th Street S.W., 35055, (205) 734-5673

**DECATUR** - Peddler II, 1000 B Beltline Road, 35603, (205) 350-1044

**DOTHAN** - Bill's Appliance Service, 208 Bic Road, P.O. Box 1192, 36303, (334) 792-7746

**DOUGLAS** - Brown Hardware, Highway 75, 35964, (205) 593-6086

**HUNTSVILLE** - C & G Appliance, 307 Jordan Lane, 35805, (205) 837-4551

**MOBILE** - Foster's Appliance Repair, 1660 South Beltline Highway, 36693, (334) 666-2670

**MONTGOMERY** - Acme Service Co., 2603 Highland Ave., 36107, (205) 264-2456

**TUSCALOOSA (NORTHPORT)** - Frigid Service & Sales, 2813 Lurleen B. Wallace Blvd., 35476, (205) 339-3624

### ALASKA

**ANCHORAGE** - Ken's Electronics Service, 360 E. International, Ste. 8, 99518, (907) 562-3443

### ARIZONA

**GLENDALE** - Elliott Electric Appliance Service, 6242 N. 43rd Avenue, 85301, (602) 937-2613

**SCOTTSDALE** - Elliott Electric, 7515 E. McDowell Road, 85257, (602) 946-7487

**TUCSON** - Arizona Small Appliance Service Co., 5033 E 5th Street, 85711, (520) 325-3988

### ARKANSAS

**FT. SMITH** - Bromley Appliance Service, 614 North 10th Street, 72901, (501) 782-9646

**HOT SPRINGS** - The Battery Center, 400 Airport Road, 71913, (501) 624-7144

**JONESBORO** - Best Sewing & Vacuum & Repair, 2235 S. Caraway Road, 72401, (501) 935-4739, (800) 844-4739

**LITTLE ROCK** - C & W Tool Repair, 1303 W. Markham, 72201, (501) 374-1911

**MENA** - Bearcat Starter & Alt., 801 Petros, 71953, (501) 394-0320

**ROGERS** - Kressel's Vacuum & Repair, 115 North 5th Street, 72756, (501) 636-7894

**STUTTGART** - Davis Lumber Company, 301 East Michigan, 72160, (501) 673-3601

### CALIFORNIA

**ANDERSON** - Hardware Express/ Do It Best, 2681 Balls Ferry Road, 96007, (916) 365-3783

**BAKERSFIELD** - Southwest TV, 6300 White Lane, Suite B, 93309, (805) 397-4940

**CONCORD** - California Electric Service Center, 1170-G Burnett Avenue, 94520, (510) 827-1011

**COVINA** - California Electric Service Center, 612 Shoppers Lane, 91723, (818) 915-4935

**DUBLIN** - California Electric Service, 8947 San Ramon Road, 94568, (510) 551-3390

**FONTANA** - California Electric Service Center, 9794 Sierra Avenue, 92335, (909) 355-2500

**FORT JONES** - Ft. Jones Frontier Hardware, 11911 Main Street, 96032, (916) 468-2266

**FRESNO** - Valley Small Appliance, 4005 E. Ashlan Avenue, 93726, (209) 224-5530

**FULLERTON** - California Electric Service Center, 1208 E. Ash Avenue, 92631-5020, (714) 870-0900

**LOS ALAMITOS** - California Electric Service Center, 11284 Los Alamitos Blvd., 90720, (310) 430-2668

**MERCED** - Moosehead Electronics, 920 W. 18th Street, 95340, (209) 723-4712

**MISSION VIEJO** - California Electric Service Center, 23725 Via Fabricante, Unit B, 92691, (714) 586-9440

**OAKLAND** - California Electric Service Center, 1139 E. 12th Street, 94606, (510) 834-1050

**OXNARD** - Terry's Inc., The Clean-up Store, 1237 Saviers Road, 93033, (805) 487-9401, (800) 845-3223

**PASADENA** - California Electric Service Center, 2594 E. Colorado Blvd., 91107, (818) 792-3194

**SACRAMENTO** - California Electric Service Center, 1821 "Q" Street, 95814, (916) 443-5711

**SAN CARLOS** - California Electric Service Center, 990 Industrial Road, Suite 102, 94070, (415) 593-6696

**SAN DIEGO** - California Electric Service Center, 3430 El Cajon Blvd., 92104, (619) 283-6488

**SAN FRANCISCO** - California Electric Service Center, 1090 Bryant Street, 94103, (415) 431-8494

**SAN JOSE** - California Electric Service Center, 783 The Alameda, 95126, (408) 295-1723

**SANTA ANA** - California Electric Service Center, 2025 South Main Street, 92707, (714) 641-0529

**SANTA ROSA** - Hardisty's Inc., 710 Farmers Lane, 95405, (707) 545-0535

**STOCKTON** - California Electronics, 929 North Yosemite Street, 95203, (209) 466-5432



# Authorized Service Centers

8741 Mylander Lane, 21286, **(410)** 321-9033  
**BERLIN** - Myers Auto-Power Tool Rental Co., Inc., 10714 Ocean Gateway, 21811, **(410)** 641-3497  
**GAITHERSBURG** - Waters Appliance Service, 216 E. Diamond Avenue, 20877, **(301)** 258-7500, **(800)** 225-5009  
**SALISBURY** - Cycle and Sports Outlet, 2505 N. Salisbury Blvd., 21801, **(410)** 860-0400  
**TANEYTOWN** - MacHenry Services, 68 Frederick Street, 21787, **(410)** 756-6659, **(800)** 276-1301  
**WASHINGTON D.C. (BELTSVILLE)** - Philips Consumer Electronics, 10800 Rhode Island Avenue, 20705, **(301)** 595-5330, **(800)** 438-9647

## MASSACHUSETTS

**BOSTON (MEDFIELD)** - Wills Hardware, 5 Janes Avenue, 02052, **(508)** 359-4381  
**BOSTON (WALTHAM)** - Suburban Appliance Service Center, Inc., 271 Moody Street, 02154, **(617)** 893-6694  
**LOWELL** - Lowell Appliance Service Center, Inc., 564 Dutton Street, 01854, **(508)** 454-8731  
**MAYNARD** - Gramp's Garage, 16 Main Street, 01754, **(508)** 461-0463  
**QUINCY** - Appliance Service and Parts, Inc., 582 Washington Street, Route 3A, 02169, **(617)** 773-6656  
**SALEM** - Fix Master, Inc., 190 North Street, 01970, **(508)** 745-0004  
**SPRINGFIELD** - Utility Electric Service, Inc., 810 Main Street, 01101, **(413)** 781-1635

## MICHIGAN

**ALMONT** - Almont Hardware, 4545 Van Dyke, P.O. Box 511, 48003, **(810)** 798-8922  
**BAY CITY** - Bay Vac & Pedal, 805 Columbus Ave., 48708, **(517)** 892-7516  
**BRIGHTON** - Complete Battery Source, 8023 W. Grand River, 48116, **(810)** 220-1050  
**DEARBORN** - McNichols Electric Service, 1836 Grindley Park, 48124, **(313)** 563-7550  
**DETROIT** - McNichols Electric Service, 13725 W. McNichols, 48235, **(313)** 342-6070, **(800)** 562-4226  
**DETROIT (ROYAL OAK)** - McNichols Electric Service, 4115 West 13 Mile Road, 48072, **(810)** 288-5135  
**FLINT (DAVISON)** - Gill-Roy's Hardware, 8405 East Davison, 48423, **(810)** 653-2288  
**FLINT (SWARTZ CREEK)** - Gill-Roy's Hardware, 9061 Miller Road, 48473, **(810)** 635-2020  
**GRAND RAPIDS** - Superior Appliance Service Co., 1050 Scribner Avenue, NW, 49504, **(616)** 459-3271  
**JACKSON** - Hammond Hardware, 1800 Francis St., P.O. Box 7, 49204, **(517)** 782-0704  
**KALAMAZOO** - Bill Coleman TV, 3938 S. Westnedge, 49008, **(616)** 344-1200  
**LANSING** - Rapid Appliance Service, Inc., 1454 E. Michigan Avenue, 48912, **(517)** 485-1320  
**MIDLAND** - Knopic's Do-It Center, 3128 Jefferson Ave., 48640, **(517)** 832-2774  
**PRUDENVILLE** - Ford's Do-It Center, 841 W. Houghton Lake Drive, 48651, **(517)** 366-7622  
**TRAVERSE CITY** - De Weese Hardware Inc., 1029 Carver Street, 49685, **(616)** 947-7670

## MINNESOTA

**BRAINERD** - Diggz Motor Sports, 4299 Hwy. 371 North, 56401, **(218)** 828-8088  
**DULUTH** - All Brand Mr. Fixit, 16 West First Street, 55802, **(218)** 722-1499  
**DULUTH** - Mr. Fix it - Metro Appl. Service Center, Inc., 2020 W. Superior St., 55806, **(218)** 722-9063  
**MINNEAPOLIS (ST. LOUIS PARK)** - Barness, 4631 Excelsior Blvd., 55416, **(612)** 926-0521  
**ROCHESTER** - Robert's Electronics, 611 6th Ave. NW, 55901, **(507)** 282-2140  
**ST. PAUL** - Barness, 1573 University Avenue, 55104, **(612)** 646-3109

## MISSISSIPPI

**HATTIESBURG** - Champion Cycle & Fitness, 2625 Lincoln Road, 39402, **(601)** 264-8233, **(800)** 273-4158  
**IUKA** - W. H. Fairless Hardware Co., Inc., 117 Fulton Street, 38852, **(601)** 423-2233, **(800)** 797-9457  
**JACKSON (RIDGELAND)** - Propeller Service, 291 Hwy. 51, Suite D6, 39157, **(601)** 856-3191

**MERIDIAN** - Broadmoor Home Center, 2420 Old North Hills Street, P.O. Box 3280, 39305, **(601)** 483-7373  
**NATCHEZ** - Western Auto, 180 Seargent Prentiss Dr., 39120, **(601)** 445-4186  
**STARKVILLE** - East Mississippi Lumber Co., 300 Russell Street, 39759, **(601)** 323-3554

## MISSOURI

**INDEPENDENCE** - Mar-Beck Appliance Service Co., 4476 South Noland Road, 64055, **(816)** 478-1889  
**KANSAS CITY** - Mar-Beck Appliance Service Co., 303 W. 79th Street, 64114, **(816)** 523-6931  
**KANSAS CITY (GLADSTONE)** - Mar-Beck Appliance Serv. Co., 6559 N. Oak Traffic Way, 64118, **(816)** 436-9191  
**POPLAR BLUFF** - Mills Iron & Supply, 1919 S. Westwood Blvd., 63901, **(573)** 785-2628  
**SPRINGFIELD** - Mar-Beck Appliance Service Co., 2704 S. Glenstone Avenue, 65804, **(417)** 882-3070  
**ST. LOUIS** - Authorized Appliance, Inc., 2355 Hampton Road, 63139, **(314)** 647-4250  
**ST. LOUIS** - Brand Service Center, Inc., 1624 S. Broadway, 63104, **(314)** 231-0751

## MONTANA

**BILLINGS** - Radio Equipment Company, 1120 16th Street West, 59104, **(406)** 256-9778

## NEBRASKA

**GRAND ISLAND** - Mundt's Small Appliance & Vacuum Repair, 1822 W. Northfront Street, 68803, **(308)** 382-5084  
**LINCOLN** - CB Small Appliance, 432 South 11th Street, 68508, **(402)** 475-2546  
**LINCOLN** - Sperry TV, 1115 North 47th St., 68503, **(402)** 464-9181  
**LINCOLN** - Sperry TV, 2013 Highway 2, 68502, **(402)** 464-9181  
**NORTH PLATTE** - Sperry TV, 1855 West A Street, Westfield Shopping Center, 69010, **(308)** 532-5200  
**OMAHA** - Myers Electric Co., 7571 Dodge Street, 68114, **(402)** 393-8388, **(800)** 234-1414  
**OMAHA** - Myers Electric Co., Inc., 1458 South 16th Street, 68108, **(402)** 342-7710

## NEVADA

**LAS VEGAS** - Burney's Commercial Service, Inc., 4480 Aldebaran Avenue, 89103, **(702)** 736-0006  
**MINDEN** - Valley Home & Sport Center, 1587 Highway 395, 89423, **(702)** 782-5111

## NEW JERSEY

**EAST RUTHERFORD** - Philips Consumer Electronics, 180 Manor Road, 07073, **(201)** 935-0600  
**HAWTHORNE** - Ter Kuile, Inc., 206 Diamond Bridge Avenue, 07506, **(201)** 423-1142  
**HIGHLAND PARK** - Dash Electronics, 10 N. 2nd Street, 08904, **(908)** 247-5124  
**HOWELL** - South Jersey TV Service, Inc., 4232 Rt. 9 South, 07731, **(908)** 363-5550, **(800)** 244-3094  
**OCEAN** - South Jersey TV Service, Inc., 1719 Route 35, 07712, **(908)** 531-3565  
**SICKLERVILLE** - Sicklerville Hardware, 540 Williamstown Road, 08081, **(609)** 728-3800  
**TOMS RIVER** - South Jersey TV Service, Inc., Stella Towne Center, 1258 Route 166, 08753, **(908)** 505-1771  
**TOTOWA** - Philips Consumer Electronics, 140 J Commerce Way, 07512, **(201)** 890-0586  
**TRENTON** - Tattersall, Inc., 309 N. Willow Street, 08618, **(609)** 393-4293

## NEW MEXICO

**ALBUQUERQUE** - Appliance Service Center, 5505 Silver Avenue, SE, 87108, **(505)** 265-7774  
**CLOVIS** - Burns Hardware, 1511 N. Prince, 88101, **(505)** 769-2528

## NEW YORK

**BAYSHORE, L.I.** - Turnpike Appliance of Suffolk, Inc., 1253 Sunrise Highway, 11706, **(516)** 665-8311  
**BINGHAMTON** - Hardware Fare DO-IT Center, 1139 Front Street, Nimmonsburg Square, 13905, **(607)** 722-9202  
**BUFFALO** - Buffalo Appliance Repair Center, Inc., 20 Pannell Street, 14214, **(716)** 833-4677  
**BUFFALO (WILLIAMSVILLE)** - Hector's Hardware, 876 Maple Road, 14221, **(716)** 688-4488

**COMMACK, L.I.** - Turnpike Appliance Service, 6181 Jericho Turnpike, 11725, **(516)** 499-3355  
**ELMIRA** - Capabilities, Inc., 1149 Sullivan Street, 14901, **(607)** 734-2006  
**GREAT NECK** - Turnpike Appliance Service Center, 45 Northern Boulevard, 11021, **(516)** 466-0644  
**HUDSON** - Sweeps Vacuum & Repair Center, Inc., 705 Warren Street, 12534, **(518)** 828-5457  
**PEEKSKILL** - Clark Appliance & Vacuum Service Corp., 950 Main Street, 10566, **(914)** 737-1368, **(800)** 765-0649  
**POUGHKEEPSIE** - S & S Appliance Sales & Service, 390 Violet Avenue, 12601, **(914)** 452-6122  
**RICHMOND HILL** - Lockdoctor Locksmiths, 104-37 Atlantic Ave., 11418 (718) 441-6242  
**ROCHESTER** - Benfante Appliance Service, 1286 Mt. Hope Avenue, 14620, **(716)** 473-8765  
**SEA CLIFF, L.I.** - Shabra Electronics, 400 Glen Cove Avenue, 11579, **(516)** 671-2218  
**STATEN ISLAND** - Springstead Lumber 6232, 4255 Amboy Road, 10308, **(718)** 984-0300  
**SYRACUSE** - County Wide Appliance, 1001 N. State Street, 13208, **(315)** 479-5253, **(800)** 333-3243  
**TUCKAHOE** - Authorized Appliance of Westchester, 26 Columbus Ave., 10707, **(914)** 961-8011  
**UTICA** - Oneida Bicycle & Sports Center, 2107 Whitesboro St., 13502, **(315)** 724-6084  
**WARWICK** - Wadson Home Center, 60 Forester Avenue, 10990, **(914)** 986-2215, **(800)** 982-2215 (NY only)  
**W. HEMPSTEAD L.I.** - Turnpike Appliance Service, 86 Hempstead Turnpike, 11552, **(516)** 486-5700, **(800)** 628-3911

## NORTH CAROLINA

**ASHEVILLE** - Skyland Hardware, 3179 Sweeten Creek Road, 28803, **(704)** 684-0308  
**CHARLOTTE** - Authorized Appliance Servicenter, 1020 Tuckaseegee Road, 28208, **(704)** 377-4501, **(800)** 532-6127  
**CLINTON** - Danny's Service Center, 119 Vance Street, 28328, **(910)** 592-3200  
**ELIZABETH CITY** - Coastal Office Equipment Co., 501 East Church Street, 27909, **(919)** 335-2927  
**GREENSBORO** - Greensboro Shaver & Appliance, 430 North Eugene Street, 27401, **(910)** 273-1065  
**HICKORY** - First Flight Bicycles, 2435 N. Center Street, 28601, **(704)** 324-9350  
**RALEIGH** - Authorized Appliance Service Center, 800 North Person Street, 27604, **(919)** 834-3476  
**STATESVILLE** - First Flight Bicycles, 216 S. Center St., 28677, **(704)** 878-9683  
**WILMINGTON** - American Tool & Tractor, 102 Eastwood Road, Ste. D-9, 28403, **(910)** 392-5784  
**WINSTON-SALEM** - Authorized Appliance Servicenter, 904 South Marshall Street, 27117, **(910)** 725-5396

## NORTH DAKOTA

**FARGO** - General Parts & Supply Co., 10 S. 18th Street, 58103, **(701)** 235-4161, **(800)** 279-9987

## OHIO

**AKRON** - Advanced Appliance Service Company, 73 W. Exchange Street, 44308, **(216)** 762-8968  
**CANTON** - Appliance Parts Co., 1267 Dueber Avenue, SW, 44706, **(330)** 453-8077  
**CINCINNATI** - H&S Service, 458 Cincinnati Batavia Pike, 45244, **(513)** 528-0808 **(800)** 344-4210  
**CINCINNATI (SILVERTON)** - Brand Service Center, Inc., 6944 Plainfield Road, 45236, **(513)** 793-1170  
**CLEVELAND** - Majors Appliance, 5845 Turney Road, 44125, **(216)** 663-4650  
**CLEVELAND (MENTOR)** - Lake Erie Lawn & Garden, 7833 Munson Rd., 44060, **(216)** 257-9000  
**CLEVELAND (PARMA)** - Majors Appliance, 5785 Ridge Road, 44129, **(216)** 884-7200  
**CLEVELAND (WESTLAKE)** - Philips Consumer Electronics, 24090 Detroit Avenue, 44145, **(216)** 899-2040, **(800)** 331-7037  
**COLUMBUS** - Philips Consumer Electronics, 6333 Busch Blvd., 43229, **(614)** 781-2605  
**DAYTON** - Layer Electric, 603 South Ludlow Street, 45402, **(937)** 224-9608

# Authorized Service Centers

**DAYTON (NEW CARLISLE)** - Ballweg Do-It Center, 3300 South Dayton, Lakeview Rd., 45344, (937) 849-1306  
**LIMA** - Crouse Lumber Do-It Center, 333 E. Market Street, 45801, (419) 229-9070, (800) 826-9663  
**NEW BOSTON** - True Value Toy Town, Rt. 52 & 139, 45662, (614) 456-5704  
**STRYKER** - Short's Hardware, 115 N. Depot Street, 43557, (419) 682-4231  
**TOLEDO** - Broadway Sales and Appliance Repair, 1621 Broadway, 43609, (419) 241-9731, (800) 436-5415  
**YOUNGSTOWN** - O'Connor's, 3224 Market Street, 44507, (330) 782-4705

## OKLAHOMA

**OKLAHOMA CITY** - Brand Service Center, 538 N. Pennsylvania Avenue, 73107, (405) 235-0583  
**TULSA** - H.L. Moss, Inc., 1714 E. 15th Street, 74104, (918) 744-1305, (800) 248-5948

## OREGON

**PORTLAND** - Oregon Appliance Service, 2137 East Burnside Street, 97214, (503) 235-6681

## PENNSYLVANIA

**ALTOONA** - Frye's Sweeper & Sewing Center, Inc., 1400 Valley View Boulevard, 16602, (814) 943-5001, (800) 640-1308  
**HARRISBURG** - C.A. Juillard, Inc., 2301 North Seventh Street, 17110, (717) 233-3488, (800) 633-3488  
**JOHNSTOWN** - Cambria True Value Hardware, West Hills Square, Goucher Street, 15905, (814) 255-4752  
**KINGSTON** - Vac-Way Appliance & Service, 595 Market Street, 18704, (717) 288-4508  
**MOSCOW** - Vac-Way Appliance & Service, RR #6 Box 6237, 18444, (717) 842-4668  
**ORANGEVILLE** - Hess Do-It Center & Market, Route 487, Box 4 M, 17859, (717) 683-5162  
**PHILADELPHIA** - Appliance Care/Service Corp., 6407 Rising Sun Ave., 19111, (215) 725-3112  
**PHILADELPHIA (COLLINGDALE)** - J.F. Kenney Electric, 920 MacDade Boulevard, 19023, (610) 534-7373  
**PITTSBURGH** - Ferry Electric Service Co., 7498 McKnight Road, 15237, (412) 364-3403  
**PITTSBURGH** - Ferry Electric Service Co., 140 Clairton Blvd., 15236, (412) 653-6004  
**READING** - Electric Repair Co., 502-504 North 9th Street, 19604, (610) 376-5444, (800) 422-8171 (PA only)  
**SCRANTON** - Vac-Way Appliance and Service, 601 Cedar Avenue, 18505, (717) 343-1121  
**SHAMOKIN DAM** - Willard Battery Outlet, 138 S. Old Trail, 17876, (717) 743-5383  
**TROY** - Hoover Hardware, 9 Canton, 16947, (800) 251-2156, (717) 297-3445  
**WASHINGTON** - Murphy Family Inc., 585 East National Pike, 15301, (412) 225-0324  
**WILKES-BARRE** - Walter Hardware DO-IT Center, 57 N. Welles Street, 18702, (717) 823-1406  
**YORK** - Parcel Plus, 2549 E. Market Street, York Market Place, 17402, (717) 757-1875

## PUERTO RICO

**GATINEAU** - Les Equipements Brabant & Fils, 776B Blvd. Maloney, J8P 1G6, (819) 663-2526  
**HATILLO** - Tropical Parts Service, P.O. Box 1335, Road 130 KM 8.5, 00659, (787) 898-6474  
**MAYAGUEZ** - Cardona Appliance Service, 8 San Vicente Sreet, 00680, (787) 832-8366  
**MAYAGUEZ** - Melendez Home Appliance Repair, Calle Post 319 Sur, 00680, (787) 832-5225  
**PONCE** - Ferreteria Vivian, Centro Comercial, Los Caobos #7, 00731, (787) 840-0677  
**PUERTO NUEVO** - Buckeye Service, 1013 Jesus T. Pinero Avenue, 00920, (787) 782-6175

## RHODE ISLAND

**PROVIDENCE** - Marshall Electric Co., 200 Broad Street, 02903, (401) 331-4482

## SOUTH CAROLINA

**CHARLESTON HEIGHTS** - Dorchester Electric Service, 3575 Dorchester Avenue, 29405, (803) 747-5221  
**COLUMBIA** - Authorized Appliance Servicer, 1811 Taylor Street, 29202, (803) 254-8414  
**DARLINGTON** - Hobbies and More, 1570 South Main Street, 29532, (803) 393-0355, FAX (803) 393-8171  
**GREENWOOD** - Bikes & Boards & Mopeds, 203A Montague Avenue, 29646, (864) 229-2453  
**SENECA** - Seneca Micronics, 110 East North First, 29678, (803) 882-6593  
**SPARTANBURG** - Boiling Springs Hardware, 3124 Boiling Springs Rd, 29303, (803) 578-1852  
**VARNVILLE** - P&S Small Engine & Variety Shop, 105 Carolina Avenue, West, 29944, (803) 943-9141

## TENNESSEE

**CHATTANOOGA** - Light Electric, 732 East 11th Street, 37403, (615) 267-9224  
**KNOXVILLE** - Authorized Appliance Service Center, 1206 North Central Street, 37917, (615) 524-3376  
**MEMPHIS** - Camp Electric Co., 647 Madison Avenue, 38103, (901) 527-7543, (800) 238-7345  
**NASHVILLE** - Webb's Appliance Service Center, Inc., 1519 Church Street, 37203, (615) 329-4079, (800) 899-4079

## TEXAS

**ABILENE** - Metro Small Appliance Service Co., 141 S. Clyde, 79605, (915) 672-1853  
**AMARILLO** - Reid's Appliance Service, Inc., 906 Georgia, 79102, (806) 373-8812  
**ANTHONY** - Villarreal & Sons Elec., 512 S. Third Street, 79821, (915) 886-3362  
**AUSTIN** - Harrell Supply and Service, Inc., 5435 Burnet Road, 78756, (512) 451-6464, (800) 332-7250 (TX only)  
**AUSTIN** - Harrell Supply and Service, Inc., 1409 West Oltorf, 78704, (512) 442-5966  
**AUSTIN (ROUND ROCK)** - Harrell Supply, 907c Interstate Highway 35, 78664, (512) 388-0866  
**CORPUS CHRISTI** - Brand Appliance & Microwave, 2751 South Staples, 78404, (512) 854-1851  
**DALLAS** - Pearsol Appliance Co., 3127 Main Street, 75226, (214) 939-0930  
**DALLAS** - All Type Sales and Service Co., Inc., 2835 Irving Blvd., 75207, (214) 638-1170, (800) 717-1170  
**FT. WORTH** - Ft. Worth Shaver and Appliance Center, 1012 West 7th Street, 76102, (817) 335-9970  
**HOUSTON** - Brand Service Center, 5727 Richmond Avenue, 77057, (713) 782-8910  
**HOUSTON** - Brand Service Center, 1970 FM 1960, 77090, (713) 537-7795  
**LAREDO** - Rubio Electric, 1719 San Bernardo, 78040, (210) 722-3908  
**LONGVIEW** - Toys and Things, 918 NW Loop 281, 75604, (903) 759-3939  
**LUBBOCK** - Minter's, 4409 50th Street, 79414, (806) 799-3170  
**LUFKIN** - STS Audio and Video, 1505 South First Street, 75901, (409) 639-4529  
**MC ALLEN** - All-In-One Repair Shop, 2313 Lark Avenue, 78504, (210) 682-8858  
**MIDLAND** - Midland Tool Specialty, 918 South Main, 79701, (915) 682-4647, (800) 499-0755  
**PASADENA** - Larry's TV Service, 3520 Fairmont Parkway, 77504, (713) 998-0122, (800) 244-0281  
**ROMA** - True Value Hardware, 1004 E. Highway 83, (210) 849-1322  
**SAN ANTONIO** - Brand Service Center, 7065 San Pedro Avenue, 78216, (210) 344-8577  
**SEYMOUR** - Western Auto, 211 N. Main Street, 76308, (817) 888-3980  
**TEMPLE** - Master Tech Repairs, 2819 West Avenue North, 76504, (817) 773-8991  
**VICTORIA** - Tom's Video Service, 211 East Anaqua, 77901, (512) 576-0664, (800) 433-0664  
**WICHITA FALLS** - Burke's Appliance Service, 2410 10th Street, 76309, (817) 723-6211

## UTAH

**OREM** - The Mending Shed, 1735 South State Street, 84058, (801) 225-8012, (800) 339-9297  
**SALT LAKE CITY** - Appliance Service Center, Inc., 210 East 6th South, 84111, (801) 328-9703

## VERMONT

**RUTLAND** - Appliance Service Center Ltd., 152 Woodstock Avenue, 05701, (802) 773-8917

## VIRGINIA

**FREDERICKSBURG** - Logan Electric Service, Inc., 98 Industrial Drive, 22408, (540) 898-8873  
**HARRISONBURG (PENN LAIRD)** - J.L. Maintenance & Repair, Inc., Route 2, Box 308, 22846, (540) 289-9844  
**NEWPORT NEWS** - Commonwealth Electric Shaver Sales & Service, Inc., 10105 Jefferson Ave., 23605, (804) 595-6712  
**NORFOLK** - Commonwealth Electric Shaver Sales & Service, Inc., 6612 E. Virginia Beach Blvd., 23502, (804) 461-4475  
**ROANOKE** - Commonwealth Shaver & Appliance Service, 5524 Williamson Road, NW, 24012, (703) 366-6038  
**VIENNA** - Appliance Fix-It, 8455 Tyco Road, 22182, (703) 893-1234  
**WINCHESTER** - Battery Mart of Winchester, Inc., 1 Battery Dr., 22601, (703) 655-0065  
**WOODBIDGE** - Baker's Appliance, 13314 Occoquan Road, 22191, (703) 490-5605

## WASHINGTON

**SEATTLE** - Ajax Electric, 2911 First Avenue South, 98134, (206) 622-9945  
**SEATTLE (BELLEVUE)** - Action Small Appliance Service, 1500 145th Place, SE, 98007, (206) 643-9806  
**SPOKANE** - SPARCO, West 45 2nd Avenue, 99204, (509) 624-8965  
**SPOKANE** - SPARCO, N. 1119 Pines Rd., 99206, (509) 922-9666

## WEST VIRGINIA

**BECKLEY** - Jerry's Detectors, Vacuum & Appl. Svc., 411 Second Street, 25801, (304) 253-3521  
**CHARLESTON** - Sneed's Vacuum & Sewing Center, 2614 7th Avenue, 25312, (304) 744-3670, (800) 245-8048 (WV only)  
**HARRISVILLE** - Western Auto, 1107 E. Main St., 26362, (304) 643-2226  
**HUNTINGTON** - Mike's Appliance and Service, 212 20th Street, 25703, (304) 522-0737  
**MARTINSBURG** - Battery Mart, 1161-3 Winchester Avenue, 25401, (304) 267-7033, (800) 464-7918  
**WHEELING** - Fast Service Center, 1058 Main Street, 26003, (304) 232-5561 (800) 874-4090

## WISCONSIN

**APPLETON** - G/Tech Electric Tool & Housewares Service, 600 W. College Ave., 54911, (414) 739-6064, (800) 400-6064  
**GREENBAY** - Kastle Carts, Inc., 2301 N. Irwin Ave., 54313, (414) 465-6121  
**LACROSSE** - Paul's Shaver Service, 1224 Caledonia Street, 54603, (608) 782-6291  
**MADISON (MONONA)** - Kiefer's Shaver and Appliance, 4511 Monona Drive, 53716, (608) 221-3322  
**MAUMETTE** - Della Do-It Center, W 1536 Highway 41, 54143, (715) 732-1768  
**MILWAUKEE** - Brand Appliance Repair, Inc., 3707 North 92nd Street, 53222, (414) 461-0440  
**MILWAUKEE** - Brand Appliance Repair, Inc., 6000 W. Oklahoma Street, 53219, (414) 541-4340





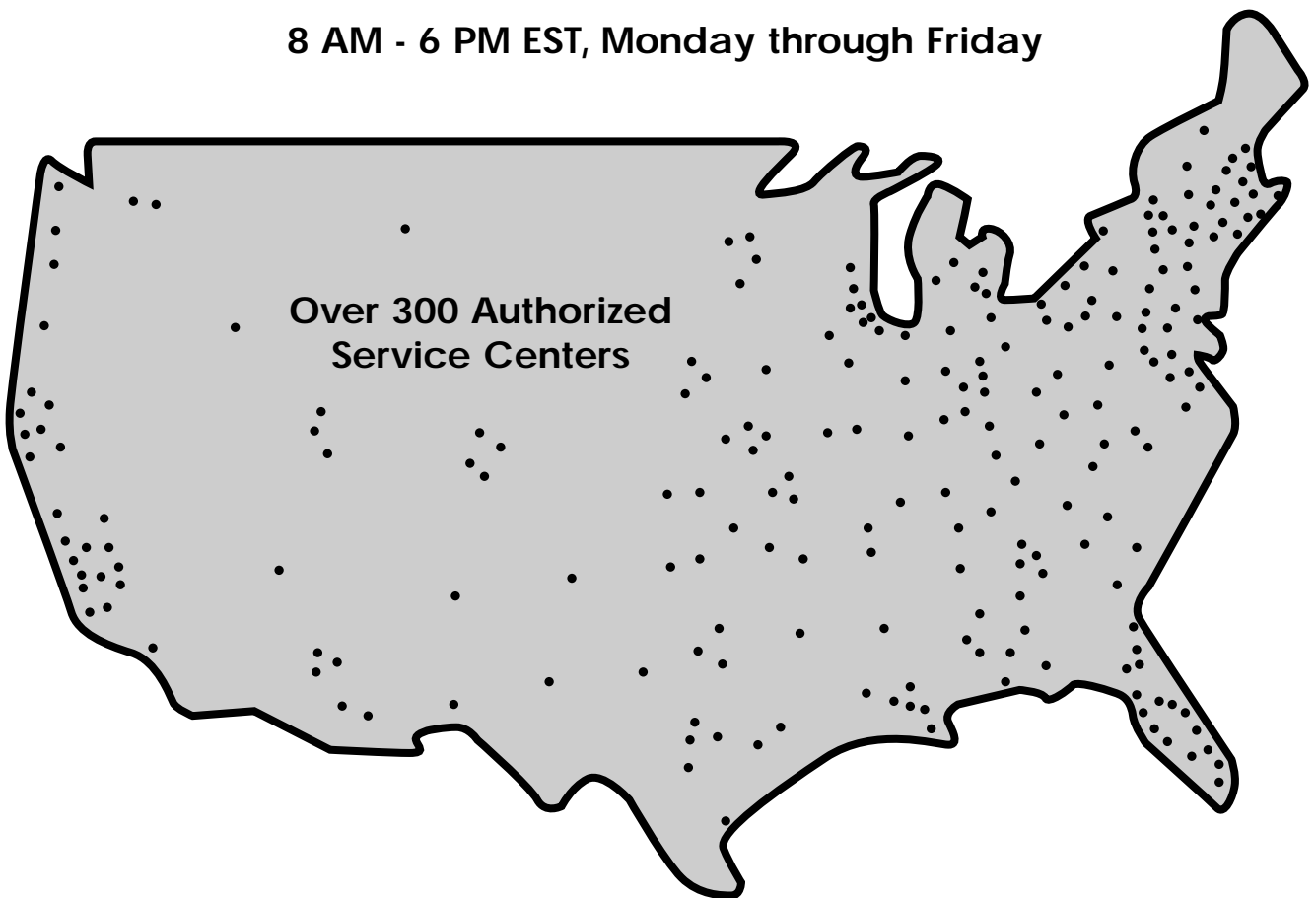
## Do Not Return Your Vehicle to the Store

If you are missing parts or need assistance, please call us toll-free:

**Power Wheels Consumer Affairs**

**1-800-348-0751**

**8 AM - 6 PM EST, Monday through Friday**



Over 300 Authorized  
Service Centers

Or contact your local Power Wheels® Authorized Service Center.

For the location nearest you, refer to the  
Authorized Service Center list in this manual.

BARBIE is a trademark owned by and used under license from Mattel, Inc. ©1997 Mattel, Inc.  
All Rights Reserved.

©1997 Fisher-Price, Inc., East Aurora, New York 14052 - All Rights Reserved

Printed in the U.S.A.

74557 1 74557-0920