

This Owner's Manual is provided and hosted by [Appliance Factory Parts](#).



FISHER PRICE B9785 Owner's Manual

[Shop genuine replacement parts for FISHER PRICE
B9785](#)



[Find Your FISHER PRICE Ride On Parts - Select From 999 Models](#)

----- Manual continues below -----

Kawasaki

ADVENTURE 4X4™



Product features may vary from the picture above.

Owner's Manual with Assembly Instructions

For Model B9785

**Please read this manual and save it
with your original sales receipt.**

Tools needed for assembly: Phillips Screwdriver, Hammer and Adjustable Wrench (all not included); Assembly Tool (included). Use only with a Power Wheels® 12 Volt Rechargeable Battery with A-Style Connector and Built-In Thermal Fuse and Power Wheels® 12 Volt Charger (both included).



KAWASAKI AND NINJA ARE TRADEMARKS LICENSED BY KAWASAKI MOTORS CORP., U.S.A., WHICH DOES NOT MANUFACTURE OR DISTRIBUTE THIS PRODUCT. CONSUMER INQUIRIES SHOULD BE DIRECTED TO FISHER-PRICE, INC./POWER WHEELS, 636 GIRARD AVENUE, EAST AURORA, NY, 14052.

TABLE OF CONTENTS

A Important Information	2
B Warnings and Cautions	3
C Parts	4
D Parts Diagram	7
E Battery Charging	9
F FCC Note	10
G Assembly	10
H Vehicle Care	18
I Limited Warranty	18
J Decoration	19
K Battery Installation	20
L Battery Care and Disposal	21
M Safe Driving Rules	22
N Vehicle Operation	23
O Problems and Solutions Guide	25

A

IMPORTANT INFORMATION

- Your new vehicle requires adult assembly. Please set aside at least 60 minutes for assembly.
- You must charge your battery for 18 - 30 hours **before you use your vehicle for the first time**. We recommend that you start charging your battery before beginning assembly. Please see Battery Charging beginning on page 7 for detailed instructions.
- Read this manual carefully for important safety information and operating instructions before using your vehicle. Keep this manual for future reference as it contains important information.
- This vehicle is designed for use on: grass, concrete, asphalt and other hard surfaces; on generally level terrain; and by children 3 years of age and up.
- Make sure children know and follow these rules for safe driving and riding:
 - always sit on the seat.
 - always wear shoes.
 - only 2 (two) riders at a time (one on vehicle, one in trailer).
- Use this vehicle **ONLY** outdoors. Most interior flooring can be damaged by riding this vehicle indoors. Fisher-Price® will not be responsible for damage to the floor if the vehicle is used indoors.
- To prevent damaging the motors and gears, teach your child to stop the vehicle before switching direction. Do not tow anything behind the vehicle or overload it. Do not exceed the maximum weight capacity of 130 lbs (59 kg) - vehicle 90 lbs. (41 kg); trailer 40 lbs. (18 kg).
- For safety reasons, your vehicle has been pre-set so that it will operate at low speed. **You must connect the high speed lock-out to allow operation of the vehicle at high speed.** Please see page 23 for detailed instructions.
- If you have any questions about your Power Wheels® vehicle, please call our toll-free service lines at **1-800-348-0751** from 8 AM to 6 PM (EST) Monday through Friday. Trained customer service representatives are available to take your call in English or French. Habla Español? Si usted tiene alguna pregunta ó necesita asistencia llame gratis **1-800-348-0755** para los Estados Unidos. Tenemos representantes que hablan español para atender su llamada.
- For your convenience, Power Wheels® maintains an **independently owned and operated** Authorized Service Center Network with more than 400 authorized service centers nationwide. Our authorized service centers will repair or replace parts under warranty at no extra charge, and can perform non-warranty repairs for a minimal charge. To find the authorized service center nearest you, please visit us on-line at **www.powerwheels.com** or call **1-800-348-0751**.
- To register your vehicle, please visit us on-line at **www.powerwheels.com**.

ELECTRICAL HAZARD

WARNING

- Battery can fall out and injure a child if vehicle tips over. Always use battery retainer.
- **PREVENT FIRE**
 - Never modify the electrical system. Alterations could cause a fire resulting in serious injury and could also ruin the electrical system.
 - Use of the wrong type battery or charger could cause a fire or explosion resulting in serious injury.
 - Use of Power Wheels® components in products other than Power Wheels® vehicles could cause overheating, fire or explosion.
- The battery must be handled by adults only. The battery is heavy and contains sulfuric acid (electrolyte). Dropping the battery could result in serious injury.
- Never allow children to charge the battery. Battery charging must be done by adults only. A child could be injured by the electricity involved in charging the battery.
- Never lift or carry the battery by the wires or connector. This can damage the battery and possibly cause a fire resulting in serious injury. Lift and carry the battery by the case only.
- Read the safety instructions on the battery.
- Examine the battery, charger and their connectors for excessive wear or damage each time you charge the battery. If damage or excessive wear is detected, do not use the charger or the battery until you have replaced the worn or damaged part.
- **HOT** motors. Handle carefully.

RIDING HAZARD

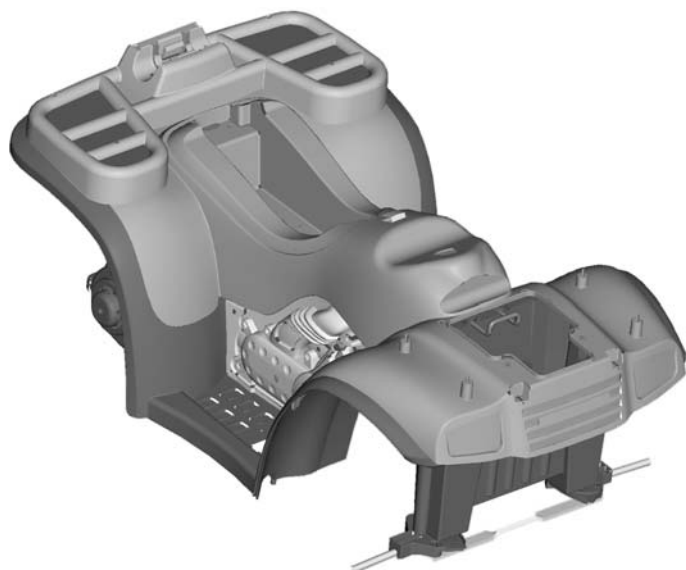
WARNING

- **Prevent Injuries and Deaths**
 - Direct Adult Supervision Required
 - Never Ride at Night.
 - Keep Children Within Safe Riding Areas.
These areas must be:
 - away from swimming pools and other bodies of water to prevent drownings
 - generally level to prevent tipovers
 - away from steps, cars, steep inclines, roads and alleys.

CAUTION

- In the unassembled state, this package contains small parts. Adult assembly is required.
- Use the charger in dry locations only.

- If you experience a problem with this product, or are missing a part, please call us at **1-800-348-0751**, rather than return this product to the store.
- Please identify all parts before assembly and save all packaging material until assembly is complete to ensure that no parts are discarded.
- Metal parts have been coated with a lubricant to protect them during shipment. Wipe all metal parts with a paper towel to remove any excess lubricant.



Vehicle Body



Seat



Brushguard



**Wide Rear
Vehicle Wheels - 2**



**Narrow Front
Vehicle Wheels - 2**



**Rack
(Located on front end
of vehicle)**



**Large
Vehicle Hubcap - 4**



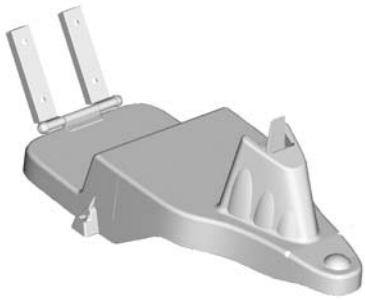
Shovel



Long Rear Vehicle Axle



Bucket



Trailer Frame



Small Trailer Wheel - 2



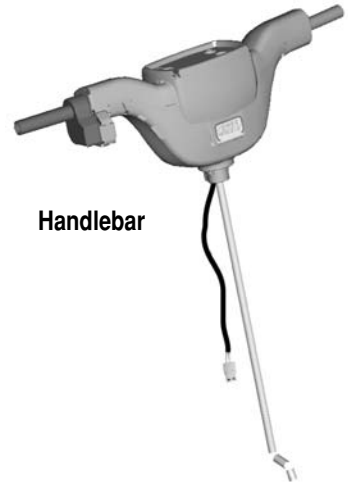
Left Grip with Small Hole



Right Grip with Large Hole



Small Trailer Hubcap - 2



Handlebar



Fender - 2



Short Trailer Axle



Hitch Cover



Hitch Mount Clip



Rear Wheel Driver - 2



Key



Knob - 2



Small Bushing - 4



Large Bushing - 2

Part not shown: Label Sheet and Assembly Tool



12 Volt Battery



12 Volt Charger



#10 x 3/4" Screw - 1



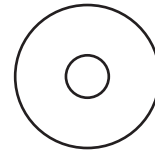
#10 Lock Nut - 1



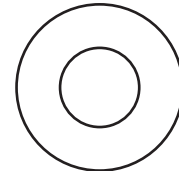
#8 x 3/4" Screw - 23



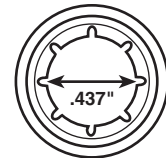
#8 x 2" Screw - 4



3/16" Washer - 2



7/16" Washer - 4



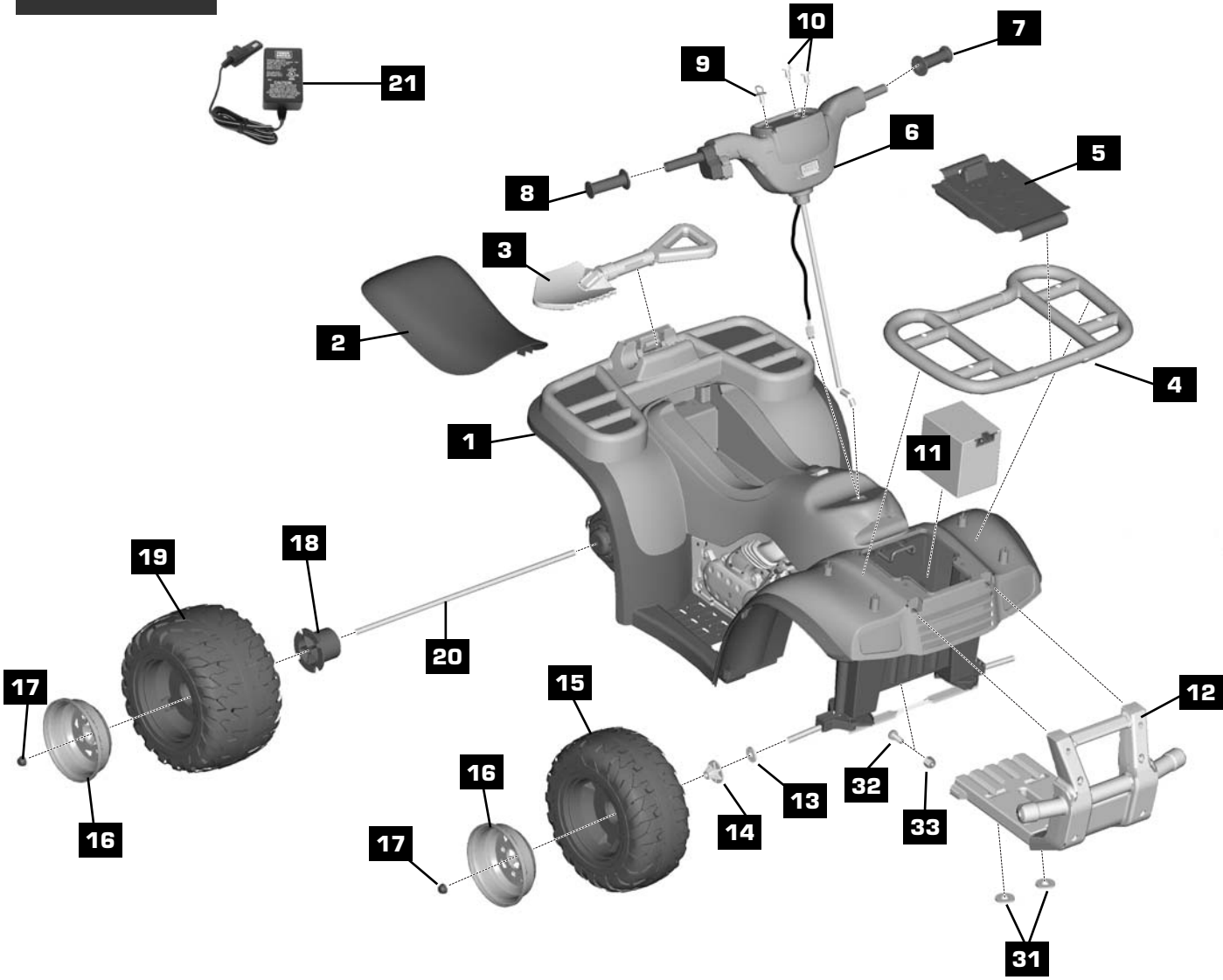
.437 Cap Nut - 4

For your convenience, we included extra fasteners!
Note: Tighten and loosen all screws with a Phillips screwdriver.
Do not over-tighten the screws.

Fasteners Shown Actual Size

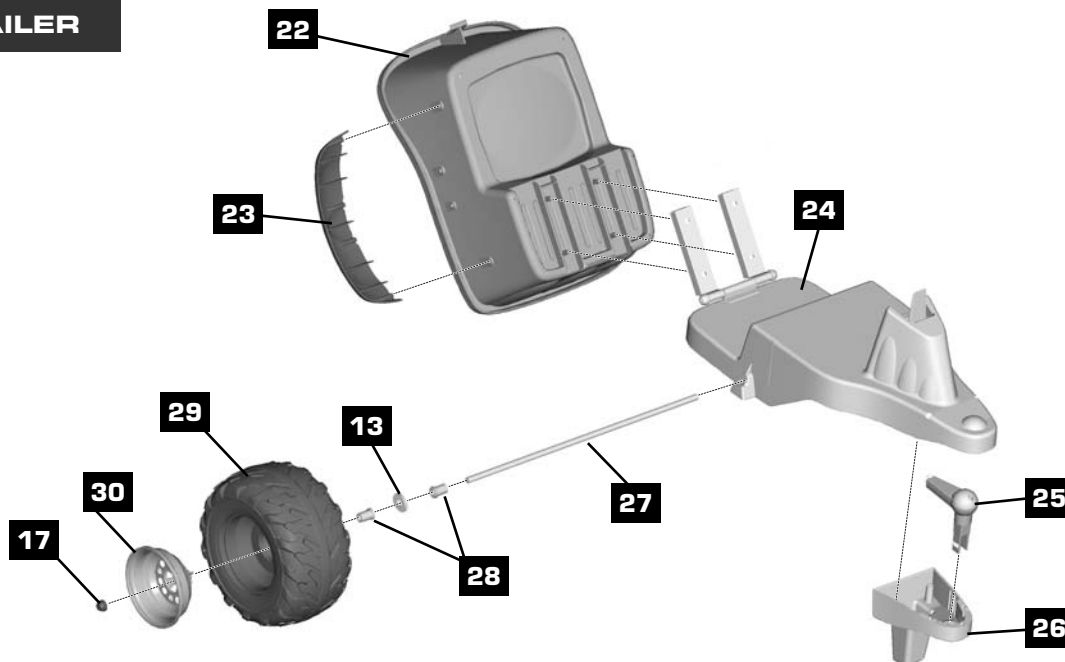
PARTS DIAGRAM

VEHICLE



Note: Some parts shown are assembled on both sides of the vehicle.

TRAILER



Note: Some parts shown are assembled on both sides of the vehicle.

1	Vehicle	12	Brushguard	23	Fender - 2	Parts Not Shown Assembly Tool Label Sheet #8 x 3/4" Screw - 23 #8 x 2" Screw - 4
2	Seat	13	7/16" Washer - 2	24	Trailer Frame	
3	Shovel	14	Large Bushing - 2	25	Hitch Mount Clip	
4	Rack	15	Narrow Front Vehicle Wheel - 2	26	Hitch Cover	
5	Battery Compartment Cover	16	Large Vehicle Hubcap - 4	27	Short Trailer Axle	
6	Handlebar	17	.437 Cap Nut - 4	28	Small Bushing - 4	
7	Left Grip (Small Hole)	18	Rear Wheel Driver - 2	29	Small Trailer Wheel - 2	
8	Right Grip (Large Hole)	19	Wide Rear Vehicle Wheel - 2	30	Small Trailer Hubcap - 2	
9	Key	20	Long Rear Vehicle Axle	31	3/16" Washer - 2	
10	Knob - 2	21	12 Volt Charger	32	#10 x 3/4" Screw	
11	12 Volt Battery	22	Bucket	33	#10 Lock Nut	

ELECTRICAL HAZARD

WARNING

- Battery can fall out and injure a child if vehicle tips over. Always use battery retainer.
- **PREVENT FIRE**
 - Never modify the electrical system. Alterations could cause a fire resulting in serious injury and could also ruin the electrical system.
 - Use of the wrong type battery or charger could cause a fire or explosion resulting in serious injury.
 - Use of Power Wheels® components in products other than Power Wheels® vehicles could cause overheating, fire or explosion.
- The battery must be handled by adults only. The battery is heavy and contains sulfuric acid (electrolyte). Dropping the battery could result in serious injury.
- Never allow children to charge the battery. Battery charging must be done by adults only. A child could be injured by the electricity involved in charging the battery.
- Never lift or carry the battery by the wires or connector. This can damage the battery and possibly cause a fire resulting in serious injury. Lift and carry the battery by the case only.
- Read the safety instructions on the battery.
- Examine the battery, charger and their connectors for excessive wear or damage each time you charge the battery. If damage or excessive wear is detected, do not use the charger or the battery until you have replaced the worn or damaged part.

CAUTION

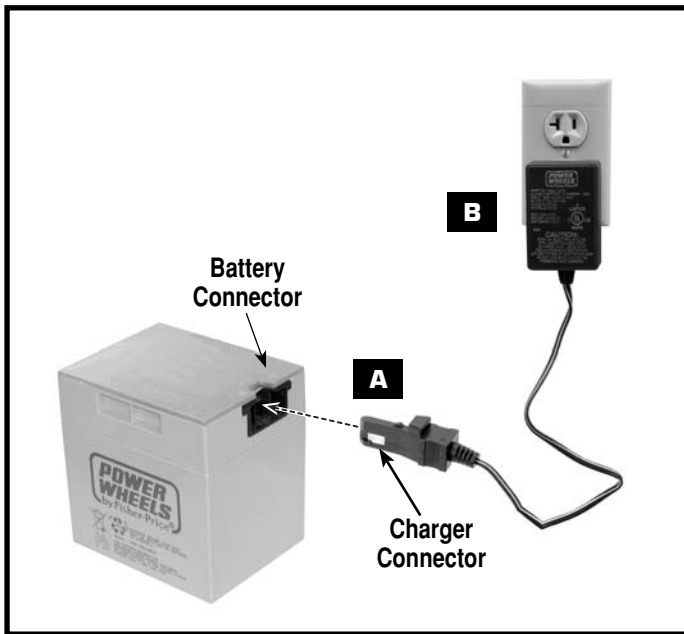
Use the charger in dry locations only.

About Thermal Fuses

Your Power Wheels® 12 volt battery is equipped with a built-in thermal fuse. The thermal fuse is a self-resetting safety device which automatically “trips” and shuts down operation of the vehicle if the vehicle is overloaded or the driving conditions too severe. Once a fuse has “tripped”, it will automatically reset itself after approximately 25 seconds and allow the vehicle to resume normal operations. To avoid repeated automatic shut-downs, do not overload the vehicle by exceeding the 130 lb. (59 kg) total maximum weight capacity (vehicle 90 lbs. - 41 kg; trailer 40 lbs. - 18 kg) or by towing anything behind the vehicle. Avoid severe driving conditions, such as driving up slopes or running into fixed objects, which can cause the wheels to stop spinning while power is still being supplied to the motors and make sure your child stops the vehicle before switching direction. If a thermal fuse in a battery continually trips under normal driving conditions, please contact your local Power Wheels® Authorized Service Center. For the location of the Authorized Service Center nearest to you, visit us on-line at www.powerwheels.com, or call 1-800-348-0751.

Important Notes

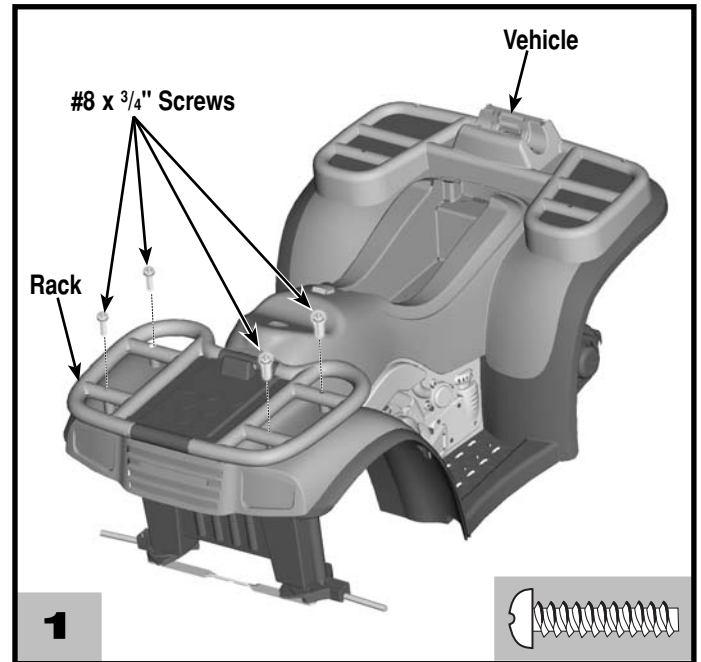
- **Your new battery must be charged for at least 18 hours before you use it in your vehicle for the first time.**
 - We recommend that you start charging your battery before beginning assembly of your new vehicle.
 - The battery must be upright while charging.
 - The charger is not a toy.
 - Do not short circuit the battery.
 - You do not need to remove the battery from your vehicle to recharge it.
 - Before charging the battery, examine the battery case for cracks and other damage which may cause sulfuric acid (electrolyte) to leak during the charging process. If damage is detected, do not charge the battery or use it in your vehicle. Battery acid is very corrosive and can cause severe damage to surfaces it contacts.
 - Do not charge the battery on a surface (such as a kitchen counter top) which could be damaged by the acid contained inside the battery. Take precautions to protect the surface on which you charge your battery.
 - Use only a Power Wheels® 12 volt charger with "12 V" connector (120 VAC, 60 Hz, 28W with an output of 12 VDC, 1200 mA) to charge your Power Wheels® 12 volt battery.
- Adults Note:** Regularly examine the charger for damage to the cord, plug, housing or other parts that may result in the risk of fire, electric shock or injury. In the event of any damage, do not use the charger until the damage has been properly repaired. Please call 1-800-348-0751.
- If your battery is old and will not accept a charge, do not leave it in the vehicle. Always remove a dead battery from the vehicle.



- Plug the charger connector into the battery connector **A**.
 - Plug the charger into a standard wall outlet **B**.
- Note:** If power flow to the wall outlet is controlled by a switch, make sure the switch is "ON".
- Before first-time use, charge the battery for **at least 18 hours**. Never charge the battery longer than 30 hours.
 - Recharge the battery for at least 14 hours after each use of your vehicle. Do not charge the battery longer than 30 hours.
 - Once the battery is charged, disconnect the battery connector from the charger connector. Unplug the charger from the wall outlet. The battery is now ready to be installed in your vehicle. Please see the Battery Installation section on page 20 for detailed instructions on installing your battery. If your battery is already installed in your vehicle, simply re-connect the motor harness connector to the battery.

⚠ WARNING

Children can be harmed by small parts, sharp edges and sharp points in the vehicle's unassembled state, or by electrical items. Care should be taken in unpacking and assembly of the vehicle. Children should not handle parts, including the battery, or help in assembly of the vehicle.



- 1**
- Hint:** The rack is located on the front end of the vehicle. If it has been removed, please fit the rack to the pegs on the front end of the vehicle.
- Fit a #8 x 3/4" screw into one of the indents in the rack.
 - Using a Phillips screwdriver, turn the screw to make a hole in the rack. Continue to tighten the screw with the Phillips screwdriver.
 - Repeat this procedure to assemble three more #8 x 3/4" screws into the rack.

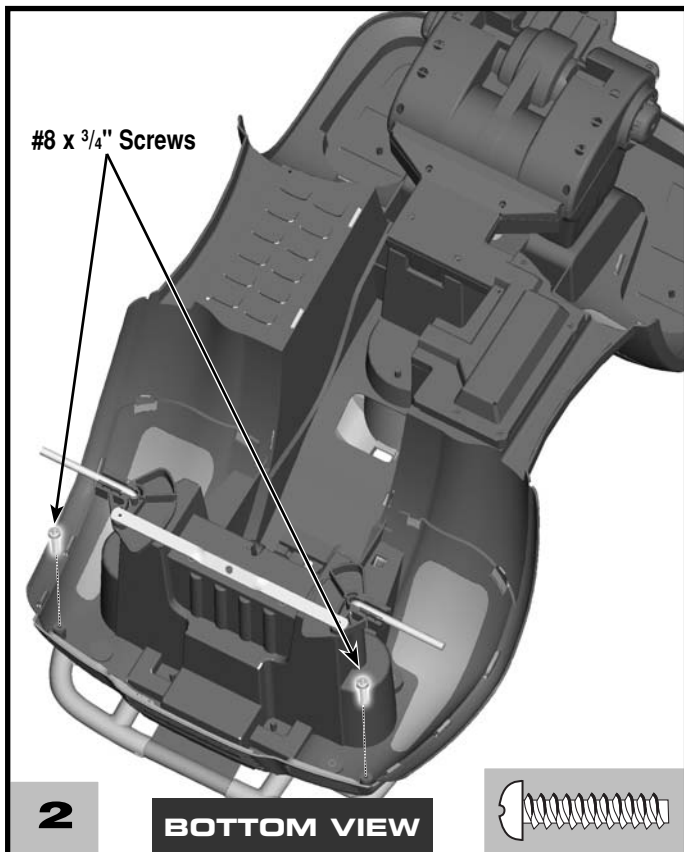
F FCC NOTE

United States Only

This equipment has been tested and found to comply with the limits for a Class B digital device, pursuant to Part 15 of the FCC Rules. These limits are designed to provide reasonable protection against harmful interference in a residential installation. This equipment generates, uses and can radiate radio frequency energy and, if not installed and used in accordance with the instructions, may cause harmful interference to radio communications. However, there is no guarantee that interference will not occur in a particular installation. If this equipment does cause harmful interference to radio or television reception, which can be determined by turning the equipment off and on, the user is encouraged to try to correct the interference by one or more of the following measures:

- Reorient or relocate the receiving antenna.
- Increase the separation between the equipment and receiver.
- Consult the dealer or an experienced radio/TV technician for help.

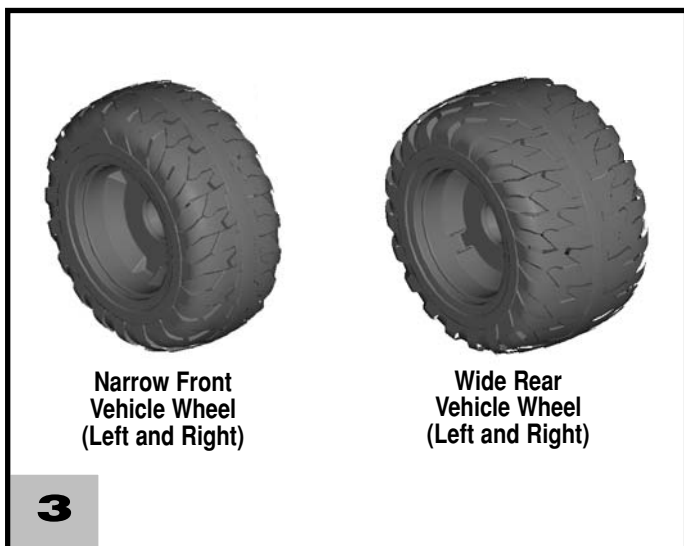
Note: Changes or modifications not expressly approved by the manufacturer responsible for compliance could void the user's authority to operate the equipment.



2

BOTTOM VIEW

- Turn the vehicle upside down.
- Insert two #8 x 3/4" screws into the front end of the vehicle, as shown, and tighten.

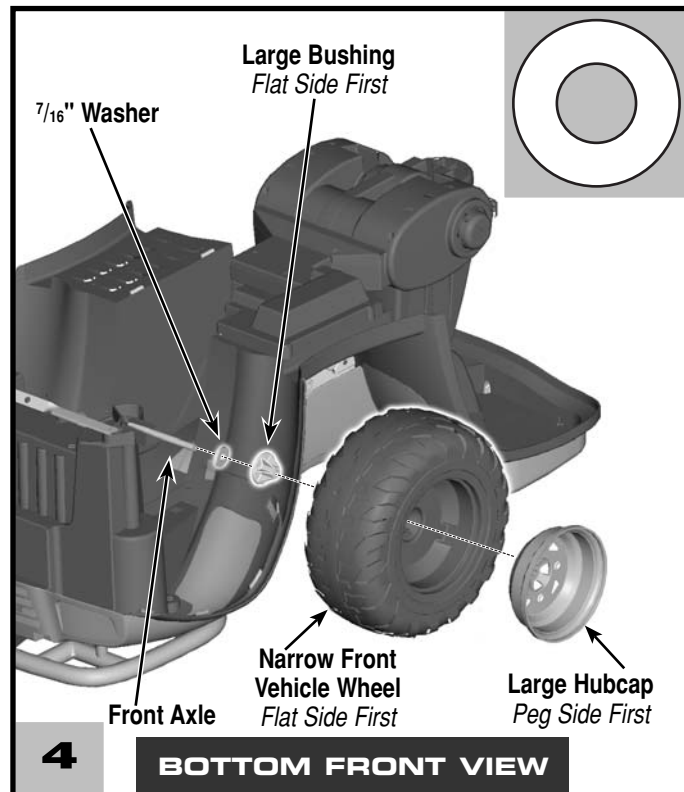


3

Narrow Front Vehicle Wheel (Left and Right)

Wide Rear Vehicle Wheel (Left and Right)

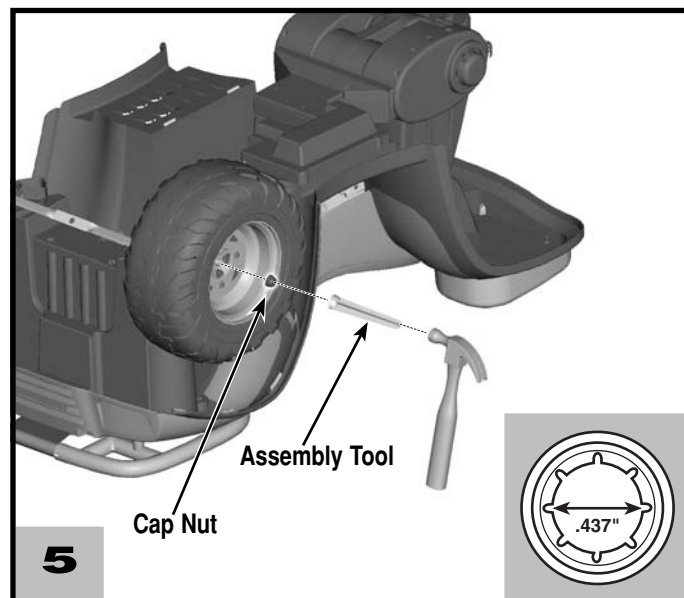
- Locate and identify the front vehicle wheels and the rear vehicle wheels.
- The **front** vehicle wheels are **narrow** and will be used in Assembly step 4.
- The **rear** vehicle wheels are **wide** and will be used in Assembly step 6.



4

BOTTOM FRONT VIEW

- Slide a 7/16" washer onto a front axle.
- Slide a large bushing, **flat side first**, onto a front axle.
- Slide a narrow front vehicle wheel (labeled **R**), **flat side first**, onto a front axle.
- Slide a large hubcap, **peg side first**, onto a front axle.



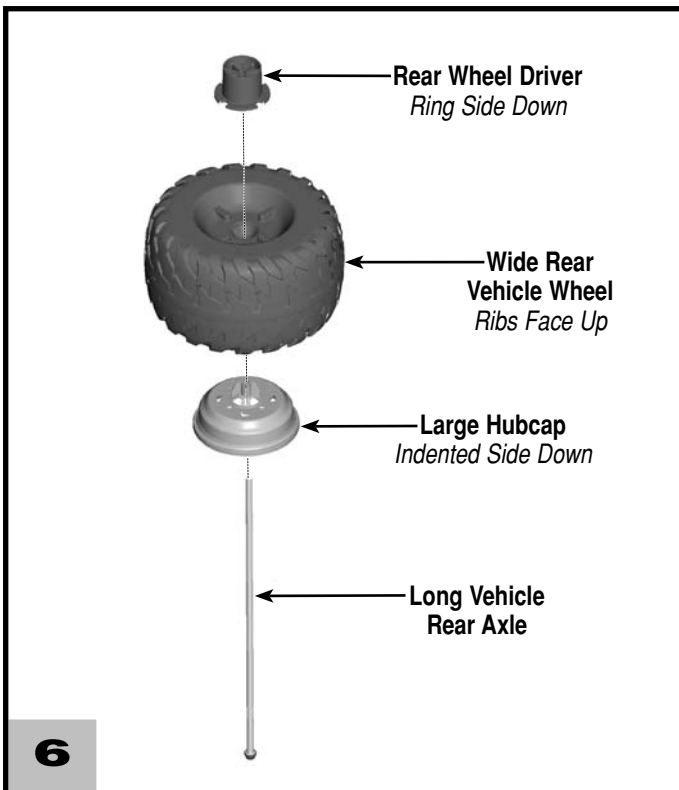
5

Cap Nut

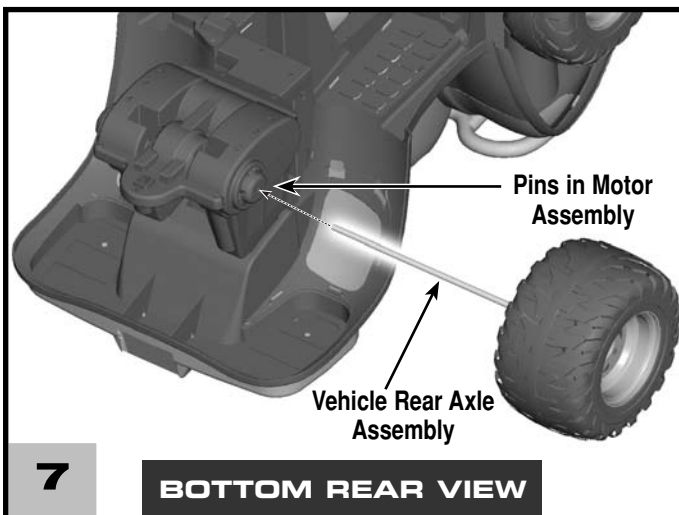
Assembly Tool



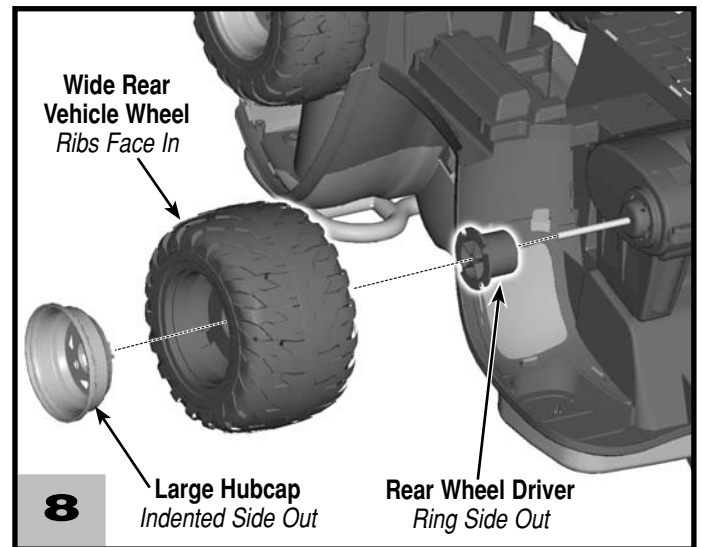
- Fit a .437 cap nut on the end of the front axle.
- Fit the assembly tool over the cap nut. Tap the end of the assembly tool with a hammer to secure the cap nut on the end of the front axle. Pull on the front wheel to be sure it is secure.
- Repeat Assembly steps 4 and 5 to assemble the other narrow front vehicle wheel (labeled **L**) to the other front axle.



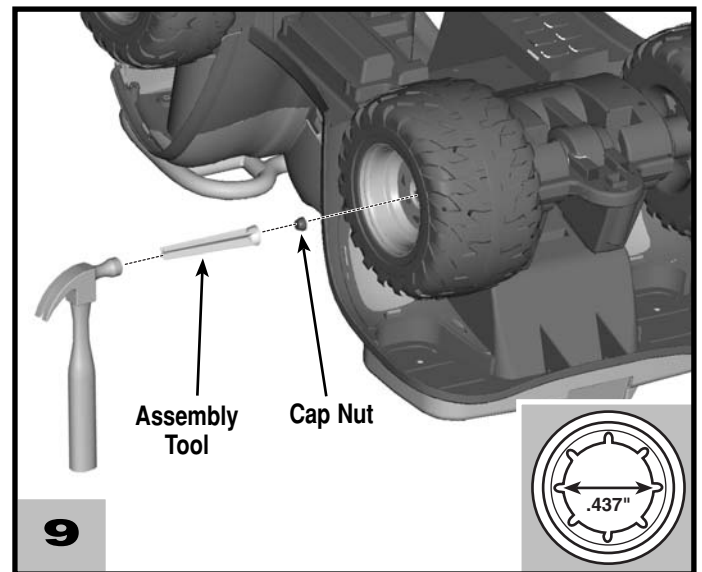
- Slide a large hubcap, **indented side down**, onto the long vehicle rear axle.
- Slide a wide rear vehicle wheel (labeled **R**) onto the long vehicle rear axle. Make sure the **ribs on the wheel face up**.
- Slide a rear wheel driver, **ring side down**, onto the long vehicle rear axle. Fit the grooves on the rear wheel driver onto the ribs on the wide rear vehicle wheel.



- Face the rear of the vehicle.
- Insert the vehicle rear axle assembly into the hole in the rear of the vehicle. Make sure the rear wheel driver fits onto the pins in the motor assembly.



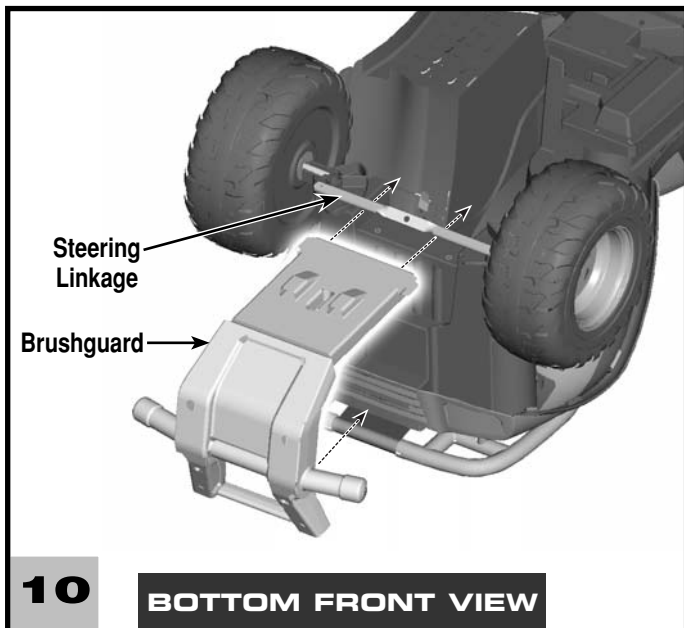
- Slide a rear wheel driver, **ring side out**, onto the vehicle rear axle. Make sure the rear wheel driver fits onto the pins in the motor assembly.
- Slide a wide rear vehicle wheel (labeled **L**), **ribs facing in**, onto the vehicle rear axle. Make sure the ribs on the wide rear vehicle wheel fit into the grooves on the rear wheel driver.
- Slide a large hubcap, **indented side out**, onto the vehicle rear axle.



- Fit a .437 cap nut on the end of the vehicle rear axle.
- Fit the cupped end of the assembly tool over the cap nut and tap the end of the assembly tool with a hammer to secure the cap nut on the end of the vehicle rear axle.

Hint: You may need the help of another adult to support the other end of the vehicle rear axle.

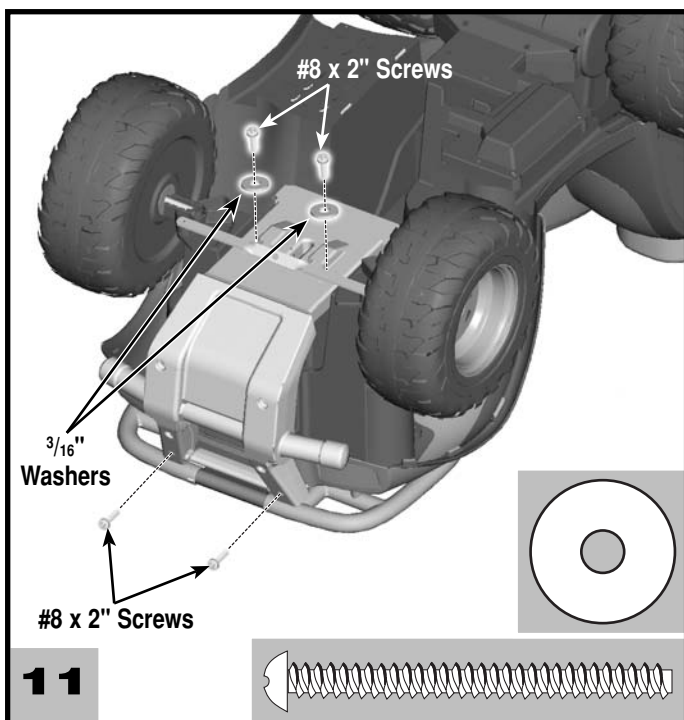
- Pull the wide rear vehicle wheel to be sure it is secure.



10

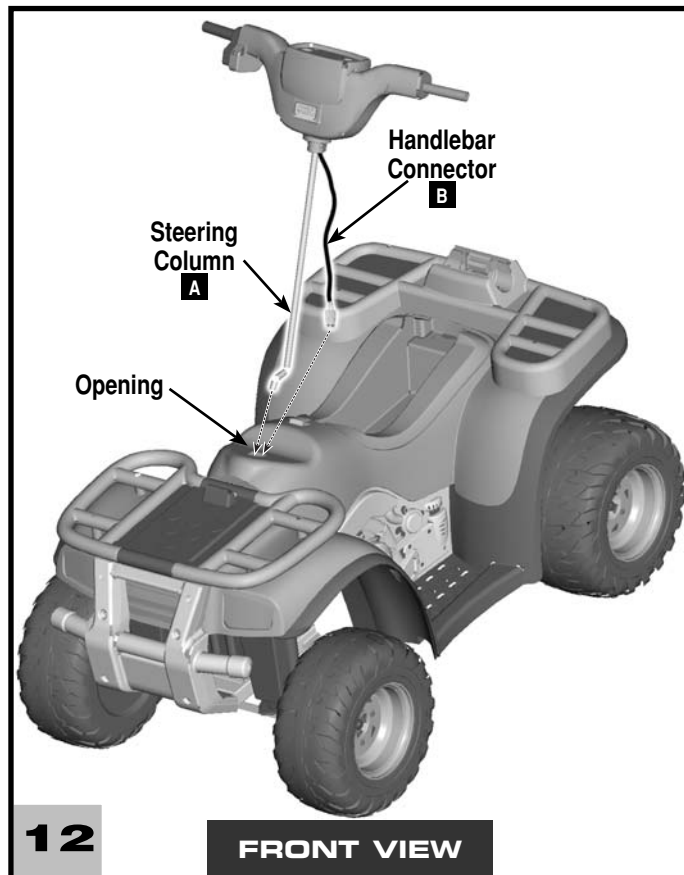
BOTTOM FRONT VIEW

- Face the front end of the vehicle.
- Fit the long flat end of the brushguard **under** the steering linkage.



11

- Fit a $\frac{3}{16}$ " washer onto two #8 x 2" screws.
- Insert the screws with washer into the bottom of the brushguard and tighten.
- Insert two more #8 x 2" screws into the front of the brushguard and tighten.
- Turn the vehicle upright.



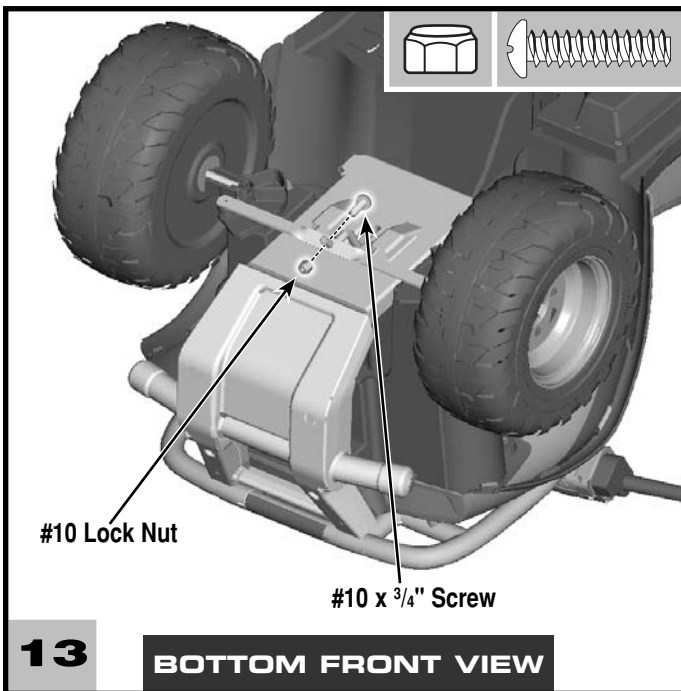
12

FRONT VIEW

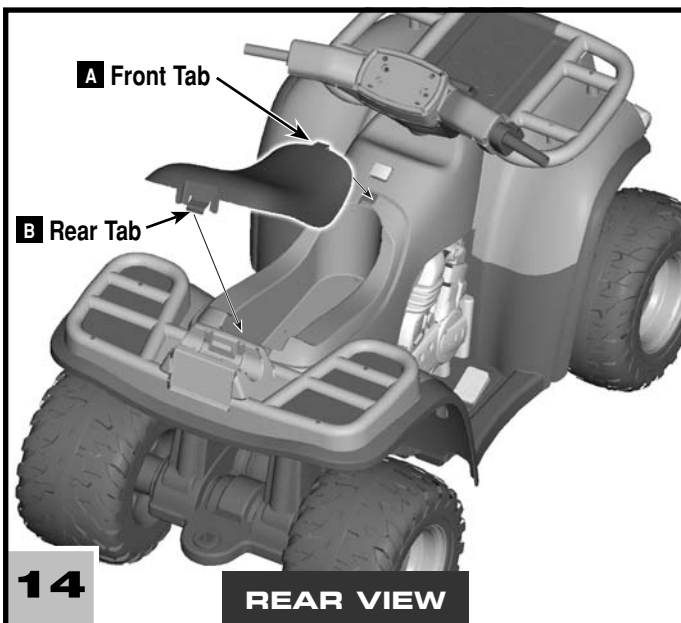
IMPORTANT! Be sure to fit the handlebar connector down through the opening in the front end of the vehicle **before you snap** the handlebar to the vehicle.

- Insert the steering column down through the opening in the front end of the vehicle **A**. Be sure to fit the steering column through the opening in the brushguard and the hole in the steering linkage (underneath the vehicle).
- Now, insert the handlebar connector down through the same opening in the front end of the vehicle **B**.
- Push to **"snap"** the handlebar into the vehicle.

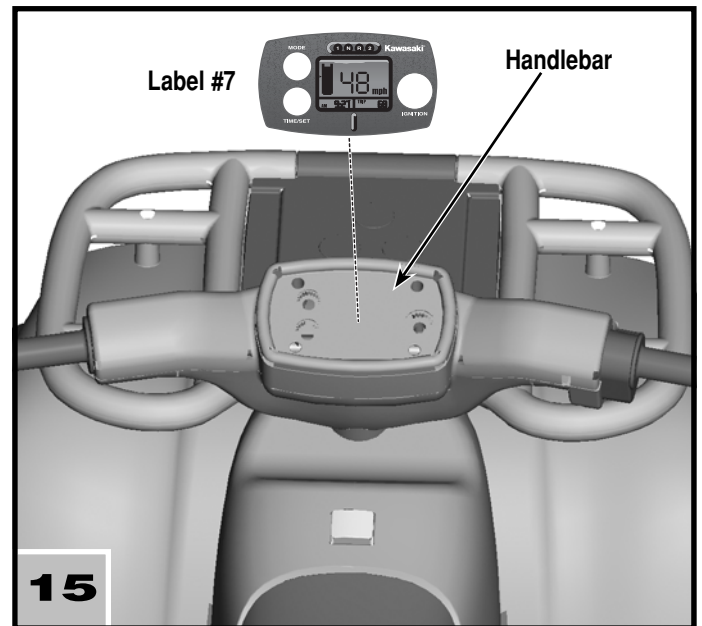
Hint: The handlebar connector is used for high speed use. Please see page 22 for more information.



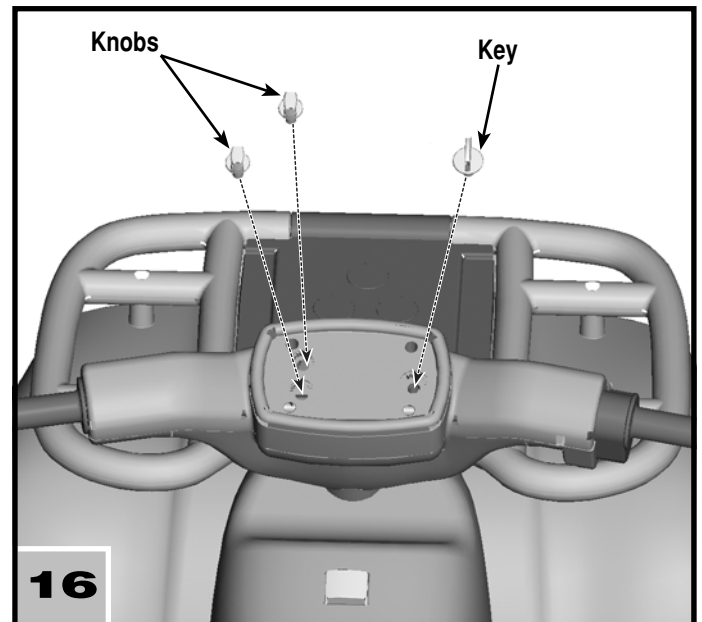
- While holding the handlebar in place, carefully turn the vehicle over.
- Make sure the end of the steering column is through the hole in the steering linkage.
- Insert the #10 x 3/4" screw through the hole in the end of the steering column, so that the screw head faces the rear of the vehicle.
- Fit the #10 lock nut onto the end of the screw. Make sure the rounded side of the lock nut faces the front of the vehicle.
- While holding the lock nut steady with an adjustable wrench, tighten the screw with a Phillips screwdriver. Do not over-tighten.



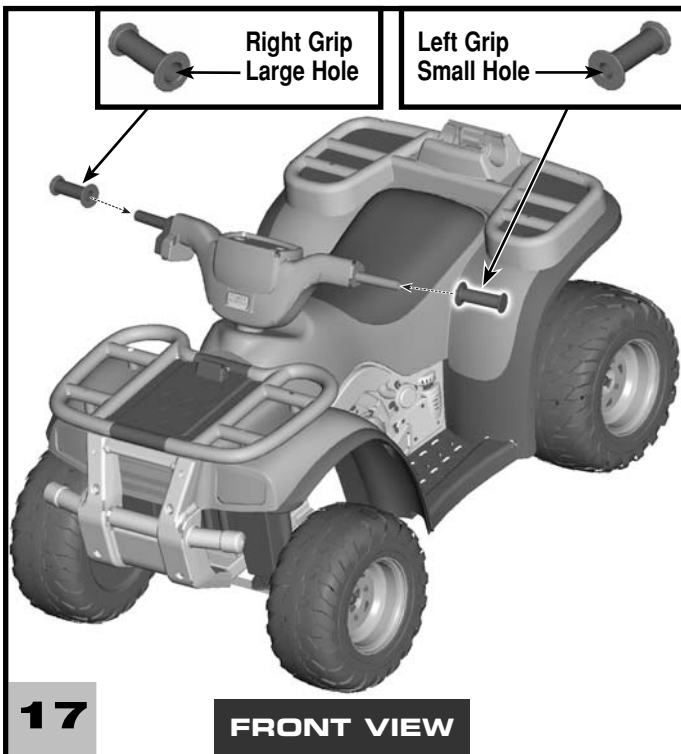
- Turn the vehicle upright.
- First, insert the tab on the front of the seat into the slot toward the front end of the vehicle **A**.
- Then, insert and **"snap"** the tab on the rear of the seat into the slot in the rear of the vehicle **B**.



- Apply label #7 to the handlebar.



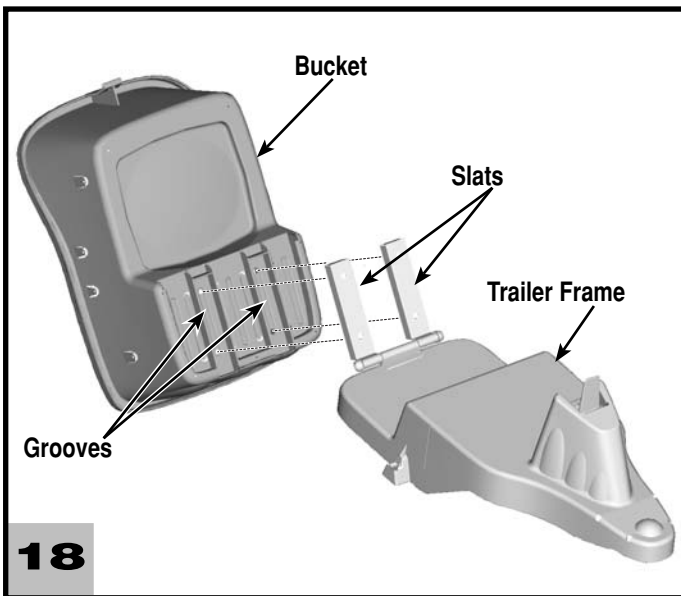
- Insert and **"snap"** the key into the hole in the right side of the handlebar.
- Insert and **"snap"** the knobs into the holes in the left side of the handlebar.



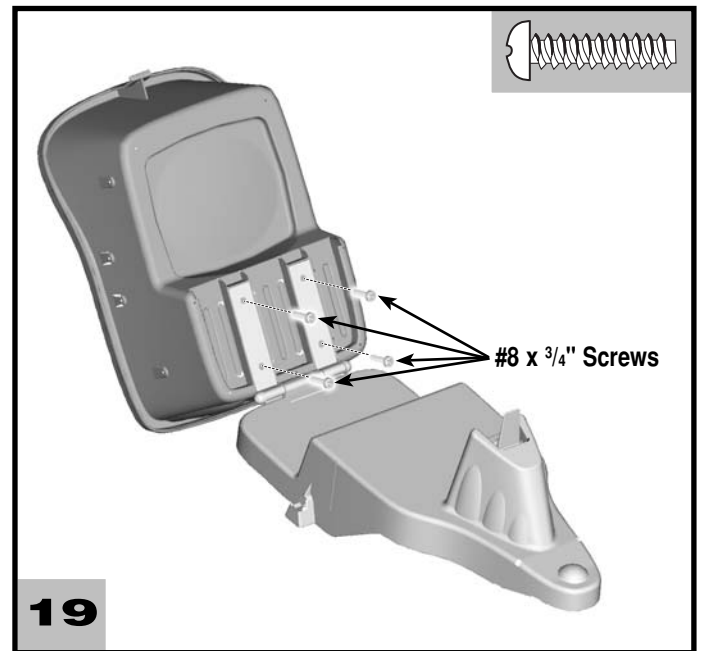
Hint: The left and right grips are not interchangeable! The hole in the left grip is smaller than the hole in the right grip.

- Fit the left grip on the end of the left handlebar.
- Fit the right grip on the end of the right handlebar.

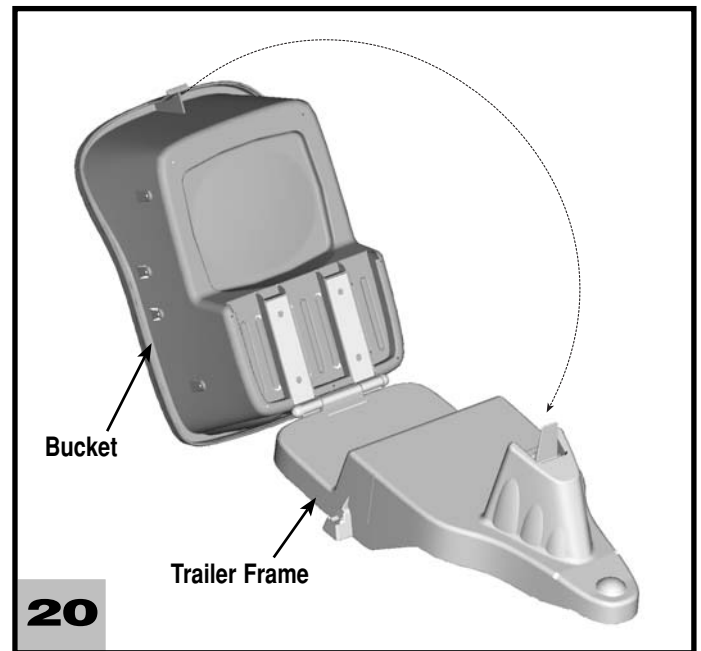
Hint: If it is difficult to slide a grip onto the handlebar, moisten the inside of the grip with water.



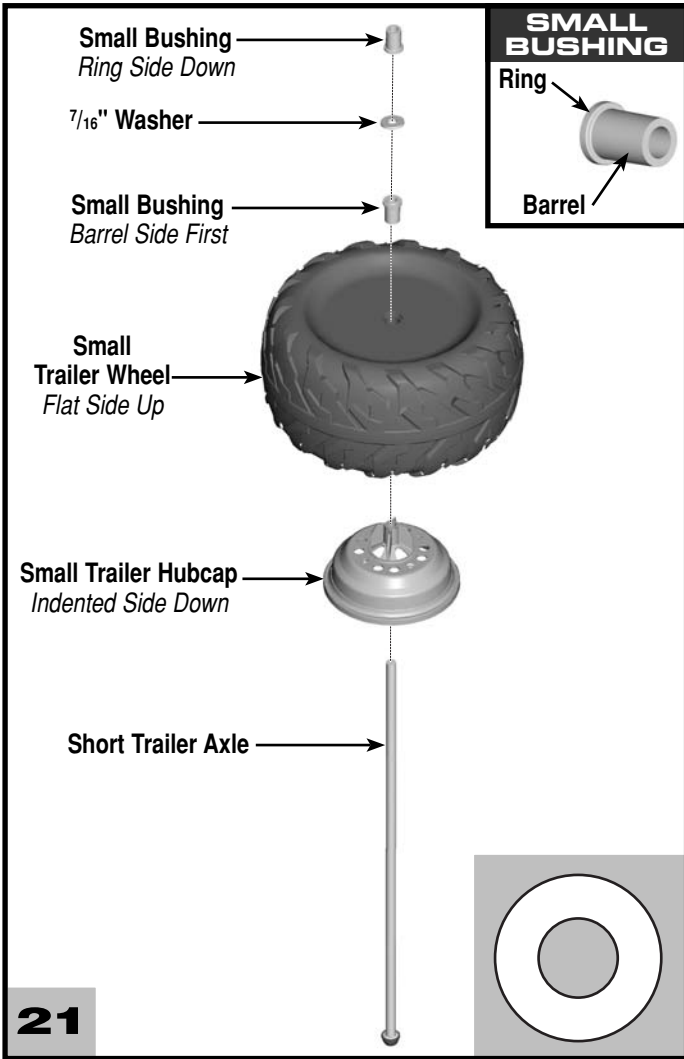
- Turn the bucket so the bottom is facing you.
- Fit the slats on the trailer frame to the grooves in the bucket.



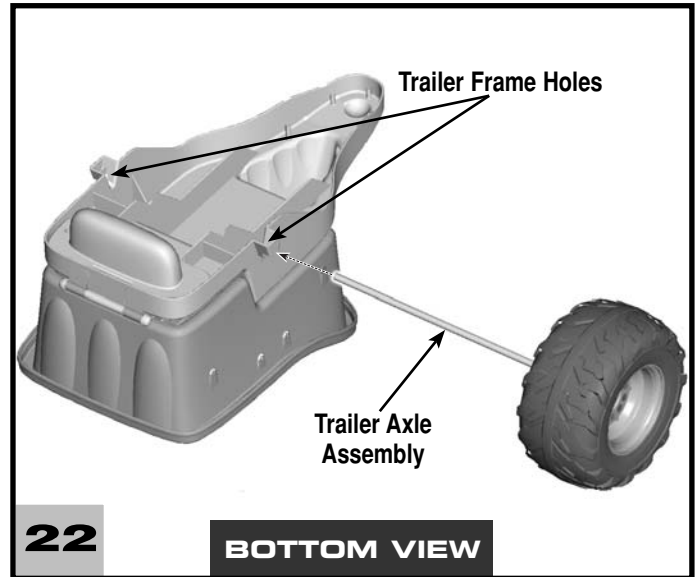
- Insert four #8 x 3/4" screws into the trailer frame slats and tighten.



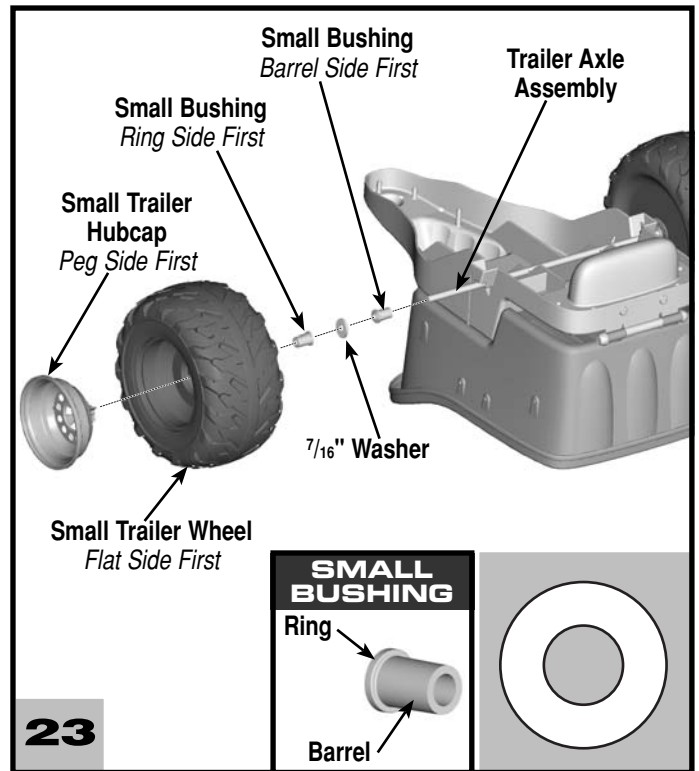
- Rotate the bucket onto the trailer frame.



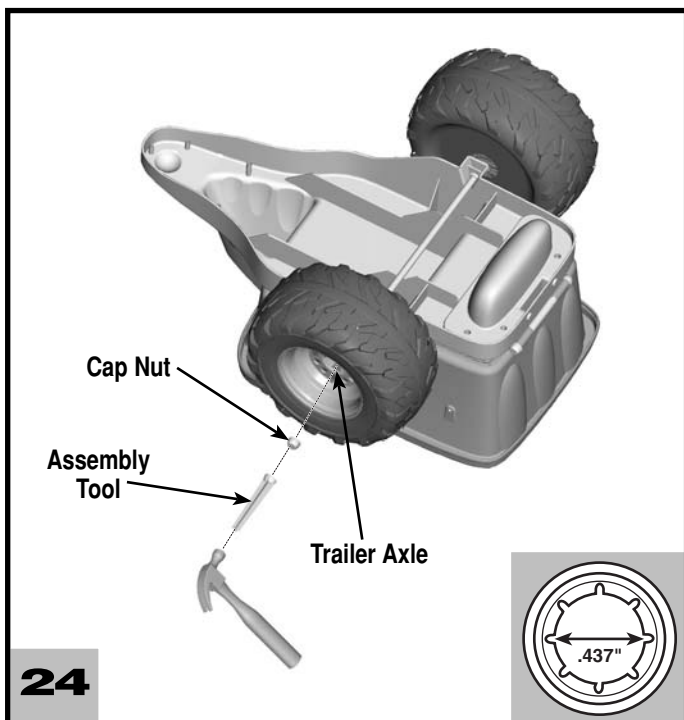
- Slide a small trailer hubcap, **indented side down**, onto the short trailer axle.
- Slide a small trailer wheel, **flat side up**, onto the short trailer axle.
- Slide a small bushing, **barrel side first**, onto the short trailer axle.
- Slide a 7/16" washer onto the short trailer axle.
- Slide another small bushing, **ring side down**, onto the short trailer axle.



- 22** **BOTTOM VIEW**
- Turn the trailer assembly upside-down.
 - Slide the trailer axle assembly through the holes in the trailer frame.



- 23**
- Slide a small bushing, **barrel side first**, onto the trailer axle.
 - Slide a 7/16" washer onto the trailer axle.
 - Slide another small bushing, **ring side first**, onto the trailer axle.
 - Slide the small trailer wheel, **flat side first**, onto the trailer axle.
 - Fit a small trailer hubcap, **peg side first**, onto the trailer axle.

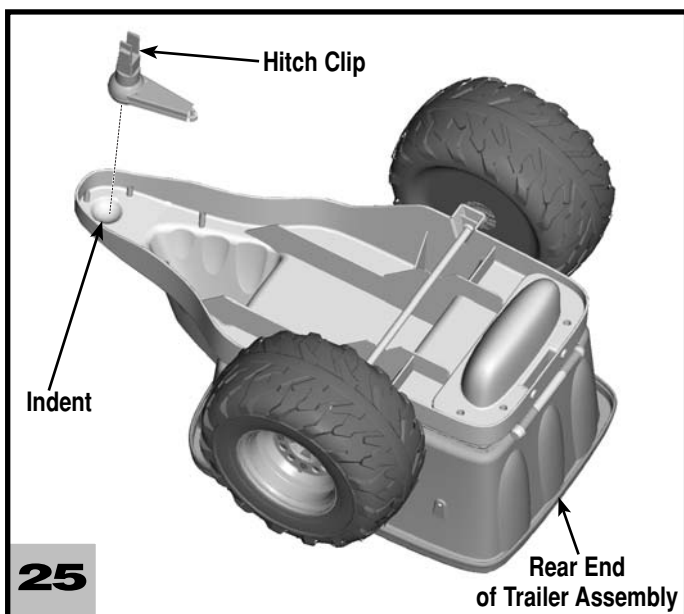


24

- Fit a .437 cap nut on the end of the trailer axle.
- Fit the cupped end of the assembly tool over the cap nut. Tap the end of the assembly tool with a hammer to secure the cap nut on the end of the trailer axle.

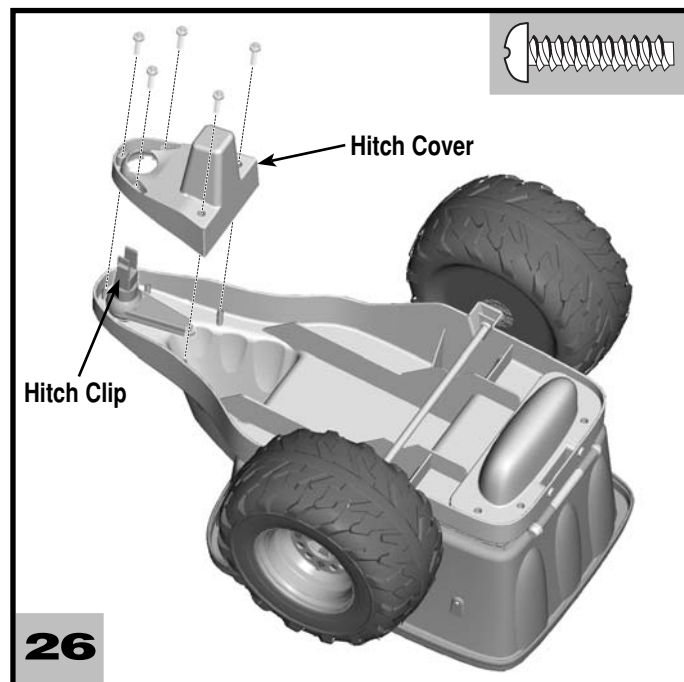
Hint: You may need the help of another adult to support the other end of the trailer axle.

- Pull on the small trailer wheel to be sure it is secure.



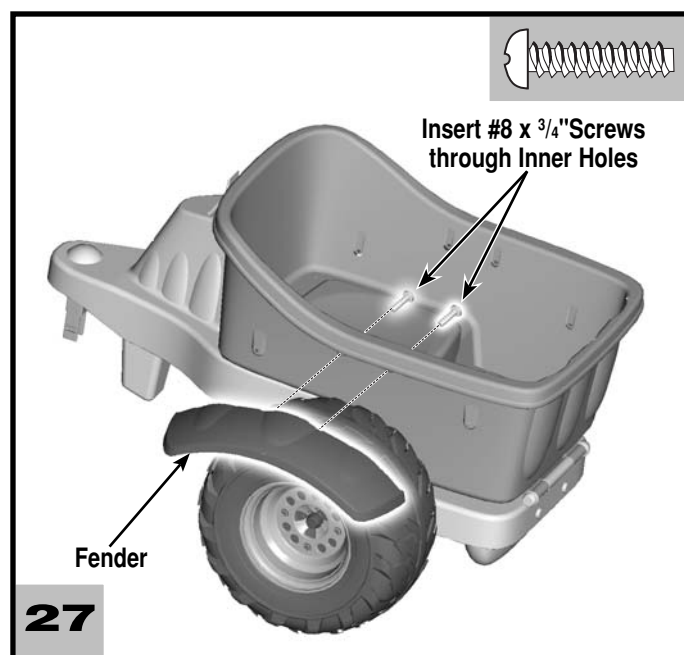
25

- Position the hitch clip with the tabs upright and the long end toward the rear end of the trailer assembly.
- Fit the hitch clip onto the indent in the trailer assembly.



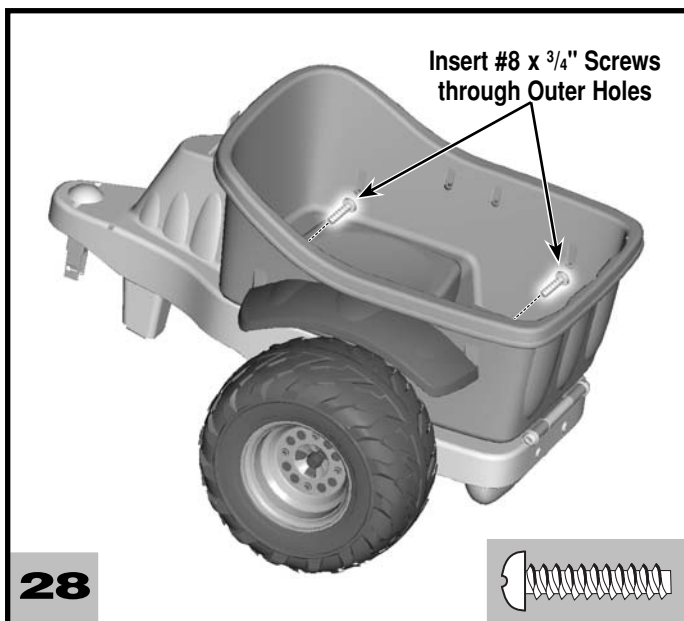
26

- Fit the hitch cover over the hitch clip and onto the trailer assembly.
- Insert five #8 x 3/4" screws into the hitch cover and tighten.



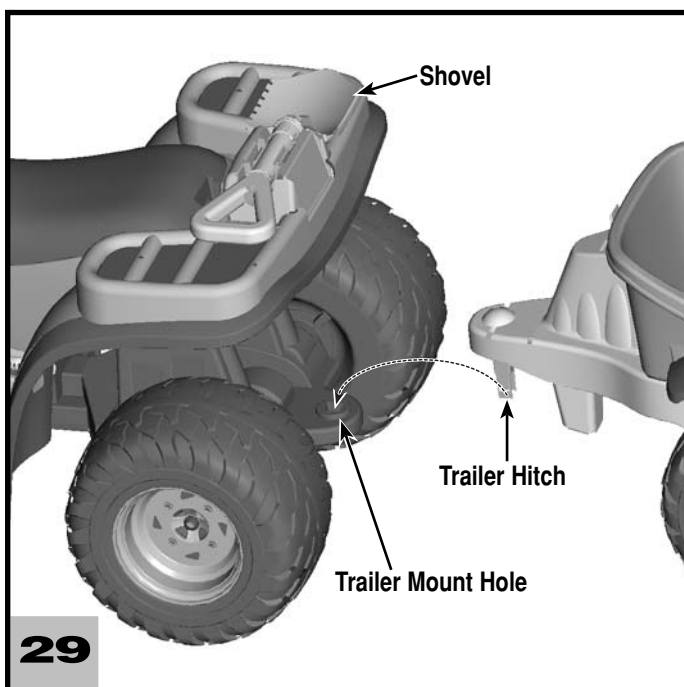
27

- Turn the trailer upright.
- Fit a fender to the side of the bucket.
- **First**, insert two #8 x 3/4" screws through the **inner holes inside** the bucket and into the fender. Tighten the screws. **Do not over-tighten these screws.**



28

- Next, insert two more #8 x $\frac{3}{4}$ " screws through the **outer holes inside** the bucket and into the fender. Tighten the screws.
- Repeat Assembly steps 27 and 28 to assemble the other fender to the other side of the bucket. **Do not over-tighten these screws.**



29

- Snap the shovel into the clips in the rear of the vehicle.
- Insert and **"snap"** the trailer hitch into the hole in the trailer mount on the back end of the vehicle.

- Check all screws, cap nuts and their protective coverings regularly and tighten as required. Check plastic parts on a regular basis for cracks or broken pieces.
- During snowy or rainy weather, the vehicle should be stored inside or under a protective cover. Remember to charge the battery at least once per month while your vehicle is not in regular use.
- Avoid operating the vehicle in wet or snowy conditions, and do not spray the vehicle with a hose. Do not wash the vehicle with soap and water. Water or moisture in the motors or electrical switches can cause them to corrode, and could cause switch or motor failure.
- Avoid operating the vehicle on sand, loose dirt or gravel. Sand, loose dirt or gravel in the motors or electrical switches can cause them to jam, and could cause switch or motor failure.
- The vehicle can be wiped down with a soft, dry cloth. For a shiny finish, you can wipe plastic parts with a non-wax furniture polish applied to a soft-cloth. Do not use automotive wax. Do not use soap and water or spray the vehicle with a hose.
- To ensure that your vehicle stays in good operating order, we recommend that you periodically have your vehicle checked by a Power Wheels® authorized service center. For the location of the authorized service center nearest you, please visit us on-line at www.powerwheels.com or call 1-800-348-0751.

BUMPER-TO-BUMPER* LIMITED WARRANTY

***One year limited warranty from the date of purchase on the Power Wheels® vehicle.
Six month limited warranty on the 12 volt battery.**

For the original purchaser, this one year limited warranty covers the Power Wheels® ride-on vehicle (purchased from Power Wheels®) against defects in materials and workmanship. The six month limited warranty applies only to the 12 volt battery included by Power Wheels® with the original purchase of the vehicle. This warranty covers normal use and does not cover the Power Wheels® vehicle or battery if damaged by unreasonable use, neglect, accident, abuse, misuse, improper service or other causes not arising out of defects in materials or workmanship. Evidence of any attempt at consumer repair will void this warranty. THIS WARRANTY DOES NOT COVER, AND IS INTENDED TO EXCLUDE, ANY LIABILITY ON THE PART OF POWER WHEELS®, WHETHER UNDER THIS WARRANTY OR IMPLIED BY LAW FOR ANY INDIRECT OR CONSEQUENTIAL DAMAGES FOR BREACH OF WARRANTY. SOME STATES DO NOT ALLOW THE EXCLUSION OR LIMITATION SO THIS LIMITATION MAY NOT APPLY TO YOU.

Should you need service or assistance with your vehicle during the warranty period, do not return the vehicle to the store. Power Wheels® has provided a nationwide network of authorized service centers. If there is not an authorized service center in your area, please visit us on-line at www.powerwheels.com or call Consumer Relations for information, 1-800-348-0751.

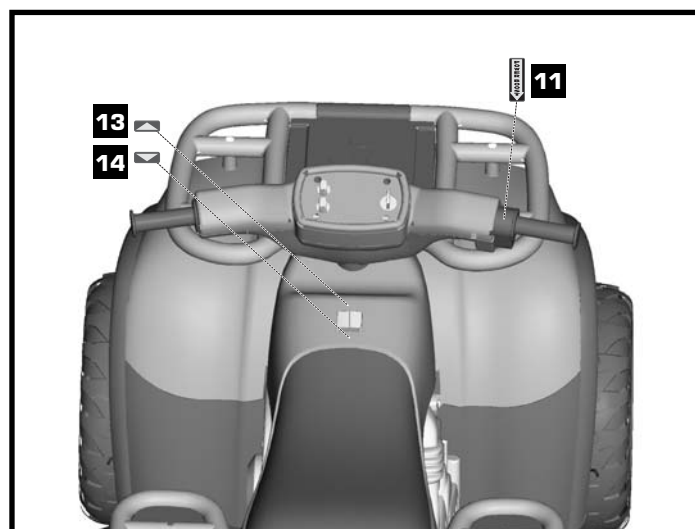
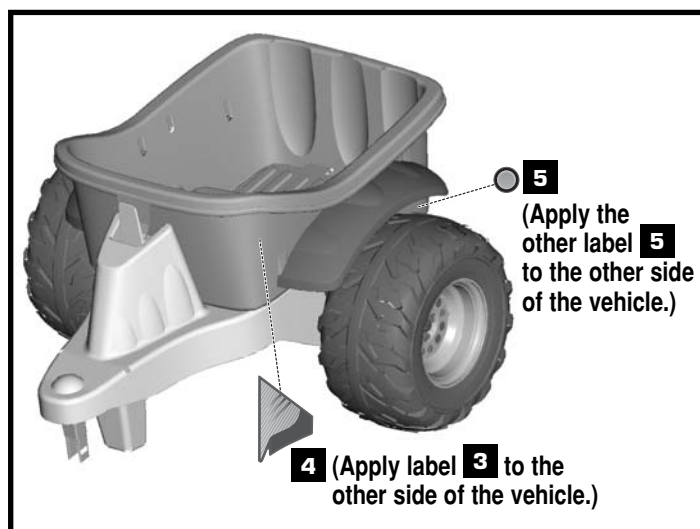
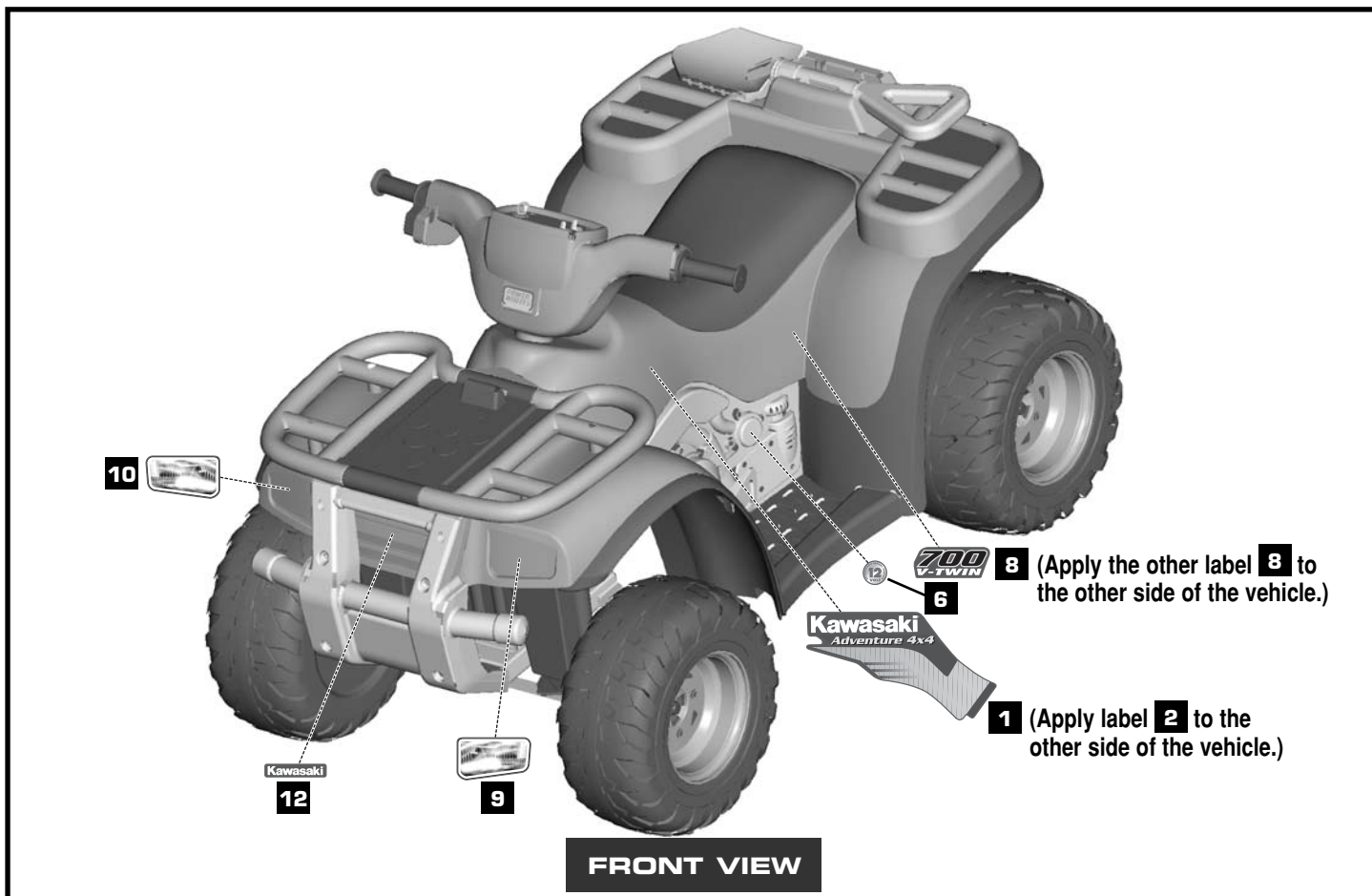
This warranty gives you specific legal rights, and you may also have other rights which may vary from state to state.

PLEASE SAVE YOUR ORIGINAL SALES RECEIPT.

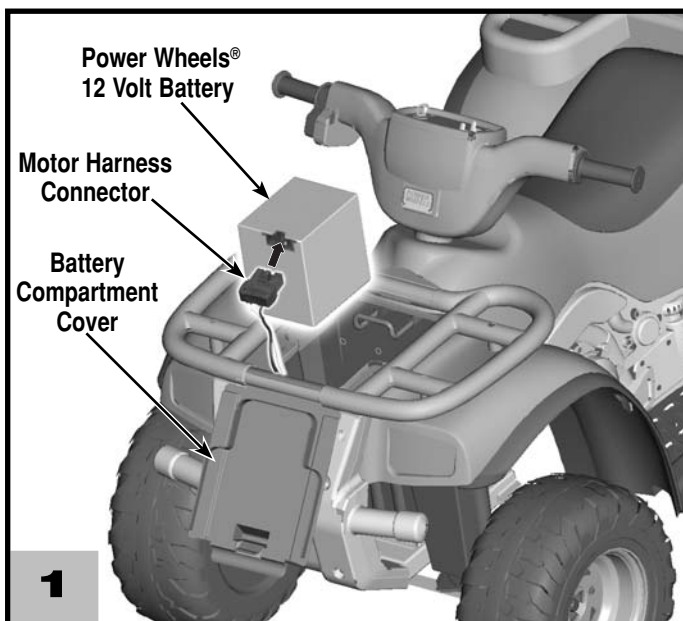
DECORATION

Proper label application will help to keep the labels looking their best! When applying labels, keep the following guidelines in mind:

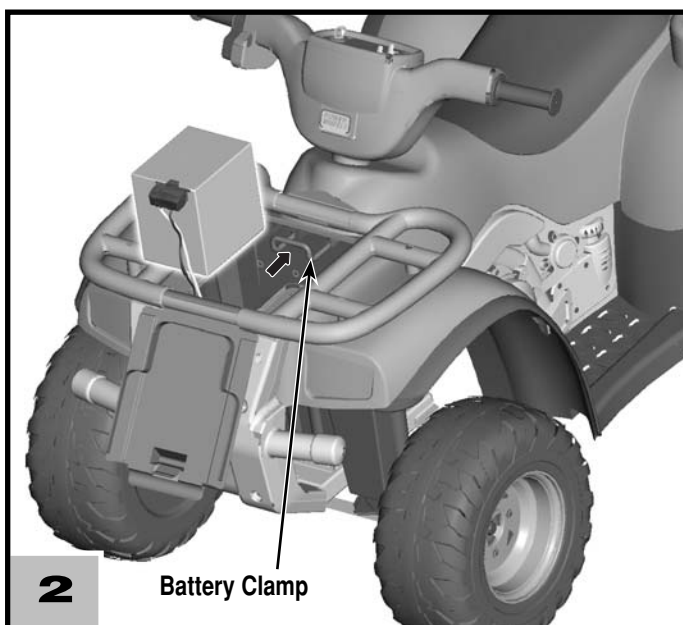
- Wash your hands before applying the labels.
- Before applying the labels, wipe the surface of the vehicle with a clean, dry cloth to remove any dust or oils.
- Place the labels exactly as shown in the illustrations.
- For best results, avoid repositioning a label once it has been applied to the vehicle.
- After applying a label, rub the label firmly with a clean, dry cloth to make sure the label is adhered to your vehicle. Start at the center of a label, and smooth towards the outer edges to remove air bubbles.



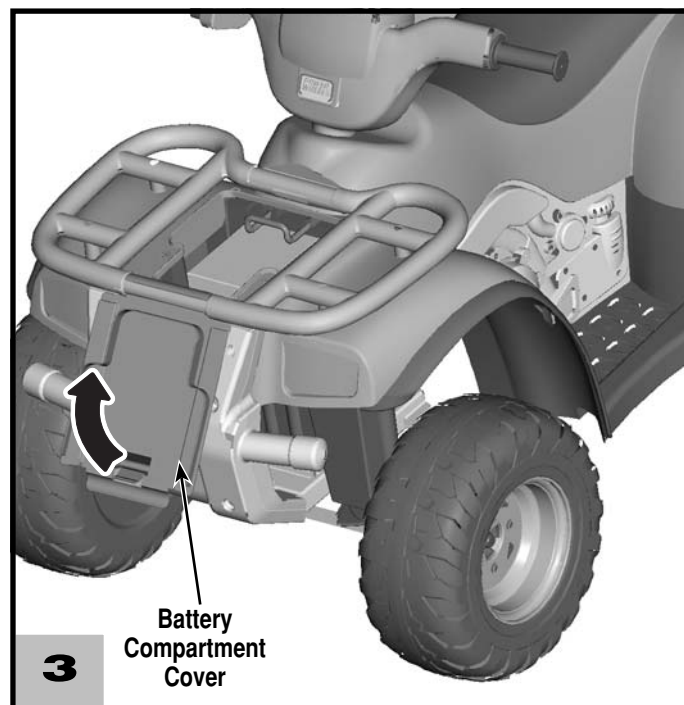
IMPORTANT! Use only a Power Wheels® 12 volt lead-acid rechargeable battery. Use of any other battery will damage your vehicle. Make sure that you charge the battery for at least 18 hours using the enclosed Power Wheels® 12 volt charger before operating your vehicle for the first time. Charge the battery for at least 14 hours after each use of the vehicle. Never charge the battery longer than 30 hours. Failure to follow these instructions may damage your battery and will void your warranty.



- Lift and rotate the battery compartment cover open.
- Plug the motor harness connector into the battery. Push firmly.



- Push the battery clamp.
- Insert the 12 volt battery into the battery compartment.
- Release the battery clamp.



- Rotate the battery compartment cover closed.
- Push the battery compartment cover to “snap” into place.

Care

If a battery leak develops, avoid contact with the leaking acid and place the damaged battery in a plastic bag. See information below for proper disposal.

If acid comes in contact with skin or eyes, flush with cool water for at least 15 minutes and call a physician.

If acid is internally ingested, give water, milk of magnesia or egg whites immediately. Never give emetics or induce vomiting. Call a physician.

- Charge a new battery for at least 18 hours before first use. Never charge the battery longer than 30 hours. Overcharging or undercharging the battery may shorten battery life and decrease vehicle running time.
- After the first charge, recharge the battery for at least 14 hours after each use. Never charge the battery longer than 30 hours. Charge the battery after each use, regardless of how long the vehicle was used.
- The battery must be upright while charging.
- Do not allow the battery to run down completely before charging.
- Charge the battery before storing the vehicle.
- Charge the battery at least once per month, even if the vehicle has not been used.
- Leaving the battery in a discharged condition will ruin it.
- Always remove an exhausted battery from the vehicle. Battery leakage and corrosion can damage the vehicle.
- Do not store the battery on a surface (such as a kitchen counter top) which could be damaged by the acid contained inside the battery. Take precautions to protect the surface on which you store the battery.
- Do not store the battery in temperatures above 75° F or below -10° F.
- Use only a Power Wheels® 12 volt battery. Remember to charge the new battery for at least 18 hours before first use.
- Prevent the battery from moving freely inside the battery compartment. **Always use the battery clamp to secure the battery in the battery compartment.**
- Examine the battery, charger and their connectors for excessive wear or damage each time you charge the battery. If damage is detected, do not use the charger or the battery until you have replaced the worn or damaged part.

Disposal



- Your Power Wheels® battery is a non-spillable, sealed lead-acid battery. It must be recycled or disposed of in an environmentally sound manner.
- Do not dispose of a lead-acid battery in a fire. The battery may explode or leak.
- Do not dispose of a lead-acid battery in your regular, household trash. The incineration, landfilling or mixing of sealed lead-acid batteries with household trash is prohibited by law in most areas.
- Return an exhausted battery to a federal or state approved lead-acid battery recycler, such as a Power Wheels® authorized service center or a local seller of automotive batteries. For the authorized service center location nearest to you, please visit us on-line at www.powerwheels.com or call **1-800-348-0751**. Contact your local waste management officials for other information regarding the environmentally sound collection, recycling and disposal of lead-acid batteries. If you live in the State of Florida or the State of Minnesota, it is prohibited by law for anyone to throw away lead-acid batteries in the municipal waste stream.

RIDING HAZARD

**WARNING**

- **Prevent Injuries and Deaths**

- Direct Adult Supervision Required
- Never Ride at Night.
- Keep Children Within Safe Riding Areas. These areas must be:
 - away from swimming pools and other bodies of water to prevent drownings
 - generally level to prevent tipovers
 - away from steps, cars, steep inclines, roads and alleys.

Teach Safety Rules to Children

While children can quickly develop the skill necessary to drive this vehicle, it is important to remember that their judgment skills are still very immature. Unsupervised driving by children can lead to serious injury. Before children use this vehicle, an adult should carefully evaluate the driving area as well as the children's skill level and ability to drive this vehicle safely. Children are not always able to recognize or anticipate hazards, even when they have been taught about them. There is no acceptable substitute for direct adult supervision.

Teach appropriate safety rules to your child before allowing operation of this vehicle. These rules should also be reviewed with neighborhood children or other playmates who want to drive this vehicle.

Riding Rules**Make sure children know and follow these rules for safe driving:**

1. Always sit on the seat.
2. Always wear shoes.
3. Only 2 (two) riders at a time. One child on the vehicle and one child in the trailer. A child who is not sitting on the seat or who is standing on the vehicle could fall off, cause a tip-over or block the driver's view. A child could be seriously injured.
4. Do not allow any child to drive the vehicle in the street or near moving (motorized) vehicles.
5. Do not allow any child to drive near bodies of water (such as pools or creeks), obstructions (such as furniture, low tree limbs or play equipment), or drop-offs (such as stairs or decks).
6. Do not allow any child to drive the vehicle in the dark. A child could encounter unexpected obstacles and have an accident. Operate the vehicle only in the daytime or a well-lit area.
7. Do not allow your child to drive on sloped or inclined surfaces. Restrict your child's driving to generally level ground ONLY!
8. Do not allow your child to drive down or across a steep slope.
 - The vehicle may gain unsafe speed, even if the pedal is released to stop.
 - The vehicle may tilt and tip over.
 - The wheels could lose traction, causing the vehicle to slip.
9. Do not allow your child to drive up steep inclines. The motor may stop and the vehicle could roll backwards at an unsafe speed.
10. Never put anything near any moving parts. Rotating parts such as motors, gear boxes and wheels can snag fingers, hair, etc., causing serious injury. Do not allow operation of the vehicle when it is on its side or in an upside-down position.
11. Do not operate the vehicle near flammable vapors (gasoline, paint thinner, acetone, liquid wax, etc.). The vehicle's electrical switches, like most electrical switches, emit an internal spark when first turned on or turned off. The presence of flammable liquids or vapors could cause an explosion or a fire. Keep all flammable products in tightly sealed containers and away from the vehicle.
12. Do not allow a child to operate the vehicle without direct adult supervision. To prevent unsupervised use of the vehicle, disconnect the motor harness from the battery when the vehicle is not in use.

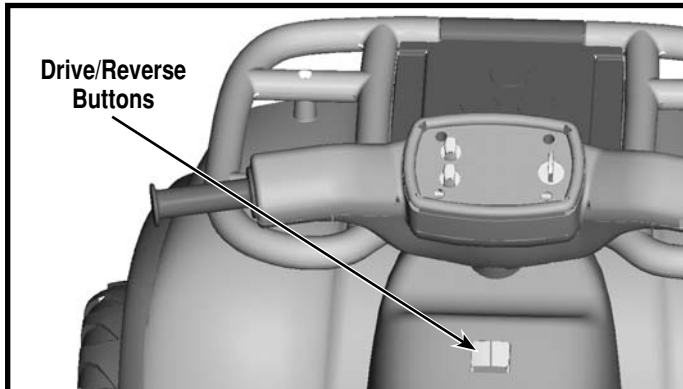
To disconnect the motor harness connector:

- Turn the vehicle on its side.
- Disconnect the handlebar connector from the motor connector.

IMPORTANT! Use this vehicle **ONLY** outdoors. Most interior flooring can be damaged by riding this vehicle indoors. Fisher-Price® will not be responsible for damage to the floor if the vehicle is used indoors.

Beginner Use - Low Speed Drive

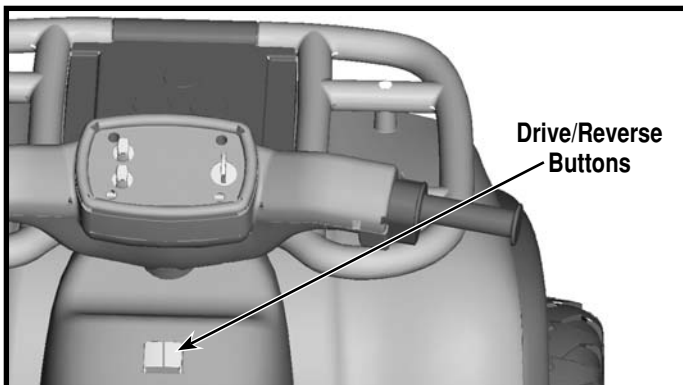
As assembled, your vehicle is ready to roll in low speed (2½ mph, maximum). It has been pre-set so it will only operate in low speed. After your child has mastered the basic skills of driving and understands the rules for safe driving, it's time to remove the high speed lock-out screw to allow the vehicle to operate in low or high speed. **See the instructions on this and the following page to connect the high speed hook-up and use the high speed grip.**



- Press the **drive** button on the tank.
- Press the foot pedal. The vehicle drives forward at a maximum speed of 2½ mph.
- Help your child practice steering to learn how far and how quickly to turn the handlebar when driving forward in low speed.

To Back Up

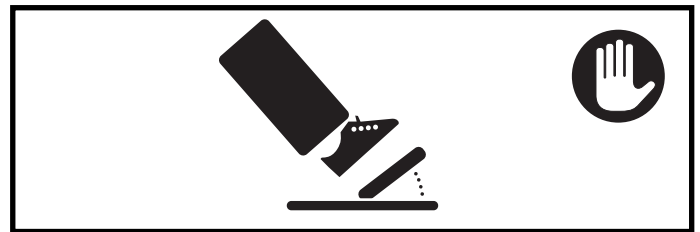
IMPORTANT! To prevent damaging the motors and gears, teach your child to **stop the vehicle before switching direction**. Never shift from drive to reverse, or from reverse to drive, without stopping.



- Press the **reverse** button on the tank.
- Press the foot pedal. The vehicle backs-up at a maximum speed of 2½ mph.

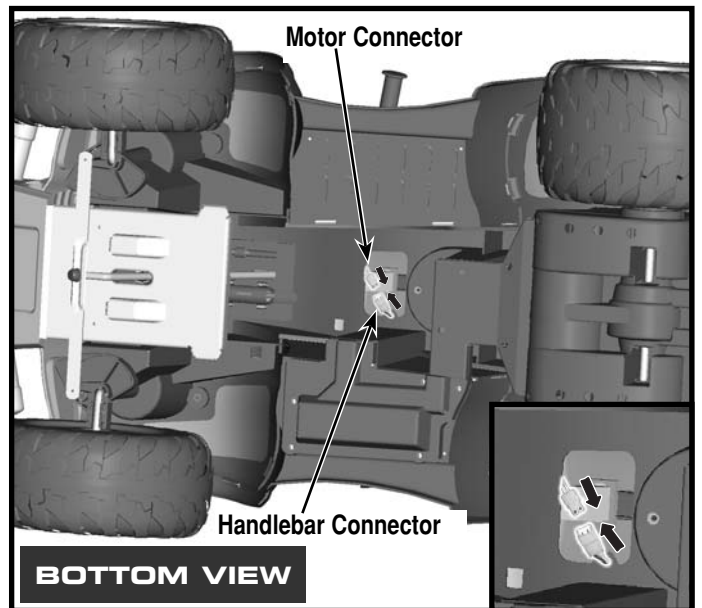
Note: The vehicle is designed to operate in low speed (2½ mph) only in reverse.

- Help your child practice steering to learn how far and how quickly to turn the handlebar when driving in reverse, (especially when the trailer is attached). Guiding the trailer in reverse requires skill.

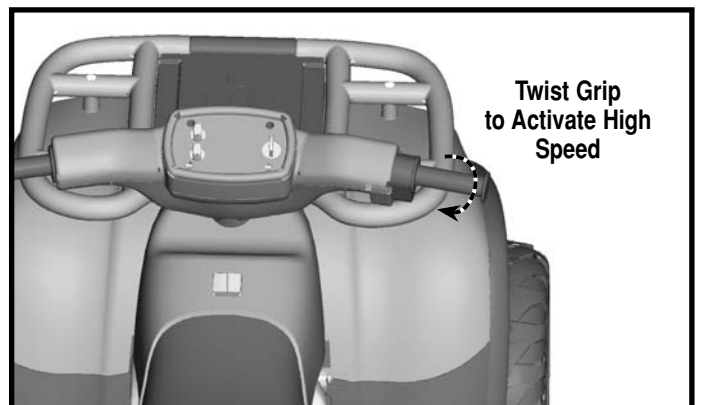


- Your vehicle has a patented, electronic braking system that automatically stops the vehicle when your child's foot lifts from the pedal. Make sure your child is comfortable with steering the vehicle and automatically knows how to stop.

Advanced Use - High Speed Drive



- Turn the vehicle on its side.
- Plug the motor and handlebar connectors together.

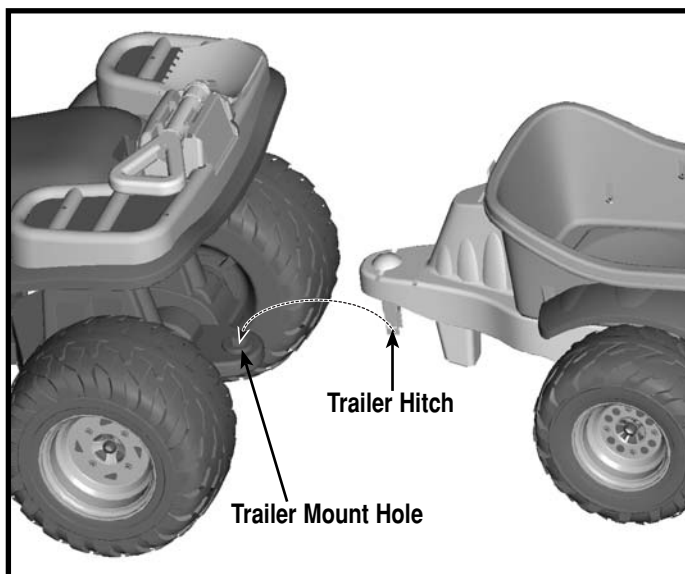


IMPORTANT! To avoid damaging the motors and gears, **stop the vehicle before shifting between low and high speed.**

- Turn the right grip to shift the vehicle into high speed. The vehicle drives forward at a maximum speed of 5 mph.
- Help your child practice steering to learn how far and how quickly to turn the handlebar when driving forward in high speed.

Trailer Hook-Up

IMPORTANT! Do not attach any other vehicle or object to the vehicle.

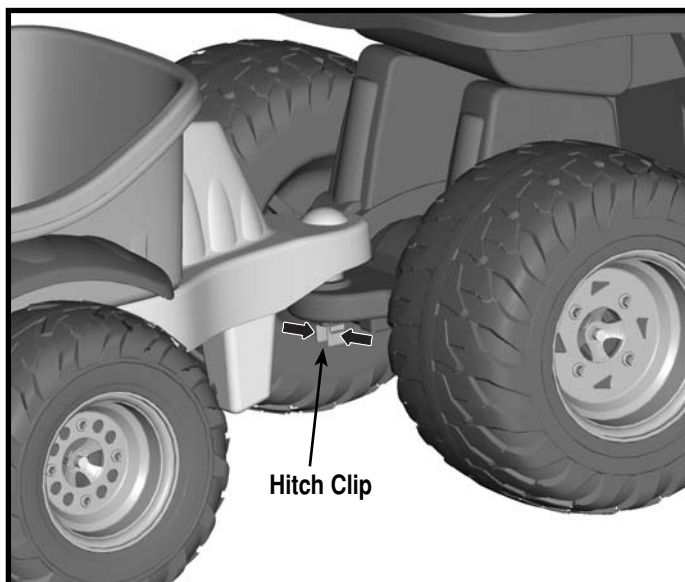


Hint: We recommend adult assistance.

- Insert and “**snap**” the trailer hitch into the hole in the trailer mount on the back end of the vehicle. Pull the trailer hitch up to be sure it is secure on the vehicle.

Trailer Removal

IMPORTANT! Do not attach the trailer to any other vehicle.

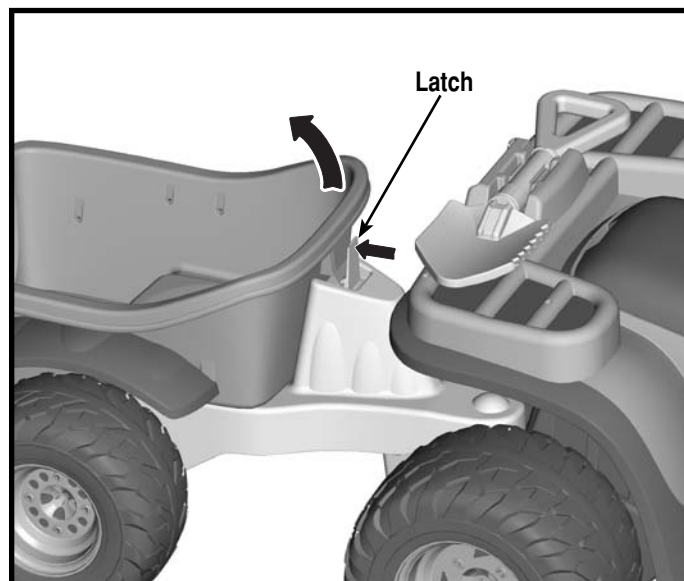


Hint: We recommend adult assistance.

- Squeeze the hitch clip and push up to remove the trailer from the vehicle.

Dump the Bucket

IMPORTANT! Be sure you instruct children that it is unsafe to press the latch while a child is riding in the trailer.



- Push the latch and watch the bucket dump!

IMPORTANT! If you experience a problem with your vehicle, first check the Problems and Solutions Guide below. If you still experience a problem, please contact Power Wheels® Consumer Relations, toll-free at **1-800-348-0751** between 8 AM and 6 PM (EST) Monday through Friday. Or, contact your local Power Wheels® authorized service center. For the location nearest you, please visit us on-line at www.powerwheels.com, or call **1-800-348-0751**.

PROBLEM	POSSIBLE CAUSE	SOLUTION
Vehicle does not run	Undercharged battery	Charge the battery. A new battery should have been charged for at least 18 hours before using the vehicle for the first time. After first-time use, recharge the battery for at least 14 hours after each use. Never charge the battery longer than 30 hours.
		Check all connectors. Make sure the charger connector is plugged into the battery, and that the charger is plugged into the wall.
		Make sure power flow to the wall outlet is "ON".
	Charger is not working	There is no sure way to tell if your charger is working unless you have a volt meter. If you suspect there is a problem with your charger, contact your local Power Wheels® authorized service center. They can test your charger for you.
	Tripped thermal fuse	The built-in thermal fuse may "trip" and shut down operation of the vehicle if the vehicle is overloaded or the driving conditions too severe. The fuse will automatically reset itself after approximately 25 seconds, allowing the vehicle to resume normal operation. To avoid repeated automatic shutdowns, do not overload the vehicle by exceeding the 130 lb. maximum weight capacity (90 lbs. vehicle; 40 lbs. trailer) or by towing anything behind the vehicle. Do not drive up hills or run into fixed objects, which can cause the wheels to stop spinning while power is still being supplied to the motors. If a thermal fuse continually trips, contact your local Power Wheels® authorized service center.
	Loose wire or loose connectors	Check all wires and connectors. Make sure the motor harness connector is plugged into the battery, and that there are no loose wires around the motors.
	Dead battery	If your battery is old or if you have not followed Battery Care instructions, your battery may be dead. If you are unsure whether or not the battery is dead, you can have it tested at your local Power Wheels® authorized service center.
	Electrical switch damage	The electrical switches can become corroded due to exposure to water or moisture, or can jam due to loose dirt, sand or gravel. Contact your local Power Wheels® authorized service center for diagnosis and repair.
Vehicle was running but suddenly stopped	Motor damage	Contact your local Power Wheels® authorized service center for diagnosis and repair.
	Loose wire or loose connectors	Check all wires and connectors. Make sure the motor harness connector is plugged into the battery, and that there are no loose wires around the motors.
	Tripped thermal fuse	The built-in thermal fuse may "trip" and shut down operation of the vehicle if the vehicle is overloaded or the driving conditions too severe. The fuse will automatically reset itself after approximately 25 seconds, allowing the vehicle to resume normal operation. To avoid repeated automatic shutdowns, do not overload the vehicle by exceeding the 130 lb. maximum weight capacity (90 lbs. vehicle; 40 lbs. trailer) or by towing anything behind the vehicle. Do not drive up hills or run into fixed objects, which can cause the wheels to stop spinning while power is still being supplied to the motors. If a thermal fuse continually trips, contact your local Power Wheels® authorized service center.

PROBLEM	POSSIBLE CAUSE	SOLUTION
Short run time (Less than 1 - 3 hours per charge)	Undercharged battery	Charge the battery. A new battery should have been charged for at least 18 hours before using the vehicle for the first time. After first-time use, recharge the battery for at least 14 hours after each use. Never charge the battery longer than 30 hours.
		Check all wires and connectors. Make sure the charger connector is plugged into the battery, and that the charger is plugged into the wall.
		Make sure power flow to the wall outlet is "ON".
	Overcharged battery	Do not charge the battery longer than 30 hours. If you suspect that your battery is damaged as a result of overcharging, contact your local Power Wheels® authorized service center. They can test your battery for you.
	Battery is old and will not accept full charge	Even with proper care, a rechargeable battery does not last forever. Average battery life is 1 to 3 years depending on vehicle use and use conditions. Replace the battery with a new Power Wheels® 12 volt rechargeable battery. Do not substitute parts.
Vehicle runs sluggishly	Undercharged battery	Charge the battery. A new battery should have been charged for at least 18 hours before using the vehicle for the first time. After first-time use, recharge the battery for at least 14 hours after each use. Never charge the battery longer than 30 hours.
		Check all connectors. Make sure the charger connector is plugged into the battery, and that the charger is plugged into the wall.
		Make sure power flow to the wall outlet is "ON".
	Battery needs charging	Be sure to charge the battery after each use.
	Battery is old and will not accept full charge	Even with proper care, a rechargeable battery does not last forever. Average battery life is 1 to 3 years depending on the vehicle use and use conditions. Replace the battery with a new Power Wheels® 12 volt rechargeable battery. Do not substitute parts.
Vehicle is overloaded	Make sure you do not overload the vehicle by allowing more than two riders at one time, by exceeding the total 130 lb. maximum weight capacity (90 lbs. vehicle; 40 lbs. trailer), or by towing objects behind the vehicle.	
Driving conditions are too stressful	Use only on generally level ground.	

PROBLEMS AND SOLUTIONS GUIDE

PROBLEM	POSSIBLE CAUSE	SOLUTION
Vehicle runs in low speed, but does not run in high speed. Please note: The vehicle is designed to operate in low speed only in reverse.	High speed lock-out not disconnected.	The vehicle was pre-set to run only in low speed until you connect the high speed hook-up. Follow the instructions on page 23 to connect High Speed Hook-Up. Note: The high-speed connectors must be joined to use the high speed grip.
When the foot pedal is pressed one rear wheel spins	Operation of vehicle in low speed	It is possible that only one rear wheel may spin when both rear wheels are raised off the ground and the vehicle is in low speed. This does not necessarily indicate a problem. Check for proper operation of the drive system by raising the rear wheels off the ground and pressing the foot pedal. If only one rear wheel spins, carefully press your hand on the spinning wheel to slow it down. The other rear wheel should begin to spin. If the other rear wheel does not begin to spin, there may be a problem with the vehicle. Contact your local Power Wheels® authorized service center for diagnosis and repair.
Sometimes the vehicle doesn't run, but other times it does	Loose wire or connector	Check all wires around the motors and all connectors to make sure they are tight.
	Motor or electrical switch damage	Contact your local Power Wheels® authorized service center for diagnosis and repair.
When the go foot pedal is pressed, the vehicle won't run without a push	Loose wire or connector	Check all wires around the motors and all connectors to make sure they are tight.
	"Dead Spot" on motor	Contact your local Power Wheels® authorized service center for diagnosis and repair.
Battery's thermal fuse constantly "trips", but the vehicle is not overloaded nor the driving conditions too severe	Damaged battery	Contact your local Power Wheels® authorized service center for diagnosis and repair.
	Child is switching between FORWARD and REVERSE without stopping	Teach your child to stop the vehicle before switching direction.
Loud clacking or grinding noise from a motor-gearbox	Broken gears	Contact your local Power Wheels® authorized service center for diagnosis and repair.
Charger gets warm during use	It is normal for some chargers to get warm during use and is not reason for concern.	No action required.
		If your charger does not get warm during use, it does not mean that it is not working properly.
Battery makes a sizzling or gurgling noise when charging	It is normal for some batteries to make noise and swell slightly while charging and is not reason for concern.	No action required.
		If your battery does not make noise or swell slightly during charging, it does not mean that it is not accepting the charge.

If, after reviewing the Problems and Solutions Guide, the vehicle still fails to operate, please contact your nearest authorized service center or contact Power Wheels® Consumer Relations toll-free at **1-800-348-0751**.

Hint! For faster service when calling Consumer Relations, completely charge the battery before calling and have the following available by the phone:

- vehicle,
- vehicle model number (see label in battery compartment),
- vehicle production run number (see label in battery compartment).



**Before first-time use,
you must charge the battery
18 hours!**

Charge the battery immediately after each use.
Charge the battery once a month, even if the vehicle
is not used or stored.

**Do not return
your vehicle to the store!**

We're a toll-free phone call away, and we can help.
If you are missing parts or need assistance, please call:

1-800-348-0751

Or contact your local **independently owned and operated**
Power Wheels® Authorized Service Center.

For the location nearest you, visit us on-line at www.powerwheels.com.

Fisher-Price, Inc., a subsidiary of Mattel, Inc., East Aurora, New York 14052 U.S.A.
©2005 Mattel, Inc. All Rights Reserved. ® and ™ designate U.S. trademarks of Mattel, Inc.