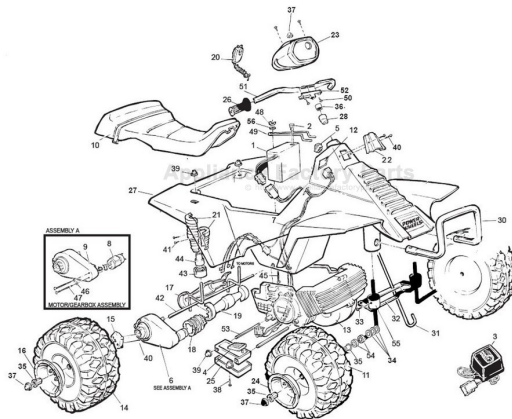


This Owner's Manual is provided and hosted by [Appliance Factory Parts](#).



FISHER PRICE 78475 Owner's Manual

[Shop genuine replacement parts for FISHER PRICE
78475](#)



[Find Your FISHER PRICE Ride On Parts - Select From 999 Models](#)

----- Manual continues below -----



Product features may vary from the picture below.



★ ★ **Barbie**[™] ★ ★
Trail Rider

Owner's Manual with Assembly Instructions

Please read this manual and save it with your original sales receipt.

For Model 78475

Tools needed for assembly: Phillips Screwdriver, Slotted Screwdriver and Hammer (not included).
Use only with a Power Wheels® 6 Volt Battery with A-Style Connector and Built-In Thermal Fuse
and a Power Wheels® Super 6 Volt™ Charger with A-Style Connector (both included).

Table of Contents

A	Important Information	2
B	Warnings	3
C	Parts	4
D	Parts Diagram	6
E	Battery Charging	7
F	Assembly	9
G	Label Decoration	15
H	Battery Installation	16
I	Battery Care and Disposal	17
J	Rules for Safe Driving	18
K	How to Operate Your Vehicle	19
L	Caring for Your Vehicle	19
M	Problems and Solutions Guide	20
N	Limited Warranty	23
O	Authorized Service Centers	23

A

Important Information

- Your new vehicle requires adult assembly. Please set aside at least 45 minutes for assembly.
- You must charge your battery for 18 - 30 hours **before you use your vehicle for the first time**. We recommend that you start charging your battery before beginning assembly. Please see "Battery Charging" on page 7 for detailed instructions.
- Read this manual carefully for important safety information and operating instructions before using your vehicle.
- This vehicle is designed for use on grass, asphalt or other hard surfaces, on flat terrain or hills, by children 3 - 6 years of age.
- To prevent damaging the motors and gears, do not tow anything behind the vehicle or overload it. Do not exceed the maximum weight capacity of 65 lbs. (30 kg).
- If you have any questions about your Power Wheels® vehicle, please call our toll-free service lines at **1-800-348-0751** from 8 AM to 5 PM (EST) Monday through Friday. Trained customer service representatives are available to take your call in English or French.
Habla Español? Si usted tiene alguna pregunta ó necesita asistencia llame gratis **1-800-348-0755** para los Estados Unidos. Tenemos representantes que hablan español para atender su llamada.
- For your convenience, Power Wheels maintains an Authorized Service Center Network with more than 400 Authorized Service Centers nationwide. Our Authorized Service Centers will repair or replace parts under warranty at no extra charge, and can perform non-warranty repairs for a minimal charge. Please see the Authorized Service Center list beginning on page 23 to find the Authorized Service Center nearest to you, or call **1-800-348-0751**.
- Please complete and return the enclosed Registration Card today, or call **1-800-348-0751** to register your vehicle by phone.



CAUTION

- This product contains small parts. Adult assembly is required.
- Use the charger in dry locations only.

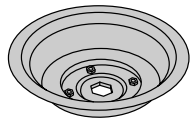
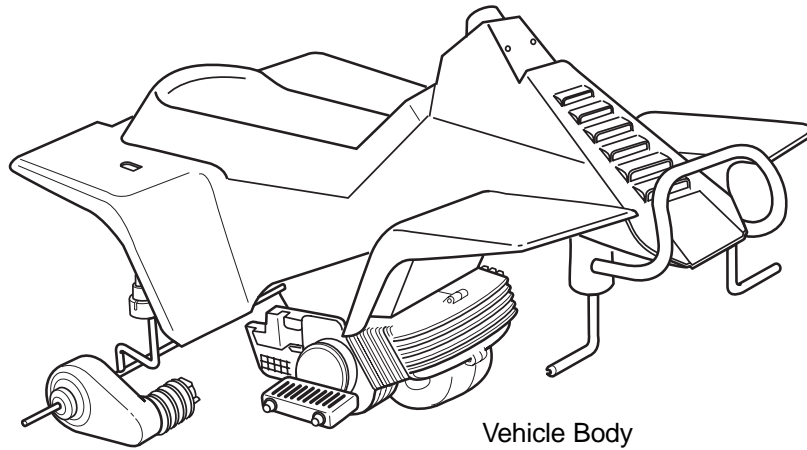
**WARNING**

- Children can be harmed by small parts, sharp edges and sharp points in the vehicle's unassembled state, or by electrical items. Care should be taken in unpacking and assembly of the vehicle. Children should not handle parts, including the battery, or help in assembly of the vehicle.
- Keep small parts and plastic bags out of children's reach. Dispose of plastic bags properly.
- Adult supervision is required. Children do not have the judgement necessary to avoid many accidents. Be sure that children operating this vehicle can do so safely and that they are supervised at all times.
- Never use near steps, driveways, steep inclines, roadways, alleys, swimming pool areas or other bodies of water.
- Always wear shoes or sneakers when operating this vehicle.
- Never allow more than one rider.
- The rider should sit on the seat when the vehicle is in operation.
- **Hot** motor cover. Handle carefully.
- Never alter this vehicle or its electrical system in any way. Alterations could cause a fire resulting in injury and could also ruin the electrical system.
- Use of the wrong type battery or charger could cause a fire or explosion, resulting in serious injury.
- Use of Power Wheels® components in products other than Power Wheels® vehicles could cause overheating, fire or explosion.
- The battery must be handled by adults only. The battery is heavy and contains sulfuric acid (electrolyte). Dropping the battery could result in serious injury.
- Never lift or carry the battery by the wires or connector. This can damage the battery and possibly cause a fire resulting in injury. Lift and carry the battery by the case only.
- Read the cautions on the back panel of the battery.
- Never allow children to charge the battery. Battery charging must be done by adults only. A child could be injured by the electricity involved in charging the battery.
- Examine the battery, charger and their connectors for excessive wear or damage each time you charge the battery. If damage or excessive wear is detected, do not use the vehicle until you have replaced the worn or damaged part as it could possibly cause a fire resulting in injury.

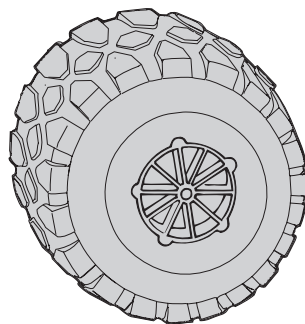
C

Parts

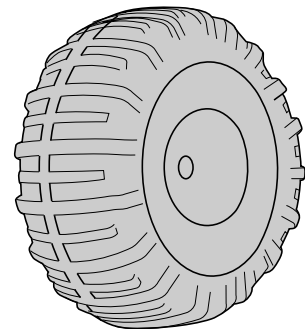
- If you experience a problem with this product, or are missing a part, please call us at **1-800-348-0751**, rather than return this product to the store.
- Please identify all parts before assembly and save all packaging material until assembly is complete to ensure that no parts are discarded.
- Metal parts have been coated with a lubricant to protect them during shipment. Wipe all metal parts with a paper towel to remove any excess lubricant.



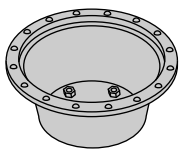
Front Hubcap – 2



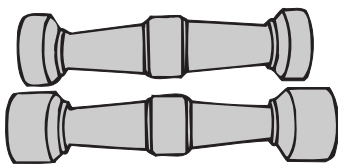
Rear Wheel – 2



Front Wheel – 2



Rear Hubcap – 2



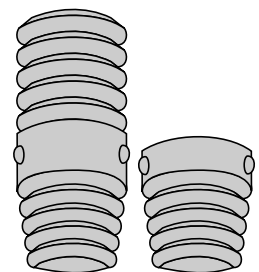
Rear Axle Cover
(2 pieces)



Steering Bushing

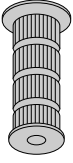


Steering Spacer

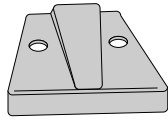


Shock Set – 2
(4 pieces)

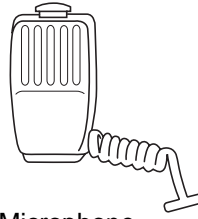
Parts



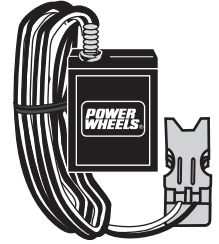
Hand Grip - 2



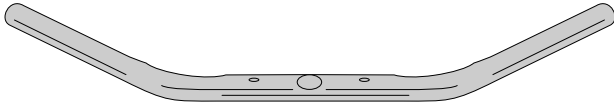
Cover Plate



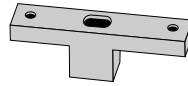
Microphone



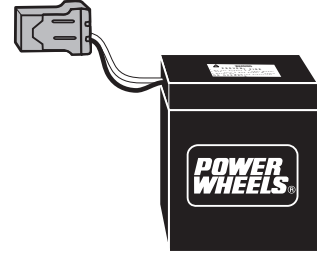
Super 6™ Volt Charger



Handlebar



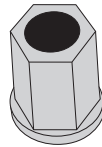
Handlebar Neck



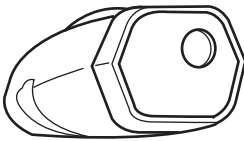
6 Volt Battery



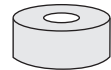
Steering Column



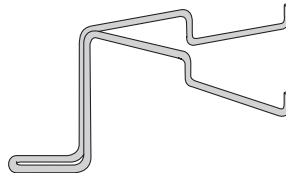
Hex Bushing - 6



Console/Headlight Assembly



Axle Spacer - 4

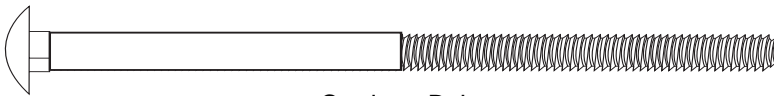


Battery Retainer



Wing Nut

Part not shown: Label Sheet



Carriage Bolt



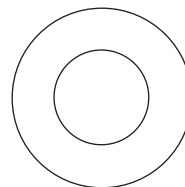
#8 x 2" Screw - 2



#8 x 1/2" Screw - 2



#8 x 1" Screw - 2



7/16" Washer - 10



#10 Washer



#6 x 1/2" Screw - 5



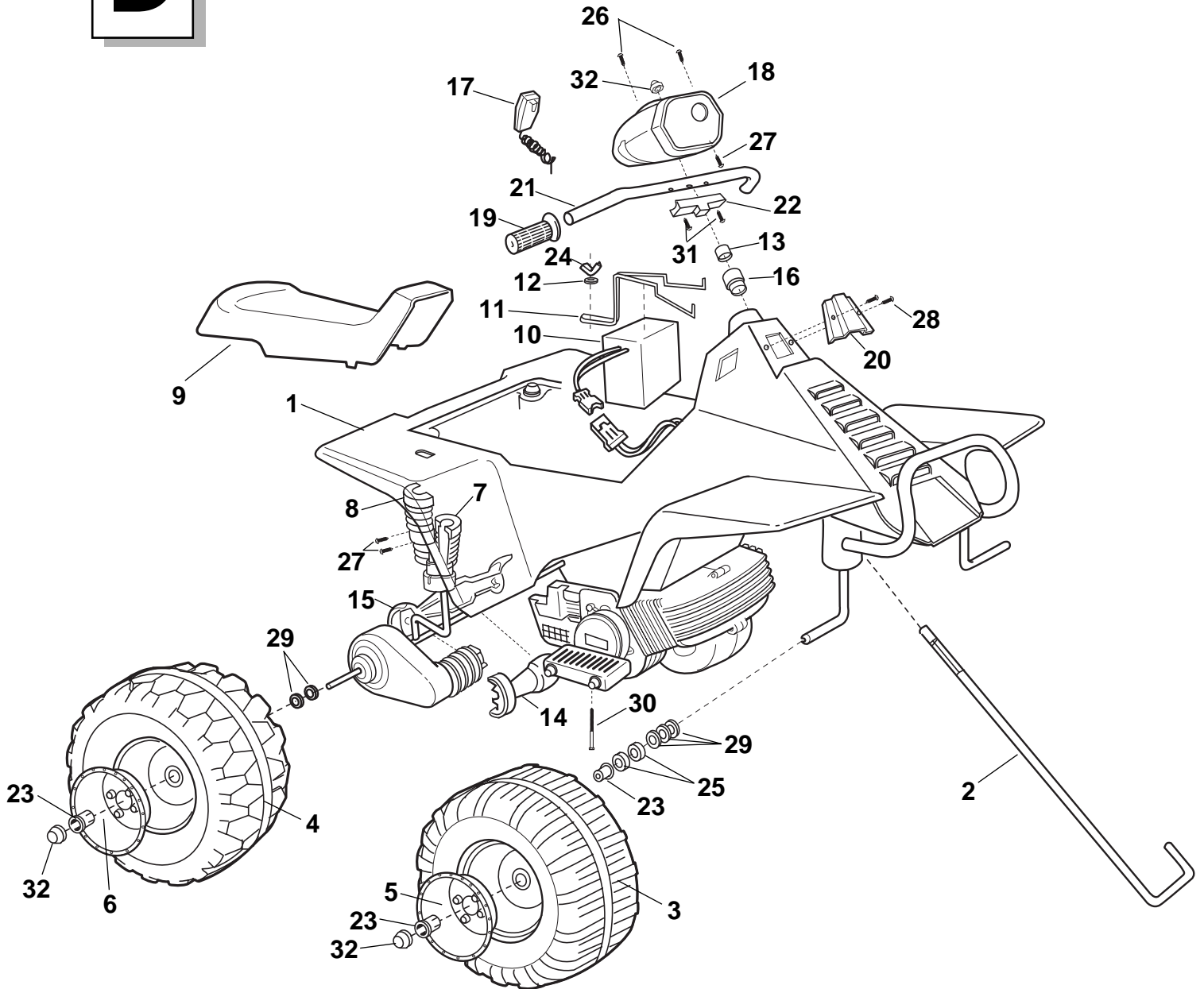
Cap Nut - 6*

All Shown Actual Size

*For your convenience, an extra cap nut has been included.

D

Parts Diagram



- | | | |
|-------------------------|--|-------------------------|
| 1. Vehicle Body | 13. Steering Spacer | 24. Wing Nut |
| 2. Steering Column | 14. Rear Axle Cover – Short Half | 25. Axle Spacer - 4 |
| 3. Front Wheel – 2 | 15. Rear Axle Cover – Long Half | 26. #8 x 1" Screw – 2 |
| 4. Rear Wheel – 2 | 16. Steering Bushing | 27. #6 x 1/2" Screw – 5 |
| 5. Front Hubcap – 2 | 17. Microphone | 28. #8 x 1/2" Screw – 2 |
| 6. Rear Hubcap – 2 | 18. Console/Headlight Assembly
(3 pieces) | 29. 7/16" Washer – 10 |
| 7. Small Shock Half – 2 | 19. Hand Grip – 2 | 30. Carriage Bolt |
| 8. Large Shock Half – 2 | 20. Cover Plate | 31. #8 x 2" Screw – 2 |
| 9. Seat | 21. Handlebar | 32. Cap Nut – 5 |
| 10. 6 Volt Battery | 22. Handlebar Neck | |
| 11. Battery Retainer | 23. Hex Bushing – 6 | |
| 12. #10 Washer | | |

Not Shown
Super 6™ Volt Charger
Label Sheet

⚠ WARNING

- The battery must be handled by adults only. The battery is heavy and contains sulfuric acid (electrolyte). Dropping the battery could result in serious injury.
- Never allow children to charge the battery. Battery charging must be done by adults only. A child could be injured by the electricity involved in charging the battery.
- Use of the wrong type battery or charger could cause a fire or explosion, resulting in serious injury.
- Use of Power Wheels® components in products other than Power Wheels® vehicles could cause overheating, fire or explosion.
- Read the cautions on the back panel of the battery.
- Never lift or carry the battery by the wires or connectors. This can damage the battery and possibly cause a fire. Lift and carry the battery by the case only.
- Examine the battery, charger and their connectors for excessive wear or damage each time you charge the battery. If damage or excessive wear is detected, do not use the charger or the vehicle until you have replaced the worn or damaged part.
- Never alter this vehicle or its electrical system in any way. Alterations could cause a fire resulting in injury and could also ruin the electrical system.

⚠ CAUTION

Use the charger indoors only.

Important Notes:

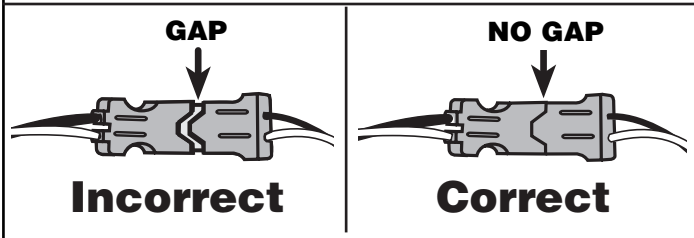
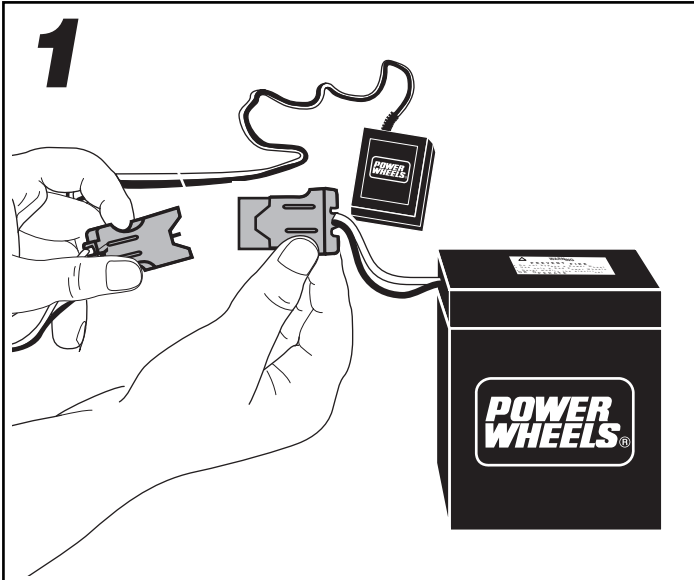
- **Your new battery must be charged for at least 18 hours before you use it in your vehicle for the first time.**
- We recommend that you start charging your battery before beginning assembly of your new vehicle.
- Use only a Power Wheels® Super 6™ volt charger with A-style connector (120 VAC 60 Hz 15W with an output of 6 VDC 7.2W (1200mA) to charge your Power Wheels® 6 volt battery with A-style connector and built-in thermal fuse.
- The charger is not a toy.
- Before charging the battery, examine the battery case for cracks or other damage which may allow sulfuric acid (electrolyte) to leak during the charging process. Never attempt to charge a damaged battery. If damage is detected, do not charge the battery or use it in your vehicle. Battery acid is very corrosive and can cause severe damage to surfaces it contacts. Take precautions to protect any surface on which you charge the battery.
- The battery must be upright while charging.
- Do not short circuit the battery.
- You do not need to remove the battery from your vehicle to recharge it.
- If your battery is old and will not accept a charge, do not leave it in the vehicle. Always remove a dead battery from the vehicle. Replace the battery with a Power Wheels® 6 volt battery with A-style connector and built-in thermal fuse.

About Thermal Fuses

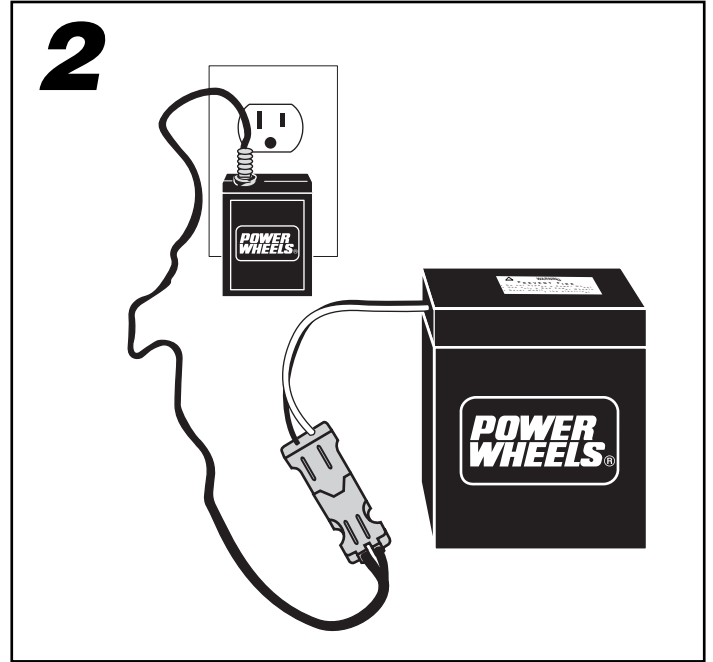
Your Power Wheels® 6 volt battery is equipped with a built-in thermal fuse. The thermal fuse is a self-resetting safety device which automatically “trips” and shuts down operation of the vehicle if the vehicle is overloaded or the driving conditions too severe. Once a fuse has “tripped”, it will automatically reset itself after approximately 25 seconds and allow the vehicle to resume normal operations. To avoid repeated automatic shutdowns, do not overload the vehicle by exceeding the 65 lb. maximum weight capacity or by towing anything behind the vehicle. Avoid severe driving conditions, such as driving up very steep slopes or running into fixed objects, which can cause the wheels to stop spinning while power is still being supplied to the motors. Make sure your child stops the vehicle before switching direction.

If a thermal fuse in the battery continually trips under normal driving conditions, please contact your local Power Wheels® Authorized Service Center. Please see page 23 for the location of the authorized service center nearest to you.

Battery Charging



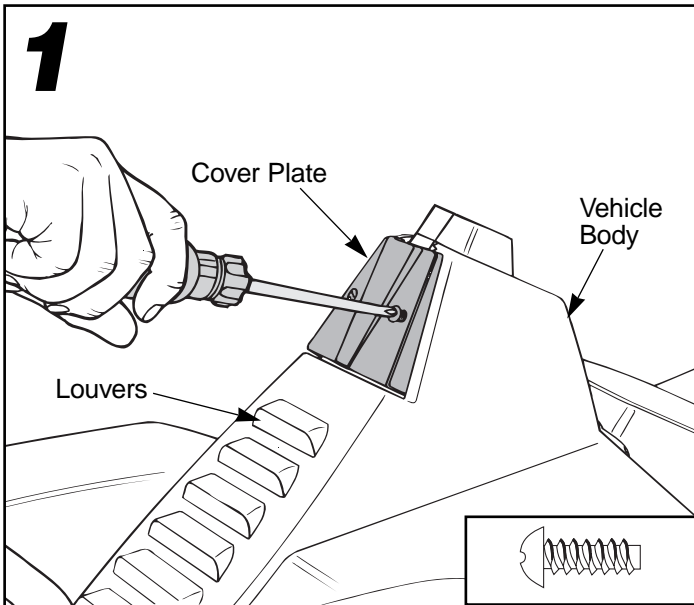
- Plug the charger and battery connectors together. Push firmly to snap the two connectors together.



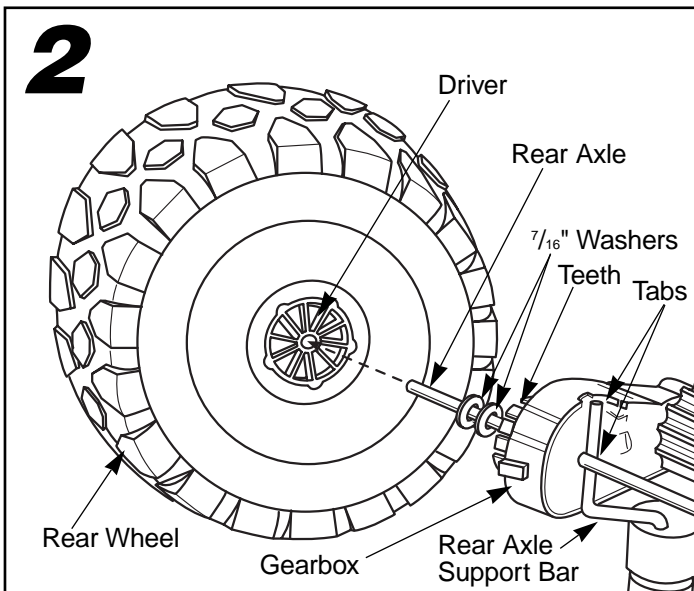
- Plug the charger into a standard 120 volt wall outlet.
Note: If power flow to the wall outlet is controlled by a switch, make sure the switch is "ON".
- **Before first time use, charge the battery for at least 18 hours.** Never charge the battery longer than 30 hours.
- **Recharge the battery for at least 14 hours** after each use of your vehicle. Do not charge the battery longer than 30 hours.
- Once the battery is charged, disconnect the charger connector from the battery connector. Unplug the charger from the wall outlet. The battery is now charged and is ready to be installed in your vehicle.

F

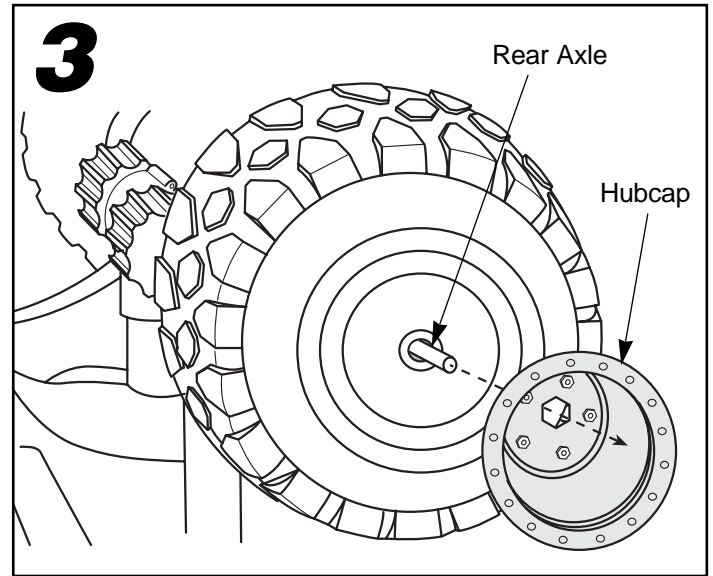
Assembly



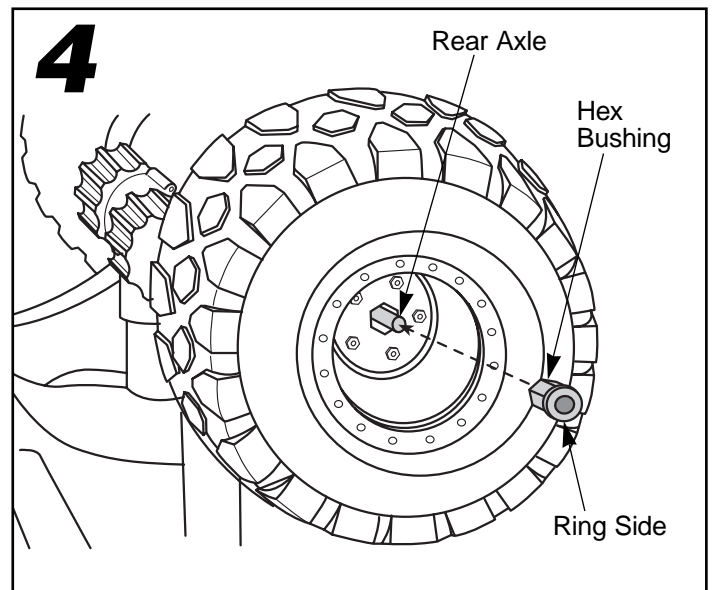
- Fit the cover plate over the opening above the louvers in the front of the vehicle body.
 - Insert two # 8 x 1/2" screws through the cover plate and into the vehicle body.
 - Tighten the screws with a Phillips screwdriver. Do not over-tighten.



- Position the vehicle body upside down. **Make sure that the tabs on the gearboxes rest against the rear axle support bars so the gearboxes and motors do not hang down.**
 - Slide **two** 7/16" washers onto one of the rear axles.
 - Slide a rear wheel, driver side first, onto the rear axle.
 - Fit the teeth on the gearbox into the notches in the driver.

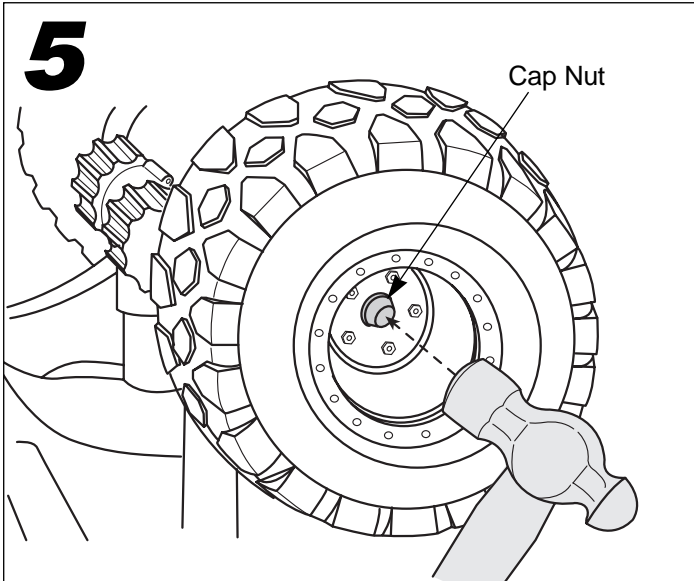


- Fit a hubcap on the rear axle and slide it into the center of the rear wheel.

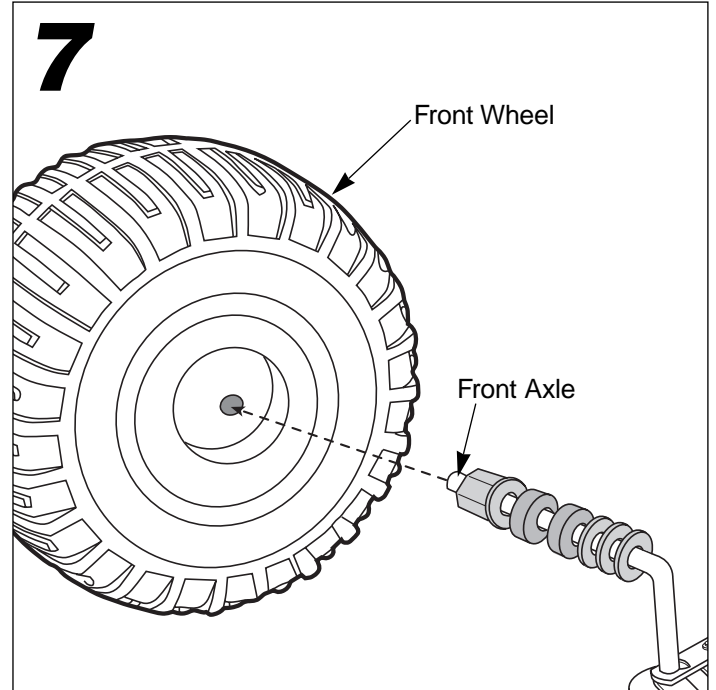


- Slide a hex bushing onto the rear axle. The ring side of the hex bushing should face out.
 - Press firmly to fit all but the ring on the end of the hex bushing into the rear wheel.

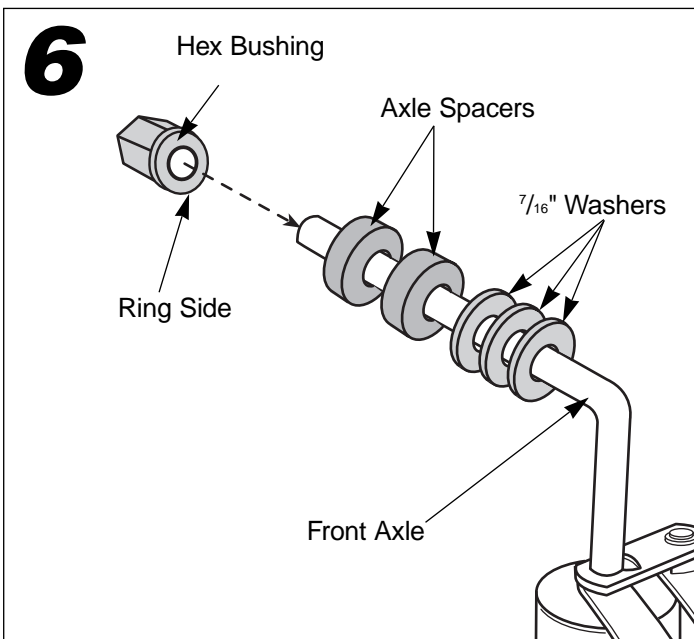
Assembly



- Fit a cap nut on the end of the rear axle.
- Tap the cap nut with a hammer to secure it on the end of the rear axle.
- Pull on the wheel to make sure the cap nut is securely fastened.
- Repeat this procedure to assemble the other rear wheel to the other rear axle.

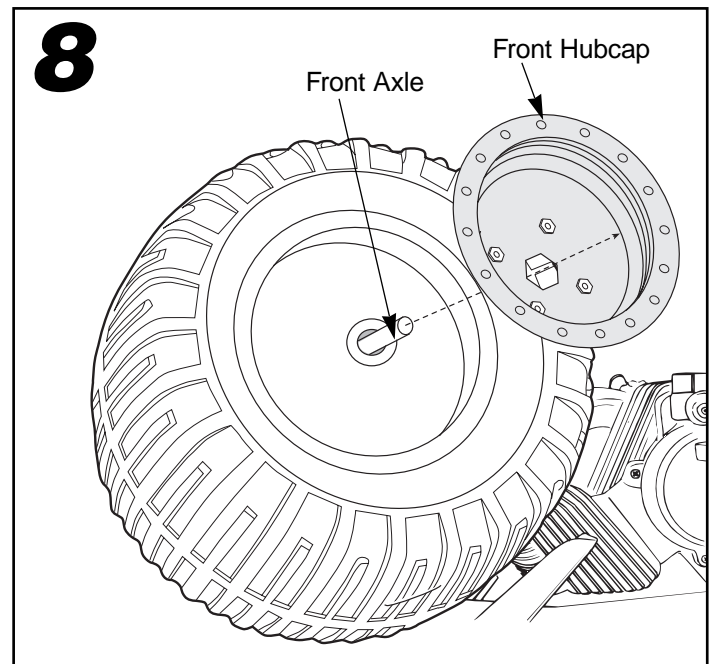


- Slide a front wheel onto the front axle.



Important Note: Please attach the hardware in this step in the proper sequence, as shown in the illustration and explained below.

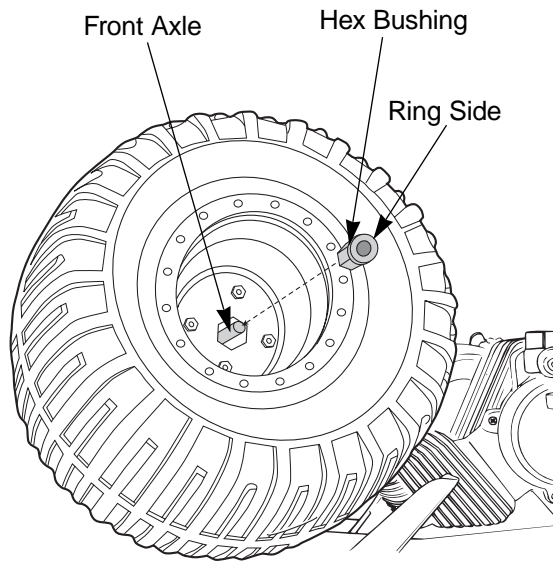
- Slide **three** $\frac{7}{16}$ " washers onto the **front** axle.
- Slide **two** axle spacers onto the front axle.
- Slide a hex bushing onto the front axle, ring side first.



- Fit a hubcap on the front axle and into the center of the front wheel.

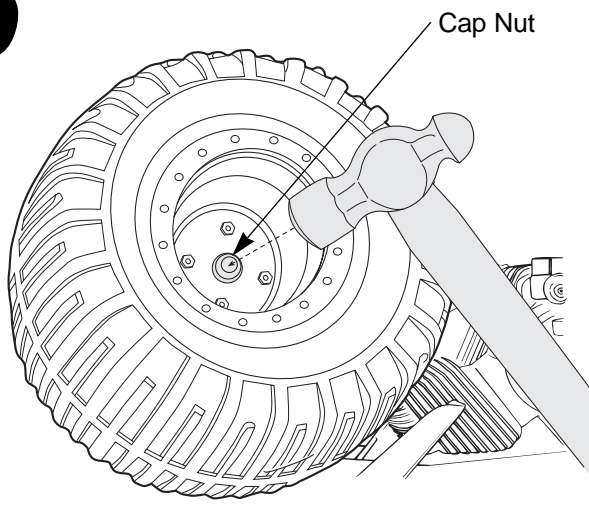
Assembly

9



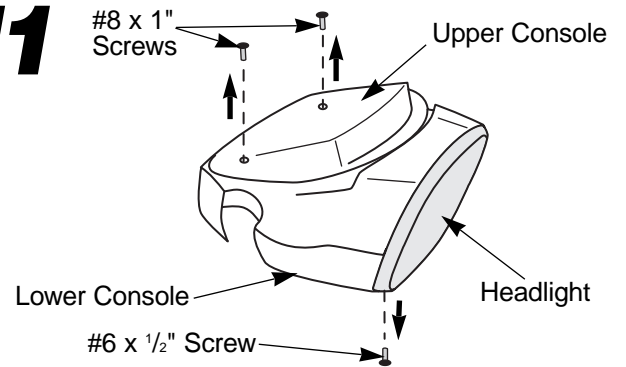
- Slide a hex bushing onto the front axle. The ring side of the hex bushing should face out.
- Press firmly to fit all but the ring on the end of the hex bushing into the front wheel.

10



- Fit a cap nut on the end of the front axle.
- Tap the cap nut with a hammer to secure it on the end of the front axle.
- Pull on the wheel to make sure the cap nut is securely fastened.
- Repeat this procedure to assemble the other front wheel to the other front axle.
- Set the vehicle body aside.

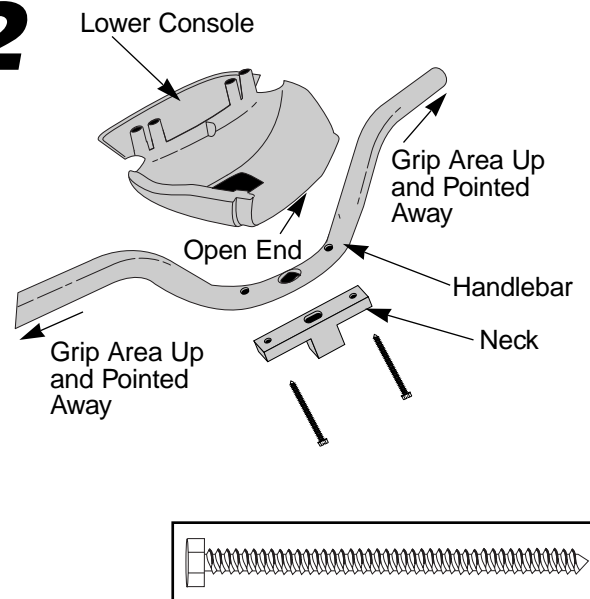
11



Note: For packaging reasons, the console/headlight has been pre-assembled at the factory. You will need to disassemble the console/headlight to assemble it to the handlebar.

- Loosen and remove the #6 x 1/2" screw in the headlight with a Phillips screwdriver. Remove the headlight by first pulling the bottom out slightly and then pushing the headlight up.
- Loosen and remove the two #8 x 1" screws in the upper console with a Phillips screwdriver.
- Set the screws, upper console, lower console and headlight aside for assembly steps 12-20.

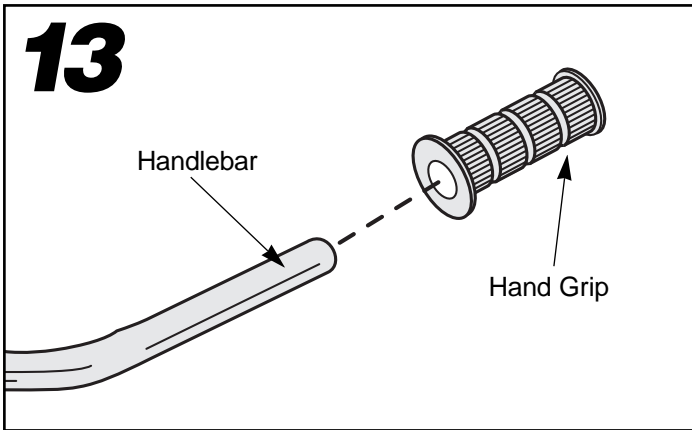
12



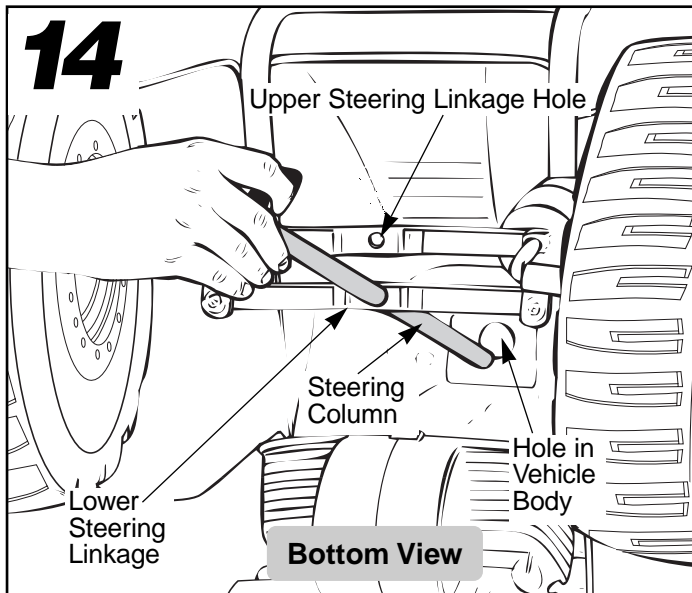
- Position the handlebar with the grip area up.
- Fit the neck against the bottom of the handlebar, with the holes in the handlebar and neck aligned.
- Position the handlebar so the grip area points away from you.
- While holding the neck to the handlebar, fit the lower console, with the open end toward you, onto the handlebar.
- Insert two 2" screws up through the neck, handlebar and into the lower console.
- Tighten each screw with a slotted screwdriver. Do not over-tighten.

11

Assembly



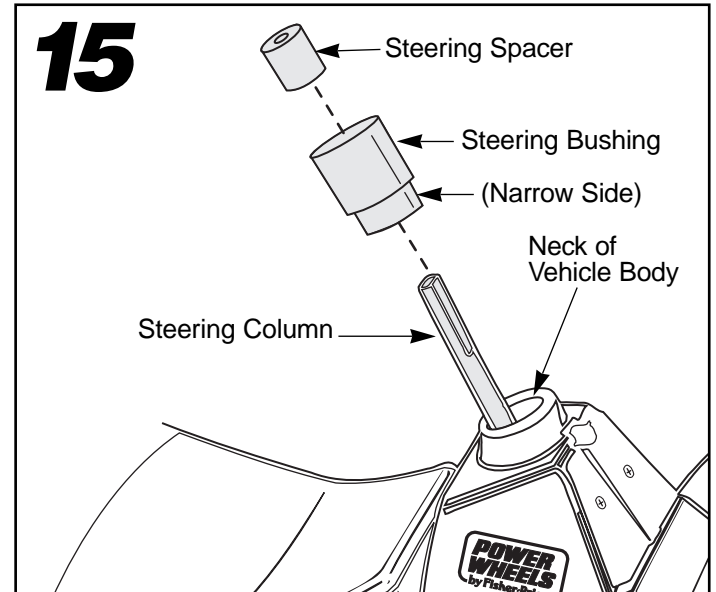
- Fit a hand grip onto each end of the handlebar. If it is difficult to slide the hand grips onto the handlebar, moisten the hand grips with warm water first.



- Wipe the steering column with a paper towel to remove excess lubricant.
- Slide the straight end of the steering column through the hole in the lower steering linkage and out through the hole in the vehicle body.
- Insert the curved end of the steering column into the hole in the upper steering linkage.

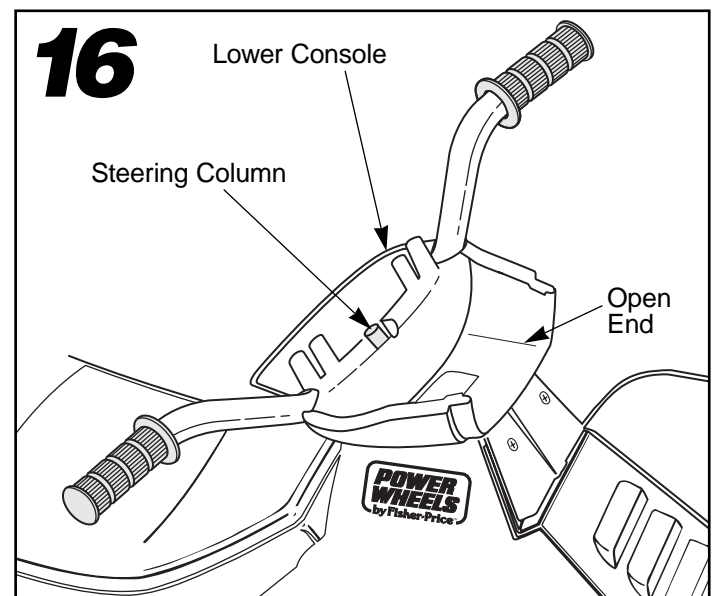
Helpful Hint: If it is difficult to complete this assembly step, you can reverse it. Slide the straight end of the steering column through the hole in the upper steering linkage and fit the curved end into the hole in the lower steering linkage.

- Position the vehicle body upright.



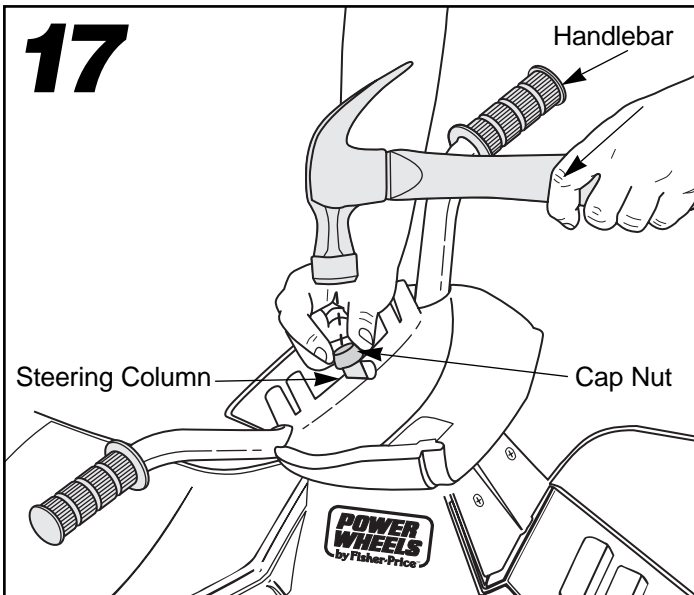
Helpful Hint: You may want the help of another adult to support the steering column near the steering linkage while assembling the handlebar to the vehicle body.

- Slide the steering bushing, narrow side down, onto the steering column and into the neck of the vehicle body.
- Slide a steering spacer onto the steering column and inside the steering bushing.

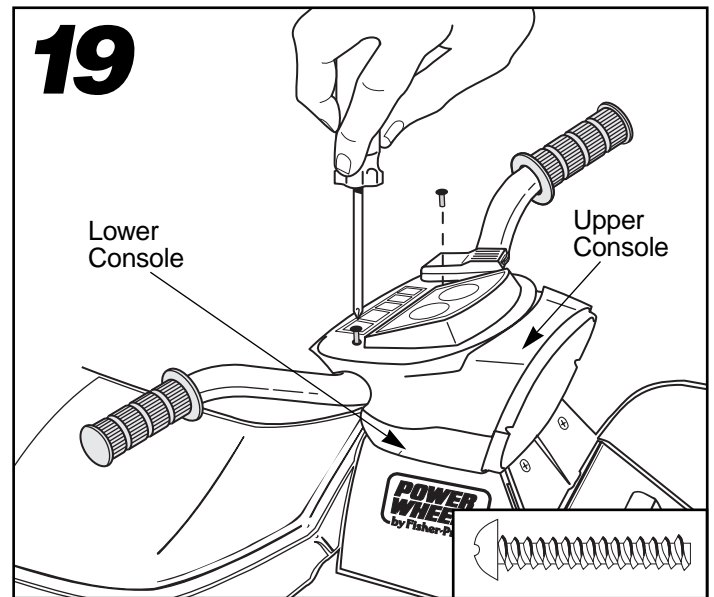


- Slide the handlebar assembly onto the steering column, with the open end of the lower console facing out.

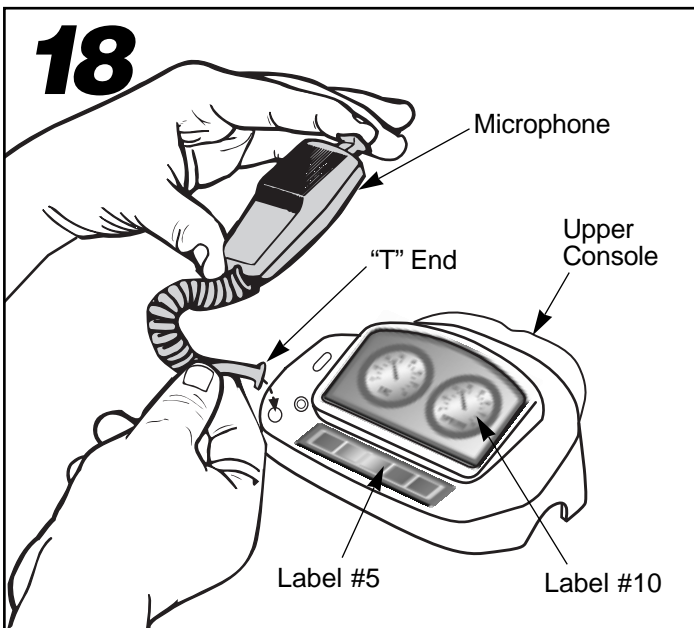
Assembly



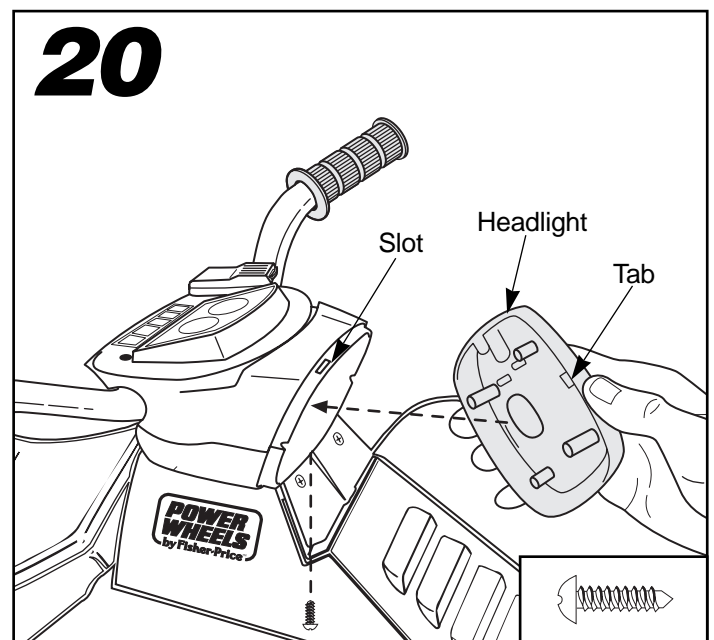
- Fit a cap nut on the end of the steering column.
- Tap the cap nut with a hammer to secure it on the end of the steering column.
- Pull up on the handlebar to make sure the assembly is secure.



- Fit the upper console over the handlebar and onto the lower console.
- Insert two #8 x 1" screws through the upper console and into the lower console.
- Tighten the screw with a Phillips screwdriver. Do not over-tighten.

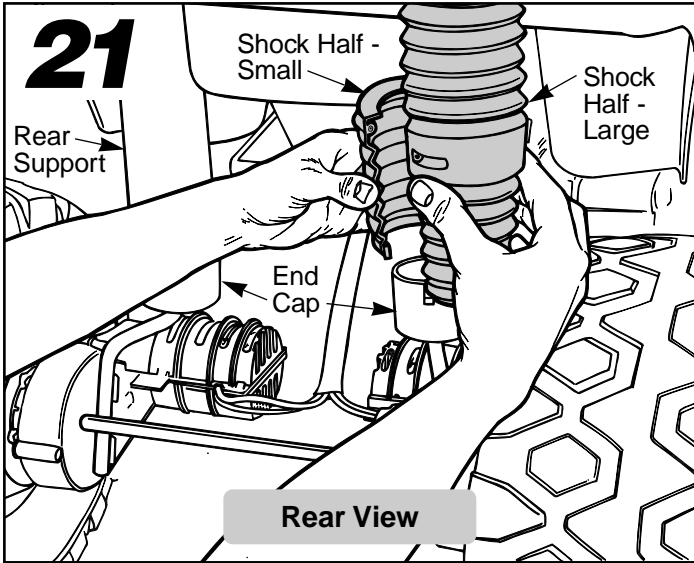


- Apply labels 5 and 10 to the console, as shown.
- Bend the plastic tip at the end of the microphone cord so that it forms a "T".
- Insert the plastic tip through the hole in the top side of the upper console.
- Turn the upper console over and pull gently on the microphone cord to make sure the "T" end of the cord is secure against the upper console.

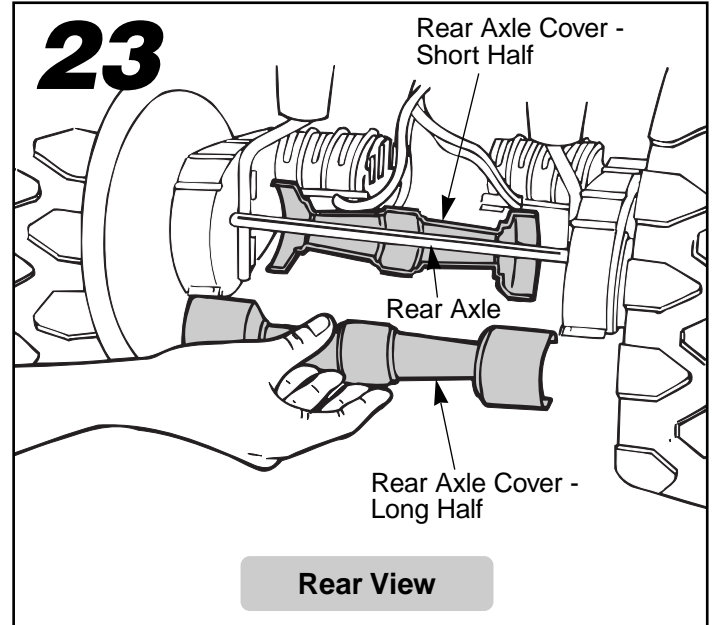


- Fit the tab on the headlight into the slot in the top of the upper console. Lower the headlight down into position.
- Insert a #6 x 1/2" screw through the bottom of the headlight and into the lower console.
- Tighten the screw with a Phillips screwdriver. Do not over-tighten.

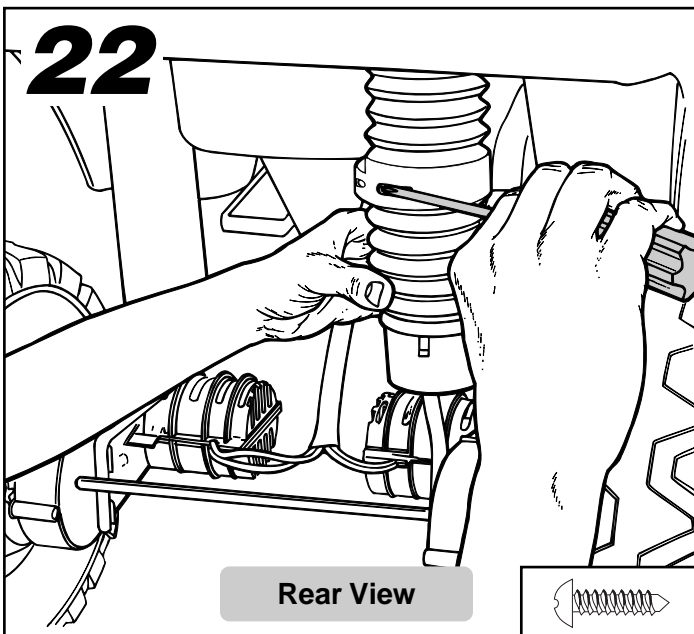
Assembly



- Fit the large half of one shock set against one of the rear supports. Make sure the end of the large shock half fits into the end cap at the bottom of the support.
- Fit the small half of the shock set against the other side of the rear support. Make sure the end of the small shock half also fits into the end cap at the bottom of the support.
- Make sure the screw holes in the two shock halves are aligned.

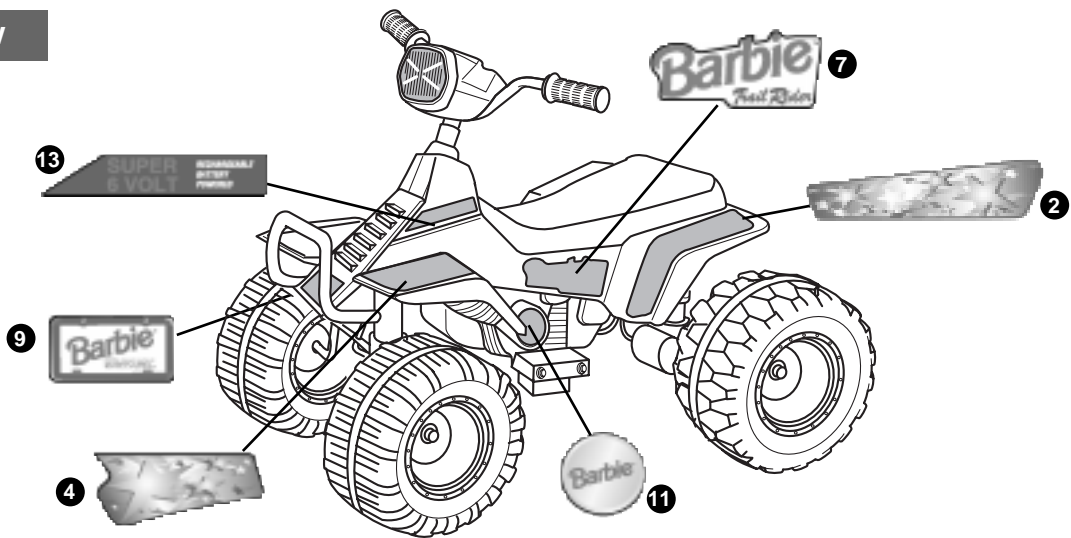


- Position the short half of the rear axle cover behind the rear axle and snap it onto the rear axle.
- Position the long half of the rear axle cover in front of the rear axle and snap it into place.

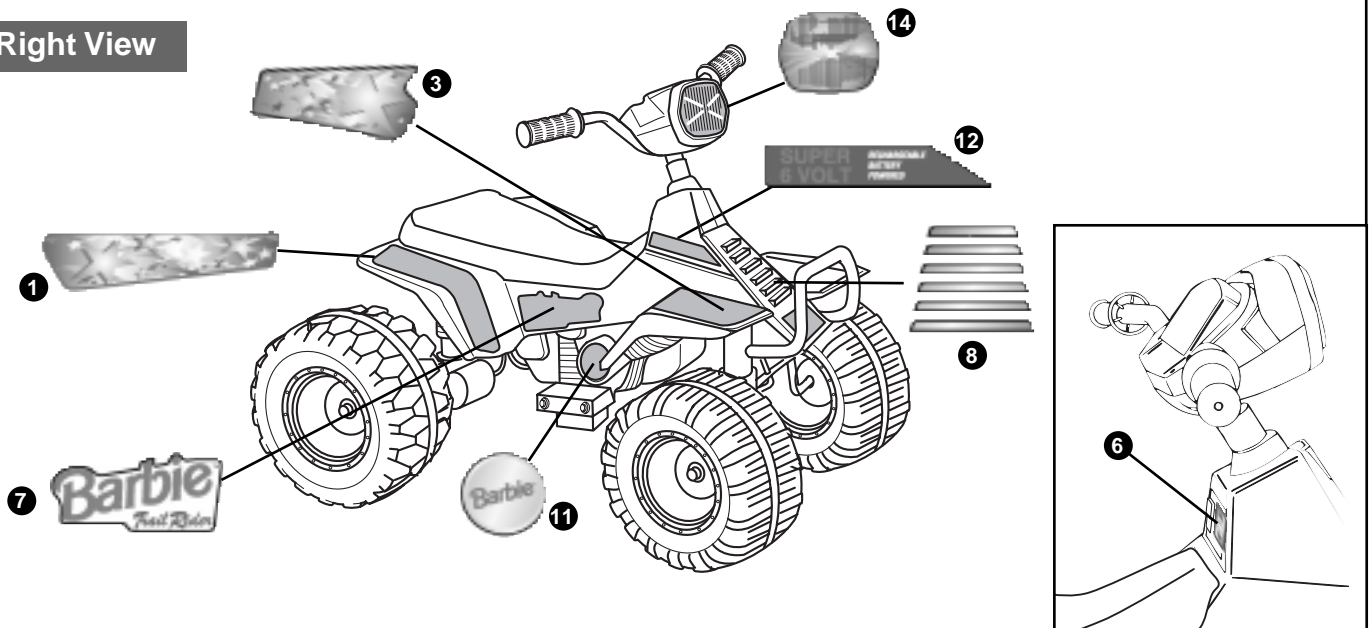


- Insert two #6 x 1/2" screws through the holes in the shock set halves.
- Tighten the screws with a Phillips screwdriver. Do not over-tighten.
- Repeat this procedure to assemble the other shock set to the other rear support.

Left View



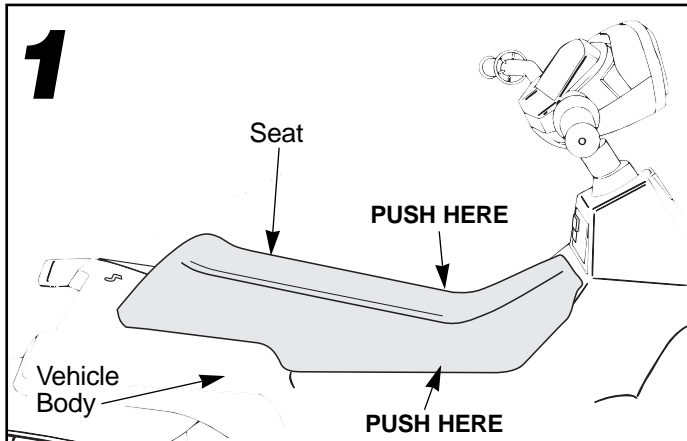
Right View



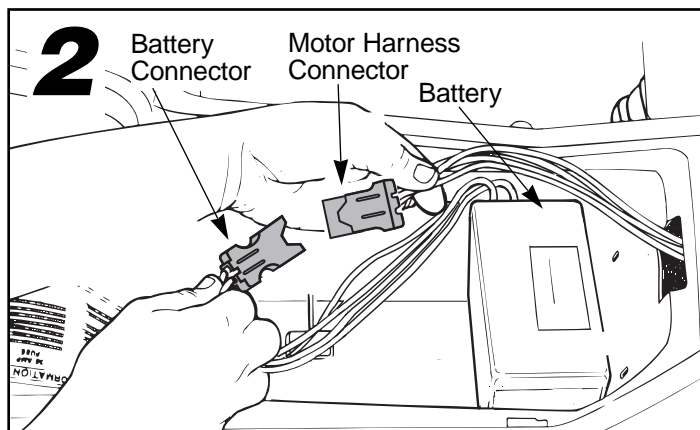
Proper label application will help to keep the labels looking their best! When applying labels, keep the following guidelines in mind:

- Wash your hands before applying the labels.
- Before applying the labels, wipe the surface of the vehicle with a clean, dry cloth to remove any dust or oils.
- Place the labels exactly as shown in the illustrations.
- For best results, avoid repositioning a label once it has been applied to the vehicle.
- **After applying a label, rub the label firmly with a clean, dry cloth to make sure the label is adhered to your vehicle. Start at the center of a label, and smooth towards the outer edges to remove air bubbles.**

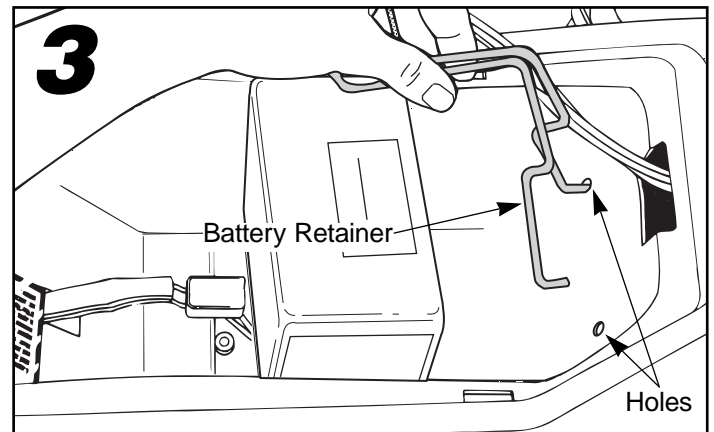
Important Note: Use only a Power Wheels® 6 volt battery with an A-style connector and built-in thermal fuse. Use of any other battery may damage your vehicle. Make sure that you charge the battery for at least 18 hours using the enclosed Power Wheels® Super 6™ Volt charger with A-style connector before operating your vehicle for the first time. Charge the battery for at least 14 hours after each use of the vehicle. Never charge the battery longer than 30 hours. Failure to follow these instructions may damage your battery and will void your warranty.



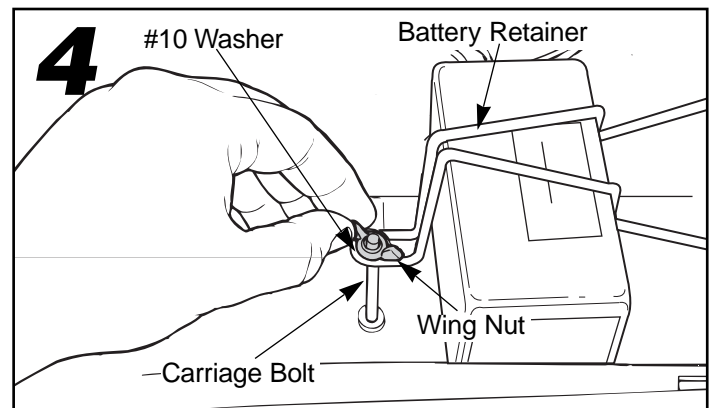
- Press in on each side of the seat (near each tab) and lift the front of the seat.
- Remove the seat.



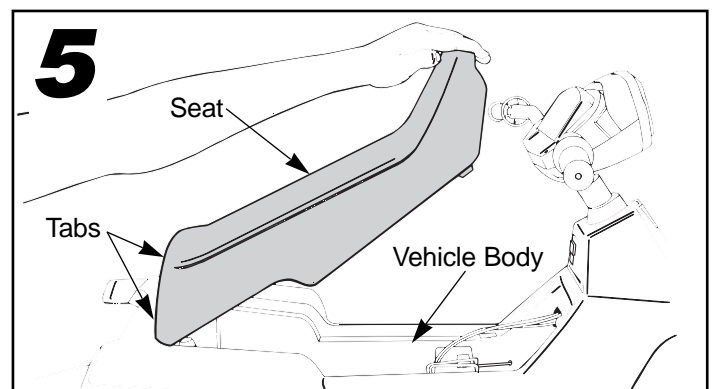
- Place the battery upright in the battery compartment.
- Plug the battery and motor harness connectors together. Push firmly to plug the two connectors together.



- Insert the ends of the battery retainer into the holes in the front of the battery compartment.



- Lower the battery retainer over the batteries.
- Fit the carriage bolt up through the hole in the underside of the vehicle body and through the end loop in the battery retainer.
- Fit the #10 washer onto the carriage bolt.
- Fit the wing nut onto the carriage bolt.
- Tighten the wing nut. Do not over-tighten.



- Fit the hooked tabs on the back of the seat into the slots in the back of the vehicle body.
- Press in on the sides of the seat and lower the seat to insert the tabs on each side of the seat into the vehicle body.

Care

If a battery leak develops, avoid contact with the leaking acid and place the damaged battery in a plastic bag. See information below for proper disposal.

If acid comes in contact with skin or eyes, flush with cool water for at least 15 minutes and call a physician.

If acid is internally ingested, give water, milk of magnesia or egg whites immediately. Never give emetics or induce vomiting. Call a physician.

- Charge a new battery for at least 18 hours before first use. Never charge the battery longer than 30 hours. Overcharging or undercharging the battery may shorten battery life and decrease vehicle running time.
- After the first charge, recharge the battery for at least 14 hours after each use. Never charge the battery longer than 30 hours. Charge the battery after each use, regardless of how long the vehicle was used.
- The battery must be upright while charging.
- Do not allow the battery to run down completely before charging.
- Charge the battery before storing the vehicle.
- Charge the battery at least once per month, even if the vehicle has not been used.
- Leaving the battery in a discharged condition will ruin it.
- Always remove an exhausted battery from the vehicle. Battery leakage and corrosion can damage your vehicle.
- Do not store the battery in temperatures above 75° F or below -10° F.
- Prevent the battery from moving freely inside the battery compartment. Always use the battery retainer to secure the battery in the battery compartment.
- Examine the battery, charger and their connectors for excessive wear or damage each time you charge the battery. If damage is detected, do not use the charger or the battery until you have replaced the worn or damaged part.

Disposal



- Your Power Wheels® battery is a sealed lead-acid battery. It must be recycled or disposed of in an environmentally sound manner.
- Do not dispose of the lead-acid battery in your regular, household trash. The incineration, landfilling or mixing of sealed lead-acid batteries with household trash is prohibited by law in most areas.
- Return the battery to a federal or state approved lead-acid battery recycler, such as a Power Wheels® Authorized Service Center or a local seller of automotive batteries. In Minnesota, call Power Wheels® Consumer Affairs at 1-800-348-0751 if further disposal information is required. Contact your local waste management officials for other information regarding the environmentally sound collection, recycling and disposal of lead-acid batteries.

⚠ WARNING

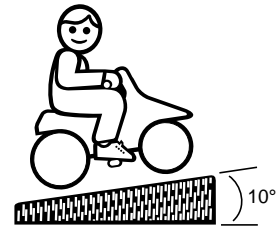
- Adult supervision is required. Children do not have the judgement necessary to avoid many accidents. Be sure that children operating this vehicle can do so safely and that they are supervised at all times.
- Never use near steps, driveways, steep inclines, roadways, alleys, swimming pool areas or other bodies of water.
- Always wear shoes or sneakers when operating this vehicle.
- Never allow more than one rider.
- The rider should sit on the seat when the vehicle is in operation.

Teach Safety Rules to Children

While children can quickly develop the skill necessary to drive this vehicle, it is important to remember that their judgment skills are still very immature. Unsupervised driving by children can lead to serious injury. Before children use this vehicle, an adult should carefully evaluate the driving area as well as the children's skill level and ability to drive this vehicle safely. Children are not always able to recognize or anticipate hazards, even when they have been taught about them. There is no acceptable substitute for adult supervision.

Teach appropriate safety rules to your child before allowing operation of this vehicle. These rules should also be reviewed with neighborhood children or other playmates who want to drive this vehicle.

1. Do not allow any child to drive the vehicle in the street or near moving (motorized) vehicles.
2. Do not allow any child to drive near bodies of water (such as pools or creeks), obstructions (such as furniture, low tree limbs or play equipment), or drop-offs (such as stairs or decks).
3. Do not allow any child to drive the vehicle in the dark. A child could encounter unexpected obstacles and have an accident. Operate the vehicle only in the daytime or in a well-lit area.
4. Teach your child to avoid driving on steep inclines or slopes. Restrict your child's driving to areas that are fairly level with gentle inclines or slopes of no more than 10°.
 - While driving down a steep slope, the vehicle may gain unsafe speed, even if the foot pedal is released to stop.
 - While driving across a steep slope, the vehicle may tilt and tip over. The wheels could lose traction, causing the vehicle to slip.
 - While driving up a steep incline, the motor may stop and the vehicle could roll backwards at an unsafe speed.



Incline should never be more than 10°

5. Do not operate this vehicle with more than one rider, seated on the seating area. A child who is not sitting on the seat or who is standing on the vehicle could fall off, cause a tip-over or block the driver's view. A child could be seriously injured.
6. Always wear shoes or sneakers when operating this vehicle.
7. Never put anything near any moving parts. Rotating parts such as motors, gear boxes and wheels can snag fingers, hair, etc., causing serious injury. Do not allow operation of the vehicle when it is on its side or in an upside down position.
8. Do not operate the vehicle near flammable vapors (gasoline, paint thinner, acetone, liquid wax, etc.). The vehicle's electrical switches, like most electrical switches, emit an internal spark when first turned on or turned off. The presence of flammable liquids or vapors could cause an explosion or a fire. Keep all flammable products in tightly sealed containers and away from the vehicle.
9. Do not allow a child to operate the vehicle without proper adult supervision. To prevent unsupervised use of the vehicle, disconnect the motor harness from the battery when the vehicle is not in use.

To disconnect the motor harness connector and battery connector:

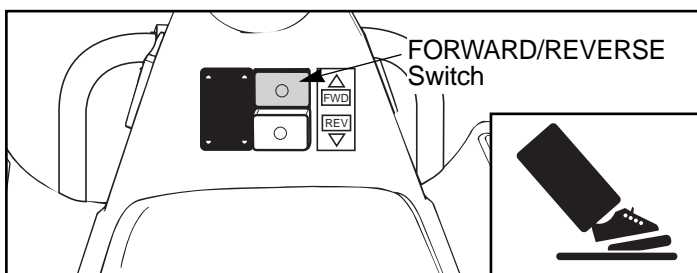
- Remove the seat.
- Unplug the motor harness connector from the battery connector.
- Re-assemble the seat.

IMPORTANT NOTE: Always remember to re-assemble the seat to prevent children from accessing the battery.

K

How to Operate Your Vehicle

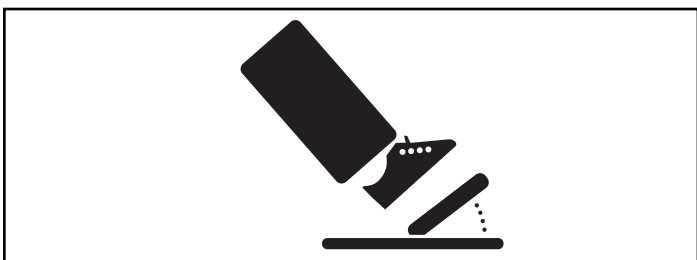
To Go Forward



As assembled, your vehicle is ready to roll (3½ mph, maximum).

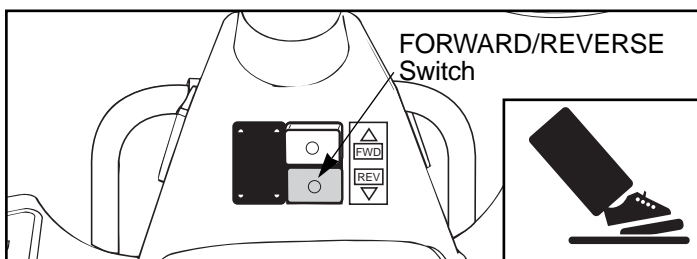
- Push the top button on the FORWARD/REVERSE switch to set the vehicle to drive forward.
- Push down on the foot pedal. The vehicle will drive forward.

To Stop



- Your vehicle has a patented braking system that automatically stops the vehicle when your child's foot is lifted from the pedal.

To Back Up



IMPORTANT NOTE: Always stop the vehicle before switching between FORWARD and REVERSE.

- Push the bottom button on the FORWARD/REVERSE switch to set the vehicle to drive in reverse.
- Push down on the foot pedal. The vehicle will back up at a maximum of 3½ mph.
- Help your child practice steering to learn how far and how quickly to turn the handlebar when driving in reverse.

L

Caring For Your Vehicle

- Check all nuts, bolts, screws, retainers and their protective coverings regularly and tighten as required. Check plastic parts on a regular basis for cracks or broken pieces.
- During snowy or rainy weather, the vehicle should be stored inside or under a protective cover. Remember to charge the battery at least once per month while your vehicle is not in regular use.
- Avoid operating the vehicle in wet or snowy conditions, and do not spray the vehicle with a hose. Do not wash the vehicle with soap and water. Water or moisture in the motors or electrical switches can cause them to corrode, and could cause switch or motor failure.
- Avoid operating the vehicle on sand, loose dirt or gravel. Sand, loose dirt or gravel in the motors or electrical switches can cause them to jam, and could cause switch or motor failure.
- The vehicle can be wiped down with a soft, dry cloth. For a shiny finish, you can wipe plastic parts with a non-wax furniture polish applied to a soft-cloth. Do not use automotive wax. Do not use soap and water or spray the vehicle with a hose.
- To ensure that your vehicle stays in good operating order, we recommend that you periodically have your vehicle checked by a Power Wheels® Authorized Service Center. See page 23 for the list of Authorized Service Centers or call **1-800-348-0751** for the location of the Authorized Service Center nearest you.

IMPORTANT! If you experience a problem with your vehicle, first check the Problems and Solutions Guide below. If you still experience a problem, please contact Power Wheels® Consumer Affairs, toll-free at **1-800-348-0751** between 8 AM and 5 PM (EST) Monday through Friday. Or, contact your local Power Wheels® Authorized Service Center. For the location nearest you, please refer to the Authorized Service Center list beginning on page 23.

Problem	Possible Cause	Solution
Vehicle does not run	Undercharged battery	Charge the battery. A new battery should have been charged for at least 18 hours before using the vehicle for the first time. After first-time use, recharge the battery for at least 14 hours after each use. Never charge the battery longer than 30 hours.
		Check all connectors. Make sure the battery connector is tightly plugged into the charger connector, and that the charger is plugged into the wall.
		Make sure power flow to the wall outlet is ON .
	Charger is not working	There is no sure way to tell if your charger is working unless you have a volt meter. If you suspect there is a problem with your charger, contact your local Power Wheels® Authorized Service Center. They can test your charger for you.
	Tripped thermal fuse	The thermal fuse may "trip" and shut down operation of the vehicle if the vehicle is overloaded or the driving conditions too severe. The fuse will automatically reset itself after approximately 25 seconds, allowing the vehicle to resume normal operation. To avoid repeated automatic shutdowns, do not overload the vehicle by exceeding the 65 lb. maximum weight capacity or by towing anything behind the vehicle. Avoid severe driving conditions, such as driving up very steep hills or running into fixed objects which can cause the wheels to stop spinning while power is still being supplied to the motors. If a thermal fuse continually trips, contact your local Power Wheels® authorized service center.
	Loose wire or loose connectors	Check all wires and connectors. Make sure the battery connector is tightly plugged into the motor harness connector, and that there are no loose wires around the motors.
	Dead battery	If your battery is old or if you have not followed Battery Care instructions, your battery may be dead. If you are unsure whether or not the battery is dead, you can have it tested at your local Power Wheels® Authorized Service Center. Always remove a dead battery from your vehicle.
	Electrical switch damage	The electrical switches can become corroded due to exposure to water or moisture, or can jam due to loose dirt, sand or gravel. Contact your local Power Wheels® Authorized Service Center for diagnosis and repair.
Motor damage	Contact your local Power Wheels® Authorized Service Center for diagnosis and repair.	

Problems and Solutions Guide

Problem	Possible Cause	Solution
Vehicle was running but suddenly stopped	Loose wire or loose connectors	Check all wires and connectors. Make sure the battery connector is tightly plugged into the motor harness connector, and that there are no loose wires around the motors.
	Tripped thermal fuse	The thermal fuse may "trip" and shut down operation of the vehicle if the vehicle is overloaded or the driving conditions too severe. The fuse will automatically reset itself after approximately 25 seconds, allowing the vehicle to resume normal operation. To avoid repeated automatic shutdowns, do not overload the vehicle by exceeding the 65 lb. maximum weight capacity or by towing anything behind the vehicle. Avoid severe driving conditions, such as driving up very steep hills or running into fixed objects which can cause the wheels to stop spinning while power is still being supplied to the motors. If a thermal fuse continually trips, contact your local Power Wheels® authorized service center.
Short run time (Less than 1 - 3 hours per charge)	Undercharged battery	Charge the battery. A new battery should have been charged for at least 18 hours before using the vehicle for the first time. After first-time use, recharge the battery for at least 14 hours after each use. Never charge the battery longer than 30 hours.
		Check all wires and connectors. Make sure the battery connector is tightly plugged into the charger connector, and that the charger is plugged into the wall.
		Make sure power flow to the wall outlet is ON .
	Overcharged battery	Do not charge the battery longer than 30 hours. If you suspect that your battery is damaged as a result of overcharging, contact your local Power Wheels® Authorized Service Center. They can test your battery for you.
	Battery is old and will not accept full charge	Even with proper care, a rechargeable battery does not last forever. Average battery life is 1 to 3 years depending on vehicle use and use conditions. For best performance, do not use substitute parts.
	Driving conditions are too stressful and/or vehicle is overloaded	Use only on gentle inclines or slopes of 10° or less. Do not allow more than one rider, exceed the 65 lbs. maximum weight capacity or tow objects behind the vehicle. Extreme temperatures can also affect run time. Recharge the battery and avoid extreme driving conditions.

Problems and Solutions Guide

Problem	Possible Cause	Solution	
Vehicle runs sluggishly	Undercharged battery	Charge the battery. A new battery should have been charged for at least 18 hours before using the vehicle for the first time. After first-time use, recharge the battery for at least 14 hours after each use. Never charge the battery longer than 30 hours.	
		Check all connectors. Make sure the battery connector is tightly plugged into the charger connector, and that the charger is plugged into the wall.	
		Make sure power flow to the wall outlet is ON .	
	Battery needs charging	After approximately 3 hours of constant use, the battery needs charging. Recharge the battery.	
	Battery is old and will not accept full charge	Even with proper care, rechargeable batteries do not last forever. Average battery life is 1 to 3 years depending on the vehicle use and use conditions. Replace the battery with a Power Wheels® 6 volt battery. For best performance, do not use substitute parts.	
Sometimes the vehicle doesn't run, but other times it does	Vehicle is overloaded and/or driving conditions are too stressful	Make sure you do not overload the vehicle by allowing more than one rider at one time, exceeding the 65 lbs. maximum weight capacity, or by towing objects behind the vehicle. Use only on gentle inclines or slopes 10° or less.	
	Loose wire or connector	Check all wires around the motors and all connectors to make sure they are tight.	
	Motor or electrical switch damage	Contact your local Power Wheels® Authorized Service Center for diagnosis and repair.	
	When the foot pedal is pressed, the vehicle won't run without a push	Loose wire or connector	Check all wires around the motors and all connectors to make sure they are tight.
		"Dead spot" on motor	Contact your local Power Wheels® Authorized Service Center for diagnosis and repair.
Vehicle constantly blows fuses	Child is switching between FORWARD and REVERSE without stopping.	Teach your child to stop the vehicle before switching between FORWARD and REVERSE.	
Loud clacking or grinding noise from a motor-gearbox	Broken gears	Contact your local Power Wheels® authorized service center for diagnosis and repair.	
Charger gets warm during use	It is normal for some chargers to get warm during use and is not reason for concern.	No action required. If your charger does not get warm during use, it does not mean that it is not working properly.	
Battery makes a sizzling or gurgling noise when charging	It is normal for some batteries to make noise and swell slightly while charging and is not reason for concern.	No action required. If your battery does not make noise or swell slightly during charging, it does not mean that it is not accepting the charge.	

If, after reviewing the Problems and Solutions Guide, the vehicle still fails to operate, please contact your nearest authorized service center (see page 23) or contact Power Wheels® Consumer Affairs toll-free at **1-800-348-0751**.

N

Bumper-to-Bumper* Limited Warranty

***One year limited warranty from the date of purchase on the Power Wheels® vehicle.**

Six month limited warranty on 6 volt battery.

For the original purchaser, this one year limited warranty covers the Power Wheels® ride-on vehicle (purchased from Power Wheels®) against defects in materials and workmanship. The six month limited warranty applies only to the 6 volt battery included by Power Wheels® with the original purchase of the vehicle.

This warranty covers normal use and does not cover the Power Wheels® vehicle or battery if it has been damaged by unreasonable use, neglect, accident, abuse, misuse, improper service or other causes not arising out of defects in materials or workmanship. Evidence of any attempt at consumer repair will void this warranty. This warranty does not cover, and is intended to exclude, any liability on the

part of Power Wheels®, whether under this warranty or implied by law, or any indirect or consequential damages for breach of warranty. Some states do not allow the exclusion or limitation, so this limitation may not apply to you.

Should you need service or assistance with your vehicle during the warranty period, **do not return the vehicle to the store.** Power Wheels® has provided a nationwide network of authorized service centers. Please refer to the list in this manual. Power Wheels® is continually expanding our Authorized Service Center Network. If there is not an authorized service center in your area, please call Consumer Affairs for information, **1-800-348-0751.**

This warranty gives you specific legal rights, and you may also have other rights which may vary from state to state.

Please save your original sales receipt.

O

Authorized Service Centers

We are continually expanding our Authorized Service Center Network. Please check this listing for the authorized service center nearest you. If there is not one in your area, please call Power Wheels® Consumer Affairs at 1-800-348-0751.

ALABAMA

BIRMINGHAM - Frigid Service & Sales, 701 Graymont Ave. North, 35203, (205) 323-5831
BIRMINGHAM - Frigid Service & Sales, 1861 Centerpoint Rd., 35215, (205) 853-3952
BIRMINGHAM (HOMEWOOD) - D & R Appliance Company, 154 West Valley Ave., 35209, (205) 942-3959
CULLMAN - Robert G. Werner Company, 1115 4th Street S.W., 35055, (205) 734-5673
DECATUR - Peddler II, 1000 B Beltline Road, 35603, (205) 350-1044
DOTHAN - Bill's Appliance Service, 208 Bic Road, P.O. Box 1192, 36303, (334) 792-7746
DOUGLAS - Brown Hardware, Highway 75, 35964, (205) 593-6086
HUNTSVILLE - C & G Appliance, 307 Jordan Lane, 35805, (205) 837-4551
MOBILE - Foster's Appliance Repair, 1660 South Beltline Highway, 36693, (334) 666-2670
MONTGOMERY - Acme Service Co., 2603 Highland Ave., 36107, (334) 264-2456
TUSCALOOSA (NORTHPORT) - Frigid Service & Sales, 2813 Lurleen B. Wallace Blvd., 35476, (205) 339-3624

ALASKA

ANCHORAGE - Ken's Electronics Service, 360 E. International, Ste. 8, 99518, (907) 562-3443

ARIZONA

GLENDALE - Elliott Electric Appliance Service, 6242 N. 43rd Avenue, 85301, (602) 937-2613
SCOTTSDALE - Elliott Electric, 7515 E. McDowell Road, 85257, (602) 946-7487

TUCSON - Arizona Small Appliance Service Co., 5033 E 5th Street, 85711, (520) 325-3988

ARKANSAS

FT. SMITH - Bromley Appliance Service, 614 North 10th Street, 72901, (501) 782-9646
HOT SPRINGS, The Battery Center, 400 Airport Road, 71913, (501) 624-7144
JONESBORO - Best Sewing & Vacuum & Repair, 2235 S. Caraway Road, 72401, (501) 935-4739, (800) 844-4739
LITTLE ROCK - C & W Tool Repair, 1303 W. Markham, 72201, (501) 374-1911
MENA - Bearcat Starter & Alt., 801 Petros, 71953, (501) 394-0320
ROGERS - Kressel's Vacuum & Repair, 115 North 5th Street, 72756, (501) 636-7894
STUTTGART - Davis Lumber Company, 301 East Michigan, 72160, (501) 673-3601

CALIFORNIA

ANDERSON - Hardware Express/ Do It Best, 2681 Balls Ferry Road, 96007, (916) 365-3783
BAKERSFIELD - Southwest TV, 6300 White Lane, Suite B, 93309, (805) 397-4940
CONCORD - California Electric Service Center, 1170-G Burnett Avenue, 94520, (510) 827-1011
COVINA - California Electric Service Center, 612 Shoppers Lane, 91723, (818) 915-4935
DUBLIN - California Electric Service, 8947 San Ramon Road, 94568, (510) 551-3390
FONTANA - California Electric Service Center, 9794 Sierra Avenue, 92335, (909) 355-2500
FORT JONES - Ft. Jones Frontier Hardware, 11911 Main Street, 96032, (916) 468-2266

FRESNO - Valley Small Appliance, 4005 E. Ashlan Avenue, 93726, (209) 224-5530

FULLERTON - California Electric Service Center, 1208 E. Ash Avenue, 92631-5020, (714) 870-0900
LOS ALAMITOS - California Electric Service Center, 11284 Los Alamitos Blvd., 90720, (562) 430-2668
MERCED - Moosehead Electronics, 920 W. 18th Street, 95340, (209) 723-4712
MISSION VIEJO - California Electric Service Center, 23725 Via Fabricante, Unit B, 92691, (714) 586-9440
OAKLAND - California Electric Service Center, 1139 E. 12th Street, 94606, (510) 834-1050
OXNARD - Tiny's Inc., The Clean-up Store, 1237 Saviers Road, 93033, (805) 487-9401, (800) 845-3223
PASADENA - California Electric Service Center, 2594 E. Colorado Blvd., 91107, (818) 792-3194
SACRAMENTO - California Electric Service Center, 1821 "Q" Street, 95814, (916) 443-5711
SALINAS - SRS Hobbies, 1038A North Davis Road, 93907, (408) 424-4044
SAN CARLOS - California Electric Service Center, 990 Industrial Road, Suite 102, 94070, (415) 593-6696
SAN DIEGO - California Electric Service Center, 3430 El Cajon Blvd., 92104, (619) 283-6488
SAN FRANCISCO - California Electric Service Center, 1090 Bryant Street, 94103, (415) 431-8494
SAN JOSE - California Electric Service Center, 481 So. Bascom, 95126, (408) 295-1723
SANTA ANA - California Electric Service Center, 2025 South Main Street, 92707, (714) 641-0529
SANTA ROSA - Hardisty's Inc., 710 Farmers Lane, 95405, (707) 545-0535

Authorized Service Centers

STOCKTON - California Electronics, 929 North Yosemite Street, 95203, (209) 466-5432

TEMECULA - California Electric Service Center, 41715 Enterprise Circle North, Suite 101, 92590, (909) 695-5445

VAN NUYS - California Electric Service Center, 14753 Oxnard Blvd., 91411, (818) 997-8855

WEST LOS ANGELES - California Electric Service Center, 2314 S. Westwood Blvd., 90064, (310) 475-2532

YUCAIPA - Aire-Rite Heating & A/C, 34724 Yucaipa Blvd., 92399, (909) 797-2788

COLORADO

COLORADO SPRINGS - Nelson Appliance Repair, Inc., 1220 E. Fillmore, 80907, (719) 635-1928, (800) 291-8010

DENVER - Appliance Service, 4262 Lowell Blvd., 80211, (303) 458-1109, (800) 631-0941 (CO, WY only)

DENVER (ENGLEWOOD) - Appliance Service, 3932 S. Broadway, 80110, (303) 781-1227, (800) 553-1864

GRAND JUNCTION - V & L Appliance Service, 809 North Avenue, 81501, (970) 243-3360

CONNECTICUT

HARTFORD - Hartford Element & Appliance Service, 1500 Albany Avenue, 06112, (860) 246-7424, (800) 787-7977

NEW HAVEN (HAMDEN) - New Haven Appliance Service Center, 1627 Dixwell Avenue, 06514, (203) 288-6229

SHELTON - Jeff's Appliance, Inc., 500A Howe Avenue, 06484, (203) 924-8997

STAMFORD - Appliance Servicercenter of Stamford, 15 Cedar Heights Road, 06905, (203) 322-7656

WATERBURY - P.J. Appliance Repair, 935 South Main Street, 06706, (203) 757-1014

DELAWARE

DOVER - Del-Mar Appliance of Delaware, 230 South Governors Avenue, 19904, (302) 674-2414, (800) 858-3424

WILMINGTON - Lyons Hardware, Inc., 2021 Kirkwood Highway, 19805, (302) 995-1260

FLORIDA

ATLANTIC BEACH - First Coast Repair, 25 Seminole Road, 32233, (904) 246-4616

CAPE CORAL - Family Hardware/Do-It Express, 622 SE 47th Terrace, 33904, (941) 542-6365

DELRAY - Mister Fix It, 209 S.E. 2nd Avenue, 33483, (561) 243-9999

GAINESVILLE - Authorized Appliance Service Co., 2614 S.W. 34th Street, 32608, (352) 375-3886

HIALEAH - S-O Service Co., 925 Hialeah Drive, 33010, (305) 887-6275

HOLLY HILL - Ormond Element, 1668 Ridgewood Avenue, 32117, (904) 677-3497

JACKSONVILLE - Authorized Appliance Service Co., 6120-5 Powers Avenue, 32217, (904) 737-5312

LAKELAND - Electric Shaver & Small Appliance, 4243 S. Florida Avenue, 33813, (941) 644-4690

MIAMI - Goodman's Sales & Service, 13081 SW 133 Court, 33186, (305) 278-8822

NORTH FORT MYERS - Family Hardware, 13817 N. Cleveland Ave., 33903, (941) 995-6161

NORTH PALM BEACH - Appliance Doctors, 450 Northlake Blvd., 33408, (407) 845-0377, FAX (407) 845-0378

OCALA, Vacuums, Inc., 3535 S.E. Maricamp Road, #103, 34471, (904) 694-2247

OCALA, Vacuums, Inc., 2461-A SW 27th Avenue, 34474, (352) 854-2247

ORLANDO - Pine Hills Appliance Svc. Co., 6100-4 W. Colonial Drive, 32808, (407) 299-1271

ORLANDO - Southern Electric Co., 510 N. Parramore Avenue, 32801, (407) 841-8824, (800) 940-8824

PANAMA CITY, Callaway Vacuum & Sewing, 221 N. Tyndall Prkwy., 32404, (904) 763-6333

PENSACOLA - Foster's Appliance Repair, 3836 N. Davis Highway, 32503, (904) 432-8853

POMPANO BEACH - Authorized Appliance Service Co., 2171 N. Dixie Highway, 33060, (954) 941-2038

POMPANO BEACH - Phillips Consumer Electronics, 2099 W. Atlantic Blvd., 33069, (954) 978-0467

PORT ST. LUCIE - Hoppe's Authorized Vac & Appliance, 6735 S. Federal Way, 34592, (561) 464-0102

ROCKLEDGE - Neelco Do-It Center, 400 Barton Blvd., 32955, (407) 639-1400

SARASOTA - Sunray Small Appliances, 8371 N. Tamiami, 34243, (941) 358-9999, (800) 895-5655

SEBRING - Sebring Do-It Center, 305 U.S. 27 North, 33870, (941) 385-2785

SPRING HILL - Crowder Bros Hardware, 5350 Spring Hill Dr., 34606, (904) 686-4743

ST. PETERSBURG - Keystone Electric, 4604 Central Avenue, 33711, (813) 321-1124

STUART - Appliance Doctors, 3166 S.E. Dixie Highway, 34997, (561) 287-6437

SUNRISE - Muller Appliance Service, 2620 N. University Drive, 33322, (954) 749-5460

TAMPA - Authorized Appliance Service Co., Dibbs Plaza, 4119 Gunn Hwy., Unit 8, 33624, (813) 968-6638

VENICE - Sunray South, 2143 South Tamiami Trail, 34293, (941) 493-1733

VERO BEACH - Hoppe's Authorized Vac & Appliance, 1872 Commerce Avenue, 32960, (561) 562-4466

WEST PALM BEACH - Satisfaction TV Video Service, Inc., 1980 S. Congress Avenue, 33406, (561) 439-3733

GEORGIA

ATLANTA - Georgia Service Center, 5366 Buford Hwy., 30340, (770) 455-1716, (800) 455-1715

ATLANTA (MARIETTA) - Phillips Consumer Electronics, 200 N. Cobb Parkway, Bldg. #100, Suite 120, 30062, (770) 795-0085

AUGUSTA - A & A Appliance Parts & Service, 1708 Walton Way, 30904, (706) 733-5163

BRUNSWICK - Arco Hardware & Supply, 3711 Community Road, 31520, (912) 267-0771

COLUMBUS - Burrell's National Appliance Service, 1728 Warm Springs Road, 31904, (706) 327-0523

LOGANVILLE - Mtn. Mower Sales and Service, 6099C Hwy. 20, 30249, (770) 466-9111

SAVANNAH - Hagins Appliance Service, 3 West Victory Drive, 31405, (912) 233-8372

TIFTON - Western Auto, 354 S. Main St., 31794, (912) 382-5767

VALDOSTA - Harry B. Anderson, Inc. Western Auto, 204 Central Avenue, 31601, (912) 242-5945

HAWAII

HONOLULU - McCully Bicycle & Sporting Goods, 932 Hausten Street, 96826, (808) 946-1192

WAILUKU (MAUI) - Tom's Appliance Sales & Service, 891 Eha Street, 96793, (808) 244-6278

WAIPAHU - Waipahu Bicycle, 94-320 Depot Street, 96797, (808) 671-4091

IDAHO

BOISE - Boise Appliance, 1503 Main Street, 83702, (208) 343-0102

ILLINOIS

CHAMPAIGN - Appliance Parts & Service Center, 905 Francois, 61821, (217) 355-0220

CHICAGO (BERWYN) - Brand Service Center, 6739 West Cermak, 60402, (708) 749-4315

CHICAGO (DOWNER'S GROVE) - Authorized Appliance Service Co., 1644 W. Ogden Avenue, 60515, (630) 852-1550

CHICAGO (MORTON GROVE) - Brand Service Center, Inc., 5618 Dempster Street, 60053, (847) 965-5900

JACKSONVILLE - Rexx Battery Specialists, 847 South Main Street, 62650, (217) 245-2713

NASHVILLE - Kesel Hardware, 173 West St. Louis, 62263, (618) 327-8957

NILES - Household Appliance Sales & Serv., 7411 N. Milwaukee Ave., 60714, (847) 647-8250

PEORIA - Brand Service Center, 6926-I North University Street, Tanglewood Center, 61614, (309) 691-7588

ROCKFORD - Sun Appliance Sales & Service, 3112 N. Rockton Avenue, 61103, (815) 964-3866

SPRINGFIELD - Bannon Electronics, 1224 N. Franklin, 62702, (217) 523-0313

WAUKEGAN - Brand Service Center, 2850 Belvidere Road, 60085, (847) 244-5800

INDIANA

EVANSVILLE - Electro Hygiene Co., 1614 South Kentucky, 47714, (812) 425-2671

FT. WAYNE - Don's Harware, 5701 Coventry Lane, in the Village of Coventry, 46804, (219) 436-2278

FT. WAYNE - Sun Appliance Service & Sales, 3523 N. Anthony Blvd., 46805, (219) 482-1702

INDIANAPOLIS - Brand Service Center, 1827 N. Meridian Street, 46202, (317) 924-1386

INDIANAPOLIS - Sullivan Hardware Do-It Center, 7021 N. Keystone, 46220, (317) 255-9230

MUNCIE - Joel's Appliance Service, 4405 N. Old State Road 3, 47303, (317) 286-2896

NEW ALBANY - Wells Hardware, Inc., 1011 Vincennes Street, 47150, (812) 944-4523

SOUTH BEND - Ray's TV and Appliance, 60717 US 31 South, 46614, (219) 291-1630

SOUTH BEND (OSCEOLA) - AAA Appliance Service Co., 11868 Lincoln Way West, 46561, (219) 679-4981

TERRE HAUTE - Corey Electronics, 1101 S. 8th Street, 47802, (812) 232-8786, (888) 232-8786

IOWA

BETTENDORF - K & K True Value Hardware, 1818 Grant Street, 52722, (319) 359-4473

CEDAR RAPIDS - Stalker Electric, Inc., 110 3rd Ave. SW, 52404, (319) 364-5646

DES MOINES - Quality Appliance Repair Center, 1417 Walnut Street, 50309, (515) 288-0108

DUBUQUE - Shaver's Plus, 1824 Central Avenue, 52001, (319) 556-4442

SIoux CITY - Millard Television Inc., 1419 Hamilton Blvd., 51103, (712) 258-3435

KANSAS

COLBY - Gavon's Electronics, 1870 South Range, 67701, (913) 462-6601

JUNCTION CITY - R/C Hobbies, 115 W. 7th Street, 66441, (913) 238-1877

KANSAS CITY (OVERLAND PARK) - Mar-Beck Appliance Service Co., 8471 West 95th Street, 66212, (913) 642-1557

WICHITA - Alan Appliance Service, Inc., 1300 E. Central, 67214, (316) 262-7228, (800) 290-7228

KENTUCKY

GREENEVILLE - Malone Lumber Do-It Center, 204 W. Depot Street, 42345, (502) 338-3252

LEXINGTON - Factory Electronics, 2422 Palumbo Drive, 40509, (606) 269-7341

LEXINGTON (VERSAILLES) - Deaver's Hardware, 221 N. Main St., 40383, (606) 873-7396

LOUISVILLE - Maury's Fluorescent & Appliance Service, 1521 Bardstown Road, 40205, (502) 456-1671

MADISONVILLE - Kuester's Hardware, N. Main St., Martin Mall, 42431, (502) 825-2818

MT. WASHINGTON - Mt. Washington Auto Supply, 520 N. Bardstown Rd, P.O. Box 316, 40047, (502) 538-4296

OWENSBORO - Kuester's Hardware, 1210 Carter Road, 42301, (502) 685-4916

PADUCAH - Hank Brothers True Value, 3101 Lone Oak Rd., 42003, (502) 554-4001

LOUISIANA

BATON ROUGE - Home Appliance Service, Inc., 10781 Florida Blvd., 70815, (504) 272-7727

HAMMOND - Battery Depot, 207 E. Thomas Street, 70401, (504) 542-4983

LAFAYETTE - Cullen's Playland, 4498 Johnston Street, 70503, (318) 981-2929

LAKE CHARLES - Capitol Schwinn Cyclery, 722 E. Prien Lake Road, 70605, (318) 474-9090

NEW ORLEANS (METAIRIE) - Le Jouet, Inc., 1700 Airline Hwy., 70001, (504) 837-0533

SHREVEPORT - Shreveport Shaver and Appliance, 9750 St. Vincent, Burt Kouns Ind. Loop, 71106, (318) 865-5088, (800) 349-7722

MAINE

BANGOR - Adco Surgical Supply Co., 1292 Hammond St., 04401, (207) 942-5273

GREENE - Brule's Auto Clinic & Sales, 968 Sawyer Road, 04236, (207) 375-4872

PORTLAND - Colonial Electronics, Inc., 259 St. John Street, 04102, (207) 774-6666

MARYLAND

BALTIMORE (ELLCOTT CITY) - Clark Do-It Center, 10325 Baltimore National Pk., 21042, (410) 313-8100

BALTIMORE (TOWSON) - Duran Service Company, 8741 Mylander Lane, 21286, (410) 321-9033

Authorized Service Centers

BERLIN - Myers Auto-Power Tool Rental Co., Inc., 10714 Ocean Gateway, 21811, (410) 641-3497

GAITHERSBURG - Waters Appliance Service, 216 E. Diamond Avenue, 20877, (301) 258-7500, (800) 225-5009

SALISBURY - Cycle and Sports Outlet, 2505 N. Salisbury Blvd., 21801, (410) 860-0400

TANEYTOWN - MacHenry Services, 68 Frederick Street, 21787, (410) 756-6659, (800) 276-1301

WASHINGTON D.C. (BELTSVILLE) - Philips Consumer Electronics, 10800 Rhode Island Avenue, 20705, (301) 595-5330, (800) 438-9647

MASSACHUSETTS

BOSTON (MEDFIELD) - Wills Hardware, 5 Janes Avenue, 02052, (508) 359-4381

BOSTON (WALTHAM) - Suburban Appliance Service Center, Inc., 271 Moody Street, 02154, (617) 893-6694

LOWELL - Lowell Appliance Service Center, Inc., 564 Dutton Street, 01854, (508) 454-8731

MAYNARD - Gramp's Garage, 16 Main Street, 01754, (508) 461-0463

QUINCY - Appliance Service and Parts, Inc., 582 Washington Street, Route 3A, 02169, (617) 773-6656

SALEM - Fix Master, Inc., 190 North Street, 01970, (508) 745-0004

SPRINGFIELD - Utility Electric Service, Inc., 810 Main Street, 01101, (413) 781-1635

MICHIGAN

ALMONT - Almont Hardware, 4545 Van Dyke, P.O. Box 511, 48003, (810) 798-8922

BAY CITY - Bay Vac & Pedal, 805 Columbus Ave., 48708, (517) 892-7516

BRIGHTON - Complete Battery Source, 8023 W. Grand River, 48116, (810) 220-1050

DEARBORN - McNichols Electric Service, 1836 Grindley Park, 48124, (313) 563-7550

DETROIT - McNichols Electric Service, 13725 W. McNichols, 48235, (313) 342-6070, (800) 562-4226

DETROIT (ROYAL OAK) - McNichols Electric Service, 4115 West 13 Mile Road, 48072, (810) 288-5135

FLINT (DAVISON) - Gill-Roy's Hardware, 8405 East Davison, 48423, (810) 653-2288

FLINT (SWARTZ CREEK) - Gill-Roy's Hardware, 9061 Miller Road, 48473, (810) 635-2020

GRAND RAPIDS - Superior Appliance Service Co., 1050 Scribner Avenue, NW, 49504, (616) 459-3271

JACKSON - Hammond Hardware, 1800 Francis St., P.O. Box 7, 49204, (517) 782-0704

KALAMAZOO - Bill Coleman TV, 3938 S. Westnedge, 49008, (616) 344-1200

LANSING - Rapid Appliance Service, Inc., 1454 E. Michigan Avenue, 48912, (517) 485-1320

MIDLAND - Knopic's Do-It Center, 3128 Jefferson Ave., 48640, (517) 832-2774

PRUDENVILLE - Ford's Do-It Center, 841 W. Houghton Lake Drive, 48651, (517) 366-7622

TRAVERSE CITY - De Weese Hardware Inc., 1029 Carver Street, 49685, (616) 947-7670

MINNESOTA

BRAINERD - Diggz Motor Sports, 4299 Hwy. 371 North, 56401, (218) 828-8088

DULUTH - All Brand Mr. Fixit, 16 West First Street, 55802, (218)-722-1499

DULUTH - Mr. Fix it - Metro Appl. Service Center, Inc., 2020 W. Superior St., 55806, (218) 722-9063

MINNEAPOLIS (ST. LOUIS PARK) - Barness, 4631 Excelsior Blvd., 55416, (612) 926-0521

ROCHESTER - Robert's Electronics, 611 6th Ave. NW, 55901, (507) 282-2140

ST. PAUL - Barness, 1573 University Avenue, 55104, (612) 646-3109

MISSISSIPPI

HATTIESBURG - Champion Cycle & Fitness, 2625 Lincoln Road, 39402, (601) 264-8233, (800) 273-4158

IUKA - W. H. Fairless Hardware Co., Inc., 117 Fulton Street, 38852, (601) 423-2233, (800) 797-9457

JACKSON (RIDGELAND) - Propeller Service, 291 Hwy. 51, Suite D6, 39157, (601) 856-3191

MERIDIAN - Broadmoor Home Center, 2420 Old North Hills Street, P.O. Box 3280, 39305, (601) 483-7373

NATCHEZ - Western Auto, 180 Seargent Prentiss Dr., 39120, (601) 445-4186

STARKVILLE - East Mississippi Lumber Co., 300 Russell Street, 39759, (601) 323-5554

MISSOURI

INDEPENDENCE - Mar-Beck Appliance Service Co., 4476 South Noland Road, 64055, (816) 478-1889

KANSAS CITY - Mar-Beck Appliance Service Co., 303 W. 79th Street, 64114, (816) 523-6931

KANSAS CITY (GLADSTONE) - Mar-Beck Appliance Serv. Co., 6559 N. Oak Traffic Way, 64118, (816) 436-9191

POPLAR BLUFF - Mills Iron & Supply, 1919 S. Westwood Blvd., 63901, (573) 785-2628

SPRINGFIELD - Mar-Beck Appliance Service Co., 2704 S. Glenstone Avenue, 65804, (417) 882-3070

ST. LOUIS - Authorized Appliance, Inc., 2355 Hampton Avenue, 63139, (314) 647-4250

ST. LOUIS - Brand Service Center, Inc., 1624 S. Broadway, 63104, (314) 231-0751

MONTANA

BILLINGS - Radio Equipment Company, 1120 16th Street West, 59104, (406) 256-9778

NEBRASKA

GRAND ISLAND - Mundt's Small Appliance & Vacuum Repair, 1822 W. Northfront Street, 68803, (308) 382-5084

LINCOLN - CB Small Appliance, 432 South 11th Street, 68508, (402) 475-2546

LINCOLN - Sperry TV, 1115 North 47th St., 68503, (402) 464-9181

LINCOLN - Sperry TV, 2013 Highway 2, 68502, (402) 464-9181

NORTH PLATTE - Sperry TV, 1855 West A Street, Westfield Shopping Center, 69010, (308) 532-5200

OMAHA - Myers Electric Co., 7571 Dodge Street, 68114, (402) 393-8388, (800) 234-1414

OMAHA - Myers Electric Co., Inc., 1458 South 16th Street, 68108, (402) 342-7710

NEVADA

LAS VEGAS - Burney's Commercial Service, Inc., 4480 Aldebaran Avenue, 89103, (702) 736-0006

MINDEN - Valley Home & Sport Center, 1587 Highway 395, 89423, (702) 782-5111

NEW JERSEY

EAST RUTHERFORD - Philips Consumer Electronics, 180 Manor Road, 07073, (201) 935-0600

HAWTHORNE - Ter Kuile, Inc., 206 Diamond Bridge Avenue, 07506, (201) 423-1142

HIGHLAND PARK - Dash Electronics, 10 N. 2nd Street, 08904, (908) 247-5124

HOWELL - South Jersey TV Service, Inc., 4232 Rt. 9 South, 07731, (908) 363-5550, (800) 244-3094

OCEAN - South Jersey TV Service, Inc., 1719 Route 35, 07712, (908) 531-3565

SICKLERVILLE - Sickler Hardware, 540 Williamstown Road, 08081, (609) 728-3800

TOMS RIVER - South Jersey TV Service, Inc., Stella Towne Center, 1258 Route 166, 08753, (908) 505-1771

TOTOWA - Philips Consumer Electronics, 140 J Commerce Way, 07512, (201) 890-0586

TRENTON - Tattersall, Inc., 309 N. Willow Street, 08618, (609) 393-4293

NEW MEXICO

ALBUQUERQUE - Appliance Service Center, 5505 Silver Avenue, SE, 87108, (505) 265-7774

CLOVIS - Burns Hardware, 1511 N. Prince, 88101, (505) 769-2528

NEW YORK

BAYSHORE, L.I. - Turnpike Appliance of Suffolk, Inc., 1253 Sunrise Highway, 11706, (516) 665-8311

BINGHAMTON - Hardware Fare DO-IT Center, 1139 Front Street, Hammondsburg Square, 13905, (607) 722-9202

BUFFALO - Buffalo Appliance Repair Center, Inc., 20 Pannell Street, 14214, (716) 833-4677

BUFFALO (WILLIAMSVILLE) - Hector's Hardware, 876 Maple Road, 14221, (716) 688-4488

COMMACK, L.I. - Turnpike Appliance Service, 6181 Jericho Turnpike, 11725, (516) 499-3355

ELMIRA - Capabilities, Inc., 1149 Sullivan Street, 14901, (607) 734-2006

GREAT NECK - Turnpike Appliance Service Center, 45 Northern Boulevard, 11021, (516) 466-0644

HUDSON - Sweeps Vacuum & Repair Center, Inc., 705 Warren Street, 12534, (518) 828-5457

PEEKSKILL - Clark Appliance & Vacuum Service Corp., 950 Main Street, 10566, (914) 737-1368, (800) 765-0649

POUGHKEEPSIE - S & S Appliance Sales & Service, 390 Violet Avenue, 12601, (914) 452-6122

RICHMOND HILL - Lockdoctor Locksmiths, 104-37 Atlantic Ave., 11418 (718) 441-6242

ROCHESTER - Benfante Appliance Service, 1286 Mt. Hope Avenue, 14620, (716) 473-8765

SEA CLIFF, L.I. - Shabra Electronics, 400 Glen Cove Avenue, 11579, (516) 671-2218

STATEN ISLAND - Springstead Lumber 6232, 4255 Amboy Road, 10308, (718) 984-0300

SYRACUSE - County Wide Appliance, 1001 N. State Street, 13208, (315) 479-5253, (800) 333-3243

TUCKAHOE - Authorized Appliance of Westchester, 26 Columbus Ave., 10707, (914) 961-8011

UTICA - Oneida Bicycle & Sports Center, 2107 Whitesboro St., 13502, (315) 724-6084

WARWICK - Wadeson Home Center, 60 Forester Avenue, 10990, (914) 986-2215, (800) 982-2215 (NY only)

W. HEMPSTEAD L.I. - Turnpike Appliance Service, 86 Hempstead Turnpike, 11552, (516) 486-5700, (800) 628-3911

NORTH CAROLINA

ASHEVILLE - Skyland Hardware, 3179 Sweeten Creek Road, 28803, (704) 684-0308

CHARLOTTE - Authorized Appliance Servicer, 1020 Tuckaseegee Road, 28208, (704) 377-4501, (800) 532-6127

CLINTON - Danny's Service Center, 119 Vance Street, 28328, (910) 592-3200

ELIZABETH CITY - Coastal Office Equipment Co., 501 East Church Street, 27909, (919) 335-2927

GREENSBORO - Greensboro Shaver & Appliance, 430 North Eugene Street, 27401, (910) 273-1065

HICKORY - First Flight Bicycles, 2435 N. Center Street, 28601, (704) 324-9350

RALEIGH - Authorized Appliance Service Center, 800 North Person Street, 27604, (919) 834-3476

STATESVILLE - First Flight Bicycles, 216 S. Center St., 28677, (704) 878-9683

WILMINGTON - American Tool & Tractor, 102 Eastwood Road, Ste. D-9, 28403, (910) 392-5784

WINSTON-SALEM - Authorized Appliance Servicer, 904 South Marshall Street, 27117, (910) 725-5396

NORTH DAKOTA

FARGO - General Parts & Supply Co., 10 S. 18th Street, 58103, (701) 235-4161, (800) 279-9987

OHIO

AKRON - Advanced Appliance Service Company, 73 W. Exchange Street, 44308, (330) 762-8968

CANTON - Appliance Parts Co., 1267 Dueber Avenue, SW, 44706, (330) 453-8077

CINCINNATI - H&S Service, 458 Cincinnati Batavia Pike, 45244, (513) 528-0808 (800) 344-4210

CINCINNATI (SILVERTON) - Brand Service Center, Inc., 6944 Plainfield Road, 45236, (513) 793-1170

CLEVELAND - Majors Appliance, 5845 Turney Road, 44125, (216) 663-4650

CLEVELAND (MENTOR) - Lake Erie Lawn & Garden, 7833 Munson Rd., 44060, (216) 257-9000

CLEVELAND (PARMA) - Majors Appliance, 5785 Ridge Road, 44129, (216) 884-7200

CLEVELAND (WESTLAKE) - Philips Consumer Electronics, 24090 Detroit Avenue, 44145, (216) 899-2040, (800) 331-7037

COLUMBUS - Philips Consumer Electronics, 6333 Busch Blvd., 43229, (614) 781-2605

DAYTON - Layer Electric, 603 South Ludlow Street, 45402, (937) 224-9608

DAYTON (NEW CARLISLE) - Ballweg Do-It Center, 3300 South Dayton, Lakeview Rd., 45344, (937) 849-1306

Authorized Service Centers

LIMA - Crouse Lumber Do-It Center, 333 E. Market Street, 45801, (419) 229-9070, (800) 826-9663

NEW BOSTON - True Value Toy Town, Rt. 52 & 139, 45662, (864) 456-5704

STRYKER - Short's Hardware, 115 N. Depot Street, 43557, (419) 682-4231

TOLEDO - Broadway Sales and Appliance Repair, 1621 Broadway, 43609, (419) 241-9731, (800) 436-5415

YOUNGSTOWN - O'Connor's, 3224 Market Street, 44507, (330) 782-4705

OKLAHOMA

OKLAHOMA CITY - Brand Service Center, 538 N. Pennsylvania Avenue, 73107, (405) 235-0583

TULSA - H.L. Moss, Inc., 1714 E. 15th Street, 74104, (918) 744-1305, (800) 248-5948

PENNSYLVANIA

ALTOONA - Frye's Sweeper & Sewing Center, Inc., 1400 Valley View Boulevard, 16602, (814) 943-5001, (800) 640-1308

HARRISBURG - C.A. Juillard, Inc., 2301 North Seventh Street, 17110, (717) 233-3488, (800) 633-3488

JOHNSTOWN - Cambria True Value Hardware, West Hills Square, Goucher Street, 15905, (814) 255-4752

KINGSTON - Vac-Way Appliance & Service, 595 Market Street, 18704, (717) 288-4508

LITTLESTOWN - Machinery Services, 830 West King Street, 17340, (717) 359-5051

MOSCOW - Vac-Way Appliance & Service, RR #6 Box 6237, 18444, (717) 842-4668

ORANGEVILLE - Hess Do-It Center & Market, Route 487, Box 4 M, 17859, (717) 683-5162

PHILADELPHIA - Appliance Care/Service Corp., 6407 Rising Sun Ave., 19111, (215) 725-3112

PHILADELPHIA (COLLINGDALE) - J.F. Kenney Electric, 920 MacDade Boulevard, 19023, (610) 534-7373

PITTSBURGH - Ferry Electric Service Co., 7498 McKnight Road, 15237, (412) 364-3403

PITTSBURGH - Ferry Electric Service Co., 140 Clairton Blvd., 15236, (412) 653-6004

READING - Electric Repair Co., 502-504 North 9th Street, 19604, (610) 376-5444, (800) 422-8171 (PA only)

SCRANTON - Vac-Way Appliance and Service, 601 Cedar Avenue, 18505, (717) 343-1121

SHAMOKIN DAM - Willard Battery Outlet, 138 S. Old Trail, 17876, (717) 743-5383

TROY - Hoover Hardware, 9 Canton, 16947, (800) 251-2156, (717) 297-3445

WASHINGTON - Murphy Family Inc., 585 East National Pike, 15301, (412) 225-0324

WILKES-BARRE - Walter Hardware DO-IT Center, 57 N. Welles Street, 18702, (717) 823-1406

YORK - Parcel Plus, 2549 E. Market Street, York Market Place, 17402, (717) 757-1875

PUERTO RICO

GATINEAU - Les Equipements Brabant & Fils, 776B Blvd. Maloney, J8P 1G6, (819) 663-2526

HATILLO - Tropical Parts Service, P.O. Box 1335, Road 130 KM 8.5, 00659, (787) 898-6474

MAYAGUEZ - Cardona Appliance Service, 8 San Vicente Street, 00680, (787) 832-8366

MAYAGUEZ - Melendez Home Appliance Repair, Calle Post 319 Sur, 00680, (787) 832-5225

PONCE - Ferreteria Vivian, Centro Comercial, Los Caobos #7, 00731, (787) 840-0677

PUERTO NUEVO - Buckeye Service, 1013 Jesus T. Pinero Avenue, 00920, (787) 782-6175

RHODE ISLAND

PROVIDENCE - Marshall Electric Co., 200 Broad Street, 02903, (401) 331-4482

SOUTH CAROLINA

CHARLESTON HEIGHTS - Dorchester Electric Service, 3575 Dorchester Avenue, 29405, (803) 747-5221

COLUMBIA - Authorized Appliance Servicenter, 1811 Taylor Street, 29202, (803) 254-8414

DARLINGTON - Hobbies and More, 1570 South Main Street, 29532, (803) 393-0355, FAX (803) 393-8171

GREENWOOD - Bikes & Boards & Mopeds, 203A Montague Avenue, 29646, (864) 229-2453

SENECA - Seneca Micronics, 110 East North First, 29678, (864) 882-6593

SPARTANBURG - Boiling Springs Hardware, 3124 Boiling Springs Rd, 29303, (864) 578-1852

VARNVILLE - P&S Small Engine & Variety Shop, 105 Carolina Avenue, West, 29944, (864) 943-9141

TENNESSEE

CHATTANOOGA - Light Electric, 732 East 11th Street, 37403, (615) 267-9224

KNOXVILLE - Appliance & Electric Service Company, 4816-M Kingston Pike, 37919, (423) 588-5395, (800) 585-5395

KNOXVILLE - Authorized Appliance Service Center, 1206 North Central Street, 37917, (423) 524-3376

MEMPHIS - Camp Electric Co., 647 Madison Avenue, 38103, (901) 527-7543, (800) 238-7345

NASHVILLE - Webb's Appliance Service Center, Inc., 1519 Church Street, 37203, (615) 329-4079, (800) 899-4079

TEXAS

ABILENE - Metro Small Appliance Service Co., 141 S. Clyde, 79605, (915) 672-1853

AMARILLO - Reid's Appliance Service, Inc., 906 Georgia, 79102, (806) 373-8812

ANTHONY - Villarreal & Sons Elec., 512 S. Third Street, 79821, (915) 886-3362

AUSTIN - Harrell Supply and Service, Inc., 5435 Burnet Road, 78756, (512) 451-6464, (800) 332-7250 (TX only)

AUSTIN - Harrell Supply and Service, Inc., 1409 West Oltorf, 78704, (512) 442-5966

AUSTIN (ROUND ROCK) - Harrell Supply, 907c Interstate Highway 35, 78664, (512) 388-0866

CORPUS CHRISTI - Brand Appliance & Microwave, 2751 South Staples, 78404, (512) 854-1851

DALLAS - Pearsol Appliance Co., 3127 Main Street, 75226, (214) 939-0930

DALLAS - All Type Sales and Service Co., Inc., 2835 Irving Blvd., 75207, (214) 638-1170, (800) 717-1170

FT. WORTH - Ft. Worth Shaver and Appliance Center, 1012 West 7th Street, 76102, (817) 335-9970

HOUSTON - Brand Service Center, 5727 Richmond Avenue, 77057, (713) 782-8910

HOUSTON - Brand Service Center, 1970 FM 1960, 77090, (713) 537-7795

LAUREDO - Rubio Electric, 1719 San Bernardo, 78040, (210) 722-3908

LONGVIEW - Toys and Things, 918 NW Loop 281, 75604, (903) 759-3939

LUBBOCK - Minter's, 4409 50th Street, 79414, (806) 799-3170

LUFKIN - STS Audio and Video, 1505 South First Street, 75901, (409) 639-4529

MC ALLEN - All-In-One Repair Shop, 2313 Lark Avenue, 78504, (210) 682-8858

MIDLAND - Midland Tool Specialty, 918 South Main, 79701, (915) 682-4647, (800) 499-0755

PASADENA - Larry's TV Service, 3520 Fairmont Parkway, 77504, (713) 998-0122, (800) 244-0281

ROMA - True Value Hardware, 1004 E. Highway 83, (210) 849-1322

SAN ANTONIO - Brand Service Center, 7065 San Pedro Avenue, 78216, (210) 344-8577

SEYMOUR - Western Auto, 211 N. Main Street, 76308, (817) 888-3980

TEMPLE - Master Tech Repairs, 2819 West Avenue North, 76504, (817) 773-8991

VICTORIA - Tom's Video Service, 211 East Anaqua, 77901, (512) 576-0664, (800) 433-0664

WICHITA FALLS - Burke's Appliance Service, 2410 10th Street, 76309, (817) 723-6211

UTAH

OREM - The Mending Shed, 1735 South State Street, 84058, (801) 225-8012, (800) 339-9297

SALT LAKE CITY - Appliance Service Center, Inc., 210 East 6th South, 84111, (801) 328-9703

VERMONT

RUTLAND - Appliance Service Center Ltd., 152 Woodstock Avenue, 05701, (802) 773-8917

VIRGINIA

FREDERICKSBURG - Logan Electric Service, Inc., 98 Industrial Drive, 22408, (540) 898-8873

HARRISONBURG (PENN LAIRD) - J.L. Maintenance & Repair, Inc., Route 2, Box 308, 22846, (540) 289-9844

NEWPORT NEWS - Commonwealth Electric Shaver Sales & Service, Inc., 10105 Jefferson Ave., 23605, (757) 595-6712

NORFOLK - Commonwealth Electric Shaver Sales & Service, Inc., 6612 E. Virginia Beach Blvd., 23502, (804) 461-4475

ROANOKE - Commonwealth Shaver & Appliance Service, 5524 Williamson Road, NW, 24012, (540) 366-6038

SOUTH BOSTON - South Boston True Value, 307 Broad Street, 24592, (804) 572-6666

VIENNA - Appliance Fix-It, 8455 Tyco Road, 22182, (703) 893-1234

WINCHESTER - Battery Mart of Winchester, Inc., 1 Battery Dr., 22601, (703) 655-0065

WOODBIDGE - Baker's Appliance, 13314 Occoquan Road, 22191, (703) 490-5605

WASHINGTON

SEATTLE - Ajax Electric, 2911 First Avenue South, 98134, (206) 622-9945

SEATTLE (BELLEVUE) - Action Small Appliance Service, 1500 145th Place, SE, 98007, (206) 643-9806

SPOKANE - SPARCO, West 45 2nd Avenue, 99204, (509) 624-8965

SPOKANE - SPARCO, N. 1119 Pines Rd., 99206, (509) 922-9666

WEST VIRGINIA

BECKLEY - Jerry's Detectors, Vacuum & Appl. Svc., 411 Second Street, 25801, (304) 253-3521

CHARLESTON - Sneed's Vacuum & Sewing Center, 2614 7th Avenue, 25312, (304) 744-3670, (800) 245-8048 (WV only)

HARRISVILLE - Western Auto, 1107 E. Main St., 26362, (304) 643-2226

HUNTINGTON - Mike's Appliance and Service, 212 20th Street, 25703, (304) 522-0737

MARTINSBURG - Battery Mart, 1161-3 Winchester Avenue, 25401, (304) 267-7033, (800) 464-7918

WHEELING - Fast Service Center, 1058 Main Street, 26003, (304) 232-5561 (800) 874-4090

WISCONSIN

APPLETON - G/Tech Electric Tool & Housewares Service, 600 W. College Ave., 54911, (414) 739-6064, (800) 400-6064

GREENBAY - Kastle Carts, Inc., 2301 N. Irwin Ave., 54313, (414) 465-6121

LACROSSE - Paul's Shaver Service, 1224 Caledonia Street, 54603, (608) 782-6291

MADISON (MONONA) - Kiefer's Shaver and Appliance, 4511 Monona Drive, 53716, (608) 221-3322

MAUMETTE - Della Do-It Center, W 1536 Highway 41, 54143, (715) 732-1768

MILWAUKEE - Brand Appliance Repair, Inc., 3707 North 92nd Street, 53222, (414) 461-0440

MILWAUKEE - Brand Appliance Repair, Inc., 6000 W. Oklahoma Street, 53219, (414) 541-4340



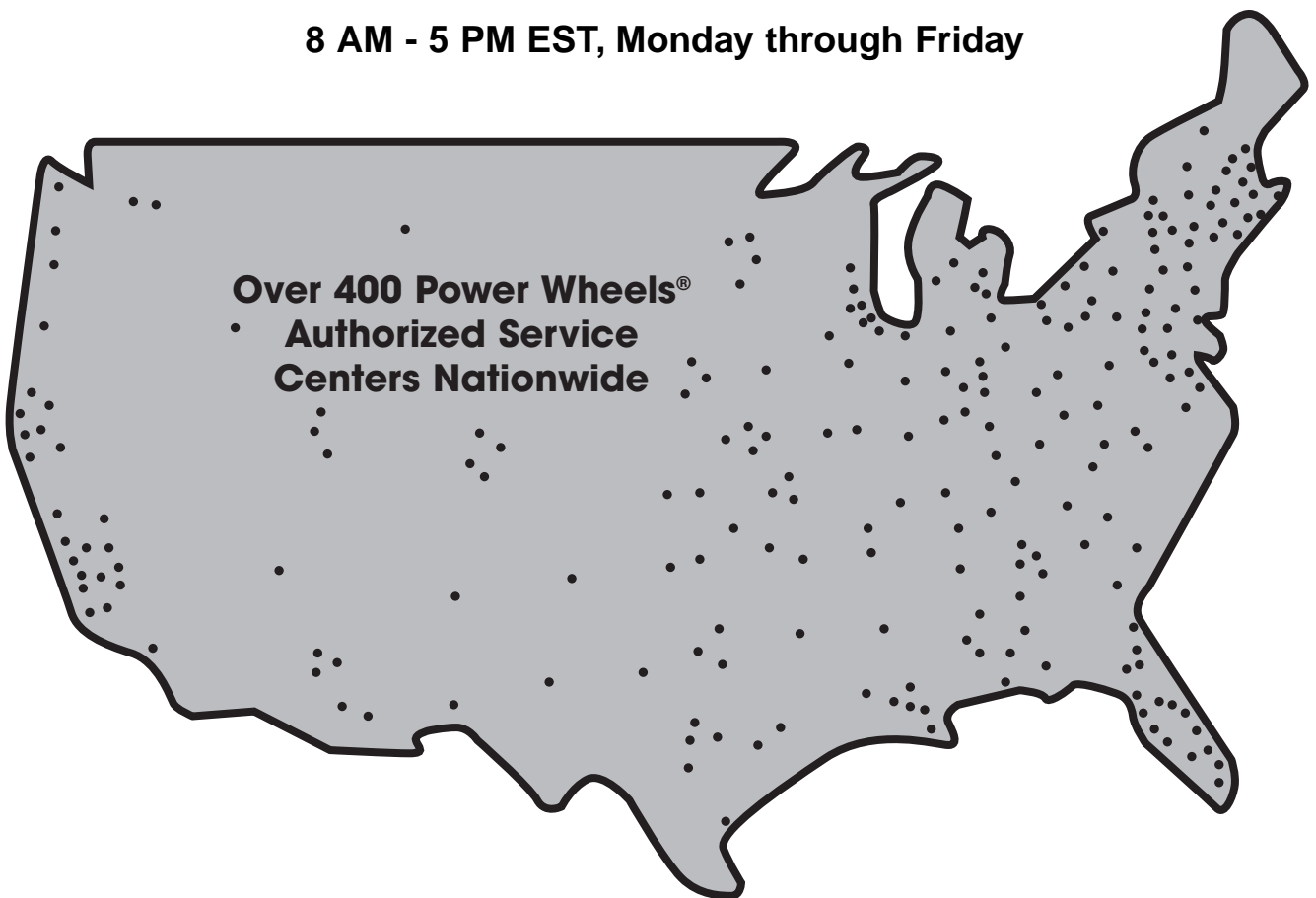
Do Not Return Your Vehicle to the Store

If you are missing parts or need assistance, please call us toll-free:

Power Wheels Consumer Affairs

1-800-348-0751

8 AM - 5 PM EST, Monday through Friday



Over 400 Power Wheels®
Authorized Service
Centers Nationwide

Or contact your local Power Wheels® Authorized Service Center.

For the location nearest you, refer to the
Authorized Service Center list in this manual.

Fisher-Price, Inc., a subsidiary of Mattel, Inc., East Aurora, NY 14052 U.S.A.

Printed in the U.S.A.

©1999 Mattel, Inc. All Rights Reserved

Fisher-Price, Power Wheels, Power Wheels by Fisher-Price and BARBIE are U.S. trademarks of Mattel, Inc.

78475-0921