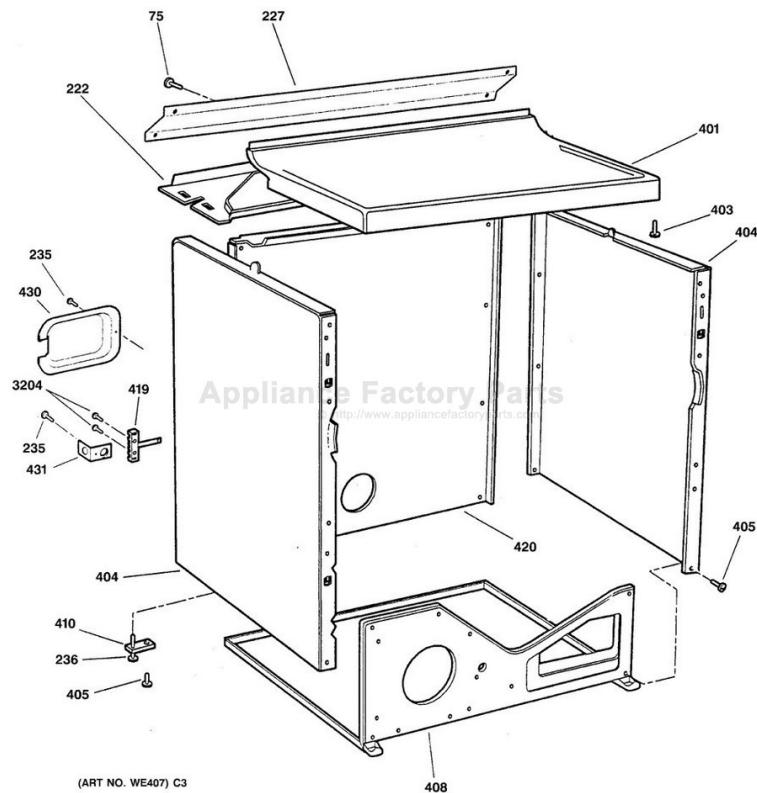


This Owner's Manual is provided and hosted by Appliance Factory Parts.



GE DPSR513EA2WW Owner's Manual

[Shop genuine replacement parts for GE
DPSR513EA2WW](#)



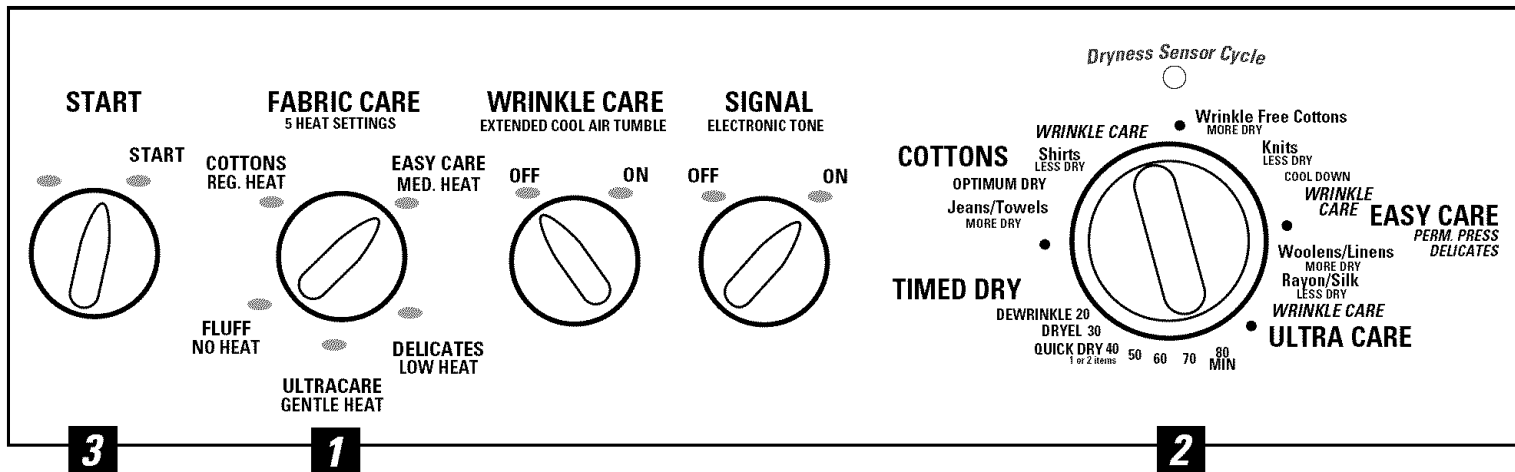
[Find Your GE Dryer Parts - Select From 3387 Models](#)

----- Manual continues below -----

Owners Manual Supplement for model DPSR513

(replaces pages 6, 7, and 8 of your Owner's Manual)

About the dryer control panel.



NOTE: Drying times will vary according to the type of heat used (Electric, Natural or LP gas), size of load, types of fabrics, wetness of clothes, and condition of exhaust ducts.

1 Fabric Care

COTTONS REG. HEAT For regular to heavy cottons.

EASY CARE MED HEAT For synthetics, blends, delicates and items labeled *permanent press*.

FLUFF NO HEAT For *fluffing* items without heat. Use the **TIMED DRY** cycle.

DELICATES LOW HEAT For delicates, synthetics and items labeled *tumble dry low*.

ULTRACARE GENTLE HEAT For lingerie and special care fabrics.

2 Drying Cycles

Automatic cycles automatically sense fabric dryness. Select **MORE DRY** for heavier fabrics, **LESS DRY** for lighter fabrics. Timed cycles run for the selected time.

COTTONS AUTOMATIC For cottons and most towels. For most loads select the **OPTIMUM DRY** setting.

EASY CARE PERM PRESS/ DELICATES For synthetic blends and delicates.

ULTRA CARE For special care fabrics such as rayons, woolens and silks.

TIMED DRY Set the Cycle Selector at the desired drying time.

QUICK DRY For one or two items.

DRYEL® For use with Dryel "dry clean only" fabric care system. Use the **MED-HEAT** fabric care setting. See product package for instructions.

DEWRINKLE For removing wrinkles from items that are clean and dry or that are very lightly damp.

3 Start

Close the dryer door. Select **START**. Opening the door during operation will stop the dryer. To restart the dryer, close the door and select **START** to complete the cycle.

Color Logic

Select the correct **FABRIC CARE** setting. Match the particular color below the words with the same color on the Cycle Dial.

Example: Drying a load of clothing labeled *permanent press*.

1 Choose the **FABRIC CARE** setting—for this load it would be the **EASY CARE MED. HEAT** (which is a particular color).

2 Turn the Cycle Dial to the area that has the same color as the **FABRIC CARE** setting you have chosen—for this load it would be the **EASY CARE PERM PRESS**.

Pub. No. 49-90039

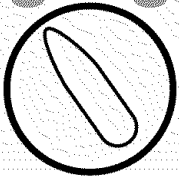
JR 12-99

Printed in Canada

About your dryer features.

WRINKLE CARE EXTENDED COOL AIR TUMBLE

OFF ON



Wrinkle Care

Use this option to minimize the wrinkles in clothes. It provides approximately 15 minutes of no-heat tumbling after the clothes are dry.

This option can only be used with the Automatic cycles. If you are using the **CYCLE SIGNAL** and you select the **WRINKLE CARE** option, a signal will sound at the end of the drying time

and several times during the **WRINKLE CARE** cycle. This will remind you that it is time to remove the clothes.

If **WRINKLE CARE** is not **ON**, the dryer will stop once the timer reaches the **WRINKLE CARE** mark on the cycle dial.

SIGNAL ELECTRONIC TONE

OFF ON



End of Cycle Signal

This signal will sound just before the end of the cycle to remind you to remove the clothes.

If you selected the **WRINKLE CARE** option the signal will sound at the end of the drying time and will sound several times during the **WRINKLE CARE** cycle. This will remind you that it is time to remove the clothes.

NOTE:

- Remove garments promptly at the sound of the signal. Place clothes on hangers so wrinkles won't set in.
- Use the **END OF CYCLE SIGNAL** especially when drying fabrics like polyester knits and permanent press. These fabrics should be removed so wrinkles won't set in.

SensorDry

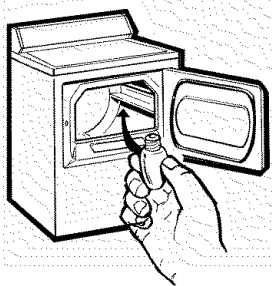
SensorDry

This feature is only activated in the automatic cycles.

SensorDry provides greater drying accuracy than standard machines, resulting in shorter dry times and better clothes care. As the clothes tumble, they touch a moisture sensor. The sensor will stop the heating cycle as soon as the clothes have reached the selected dryness.

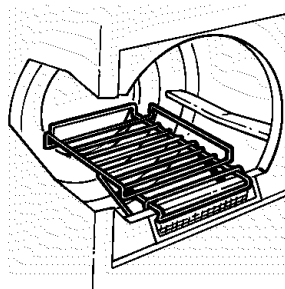
On some models, there is a **Dryness Sensor Cycle** indicator light. This light is illuminated during automatic cycles. When the **SensorDry** feature stops the heating cycle, the light will go out and the cool down period will begin.

Note: The clothes will be hot if they are removed immediately after the indicator light goes out.



Drum Lamp

Before replacing the light bulb, be sure to unplug the dryer power cord or disconnect the dryer at the household distribution panel by removing the fuse or switching off the circuit breaker. Reach above dryer opening from inside the drum. Remove the bulb and replace with the same size bulb.



Drying Rack

A handy drying rack may be used for drying articles such as stuffed toys, pillows or washable sweaters.

Hook the rack over the lint filter so the rack extends into the dryer drum.

NOTE:

- The drying rack must be used with the **TIMED CYCLE**.
- Do not use this drying rack when there are other clothes in the dryer.