

This Owner's Manual is provided and hosted by [Appliance Factory Parts](#).



CUISINART C560S Owner's Manual

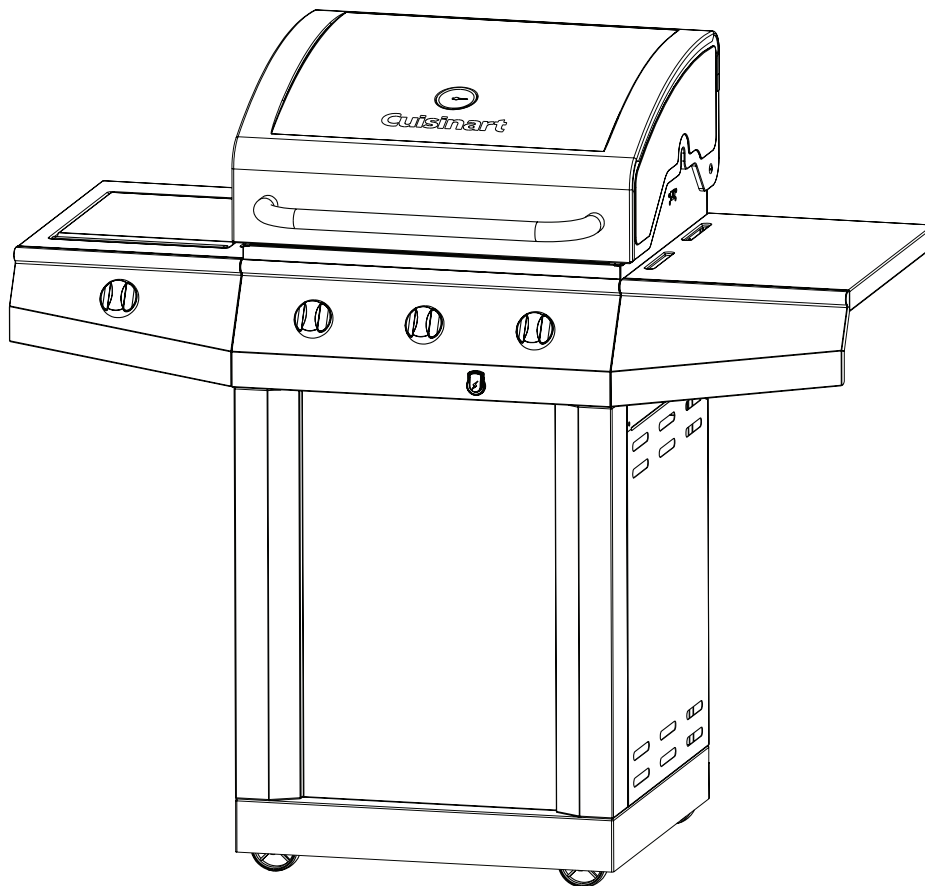
[Shop genuine replacement parts for CUISINART C560S](#)



[Find Your CUISINART Grill Parts - Select From 152 Models](#)

----- Manual continues below -----

Cuisinart™



CUISINART™ C560S **Assembly Manual**

85-3030-8 (G41208) Propane
85-3031-6 (G41209) Natural Gas

LIMITED 5-YEAR WARRANTY

Read and save manual for future reference.

**Assemble your grill immediately.
Missing or damaged parts should be
claimed within 30 days of purchase.**

**For product inquiries, parts, warranty and troubleshooting support,
please call 1-800-309-3452.**

www.cuisinartbbqs.com



HEAVY ARTICLE NEEDS 2 TO LIFT

THIS MANUAL MUST REMAIN WITH THE PRODUCT AT ALL TIMES

To ORDER non-warranty replacement parts or accessories, or to register your warranty, please visit us on the web at www.cuisinartbbqs.com

⚠ CAUTION

Sharp edges. Wear gloves when assembling your grill.

⚠ CAUTION

Read and follow all safety statements, assembly instructions, and use and care directions before attempting to assemble and cook.

⚠ INSTALLER OR ASSEMBLER/CONSUMER

This manual should be kept with the BBQ at all times.

⚠ WARNING

Failure to follow all of the Manufacturer's instructions could result in hazardous fires, explosions, property damage, or serious personal injury or even death.

Follow all leak check procedures carefully prior to operation of barbecue, even if grill was dealer assembled. Do not try to light this barbecue without reading the Lighting Instructions section of this manual.

⚠ DANGER

1. If you smell Gas:
 - a. Shut off gas to the appliance
 - b. Extinguish any open flame
 - c. Open lid
 - d. If odor continues, keep away from the appliance and immediately call your gas supplier or your fire department
 2. Requires two people to complete the assembly process.
 3. Beware of sharp edges.
-

⚠ WARNING

1. Do not store or use gasoline or other flammable liquids or vapours in the vicinity of this or any other appliance.
 2. An LP cylinder not connected for use shall not be stored in the vicinity of this or any other appliance.
-

THIS BARBECUE IS FOR OUTDOOR USE ONLY

CONTACT CALL CENTRE IF ANY PARTS ARE MISSING

1-800-309-3452

PARTS LIST (PROPANE) FOR 85-3030-8 (G41208)

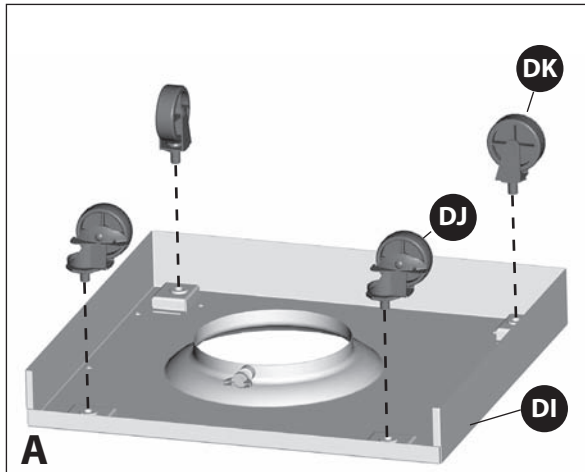
Item No.	Quantity	Description	Part No.
AA	1	Top Lid	G412-6300-01
AB	1	Lid Handle	G412-0035-01
AC	1	Thermometer	G512-0085-01
AD	2	Screw for Top Lid	G501-0005-02
AE	2	Lid Bumper	G508-0063-01
BA1	1	Burner Box Weldment	G412-6500-01
BA2	1	Rear Panel, Burner Box	G416-0013-01
BB	1	Upper Side Panel - Left	G412-1700-01
BC	1	Upper Side Panel - Right	G412-4900-01
BD1	2	Main Burner - A	G413-5000-01
BD2	1	Main Burner - B	G412-3800-01
BE	2	Carryover Assembly	G413-0004-01
BF	3	Flame Tamer	G413-0036-01
BG	2	Cooking Grate	G412-0039-01
BH	1	Warming rack	G413-0002-01
BI	1	Upper Back Panel	G412-0002-01
BJ	1	Match Holder	G608-0019-01
CA	1	Manifold Assembly	G412-4600-01
CB	1	Regulator	G606-0008-01
CC	3	Control Knobs	G512-7900-01
CD1	1	Electronic Igniter Assembly	G412-0038-01
CD2	1	Electronic Ignition Button	G512-0070-01
CE	3	Electrode Set, Main Burner	G412-0009-01
CF	1	Control Panel	G412-0037-01
CG	1	Heat Shield	G412-0017-01
CH	1	Grease Tray	G412-1900-01
CI	1	Grease Cup	G416-0015-01
CJ	1	Side Burner Lid	G501-0070-01
CK	1	Side Burner Drip Pan	G617-0035-01
CL1	1	Side Burner Valve	G512-0055-01
CL2	1	Side Burner Metal Hose	G608-0039-01
CM	1	Side Burner Assembly	G512-2600-02
CN	1	Side Burner Electrode Set	G433-0047-02
CO	1	Side Burner Cooking Grate	G501-0077-01
DA	1	Side Burner Shelf Table - Left	G501-3600-01
DB	1	Side Burner Shelf Fascia - Left	G412-0041-01
DC	1	Side Shelf Table - Right	G501-0800-02
DD	1	Side Shelf Fascia - Right	G412-0040-01
DE	1	Cart Side Panel - Left	G412-0500-01
DF	1	Cart Side Panel - Right	G412-0600-01
DG	2	Pillars	G412-0013-01
DH	1	Front Panel	G412-0012-01
DI	1	Bottom Shelf	G412-1800-01
DJ	2	Wheel with Lock	G515-0082-01
DK	2	Wheel	G350-0024-01
DL	1	Bottom Shelf Weight	G412-0030-01
E1	1	Hardware Pack	G412-B008-01
E2	1	Assembly Manual	G412-M008-01
E3	1	Safety & Care Manual	G412-M008-02

PARTS LIST (NATURAL GAS) FOR 85-3031-6 (G41209)

Item No.	Quantity	Description	Part No.
AA	1	Top Lid	G412-6300-01
AB	1	Lid Handle	G412-0035-01
AC	1	Thermometer	G512-0085-01
AD	2	Screw for Top Lid	G501-0005-02
AE	2	Lid Bumper	G508-0063-01
BA1	1	Burner Box Weldment	G412-6500-01
BA2	1	Rear Panel, Burner Box	G416-0013-01
BB	1	Upper Side Panel - Left	G412-1700-01
BC	1	Upper Side Panel - Right	G412-4900-01
BD1	2	Main Burner - A	G413-5000-01
BD2	1	Main Burner - B	G412-3800-01
BE	2	Carryover Assembly	G413-0004-01
BF	3	Flame Tamer	G413-0036-01
BG	2	Cooking Grate	G412-0039-01
BH	1	Warming rack	G413-0002-01
BI	1	Upper Back Panel	G412-0002-01
BJ	1	Match Holder	G608-0019-01
CA	1	Manifold Assembly	G412-4700-01
CB	1	Natural Gas Hose	G501-0099-01
CC	3	Control Knobs	G512-7900-01
CD1	1	Electronic Igniter Assembly	G412-0038-01
CD2	1	Electronic Ignition Button	G512-0070-01
CE	3	Electrode Set, Main Burner	G412-0009-01
CF	1	Control Panel	G412-0037-01
CG	1	Heat Shield	G412-0017-01
CH	1	Grease Tray	G412-1900-01
CI	1	Grease Cup	G416-0015-01
CJ	1	Side Burner Lid	G501-0070-01
CK	1	Side Burner Drip Pan	G617-0035-01
CL1	1	Side Burner Valve	G512-0067-01
CL2	1	Side Burner Metal Hose	G608-0039-01
CM	1	Side Burner Assembly	G512-2600-02
CN	1	Side Burner Electrode Set	G433-0047-02
CO	1	Side Burner Cooking Grate	G501-0077-01
DA	1	Side Burner Shelf Table - Left	G501-3600-01
DB	1	Side Burner Shelf Fascia - Left	G412-0041-01
DC	1	Side Shelf Table - Right	G501-0800-02
DD	1	Side Shelf Fascia - Right	G412-0040-01
DE	1	Cart Side Panel - Left	G412-0500-01
DF	1	Cart Side Panel - Right	G412-0600-01
DG	2	Pillars	G412-0013-01
DH	1	Front Panel	G412-0012-01
DI	1	Bottom Shelf	G412-5500-01
DJ	2	Wheel with Lock	G515-0082-01
DK	2	Wheel	G350-0024-01
DL	1	Bottom Shelf Weight	G412-0030-01
E1	1	Hardware Pack	G412-B008-01
E2	1	Assembly Manual	G412-M008-01
E3	1	Safety & Care Manual	G412-M008-02

ASSEMBLY INSTRUCTIONS

1



Back view



Close up

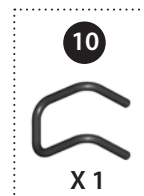
Separate the 2 different types of wheels, 2 locking wheels (DJ) and 2 regular wheels (DK).

Insert the U Pin (#10) into one of the regular wheels (DK), as shown in image B. Attach the regular wheel (DK) to the front of the bottom shelf (DI), and use the U Pin (#10) to secure and tighten.

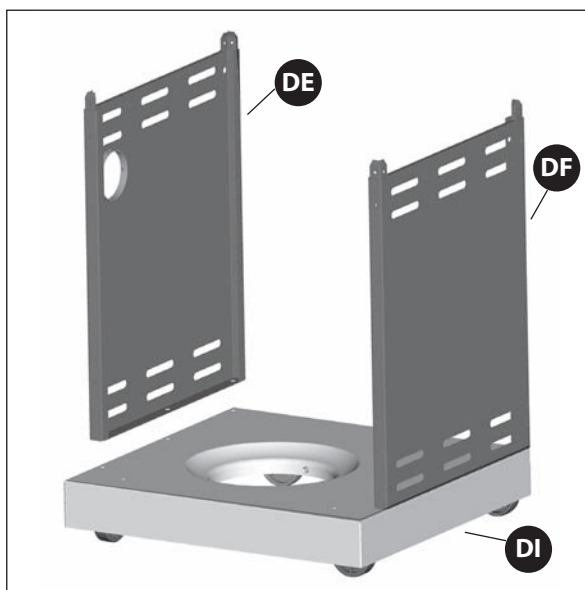
Repeat for remaining 3 wheels (DK & DJ).

NOTE: Regular wheels (DK) need to be assembled to the front of the bottom shelf (DI), and wheels with lock (DJ) need to be assembled to the back of the bottom shelf (EF), as shown in image A.

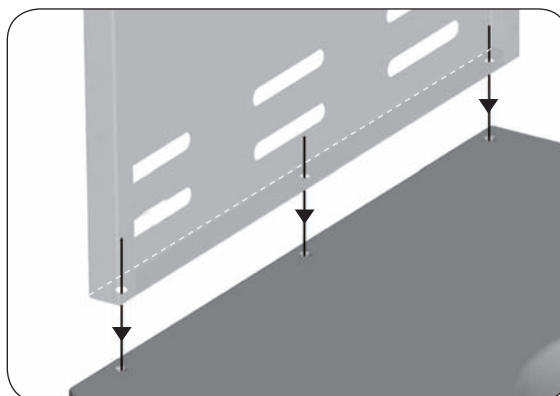
YOU WILL NEED:



2



Front view

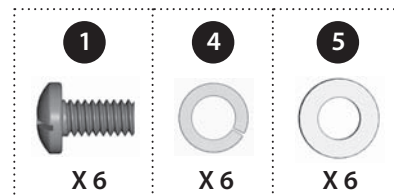


Close up

Ensure that the wheels are firmly locked in the "ON" position before continuing.

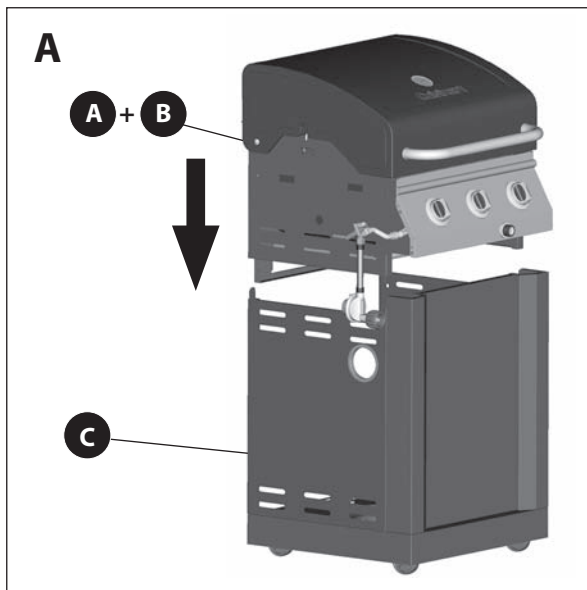
Assemble the left side panel (DE) and the right side panel (DF) to the bottom shelf (DI).

YOU WILL NEED:



ASSEMBLY INSTRUCTIONS

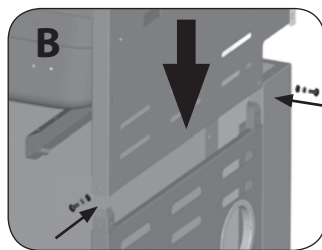
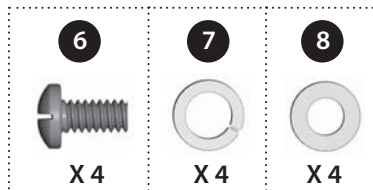
5



THIS STEP REQUIRES 3 OR MORE PEOPLE. DO NOT ATTEMPT ALONE. EXTREMELY HEAVY.

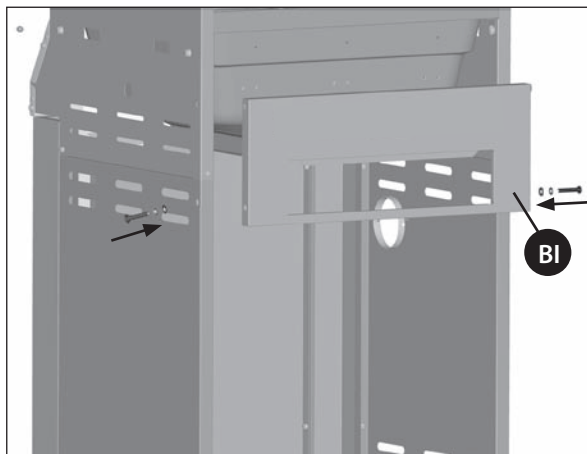
Position the top lid and burner box assembly (A and B) onto the cart assembly (C) as shown in figure A. Use the hardware to connect both parts, on the left and right sides, at the two points indicated in figure B.

YOU WILL NEED:



Back, left side view

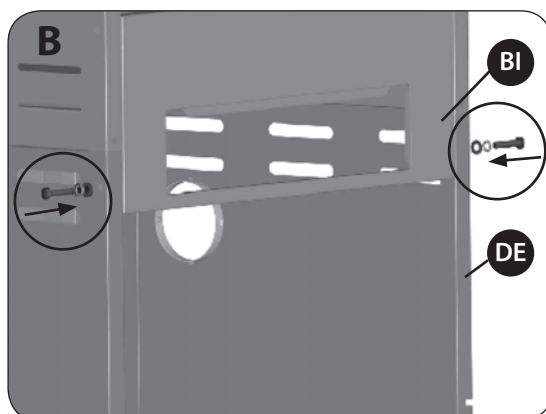
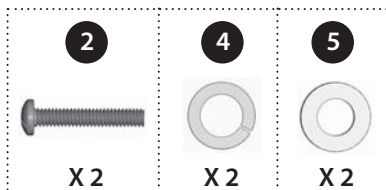
6



Attach the upper back panel (BI) to both the left and right side panels (DE and DF).

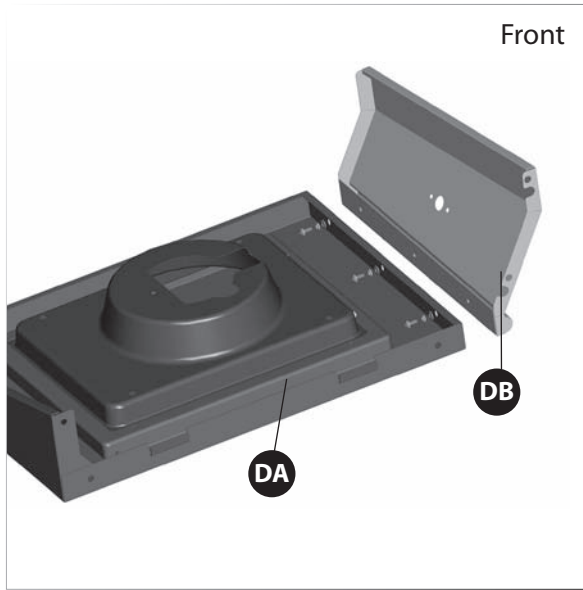
Only install hardware in the bottom portion of the upper back panel (BI), as shown in figure B.

YOU WILL NEED:



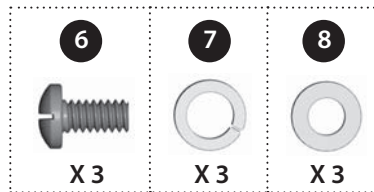
ASSEMBLY INSTRUCTIONS

9

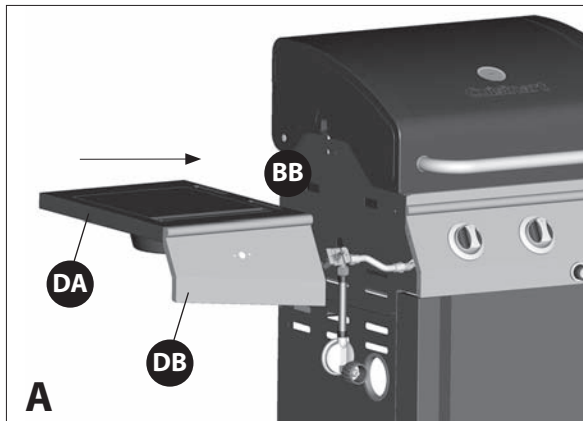


Attach the left side burner shelf fascia (DB) to the left side burner shelf table (DA).

YOU WILL NEED:



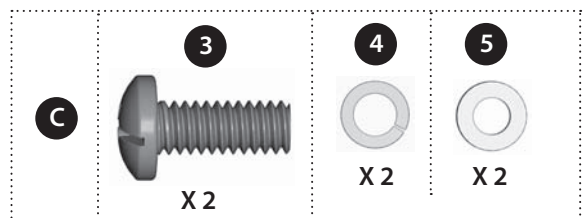
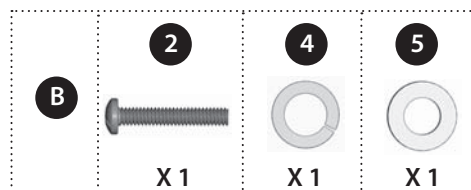
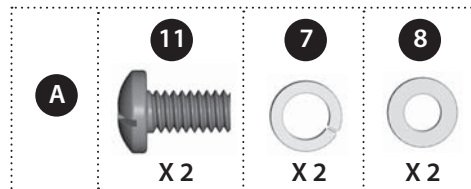
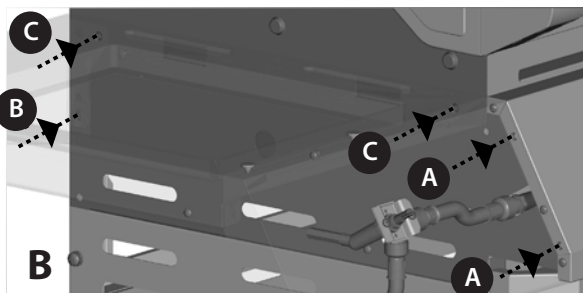
10



TIP: To position the left side burner shelf, insert the two hooks on the side shelf assembly into the support brackets located on the upper left side panel (BB).

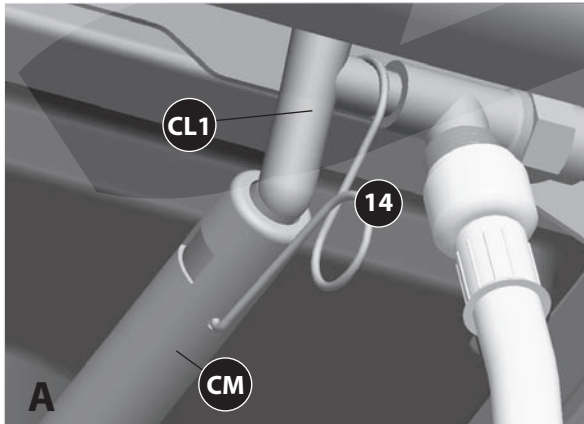
Assemble the left side shelf assembly to the left upper side panel (BB).

YOU WILL NEED:



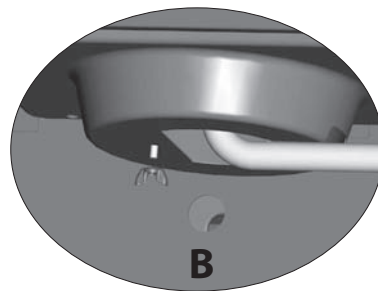
ASSEMBLY INSTRUCTIONS

13



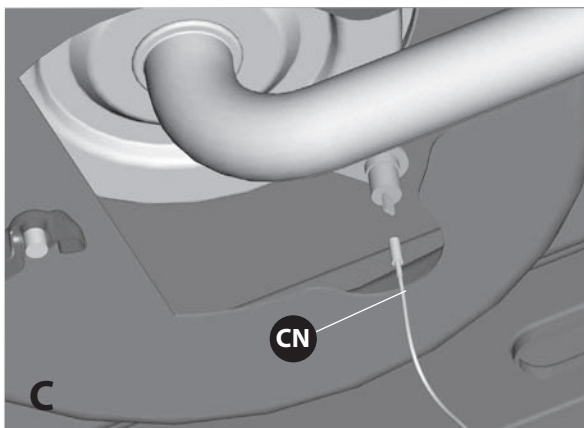
a. Use the side burner Venturi clip (#14) to connect the side burner (CM) to the side burner valve (CL1).

YOU WILL NEED:



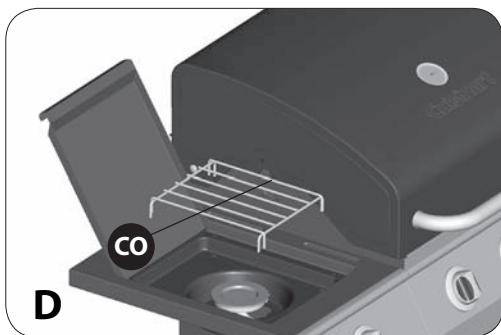
b. Using the wing nut provided, assemble the side burner (CM) to the side burner drip pan (CK), as shown in figure C.

YOU WILL NEED:



c. Attach the end of the side burner electrode wire (CN) to the underside of the side burner electrode, as shown in figure D.

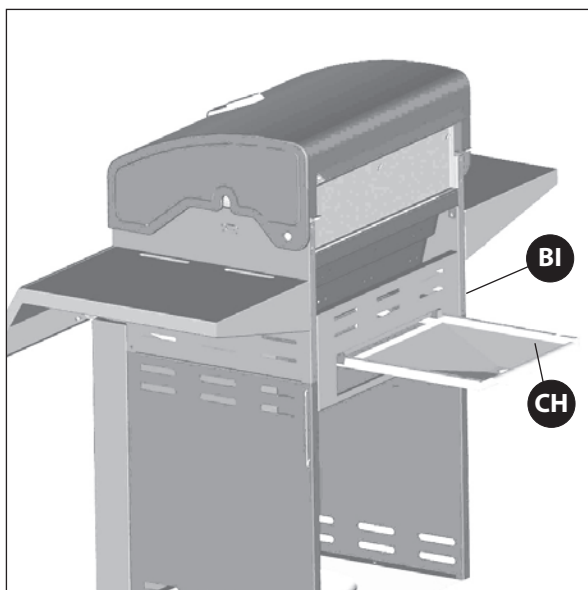
Ensure that the wire is pushed in firmly.



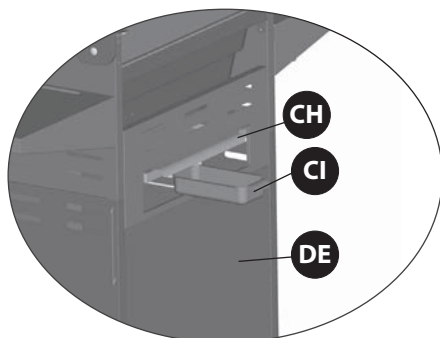
d. Place the side burner cooking grate (CO) into position on the side burner shelf, as shown in figure E.

ASSEMBLY INSTRUCTIONS

16



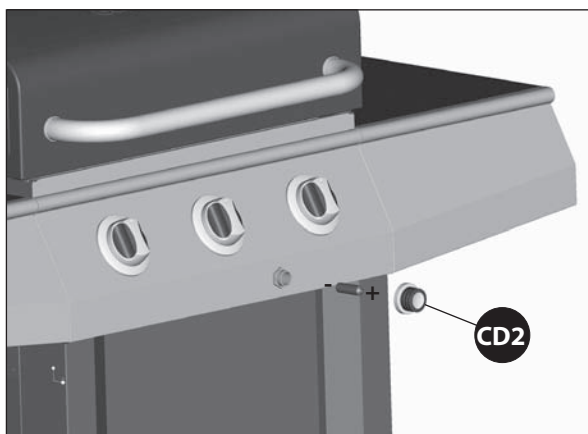
Back view



a. Insert the grease tray (CH) into the opening in the upper back panel (BI), making sure to engage tracks located under burner box.

b. Place the grease cup (CI) onto the tracks, located on the underside of the grease tray (CH).

17



Unscrew the electronic igniter button (CD2) and insert one AA battery into the electronic igniter battery compartment, with the positive end facing outward.

*** Battery not included.**