

This Owner's Manual is provided and hosted by [Appliance Factory Parts](#).



Haier GDE450AW Owner's Manual

[Shop genuine replacement parts for Haier GDE450AW](#)



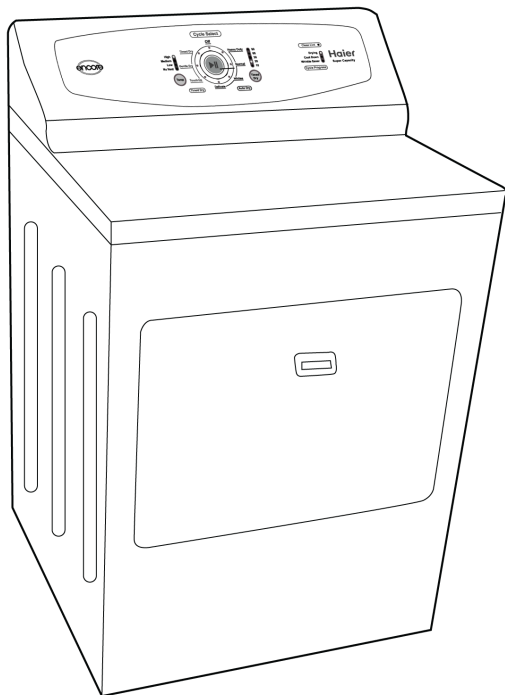
[Find Your Haier Dryer Parts - Select From 15 Models](#)

----- Manual continues below -----

User Manual and Installation Instructions Gas & Electric Dryer

User Manual and Installation Instructions Sèche-linge Genesis

Manual para el usuario e instrucciones de instalación. Secadora a gas y eléctrica



(Picture for illustration purposes only. Actual model may vary per model purchased.)

**Model # / Modèle # / Para Modelo de #
GDE/GDG450AW; CGDE450AW**

Haier®

Quality ■ Innovation ■ Style

TABLE OF CONTENTS

	PAGE
IMPORTANT SAFETY INSTRUCTIONS	2-4
INSTALLATION INSTRUCTIONS	5-17
Tools and Materials Required	5
Electrical Requirements	5
Unpacking Your Dryer	6
Exhaust System Requirements	7
Gas Supply Requirements	9
Location of Your Dryer	9
Manufactured (Mobile) Home Instruction	10
Electrical Installation	11
3-Wire Cord Connections	13
4-Wire Cord Connections	14
Gas Connections	15
Replacement Parts	17
OPERATING INSTRUCTIONS	18-24
Understanding the Control Panel.....	18
Preparations before Drying	20
Load clothes into Dryer	20
Auto Dry Cycle	21
Timed Dry Cycle	22
Other Features	23
Normal Operating Sounds	24
Tips	24
CARE AND CLEANING GUIDE	24
TROUBLESHOOTING	25
LIMITED WARRANTY	26

IMPORTANT SAFETY INSTRUCTIONS

Before beginning installation, carefully read these instructions. This will simplify the installation and ensure the dryer is installed correctly and safely.

NOTE: The electrical service to the dryer must conform with local codes and ordinances and the latest edition of the National Electrical Code, ANSI/NFPA 70 or in Canada, CSA C22.1 Canadian Electrical Code Part 1.

NOTE: The gas service to the dryer must conform with local codes and ordinances and the latest edition of the National Fuel Gas Code, ANSI Z223.1 or in Canada, CAN/CGA B149.1.

NOTE: The dryer is designed under ANSI Z21.5.1 or ANSI/UL 2158 - CAN/CSA C22.2 No. 112-97 (latest editions) for HOME USE ONLY. This dryer is not recommended for commercial application such as restaurants, beauty salons, etc.

WARNING: For your safety the information in this manual must be followed to minimize the risk of fire or explosion or to prevent property damage, personal injury or loss of life.



Combustible materials, gasoline, and other flammable vapors and liquids must not be stored near the dryer.

WHAT TO DO IF YOU SMELL GAS

1. Do not try to light any appliance
2. Do not touch any electrical switch. Do not use any phone in your building.
3. Clear the room, building, or area of all occupants.
4. Immediately call your gas supplier from a neighbor's phone. Follow the gas supplier's instructions.
5. If you cannot reach your gas supplier, call the Fire Department.

Installations must be performed by a qualified or licensed contractor, plumber, or gas fitter qualified or licensed by the state, province, or region where this appliance is being installed.

IMPORTANT SAFETY INSTRUCTIONS

WARNING - To reduce the risk of fire, electric shock, or injury to persons when using your appliance, follow the basic precautions, including the following:

1. **Read all of the instructions before using this appliance.**
2. Don't dry articles that have been previously cleaned in, washed in, soaked in, or spotted with gasoline, dry clean solvents or other flammable explosive substances as they give off vapors which could ignite or explode.
3. Do not allow children to play on or in the appliance. Close supervision of children is necessary when the appliance is used near children.
4. Before the appliance is removed from service or discarded, remove the door to the drying compartment.
5. Do not reach into the appliance if the drum is moving.
6. Do not install or store this appliance where it will be exposed to water and/or to the weather.
7. Do not tamper with controls.
8. Do not repair or replace any part of the appliance or attempt any servicing unless specifically recommended in the user-repair instructions that you understand and have skills to carry out.
9. Do not use fabric softeners or products to eliminate static unless recommended by the manufacturers of the fabric softener or product.
10. Do not use heat to dry articles or products to eliminate static unless recommended by the manufacturers of the fabric softener or product.
11. Clean lint screen before or after each load.
12. Keep area around the exhaust opening and adjacent surrounding areas free from the accumulation of lint, dust and dirt.
13. Keep the dryer area clear and free from items that would obstruct the flow of combustion and ventilation air through the louvered panel located on the rear of the dryer.
14. The interior of the appliance and the exhaust duct should be cleaned periodically by qualified service personnel.

15. Do not place items exposed to cooking oils in your dryer. Items contaminated with cooking oil may contribute to a chemical reaction than could cause a load to catch fire.
16. If material has been used with any flammable liquids or solids, it should not used in the dryer until all terraces of flammable liquids and its fumes have been removed.
17. This dryer must be properly installed in accordance with the installation instructions before it is used. See grounding instructions in the installations sections.
18. Proper grounding must be ensured to reduce the risk of electric shock and fire. Check with a qualified electrician or service personnel if you are in doubt as to whether the dryer is properly grounded.
19. Use the dryer only for its intended purpose: drying clothes.
20. Always disconnect dryer from electrical supply before attempting any service. Disconnect power cord by grasping the plug, not the cord.
21. Replace worn power cord and/or loose plugs.
22. To reduce the risk of electric shock or fire, do not use extension cords or adapters to connect dryer electrical power source.

SAVE THESE INSTRUCTIONS

DANGER

Risk of child entrapment. Before you throw away your old dryer, take off the door so that children may not get trapped inside.

Thank you for using our Haier product. This easy-to-use manual will guide you in getting the best use of your dryer.

Remember to record the model and serial number. They are on a label in back of the dryer.

Model number

Serial number

Date of purchase

Staple your receipt to your manual.

You will need it to obtain warranty service.

INSTALLATION INSTRUCTIONS

Risk of Fire: **WARNING**

1. Clothes dryer installation must be performed by a qualified installer.
2. Install the clothes dryer according to the manufacturer's instructions and local codes.
3. Do not install a clothes dryer with flexible plastic venting materials. If flexible metal (foil type) duct is installed, it must be of a specific type identified by the appliance manufacturer as suitable for use with clothes dryers. Flexible venting materials are known to collapse, be easily crushed and trap lint. The conditions will obstruct clothes dryer airflow and increase the risk of fire.
4. To reduce the risk of severe injury or death, follow all installation instructions.

TOOLS AND MATERIALS REQUIRED

- Phillips-Head and flathead screwdrivers
- Channel-lock adjustable pliers
- 1/2-inch open-end wrench
- Carpenter's level
- Measuring tape (12ft. min.)
- Duct tape
- Pipe thread sealer (Gas)
- Rigid or flexible metal 4 inch (102cm) duct
- Vent hood

Safety Warning:



1. Before starting installation, make sure that the gas shut off valve is in the off position.
2. All old gas connectors and gas piping should be discarded.

ELECTRICAL REQUIREMENTS

Electric Dryer: (GDE450AW/CGDE450AW)

Circuit

Individual 30 Amp branch circuit fused with 30 Amp time-delay fuses or circuit breakers. Use separately fused circuits for washers and dryers, and DO NOT operate a washer and dryer on the same circuit.

Power Supply

3 or 4 wire, 240 Volt, 1 Phase, 60Hz, AC
(Canada - 240 Volt, 1 Phase, 60 Hz, AC)

Power Supply Cord Kit

(Not supplied when sold in US. Must be purchased to meet local electrical codes.)
The dryer **MUST** employ a 3-conductor power supply cord NEMA 10-30 Type SRDT rated at 240 Volt AC minimum, 30 Amp, with 3 open end spade lug connectors with upturned ends or closed loop connectors and marked for use with clothes dryers. (When sold in Canada - 4-wire power supply cord provided and attached on dryer)

Dryers being installed in a manufactured (mobile) home **MUST** employ a 4-wire power supply cord NEMA 14-30 type SRDT or ST (as required) rated to 240 Volt AC minimum, 30 Amp, with 4 open-end spade lug connectors with upturned ends or closed loop connectors and marked for use with clothes dryers. See Electrical Connections for more information on a 4-wire system.

Outlet Receptacle

NEMA 10-30R receptacle should be located so the power supply cord is accessible when the dryer is in the installed position. (Canada - NEMA 14-30R receptacle)

ELECTRICAL REQUIREMENTS**Gas Dryer: (GDG450AW)****Circuit**

Individual 15 Amp branch circuit fused with 15-Amp maximum time delay fuse or circuit breakers.

Power Supply

3 wire, 120 Volt, 1 Phase, 60Hz, AC

Power Supply Cord

The dryer is equipped with a 120 Volt 3-wire power supply cord.

Note: This dryer is equipped with a three-prong grounding plug for your protection against shock hazard and should be plugged into a properly grounded three-prong receptacle. Do not under any circumstance cut or remove grounding prong from plug.

UNPACKING YOUR DRYER

1. Remove all packaging material. This includes the foam base and all adhesive tape holding the dryer accessories inside and outside.
2. Inspect and remove any remains of packaging, tape or printed materials before using the dryer.


EXHAUST SYSTEM REQUIREMENTS

WARNING

The following are specific requirements for proper and safe operation of your dryer. Failure to follow these instructions can create excessive drying times and fire hazards.

1. Do not use plastic flexible duct to exhaust the dryer. Excessive lint can build up inside exhaust system and create a fire hazard and restrict air flow. Restricted air flow will increase drying time. If your present system is made up of plastic duct or metal foil duct, replace it with a rigid or flexible metal duct. Ensure present duct is free of any lint prior to installing dryer duct.
2. The dryer must not be exhausted into any gas vent, chimney, wall, ceiling or any concealed space of a building. **The dryer exhaust system MUST be exhausted to the outdoors.** If the dryer is not exhausted outdoors, some fine lint will be expelled into the laundry area. An accumulation of lint in any area of the home can create a health and fire hazard.
3. Exceeding the length of duct pipe or number of elbows allowed in the "Maximum Length" chart can cause an accumulation of lint in the exhaust system. Plugging the system could create a fire hazard, as well as increase drying times.
4. Do not screen the exhaust ends of the vent system. Lint can become caught in the screen, increasing drying time. Use an approved vent hood to terminate the duct outdoors, and seal all joints with duct tape.
5. All male duct pipe fittings must be installed downstream with the flow of air.
6. Exhaust duct must not be connected or secured with screws or other fastening devices which extend into the interior of the duct.
7. Do not allow combustible material (clothing, draperies/curtains, paper, etc.) to come in contact with exhaust system.

Explosion hazard:

 Do not install the dryer where gasoline or other flammables are kept or stored. Failure to do so can result in death, explosion, fire or burns.

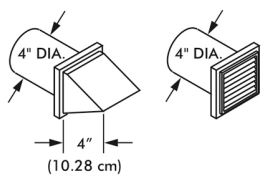
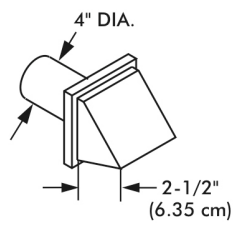
EXHAUST REQUIREMENTS:

Use only 4 inch (10.2cm) diameter (minimum) rigid or flexible metal duct and approved vent hood which has a swing-out damper that opens when the dryer is in operation. When the dryer stops, the dampers automatically close to prevent drafts and the entrance of insects and rodents. To avoid restricting the outlet, maintain a minimum of 12 inches (30.5cm) clearance between the vent hood and the ground or any other obstruction.

The vent flap should be able to move freely, although vertical orientation of the exhaust system is acceptable. Certain extenuating circumstances could affect the performance of the dryer:

1. Only rigid metal duct work should be used.
2. Venting vertically through a roof may expose the exhaust system to down drafts causing an increase in vent restriction.
3. Running the exhaust system through an uninsulated area may cause condensation and faster accumulation of lint.
4. Compression of crimping of the exhaust system will cause an increase in vent restriction.
5. In Canada, that only those foil-types flexible ducts, if any, specifically identified for use with the appliance by the manufacturer shall be used. In the United States, that only those foil-type flexible ducts, if any, specifically identified for use with the appliance by the manufacturer and that comply with the UL Outline for Clothes Dryer Transition Duct, Subject 2158A (2006), shall be used.
6. In Canada, that the exhaust duct shall be 102mm in diameter. In the United States, the required exhaust duct diameter.
7. The total length of flexible metal duct shall not exceed 2.4m.

The exhaust system should be inspected and cleaned a minimum of every 12 months with normal usage. The more the dryer is used the more often you should check the exhaust system and vent hood for proper operation.

RECOMMENDED MAXIMUM		
Exhaust Hood Types		
	Recommended	Use only for short run installations
		
No. of 90° elbows	Rigid Metal	Rigid Metal
0	90 ft.	60 ft.
1	60 ft.	45 ft.
2	45 ft.	35 ft.
3	35 ft.	25 ft.

Note: Exhausting refers to removal of moist air from the drying compartment.

GAS SUPPLY REQUIREMENTS

WARNING: Replace copper connecting pipe that is not plastic-coated. Stainless steel or plastic-coated brass MUST be used.



1. Installation MUST conform with local codes. In the absence of local codes, installation must conform with the National Fuel Gas Code, ANSI Z223.1 (latest edition) or in Canada, the current CAN/CGA B149.1
2. The gas supply line should be 1/2 inch (1.27cm) pipe.
3. If codes allow, flexible metal tubing may be used to connect your dryer to the gas supply line. The tubing MUST be constructed of stainless steel or plastic-coated brass.
4. The gas supply line MUST have an individual manual shutoff valve installed within 6 feet (183cm) of the dryer in accordance with the National Fuel Gas Code, ANSI Z223.1/NFPA 54.
In Canada, an individual manual shut-off valve MUST be installed in accordance with the B149.1, Natural Gas and Propane Installation Code.
5. A 1/8 inch (0.32cm) N.P.T. plugged tapping, accessible for test gauge connection, MUST be installed immediately upstream of the gas supply connection to the dryer.
6. The dryer MUST be disconnected from the gas supply piping system during any pressure testing of the gas supply piping system at test pressures in excess of 1/2 psig (3.45kPa).
7. The dryer MUST be isolated from the gas supply piping system during any pressure testing of the gas supply piping system at test pressures equal to or less than 1/2 psig (3.45 kPa).

LOCATION OF YOUR DRYER

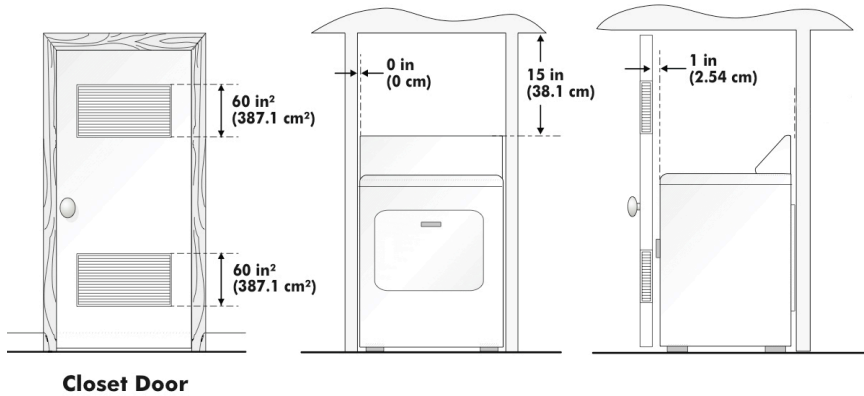
Do Not Install Your Dryer:

1. In an area exposed to dripping water or outside weather conditions.
2. In an area where it will come in contact with curtains, thick carpet, or anything that will obstruct the flow of combustion and ventilation air.
3. On carpet, floor must be solid with a maximum slope of 1 inch (2.54 cm). Any floor unevenness should be corrected with leveling legs located on the bottom of the dryer.

Installation in Alcove or Closet:

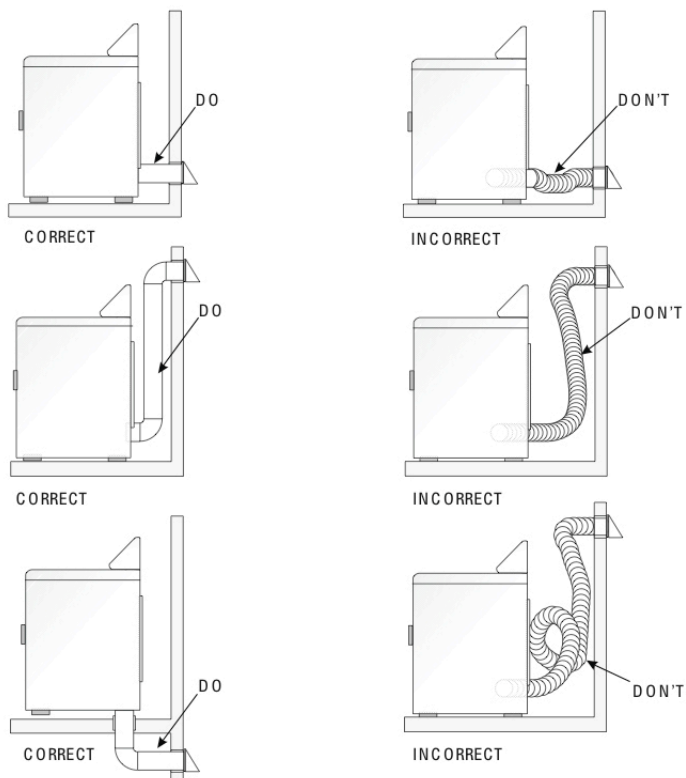
1. **DO NOT** install your dryer in a closet with a solid door.
2. A dryer installed in a bedroom, bathroom, alcove or closet MUST be exhausted outdoors.

3. No other fuel burning appliance shall be installed in the same closet as the gas dryer.
4. Refer to the images on this page to ensure the installation provides the minimum amount of clearance required for ventilation.
5. When installing the dryer in a closet with a door, a minimum of 120 square inches (774.2 square cm) of ventilation in the door is required. Openings must be equally divided at the top and bottom of the door and airflow must be unobstructed. A louvered door with equivalent air openings for the length of the door is acceptable.



MANUFACTURED (MOBILE) HOME INSTALLATION

1. Dryer **MUST** be exhausted outside (outdoors, not beneath the manufactured home) using metal ducting that will not support combustion. Metal ducting must be 4 inch (10.16 cm) in diameter with no obstructions. Rigid metal duct is preferred.
2. If dryer is exhausted through the floor and area beneath the manufactured home is enclosed, the exhaust system **MUST** terminate outside the enclosure with the termination securely fastened to the mobile home structure.
3. When installing a gas dryer into a manufactured home, a provision must be made for outside make up air. This provision is to be not less than twice the area of the dryer exhaust outlet.
4. This dryer **MUST** be fastened to the floor using. Manufactured Home Installation Kit. Follow the instructions supplied with the kit.
5. Refer to previous sections for other important venting requirements.
6. Installation must conform to current Manufactured Home Construction & Safety Standard (which is a Federal Regulation Title 24 CFR-Part 32-80) or when such standard is not applicable, with American National Standard for Mobile Homes. In Canada, the CSA Z240 is applicable.



ELECTRICAL INSTALLATION

WARNING

The following are specific requirements for proper and safe electrical installation of your dryer. Failure to follow these instructions can create electrical shock and/or fire hazard.

ELECTRIC DRYER (GDE450AW/CGDE450AW)

Grounding Instructions

This appliance must be grounded. In the event of malfunction or breakdown, grounding will reduce the risk of electric shock by providing a path of least resistance for electric current. This appliance is equipped with a cord having an equipment-grounding conductor and a grounding plug. The plug must be plugged into an appropriate outlet that is properly installed and grounded in accordance with all local codes and ordinances. This appliance must be connected to a grounded metal, permanent wiring system or an equipment-grounding conductor must be run with the circuit conductors and connected to the equipment-grounding terminal or lead on the appliances.

1. This appliance must be properly grounded. Electrical shock can result if the dryer is not properly grounded. Follow the instructions in this manual for proper grounding.
2. Do not use an extension cord with this dryer. Some extension cords are not designed to withstand the amounts of electrical current this dryer utilizes and can melt, creating electric shock and/or fire hazard. Locate the dryer within reach of the receptacle for the length power cord to be purchased, allowing some slack in the cord. Refer to the electrical requirements in this manual for the proper power cord to be purchased.
3. A UL approved strain relief must be installed onto power cord. If the strain relief is not attached, the cord can be pulled out of the dryer and can be cut by any movement of the cord, resulting in electrical shock.
4. Do not use an aluminum wire receptacle with copper-wired power cord and plug (or vice versa). A chemical reaction occurs between copper and aluminum and can cause electrical shorts. The proper wiring and receptacle is a copper-wired power cord with a copper-wired receptacle.

Note: Dryers operating on 208 Volt power supply will have longer drying times than operation on 240 Volt power supply.

WARNING: Improper connection of the equipment grounding conductor can result in a risk of electrical shock. Check with a licensed electrician if you are in doubt as to whether the appliance is properly grounded.



GAS DRYER (GDG450AW)

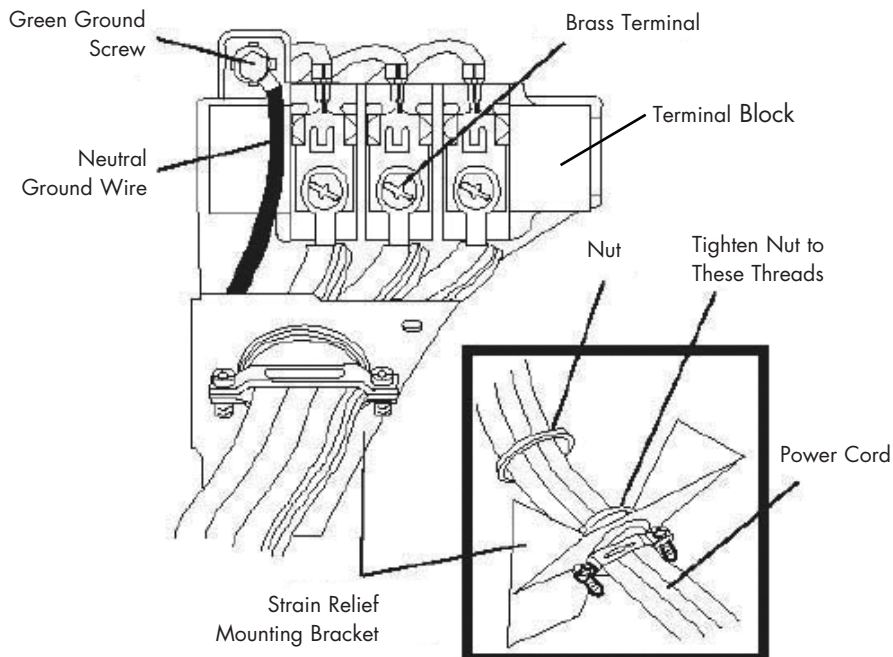
1. Gas dryers are equipped with a factory installed three-prong 15 Amps ~120 Volts (grounding) plug for your protection against shock hazard and should be plugged directly into a properly grounded three-prong receptacle. Do not cut or remove the grounding prong from this plug.

ELECTRICAL CONNECTIONS

ELECTRIC DRYER (GDE450AW)

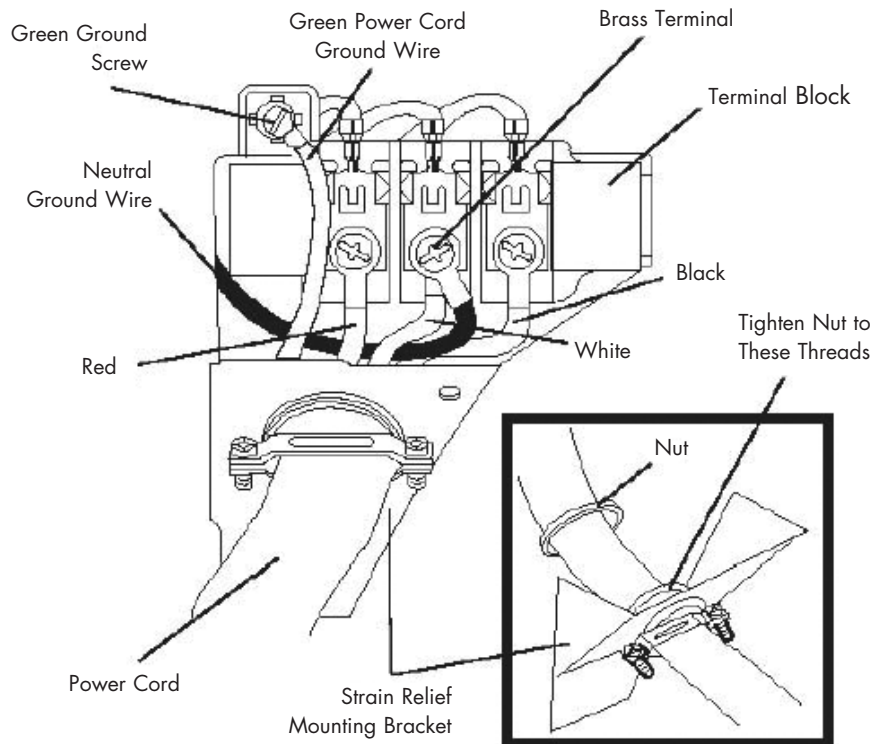
3-Wire Cord Connection (US models only)

1. Remove the screws securing the terminal block access cover and the strain relief mounting bracket located on the back of the dryer's upper corner.
2. Install a UL approved strain relief into the power cord entry hole of the mounting bracket. Finger tighten the nut only at this time.
3. Thread a UL Approved 30 Amp. Power cord, NEMA 10-30 Type SRDT, through the strain relief.
4. Attach the power cord neutral (center wire) conductor to the brass colored center terminal on the terminal block. Tighten the screw securely.
5. Attach the remaining two power cord outer conductors to the outer brass colored terminals on the terminal block. Tighten both screws securely.
WARNING: Do not make a sharp bend or crimp wiring/conductor at connections.
6. Reattach the strain relief mounting bracket to the back of the dryer with two screws. Tighten screws securely.
7. Tighten the screws securing the cord restraint firmly against the power cord.
8. Tighten the strain relief nut securely so that the strain relief does not turn.
9. Reinstall the terminal block cover.

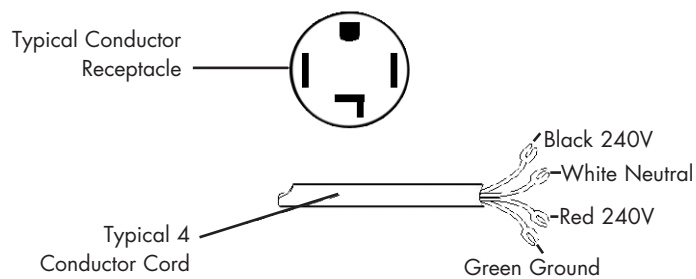


ELECTRIC DRYER (GDE450AW)

4-Wire Cord Connections (US Models Only)



1. Remove the screws securing the terminal block access cover and the strain relief mounting bracket located on the back of the dryer upper corner.
2. Install a UL approved strain relief into the power cord entry hole of the mounting bracket . Finger tighten the nut only at this time.
3. Remove the green neutral ground wire from the green ground screw located above the terminal block.



4. Thread a UL approved 30 Amp power cord. NEMA 14-30 type ST or SRDT through the strain relief.
5. Attach the green power cord ground wire to the cabinet with green ground screw.
6. Attach the white (neutral) power cord conductors and the green ground wire from the dryer harness to the brass-colored center terminal on the terminal block. Tighten the screw securely.
7. Attach the red and black power cord conductors to the outer brass-colored terminals on the terminal block.
WARNING: Do not make a sharp bend or crimp the wiring /conductor at connections.
8. Tighten the screws securing the cord restraint firmly against the power cord.
9. Tighten the strain relief nut securely so that the strain relief does not turn.
10. Reinstall the terminal block cover.

GAS CONNECTIONS

GAS DRYER (GDG450AW)

NOTE: DO NOT connect the dryer to L.P. gas service without converting the gas valve. An L.P. Conversion Kit must be installed by a qualified gas technician.

1. Remove the shipping cap from gas pipe at the rear of the dryer.
2. Connect a 1/2 inch (1.27cm) I.D. semi-rigid or approved pipe from gas supply line to the 3/8 inch (0.96cm) pipe located on the back of the dryer. Use a 1/2 inch to 3/8 inch (1.27cm to 0.96cm) reducer for a connection. Apply an approved thread sealer that is resistant to the corrosive action of liquefied gases on all pipe connections.
3. Open the shutoff valve in the gas supply line.
4. Test all connections by brushing on a soapy water solution. NEVER TEST FOR GAS LEAKS WITH AN OPEN FLAME.
5. Connect the exhaust duct to the outside exhaust system. Use duct tape to seal all joints.
6. With the dryer in its final position, adjust one or more of the legs until the dryer is resting solid on all four legs. Place a level on top of the dryer. THE DRYER MUST BE LEVEL AND RESTING SOLID ON ALL FOUR LEGS.

 **CAUTION**

7. Plug the power cord into a grounded outlet. NOTE: check to ensure power is Off at circuit breaker/fuse box before plugging the power cord into the outlet.

8. Turn on the power at the circuit breaker/fuse box.

Before operating the dryer, make sure the dryer area is clean and free from combustible materials, gasoline, and other flammable vapors. Also see that nothing (such as boxes, clothing, etc.) obstructs the flow of combustion and ventilation air through the louvered panel located on the rear of the dryer.

9. Run the dryer through a cycle check for proper operation.

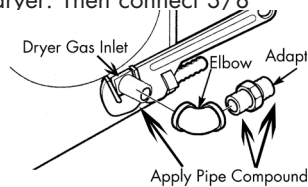
NOTE: On gas dryers, before the burner will light, it is necessary for the gas line to be bled of air. If the burner does not light within 45 seconds the first time the dryer is turned on, the safety switch will shut the burner off. If this happens, turn the dryer to "Off" and wait 5 minutes before making another attempt to light.

NOTE: Follow instructions supplied with kit.

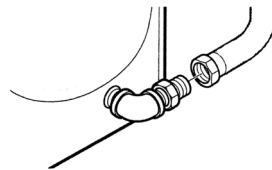
CONNECTING THE DRYER TO THE GAS SUPPLY

- A) Connect female 3/8" NPT elbow to gas inlet on dryer. Then connect 3/8" flare union adapter to female elbow.

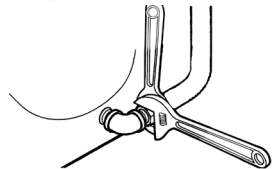
IMPORTANT: To prevent the inlet from twisting, please use a pipe wrench to secure the dryer gas inlet. Affix Teflon® tape or pipe compound to adapter and gas inlet.



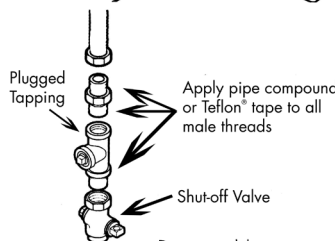
- B) Attach the flexible metal gas line connector to the adapter.



- C) Make sure flexible gas line seal is secure. Use two wrenches for the best possible connection.

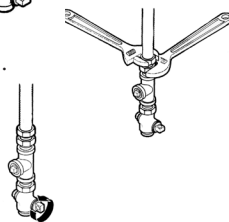


- D) To check gas inlet pressure, attach 1/8" NPT plugged tapping to dryer gas line shut-off valve. Then connect flare union adapter to plugged tapping. Affix Teflon® tape to the threads of the adapter and plugged tapping to ensure seal.



- E) Use two adjustable wrenches to tighten every connection.

IMPORTANT: Do not overtighten!



- F) Open gas shut-off valve.

REPLACEMENT PARTS

Replacement parts and accessories for US and Canada can be purchased through Haier America at 1-800-313-8495

WARNING: Label all wires prior to disconnection when servicing controls. Wiring errors can cause improper and dangerous operation. Check unit for proper operation after servicing.



WARNING: Discard or destroy the carton and plastic bags after the dryer is unpacked. Children should not be allowed to use them to play with. Cartons covered in rugs, bedspreads or plastic sheets can become an airtight chamber and cause suffocation leading to death. Make all packing materials inaccessible to children.



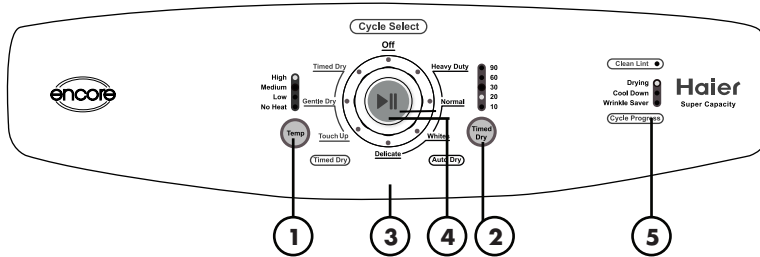
WARNING: The instructions in this manual and all other literature included with this dryer can not cover every possible condition and situation that may occur. Good safe practice and caution must be applied when installing, operating, and maintaining any appliance. If you are in doubt after installing, call a certified electrician to install and wire the dryer.



OPERATING INSTRUCTIONS

To reduce the risk of fire, electric shock, or injury to persons, read all of the **IMPORTANT SAFETY INSTRUCTIONS** before using this appliance.

Understanding the Control Panel



Temp Button: (1)

- Used to set drying temperatures. There are four available drying temperatures to choose from: High, Medium, Low, and No Heat.

Timed Dry: (2)

- Used to set drying time. There are five available drying times to choose from: 10 min., 20 min., 30 min., 60min., 90min.

Cycle Select Dial: (3)

- Select from 4 Auto-Dry cycles (Heavy Duty, Normal, Whites and Delicates), or 3 Time Dry Cycles (Touch up, Gentle Dry, Timed Dry)

		Temp				Timed Dry					Notes
		High	Medium	Low	No Heat	90	60	30	20	10	
Auto Dry	Heavy Dry	●	x	x	x	/	/	/	/	/	Heavyweight material such as jeans or bath towels
	Normal	0	0	0	x	/	/	/	/	/	Normal Drying
	Whites	0	0	0	x	/	/	/	/	/	For whites such as linens and sheets
	Delicates	x	x	●	x	/	/	/	/	/	Drying small quantity clothes and delicate fabric
Timed Dry	Touch Up	0	0	0	x	x	x	x	●	x	Used to select wrinkle-remove function
	Gentle Dry	x	x	0	0	0	0	0	0	0	Air Drying
	Timed Dry	0	0	0	0	0	0	0	0	0	Selecting proper temperature and time for custom drying

● : Only	0: Selectable	X: Cannot be selected	/: No Signal
----------	---------------	-----------------------	--------------

Start/Pause Button (4)

- Push to start after selecting the dry cycle and setting the temperature. Push once to pause. Push again to start after pushing.

Cycle Progress: (5)

- This indicates the process the cycle is currently in. At the end of the dry cycle the dryer will automatically go in the wrinkle saves mode. Here the dryer tub will tumble periodically for 1 hour after the dry cycle is completed. To stop simply open the door and remove the clothes.

Note: Clean lint indicator is just a reminder to clean the lint filter before every use.

PREPARATIONS BEFORE DRYING

- Sort clothes of the same kind (cotton, synthetics, woolen) to dry.
- Dark and light colored clothes should be separately dried. Fabrics prone to losing lint and those prone to adhering lint shall be separately dried. Clothes prone to falling lint should be turned inside out before putting into the dryer.
- Make sure buttons and ornaments on the clothes are high temperature resistant and won't damage drum surface. Before loading, the clothes should have their zippers zipped up, buttons and hooks done up and belts tied so as to avoid entanglement or other obstacles.
- If possible, turn out the clothes pockets for uniform drying.
- Check if clothes remain soiled. If so, wash them again, otherwise soils may be permanently set.
- Small articles should be collected in a mesh bag before loading and drying, so as to avoid entanglement and ensure easy removal.
- Make sure the power socket is reliably grounded. The grounding terminal should not be connected to gas or tap water pipelines.
- Make sure exhaust duct has been properly connected.
- Make sure lint filter is clean and properly installed. If lint filter is not in place, tumbling items could enter the exhaust system and cause damage to the dryer.
Note: Applies to Auto Dry cycle and Timed Dry cycle.

LOAD CLOTHES INTO DRYER

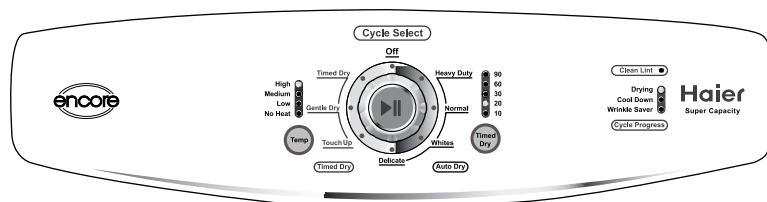
- The appropriate load should be $1/3 \sim 1/2$ of the drum volume. Avoid too much load, as space is needed to allow clothes free rotation for uniform and wrinkle-proof drying.
- When drying big articles, only 2-3 pieces should be loaded at a time and supplemented with small and medium-sized articles.
- For delicate clothes or less load, two towels may be added to get better drying and wrinkle-proof effects.
- Do not excessively dry clothes to avoid wrinkles, shrinkage, roughness, electro-static charge accumulation, and/or more lint.

AUTO DRY CYCLE

1. Turn the knob to any program except "Off" to power on. The control panel will beep once and the dryer will change from "Off" to the operating status.
2. Set the cycle select dial to required auto dry cycle. The temperature level is preprogrammed. To change this setting:
 - Press the "Temp" button to set a suitable drying temperature.
 - There are four available drying temperature: High, Medium, Low, No Heat.
 - "Temp" in the "Heavy Duty" cycle is "High". This can not be changed;
 - "Temp" in the "Normal" cycle can be chosen from "High, Medium, Low";
 - "Temp" in the "Whites" cycle can be chosen from "High, Medium, Low".
 - "Temp" in the "Delicate" cycle is "Low". This can not be changed.
 - Press Start/Pause button.
 - When starting the machine, close the door first, then press this button.
 - If a pause is needed during drying, press this button. Pressing again will resume operation.
 - Regardless of the dryer status (drying, pause or cool down), by turning the dial to "Off" position, the off indicator light will flash for 5 seconds and then the dryer will go into stand by mode. When machine is running, by turning the dial in any direction, the cycle will automatically turn "Off".

Note: To change the cycle press "Start/Pause", turn dial to new selection and press "Start/Pause" again.

TIMED DRY CYCLE



1. Turn the knob to any program except "Off" to power on. The control panel will beep once and the dryer will change from "Off" to the operating status. If Start/Pause button is not pressed five minutes after powering on, the dryer will automatically return to Off status.
 2. Set the cycle select dial to Timed Dry Cycle.
 3. There are 3 preprogrammed times, Timed Dry (5 Settings), Gentle Dry and Touch Up.
 4. Press "Timed Dry" button to set the required drying time; Press "Temp" button to set the required drying temperature. In "Touch Up" cycle only a 20 minutes Timed Dry can be selected. Temp in "Touch Up" cycle is High Medium Low. Temp in "Gentle Dry" cycle is low only.
 5. When starting the machine close the door first, then press the "Start/Pause" button. If a pause is needed during drying, press this button. Pressing again will resume operation.
 6. Regardless of the dryer status (drying, pause or cool down), by turning the dial to "Off" position, the "Off" indicator light will flash for 5 seconds and then go into stand by mode. When the machine is running, turn the dial in any direction, the cycle will automatically turn "Off".
- Note:** To change the cycle press "Start/Pause", turn dial to new selection and press "Start/Pause" again.

Other Features

Your dryer also has the following features for your convenience:

Lint Filter:

- All dryers come with a lint filter that needs to be cleaned before or after every use (read "Care and Cleaning Guide" Section).

Leveling Legs:

- Your dryer has four leveling legs which are located in the front and rear corners of your dryer. After installing your dryer in its final position, you can level your dryer.
- Leveling legs can be adjusted by turning them clockwise to raise your dryer or by turning them counterclockwise to lower your dryer.

End of Cycle Signal:

- At the end of the dry cycle an audible signal will beep to alert you that the dryer has completed drying the load.

Wrinkle Saver:

- At the end of the dry cycle the dryer will automatically go into the wrinkle saver mode. Here the dryer tub will tumble periodically for 1 hour after the dry cycle is completed. To stop simply open the door and remove the clothes.

NORMAL OPERATING SOUNDS

The following sounds are normal during the operation of the dryer.

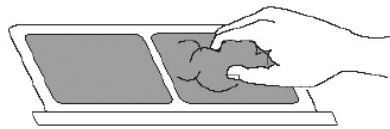
- Tumbling sound: this is normal as the heavy wet clothes in the dryer are continuously being tossed around.
- Air rushing noise: this happens as the dryer drum spins and the air is rushing through the dryer drum.

Tips

- For best drying results, clean the lint filter before or after every use.
- Do not overload the dryer. The appropriate load is 1/3 to 1/2 of the drum volume.
- Balance the dryer load evenly throughout the dryer for the best result.
- Drying time depends on many variables: load size, type of fabric and moisture in it, heat and moisture in the room, electric voltage, length of the exhaust duct, etc.
- To eliminate guessing and to conserve energy, it is recommend for certain clothes to dry on an auto-drying setting.
- Always follow the fabric care instructions supplied by the garment manufacturer.

CARE AND CLEANING GUIDE

- Lint filter needs to be cleaned before or after each use for your unit to operate at optimum efficiency. The filter can be removed by pulling on the tabs located on the inside of the dryer door. The filter may be washed or vacuumed. Remove the excess water from the filter by gently shaking the filter. This will remove dust and particles trapped in the filter. Lint built up in screen will restrict airflows, which causes longer drying times. After cleaning, slide the filter back in place. Do not use your dryer without the lint filter.



Lint Filter

- Do not use any type of spray cleaner when cleaning the interior.
- Hazardous fumes or electric shock could occur. If dryer drum becomes stained, clean the drum with damp cloth. Remove any residue before drying next load.
- Clean the cabinet with mild soap and water. Do not use harsh or abrasive cleaners, as this could damage the dryer.
- Clean the duct and the vent on a regular basis to avoid clogging which could affect the efficiency of the dryer.

TROUBLESHOOTING

Dryer does not operate:

- Check if unit is plugged in. The plug may have come loose.
- Check if the electrical wall receptacle is of proper voltage.
- Check if the circuit breaker needs to be reset, or if the fuse needs to be replaced.
- Check if the unit is in the "Off" mode. Press start button again.
- Check if the door is open.

Dryer is working but not drying the clothes:

- Unit may be overloaded. The dryer drum should be at most half full.
- Check exhaust ducts and vents. Vents should be free of obstruction.
- Check the duct length.
- Duct should be dust - and lint - free, and cleaned regularly.
- Dryer load need to be resorted. Heavy clothes may need to be separated from regular clothes.
- Bulk clothes may require repositioning.
- If the clothes dries unevenly clothes in the dryer need to be resorted.

Dryer makes noise when drying:

- Check for coins, loose change, buttons and other heavy objects that could be causing the noise.
- Dryer may need to be leveled.
- Read operating guide for normal operating sounds.

Static:

- Caused by over drying. Adjust for shorter drying time.
- Sort and separate different fabric.
- Use a fabric softener.

LIMITED WARRANTY

Full ONE Year Warranty

For 12 months from the date of original retail purchase, Haier will repair or replace any part free of charge including labor that fails due to a defect in materials or workmanship.

Second through Fifth Year.

After only year from the original retail purchase date Haier shall provide a part at no cost, as indicated, to replace said part as a result or a defect in materials or workman ship, Haier is solely responsible for the cost of the part. All other costs such as the cost of the part. All other costs such as labor trip charge, etc are the responsibility of the owner. Haier will provide All Parts.

NOTE: This warranty commences on the date the item was purchased and the original purchase receipt must be presented to the authorized service representative before warranty repairs are rendered.

Exceptions: Commercial or Rental Use warranty.

90 days labor from date of original purchase.

90 days parts from date of original purchase
NO OTHER WARRANTY APPLIES.

For Warranty Service

Contact your nearest authorized service center. All service must be performed by a Haier authorized service center. For the name and telephone number of the nearest authorized service center please call 1-877-337-3639.

Before calling please have available the following information:

Model number and serial number of your appliance(found on the rear of the unit on the upper left hand side).

The name and address of the dealer you purchased the unit from and the date of purchase.

A clear description of the problem.

A proof of purchase (sales receipt).

This warranty covers appliances within the continental united States. Puerto Rico and Canada .

What is not covered by this warranty:

Replacement or repair of household fuses, circuit breakers, wiring or plumbing.

A product whose original serial number has been removed or altered.

Any service charges not specifically identified as normal such as normal service area or hours.

Damage to clothing.

Damage incurred in shipping

Damage caused by improper installation or maintenance.

Damage from misuse, abuse accident, fire, flood, or acts of nature.

Damage from service other than on authorized Haier dealer or service center.

Damage from incorrect electrical current, voltage or supply.

Damage resulting from any product modification, alteration or adjustment not authorized by Haier.

Adjustment of consumer operated controls as identified in the owners manual.

Hoses, knobs, lint trays and all attachments, accessories and disposable parts.

Labor, service transportation, and shipping charges for the removal and replacement of defective parts beyond the initial 12-month period.

Damage from other than normal household use.

Any transportation and shipping charges.

THIS LIMITED WARRANTY IS GIVEN IN LIEU OF ALL OTHER WARRANTIES EXPRESSED OR INCLUDING THE WARRANTIES OF MERCHANTABILITY AND FITNESS FOR A PARTICULAR PURPOSE

The remedy provided in this warranty is exclusive and is granted in lieu of all other remedies.

This warranty does not cover incidental or consequential damages so the above limitations may not apply to you .Some states do not allow limitations on how long on implied warranty lasts, so the above limitations may not apply to you.

This warranty gives you specific legal rights, and you may have other rights, which vary, from state to state.

Haier America
New York, NY 10018

TABLE DES MATIÈRES

	PAGE
INSTRUCTIONS IMPORTANTES DE SÉCURITÉ	29-30
INSTRUCTIONS D'INSTALLATION	31-43
Outils et matériaux requis	31
Installations électriques prérequis	31
Déballage de votre sècheuse	32
Exigences du système d'échappement	33
Exigences de l'approvisionnement en gaz	35
L'emplacement de votre sècheuse	36
Instructions pour maison préfabriquée (mobile)	37
Installation électrique	38
Branchement d'un câble à 3 fils	39
Branchement d'un câble à 4 fils	40
Branchement du gaz	41
Pièces de remplacement	43
INSTRUCTIONS D'UTILISATION	44-50
Comprendre le panneau de contrôle	44
Préparations avant le séchage	46
Remplissage de la sècheuse	46
Cycle de séchage automatique	47
Cycle de séchage avec minuterie	48
Autres caractéristiques	49
Sons de fonctionnement normaux	50
Conseils	50
GUIDE D'ENTRETIEN	50
DÉPANNAGE	51
GARANTIE LIMITÉE	52

INSTRUCTIONS IMPORTANTES DE SÉCURITÉ

Avant de commencer l'installation de votre sècheuse, lisez attentivement ces instructions, pour en faciliter l'installation et assurer que la sècheuse est installée correctement et en toute sécurité.

NOTE: Le branchement électrique de la sècheuse doit être conforme aux ordonnances et aux codes locaux et à l'édition la plus récente du National Electrical Code, ANSI / NFPA 70 ou, au Canada, CSA C22.1 du Code canadien de l'électricité Partie 1.

NOTE: Le branchement au gaz de la sècheuse doit être conforme aux ordonnances et aux codes locaux et à l'édition la plus récente du National Fuel Gas Code ANSI Z223.1 ou, au Canada, CAN/CGA B149.1.

NOTE: La sècheuse est conçue sous ANSI Z21.5.1 ou ANSI / UL 2158 - CAN CSA C22.2 n ° 112-97 (éditions les plus récentes) pour utilisation domestique SEULEMENT. Cette sècheuse n'est pas recommandée pour l'usage commercial, tel que les restaurants ou les salons de beauté.

AVERTISSEMENT! Pour votre sécurité, les informations contenues dans ce manuel doivent être suivies pour réduire les risques d'incendie ou d'explosion, et pour prévenir les dommages matériels, les blessures ou même la mort.

Les matériaux combustibles, l'essence et autres liquides et vapeurs inflammables ne doivent être rangés près de la sècheuse.

QUE FAIRE SI VOUS DÉTECTEZ UNE ODEUR DE GAZ

1. N'allumez aucun électroménager
2. Ne touchez pas aux interrupteurs électriques; n'utilisez pas de téléphone dans votre immeuble.
3. Évacuez la pièce, l'immeuble et les environs de tous les occupants
4. Appelez immédiatement votre fournisseur de gaz d'un téléphone voisin. Suivez les directives du fournisseur de gaz.
5. Si vous ne pouvez rejoindre votre fournisseur de gaz, appelez les pompiers

Les installations doivent être effectuées par une personne (contractant, plombier, ou installateur de gaz) qualifiée ou agréée par l'état, la province ou la région où l'appareil est installé.

INSTRUCTIONS IMPORTANTES DE SÉCURITÉ

AVERTISSEMENT – le risque d’incendie, de choc électrique, ou de blessure lors de l’utilisation de votre appareil, suivez les précautions de base, notamment les suivantes :

1. Lire toutes les instructions avant l’utilisation de la sècheuse

2. Ne séchez pas les articles qui ont précédemment trempé, été nettoyés, lavés, ou aspergés d’essence ou d’autres solvants inflammables ou explosifs qui pourraient s’enflammer ou exploser.
3. Ne laissez pas les enfants jouer sur ou dans la sècheuse. Une surveillance adéquate et nécessaire lorsque l’appareil est utilisé près des enfants.
4. Avant de se débarrasser de la sècheuse, enlevez la porte du compartiment de séchage.
5. Ne mettez pas la main dans la sècheuse si le tambour est en mouvement
6. Ne pas installer ou entreposer l’appareil où il serait exposé à l’eau ou aux intempéries.
7. Ne pas modifier les commandes
8. Ne pas réparer ou remplacer une partie de l’appareil à moins d’être recommandé dans les instructions d’entretien que vous aurez comprises et êtes en mesure d’effectuer.
9. Ne pas utiliser d’assouplissants ou de produits anti-statiques à moins d’être recommandé par le fabricant d’assouplissant ou de produit anti statique.
10. Ne pas sécher à haute température les articles ou produits anti statiques à moins d’être recommandé par le fabricant d’assouplissant ou de produit anti-statique
11. Nettoyez le filtre à charpie avant ou après chaque brassée
12. Gardez la région environnante du système d’échappement propre et évitez l’accumulation de charpie, de poussière ou de saleté
13. Gardez la région environnante de la sècheuse propre et exempte de choses qui pourrait entraver le flux de combustion et d’air au travers le panneau à abat-son situé à l’arrière de la sècheuse.
14. L’intérieur de l’appareil et le tuyau d’échappement devraient être nettoyés périodiquement par du personnel qualifié
15. Ne pas mettre d’articles exposés à des huiles de cuisson dans votre sècheuse. Les articles contaminés par l’huile de cuisson peuvent contribuer à une réaction chimique qui pourrait amener votre brassée à s’enflammer.
16. Si le matériel a été utilisé avec des liquides ou des solides

inflammable, il ne devrait pas être utilisé dans la sècheuse avant que toutes traces du liquide et ses émanations aient été enlevées.

17. Cette sècheuse doit être installée correctement et conformément aux instructions d'installation avant de l'utiliser. Voir les instructions de mise à la terre dans la section d'instructions d'installation.
18. La mise à la terre doit être assurée afin de réduire le risque de choc électrique et d'incendie. Consulter un électricien ou personnel qualifié e si vous avez des doutes quant à savoir si la sècheuse est correctement mise à la terre.
19. Utiliser la sècheuse seulement pour le séchage des vêtements.
20. Toujours débrancher la sècheuse avant de tenter sa réparation. Débranchez en tirant sur la fiche et non sur le câble d'alimentation.
21. Remplacez un câble d'alimentation usé et/ou une fiche ébranlée
22. Pour réduire les risques de feu ou de choc électrique, n'utiliser pas de rallonge ou d'adaptateur de fiche pour brancher la sècheuse

CONSERVEZ CES INSTRUCTIONS DANGER

Risque d'enfermer un enfant. Avant de vous débarrasser de votre vieille sècheuse, enlevez la porte de sorte que les enfants de pourront pas y rester coincés.

Merci d'utiliser notre produit Haier. Ce guide d'utilisation simple vous guidera pour faire le meilleur usage de votre sècheuse.

Souvenez-vous d'inscrire le numéro de série et le numéro de modèle de la sècheuse qui se trouvent à l'arrière de celle-ci.

Numéro de modèle

Numéro de série

Date d'achat

Brochez votre reçu à votre guide d'utilisation. Vous en aurez besoin pour avoir accès au service de garantie.

INSTRUCTIONS D'INSTALLATION

PRUDENCE, Risque de feu:

1. L'installation de la sècheuse doit être faite par un installateur qualifié
2. Installez la sècheuse selon les instructions du fabricant et les codes locaux
3. Pour réduire le risque de blessures graves ou de mort, suivre toutes les

CONSERVER CES INSTRUCTIONS

Outils et matériaux requis

- Tournevis plat et étoile
- Pincettes à verrouillage réglable
- Clé ½ pouce
- Un niveau
- Gallon à mesurer (au moins 12 pi.)
- Ruban adhésif à conduits (duct tape)
- Scellant à filet
- Tuyau en métal souple ou rigide de 4 pouce (10.2cm)
- Hotte

AVERTISSEMENT DE SÉCURITÉ:

1. Avant de commencer l'installation, s'assurer que l'interrupteur pour le gaz est bien en position éteinte
2. Tous les anciens conduits et connecteurs de gaz doivent être jetés

INSTALLATIONS ÉLECTRIQUE PRÉREQUISES

Sècheuse électrique: (GDE450AW/CGDE450AW)

Circuit électrique

Circuit individuel de dérivation 30 Amp avec des fusibles à délai ou disjoncteurs 30 Amp. Utilisez des circuits séparés pour la laveuse et la sècheuse, et NE PAS les utiliser sur le même circuit électrique.

Alimentation électrique

Câble à 3 ou 4 fil, 240 Volt, 1 Phase, 60Hz, AC
(Canada - 240 Volt, 1 Phase, 60 Hz, AC)

Filage électrique

(Non fournis lorsque vendu au États-unis. Doit être acheté pour répondre aux codes électriques locaux.) La sècheuse DOIT être munie d'un câble d'alimentation à 3 fils conducteurs NEMA 10-30 de type SRDT, évalué à 240 Volt AC minimum, 30 Amp, avec 3 connecteurs, marqué pour l'utilisation avec une sècheuse. (Lorsque vendue au Canada, le câble d'alimentation à 4 fils est fourni et fixé à la sècheuse.)

Les sècheuses qui sont installées dans une maison préfabriquée (ou mobile) DOIVENT être munies d'un câble d'alimentation à 4 fils conducteurs NEMA 14-30 type SRDT ou ST (dépendamment des exigences) évalué à 240 Volt AC minimum, 30 Amp, avec 3 connecteurs, marqué pour l'utilisation avec une sècheuse. Voir la rubrique de connexions électriques pour plus d'informations sur les systèmes à 4 fils.

Prise de courant

Une prise NEMA 10-30R devrait être localisée de sorte que le fil électrique soit accessible quand la sècheuse est en position installée. (Canada : prise NEMA 12-40R)

INSTALLATIONS ÉLECTRIQUES PRÉREQUISES

Sècheuse au gaz : (GDG450AW)

Circuit électrique

Circuit individuel de dérivation 30 Amp avec des fusibles à délai ou disjoncteurs 30 Amp.

Alimentation électrique

3 fils, 120 volts, 1 phase, 60Hz, AC

Filage électrique

La sècheuse est munie d'un câble 120 volts avec 3 fils.

NOTE: Cette sècheuse est munie avec une fiche à trois broches pour la mise à la terre, pour éviter les chocs électriques et devrait être branché à une prise électrique mise à la terre (à trois trous). La broche de mise à la terre devrait être arrachée ou coupée de la fiche sous aucun prétexte.

Déballage de votre sècheuse

1. Retirez tous les matériaux d'emballage. Cela inclut la base de mousse et tout le ruban adhésif qui fixe les accessoires à l'intérieur comme à l'extérieur de la sècheuse.
2. Inspectez et enlevez tout reste d'emballage, de ruban adhésif ou de documents imprimés avant d'utiliser la sècheuse.

EXIGENCES DU SYSTÈME D'ÉCHAPPEMENT

AVERTISSEMENT

Les exigences suivantes doivent être respectées pour le fonctionnement de votre sècheuse, en toute sécurité. Un non-respect de ces instructions peut engendrer un temps de séchage plus longs et des risques d'incendie.

1. Ne pas utiliser un conduit d'échappement en plastique souple. Un excès de charpie peut s'accumuler à l'intérieur du système d'échappement, créer un risque d'incendie et restreindre la circulation de l'air. Une circulation d'air inadéquate augmente le temps de séchage. Si votre ancien système d'échappement est fait de plastique, remplacez-le avec un conduit en métal souple ou rigide, et s'assurer que le conduit n'a pas d'accumulation de charpie.
2. Le système d'échappement de la sècheuse ne doit pas être évacué dans un conduit de gaz, une cheminée, un mur, un plafond ou autre endroit fermé. Le système d'échappement de la sècheuse doit aller directement à l'extérieur. Sinon, des charpies pourront s'accumuler dans la buanderie. Une accumulation de charpie dans n'importe quel endroit de la maison peut être néfaste sur la santé et peut causer des risques d'incendie.
3. Dépasser les limites de longueur de conduit ou le nombre suggéré de coudes (voir tableau de longueurs maximums) peut causer une accumulation de charpie dans le système d'échappement. Le branchement du système pourrait donc créer des risques d'incendie ou augmenter le temps de séchage.
4. Ne pas mettre de filtre au bout du conduit d'échappement. Les charpies pourraient bloquer le filtre et augmenter le temps de séchage. Utilisez plutôt une hotte approuvée pour envoyer le conduit d'échappement dehors, et bien sceller les joints avec du ruban adhésif (duct tape).
5. Tous les raccords mâles du conduit doivent être installés en aval du courant d'air.
6. Le conduit d'échappement ne doit pas être fixé avec des vis ou tout autre dispositif de fixations qui dépasse à l'intérieur du conduit.
7. Ne laissez pas de matériaux combustibles (vêtements, draperies, papier, etc) entrer en contact avec le système d'échappement.

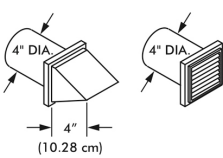
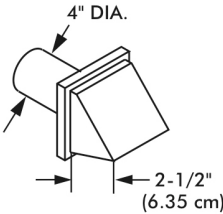
Risque d'explosion ▲

N'installez pas la sècheuse où l'essence ou d'autres substances inflammables sont entreposées. Si la sècheuse est installée dans un garage, il faut la surélever d'au moins 18 pouces (45.7cm) du plancher. Omettre de faire cela pourrait entraîner la mort, une explosion, un incendie ou des brûlures.

Le volet de prise d'air doit pouvoir bouger librement. Une orientation verticale du système d'échappement est toutefois acceptable. Certaines circonstances particulières peuvent avoir un effet sur la performance de la sècheuse :

1. Seules des pièces de conduite d'air en métal rigide doivent être utilisées.
2. Une ventilation verticale par le toit peut exposer le système d'échappement à des courants d'air descendants et causer une restriction de la prise d'air.
3. Le passage du système d'échappement par une zone non isolée peut entraîner de la condensation et une accumulation plus rapide de mousse.
4. La compression pour le serrissage du système d'échappement entraînera une restriction de la prise d'air.
5. Au Canada, seules les conduites d'air flexibles en feuilles, le cas échéant, spécifiquement identifiées pour une utilisation avec l'appareil par le fabricant, doivent être utilisées. Aux États-Unis, seules les conduites d'air flexibles en feuilles, le cas échéant, spécifiquement identifiées pour une utilisation avec l'appareil par le fabricant et conformes à la description de la UL relative aux conduites de transition de sècheuses à linge, sujet 2158A (2006), doivent être utilisées.
6. Au Canada, les conduites d'échappement doivent avoir un diamètre de 102 mm. Aux États-Unis, le diamètre de conduite d'échappement requis.
7. La longueur totale de la conduite en métal flexible ne doit pas excéder 2,4 m.

Le système d'échappement doit être inspecté et nettoyé au minimum tous les 12 mois dans des conditions d'utilisation normale. Plus l'utilisation de la sècheuse est fréquente, plus souvent vous devriez vérifier le fonctionnement du système d'échappement et de la mitre d'échappement.

MAXIMUM RECOMMANDÉ		
Types de mitre d'échappement		
	Recommandé	Utiliser uniquement pour les installations courtes
		
Quantité de coudes 90°	Métal rigide	Métal rigide
0	90 pi.	60 pi.
1	60 pi.	45 pi.
2	45 pi.	35 pi.
3	35 pi.	25 pi.

Remarque: L'échappement correspond au retrait de l'air humide du compartiment de séchage.

EXIGENCES DE L'APPROVISIONNEMENT EN GAZ

AVERTISSEMENT

Remplacez les tuyaux de cuivre qui ne sont pas recouvert de plastique. Les tuyaux utilisés DOIVENT être fait de cuivre plastifié ou d'acier inoxydable.

1. L'installation DOIT être conforme aux codes locaux. S'il n'y a pas de codes locaux, l'installation doit être conforme au National Fuel Gas Code ANSI Z223.1 (dernière édition) ou au Canada, CAN/CGA B149.1 (dernière édition)
2. Le tuyau d'approvisionnement en gaz devrait avoir un diamètre de ½ pouce (1.27cm).
3. Si les codes le permettent, un tuyau de métal flexible peut être utilisé pour brancher la sécheuse à l'approvisionnement en gaz. Le tuyau DOIT être fait de cuivre plastifié ou d'acier inoxydable.
4. L'approvisionnement en gaz doit être muni d'une valve d'arrêt manuel installée à un maximum de 6 pieds (183cm) de la sécheuse, conforme au National Fuel Gas Code, ANSI Z223.1/NFPA 54.

Au Canada, une valve d'arrêt manuel doit être installé conformément au code B149.1 du Code d'installation de gaz naturel et propane

5. Un N.P.T de 1/8 de pouce (0.32cm) doit être installé directement en amont de la connexion de l'approvisionnement en gaz de la sécheuse, et accessible pour la vérification.
6. La sécheuse DOIT être débranchée de l'approvisionnement en gaz durant les vérifications de pression dans les lignes de gaz lorsque les tests sont d'une pression égale ou inférieure à ½ psig (3.45 kPa).
7. La sécheuse DOIT être isolée du système d'approvisionnement en gaz durant les vérification de pression dans les lignes de gaz lorsque les tests sont d'une pression égale ou inférieure à ½ psig (3.45kPa).

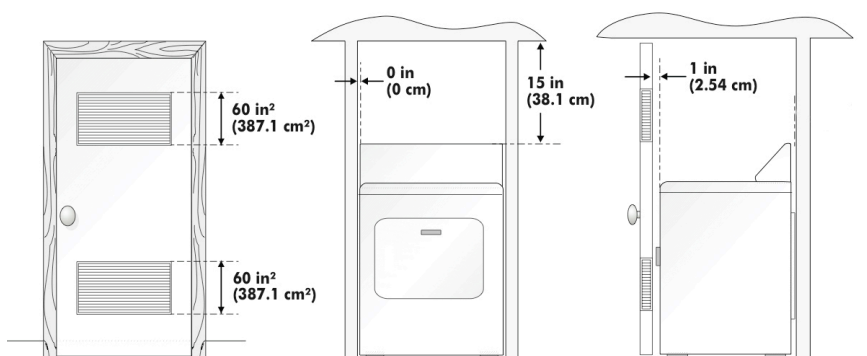
L'EMPLACEMENT DE VOTRE SÈCHEUSE

N'installez pas votre sècheuse :

1. À un endroit exposé à un écoulement d'eau ou aux intempéries.
2. À un endroit où elle pourrait entrer en contact avec des rideaux, des tapis épais ou quoique ce soit qui pourrait obstruer les système de ventilation de la sècheuse
3. Sur le tapis, le plancher doit être solide et ne devrait pas avoir une pente de plus que 1 pouce (2.54cm). Toute inégalité du plancher devrait être corrigée à l'aide des dispositifs de mise à niveau situés sous la sècheuse.

Installation dans une alcôve ou un placard

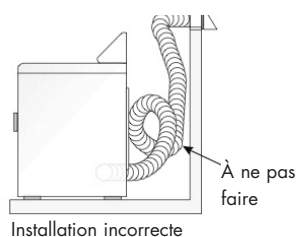
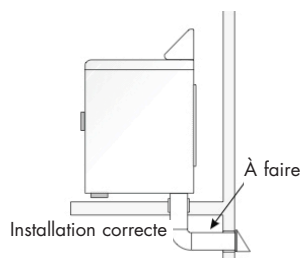
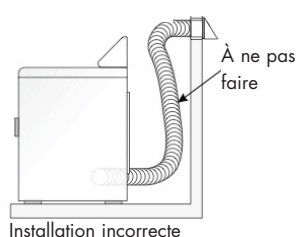
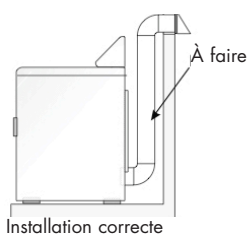
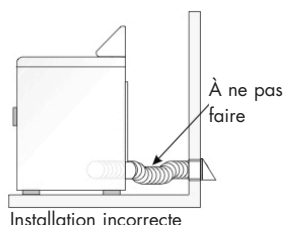
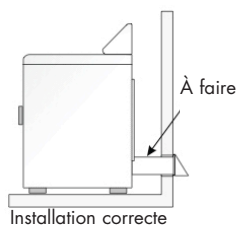
1. N'INSTALLEZ PAS votre sècheuse dans un placard avec une porte solide
2. Une sècheuse installée dans une chambre à coucher, une salle de bain, une alcôve ou un placard DOIT avoir un système d'échappement qui sort directement dehors.
3. Aucun autre appareil qui effectue une combustion ne doit être installé dans le même placard qu'une sècheuse au gaz
4. Référez-vous au dessins sur cette page pour vous assurez que l'installation ait l'espace pour le dégagement requis au tour de la sècheuse pour la ventilation
5. Lorsque vous installez une sècheuse dans un placard avec une porte, un minimum de 120 pouces carrés (774.2 cm carrés) de ventilation est nécessaire. Les ouvertures doivent être égales au haut et au bas de la porte et ne doivent pas être obstruées. Une porte à abat-son avec une ouverture équivalente pour la longueur de la porte est acceptable.



Porte du placard

INSTALLATION DANS UNE MAISON PRÉFABRIQUÉE (MOBILE)

1. La sècheuse doit avoir un système d'échappement qui sort directement dehors (et non pas sous la maison) avec un tuyau de métal qui supportera pas la combustion. Le tuyau de métal doit avoir un diamètre de 4 pouces (10.16cm) et ne doit pas être obstrué. De préférence, le tuyau serait de métal rigide
2. Si le système d'échappement passe par le plancher et le vide sanitaire et que celui-ci n'est pas aéré, les system s'échappement DOIT aboutir dehors avec la fin fixée solidement à la structure de la maison
3. Lorsque vous installez une sècheuse au gaz dans une maison mobile, une provision d'air doit être faite, et ne devrait pas être plus petite que 2 fois la région de la sortie de la sècheuse
4. Cette sècheuse DOIT être fixée au sol, utilisant la trousse d'installation P/N 0030807899 pour maison mobile. Suivez les instructions fournies avec la trousse.
5. Référez-vous aux sections précédentes pour d'autres informations importantes sur la ventilation.
6. L'installation doit être conforme à la plus récente version du Manufactured Home Construction & Safety Standard (qui constitue un règlement fédéral, titre 24 CFR-Part 32-80) ou lorsque non disponible, au American National Standard for Mobile Homes. Au Canada, le CSA Z240 est applicable.



INSTALLATION ÉLECTRIQUE

AVERTISSEMENT

Les exigences suivantes doivent être respectées pour une installation électrique sécuritaire et correcte. Le non-respect de ces instructions peut provoquer des chocs électriques et / ou risques d'incendie.

SÉCHEUSE ÉLECTRIQUE (GDE450AW/CGDE450AW)

1. Cet appareil doit être mis à la terre correctement. Les chocs électriques peuvent subvenir si la sècheuse n'est pas mise à la terre correctement. Suivez les instructions dans ce manuel pour faire une mise à la terre correcte.
2. N'utilisez pas de rallonge avec cette sècheuse. Certaines rallonges ne sont pas conçues pour résister à la quantité de courant utilisé par une sècheuse et peuvent fondre, créant ainsi des risques de chocs électriques ou d'incendie. Installez la sècheuse à portée d'une prise de courant. Référez-vous au prérequis électriques de ce manuel pour acheter le bon fil électrique.
3. Un passe-fils approuvé par UL doit être installé sur le fil électrique. S'il n'est pas installé, le fil peut être sortie de la sècheuse et résulter en choc électrique.
4. N'utilisez pas une prise de courant d'aluminium avec une fiche et un fil électrique de cuivre (ou vice versa). Une réaction chimique entre l'aluminium et le cuivre peut causer des courts-circuits. Le branchement correct est un filage et d'une fiche de cuivre dans une prise de cuivre.

Note: Les sècheuse sur un branchement de 208 volts on un encore un temps de séchage plus élevés que celles sur un branchement de 240 volts.

AVERTISSEMENT: Un branchement mis à la terre incorrect peut résulter en chocs électriques. Demandez à un électricien si vous êtes en doute.

SÉCHEUSE AU GAZ (RDG350AW)

1. Les sècheuses au gaz sont munies d'une fiche à trois broches 15 Amp ~ 120 volts installée en usine (pour mise à la terre) pour votre protection contre les chocs électrique. La fiche devrait être branchée directement dans une prise de courant adéquate Ne jamais couper ou ôter la broche de mise à la terre.

BRANCHEMENT ÉLECTRIQUE

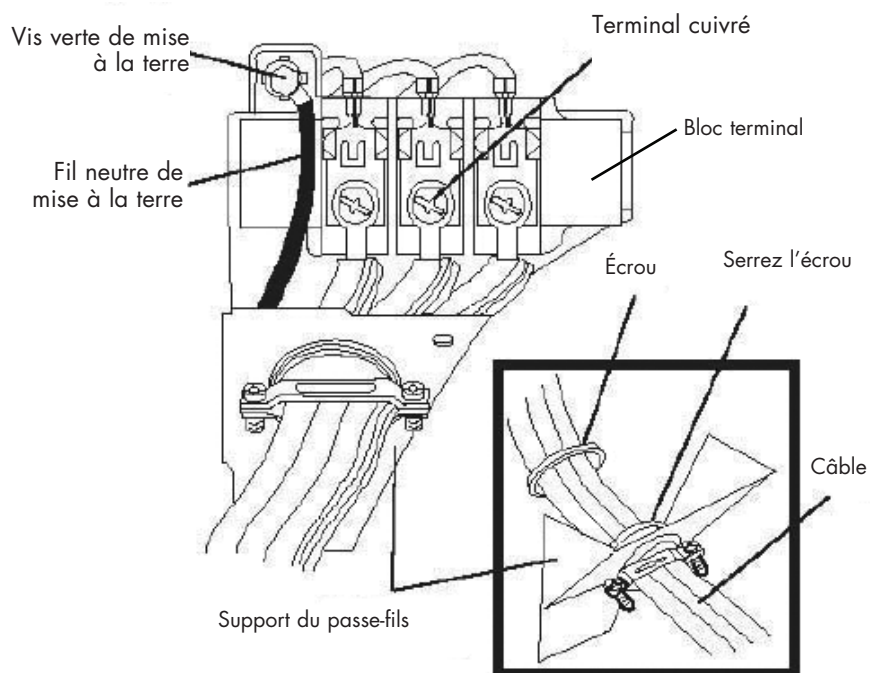
Sécheuse électrique (GDE450AW)

Branchement avec câble à 3-fils (modèles américains seulement)

1. Enlevez les vis fixant la couverture d'accès du bloc terminal et le support de passe-fils situés sur le dos du coin supérieur de la sécheuse.
2. Installez un passe-fils approuvé par UL sur le trou duquel sort le câble. Ne resserrez l'écrou qu'à la main pour le moment.
3. Filetez un câble de 30 Amp approuvé par UL, NEMA 10-30 de type SRDT, par le passe-fils.
4. Attachez le fil neutre du câble (fil central) au terminal cuivré du bloc terminal. Bien visser les vis.
5. Attachez les deux fils conducteurs restants deux terminaux cuivrés aux extrémités du bloc terminal. Bien visser les deux vis.

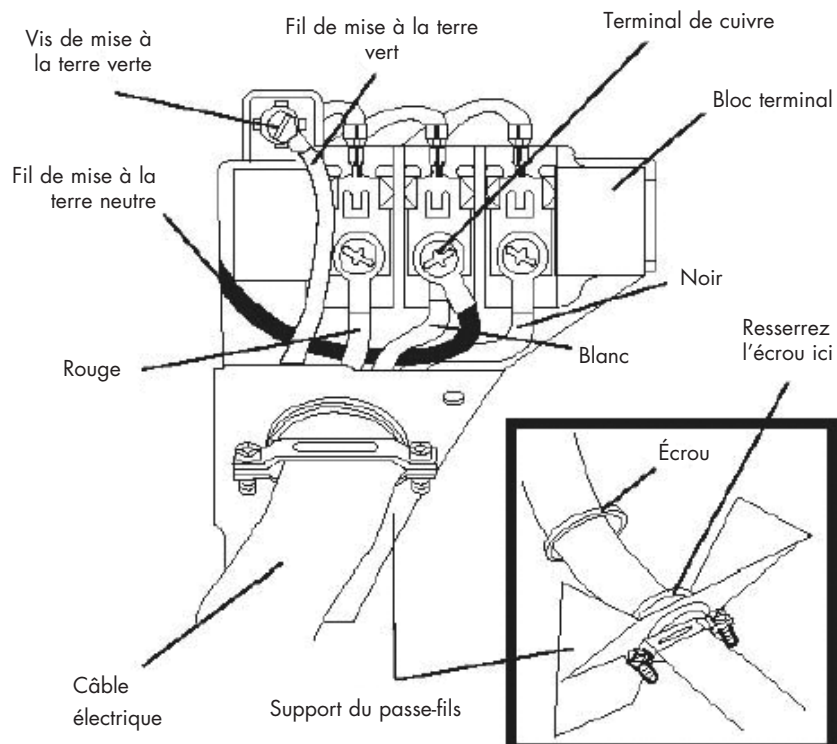
AVERTISSEMENT: Ne pas plier les fils; plutôt les enrouler autour de la vis.

6. Rattachez le support du passe-fils à l'arrière de la sécheuse avec deux vis. Bien visser.
7. Vissez les vis qui retiennent le câble.
8. Vissez le passe-fils de sorte qu'il ne bouge pas.
9. Réinstallez la couverture d'accès du bloc terminal

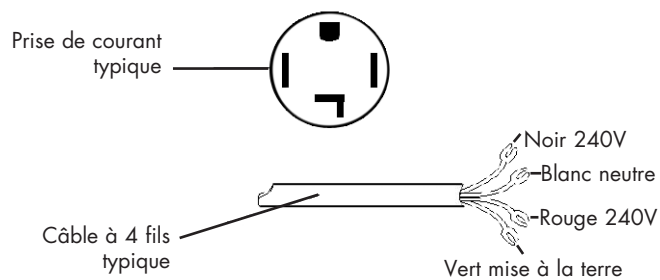


Sécheuse Électrique (GDE450AW)

Branchement à câble à 4 fils (modèles américains seulement)



1. Enlevez les vis fixant la couverture d'accès du bloc terminal et le support de passe-fils situés sur le dos du coin supérieur de la sécheuse.
2. Installez un passe-fils approuvé par UL sur le trou duquel sort le câble. Ne resserrez l'écrou qu'à la main pour le moment.
3. Retirez le fil de mise à la terre vert de la vis de mise à la terre situé au haut du bloc terminal
4. Filetez un câble de 30 Amp approuvé par UL, NEMA 10-30 de type SRDT, par le passe-fils.



5. Attachez le fil vert de mise à la terre au cabinet de la vis verte de mise à la terre
6. Attachez le fil blanc (neutre) au fil externe et le fil de mise à la terre neutre au terminal cuivré du centre sur le bloc terminal. Bien visser.
7. Attachez le fil noir et le fil rouge aux terminaux cuivrés de part et d'autre du fil blanc sur le bloc terminal.

AVERTISSEMENT: Ne pas plier les fils; plutôt les enrouler autour de la vis

8. Vissez les vis qui retiennent le câble.
9. Vissez le passe-fils de sorte qu'il ne bouge pas.
10. Réinstallez la couverture d'accès du bloc terminal

BRANCHEMENT AU GAZ

Sécheuse au gaz (GDG450AW)

NOTE: NE PAS brancher la sécheuse à un service d'approvisionnement en gaz LP sans convertir la valve. Une trousse de conversion LP doit être installée par un technicien qualifié.

1. Retirez le bouchon d'expédition à l'arrière de la sécheuse
2. Branchez un tuyau semi-rigide ou approuvé de ½ pouce (1.27cm) de la ligne de gaz au tuyau de 3/8 de pouce (0.96cm) à l'arrière de la sécheuse. Utilisez un réducteur 1/2 à 3/8 de pouce (1.27cm à 0.96cm) pour le raccordement. Utilisez du scellant à filet approuvé qui résiste à la corrosion causée par les gazes liquéfiés à tous les raccordements.
3. Ouvrez la valve d'arrêt manuel de la ligne de gaz
4. Testez tous les raccordements avec une solution d'eau savonneuse pour s'assurer de leur étanchéité. NE JAMAIS CHERCHER LES FUITES DE GAZ À L'AIDE D'UNE FLAME.
5. Connectez le tuyau d'échappement au système d'échappement et utilisez du ruban adhésif (duct tape) pour sceller tous les joints.
6. Mettez la sécheuse à l'endroit désirer et ajustez pour que les 4 pattes touchent par terre. Mettre au niveau. LA SÉCHEUSE DOIT ÊTRE AU NIVEAU ET BIEN SUR SES 4 PATTES.
7. Branchez la fiche électrique dans la prise mise à la terre. N.B. : S'assurer que le disjoncteur est éteint avant d'effectuer le branchement.
8. Allumez le disjoncteur.

ATTENTION: Avant de mettre la sécheuse en marche, assurez-vous que l'environnement immédiat de la sécheuse est exempt de tout matériau combustible, gaz, ou autres vapeurs inflammables. Assurez-vous aussi que rien ne bouche le trou de ventilation à l'arrière de la sécheuse.

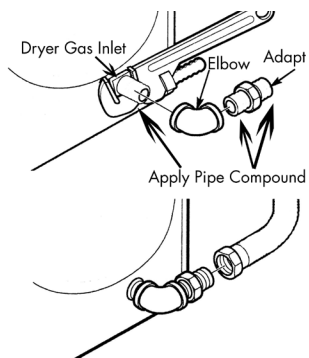
9. Mettre la sécheuse en marche pour s'assurer de son bon fonctionnement.

NOTE: Pour les sécheuses au gaz, il est nécessaire de le tuyau se vide de son air avant de pouvoir s'allumer. Si le brûleur ne s'allume pas dans les 45 secondes suivant la première mise en marche de l'appareil, l'interrupteur de sûreté l'éteindra. Si cela se produit, arrêtez la sécheuse et attendez 5 minutes avant d'essayer de nouveau.

NOTE: Suivez les instructions fournies avec la trousse

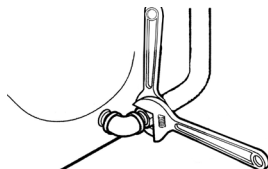
BRANCHEMENT DE LA SÉCHEUSE À L'APPROVISIONNEMENT EN GAZ

A) Connectez le coude 3/8" NPT femelle à l'entrée de gaz de la sècheuse. Connectez ensuite l'adaptateur arrondi au coude femelle.



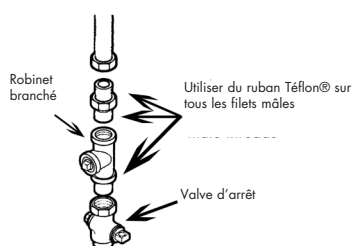
IMPORTANT: Pour empêcher l'entrée de gaz de se tordre, utilisez une clé à tuyau pour bien fixer l'entrée de gaz de la sècheuse. Utilisez du ruban Teflon® ou appliquez du scellant à tuyau à l'adaptateur et à l'entrée de gaz.

B) Fixez le connecteur de la ligne de gaz en métal flexible à l'adaptateur.

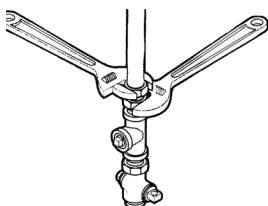


C) Assurez-vous de l'étanchéité du raccord de la ligne de gaz flexible. Utilisez deux clés pour bien visser.

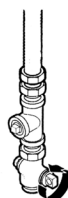
D) Pour vérifier la pression à l'entrée de gaz, fixez un robinet branché de 1/8" NPT à la valve d'arrêt manuel de la ligne d'approvisionnement en gaz. Fixez un adaptateur arrondi au robinet. Utilisez du ruban Teflon® sur le raccord de l'adaptateur et du robinet pour assurer l'étanchéité.



E) Utilisez 2 clés ajustables pour bien visser tout les raccords, en prenant soin de ne pas TROP visser.



F) Ouvrir la valve d'arrête de la ligne de gaz.



PIÈCES DE REMPLACEMENT

Les pièces de remplacement et les accessoires pour les États-unis et le Canada peuvent être commandés en appelant Haier America au 1-800-313-8495

ATTENTION: Étiquetez tous les fils avant de débrancher pour l'entretien. Des erreurs de filage peuvent engendrer un fonctionnement incorrect ou dangereux. Bien vérifier les branchements après l'entretien de l'appareil

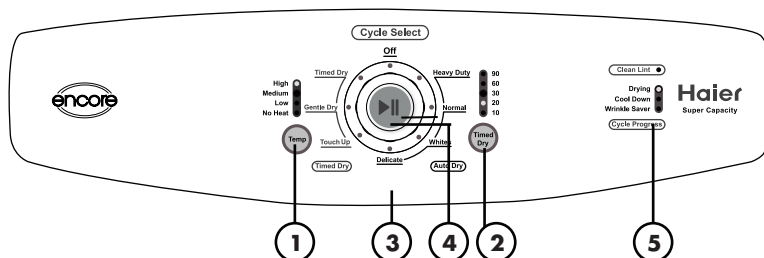
AVERTISSEMENT: Jetez les cartons et les sacs de plastique après avoir déballé la sècheuse. Les enfants ne devraient pas jouer avec. Les cartons recouverts de tapis, couvertures ou de feuilles de plastique peuvent causer la suffocation et entraîner la mort. Assurez-vous que tous les déchets d'emballage sont hors de la portée des enfants.

AVERTISSEMENT: Les instructions dans ce guide et les autres documents fournis avec la sècheuse ne peuvent prévoir toutes les situations possibles. Un usage de bon sens est nécessaire durant l'installation, opération et l'entretien de l'appareil. Dans le doute, consultez un électricien qualifié pour installer le filage de la sècheuse.

INSTRUCTIONS D'UTILISATION

Afin de réduire les risques d'incendie, de choc électrique ou de blessures, lisez les **CONSIGNES DE SÉCURITÉ IMPORTANTES** avant d'utiliser cet appareil.

Tableau de commande



Bouton Temp: (1)

- Utilisé pour régler les températures de séchage. Quatre températures de séchage sont disponibles : High, Med, Low, and No Heat (Élevée, Moyenne, Basse, Pas de chaleur).

Bouton Timed Dry (Séchage minuté): (2)

- Utilisé pour régler la durée de séchage. Cinq durées de séchage sont disponibles.
10 min., 20 min., 30 min., 60min., 90min.

Cycle Select Dial (Cadran de sélection de cycle): (3)

- Sélectionnez à partir des 4 cycles de séchage automatique (Heavy Duty, Normal, Whites et Delicates / Charge lourde, Normal, Blancs et Délicats) ou les 3 cycles de séchage minuté (Touch up, Gentle Dry, Timed Dry / Retouche, Séchage léger, Séchage minuté)

		Temp				Séchage minuté					Remarques
		Élevée	Moyenne	Basse	Pas de chaleur	90	60	30	20	10	
Séchage automatique	Charge lourde	•	X	X	X	/	/	/	/	/	Pour des matériaux lourds tels que les jeans et les serviettes de bain
	Normal	0	0	0	X	/	/	/	/	/	Séchage normal
	Blancs	0	0	0	X	/	/	/	/	/	Pour les tissus blancs tels que le linge et les draps
	Délicats	X	X	•	X	/	/	/	/	/	Séchage de petite quantité de vêtements ou de tissus délicats
Séchage minuté	Retouche	0	0	0	X	X	X	X	•	X	Utilisé pour sélectionner la fonction de défroissage
	Séchage léger	X	X	0	0	0	0	0	0	0	Séchage à l'air
	Séchage minuté	0	0	0	0	0	0	0	0	0	Sélection de la température et de la durée appropriées pour un séchage sur mesure
• : Seulement		0: Sélection disponible			X: Pas de sélection		/: Pas de signal				

Marche/Arrêt (4)

- Appuyez sur ce bouton après avoir choisi le cycle de séchage et réglé la température. Appuyez de nouveau pour arrêter le séchage. Appuyez à nouveau pour redémarrer le séchage.

Progrès du cycle : (5)

- Cela indique le processus en cours du cycle. À la fin du cycle de séchage, la sècheuse passe automatiquement au mode sans froissage. Ici, le tambour de la sècheuse tourne périodiquement pendant 1 heure lorsque le cycle de séchage est terminé. Pour arrêter cette action, ouvrez la porte et retirez les vêtements.

Remarque : L'indicateur de nettoyage de la mousse est un simple rappel de nettoyer le filtre à mousse avant chaque utilisation.

PRÉPARATIONS AVANT LE SÉCHAGE

- Triez les vêtements par matériel (cotons, synthétiques, tricotés)
- Les couleurs foncées et les couleurs pâles devraient être séchées séparément. Les tissus qui perdent de la charpie et ceux qui les attirent devraient être séchés séparément. Les vêtements qui ont tendance à perdre de la charpie devraient être séchés à l'envers.
- Assurez-vous que les boutons et garnitures résistent à la chaleur et n'abîmeront pas l'intérieur du tambour. Avant de les mettre à la sécheuse, toutes les fermetures éclairées montées, et les boutons, crochets ou ceintures attachés pour éviter que les vêtements deviennent trop mêlés.
- Si possible, sortez les poches de vêtements pour un séchage uniforme.
- Vérifiez que les vêtements ne sont pas tachés. Si c'est le cas, relavez-les, sinon les taches pourraient être permanentes.
- Les petits articles devraient être placés dans un sac en filet pour éviter de se mêler et pour en simplifier la manutention
- Assurez-vous du bon branchement de mise à la terre. Le terminal de mise à la terre ne devrait pas être branché à l'entrée de gaz ou d'eau.
- Assurez-vous du bon branchement du tuyau d'échappement.
- Assurez-vous que le filtre à charpie est propre et bien rangé. Si le filtre n'est pas en place, les vêtements pourraient s'infiltrer dans le système d'échappement de la sécheuse et d'endommager.

NOTE: S'applique aux cycles de séchage automatique et à minuterie

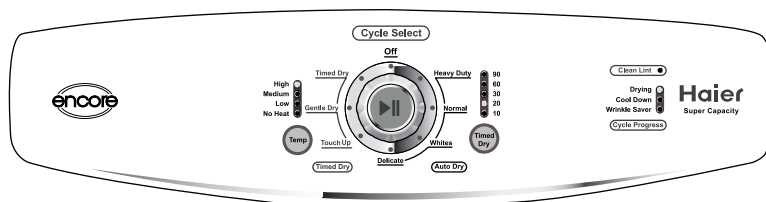
REMPLEISSAGE DE LA SÉCHEUSE

- Une brassée adéquate remplit $1/3 \sim 1/2$ du volume du tambour. Évitez de trop remplir puisque de l'espace est nécessaire pour assurer un bon culbutage et un séchage uniforme et qui défroisse bien.
- Mettez seulement 2 ou 3 gros articles à la fois, et équilibrez la brassée avec des petits et moyens articles
- Pour les vêtements délicats ou pour une petite brassée, 2 serviettes peuvent être ajoutées pour assurer un meilleur séchage.
- Ne séchez pas excessivement les vêtements pour éviter de les froisser, rapetisser, abîmer, de créer un excès d'électricité statique ou de charpies.

SÉCHAGE AUTOMATIQUE

1. Placez le bouton sur n'importe quel programme à l'exception de « OFF (Arrêt) » pour mettre la sécheuse en marche. Le tableau de commande émet alors un bip et la sécheuse passe du statut d'arrêt au statut de fonctionnement.
 2. Réglez le cadran de sélection de cycle au cycle de séchage automatique requis. Le degré de la température est programmé à l'avance. Pour modifier ce réglage :
 - Appuyez sur le bouton « Temp » pour régler la température de séchage convenable.
 - Quatre températures de séchage sont disponibles : High, Medium, Low, No Heat (Élevée, Moyenne, Basse, Pas de chaleur).
 - « Temp » au cycle de « Charges lourdes » est à « Élevé ». Ce réglage ne peut être modifié.
 - « Temp » au cycle de « Normal » peut être réglé à « Élevée, Moyenne, Basse ».
 - « Temp » au cycle de « Blancs » peut être réglé à « Élevée, Moyenne, Basse ».
 - « Temp » au cycle de « Délicats » est réglé à « Basse ». Ce réglage ne peut être modifié.
 - Appuyez sur le bouton de marche/arrêt.
 - Pour démarrer l'appareil, fermez d'abord la porte et appuyez ensuite sur ce bouton.
 - Si une pause est requise pendant le séchage, appuyez sur ce bouton. Appuyez de nouveau sur ce bouton pour poursuivre le séchage.
 - Peu importe le statut de la sécheuse (séchage, pause ou refroidissement), lorsque le cadran est placé à la position « Off (Arrêt) », le voyant lumineux clignote pendant 5 secondes et la sécheuse passe au mode d'attente. Lorsque la sécheuse est en marche et que le cadran est tourné dans une direction, le cycle passe automatiquement à « Off (Arrêt) ».
- Note:** To change the cycle press "Start/Pause", turn dial to new selection and press "Start/Pause" again.

SÉCHAGE MINUTÉ



1. Placez le bouton sur n'importe quel programme à l'exception de « OFF (Arrêt) » pour mettre la sècheuse en marche. Le tableau de commande émet alors un bip et la sècheuse passe du statut d'arrêt au statut de fonctionnement. Si le bouton de mise en marche/arrêt n'est pas activé au cours des cinq premières minutes après la mise en marche, la sècheuse passe alors automatiquement au statut d'arrêt.
2. Réglez le cadran de sélection de cycle au cycle de séchage minuté.
3. Trois durées sont programmées à l'avance : Timed Dry / Séchage minuté (5 réglages), Gentle Dry (Séchage léger) et Touch Up (Retouche).
4. Appuyez sur le bouton « Timed Dry (Séchage minuté) » pour régler la durée de séchage;
Appuyez sur le bouton « Temp » pour régler la température de séchage requise.
Au cycle « Touch Up (Retouche) », seul un séchage de 20 minutes peut être sélectionné.
« Temp » au cycle « Touch Up (Retouche) » peut être réglé à « Élevée, Moyenne, Basse ».
« Temp » au cycle « Gentle Dry (Séchage léger) » est à « Basse » seulement.
5. Pour démarrer l'appareil, fermez d'abord la porte et appuyez ensuite sur le bouton de mise en marche/arrêt. Si une pause est requise pendant le séchage, appuyez sur ce bouton. Appuyez de nouveau sur ce bouton pour poursuivre le séchage.
6. Peu importe le statut de la sècheuse (séchage, pause ou refroidissement), lorsque le cadran est placé à la position « Off (Arrêt) », le voyant lumineux clignote pendant 5 secondes et la sècheuse passe au mode d'attente. Lorsque la sècheuse est en marche et que le cadran est tourné dans une direction, le cycle passe automatiquement à « Off (Arrêt) ».

Remarque : Pour changer de cycle, appuyez sur le bouton de mise en marche/arrêt, tournez le cadran à une autre sélection et appuyez de nouveau sur le bouton de mise en marche/arrêt.

Autres caractéristiques

Votre sècheuse est aussi munie des caractéristiques suivantes pour votre convenance :

- **Filtre à charpie:**

Toutes les sècheuses sont munies d'un filtre à charpie qui doit être nettoyé après ou avant quand utilisation (lire le guide d'entretien)

- **Pattes de mise à niveau:**

Votre sècheuse est munie de 4 pattes de mise à niveau aux coins avant et arrière de la sècheuse. Après avoir installé votre sècheuse, vous pouvez facilement la mettre au niveau.

Les pattes peuvent être ajustées facilement. Tourner les dans le sens horaire pour soulever votre sècheuse et dans le sens anti-horaire pour la descendre

- **Signal de fin de cycle:**

À la fin du cycle, un signal sonore vous averti qui la sècheuse vient de terminer le séchage d'une brassée.

- **Anti-froissement:**

À la fin du cycle de séchage, la sècheuse tombe en mode anti-froissement automatiquement. Pendant ce mode, la sècheuse culbute périodiquement pendant 1 heure après la fin du cycle de séchage. Pour arrêter la sècheuse, simplement ouvrir la porte et retirer les vêtements

SONS DE FONCTIONNEMENT NORMAUX

Les sons suivants sont normaux pendant le fonctionnement de la sècheuse.

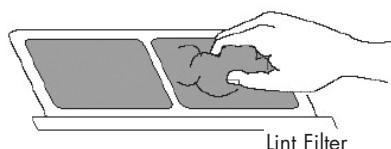
- Son de culbutage : c'est normal dû aux vêtements mouillés qui bougent sans cesse.
- Son de ventilation : c'est normal quand le tambour tourne et de l'air qui est poussée dans le tambour.

Conseils

- Pour un meilleur taux de rendement, nettoyez le filtre à charpie avant ou après chaque usage.
- Ne pas trop remplir la sècheuse.
- Bien équilibrer la brassée dans le tambour pour un séchage uniforme.
- Le temps requis pour sécher dépend de plusieurs facteurs : la grosseur de la brassée, le type de tissu et son taux d'humidité, la température et le taux d'humidité de la buanderie, le voltage électrique, que la longueur du tuyau d'échappement, etc.
- Pour éliminer l'essai erreur et pour conserver l'énergie, il est préférable d'utiliser les cycles automatiques pour certains vêtements.
- Toujours suivre les recommandations inscrites par le fabricant sur l'étiquette du vêtement.

GUIDE D'ENTRETIEN

- Le filtre à charpie doit être nettoyé avant ou après chaque utilisation pour que l'appareil fonctionne à pleine capacité. Le filtre peut être enlevé en tirant sur les languettes situées à l'intérieur de la porte de la sècheuse. Le filtre peut être lavé ou passé à l'aspirateur. Secouez le filtre doucement pour enlever l'excédent d'eau, délogeant ainsi les particules et la poussière. Une accumulation de charpie dans le filtre peut allonger le temps de séchage. Après l'avoir nettoyé, glissez le filtre à sa place. Ne pas faire fonctionner la sècheuse sans le filtre à charpie.



Lint Filter

- N'utilisez pas de nettoyant en aérosol pour nettoyer l'intérieur du tambour.
- Des effluves nocives ou chocs électriques peuvent se produire. Si le tambour devient taché, nettoyez avec un chiffon humide. Enlevez les traces avant la prochaine brassée.
- Lavez l'extérieur de la sècheuse avec un savon doux et de l'eau. N'utilisez pas les produits abrasifs puisqu'ils pourraient endommager la sècheuse.
- Nettoyez le tuyau d'échappement et le clapet régulièrement pour éviter un blocage qui pourrait réduire l'efficacité de la sècheuse.

DÉPANNAGE

La sècheuse ne fonctionne pas:

- Vérifiez que la sècheuse est bien branchée. La fiche peut s'être déprise.
- Vérifiez que la prise est du bon voltage.
- Vérifiez si le fusible a besoin d'être changé ou si le disjoncteur a besoin d'être remis.
- Vérifiez que la sècheuse n'est pas à « OFF ». Appuyez sur « START » de nouveau.
- Vérifiez si la porte est ouverte.

La sècheuse fonctionne mais ne sèche pas :

- Le tambour est peut-être trop plein. Ne pas remplir plus qu'à moitié.
- Les tuyaux d'échappement et les clapets ne doivent pas être obstrués.
- Le tuyau d'échappement doit être nettoyé régulièrement.
- La brassée doit être triée. Retirez quelques vêtements lourds.
- L'amas de vêtements a peut-être besoin d'être mieux répartie.
- Une température plus élevée est peut-être requise, ou les vêtements doivent être mieux répartis si le séchage n'est pas uniforme.

La sècheuse fait du bruit pendant le fonctionnement :

- Vérifiez s'il n'y aurait pas des pièces de monnaie, des boutons ou autre objet lourd qui pourrait causer les bruits.
- La sècheuse a peut-être besoin d'être mise au niveau
- Lire le manuel d'instructions pour identifier les sons normaux.

Électricité statique

- Causée par un temps de séchage trop long. Ajustez le temps de séchage.
- Mélange de tissus synthétiques. Triez la brassée par type de tissu.
- Utiliser un assouplissant.

GARANTIE LIMITÉE

Garantie complète pendant UN an

Pendant 12 mois suivant la date originale de l'achat, Haier s'engage à réparer ou remplacer toute pièce gratuitement, incluant la main-d'œuvre, qui fait défaut suite à un défaut dans les matériaux ou un défaut de fabrication.

Garantie Limitée

Passé un an de la date originale d'achat, Haier s'engage à remplacer toute pièce gratuitement, comme indiqué ci-dessous, si elle fait preuve d'un défaut de fabrication. Haier est responsable du coût de la pièce. Tout autre frais (main-d'œuvre, manutention, etc.) sont la responsabilité du propriétaire de la sècheuse.

Haier remplace toutes les pièces.
Deuxième à cinquième année

N.B. : Cette garantie s'applique dès la date d'achat de l'appareil et le reçu original doit être présenté au personnel de réparations avant que les services de garantie soient effectués.

Exceptions : Garanties commerciales ou sous location.

90 jours de la date originale d'achat pour la main-d'œuvre

90 jours de la date originale d'achat pour les pièces

AUCUNE AUTRE GARANTIE N'EST APPLICABLE

Pour les services de garantie

Contactez votre centre de service autorisé plus proche. Tout service doit être fait par un centre de service autorisé par Haier. Pour le nom et le numéro de téléphone du centre de service autorisé le plus proche, appelez au 1-877-337-3639.

Avant d'appeler, ayez en main les informations suivantes :

Numéro de modèle et numéro de série de votre appareil (se retrouve à l'arrière au coin supérieur gauche).

Le nom et l'adresse du détaillant où vous avez acheté l'appareil, ainsi que la date d'achat
Une description claire du problème.

Une preuve d'achat (le reçu de caisse)

Cette garantie s'applique aux appareils dans les États-Unis continentaux, le Porto Rico et le Canada.

Ce qui n'est pas couvert par la garantie :

Le remplacement ou réparation des fusibles, des disjoncteurs, du câblage ou de la tuyauterie.

Un produit dont le numéro de série original a été enlevé ou altéré.

Tout frais de service hors des heures normales ou de la région couverte.

Domage aux vêtements.

Domage causé par l'expédition.

Domage causé par un manque d'entretien ou une mauvaise installation.

Domage causé par une mauvaise utilisation, abus, accident, feu, inondation ou acte de la nature.

Domage causé par de l'entretien effectué par un détaillant ou un centre de service non autorisé par Haier.

Domage causé par un courant électrique, voltage ou approvisionnement inadéquat.

Domages résultant de toute modification, changement ou ajustement non autorisés par Haier.

L'ajustement des commandes identifié dans le manuel d'instructions.

Les tuyaux, poignées, filtres à charpie ou tout autre accessoire ou pièce jetable.

La main-d'œuvre, le transport et les frais d'expédition pour le remplacement des pièces défectueuses au delà de la période initiale de 12 mois.

Domage causé par autre que l'utilisation normale.

Tous frais de transport et d'expédition.

CETTE GARANTIE LIMITÉE EST DONNÉE AU LIEU DE TOUTES AUTRES GARANTIES EXPRIMÉES OU INCLUANTES LES GARANTIES DE VALEUR MARCHANDE ET REMISE EN FORME POUR UN BUT PARTICULIER.

Le recours prévu dans cette garantie est exclusif et est accordée en lieu et place de tous les autres recours.

Cette garantie ne couvre pas des dommages fortuits ou consécutifs, donc les limitations ci-dessus peuvent ne pas s'appliquer à vous. Quelques états ne permettent pas des limitations sur combien de temps la garantie implicite dure, donc les limitations ci-dessus peuvent ne pas s'appliquer à vous.

Cette garantie vous donne des droits légaux spécifiques, et vous pouvez avoir d'autres droits, qui varient d'état en état.

Haier America
New York, NY 10018

ÍNDICE DE MATERIAS

Página

IMPORTANTES INSTRUCCIONES DE SEGURIDAD	54-56
INSTRUCCIONES DE INSTALACIÓN	57-69
Herramientas y Materiales Necesarios	57
Requisitos Electronicos	59
Requisitos del suministro de gas	61
Ubicación de su secadora	62
Instrucciones para Hogares Fabricados (Casas Móviles)	63
Instalación en Hornacina or armarios.....	64
Conexiones para cables de 3 alambres	65
Conexiones para cables de 4 alambres	66
Conexiones de gas	67
Piezas de repuesto	69
INSTRUCCIONES DE OPERACIÓN	70-76
Entender el panel de manejo.....	70
Preparaciones antes de secar.....	72
Cargar con ropa la secadora.....	72
Ciclo de auto-seco	73
Ciclo de seco temporizado	74
Otras Características	75
Sonidos Normales durante el ciclo.....	76
Sugerencias	76
GUÍA DE LIMPIEZA CUIDADO	76
LOCALIZACIÓN Y RESOLUCIÓN DE PROBLEMAS	77
GARANTÍA LIMITADA	78

IMPORTANTES INSTRUCCIONES DE SEGURIDAD

Antes de comenzar con la instalación, lea estas instrucciones cuidadosamente. Hacerlo simplificará la instalación y asegurará que su secadora esta instalada correctamente y de manera segura.

NOTA: El servicio eléctrico para la secadora debe ir conforme con los códigos y las ordenanzas locales y la edición actual del National Electrical Code [Código Eléctrico Nacional], ANSI/NFPA 70 o en Canadá, CSA C22.1 Parte 1 del Canadian Electrical Code [Código Eléctrico Canadiense].

NOTA: El servicio de gas para la secadora debe ir conforme con los códigos y las ordenanzas locales y la edición actual del National Fuel Gas Code [Código Nacional del Gas Combustible], ANSI Z223.1 o en Canadá, CAN/CBA B149.1.

NOTA: La secadora es diseñada bajo ANSI Z21.2.1 o ANSI/UL 2158-CAN/CSA C22.2 No. 112-97 (ediciones actuales) para USO DE HOGAR SOLAMENTE. Está secadora no se recomienda para usos comerciales así como en restaurantes, salones de belleza, etc.

ADVERTENCIA

Para su seguridad la información en esta guía se debe seguir para reducir el riesgo de explosiones o incendios o para prevenir daños a su propiedad, heridas a su persona o pérdida de vida.

Materiales combustibles, gasolina, y otros vapores y líquidos inflamables no se deben almacenar cerca de la secadora.

QUE HACER SI HUELE GAS

1. No intente encender ningún electrodoméstico.
2. No toque ningún interruptor eléctrico. No use ningún teléfono en su edificio.
3. Saque toda persona del cuarto, edificio, o área.
4. Desde el teléfono de un vecino, llame inmediatamente a su proveedor de gas. Siga las indicaciones del proveedor de gas.
5. Si no se puede comunicar con su proveedor de gas, llame al cuerpo de bomberos.

Instalaciones tienen que ser completadas por un contratista, fontanero, o gasfitero cualificado o licenciado por el estado, la provincia, o la región donde se esté instalando este aparato,

IMPORTANTES INSTRUCCIONES DE SEGURIDAD

ADVERTENCIA: Para reducir el riesgo de incendios, descargas eléctricas, o heridas a personas al usar su aparato, siga las precauciones básicas, incluyendo las siguientes:

1. Lea todas las instrucciones antes de usar este electrodoméstico.
2. No ponga a secar artículos que hayan sido previamente lavados en, limpiados con, sumergidos en, o chispeados con gasolina, solventes de lavado a seco, o otros sub-manchas de materiales inflamables o explosivos ya que emiten vapores que podrían prenderse o explotar.
3. No permita que los niños jueguen encima o dentro del aparato. Supervisión cautelosa de los niños es necesario cuando el aparato esté en uso cerca de ellos.
4. Antes de que el aparato se desheche o se remueva de servicio normal, quite la puerta del compartimiento de secar.
5. No intente poner las manos dentro del aparato si la canasta se está moviendo.
6. No instale ni guarde este aparato donde será expuesta al agua y/o al los elementos.
7. No intente manipular los controles.
8. No intente reparar o reemplazar ninguna parte del aparato ni intente servicios y arreglos a menos que sea específicamente recomendada en las instrucciones de uso y arreglo que Ud. personalmente entienda y tenga la habilidad para desempeñar.
9. No use suavizantes o productos para eliminar estática a menos que sea específicamente recomendada por los fabricantes del suavizante o producto.
10. No use calefacción para secar artículos o productos para eliminar estática a menos que se recomienda específicamente por los fabricantes del suavizante o producto.
11. Limpie la malla de pelusas antes o después de cada colada.
12. Mantenga los alrededores del tubo de escape y el área cercana libre de la acumulación de tierra, polvo, y pelusazas.
13. Mantenga el área alrededor de la secadora despejada y libre de artículos que podrían bloquear la circulación de combustión y la ventilación del aire a través del panel de tablillas.
14. El interior del aparato y el conducto de escape se deben limpiar de vez en cuando por un personal de servicios cualificado.
15. No ponga artículos expuestos a aceites de cocinar dentro de su secadora. Artículos contaminados por aceites de cocinar podrían co

tribuir a reacciones químicas que podrían causar que se encienda la colada de ropa.

16. Si materiales han sido utilizadas con algún líquido o sólido inflamable, no se deben usar dentro de la secadora hasta que todo rastro de líquidos inflamables y sus vapores hayan sido eliminadas.
17. Esta secadora debe ser correctamente instalada de acuerdo con las instrucciones de instalación antes de ser utilizada. Vea las instrucciones de conexión a tierra en las secciones de instalación.
18. Debe asegurarse de una correcta conexión a tierra para reducir el riesgo de descarga eléctrica e incendio. Verifique con un electricista o personal de servicios cualificado si duda que la secadora esté correctamente conectada a tierra.
19. Use la secadora solo por su propósito indicado: secar ropa.
20. Siempre desconecte la secadora de la fuente de electricidad antes de intentar cualquier reparación. Desconecte el cable de alimentación agarrando el enchufe, no el cable.
21. Remplace cables gastados y/o enchufes sueltos.
22. Para reducir el riesgo de descarga eléctrica o incendio, no use cables de extensión o adaptadores para conectar la secadora a fuentes de electricidad.

CONSERVE ESTAS INSTRUCCIONES

PELIGRO

Riesgo de que los niños queden atrapados. Antes de deshacerse de su secadora vieja, quite la puerta para que los niños no puedan quedarse atrapados adentro.

Gracias por usar nuestro producto Haier. Esta guía fácil de usar lo guiará en sacarle el mejor provecho y uso a su secadora.

Recuerde documentar los números de modelo y de serie. Se encuentran en una etiqueta en la parte trasera de la secadora.

Grape su recibo a su guía. Lo necesitará para obtener servicios con la garantía.

Número de modelo

Número de serie

Fecha de compra

INSTRUCCIONES DE INSTALACIÓN

WARNING: Cuidado Riesgo de Incendio:

1. La instalación de la secadora de ropa se debe desempeñar por un instalador cualificado.
2. Instale la secadora de ropa de acuerdo con las instrucciones del fabricante y los códigos locales.
3. Para reducir el riesgo de heridas graves o muerte, siga todas las instrucciones de instalación.

CONSERVE ESTAS INSTRUCCIONES

Herramientas y materiales necesarios

- Destornilladores pico Phillips y Parker (pico-plano)
- Alicates ajustables channel-lock
- Llave inglesa de boca abierta
- Nivelador de carpintero
- Cinta de medidas (12 pies mínimos)
- Cinta adhesiva de tela
- Sellante de roscado Whitworth para tubos
- Conducto de metal de 4 pulgadas (102cm) rígido o flexible.
- Cubierta para rejilla de ventilación.

Advertencia de Seguridad

1. Antes de iniciar la instalación, asegure que la válvula de apagar el gas este en la posición "off", apagada.
2. Todas tuberías de gas y conexiones viejas deben ser desechadas.

REQUISITOS ELÉCTRICOS

Secadora eléctrica: (GDE450AW/CGDE450AW)

Circuito

Circuito derivado individual de 30 Amp fusionado con fusibles con demora de 30 Amp o disyuntor de circuitos. Use circuitos fusionados separados para lavadoras y secadoras, y NO haga andar una lavadora y una secadora en el mismo circuito.

Fuente de Electricidad

3 o 4 alambres, 240 voltios, 1 fase, 60Hz, CA
(Canadá- 240 voltios, 1 fase, 60 Hz, CA)

Equipo de Cable de Alimentación

(No se ofrece cuando la venta es dentro de EEUU. Debe ser comprada para concordar con los códigos eléctricos locales) La secadora TIENE que emplear un cable de alimentación de 3 conductores NEMA 10-30 tipo SRDT clasificada a un mínimo de 240.

Voltios CA, 30 Amp, con tres conectores de argolla de pala boca abierta con puntas hacia arriba o conectores de circuito cerrado y marcadas para uso con secadoras.

(Cuando la venta es dentro de Canadá- cable de alimentación de 4 alambres que viene con la secadora)

Secadores que se instalen en hogares fabricados (casas móviles) TIENEN QUE usar un cable de alimentación de 4 alambres NEMA 14-30 tipo SRDT o ST (como se requiera) clasificada a un mínimo de 240 voltios CA, 30 Amp, con cuatro conectores de argolla de pala boca abierta con puntas hacia arriba o conectores de circuito cerrado y marcadas para uso con secadoras. Vea la sección de conexiones eléctricas para más información sobre un sistema de 4 alambres.

Recipiente Exterior

El recipiente NEMA 10-30R debe ser localizada para que el cable de alimentación sea accesible cuando la secadora esté en la posición instalada. (Canadá- Recipiente NEMA 14-30R)

REQUISITOS ELÉCTRICOS

Secadora de Gas: (GDG450AW)

Circuito

Circuito derivado individual de 15 Amp fusionado con fusibles con máxima demora de 15 Amp o disyuntor de circuitos.

Fuente de electricidad

3 alambres, 120 voltios, 1 fase, 60Hz, CA

Cable de alimentación

La secadora viene con un cable de alimentación de 3 alambres y 120 voltios.

Nota: Esta secadora viene equipada con un enchufe de conexión a tierra de 3 pinzas para su protección contra el peligro de descarga eléctrica y se debe enchufar en una toma apropiadamente conectada a tierra de tres pinzas. Bajo ninguna circunstancia debería cortar o sacar la pinza de conexión a tierra del enchufe.

Desempacar su secadora:

1. Quite todo el material de empaquetamiento. Esto incluye la base de goma espuma y toda la cinta adhesiva que este sujetando los accesorios de la secadora tanto dentro como afuera.
2. Inspeccione y saque todos los restos del envoltorio, cinta adhesiva, o materiales imprimados antes de utilizar la secadora.

REQUISITOS DEL SISTEMA DE ESCAPE DE GAS

ADVERTENCIA

Lo siguiente son requisitos específicos para la operación apropiada y segura de su secadora. El fallar en seguir estas instrucciones podría crear tiempos de secado excesivamente largos y también riesgos de incendio.

1. No use conducto de plástico flexible para escape de la secadora. Pelusa excesiva puede acumularse dentro del sistema de escape y crear riesgos de incendio o restringir que fluya el aire. Esto incrementará el tiempo que se toma en secar la ropa. Si su sistema de escape actual está hecha de conducto plástico o de lámina de metal, replácelo con un conducto de metal rígido o flexible. Asegure que el conducto actual este libre de pelusas antes de instalar el conducto de la secadora.
2. El aire de la secadora no debe expulsarse hacia cualquier rejilla de gas, chimenea, pared, techo, o espacio escondido de un edificio. El sistema de escape de la secadora necesariamente se debe posicionar para expulsar el aire hacia AFUERA. Si los aires de la secadora no se expulsan hacia fuera, algo de pelusas menudas se expulsará al área de lavandería. La acumulación de pelusas en cualquier parte de la casa puede presentar riesgos de incendio y riesgos a la salud.
3. Exceder lo largo de cinta adhesiva de tela o número de codos permitidos el la tabla de "Largo Máximo" puede causar una acumulación de pelusas en el sistema de escape. Trancar es sistema podría crear un riesgo de incendio, y incrementar el tiempo que se tarda para secar la ropa.
4. No ponga mallas en los puntos de expulsión del sistema de escape. La pelusa se puede quedar pegada en la malla e incrementar el tiempo del secado. Use una cubierta de rejilla de ventilación aprobada para dirigir la terminación del conducto hacia afuera, y sella todas la coyunturas con cinta adhesiva de tela.
5. Todos los accesorios de tubos de conducto masculino se deben instalar hacía abajo con la corriente del aire.
6. El conducto de escape so se debe conectar o asegura con tornillos o cualquier otro dispositivo d sujetar que extiendan a la parte de adentro del conducto.
7. No permita que materiales combustibles (ropa, cortinas, papel, etc.) tengan contacto con el sistema de escape.

Explosion hazard:

Do not install the dryer where gasoline or other flammables are kept or stored. If the dryer is installed in a garage, it must be a minimum of 18 inches (45.7cm) above the floor. Failure to do so can result in death, explosion, fire or burns.

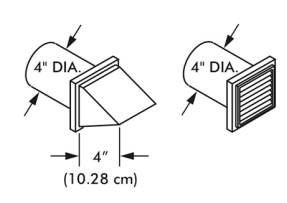
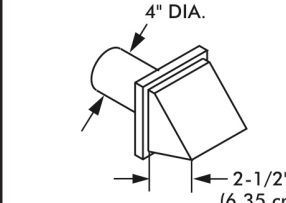
Requisitos del Escape

Use solo conducto de metal flexible o rígido de 4 pulgadas (10.2 cm.) de diámetro y una cubierta de rejilla de ventilación aprobada que tenga una tapa amortiguadora vaivén cuando la secadora esté **en funcionamiento**. Cuando la secadora pare, los amortiguadores paran automáticamente para prevenir corrientes de aire y que entren insectos y roedores. Para evitar restringir el escape, Mantenga un mínimo de 12 pulgadas (30.5 cm.) de espacio claro entre la cubierta de la rejilla de ventilación y el suelo o otra obstrucción. La solapa de la rejilla debe poder moverse libremente, aunque orientación vertical del sistema de escape es aceptable. Ciertas circunstancias extenuantes podrían afectar el funcionamiento de la secadora:

La aleta de ventilación debe poder moverse libremente, aunque la orientación vertical del sistema de salida de emanaciones es aceptable. Determinadas circunstancias pueden afectar el rendimiento de la secadora:

1. Sólo deben usarse tubos de metal rígido.
2. La ventilación vertical a través del techo puede exponer al sistema de salida de emanaciones a corrientes de aire que provoquen un aumento en la restricción a la ventilación.
3. Realizar el tendido del sistema de salida de emanaciones por un área sin aislamiento puede provocar condensación y una acumulación más rápida de pelusas.
4. La compresión de pliegues del sistema de salida de emanaciones provoca un aumento en las restricciones a la ventilación.
5. En Canadá, si es necesario, deben usarse únicamente tubos flexibles del tipo de lámina metálica que el fabricante haya identificado específicamente para ser usados con el artefacto. En los Estados Unidos, si es necesario, deben usarse únicamente tubos flexibles del tipo de lámina metálica que el fabricante haya identificado específicamente para ser usados con el artefacto y que cumplan con los lineamientos de UL en cuanto a Tubos de transición para secadoras de ropa, Tema 2158A (2006).
6. En Canadá, el tubo de salida de emanaciones debe ser de 102mm de diámetro. En los Estados Unidos, el diámetro requerido para el tubo de salida de emanaciones es de
7. El largo total del tubo de metal flexible no debe superar los 2,4m.

Se debe inspeccionar y limpiar el sistema de salida de emanaciones como mínimo cada 12 meses cuando el uso es normal. Cuanto más se utiliza la secadora, con mayor frecuencia se debe revisar el sistema de salida de emanaciones y la cubierta para la ventilación para que el funcionamiento sea correcto.

MÁXIMO RECOMENDADO		
Tipos de cubiertas para salida de emanaciones		
Recomendados	Uso únicamente en instalaciones con recorrido corto	
		
Cantidad de codos a 90°	Metal rígido	Metal rígido
0	90 pies	60 pies
1	60 pies	45 pies
2	45 pies	35 pies
3	35 pies	25 pies

Nota: La salida de emanaciones se refiere a la eliminación de aire húmedo del compartimiento de secado.

REQUISITOS DEL SUMINISTRO DE GAS

ADVERTENCIA: Reemplace tubo de conexión hecho de cobre que no este cubierta con plástico. TIENE que usarse acero inoxidable o latón cubierta con

1. La instalación debe ir conforme con códigos locales. Si no existen tales códigos, instalación debe ser conforme con el código nacional de gases combustibles, ANSI Z223.1 (edición actual) o en Canadá, la CAN/CGA B149.1 actual.
2. La línea de alimentación de gas debe ser un tubo de 1/2 pulgada (1.27 cm.).
3. Si los codos lo permiten, se puede utilizar tubo de metal flexible para conectar su secadora a la línea de alimentación de gas. La tubería tiene que ser hecha de acero inoxidable o latón cubierta con plástico.
4. La línea de alimentación de gas tiene que tener adicionalmente una válvula de cierre manual instalada dentro de 6 pies (183 cm.) de la secadora de acuerdo con el código nacional de gas combustible, ANSI z223.1/NFPA 54.

En Canadá, una válvula individual de cierre manual tiene que ser instalada de acuerdo con el código de instalación de gas natural y propano B149.1.

5. Una roscadora enchufada de 1/8 pulgada (0.32cm) N.P.T, accesible para conexión de indicador a prueba debe ser instalada justo corriente-arriba de la conexión al suministro de gas a la secadora.

- La secadora tiene que estar desconectada de el sistema de tuberías del suministro de gas durante cualquier prueba de presión que se le haga al sistema si esas presiones exceden $\frac{1}{2}$ psig (3.45kPa).
- La secadora tiene que mantenerse aislada del sistema de tuberías del suministro de gas durante cualquier prueba de presiones cuando esas presiones seas iguales o menos de $\frac{1}{2}$ psig (3.45kPa).

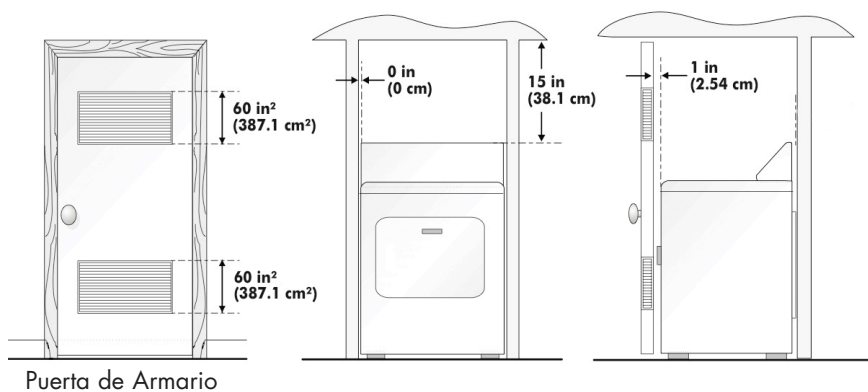
UBICACIÓN DE SU SECADORA

No instale su secadora en:

- Una área expuesta a goteos de agua o a condiciones de tiempo de afuera los elementos.
- Un área donde estará en contacto con cortinas, alfombras pesadas, o cualquier cosa que bloquearía la corriente de combustión y ventilación del aire.
- Encima de alfombras, el suelo debe ser sólido con una inclinación máxima de 1 pulgada (2.54 cm.). Cualquier desnivel del suelo debe corregirse con patas niveladoras localizadas abajo de la secadora.

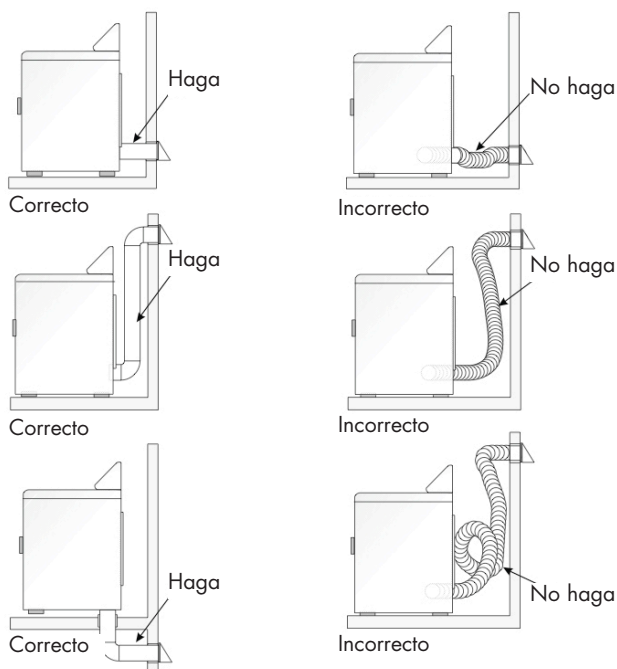
Instalación en hornacina o armario:

- NO instale su secador en un armario con puerta sólida.
- Una secadora instalada en un dormitorio, cuarto de baño, hornacina, o armario TIENE QUE SER ventilada con la expulsión hacia afuera.
- Ningún otro electrodoméstico que utilice combustibles debe ser instalada en el mismo armario que la secadora de gas.
- Refiérase a las imágenes en esta página para asegurar que la instalación permite el espacio mínimo de despeje que se requiere para la ventilación.
- Al instalar la secadora en un armario con puerta, se requiere un mínimo de 120 pulgadas cuadradas (774.2 cm. cuadrados) de ventilación en la puerta. Aperturas deben ser divididas por igual arriba y abajo de la puerta y la corriente de aire debe ser libre. Una puerta de planillas con aperturas de aire equivalentes a lo largo de la puerta es aceptable.



INSTALACIÓN EN HOGARES FABRICADOS (CASAS MÓVILES)

1. La secadora tiene que expulsar el aire hacia afuera (afuera, no debajo de la casa móvil) usando conductos de metal que no soportan combustión. Los conductos tienen que ser de 4 pulgadas en diámetro (10.16 cm.) y sin obstáculo. Se prefiere conducto de metal rígido.
2. Si el aire de la secadora se expulsa a través del suelo y el área debajo de la casa móvil es encerrada, el sistema de escape tiene que terminar fuera de este encierre con la terminación firmemente sujeta a la estructura del hogar fabricado.
3. Al instalar una secadora de gas en un hogar fabricado, hay que hacer provisiones para compensar con aire de afuera. Esta provisión no debe ser menos de dos veces el área de la salida de escape de la secadora.
4. Esta secadora tiene que ser sujeta al suelo con el equipo de instalación de hogares fabricados P/N 0030807899. Siga las instrucciones que vienen en el equipo.
5. Refiérase a otras secciones para otros requisitos de escape de aire importantes.
6. La instalación tiene que ser de acuerdo con el Manufactured Home Construction & Safety Standard [estándar de construcción y seguridad de hogares fabricados] (la cual es una regulación federal título 24 CFR-Parte 32-80) o cuando tal estándar no sea aplicable, con el American National Standard for Mobile Homes [estándar nacional americana para hogares fabricados]. En Canadá, el CSA Z240 aplica.



INSTALACIÓN ELÉCTRICA

ADVERTENCIA

Lo siguiente son requisitos específicos para instalación eléctrica correcto y seguro de su secadora. El no seguir estas instrucciones podría crear descarga eléctrica o riesgo de incendio.

Secadora Eléctrica (GDE450AW/CGDE450AW)

1. Este electrodoméstico debe ir correctamente conectado a tierra. Descarga eléctrica puede resultar si la secadora no esta bien conectada a tierra. Siga las instrucciones en este manual para conexión a tierra correcta.
2. No use cable de extensión con esta secadora. Algunos cables de extensión no están diseñadas para aguantar la cantidad de corriente eléctrica que esta secadora utiliza, y pueden derretirse, creando riesgos de descarga eléctrica o incendio. Ubique la secadora a una distancia regular para el largo del cable que se va a comprar, dejando espacio para que el cable no quede tenso. Refiérase a los requisitos eléctricos en este manual para el tipo apropiado de cable de alimentación que debe comprar.
3. Un relevo de tensión con aprobación UL debe colocarse en el cable de alimentación. Si el relevo de tensión no esta colocada, el cordón se podrá salir de la secadora y ser cortado por cualquier movimiento del cordón, resultando en descarga eléctrica.
4. No use un recipiente de alambres de aluminio con un cable de alimentación de cobre y enchufe (o vise versa). Una reacción química ocurre entre el cobre y el aluminio y puede causar cortocircuito. El recipiente y cableado apropiado es un cable de alimentación de alambres de cobre con un recipiente con alambres de cobre.

NOTA: Secadora funcionando en un suministro de energía de 208 voltios tendrán tiempos de secado más largos que los que funcionen con un suministro de energía de 240 voltios.

ADVERTENCIA: Conexión inapropiada del equipo de conductor de conexión a tierra puede resultar en riesgo de descarga eléctrica. Chequea con un electricista licenciado si tiene dudas sobre si el aparato esta correctamente conectado a tierra.

Secadora de Gas (RDG350AW)

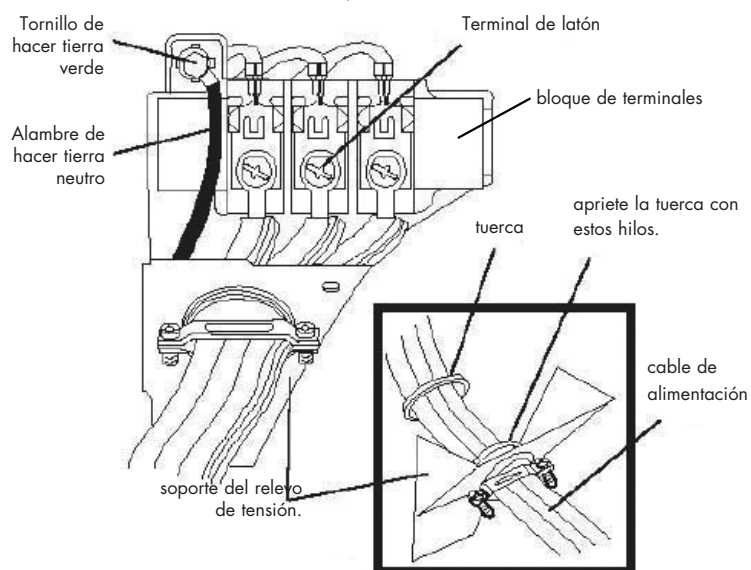
1. Las secadoras de gas vienen equipadas con en enchufe de tres pinzas 15 Amps ~120 voltios (para hacer tierra) instalada por el fabricante para su protección contra peligro de descargas eléctricas, y se debe enchufar directamente en un recipiente de tres pinzas bien conectada a tierra. No corte ni quite la pinza de hacer tierra del enchufe.

CONEXIONES ELÉCTRICAS

Secadora eléctrica (GDE450AW)

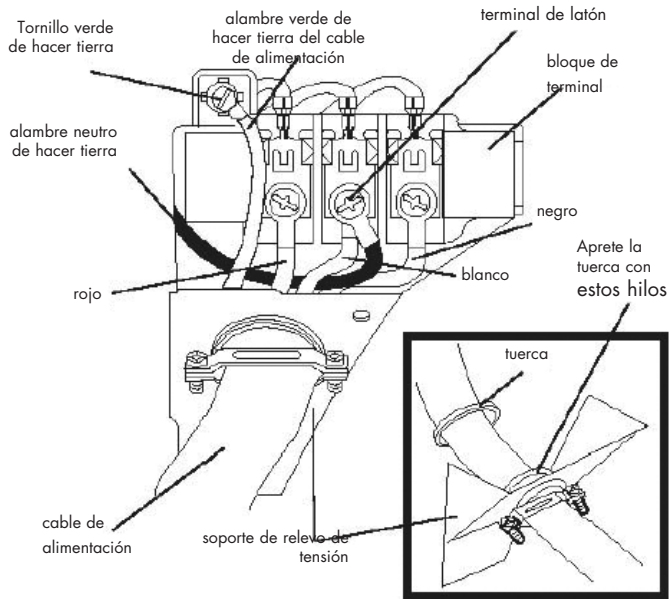
Conexión con cable de 3 alambres (Modelos EEUU solamente)

1. Quite los tornillos que sujetan la cubierta del acceso al bloque de terminales y el soporte del relevo de tensión localizado en la parte de atrás de la esquina superior del la secadora.
2. Instale un relevo de tensión por el hoyo de entrada de cable de alimentación del soporte.
3. Ensarte un cable de alimentación de 30 Amp aprobada por U.L., NEMA 10-30 tipos SRDT, a través del relevo de tensión.
4. Sujete el conductor neutro (alambre del centro) del cable de alimentación al terminal central de color latón bronce en el bloque de terminales. Apriete los tornillos bien.
5. Sujete los dos conductores exteriores del cable de alimentación que quedan a los terminales exteriores de color latón bronce en el bloque de terminales. Apriete ambos tornillos bien. Advertencia: No doble severamente o cause rizos en el cableado o conductor en las conexiones.
6. Vuelva a sujetar el soporte del relevo de tensión a la parte posterior de la secadora con dos tornillos. Apriete bien los tornillos.
7. Apriete los tornillos para asegurar la restringidota del cable firmemente contra el cable de alimentación.
8. Apriete seguramente la tuerca del relevo de tensión de tal manera que el relevo de tensión no gire.
9. Vuelva a instalar la cubierta del bloque de terminales.

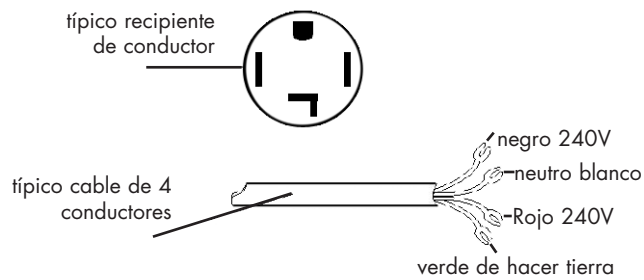


Secadora eléctrica (GDE450AW)

Conexión con cable de 4 alambres (Modelos EEUU solamente)



1. Quite los tornillos que sujetan la cubierta del acceso al bloque de terminales y el soporte del relevo de tensión localizado en la parte de atrás de la esquina superior del la secadora.
2. Instale un relevo de tensión aprobado por UL por el hoyo de entrada de cable de alimentación del soporte.
3. Quite el alambre de hacer tierra neutro verde del tornillo verde de hacer tierra ubicada arriba del bloque de terminales.
4. Ensarte un cable de alimentación de 30 Amp aprobada por U.L., NEMA 10-30 tipos SRDT, a través del relevo de tensión.
5. Sujete el alambre verde de hacer tierra del cable de alimentación al gabinete con el tornillo verde de hacer tierra.
6. Sujete los conductores blancos neutros al exterior del cable de alimentación y el alambre verde de hacer tierra del arnés de la secadora al terminal central de color latón
bronce en el bloque de terminales.
Apriete los tornillos bien.



7. Sujete los conductores rojos y negros del cable de alimentación a los terminales exteriores de color latón bronce en el bloque de terminales.
ADVERTENCIA: No doble severamente o cause rizados en el cableado o conductor en las conexiones.
8. Apriete los tornillos para asegurar la restringidora del cable firmemente contra el cable de alimentación.
9. Apriete seguramente la tuerca del relevo de tensión de tal manera que el relevo de tensión no gire.
10. Vuelva a instalar la cubierta del bloque de terminales.

CONEXIONES DE GAS

Secadora de gas (GDG450AW)

NOTA: NO conecte la secadora a un servicio de gas L.P. sin hacer una conversión a la válvula de gas. Un equipo de conversión de L.P. debe ser instalada por un técnico de gas cualificado.

1. Quite la tapa de transporte del tubo de gas en la parte posterior de la secadora.
2. Conecte un tubo de ½ pulgada (1.27 cm.) I.D. semi-rígida o aprobada desde una línea de suministro de gas al tubo de 3/8 pulgadas (0.96cm) localizada en la parte posterior de la secadora. Use un reductor de ½ pulgadas hasta 3/8 pulgadas (1.27cm hasta 0.96cm) para una conexión. A todas las conexiones de los tubos, aplique un sellante de hilos aprobada que sea resistente a la acción corrosiva de gases líquidos.
3. Abra la válvula de apague de la línea del suministro de gas.
4. Ponga a prueba todos los puntos de conexión pasándoles, con una brocha, una solución de agua con jabón. NUNCA HAGA PRUEBA DE ESCAPES DE GAS CON UNA LLAMA.
5. Conecte el conducto de escape al sistema de ventilación exterior. Use cinta adhesiva de tela para sellar todas las uniones.
6. Con la secadora ya en su ubicación final, ajuste una o mas de las patas hasta que la secadora este parada firmemente en las cuatro patas. Ponga un nivelador encima de la secadora. LA SECADORA TIENE QUE ESTAR NIVELADA Y PARADA FIRMEMENTE EN TODAS LAS CUATRO PATAS.
7. Enchufe el cable de alimentación dentro de una toma conectada a tierra.
NOTA: asegure que la electricidad esté APAGADA en el disyuntor/ caja de fusas antes de enchufar el cable de alimentación dentro de la toma.
8. Encienda la electricidad desde el disyuntor/ caja de fusas
CUIDADO: Antes de poner en marcha la secadora, asegure que los alrededores estén limpios y libres de materiales combustibles, gasolina, y otros vapores inflamables. También, vea que nada (como cajas, ropa, etc.) obstruya la corriente de combustión y la ventilación de aire a través del panel de planillas localizado en la parte posterior de la secadora.

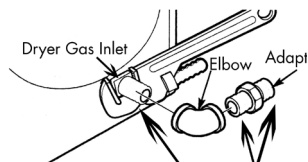
9. Mande la secadora por un ciclo de prueba para comprobar que está funcionando correctamente.

NOTA: Con secadoras de gas, es necesario que la línea de gas se priva de aire para que el mechero se prenda. Si el mechero no se prende dentro de 45 segundos la primera vez que se pone en marcha la secadora, el interruptor de seguridad apagará el mechero. Si esto sucede, ponga la secadora en posición "OFF" y espere 5 minutos antes de hacer un segundo intento.

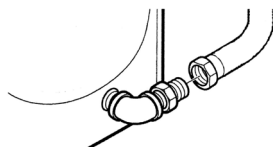
NOTA: Siga las instrucciones que vienen con el equipo.

CONECTAR LA SECADORA AL SUMINISTRO DE GAS

- A) Conecte un codo femenino de 3/8 pulgada a la entrada de gas en la secadora. Después, conecte un adaptador de flare unión de 3/8 pulgada al codo femenino.

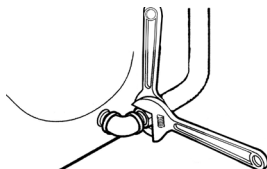


IMPORTANTE: Para evitar que la entrada se tuerza, por favor use una llave inglesa de tubos para asegurar la entrada de gas de la secadora. Apegue cinta adhesiva Teflón o compuesto para tubos al adaptador y la entrada de gas.

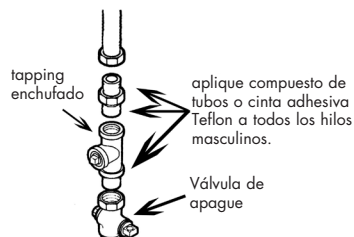


- B) Sujete el conector de metal flexible para la línea de gas al adaptador.

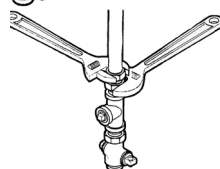
- C) Asegure que el sello flexible de la línea de gas esté seguro. Use dos llaves inglesas para la mejor conexión posible.



- D) Para chequear le presión de la entrada de gas, sujete un tapping enchufado NPT de 1/8 pulgada a la válvula de apague para la línea de gas a la secadora. Entonces, conecte el adaptador de unión flare al tapping. Apegue cinta adhesiva Teflón a los hilos del adaptador y el tapping para asegurar el sellado.

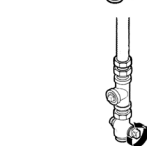


- E) Use dos llaves inglesas ajustables para apretar cada conexión.



IMPORTANTE: No apriete más de lo necesario!

- F) Abra la válvula de apague de gas



PIEZAS DE REEMPLAZO

Piezas de reemplazo y accesorios para EE.UU. y Canadá se pueden comprar a través de Haier America llamando al 1-800-313-8495

CUIDADO: Marque todos los alambres antes de desconectarlas por propósitos de dar servicios a los controles. Errores en el cableado pueden causar uso inapropiado y peligroso. Cheque que el aparato este funcionando correctamente después de cualquier arreglo.

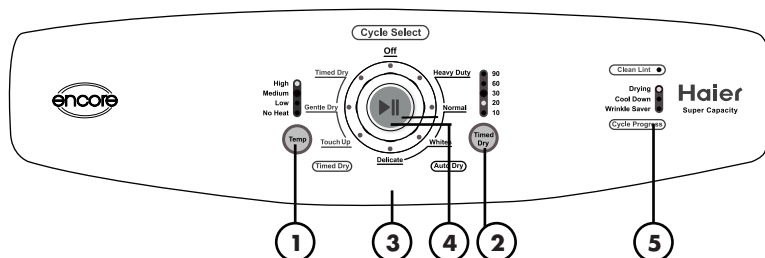
ADVERTENCIA: deseche o destruya el cartón y bolsas plásticas después de desempacar la secadora. No debe permitir que los niños jueguen con estos. Cartones que terminan debajo de alfombras, sábanas, o sábanas de plástico pueden formar un área hermética y causar asfixia resultando en muerte. Haga todos los materiales de empacar inaccesible a los niños.

ADVERTENCIA: Las instrucciones en este manual y toda otra literatura incluida con esta secadora no pueden tratar todas las posibles condiciones y situaciones que podrían ocurrir. Buena práctica y cuidado se deben ejercer al instalar. Operar, y mantener cualquier electrodoméstico. Si tiene dudas después de la instalación, llame a un electricista certificado para que instale y ponga en orden el cableado de la secadora.

INSTRUCCIONES DE FUNCIONAMIENTO

Para reducir el riesgo de incendio, descarga eléctrica o lesiones a las personas, lea todas las INSTRUCCIONES IMPORTANTES DE SEGURIDAD antes de usar el artefacto:

Explicación del panel de control



Botón para la temperatura: (1)

- Utilizado para fijar las temperaturas de secado. Hay cuatro temperaturas de secado disponibles para elegir: Alta, Media, Baja y Sin calor.

Secado programado: (2)

- Utilizado para fijar el tiempo de secado. Hay cuatro tiempos de secado disponibles para elegir:
10 min., 20 min., 30 min., 60 min., 90 min.

Dial de selección de ciclo: (3)

- Para seleccionar uno de los 4 ciclos de secado automático (Secado profundo, Normal, Blancos y Prendas delicadas), o de los 3 ciclos de secado con tiempo (Retoque, Secado suave, Secado programado).

		Temperatura				Secado programado					Notas
		Alta	Media	Baja	Sin calor	90	60	30	20	10	
Secado automático	Secado Profundo	●	X	X	X	/	/	/	/	/	Materiales pesados, tales como vaqueros o toallas de baño.
	Normal	0	0	0	X	/	/	/	/	/	Secado normal
	Secado Profundo	0	0	0	X	/	/	/	/	/	Para ropa blanca, como por ejemplo manteles y sábanas
	Prendas delicadas	X	X	●	X	/	/	/	/	/	Secado de pequeñas cantidades de prendas y telas delicadas.
Secado programado	Retoque	0	0	0	X	X	X	X	●	X	Utilizado para seleccionar la función a prueba de arrugas.
	Secado suave	X	X	0	0	0	0	0	0	0	Secado con aire
	Secado programado	0	0	0	0	0	0	0	0	0	Selección de la temperatura y el tiempo adecuados para el secado personalizado.
● : Únicamente		0: Puede seleccionarse			X: No puede seleccionarse			/: Sin señal			

Botón Start/Pause (Comenzar/Pausa) (4)

- Presiónelo para iniciar el funcionamiento después de seleccionar el ciclo de secado y configurar la temperatura. Presione una vez para pausar. Presione nuevamente para iniciar el funcionamiento después de presionar.

Progreso del ciclo: (5)

- Indica el proceso en el que el ciclo está en ese momento. Al final del ciclo de secado, la secadora pasará automáticamente al modo antiarrugas. Aquí la tina de la secadora realizará periódicamente un centrifugado por 1 hora después de que se finalizó el ciclo de secado. Para detener, simplemente abra la puerta y retire la ropa.

Nota: El indicador de limpieza de pelusas es simplemente un recordatorio para que limpie el filtro de pelusas antes de cada uso.

PREPARACIONES ANTES DE SECAR

- Separe la ropa por tipo (algodón, sintéticos, lana) para secar.
- La ropa clara y oscura se debe secar separado. La ropa propensa a la pérdida de pelusas y esas propensa a recoger pelusas de deben secar por separado Ropa sensible a la caída de pelusas se deben meter a la secadora virada al revés.
- Asegure que los botones y ornamentos en la ropa son resistentes a altas temperaturas y que no dañaran la superficie del interior de la secadora. Antes de meterlas, la ropa debe tener todos los zípers cerrados, botones y ganchos abrochados, y cinturones amarados para evitar que se enreden o que causen otros obstáculos.
- Si es posible, extraiga los bolsillos hacía afuera para un secado más uniforme.
- Mire bien a ver si la ropa sigue sucia. Si es así, vuélvalas a lavar, si no, la tierra y manchas podrían quedar de manera permanente.
- Artículos pequeños se deben meter en una bolsa de malla antes de meter en la secadora y secar, para evitar el enredo y para poder sacarlas fácilmente.
- Asegure que la toma de electricidad este bien conectada a tierra. El terminal de hacer tierra no debe ir conectado con tuberías de gas o de agua.
- Asegure que el conducto de salida ha sido correctamente conectada.
- Asegure que el filtro de pelusas este limpio y correctamente instalado. Si el filtro no esta en su lugar, ropa girante podría entrarse al sistema de escape y causar daños a la secadora.

NOTA: Esto aplica a los ciclos de auto-secado y ciclos de secado a tiempo fijo.

META LA ROPA DENTRO DE LA SECADORA

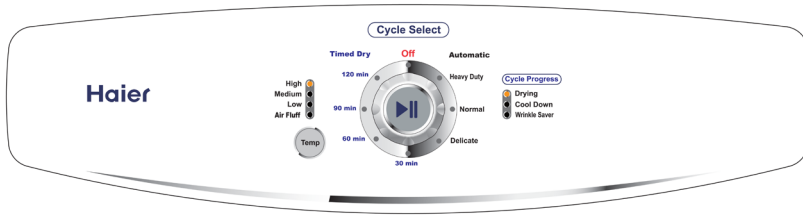
- El tamaño apropiado de la colada debe ser de $1/3$ a $1/2$ del volumen del interior de la secadora. Evite llenarla demasiado, ya que se necesita espacio para permitir que la ropa se mueva libremente y asegurar un secado uniforme y anti-arrugas.
- Cuando seque artículos grandes, solo 2-3 piezas se deben meter a la vez y se debe suplementar con unos artículos medianos y pequeños.
- Para una colada mas pequeña, o ropa delicada, dos toallas se pueden añadir para mejorar el secado y los efectos anti-arrugas.
- Para evitar arrugas, encogimiento, efecto áspero, acumulación de estática, y/o más pelusas, no seque la ropa más de lo necesario.

CICLO DE SECADO AUTOMÁTICO

1. Gire la perilla a cualquier programa, excepto "OFF" ("APAGADO") para encender la unidad. El panel de control emitirá un pitido y la secadora pasará del estado apagado a en funcionamiento.
2. Configure el dial de selección de ciclo en el ciclo de secado automático necesario. El nivel de temperatura está preprogramado. Para cambiar esta configuración:
 - Presione el botón "Temp" para configurar una temperatura de secado adecuada.
 - Hay cuatro temperaturas de secado disponibles: Alta, Media, Baja, Sin calor.
 - La temperatura en el ciclo "Secado profundo" es alta. Esto no se puede cambiar.
 - La temperatura en el ciclo "Normal" puede cambiarse entre alta, media y baja.
 - La temperatura en el ciclo "Blancos" puede cambiarse entre alta, media y baja.
 - La temperatura en el ciclo "Prendas delicadas" es baja. Esto no se puede cambiar.
 - Presione el botón Start / Pause (Comenzar / Pausa).
 - Cuando comience a usar la máquina, primero cierre la puerta y luego presione este botón.
 - Si es necesaria una pausa durante el secado, presione este botón. Si presiona nuevamente se reinicia el funcionamiento.
 - Independientemente del estado de la secadora (secando, en pausa o enfriándose), si se gira la perilla hasta la posición "Off" (Apagado), la luz indicadora de apagado destellará durante 5 segundos y luego la secadora pasará al modo en espera. Cuando la máquina está en funcionamiento, si gira la perilla en cualquier dirección, el ciclo se apaga automáticamente.

Nota: Para cambiar el ciclo, presione "Start/Pause" (Comenzar/Pausa), gire la perilla para realizar una nueva selección y presione "Start/Pause" (Comenzar/Pausa) nuevamente.

CICLO DE SECADO PROGRAMADO



1. Gire la perilla a cualquier programa, excepto "OFF" ("APAGADO") para encender la unidad. El panel de control emitirá un pitido y la secadora pasará del estado apagado a en funcionamiento. Si no se presiona el botón "Start/Pause" (Comenzar/Pausa) cinco minutos después del encendido, la secadora volverá automáticamente al estado APAGADO.
 2. Configure el dial de selección de ciclo en el ciclo Timed Dry (Secado programado).
 3. Hay 3 tiempos preprogramados, Secado programado (5 configuraciones), Secado suave y Retoque.
 4. Presione "Timed Dry" (Secado programado) para configurar el tiempo de secado necesario;
Presione "Temp" para configurar la temperatura de secado requerida.
En el ciclo "Retoque", sólo puede seleccionarse un secado programado de 20 minutos. La temperatura en el ciclo "Retoque" puede ser alta, media o baja. La temperatura en el ciclo "Secado suave" puede ser únicamente baja.
 5. Cuando comience a usar la máquina, primero cierre la puerta y luego presione "Start/Pause" (Comenzar/Pausa). Si es necesaria una pausa durante el secado, presione este botón. Si presiona nuevamente se reinicia el funcionamiento.
 6. Independientemente del estado de la secadora (secando, en pausa o enfriándose), si se gira la perilla hasta la posición "Off" (Apagado), la luz indicadora de apagado destellará durante 5 segundos y luego la secadora pasará al modo en espera. Cuando la máquina está en funcionamiento, si gira la perilla en cualquier dirección, el ciclo se apaga automáticamente.
- Nota:** Para cambiar el ciclo, presione "Start/Pause" (Comenzar/Pausa), gire la perilla para realizar una nueva selección y presione "Start/Pause" (Comenzar/Pausa) nuevamente.

Otras características

Su secadora también tiene las siguientes características por su conveniencia:

Filtro de pelusas:

- Todas las secadores vienen con un filtro de pelusas que necesitar ser limpiada antes o después de cada uso (lea la sección de "Guía de Limpieza y Cuidado").

Patas niveladoras:

- Su secadora tiene cuatro patas niveladoras que están localizadas en las esquinas al frente y atrás de la secadora. Después de instalar la secadora en su posición final, podrá nivelarla bien.
- Las patas niveladoras se pueden ajustar girándolas en la dirección de las agujas del reloj para bajar la altura de la secadora.

Señal de fin de ciclo:

- Al final del ciclo de secado una señal audible pitará para avisarle que la secadora ha terminado de secar su colada.

Anti-arrugas:

- Al final del ciclo de secado la secadora automáticamente va a la modalidad anti-arrugas.

En esta modalidad la tina de la secadora gira periódicamente por una hora después de que termina el ciclo. Para pararlo, simplemente abra la puerta y saque la ropa.

SONIDOS NORMALES DE OPERACIÓN

Los siguientes sonidos son normales durante la operación de la secadora.

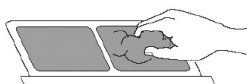
- Sonido de dar volteretas: esto es normal ya que ropa mojada y pesada dentro de la secadora van girando y siendo tiradas continuamente.
- Sonido de aire corriendo: esto ocurre mientras la tina de la secadora gira y el aire va corriendo a través del interior de la secadora.

Consejos

- Para mejores resultados, limpie el filtro de pelusas antes o después de cada uso.
- No sobrellene la secadora
- Balancee la colada que se esté secando, distribuyéndola por toda la secado para mejores resultados.
- El tiempo para el secado depende de muchas cosas: tamaño de la colada, tipo de tela y cuan mojada está, el calor y humedad del despacho, voltaje eléctrico, largo del conducto de escape, etc.
- Para eliminar tener que adivinar y conservar energía, se recomienda para ciertos tipos de ropa secar en un ciclo de auto-secado.
- Siempre siga las instrucciones de cuidado en las telas que proviene de los fabricantes de la ropa.

GUÍA DE CUIDADO Y LIMPIEZA

- El filtro de pelusas necesita limpiarse antes o después de cada uso para que su aparato funcione a eficiencia óptima. El filtro se puede quitar la jalar las lengüetas ubicadas en la parte interior de la puerta de la secadora. El filtro se puede lavar o aspirar. Quite el exceso de agua del filtro sacudiéndolo ligeramente. Esto quitará tierra y partículas atrapadas en el filtro. LA acumulación de pelusas restringe la corriente de aire, que causa tiempos de secado mas largos. Después de limpiar, vuelva a poner el filtro en su lugar. No use la secadora sin el filtro de pelusas.



filtro de pelusas

- No use ningún producto de limpieza tipo atomizador al limpiar el interior de la secadora.
- Vapores tóxicos o descargas eléctricas podrían ocurrir. Si se mancha el interior de la secadora, límpiela con una toalla húmeda. Quite cualquier residuo antes de secar la siguiente colada.
- Limpie el gabinete con agua y jabón suave. No use productos de limpieza fuerte o abrasivos, ya que esto puede causar daños a la secadora.
- Limpie el conducto y es escape de ventilación regularmente para evitar que se tranquen porque esto puede afectar la eficiencia de su secadora.

LOCALIZACIÓN Y RESOLUCIÓN DE PROBLEMAS

Si la secadora...

No opera:

- Compruebe que el aparato esté enchufado. El enchufe puede estar suelto.
- Compruebe que el recipiente de electricidad en la pared es del voltaje correcto.
- Compruebe si el disyuntor necesita ser reajustado, o si la fusa necesita ser remplazada.
- Compruebe si el aparato está en la modalidad "off." Pulse el botón nuevamente.
- Compruebe si la puerta está abierta.

Anda, pero no está secando la ropa:

- El aparato puede estar lleno de más. Por mucho, la tina de la secadora debe estar llena a la mitad.
- Revise los conductos de escape y los respiraderos. Los respiraderos deben estar libres de obstrucción.
- Los conductos deben estar libres de tierra e pelusas, y deben limpiarse regularmente.
- La colada necesita ser redistribuida. Ropa pesada quizás tenga que ser separada de ropa regular.
- Ropa en volumen puede necesitar ser regada de otra manera.
- Si la ropa se seca de manera no-uniforme, una posición más fuerte de secado puede necesitarse, o la ropa dentro de la secadora necesita distribuirse de otra manera.

Hace ruido mientras seca:

- Compruebe que no hayan monedas, botones, u otros objetos pesados que podrían estar causando el ruido.
- La secadora puede necesitar ser nivelada.
- Lea la guía de usuario para ver cuales sonidos son normales durante la operación.

Estática:

- Causado por sobre-secar. Ajuste para un tiempo de secado más corto.
- Telas sintéticas están en la mezcla. Separe las telas de distintos tipos.
- Use un suavizante.

GARANTÍA LIMITADA

Garantía completa por UN año

Por 12 meses desde la compra original, Haier reemplazará o reparará cualquier pieza sin costo alguno, incluyendo labor si el daño es debido a defectos en los materiales o obra de mano.

Garantía limitada

Después de un año desde la fecha de la compra original Haier dará una pieza sin costo alguno, como se indica abajo, para reemplazar la parte como resultado de fallas en los materiales o mano de obra. Haier es responsable solo por el costo de la pieza. Todo gasto adicional, como es transporte y la labor, etc. Son la responsabilidad del dueño. Haier proveerá todas las piezas.

Segundo a quinto año.

Nota: Esta garantía comienza en la fecha en que se compró el aparato y el recibo de compra original tiene que ser presentada al representante de servicio autorizado antes de que arreglos bajo la garantía se cumplan.

Excepciones: garantía para uso comercial o alquiler.

90 días de labor desde la fecha de compra original.

90 días para piezas desde la fecha de compra original.

Ninguna otra garantía aplica.

Para servicios de garantía

Póngase en contacto con su centro de servicio autorizado más cercano. Todo servicio debe ser cumplido por un centro de servicios autorizado por Haier. Para obtener el nombre y número de teléfono de su centro de servicio autorizado más cercano, por favor llame a 1-877-337-3639

Antes de llamar por favor tenga a su disposición la siguiente información:

Número de modelo y número de serie de su electrodoméstico (se encuentra en la parte posterior del aparato o en la parte de arriba del lado izquierdo).

El nombre y dirección del representante de ventas donde compró el aparato y la fecha de la compra.

Una descripción clara del problema.

Prueba de compras (el recibo de compra)

Esta garantía cubre electrodomésticos dentro de los Estados Unidos continentales, Puerto Rico, y Canadá.

Que no esta cubierto por esta garantía:

Reemplazo o reparación de fusas caseras, diyuntores, cableado, o tuberías.

Un producto cuyo número de serie ha sido manipulada o quitada.

Cualquier costo de servicio no específicamente identificado como normal así como con áreas u horarios normales.

Daños a prendas.

Daños debidos al transporte

Daños causados por instalación o mantenimiento inapropiado.

Daños debidos a mal-uso, abuso, accidente, incendio, diluvio, o fuerzas de la naturaleza.

Daños debidos a servicios proveídos por otros individuos que no sean centros de servicio o representantes autorizados por Haier.

Daños debidos a corriente eléctrica, voltaje, o suministro de energía equivocada.

Daños que resulten de modificaciones al producto, cambios, o ajustes no autorizados por Haier.

Ajustes a controles operados por el consumidor identificados en la guía del usuario.

Mangueras, tiradores, bandejas de pelusas, y todos accesorios, adjuntos, y piezas desechables.

Labor, transporte para servicios, y cargos de transporte para la eliminación y reemplazo de piezas defectuosas después del periodo inicial de 12 meses.

Daños debido a uso fuera de lo normal y cotidiano.

Cualquier cargo de transportación y transporte.

Esta garantía limitada se concede en lugar de todas otras garantías expresadas o incluyendo las garantías de mercabilidad y buena forma por un propósito en particular.

El remedio que se da en esta garantía es exclusivo y se concede en lugar de todos otros remedios.

Esta garantía no cubre daños imprevistos o consiguientes entonces las limitaciones escritas arriba posiblemente no le apliquen. Algunos estados no permiten limitaciones en el tiempo que dure una garantía tácita, entonces las limitaciones escritas arriba posiblemente no le apliquen.

Esta garantía le da derechos legales específicos, y Ud. podría tener otros derechos, que pueden variar, de estado en estado.

Haier America

Nueva York, NY 10018

IMPORTANT

Do Not Return This Product To The Store

If you have a problem with this product, please contact the "Haier Customer Satisfaction Center" at 1-877-337-3639.

DATED PROOF OF PURCHASE REQUIRED FOR WARRANTY SERVICE

IMPORTANT

Ne pas Réexpédier ce Produit au Magasin

Pour tout problème concernant ce produit, veuillez contacter le service des consommateurs "Haier Customer Satisfaction Center" au 1-877-337-3639.

UNE PREUVE D'ACHAT DATEE EST REQUISE POUR BENEFICIER DE LA GARANTIE.

IMPORTANTE

No regrese este producto a la tienda

Si tiene algún problema con este producto, por favor contacte el "Centro de Servicio al Consumidor de Haier" al 1-877-337-3639 (Válido solo en E.U.A).

NECESITA UNA PRUEBA DE COMPRA FECHADA PARA EL SERVICIO DE LA GARANTIA

**Made in China
Fabriqué en Chine
Hecho en China**

Haier

**Haier America
New York, NY 10018**

Printed in China

Issued: February 2010
GDE450AW / GDG450AW / CGDE450AW

©2010 Haier America Trading, LLC. All Rights Reserved. 100676 0608.