

This Owner's Manual is provided and hosted by [Appliance Factory Parts](#).



Wolf W362718 Owner's Manual

[Shop genuine replacement parts for Wolf W362718](#)



[Find Your Wolf HVAC Parts - Select From 108 Models](#)

----- Manual continues below -----

MODEL W302718, W362718, W422718 PART LIST

<u>Ref #</u>	<u>Part #</u>	<u>Description</u>	<u>Ref #</u>	<u>Part #</u>	<u>Description</u>
1	805317	Screw, #8 X 1/2 Pan HD. Phil. S/M (6)	17	805331	Light Switch Control #83
2	805345	21-1/4" X 8 -1/2" To 10" Rnd Trans.	18	805332	Heat Lamp Switch Control #82
3	805429	Removable Back Panel 30"	19	805406	Grease Cup 30" Hood (22.832) (1)
	805430	Removable Back Panel 36"		805490	Grease Cup 36"-42" Hood (16.885) (2)
	805431	Removable Back Panel 42"	20	805334	Baffle Filter, 11-7/8" X 11-7/8" (***)
4	805346	Electrical J-Box	21	805335	2-Hole Electrical Outlet (See SN Breaks)
5	806333	Mounting Plate (included with 805086)		805342	3-Hole electrical Outlet (See SN Breaks)
6	805320	Nut, 10-24 Hex Flange Lock (8)	22	805436	Heat Lamp Bracket Cover (2)
7	805086	900 CFM Blower (****)	23	805437	Heat Lamp Bracket (2)
8	805339	Nut, 1/4-20 Hex Flange Lock	24	N/A	Heat Mount (30", 36", 42")
9	805323	Thermostat, Hi-Temp. Sensor	25	805344	Heat Lamp (2)
10	805324	Electrical Terminal Block	26	N/A	Heat Lamp Cover (30", 36", 42")
11	805325	Light Socket, Ceramic (*)	27	N/A	Bottom Track (30", 36" 42")
12	805326	Light Holder (**)	28	N/A	Inner Side (Left & Right)
13	805327	Halogen Light, 50 Par. 20/Cap (**)	29	N/A	Lower Shroud (30", 36", 42")
14	805328	Knob, Switch Control (3)	30	806339	Runner, Wall Hood 30" (2)
15	805341	3-Hole Bezel, Switch		806340	Runner, Wallhood (42", 54", 66")
16	805330	Fan Speed Control			(36" Does Not Use Runners)

NOTES:

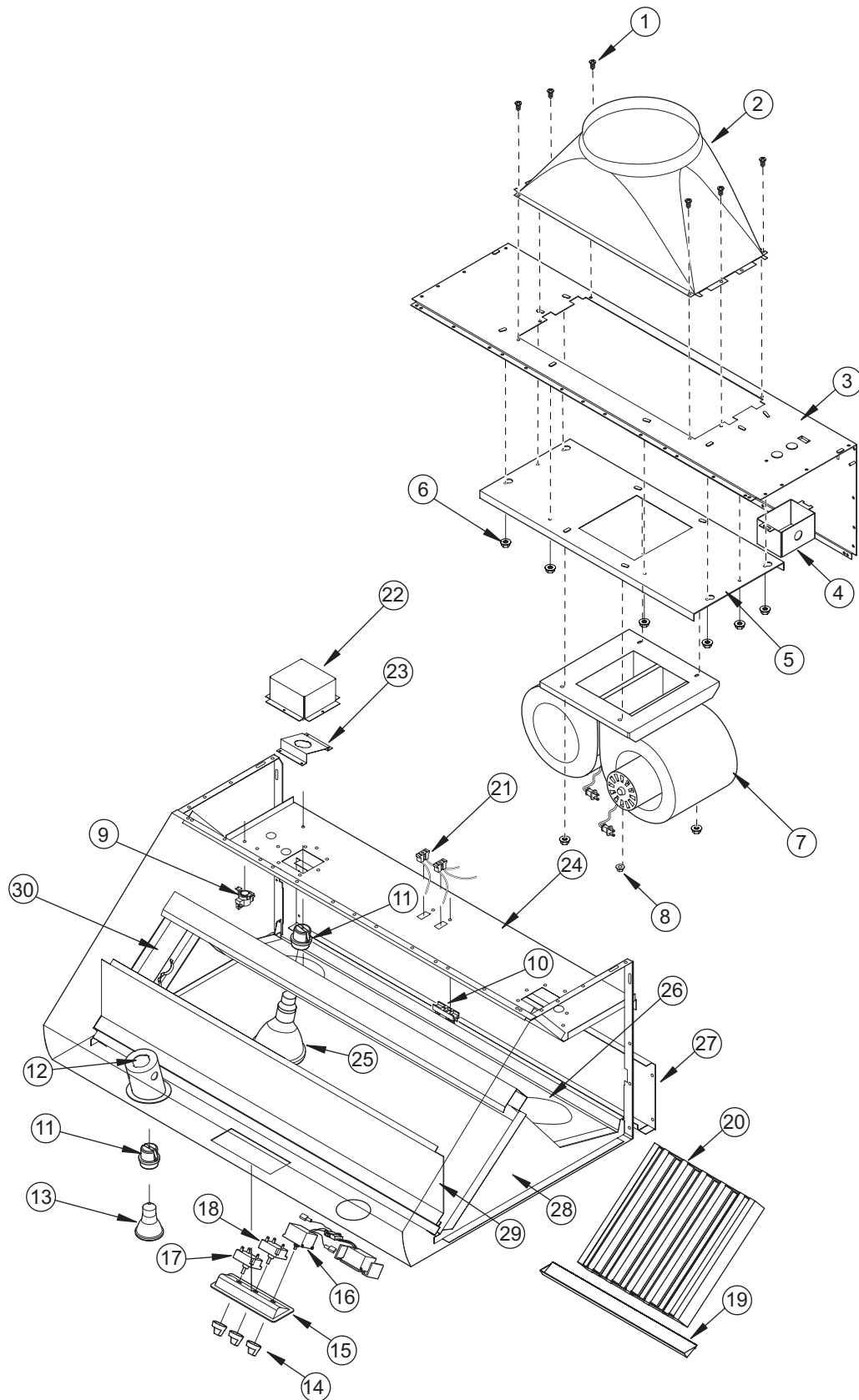
(*) (4) 30", 36", 42", 48", 54" wide
(5) 60", 66" wide

(**) (2) 30", 36", 42", 48", 54" wide
(3) 60", 66" wide

(***) (2) 30" wide, (3) 36", 42" wide
(4) 48", 54"
(5) 60", 66" wide

(****) Not Included with Hood (Sold Separately)

MODEL W302718, W362718, W422718 EXPLODED VIEW



NOTE: Can use 900 CFM internal blower with these models (not included), or remote blower (not included).