

This Owner's Manual is provided and hosted by [Appliance Factory Parts](#).



LOVELESS ASH MU305 Owner's Manual

[Shop genuine replacement parts for LOVELESS ASH
MU305](#)



[Find Your LOVELESS ASH Vacuum Cleaner Parts - Select From 3 Models](#)




----- Manual continues below -----

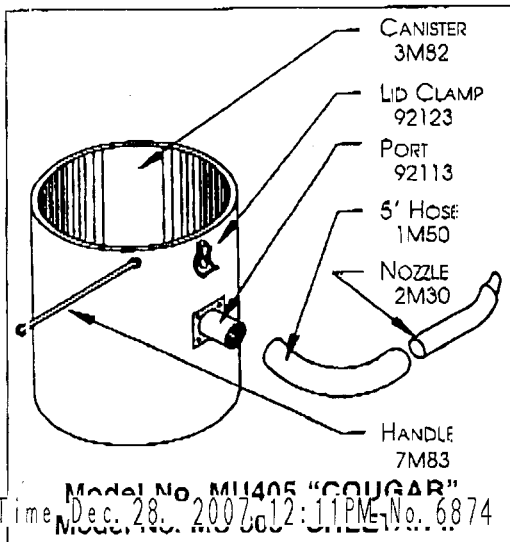
TROUBLE SHOOTING

TROUBLE	POSSIBLE CAUSE	REMEDY
Clogged Nozzle	Ash is blocking nozzle end or nozzle is being held above the ash and ash is trying to go through all at once.	Place nozzle directly on firebrick and rub to move large particles out of the way and maintain air flow and to crush larger particles if necessary.
	Nozzle is backwards in hose.	Put smooth end in hose & crimped end out.
Poor Suction	Coated primary filter.	Clean primary filter see instructions on: "How To Clean Your Filter."
	Coated secondary filter.	Clean both primary and secondary filters.
Hose Becomes Hot	Clogged nozzle/hose.	See clogged nozzle.
	Cleaning TOO WARM of ash.	Let ash cool down. Do not use gloves to vacuum.
Dust Escaping	Hole in either filter.	Repair or replace filters. Small holes may be repaired with Silicone Rubber Sealant.
	Hose clamps are not tight enough.	Tighten hose clamps.
	Filters may have wrinkles or out of correct position.	Inspect filters and adjust them so they are smooth around the hose clamps.
	Pop rivets may start to leak air.	Caulk pop rivets from the inside of the unit.

NOTE: Inspect filters before each use to insure that they are in good condition.

NOTE: EXCESSIVE OR ABUSIVE shaking of the filter support may result in tearing and/or premature wearing of either filter.

Crevice Tool - 4P19		Set 4P22
Brush Tool - 4P20		
Pellet Stove Cleaning Tool		1P24
Filter Pkg. - 2F22 (Includes 1 Primary & 1 Secondary)		
Wire Brush Tool - 14112	Round Wire Brush Tool - 14113	



Model No. MU405 "COUGAR"
Model No. MU 500 "CHEETAH II"

Received Time Dec. 28. 2007 12:11 PM No. 6874

