

This Owner's Manual is provided and hosted by [Appliance Factory Parts](#).



Rexair D3A Owner's Manual

[Shop genuine replacement parts for Rexair D3A](#)



[Find Your Rexair Vacuum Cleaner Parts - Select From 21 Models](#)

----- Manual continues below -----

Original REXAIR

Model D3A & D3C

Beginning Serial No. 4388126 Start Date 6/30/80

Figure A
Cap & Baffle Ass'y

KEY	PART NO.	DESCRIPTION
	NLA	Cap & Baffle Ass'y
1	R-1567	Decal Handle
2	NLA	Handle Ass'y
3	NLA	Closure Cover Ass'y (Order RR-7550)
4	R-1569	Decal Closure Cover
5	R-1568	Decal Cap Ring
6	NLA	Cap & Cap Ring Ass'y
7	R-1570	Decal Rainbow - Baffle
8	NLA	Baffle Ass'y
9	R-H489	Screw, Cap Handle

Figure A

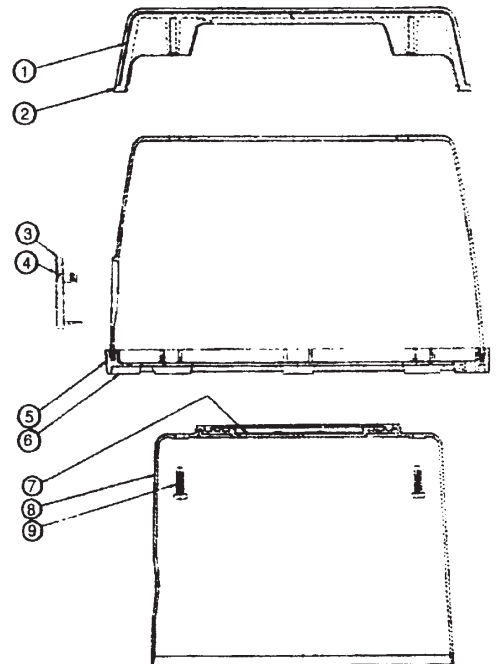
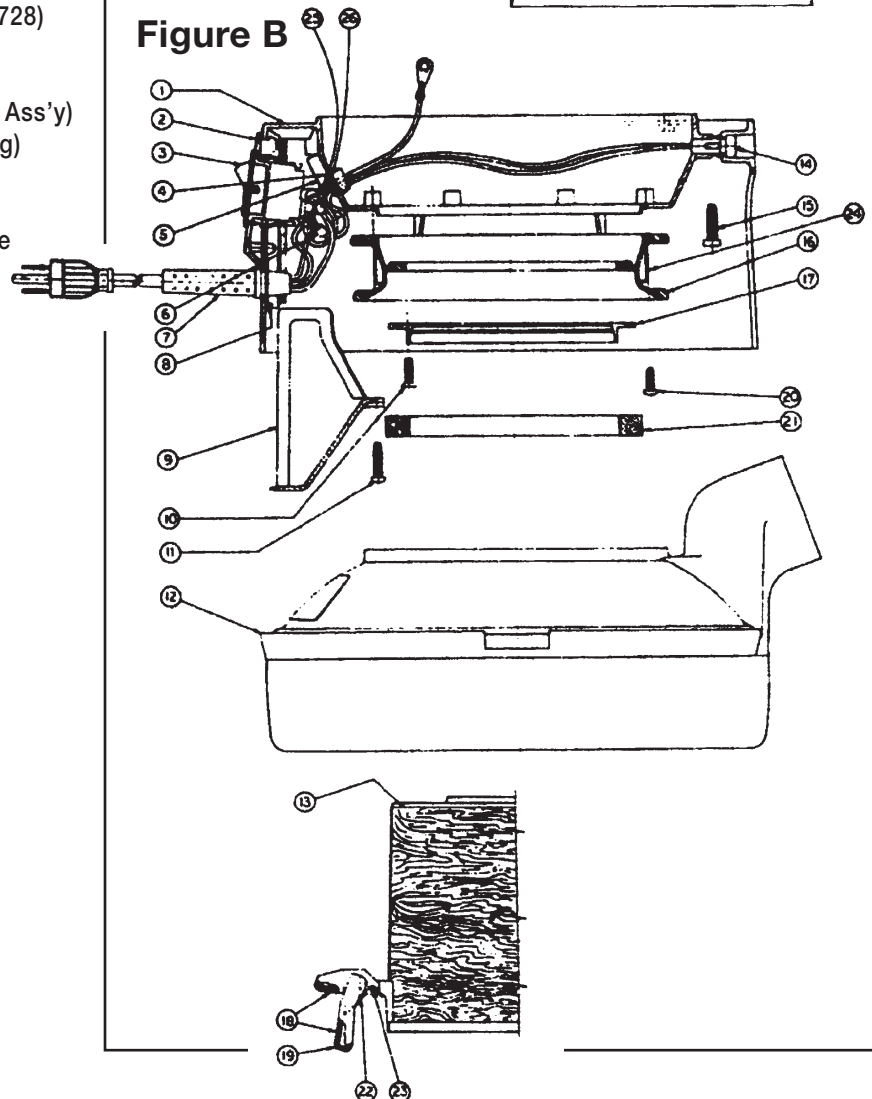


Figure B
Main Housing Sub Ass'y/Water Pan/Latch

1	NLA	Main Housing Sub Ass'y
1A	NLA	Main Housing Sub Ass'y (3 Prong)
2	NLA	Bracket, Switch
3	NLA	Switch, Snap-In (Order R-2728)
4	R-1158	Open/Closed Bushing
5	R-1734	Insulation Boot Switch
6	R-1642	Terminal (R-1582 Complete Ass'y)
7	R-1753	Electric Cord (3 Wire w/Plug)
8	R-1528	Strain Relief Support
9	R-1526	Switch Cover
10	R-H378	Screw, Motor Gasket Flange
11	R-H492	Screw, Switch Cover
12	R-2809	Water Pan Ass'y (2 quart)
13	R-1572	Applique, Main Housing
14	R-1582	Connector Ass'y (2 prong)
14A	R-1761	Receptacle Ass'y (3 prong)
15	R-H489	Screw, Cap to Housing
16	R-599	Motor Support Ring
17	R-747	Motor Gasket Flange
18	NLA	Applique, Latches
19	R-1565	Latch
20	R-H491	Screw, Clamp Ring
21	R-912	Motor Gasket
22	R-1585	Latch Spring
23	R-1566	Latch Pin
24	R-598	Outer Clamp Ring
25	R-H511	Screw, Switch Terminal
26	R-1642	Terminal
27	R-1225	Eyelet

Figure B



NLA = No Longer Available

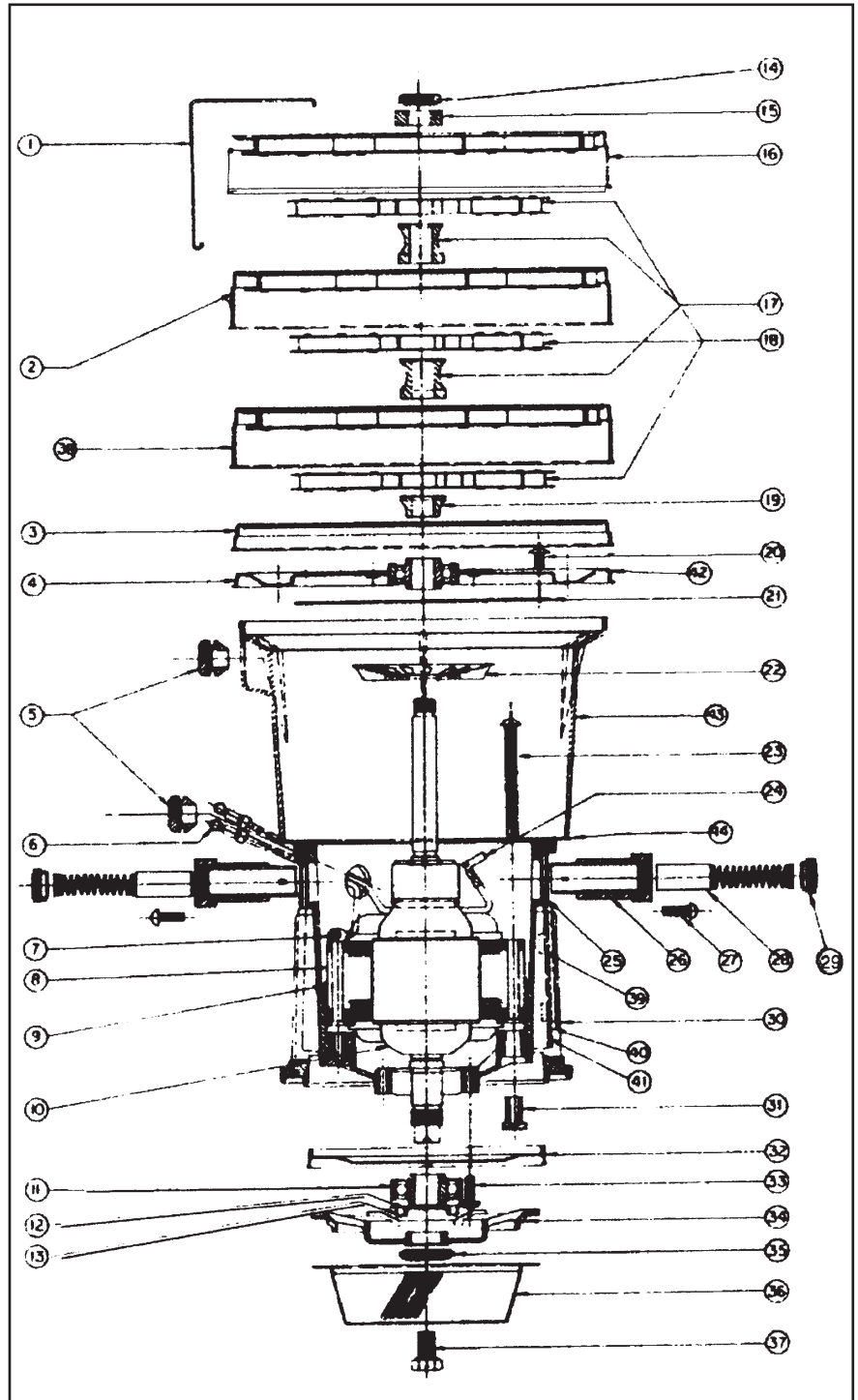
REXAIR Original

Model D3C Motor Assembly R-1767

Beginning Serial No. 4388126 Start Date 6/30/80

Replace with R-2104

KEY	PART NO.	DESCRIPTION
1	R-1423	Stage Housing Clip
2	R-1419	Stage Ass'y
3	R-1418	Air Guide
4	R-1411	Bearing Plate Ass'y
5	R-665	Grommet
6	R-1853	Terminal, Insulated
7	R-H487	Cable Clamp
8	NLA	Field Ass'y
8	R-1910	Field Ass'y from Serial #4545550
9	R-1454	Field Insulator
10	R-1426*	Armature Ass'y
10	R-1909*	Armature Ass'y from Serial #4545550
11	NLA	Lower Bearing
12	R-147	Slinger Ring
13	R-146	Bearing Shield
14	R-H306	Shaft Nut
15	NLA	Spacer
16	R-1421	Stage Ass'y, Upper
17	NLA	Fan Spacer, Middle
18	R-675	Fan Ass'y
19	R-1416	Fan Spacer, Lower
20	R-H475	Screw, Bearing Plate
21	R-1415	Gasket, Bearing Plate
22	R-1469	Fan, Armature Cooling
23	R-H535	Screw, Motor Field
24	R-1578	Terminal, Brush Flag
25	R-1455	Gasket, Brush Holder
26	R-2490	Brush & Holder Kit
27	R-H309	Screw, Brush Holder
28	R-1552	Carbon Brush & Spring
29	NLA	Screw Cap
30	R-1448	Motor Housing
31	R-1449	Insulator,Fld. Scr. Insert
32	R-1424	Air Deflector
33	R-H308	Screw, Lower Bearing
34	R-1425	Spider
35	R-H13	Shaft Nut
36	NLA***	Separator, Low Profile
	RR-6250	Separator, All Models Prior To D4C, D4CSE
37	R-3450	Separator Screw
38	R-1752	Stage Ass'y (Lower w/Grid)
39	R-1473	Retainer, Cover Plate
40	NLA	Cover Plate
41	R-1470	Gasket, Cover Plate
42	R-1794	Gasket, Upper Shell
43	NLA	Shell Motor Housing
44	R-1795	Gasket, Lower Shell



*ARMATURE NOTE:

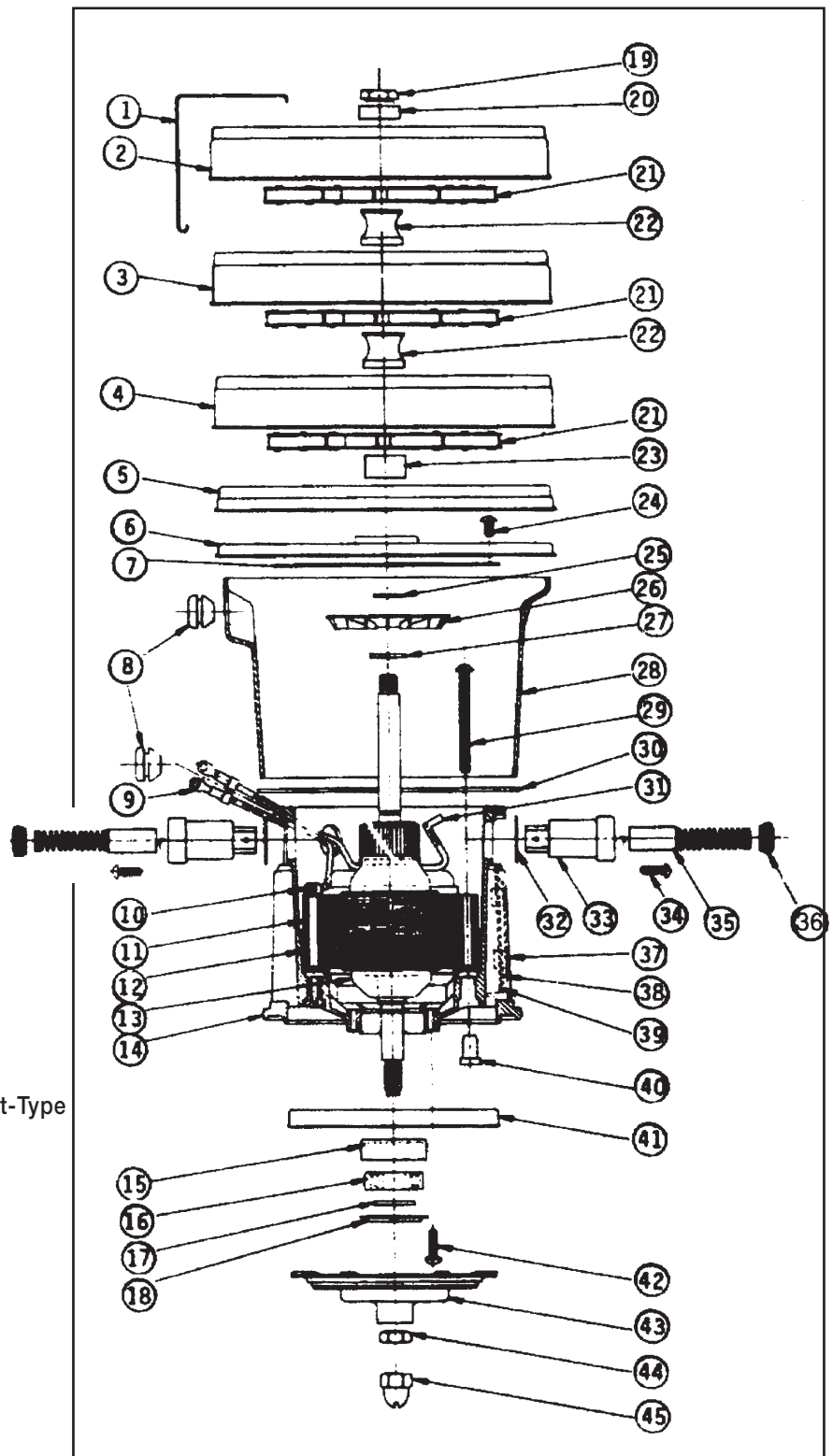
R-692 ARMATURE FITS: D2 WITH R-1395 MOTOR
 R-1426 ARMATURE FITS: D2A-D3C WITH
 R-1405 MOTOR - FROM SN. 4388126
 R-1909 ARMATURE FITS: D2-D3C WITH
 R-1767 MOTOR FROM SN. 4545550
 R-1974 ARMATURE FITS: D2-D3C WITH
 R-2104 MOTOR FROM SN. 46072000

***THE R-312 LOW PROFILE SEPARATOR AND R-1976 SPIDER ARE NO LONGER AVAILABLE FROM REXAIR. WHEN REPLACING THE SEPARATOR OR SPIDER ON D3 THRU EARLY D4 MOTORS YOU MUST REPLACE THE R-4100 SEPARATOR, R-4101 SPIDER AND THE R-H555 NUT.

Original **REXAIR**

Model D3C Motor Assembly R-2104
Beginning Serial No. 4607200 Start Date 6/5/82

KEY	PART NO.	DESCRIPTION
	R-2104	Packed Service Motor Ass'y
1	R-1423	Stage Housing Clip
2	R-1421	Stage Ass'y, Upper
3	R-1419	Stage Ass'y, Middle
4	R-1752	Stage Ass'y, Lower w/Grd
5	R-1418	Air Guide
6	R-1991	Bearing Plate Ass'y
7	R-1415	Gasket, Bearing Plate
8	R-665	Grommet
9	R-1642	Terminal Insulated
9	R-1853*	Terminal Insulated
10	R-H487	Cable Clamp
11	R-2424*	Field Ass'y
12	R-1454	Field Insulator
13	R-1974	Armature Ass'y
14	R-1448	Motor Housing
15	R-1987	Bearing Boot
16	R-1981	Ball Bearing
17	R-1979	Slinger Ring
18	NLA	Bearing Shield
19	R-H306	Shaft Nut
20	R-1984	Fan Spacer, Upper
21	R-1978	Fan Ass'y
22	NLA	Fan Spacer, Middle
23	R-1982	Fan Spacer, Lower
24	R-H475	Screw, Bearing Plate
25	R-H523	Retaining Ring
26	R-1975	Fan, Motor
27	R-2107	Fan Spacer
28	NLA	Shell, Motor Housing
29	R-H535	Field Screw
30	R-1795	Gasket, Lower Shell
31	R-1578	Terminal
32	R-1455	Gasket, Brush Holder
33	R-2490	Brush Holder Kit
33	R-2420*	Brush Holder
34	R-H309	Screw, Brush Holder
35	R-1552	Carbon Brush & Spring, Split-Type
35	R-2421*	Motor Brush
36	NLA	Screw Cap (Prior to 9/84)
37	R-1473	Retainer Cover Plate
38	NLA	Cover Plate
39	R-1470	Gasket, Cover Plate
40	R-1449	Insulation Field Screw Insert
41	R-1424	Air Deflector
42	R-H308	Screw, Lower Bearing
43	NLA	Spider
	RR-6260	Spider, Plastic D2-D3C
44	R-H526	Lock Nut Spider
45	R-H524	Acorn Nut



NLA = No Longer Available

* EFFECTIVE SERIAL NO 4838444 & 4826642-4830159

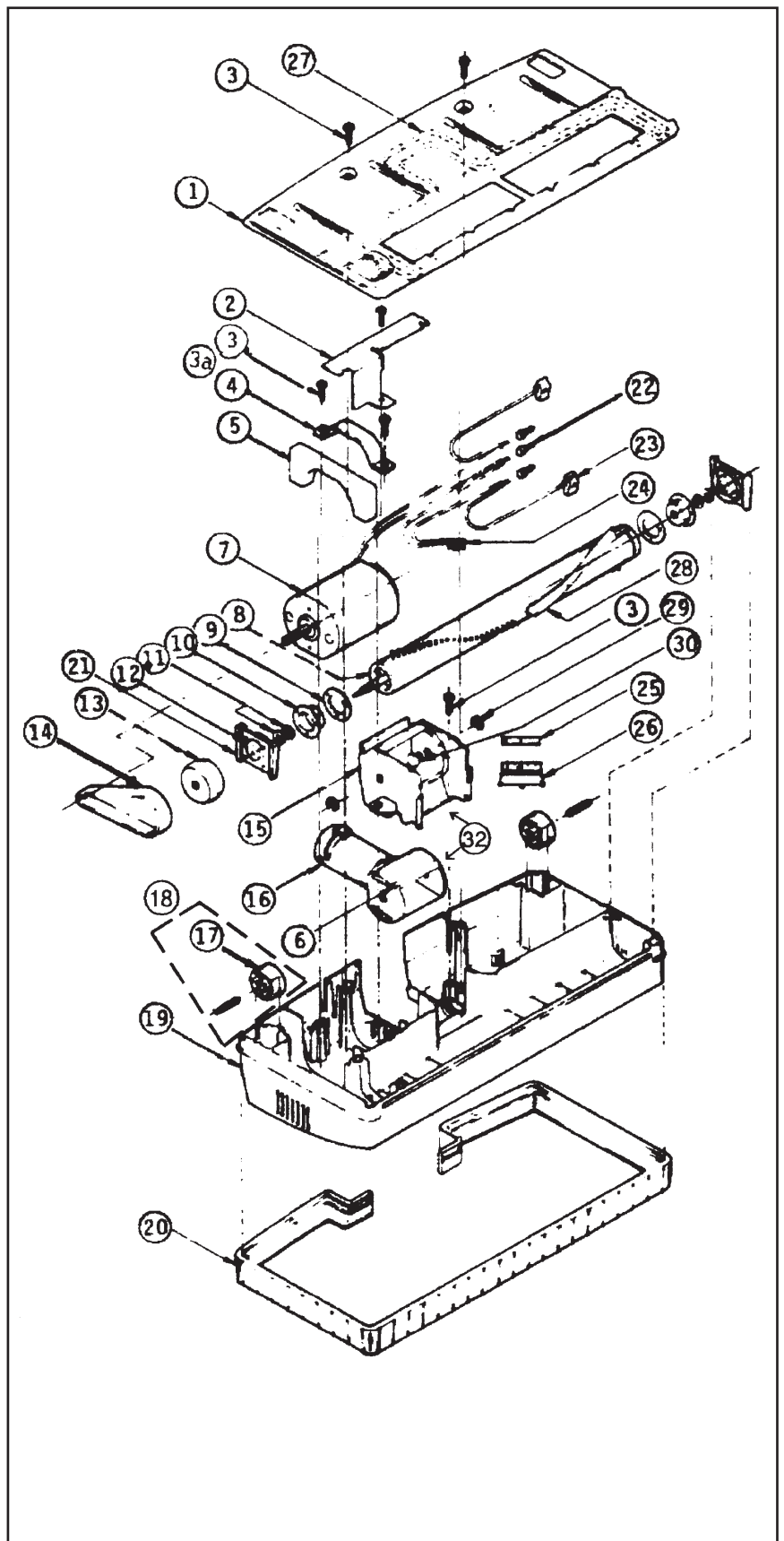
REXAIR Original

Model D3C Power Nozzle R-1650C

KEY	PART NO.	DESCRIPTION
1	R-2004	Sole Plate Ass'y
2	R-1997	Insulator
3	R-H515	Screw
3a	R-H552	Screws For Use W/O 1716
4	R-1716	Motor Bracket
5	R-1813	Air Barrier
6	R-2069	Felt Pad
7	R-1871	Motor
	R-4662	Power Nozzle Brush
	R-4663	Power Nozzle Bearing
8	R-1866	Brushroll Ass'y Complete
8	R-1690	Brush Dowel Only
9	R-1692	Felt Seal
10	R-1691	Keeper
11	R-1698	Thrust Washer
12	R-1744	Bearing Ass'y
		Includes:
	R-2443	End Caps
13	R-1702	Pulley
14	R-1699	Drive Belt
15	R-2803	Pivot Housing
16	R-2081	Pivot Arm Ass'y
17	NLA	Wheel (Order R-3432)
18	R-3432	Wheel Repair Kit
19	**	Main Housing
20	R-2795	Bumper
21	R-2443	End Cap
22	R-1775	Closed End Splice
23	R-1754	Lead Ass'y
24	R-1818	Indicator Light Ass'y
25	NLA	Circuit Breaker Insulator (Order R-8452)
26	R-8452	Circuit Breaker
27	R-2003	Sole Plate Gasket
28	R-1695	Beater Bar
29	R-H527	E-Ring
30	R-1996	Clevis Pin
31	R-3550	Sleeve Ass'y
32	R-2228	Pivot Arm & Housing Kit

NLA = No Longer Available

**** SERIALIZED HOUSINGS ARE NOT
CURRENTLY AVAILABLE FROM REXAIR**



Original **REXAIR**

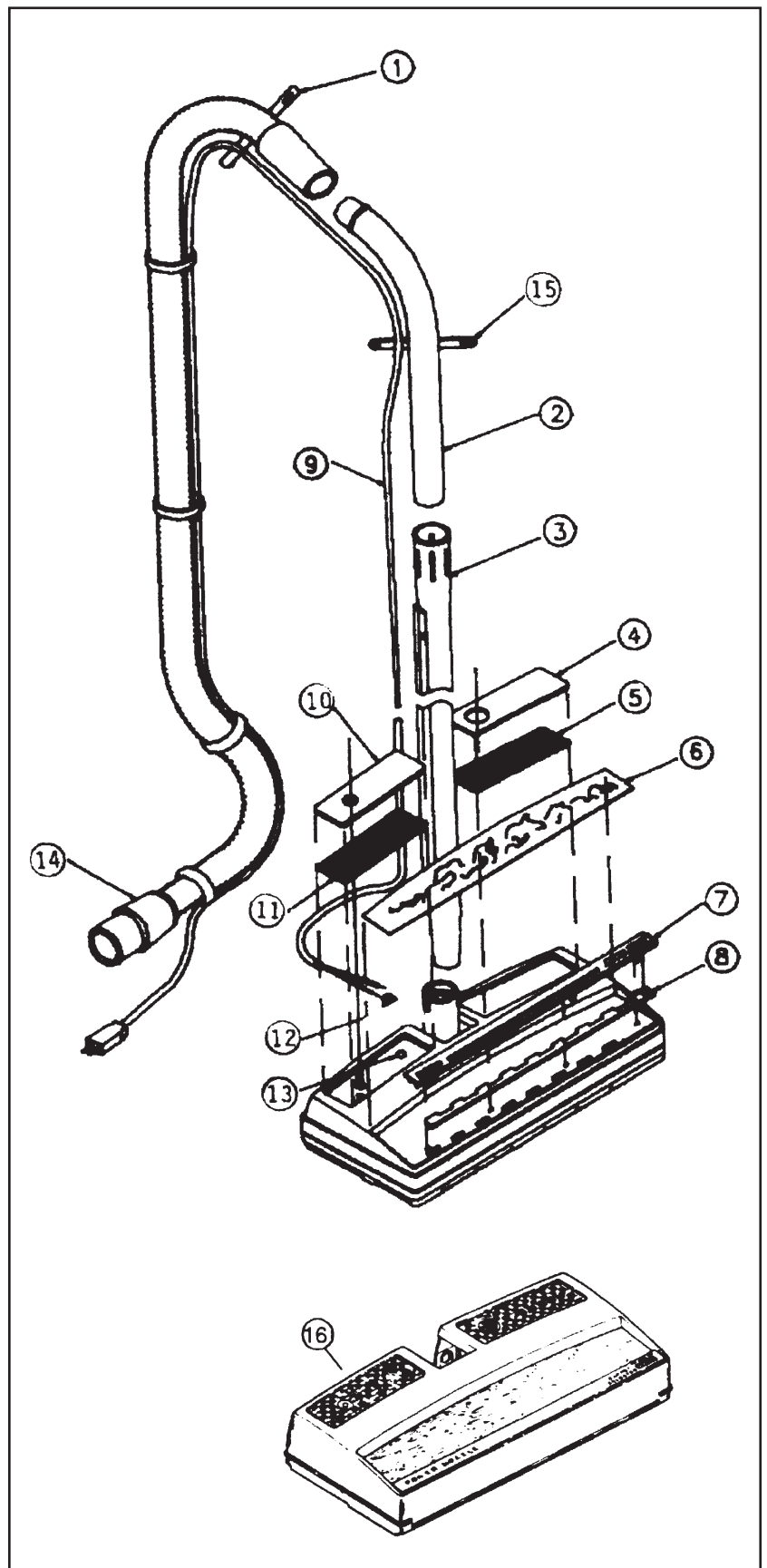
Model D3C Power Nozzle R-1650C

KEY	PART NO.	DESCRIPTION
1	R-2653	Strap, Hose Cord
2	NLA	Curved Wand Ass'y
3	R-2781	Straight Wand Ass'y
4	R-3050	Lens, Right Hand
4	NLA	Right Lens Ass'y (Up To Serial #00883682)
5	NLA	Applique, Right Hand
6	R-1994	Applique, Wood Grain
7	R-2775	Slide Valve Guide Ass'y
8	R-1990	Slide Valve
9	R-2496	Cord, Power Nozzle 138"
9	R-1717	Hose Cord 8 Ft. (Up To Serial #00469886)
9	R-1714	Wand Cord 44" (Up To Serial #00469886)
10	R-2685	Lens, Left Hand
10	NLA	Left Lens (Up To Serial # 00715518)
11	R-1729	Applique, Left Hand
12	R-4053	Strain Relief Bushing
13	NLA	Lens, Pilot Light
14	R-2786	Hose Ass'y Includes: R-2784* Hose Coupling Ass'y R-579* Molded Tip Only
15	R-2885	Strap, Wand Curved
	R-2002*	Operation Manual
	R-1877*	Extension Cord 8.5'
		Conversion 3 Wire to 2 Wire
16	R-2088**	Main Housing Ass'y Complete

* NOT SHOWN

** SERIALIZED HOUSINGS ARE NOT CURRENTLY AVAILABLE FROM REXAIR

NLA = No Longer Available



REXAIR Original

Model D3 Attachments

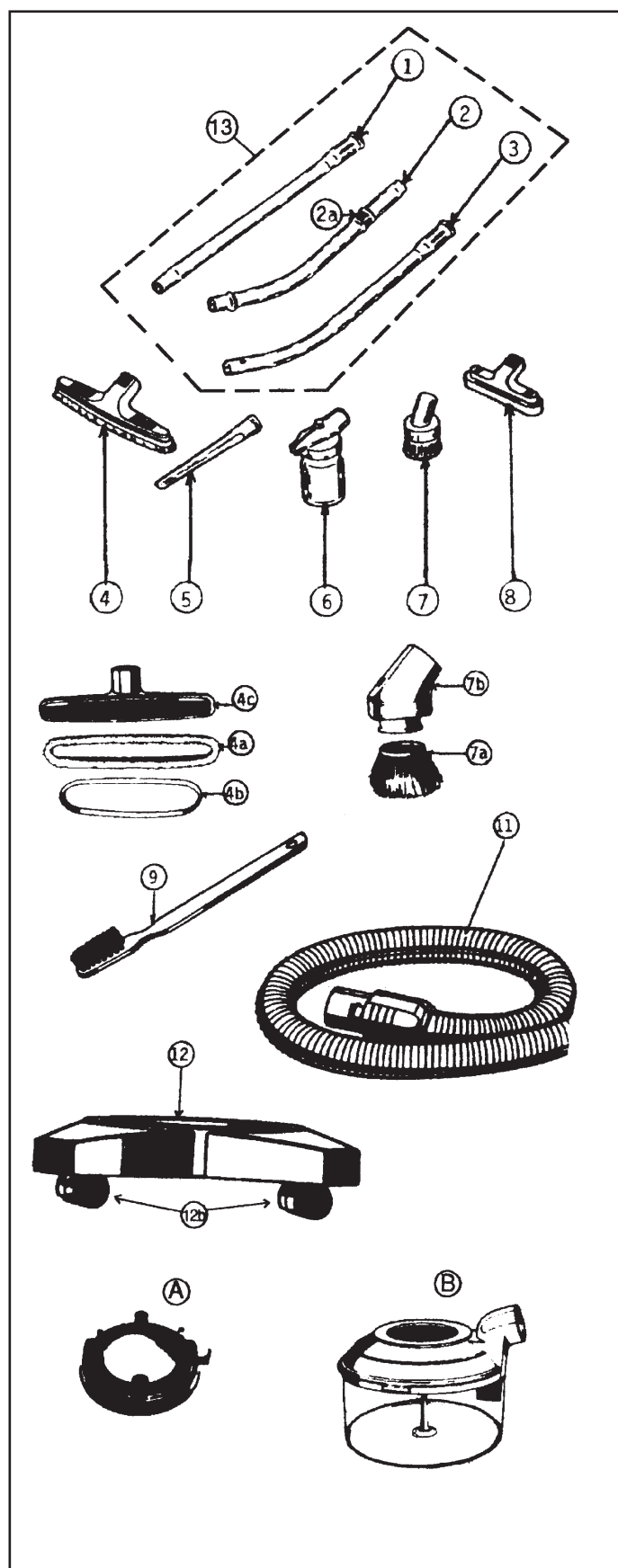
KEY	PART NO.	DESCRIPTION
1	NLA	Straight Wand (Order FA-5009)
1	FA-5009	Straight Wand
2	NLA	Curved Wand Ass'y
2a	R-2792	Suction Control Sleeve
3	NLA	Bottom Wand (Order RR-5000)
3	RR-5000	Bottom Wand
4	NLA	Floor Tool Ass'y (Order RR-5505)
4	RR-5505	Floor Tool Ass'y
4a	R-188	Floor Tool Bristles
4b	R-587	Floor Tool Bumper Guard
4c	R-2005	Floor Tool Body - Lower
4d	R-2006	Floor Tool Body - Upper
4e	R-H528	Screws
5	NLA	Crevice Tool
6	R-1365	Sprayer Ass'y
6a	R-209	Sprayer Jar
6b	NLA	Sprayer Tips
6c	R-212	Sprayer Valve Button
6d	R-1364	Sprayer Top Ass'y
7	NLA	Dusting Brush Ass'y
7a	R-192	Dusting Brush Bristles
7b	NLA	Dusting Brush Back
8	R-1508	Upholstery Tool Ass'y
8a	NLA	Upholstery Tool Brush
8b	R-1847	Upholstery Tool Body
9	R-841	Separator Brush
11	R-2786	Hose Ass'y
12	NLA	Dolly Without Castors (Order R-4560 & R-4149 Castor)
12a	R-3251	Dolly Applique
12b	R-1897	Castor Wheel Silver
12b	R-2812	Castor Wheel Gold
	NLA	Jet Air Rug Tool Ass'y (Order R-2532)
	R-1812*	Jet Air Rug Tool Brush
	R-1827*	Jet Air Rug Tool Shoe
	R-H520*	Flat Head Screw
	NLA	Jet Air Rug Tool Bumper
	R-1501*	Jet Air Rug Tool Body - Lower
	NLA	Jet Air Rug Tool Body - Upper
	R-2475*	Gasket
13	R-12972	Wand Kit, 3 Piece Upper, Middle, Lower D2-D4CSE

Optional Equipment

- A R-1730 Attachment Caddy
- B R-2823 4 Quart Water Pan

***NOT SHOWN**

NLA = No Longer Available



REXAIR Original

D Series Aquamate Water Extraction Unit & Fluid Control Ass'y Effective Serial No. 3000000

KEY	PART NO.	DESCRIPTION
1	R-2269	Front Plate
2	R-3581	AquaMate Head Decal
3	N/A	Extraction Head Ass'y
4	R-2846	Straight Wand Ass'y (Plastic)
	R-5426	Straight Wand Ass'y (Stainless)
5	R-6142	Bottle Latch
6	NLA	Right Housing Ass'y (Order R-6943)
	R-6943	Right And Left Housing Ass'y
7	R-H566	Screw
8	R-6140	Cam Wash/Rinse
9	R-6141	Actuator
10	R-6145	Curved Wand Ass'y
11	R-2340	Trigger
12	R-2428	Trigger Spring
13	R-2571	Valve Control Rod Ass'y
14	R-2400	Fluid Control Ass'y
15	R-2401	Hose Connection O-Ring
16	R-2402	Hose Connection
17	R-2602	Detergent Inlet Tube
18	R-2483	Bottle Fill Tube
19	NLA	Left Housing Ass'y (Order R-6943)
	R-6943	Right And Left Housing Ass'y
20	R-6144	Foam Gasket
21	R-2601	Flow Control
22	R-4620	Solution Bottle Ass'y
23	R-2026	40" Tube
24	NLA	Nozzle Clean-Out Tool
25	R-5398	Plastic Spray Nozzle
	R-2627	Brass Nozzle Support Plate (Up To Serial No. 2843234)
26	R-H491	Screw
27	R-2292	Brush Ass'y
28	R-2080	Long Adapter (Thick) Washer
29	R-2044	Screen Washer
30	R-6138	Stem Nut, Brass
31	R-2040	Tubing Clamp, Metal
32	NLA	50' Hose Ass'y
	R-4619	50' Hose (Included)
33	R-2065	Anti-Drip Washer, Thin Black
34	R-2079	Washer, Short Adapter
35	R-2045	Female Adapter, Double Threaded
36	NLA	Control Network Ass'y Comp
	R-2042	Swivel Stem (White Piece)
	R-6146	Vinyl Closure End Cap

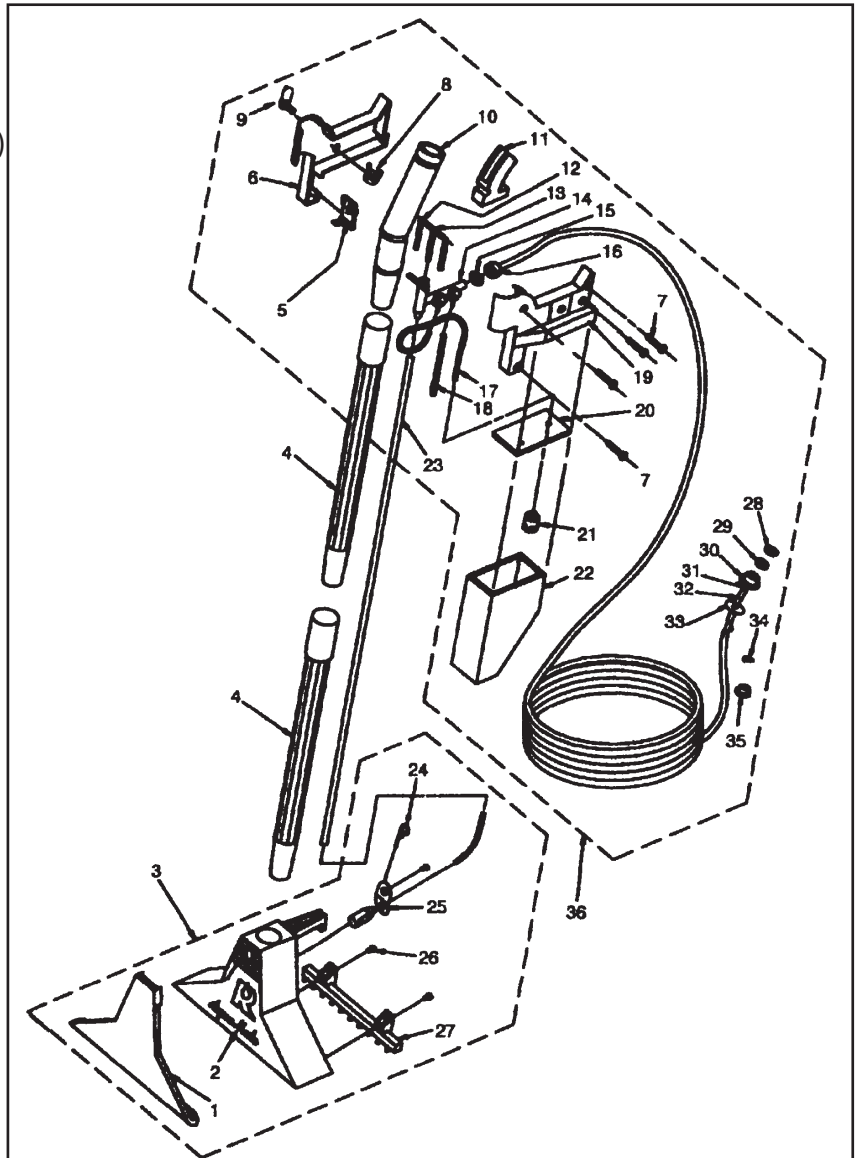


Figure B

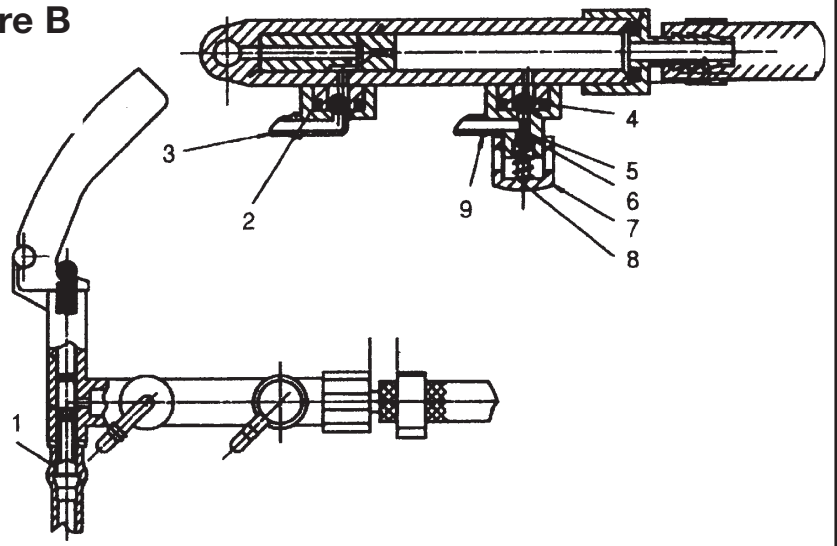


Figure B

1	R-2482	Connector Tube
2	R-2444	O-Ring
3	R-2397	Detergent Cap
4	R-2407	Check Ball
5	R-2409	O-Ring
6	R-2393	Washer O-Ring
7	R-2449	Button Ass'y
8	R-2410	Spring
9	R-2395	Bottle Fill Cap

N/A = Not Available