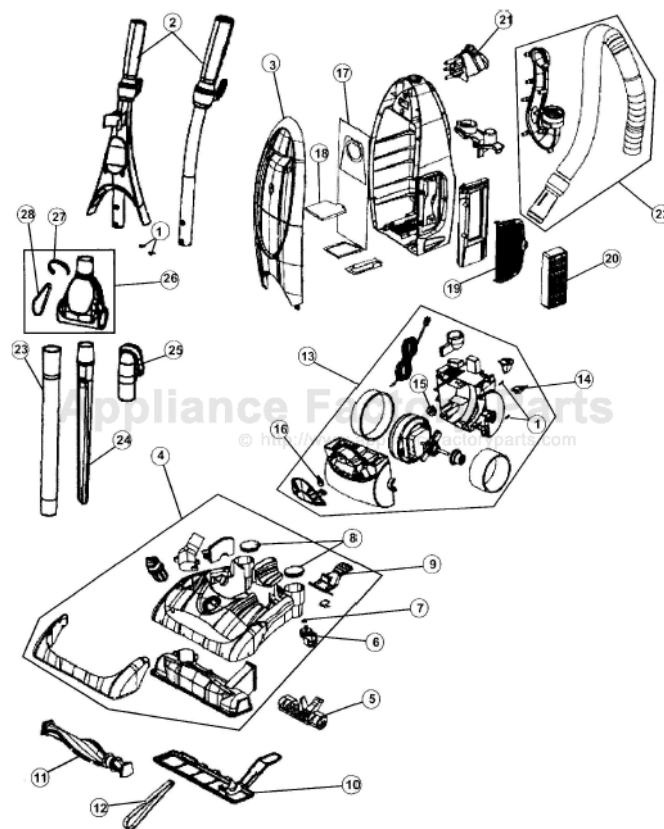


This Owner's Manual is provided and hosted by [Appliance Factory Parts](#).



Royal 086020 Owner's Manual

[Shop genuine replacement parts for Royal 086020](#)

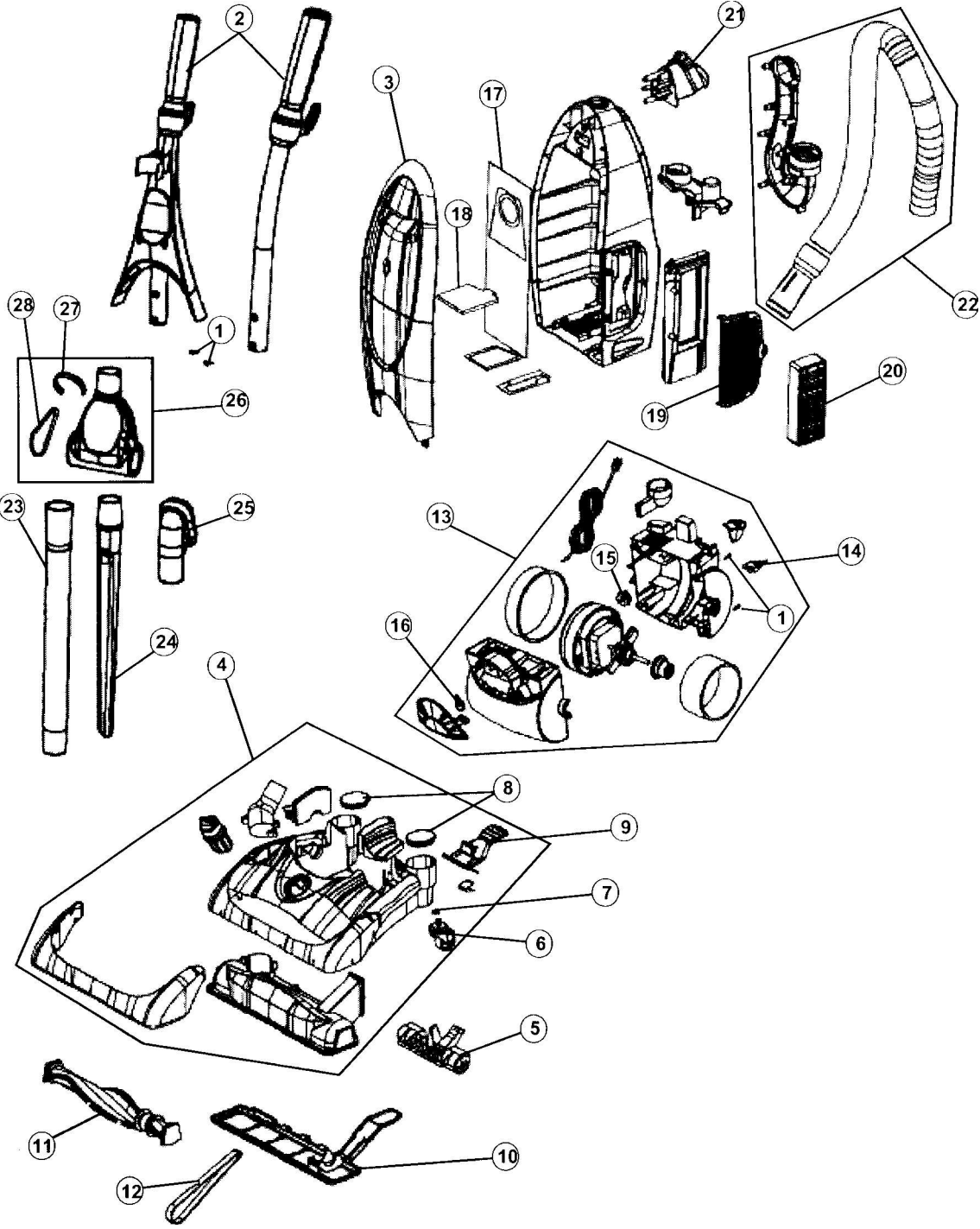


[Find Your Royal Vacuum Cleaner Parts - Select From 772 Models](#)

----- Manual continues below -----

MODEL NO.

086010
086020



Item	Part Number	Models To Fit	Part Description
1	1720430000	086010, 086020	SCREW - BODY
2	2PF0180000	086010	UPPER HANDLE ASSEMBLY - RED
	2PF0010000	086020	UPPER HANDLE ASSEMBLY - YELLOW
3	2PF0160300	086010	FRONT PANEL ASSEMBLY - RED
	2PF0160	086020	FRONT PANEL ASSEMBLY - YELLOW
4	2PF0100300	086010	NOZZLE COVER ASSEMBLY - RED
	2PF0100	086020	NOZZLE COVER ASSEMBLY - YELLOW
5	2PF0115600	086010, 086020	ROLLER LIFTER ASSEMBLY
6	2912370600	086010, 086020	CASTER
7	1912420000	086010, 086020	PAL NUT
8	1PF0105600	086010, 086020	CASTER COVER
9	1PF0104600	086010, 086020	HANDLE RELEASE PEDAL
10	1PF0107600	086010, 086020	NOZZLE GUARD
11	2PF0120000	086010, 086020	BRUSH ROLL ASSEMBLY
12	1540310001	086010, 086020	STYLE 5 BELT
13	2PF0130600	086010, 086020	MOTOR AND HOUSING ASSEMBLY
14	1860081000	086010, 086020	SWITCH
15	1881130000	086010, 086020	MOTOR GROMMET
16	1920906000	086010, 086020	BULB #906
17	1115011000	086010, 086020	TYPE U BAG
18	1PF0136000	086010, 086020	BAG CHAMBER FILTER
19	1PF0172000	086010,086020	EXHAUST FILTER COVER
20	2PF0176000	086010, 086020	F-20 EXHAUST FILTER
21	1PF0170300	086010	UPPER CARRYING HANDLE - RED
	1PF0170	086020	UPPER CARRYING HANDLE - YELLOW
22	2PF0190600	086010, 086020	HOSE ASSEMBLY
23	1JC0245600	086010, 086020	EXTENSION WAND
24	1JC0250600	086010, 086020	CREVICE TOOL
25	2920215600	086010, 086020	2 IN 1 BRUSH ASSEMBLY
26	2UTT000000	086010, 086020	TURBO TOOL
27	1UTT030000	086010, 086020	TURBO TOOL LOCK NUT RUNG
28	1UTT020000	086010, 086020	TURBO TOOL BELT