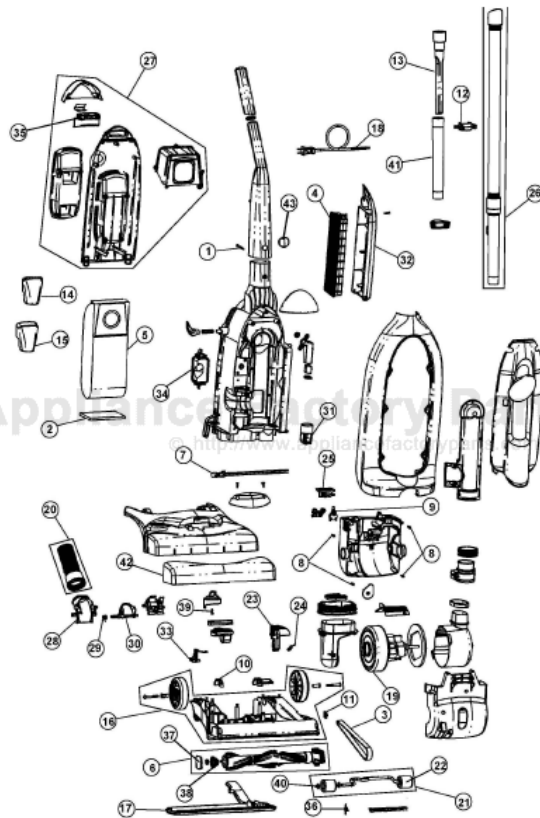


This Owner's Manual is provided and hosted by [Appliance Factory Parts](#).



# Royal 091015 Owner's Manual

[Shop genuine replacement parts for Royal 091015](#)



[Find Your Royal Vacuum Cleaner Parts - Select From 772 Models](#)

----- Manual continues below -----

# Dirt Devil®

PLATINUM  
FORCE

MAGNA  
POWER

《VIBE™》

## ASSEMBLY SCHEMATIC

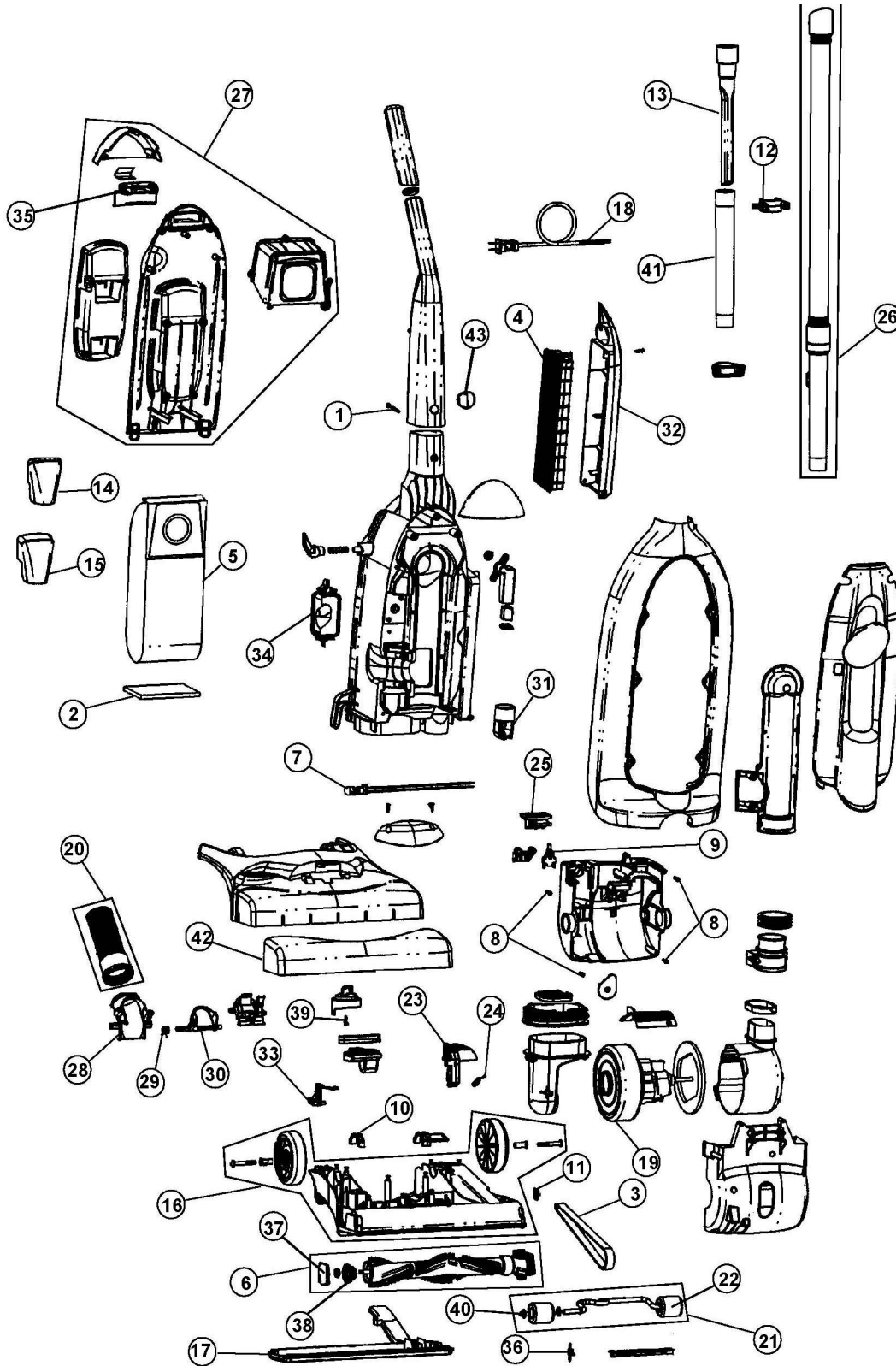
MODEL NO.

091000

091010

091015

091020V





## PART LISTING

Item	Part Number	Models To Fit	Part Description
1	RO-910100	ALL	HANDLE SCREW
2	RO-910115	ALL	BAG CHAMBER FILTER
3	RO-910340	ALL	STYLE 12 BELT
	RO-910355	ALL	STYLE 12 BELT / 2 PACK
4	RO-690320	ALL	SIDE HEPA EXHAUST FILTER
5	RO-920075	ALL	TYPE U BAG / 3 PACK
6	RO-910392	ALL	BRUSH ROLL ASSEMBLY
7	1920906000	ALL	BULB #906
8	RO-250100	ALL	BODY SCREW
9	RO-860081	ALL	SWITCH
10	RO820351	ALL	PIVOT CLAMP
11	RO-720380	ALL	CLIP, BELT GUIDE
12	RO-912475	ALL	WAND CLIP
13	RO-912470	ALL	CREVICE TOOL
14	RO-912165	ALL	UPHOLSTERY TOOL
15	RO-912160	ALL	DUSTING TOOL
16	RO-910405	ALL	NOZZLE BASE W/WHEELS
17	RO-910395	ALL	NOZZLE GUARD
18	RO-912190	ALL	POWER CORD 32'
19	RO-910175	ALL	MOTOR
20	RO-910245	ALL	LOWER HOSE ASSEMBLY
21	RO-910915	ALL	WIREFORM ASSEMBLY
22	RO-910330	ALL	FRONT WHEEL
23	RO-910342	ALL	HANDLE RELEASE PEDAL
24	RO-910350	ALL	HANDLE RELEASE PEDAL SPRING
25	RO-910425	ALL	SWITCH PEDAL
26	RO-910215	ALL	HOSE ASSEMBLY
27	RO-910060	ALL	BACK PANEL ASSEMBLY
28	RO-910290	ALL	DIRT PASSAGE TUBE
29	RO-910270	ALL	DIRT PASSAGE DOOR SPRING
30	RO-910265	ALL	DIRT PASSAGE DOOR
31	RO-910220	ALL	WAND ADAPTOR
32	RO-910140	ALL	FILTER COVER
33	RO-910280	ALL	LINKAGE ACTUATOR
34	RO-910055	ALL	CLEAN OUT COVER DOOR

091000

091010

091015

091020V



## PART LISTING

### MODEL NO.

Item	Part Number	Models To Fit	Part Description
35	R0-910080	ALL	LATCH SPRING
36	R0-910320	ALL	WIREFORM SPRING
37	R0-910380	ALL	END CAP - ORDER # 6
38	R0-910385	ALL	BEARING SUPPORT
39	R0-910400	ALL	HEIGHT ADJUSTMENT SCREW
40	R0-912420	ALL	WHEEL RETAINER
41	R0-910031	ALL	EXTENSION WAND
42	R0-910235	ALL	BUMPER
43	R0-910020	ALL	HANDLE FASTENER

091000

091010

091015

091020V