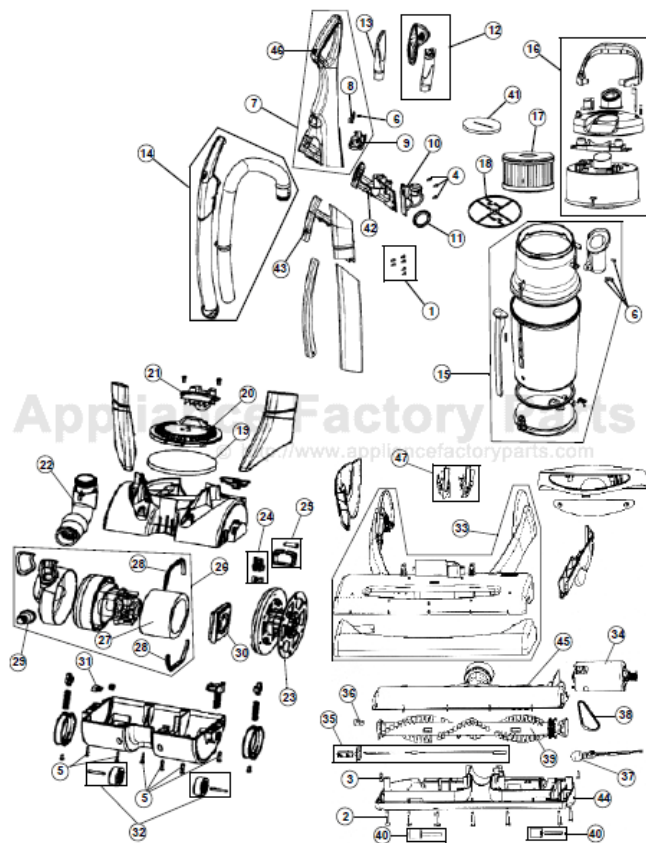


This Owner's Manual is provided and hosted by [Appliance Factory Parts](#).



Royal X3 Owner's Manual

[Shop genuine replacement parts for Royal X3](#)



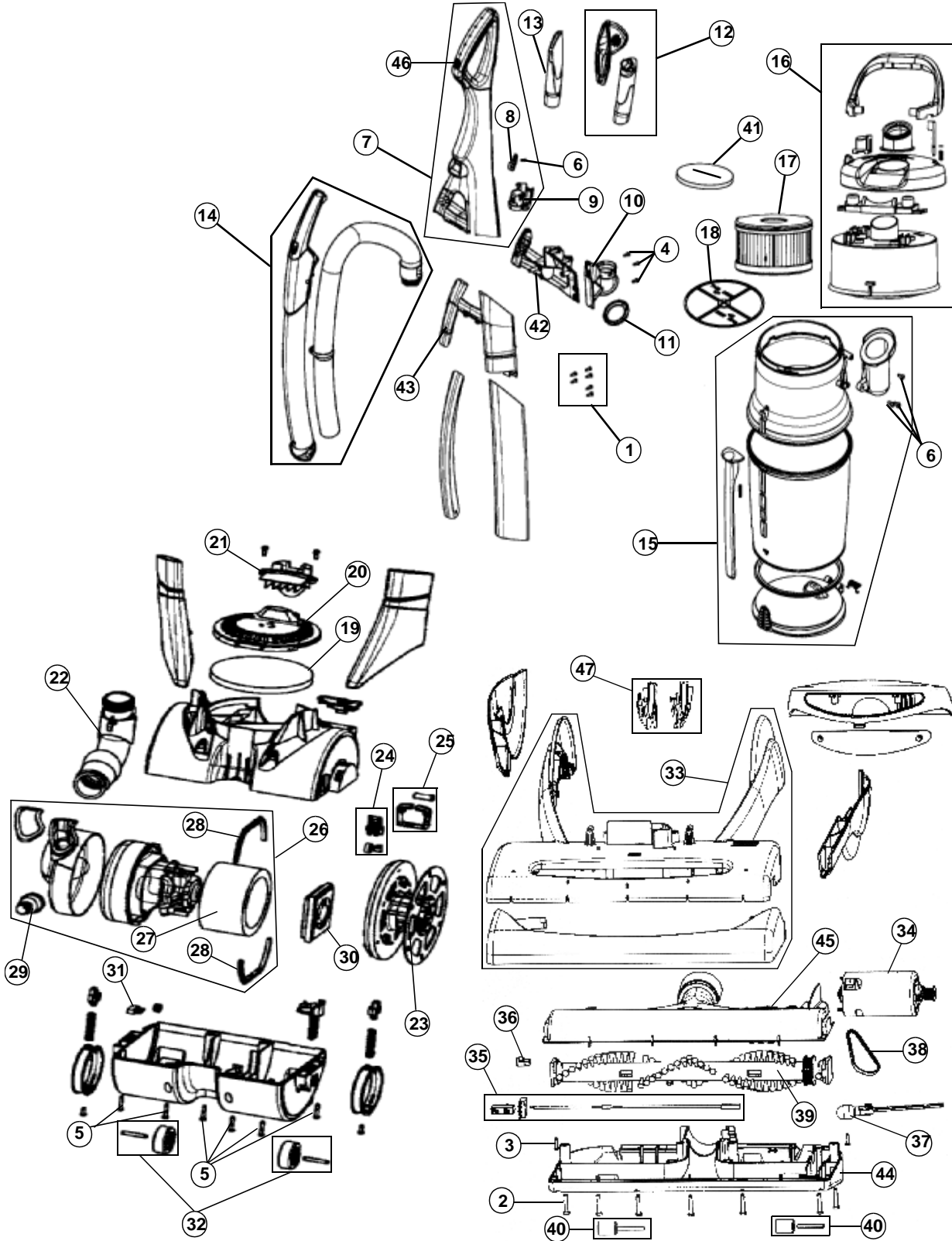
[Find Your Royal Vacuum Cleaner Parts - Select From 772 Models](#)

----- Manual continues below -----



X3 X5

ASSEMBLY SCHEMATIC



X3
X5
X5ES



X3 X5

PART LISTING

| Item | Part Number | Models To Fit | Part Description |
|------|-------------|---------------|-------------------------------------|
| 1 | 2LJ0709000 | X3, X5, X5ES | HANDLE SCREW PACKAGE (6) |
| 2 | 1LJ0701000 | X3, X5, X5ES | SCREW - BODY |
| 3 | 1LJ0070200 | X3, X5, X5ES | SCREW - NOZZLE BASE |
| 4 | 1LJ0709000 | X3, X5, X5ES | SCREW - INLET ELBOW |
| 5 | 1LJ0900000 | X3, X5, X5ES | SCREW - MOTOR HOUSING |
| 6 | 1LJ0708000 | X3, X5, X5ES | SCREW - CORD HOOK / DIRT INLET |
| 7 | 2LJ0260000 | X3 | UPPER HANDLE ASSEMBLY - ORANGE |
| | 2LJ0909000 | X5, X5ES | UPPER HANDLE ASSEMBLY - PURPLE |
| 8 | 1LJ0280000 | X3, X5, X5ES | CORD HOOK - GREY |
| 9 | 1LJ0285000 | X3, X5, X5ES | TOOL CLIP - GREY |
| 10 | 1LJ0290000 | X3, X5, X5ES | INLET ELBOW HOSE ADAPTOR |
| 11 | 1LJ0291000 | X3, X5, X5ES | INLET ELBOW HOSE ADAPTOR SEAL |
| 12 | 2LJ0500000 | X3, X5, X5ES | UPHOLSTERY / STAIR TOOL ASSY - GREY |
| 13 | 2LJ0510000 | X3, X5, X5ES | CREVICE TOOL - GREY |
| 14 | 2LJ0400000 | X3, X5, X5ES | UPPER HOSE & WAND ASSEMBLY - ORANGE |
| 15 | 2LJ0300000 | X3, X5, X5ES | DIRT CUP ASSEMBLY - SMOKE |
| 16 | 2LJ0330000 | X3, X5, X5ES | DIRT CUP LID ASSEMBLY - GREY |
| 17 | 3VX10A | X3, X5, X5ES | HEPA FILTER ASSEMBLY |
| 18 | 2LJ0370000 | X3, X5, X5ES | FILTER SCREEN ASSEMBLY |
| 19 | 3VX13U | X3, X5, X5ES | HEPA EXHAUST FILTER - 2 PACK |
| 20 | 1LJ0245000 | X3, X5, X5ES | EXHAUST FILTER HOUSING |
| 21 | 1LJ0247000 | X3, X5, X5ES | EXHAUST FILTER HOUSING LOCK |
| 22 | 2LJ0065600 | X3, X5, X5ES | LOWER HOSE ASSEMBLY |
| 23 | 2LJ0180000 | X3, X5, X5ES | CORD REWIND ASSEMBLY |
| 24 | 2LJ0226000 | X3, X5, X5ES | PEDAL & BREAK ASSEMBLY |
| 25 | 2LJ0221000 | X3, X5, X5ES | CORD GUIDE - ORANGE |
| 26 | 2LJ0170000 | X3, X5, X5ES | MOTOR ASSEMBLY |
| 27 | 1LJ0174000 | X3, X5, X5ES | MOTOR SOUND FOAM |
| 28 | 1LJ0172600 | X3, X5, X5ES | MOTOR SUPPORT RING |
| 29 | 2LJ0175600 | X3, X5, X5ES | AIR BLEED VALVE ASSEMBLY |
| 30 | 1LJ0173000 | X3, X5, X5ES | MOTOR GROMMET |
| 31 | 1LJ0205000 | X3, X5, X5ES | MICRO SWITCH |
| 32 | 2LJ0230000 | X3, X5, X5ES | REAR WHEEL & PIN ASSEMBLY |
| 33 | 2LJ0015CB0 | X3 | NOZZLE COVER ASSEMBLY - ORANGE |
| | 2LJ0015CC0 | X5, X5ES | NOZZLE COVER ASSEMBLY - PURPLE |

X3
X5
X5ES

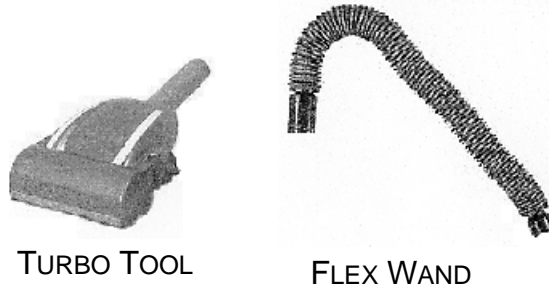


X3 X5

PART LISTING

| Item | Part Number | Models To Fit | Part Description |
|------|-------------|---------------|----------------------------------|
| 34 | 2LJ0050000 | X3, X5, X5ES | BRUSH ROLL MOTOR |
| 35 | 2912177000 | X3, X5, X5ES | RECTIFIER ASSEMBLY |
| 36 | 1UA0210000 | X3, X5, X5ES | CIRTCUIT BREAKER RESET ASSEMBLY |
| 37 | 1920906000 | X3, X5, X5ES | LIGHT BULB |
| 38 | 1LJ0055600 | X3, X5, X5ES | DRIVE BELT |
| 39 | 2LJ0030000 | X3, X5, X5ES | BRUSH ROLL ASSEMBLY |
| 40 | 2QC0185600 | X3, X5, X5ES | FRONT WHEEL ASSEMBLY |
| 41 | 1LJ0371000 | X3, X5, X5ES | FOAM FILTER |
| 42 | 1LJ0255000 | X3, X5, X5ES | UPPER HANDLE BACK SUPPORT - ORG |
| 43 | 1LJ0256000 | X3, X5, X5ES | UPPER HANDLE FRONT SUPPORT - ORG |
| 44 | 1LJ0010000 | X3, X5, X5ES | NOZZLE BASE |
| 45 | 1LJ0016X00 | X3, X5, X5ES | BRUSH ROLL HOUSING - CLEAR |
| 46 | 1LJ0270000 | X3, X5, X5ES | SWITCH |
| 47 | 1LT1014000 | X3, X5, X5ES | PIVOT CLAMP - SET 2 RIGHT/LEFT |
| | 1VAX000000 | X3, X5, X5ES | VAX TOOL BIT |

X3
X5
X5ES



ACCESSORIES

| Item | Part Number | Models To Fit | Part Description |
|------|-------------|---------------|---|
| | XVX12T | X3, X5, X5ES | TURBO TOOL - PURPLE |
| | XVX11W | X3, X5, X5ES | FLEX WAND - PURPLE |
| (19) | 3VX53T | X3, X5, X5ES | SCENT FILTER - SUMMER TROPICAL BREEZE (1) |
| | 3VX50A | X3, X5, X5ES | SCENT FILTER - FALL BAKED APPLE (1) |
| | 3VX51C | X3, X5, X5ES | SCENT FILTER - WINTER CINNAMON (1) |
| | 3VX52L | X3, X5, X5ES | SCENT FILTER - SPRING LEMON VERBENA (1) |