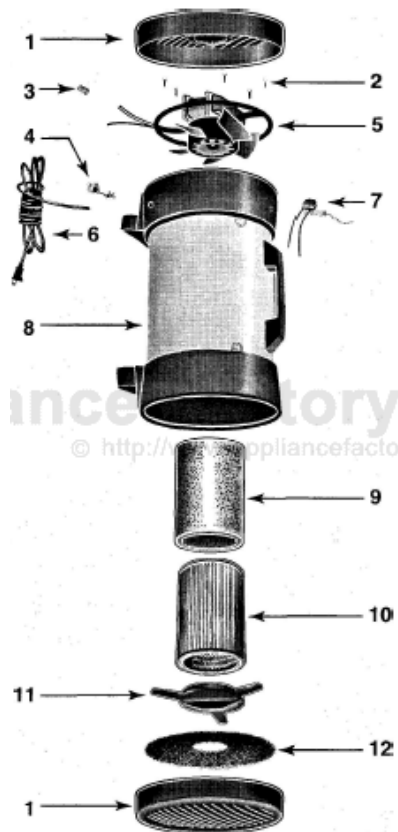


This Owner's Manual is provided and hosted by [Appliance Factory Parts](http://www.ApplianceFactoryParts.com).



Shop Vac AC235 Owner's Manual

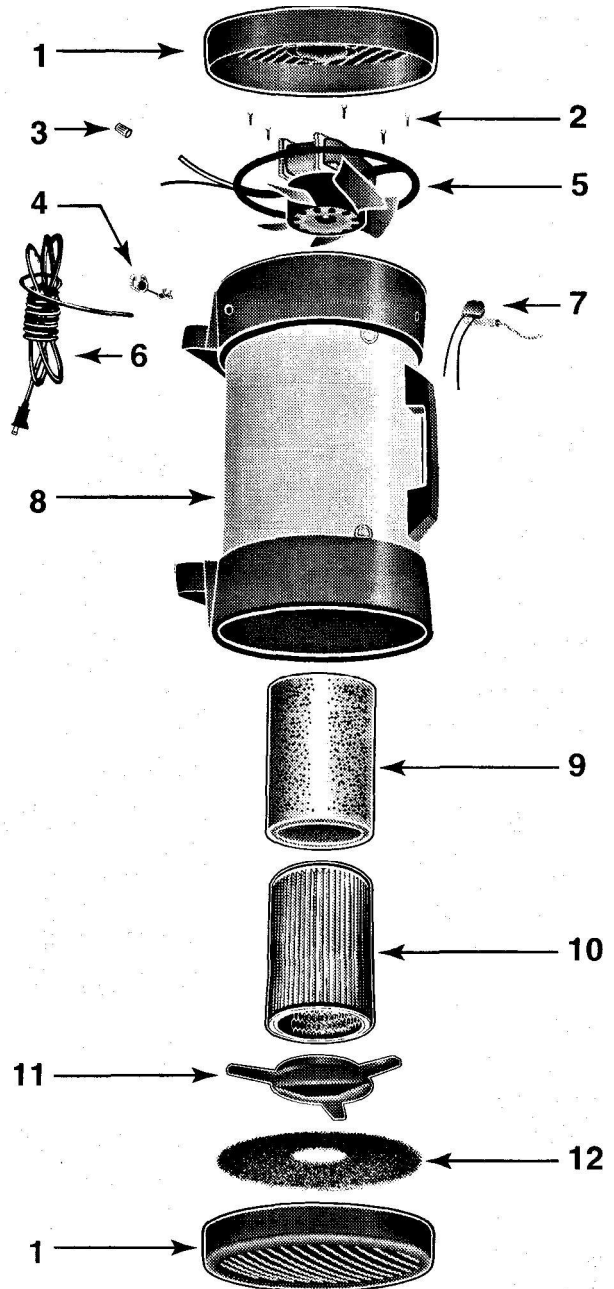
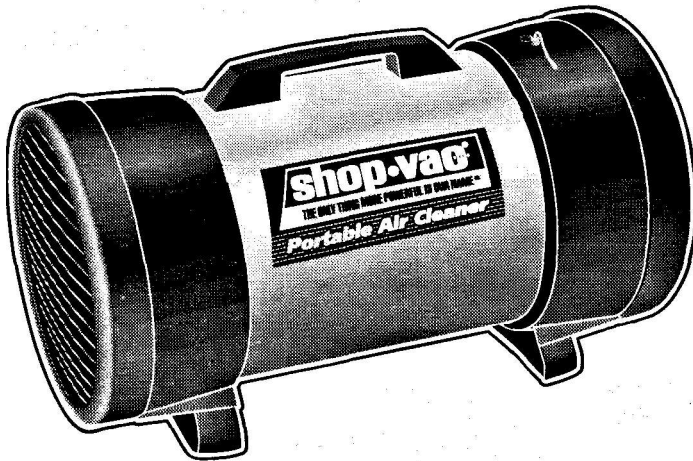
[Shop genuine replacement parts for Shop Vac AC235](#)



[Find Your Shop Vac Vacuum Cleaner Parts - Select From 487 Models](#)

----- Manual continues below -----

Model - AC235



ITEM	DESCRIPTION	PART NO.
1	Guard	6220400
2	Screws #10x1" Type AB Slotted Hex Hd	1509699
3	Wire Nut	0500199
4	Strain Relief	3400999
5	Motor	6220197
6	Cord	6221100
7	Switch	6220697
8	Tank	6222197
9	Foam Sleeve	2111002
10	Cartridge Filter	9156000
11	Filter Retainer	6220200
12	Intake Filter	6221000

TWO-YEAR HOME USE WARRANTY

Your Shop-Vac® Portable Room Air Cleaner is warranted in normal household use, in accordance with the User Manual, against original defects in material and workmanship for a period of two years from date of purchase. Should this product be used for commercial or rental use, a 90-day limited warranty will apply. Shop-Vac Corporation warrants placing this air cleaner in correct operating condition, by repair or parts replacement, during the warranty period, without charge. This warranty does not cover accessories. Use of non-recommended filters and/or accessories may void the manufacturer's warranty.

SC87521-64