

This Owner's Manual is provided and hosted by [Appliance Factory Parts](#).



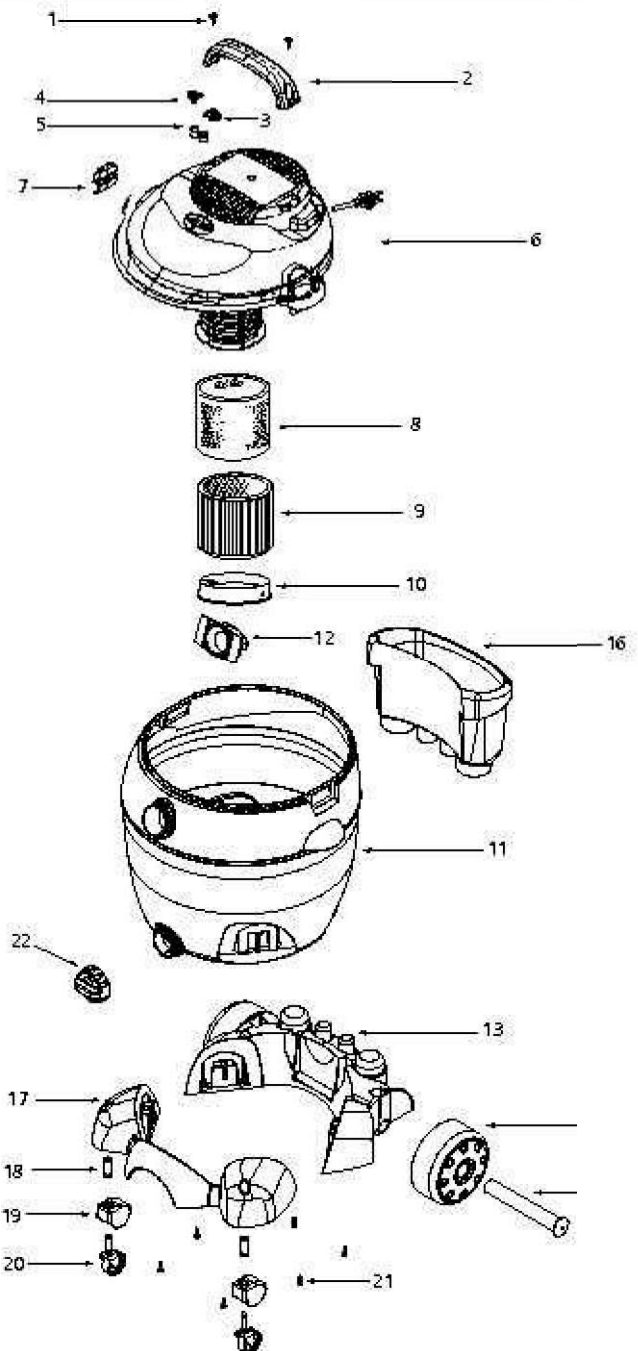
Shop Vac LM500 Owner's Manual

[Shop genuine replacement parts for Shop Vac LM500](#)



[Find Your Shop Vac Vacuum Cleaner Parts - Select From 487 Models](#)

----- Manual continues below -----



1	Screw 1/4" 3/4 Trilobe T25 HD	1515933
2	Handle	7441300
3	Switch Eutton - Red	7441510
4	Switch Button - Green	7441500
	Spring	2&02&33
6	Power Unit Assembly	7230037
7	Lid Latch	7441 600
a	Foam Sleeve	305*562
3	Cartridge Filter	3030462
10	Filter Retainer	300&000
11	Tank Assembly	73 30037
12	Inlet Deflector	7413100
13	Rear Wheel DoMy^Tool Holder	7440100
14	Axle	7410300
15	Rear Wheel	7440300
16	Accessory Basket	3065&00
17	Front Caster Dolly	7430150
18	Retainer	45 55500
19	Caster Cover	7443001
20	Caster	6772200
21	Screw 10x3/4 SL IHX HD	15 03333
22	Drain Cover.	7443422

STANDARD ACCESSORIES

- 8' x 2-1/2" hose
- 2 - 2-1/2" extension wands
- 14" floor nozzle w/ brush
- 2-1/2" crevice tool
- 8" utility nozzle
- hose holder
- 14" squeegee insert

FOUR-YEAR HOME USE WARRANTY

Your Shop-Vac® vacuum cleaner is warranted in normal household use, in accordance with the User Manual, against original defects in material and workmanship for a period of four years from date of purchase. Should this product be used for commercial or rental use, a 90 day limited warranty will apply. Shop-Vac Corporation warrants placing this vacuum cleaner in correct operating condition, by repair or parts replacement, during the warranty period, without charge. This warranty does not cover accessories. Use of non-recommended filters and/or accessories may void the manufacturer's warranty.