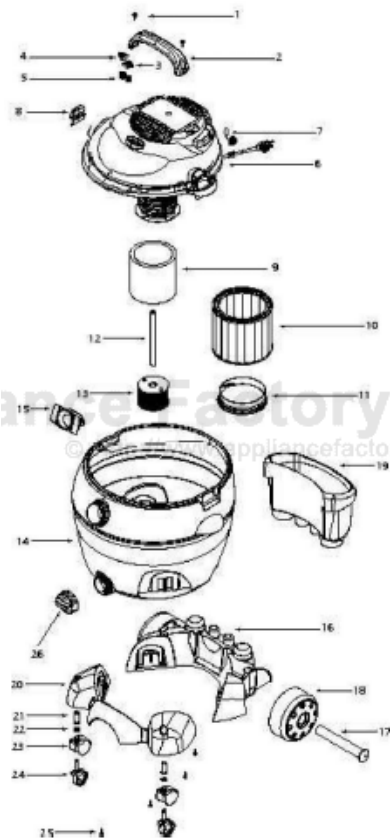


This Owner's Manual is provided and hosted by [Appliance Factory Parts](http://Appliance Factory Parts).



# Shop Vac LPV550 Owner's Manual

[Shop genuine replacement parts for Shop Vac LPV550](#)



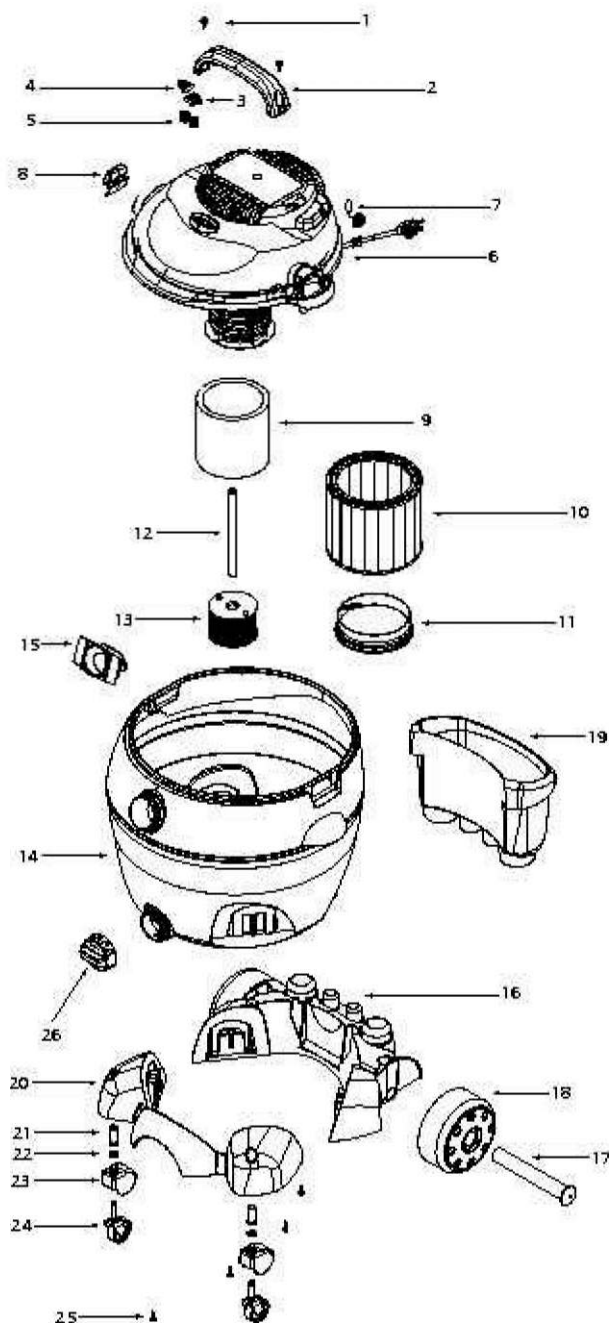
[Find Your Shop Vac Vacuum Cleaner Parts - Select From 487 Models](#)

----- Manual continues below -----

shop-vac

# Model - LPV550

Catalog 9301411  
(14 Gal.) LOWES



ITEM	DESCRIPTION	PART NO.
1	Screw 1 /A x 3/4 Trilobe T25 HD	1515999
2	Handle	7441401
i	Switch Button - Red	74415 10
4	Switch Button - Green	74415 00
5	Spring	2502599
5	Power Unit Assembly	72301 97
7	Outlet Fitting Cap	7443310
	Lid Latch	7441601
9	Foam Sleeve	9058562
10	Cartridge Filter	9030462
11	Filter Retainer	300&030
12	Pickup Tube	2723 101
13	Pickup Cage Assembly	7412250
14	Tank Assembly	73925 97
15	inlet De-flector	74131 00
16	Rear Wheel Dolly/Tool Holder	7440201
17	Axle	7410901
18	Rear Wheel	7440401
19	Accessory Basket	9054&00
20	Front Caster Dolly	743 0251
21	Retainer	8565700
22	Flatwasher	07043 99
23	Caster Cover	7443000
24	Caster	6773 900
25	Screw 10s 3/4 SL HX HD	1503999
26	Drain Cover	7443420

**STANDARD ACCESSORIES**

- 8' x 2-1/2" hose
- 2 - 2-1/2" extension wands
- 14" floor nozzle w/ brush
- 2-1/2" crevice tool
- 8" utility nozzle
- hose holder
- 14" squeegee insert

**FOUR-YEAR HOME USE WARRANTY**

Your Shop-Vac® vacuum cleaner is warranted in normal household use, in accordance with the User Manual, against original defects in material and workmanship for a period of four years from date of purchase. Should this product be used for commercial or rental use, a 90 day limited warranty will apply. Shop-Vac Corporation warrants placing this vacuum cleaner in correct operating condition, by repair or parts replacement, during the warranty period, without charge. This warranty does not cover accessories. Use of non-recommended filters and/or accessories may void the manufacturer's warranty.