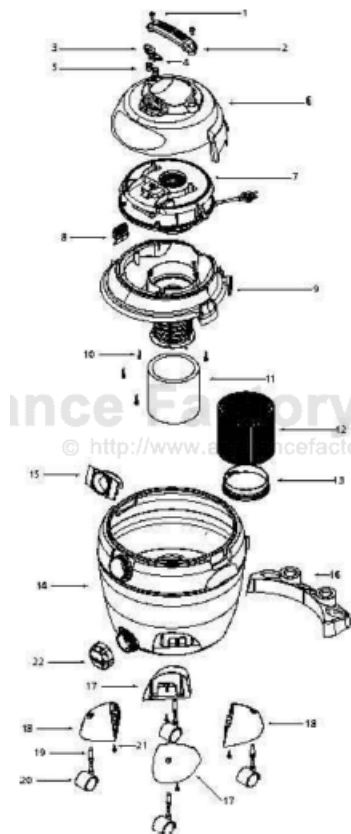


This Owner's Manual is provided and hosted by [Appliance Factory Parts](http://www.appliancefactoryparts.com).



Shop Vac QUM600 Owner's Manual

[Shop genuine replacement parts for Shop Vac QUM600](#)



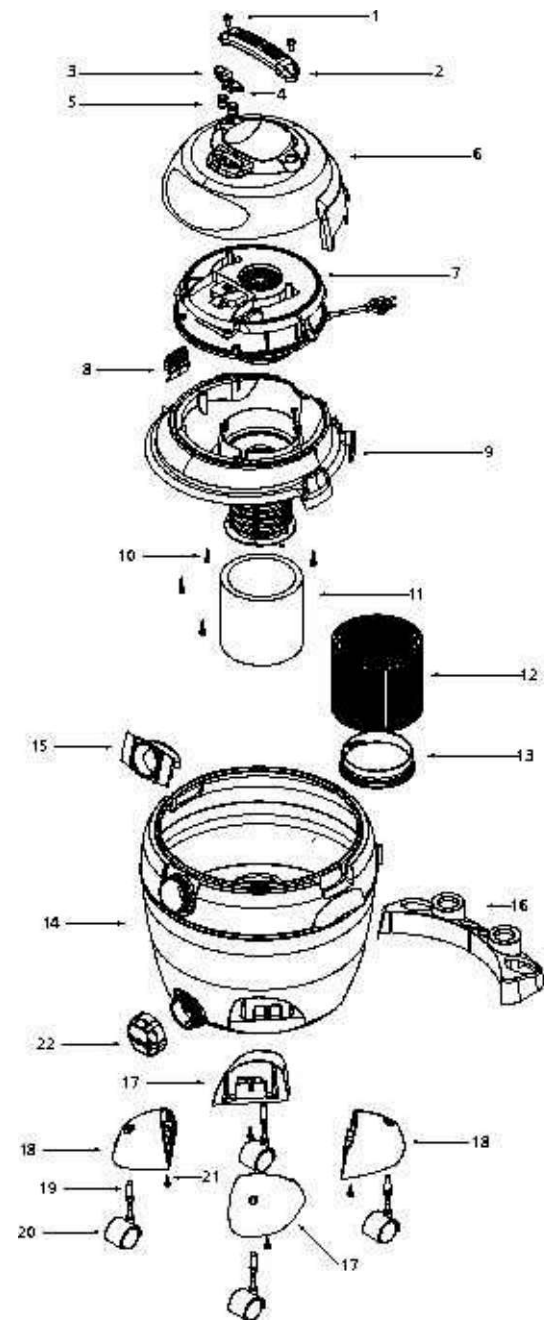
[Find Your Shop Vac Vacuum Cleaner Parts - Select From 487 Models](#)

----- Manual continues below -----

shop-vac

Model - QUM600

Catalog 9611700
(16 Gal.)



ITEM	DESCRIPTION	PART NO
1	Screw 1«x3MTrilobe T30 hD	1515999
2	Handle	7444400
3	Switch Sutton - On	7414200
4	Switch Button - Off	7414210
5	Spring	2802899
6	Motor Cover Assembly	1944081
7	Power Unit Assembly	7261397
8	Lid Latch	7444500
9	Lid Cage and Latch Assembly	7443660
10	Screw 10 x 3/4 Trilobe T25 Head	1516099
11	Foam Sieve	9058552
12	Cartridge Filter	9030462
13	Filter Retainer	3008000
14	Tank Assembly	1022597
15	Inlet DeFlector	7413100
16	Tool Holder	9012800
17	Cast erfoot A	8567000
18	Cast erfoot 5	856701 0
19	Retainer	8565500
20	Caster	6774200
21	Screw 10x3/4 SL Hex HD	1503999
22	Drain Cover	7413620

STANDARD ACCESSORIES

- 8' x 2-1/2" Locking hose
- 2 - 2-1/2" Extension wands
- 14" Floor Nozzle w/brush
- 14" Squeegee Insert
- 8" Utility nozzle

THREE-YEAR HOME USE WARRANTY

Your Shop-Vac® vacuum cleaner is warranted in normal household use, in accordance with the User Manual, against original defects in material and workmanship for a period of three years from date of purchase. Should this product be used for commercial or rental use, a 90 day limited warranty will apply. Shop-Vac Corporation warrants placing this vacuum cleaner in correct operating condition, by repair or parts replacement, during the warranty period, without charge. This warranty does not cover accessories. Use of non-recommended filters and/or accessories may void the manufacturer's warranty.

SC87526-72