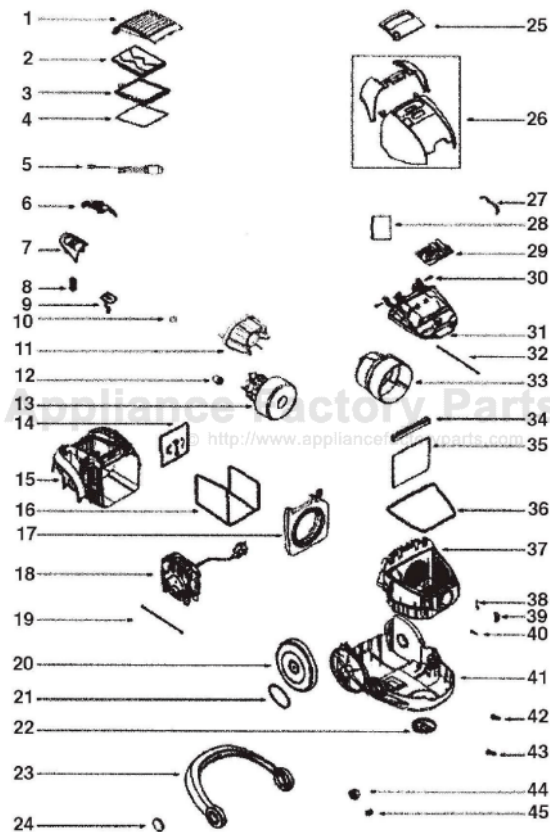


Electrolux EL6988A Owner's Manual

[Shop genuine replacement parts for Electrolux
EL6988A](#)



[Find Your Electrolux Vacuum Cleaner Parts - Select From 68 Models](#)

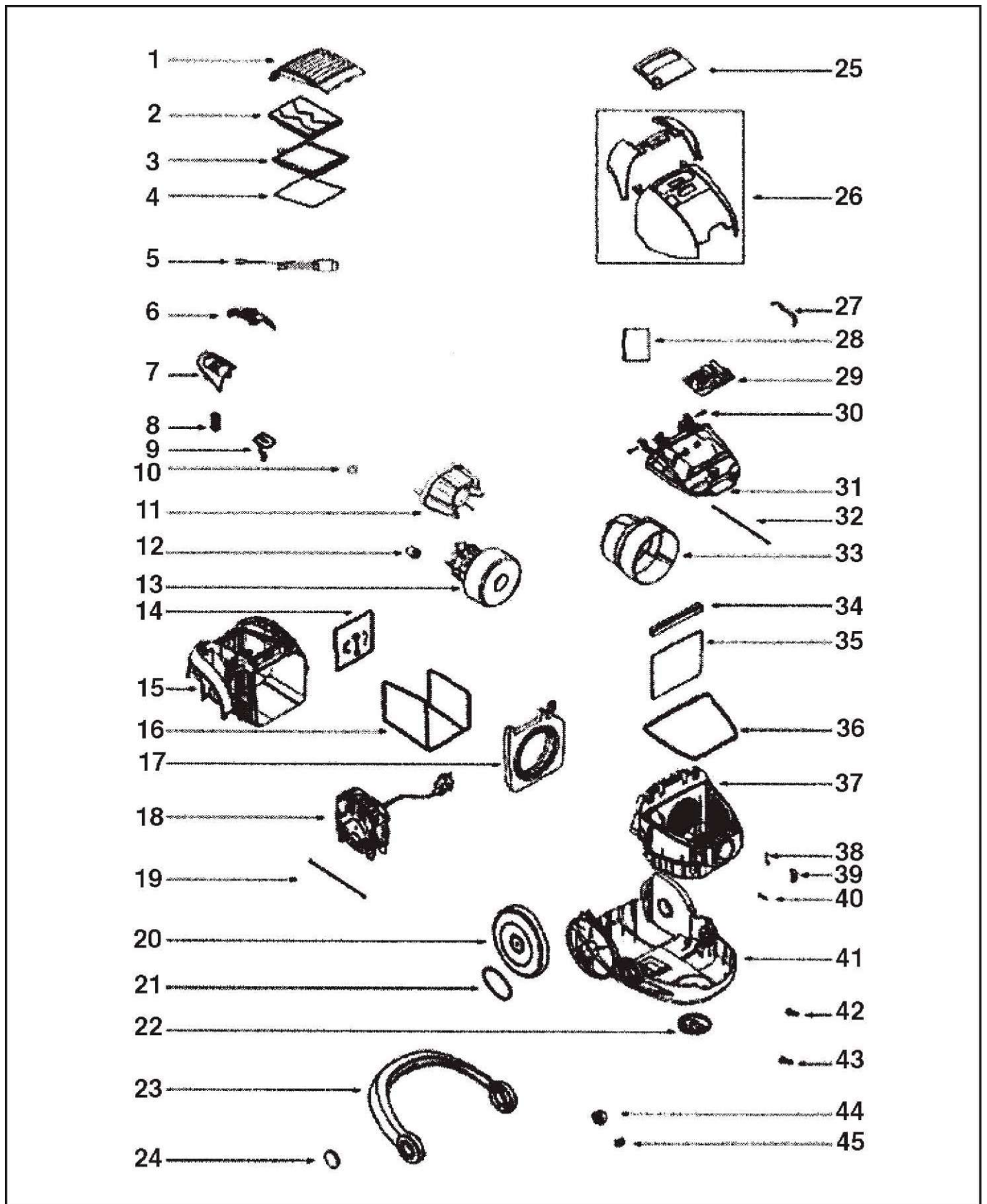
----- Manual continues below -----

ELECTROLUX

Original & Replacement

OXYGEN

Models EL6988A, EL6989A



Original & Replacement

ELECTROLUX

OXYGEN

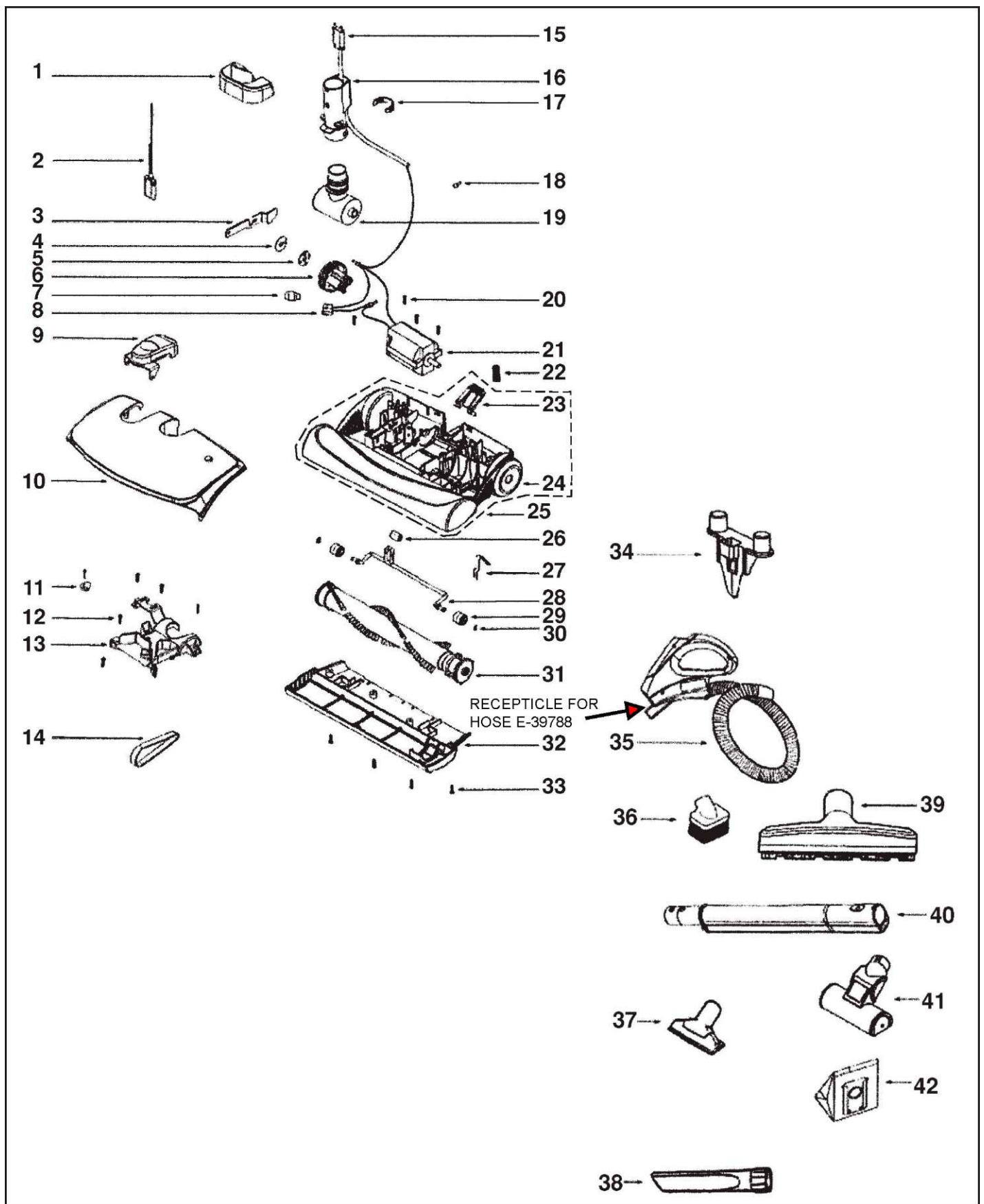
Models EL6988A, EL6989A

KEY	PART NO.	DESCRIPTION	KEY	PART NO.	DESCRIPTION
1	E-1130602-28	Filter Lid	25	E-1050887-39	Display
2	E-1130617-01	Filter Lid Absorbent	26	E-1130341 -16	Complete Cover EL6988A
3	E-EL012W	HEPA Exhaust Filter HF1	26	E-1130341 -17	Complete Cover EL6989A
3	ER-1881	HEPA Exhaust Filter HF1 DvC	27	E-117250-06	Cooling Hose
3	ER-1831	HEPA Exhaust Filter HF1 ENv	28	E-1130249-01	PCB Small Seal
4	E-1130289-01	Seal	29	E-1128899-01	PCB With Switch EL6989A
5	E-1130274-05	Power Outlet Complete	29	E-1128898-01	PCB With Switch EL6988A
6	E-1050823-26	On/Off Pedal	30	E-61409	Shaft
7	E-1050892-13	Cord Winder Pedal	31	E-1130340-05	Front Inner Cover
8	E-61403	Spring	32	E-1130247-12	Motor Wire Red
9	E-1050826-03	Slider	33	E-1130250-03	Motor Hood
10	E-61890	Sealing Washer	34	E-1130272-01	Motor Filter Holder
11	E-1050899-02	Motor Adaptor	35	E-1130535-01	Motor Filter
12	E-1050808-01	Motor Support	36	E-117979-05	Lid Seal
13	E-60650-2	Motor Ass'y	37	E-1050803-03	Dust Bag Module
14	E-1050868-01	Motor Housing Absorbent	38	E-61415	Flap Spring
15	E-1050889-04	Motor Housing	39	E-1050819-01	Lid Lock
16	E-1050869-01	Motor Housing Absorbent	40	E-1050873-02	Cord Winder Cooling Tube
17	E-1130270-01	Motor Seal	41	E-1130620-02	Bottom Housing With Wheels
18	E-1128341 -17	Cord Winder	42	E-62109-1	Screw
19	E-1130256-02	Wire Black	43	E-62109-2	Screw
20	E-1130506	Rear Wheel	44	E-1050812-01	Handle Bushing
21	E-1130614-05	Rear Wheel Cap	45	E-61418	Lock
22	E-1130205-07	Front Wheel Ass'y			
23	E-1130610-03	Handle Complete			
24	E-1130609-04	Handle Cap			

ELECTROLUX Original & Replacement

OXYGEN POWERHEAD & ACCESSORIES

Models EL6988A, EL6989A



Original & Replacement **ELECTROLUX**

OXYGEN POWERHEAD & ACCESSORIES

Models EL6988A, EL6989A

KEY	PART NO.	DESCRIPTION	KEY	PART NO.	DESCRIPTION
1	E-39967	Quick Release Pedal	28	E-61749	Front Axle
2	E-61722	Female Wand Receptacle With Leads	29	E-61750	Front Wheel
3	E-61723	Pivot Arm	30	E-61752	E-Ring
4	E-61724	Cam Disk	31	E-61699-1	Brushroll
5	E-61725	Cam Lock Ass'y	32	E-61753	Sole Plate
6	E-61726	Height Adjustment Knob	33	E-61733	Screw
7	E-61682	Light Bulb		E-74594	Reset Switch
8	E-61727	Light Socket	34	E-72040A	Tool Caddy
9	E-61728	Pedal Ass'y	35	E-61977-2	Hose Ass'y
10	E-61730-1	Hood Ass'y	36	E-54505-4	Dusting Brush
11	E-61731	Clip	37	E-22713-10	Upholstery Nozzle Ass'y
12	E-61733	Screw	38	E-27237-355N	Crevice Tool
13	E-61734	Air Duct Cover Ass'y	39	E-39632-1	Deluxe 14" Floor Tool
14	E-75614	Cogged Belt 3/8"	40	E-39422-3	Direct Connect Wand Ass'y 17 1/2"
15	E-61735	Power Cord	41	E-28612A-3	Turbo Nozzle Ass'y
16	E-39970	Coupling	42	E-EL200B	Style S Bag Classic 5 Pk
17	E-39971	C-Clamp	42	NLA	Style S Bag Clinic Micron 4 Pk (Order E-EL200B)
18	SS-3270	Wire Nut	42	EXR-14455	Style S Bag Micro-lined DvC 4 Pk
19	E-39973	Pivot Elbow	42	EXR-1445	Style S Bag Micro Filtration Envirocare 4 Pk
20	E-61733	Screw			
21	E-61740-1	Motor			
22	E-61742	Spring			
23	E-61743	Foot Pedal			
24	E-61744	Rear Wheel			
25	E-61746-2	Base Ass'y (Incl. 23, 24)			
26	E-61747	Cam Bearing			
27	E-61748	Spring			