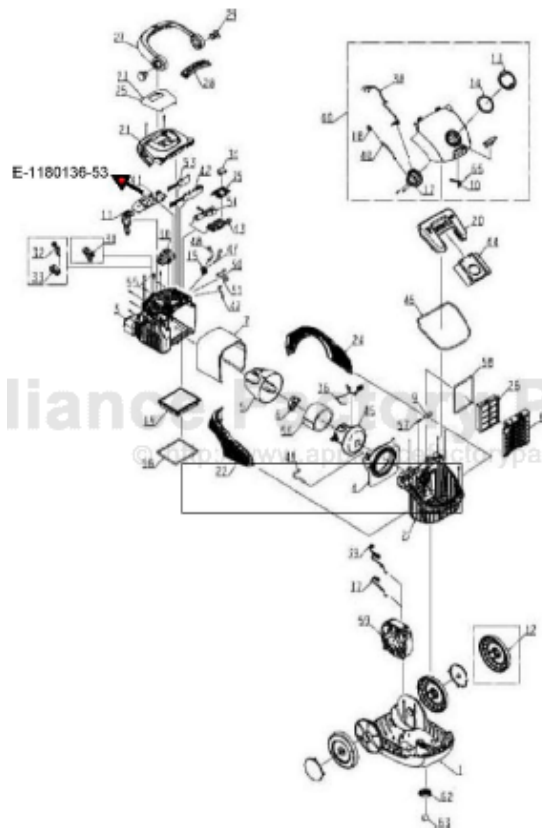


This Owner's Manual is provided and hosted by [Appliance Factory Parts](#).



# Electrolux EL7001A Owner's Manual

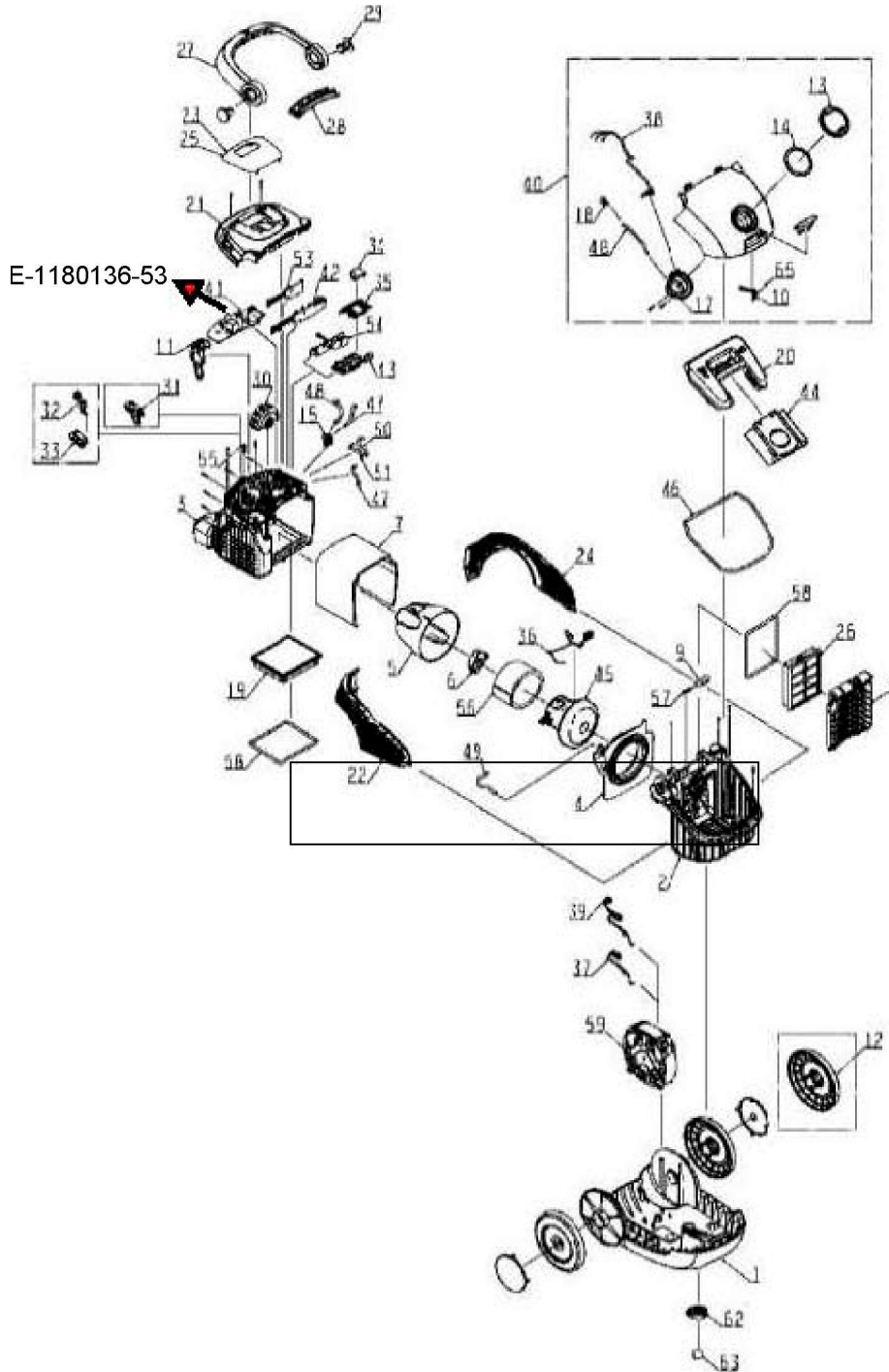
[Shop genuine replacement parts for Electrolux  
EL7001A](#)



[Find Your Electrolux Vacuum Cleaner Parts - Select From 68 Models](#)

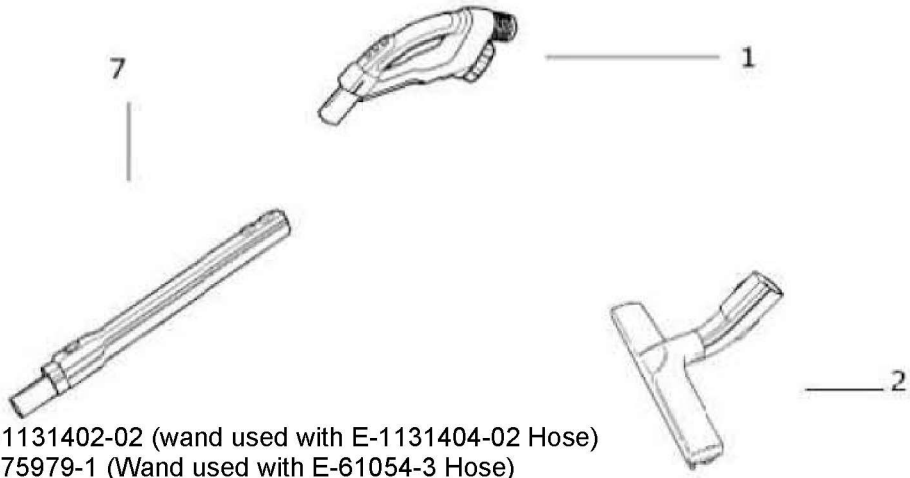
----- Manual continues below -----

Canister - EL7001A

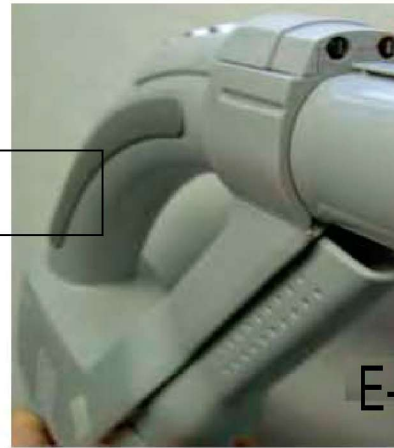
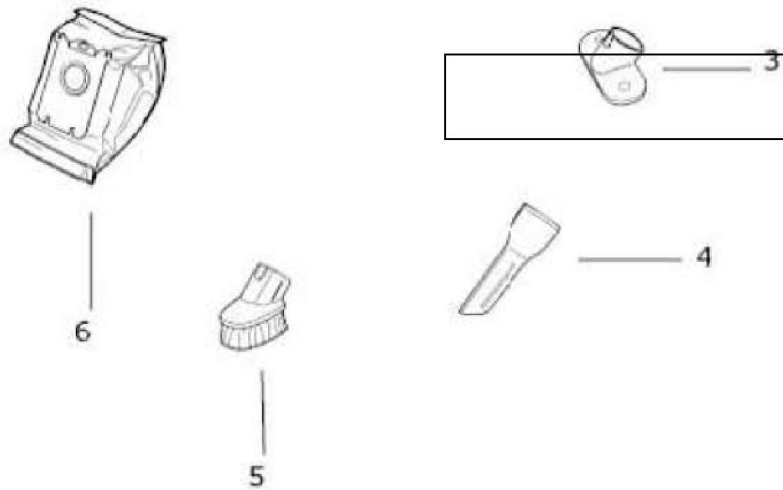


Ref #	Part	Description	Comments
1	E-1130900-01	BOTTOM PART	
2	E-1130901-02	DUST CONTAINER	
3	E-1130902-01	MOTOR HOUSING	
4	E-1130903-02	SEALING - MOTOR	
5	E-1130904-01	MOTOR COVER - HOUSING	
6	E-1130909-01	SUSPENSION - REAR DOM	
7	E-1130910-01	ABSORBENT - MOTORHOUSE	
8	E-1130911-01	HOLDER - FILTER	
9	E-1130912-01	NO FILTER SAFETY DEV	
10	E-1130914-01	NO BAG SAFETY DEVICE	
11	E-1130916-01	BRACKET - NOZZLE PARK	
13	E-1130919-01	COVER - HOSE CONNECT	
14	E-1130920-01	RING - HOSE CONNECTION	
15	E-1130923-01	GROMMET	
17	E-1130927-01	SLEEVE - HOSE CONNECTION	
18	E-1130928-01	GROMMET - FRONT COVER	
19	E-1130929-01	FILTER - PERMANENT F2	
20	E-1130930-01	HOLDER - BAG	
21	E-1130934-09	COVER - REAR SATINE CAYEN	
22	E-1130935-02	DIFFUSOR - COMPLETE OUTLE	
24	E-1130937-02	DIFFUSOR - COMPLETE OUTLE	
25	E-1130938-03	DISPLAY - LEVEL 4	
26	E-1130939-01	FILTER - O2 NON WASH	
27	E-1130940-01	HANDLE	
28	E-1130941-01	GRIP - HANDLE	
29	E-63159	HANDLE PIN PACKAGE	10 in package.
33	E-1130946-01	PEDAL - CORDWINDER	
34	E-1130949-02	LIGHT CONDUCTOR	
35	E-1130950-02	REFLECTOR	
36	E-1130969-01	CABLE - MOTOR TERMO UL	
38	E-1130958-01	CABLE - POWER OUTLET	
40	E-1130967-16	COVER & GRAPHICS CPL	
43a	E-1180110-52		
43b	E-1180111-01	MODULE - BAG/FILTER UL	
43c	E-1180113-01	MODULE -AUTSUMO UL	
43d	E-1180115-01	MODULE - POWER SUPPLY UL	
44	E-EL200B	S BAG CLASSIC	
45	E-63160	MOTOR ASSY - PA3KAGED	
46	E-115857-05	SEALING	
47	E-117990-15	HOSE - COOLING 100 MM EPD	
48	E-117990-12	HOSE - COOLING 115 MM EPD	
49	E-117990-16	HOSE - COOLING 135 MM EPD	
50	E-117990-14	HOSE - COOLING 80 MM EPDM	
51	E-117990-13	HOSE - COOLING 65 MM EPDM	
55	E-63157	SPRING PACKAGE	10 in package.
57	E-63158	SPRING PACKAGE	10 in package.
58	E-1130289-01	SEAL	
59	E-1128341-41	CORD WINDER CPL UL RIGHT	
60	E-1130608-03	REAR WHEEL	
61	E-1130614-03	WHEEL HUB FL AL SILV PAIN	
62	E-1096042-03	HOLDER - WHEEL	
63	E-1129038-01	FRONT WHEEL CPL.	
65	E-63147	SPRING PACKAGE	10 in package.
999	E-1130975-99	CIRCUIT DIAGRAM - L4 UL	Circuit diagram, not shown

See photos at right to determine which hose is needed



E-1131402-02 (wand used with E-1131404-02 Hose)  
E-75979-1 (Wand used with E-61054-3 Hose)



Ref #	Part	Description	Comments
1	E-61054-3	Hose with two-hole electrical connection	See previous page for
1	E-1131404-02	Hose with rectangular-shaped electrical connection	
2	E-75973-1	FLOOR & WALL BRUSH ASSEMB	
3	E-75985	NOZZLE - FURNITURE	
4	E-1131407-01	NOZZLE - CREVICE	
5	E-1131406-01	NOZZLE - DUSTING BRUSH	
6	E-EL200B	S BAG CLASSIC	
7	E-75979-1	Telescopic wand (used with E-61054-3 hose)	
7	E-1131402-02	Telescopic Wand (Used with E-1131404-02 hose)	

Due to manufacturer design changes,  
several styles of elbow/connector assy  
are available.

Refer to images to insure correct  
part is ordered !



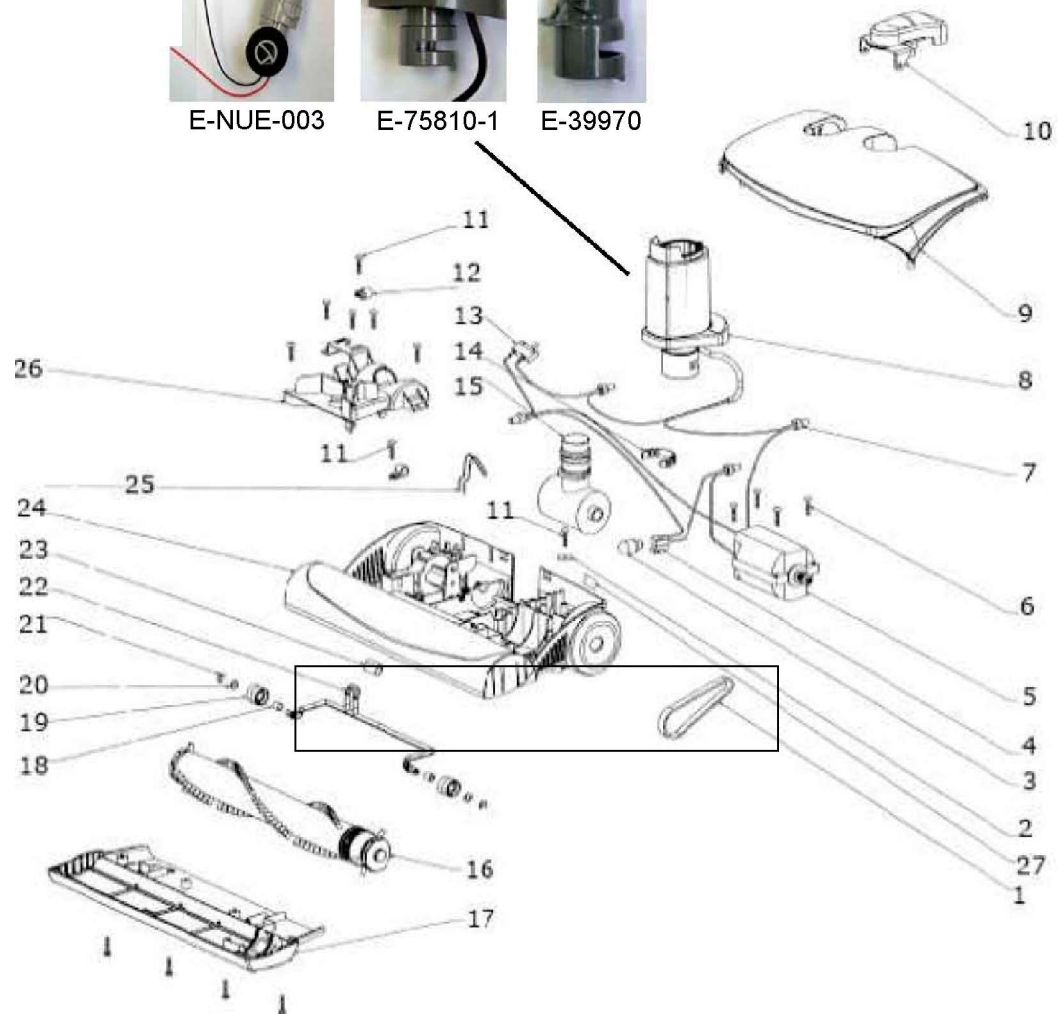
E-NUE-003



E-75810-1



E-39970



Ref #	Part	Description	Comments
1	E-75614	BELT - COGGED	
2	E-63153	WASHER PACKAGE	
3	E-61682	LIGHT BULB	
4	E-61727	LIGHT SOCKET	
5	E-61 740-1	MOTOR ASSEMBLY - CARTONED	
6	E-63155	SCREW PACKAGE	
16	E-61699-1	BRUSHROLL ASSY - CARTONED	
10	E-61728	PEDAL ASSEMBLY	
9	E-61 730-2	HOOD ASSEMBLY - PACKAGED	
11	E-63155	SCREW PACKAGE	
13	E-74594	SWITCH - RESET	
14	E-63154	C-CLAMP PACKAGE	
8	E-75810-1	Elbow (Refer to images on previous page)	
17	E-61753	SOLE PLATE ASSEMBLY	10 per package.
18	E-76136		
19	E-61750	FRONT WHEEL	
20	E-63153	WASHER PACKAGE	
21	E-61752	E-RING PACKAGE	
22	E-61749	FRONT AXLE	
23	E-61 747	CAM BEARING	
24	E-61 746-3	BASE ASSEMBLY - PACKAGED	
25	E-61748	SPRING	
26	E-61734	AIR DUCT COVER ASSEMBLY	
28	E-75922-3	POWERHEAD ASSY (BETA-SUMO)	Powerhead Assy. complet
7	E-58313	WIRE SPLICE 5	
15	E-39973-2	T-JOINT ASSEMBLY	
12	E-58430	CLAMP CABLE	