

This Owner's Manual is provided and hosted by [Appliance Factory Parts](#).



# Haier ACA056R Owner's Manual

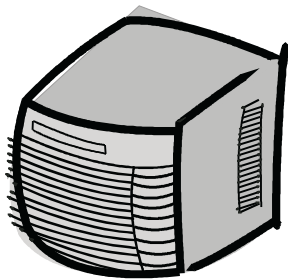
[Shop genuine replacement parts for Haier ACA056R](#)



[Find Your Haier Air Conditioner Parts - Select From 735 Models](#)

----- Manual continues below -----

**Amana**<sup>®</sup>  
Room Air Conditioners



# Owner's Manual

## Manuel du propriétaire

## Manual del propietario

### Room Air Conditioner

### Climatiseur domestique

### Aire acondicionado para habitación

Keep manual for future reference. Be sure manual stays with air conditioner.

Conserver ce manuel pour référence ultérieure. S'assurer que le manuel accompagne toujours le climatiseur.

Conserve este manual para referencia futura. Asegúrese de que el manual permanezca con el aire acondicionado.

#### I. Description

This room air conditioner cools, dehumidifies and filters the air inside your home.

#### I. Description

Ce climatiseur domestique rafraîchit, déshumidifie et filtre l'air à l'intérieur de la maison.

#### I. Descripción

Este aire acondicionado para habitación enfría, deshumidifica y filtra el aire interior de su casa.

**Important:** It is important, both for your personal safety and to avoid possible damage to your appliance or your home, that you observe the safety instructions that are given following this symbol.

**Important :** il est important, autant pour la sécurité que pour éviter d'endommager l'appareil ou la résidence, de respecter les consignes de sécurité suivant ce symbole.

**Importante:** Es importante tanto para su seguridad personal como para evitar posibles daños al aparato o a su hogar, que observe las instrucciones de seguridad que se proporcionan después de este símbolo.

 **RECOGNIZE THIS SYMBOL  
AS A SAFETY PRECAUTION**

 **APPRENEZ À RECONNAÎTRE  
CE SYMBOLE CONSTITUANT  
UNE MESURE DE SÉCURITÉ**

 **RECONOZCA ESTE SÍMBOLO  
COMO UNA PRECAUCIÓN  
DE SEGURIDAD**



# A Word From Amana

Thank You for buying a dependable, energy saving and easy to operate Amana room air conditioner. This manual contains useful information for you to maintain, operate, install and safely use your room air conditioner. Your air conditioner cleans, cools and dehumidifies the air in your room to provide you with the ultimate level of comfort.

Please read instructions carefully before using the product. Also, do not forget to fill out and mail the **Product Registration Card**.

# Product Registration

## Record Your Model and Serial Number.

For all your service calls during the warranty period the following information will be needed. Attach the sales receipt to this guide and keep for future reference. This information can be obtained from the serial plate, which is on your air conditioner. This is either on the cabinet (side or back) or you may have to remove the front grille to locate it.

Model Number: .....

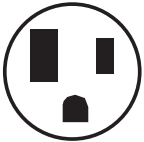


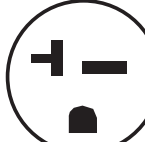

Serial Number: .....

Date of Purchase: .....

Dealer's Name: .....

Dealer's Address: .....





Dealer's Phone Number: .....

TABLE					
RECEPTACLE AND FUSE TYPES					
RATED VOLTS	125/60		250/60		
AMPS	15	20	15	20	30
WALL OUTLET					
FUSE SIZE	15	20*	15	20*	30
TIME DELAY FUSE (or circuit braker)	Plug	Plug	Plug		

# SAFETY PRECAUTIONS

**WARNING:** *Following these basic precautions will reduce the risk of fire, electrical shock, injury or death when using your air conditioner.*



- 1) Air conditioner must be connected to proper electrical outlet with the correct electrical supply. *(see table)*
-  2) Proper grounding must be ensured to reduce the risk of shock and fire. **DO NOT CUT OR REMOVE THE GROUNDING PRONG.** If you do not have a three-prong electric receptacle outlet in the wall, have a certified electrician install the proper receptacle. The wall receptacle **MUST** be properly grounded.
-  3) Do not use if power cord is frayed or otherwise damaged. Also avoid using it if there are cracks or abrasion damage along the length, plug or connector.
-  4) **DO NOT USE AN ADAPTER OR AN EXTENSION CORD.**
-  5) When installing your air conditioner in a window, make sure the window is strong enough to hold the weight of the air conditioner. You also want to secure and correctly install your air conditioner properly to prevent it from falling. Extra brackets and or support may be required depending on your window.
- 6) Do not block airflow inside or outside the air conditioner with blinds, drapes, protective covers, shrubs or bushes.
- 7) Be careful of sharp edges on the front and rear fins of the unit that could cut and cause serious injury.
- 8) Be careful when lifting the air conditioner to install or remove the unit. Always use two or more people for this.
- 9) Always unplug the air conditioner before servicing it or moving it.

# Table Of Contents

	<b>PAGE</b>
<b>A Word From Amana</b> .....	<b>1</b>
<b>Product Registration</b> .....	<b>1</b>
<b>Safety Precautions</b> .....	<b>2</b>
<b>Warnings</b> .....	<b>4</b>
<b>Electrical Safety</b> .....	<b>4</b>
<b>Tips</b> .....	<b>5</b>
<b>Energy Saving Guide</b> .....	<b>5</b>
<b>Features</b> .....	<b>6</b>
<b>Operating Guide</b> .....	<b>7</b>
Normal Operating Sounds .....	<b>7</b>
Operating Instructions .....	<b>8-9</b>
<b>Installations</b> .....	<b>10</b>
Parts Supplied .....	<b>11</b>
Tools .....	<b>11</b>
Steps for Installation .....	<b>12-14</b>
<b>Clean and Care Guide</b> .....	<b>15-16</b>
<b>Troubleshooting</b> .....	<b>16</b>
<b>Warranty Information</b> .....	<b>18</b>

# WARNINGS



Following the safety messages is very important.

These messages can save you from being injured or killed.

**Warning** symbols alert you to be careful and means **Danger**. Always follow instructions to be safe and reduce chances of injury or death.

**Warning** and **Danger** signs will precede safety messages.

## Electrical Safety



**Grounding:** This room air conditioner must be grounded. Grounding reduces the risk of electric shock by providing an escape wire for the electric current. The power cord has a grounding wire with a grounding plug. Plug it into an outlet that is properly installed and grounded.

**WARNING:** Improper use of the grounding plug can result in a risk of electric shock. Call a qualified electrician if you don't understand the grounding instructions or if you are not sure if the air conditioner is properly grounded. If the wall outlet is not grounded, please contact an electrician to have it replaced with a properly grounded outlet.

**Do not, under any circumstances, cut or remove the third (ground) prong from the power cord.**

**Adapter Plug:** We strongly advise against using an adapter plug.

**Important:** Test power plug before each use:

1. Press "reset" button.
2. Press "test" button, unit should trip.
3. Press "reset" button again for use.

Do not use if above test fail.

In the event this device trips, the cause of the malfunction is to be corrected before further use of the device.

## Tips

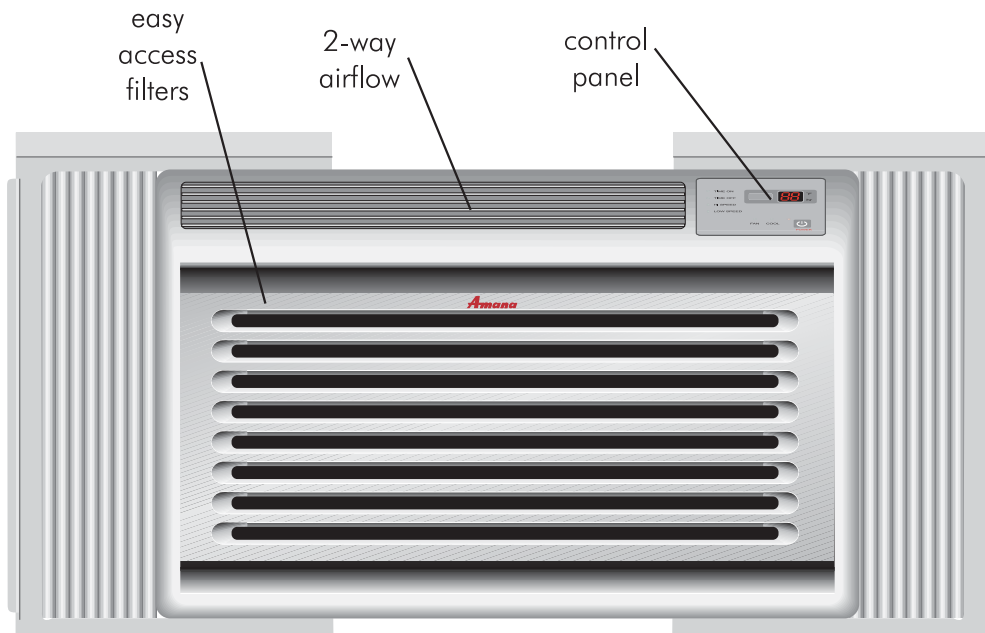
- This Air Conditioner is designed for use in a double hung window .
- While installing unit be sure to tilt air conditioner 5 degree outward to have the water drip outside the house.
- Install the unit on the north side as normally that is the shaded side. This will enhance the operation of your unit.
- ⚠️ • Window has to be strong for installation. Extra brackets and or support may be required depending on your window. (Brackets and Supports not included in all models)
- Measure the window before installing, if the window is too big for the unit you may require professional installation.
- ⚠️ • Use correct electric voltage and proper ampere for the unit to run effectively.
- ⚠️ • Only let a certified electrician do any modifications to your electrical outlet.
- Use a dedicated line for the operation of your air conditioner to avoid the possibility of an electrical surge.

## Energy Saving Guide

- When installing your air conditioner make sure to seal all areas where there is a possibility of air leakage.
- Airflow should not be blocked inside either by curtains, drapes or furniture or outside by shrubs or bushes.
- Do not needlessly use an electrical light or other appliances that produce heat.
- Keep the blinds and the drapes drawn on all the other windows.
- While cooking use an exhaust fan in the kitchen to remove the excess heat produced.
- Always use the correct BTU size air conditioner to cool the room to attain optimum efficiency.



# Features



**MODEL: ACA056R**

## **1. Thermostat**

This allows you to adjust the temperature of the air. The lower the setting the cooler the air temperature. With this you can set the temperature to your desired comfort level. You can set the temperature between 61° F and 86° F.

## **2. fan Speed**

You have 2 levels of Fan Speed to set at your desired comfort level.

Pressing the Fan Speed button of remote control between High and Low speed.

## **3. Function.**

Your air conditioner has 2 Functions.

### a) COOL

Here the air conditioner will operate the compressor and the desired fan speed set to give you chilled cold air for your comfort.

### b) Fan

You can run the fan only on not so hot days. The fan can be set to run at 2 speeds (HIGH fan and LOW fan.) as desired by you.

## **4. Timer**

Your air conditioner can be set to go on or off at your desire. This can be done up to 24 hours in advance.

## **5. 2 Way Air Flow**

These air directional louvers let you control the direction of the airflow in your required direction. The airflow can be directed right side – left side.

## **6. Window Install Kit**

Enables you to install the air conditioner in a double hung window. Extra brackets or support may be needed depending on your window.

## **7. Remote Control**

This full functional wireless remote allows you to operate your air conditioner from a distance. You need not have to get up to change the settings, the functions or to turn the unit on or off.

## **8. How The Unit Drains**

On humid days with the air conditioner in use, moisture may collect on the pan or bottom of the air conditioner. If the unit is position properly the moisture will gather towards the back of the unit. This will not effect the operation of the unit and the moisture will evaporate in time. Occasional the moisture will flow over the back of the pan but this will not effect the operation of the unit. Never drill holes in the pan under any condition.

# Operating Guide

## Normal Operating Sounds

Following sounds are normally heard during the operation of an air conditioner.

- Thermostat clicks. As the thermostat cycles on/off you will hear this sound.
- Cool airflow movement as dictated by the set fan speed.
- Water sounds. This is normal since your air conditioner acts as a dehumidifier also. Thus you will hear water sounds from water drops falling on the condenser.
- As the refrigerant flows through the inner sealed tubing a rushing noise may be heard.
- Rattling or vibrating noises may be heard due to poor wall or window installation.
- High pitch compressor sound may be heard.

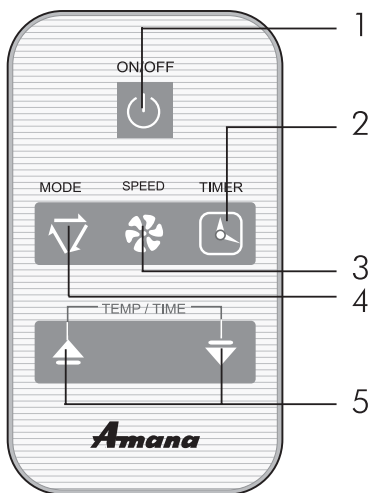
# Operating Instructions

Following are the operating instructions of your electronic air conditioner.

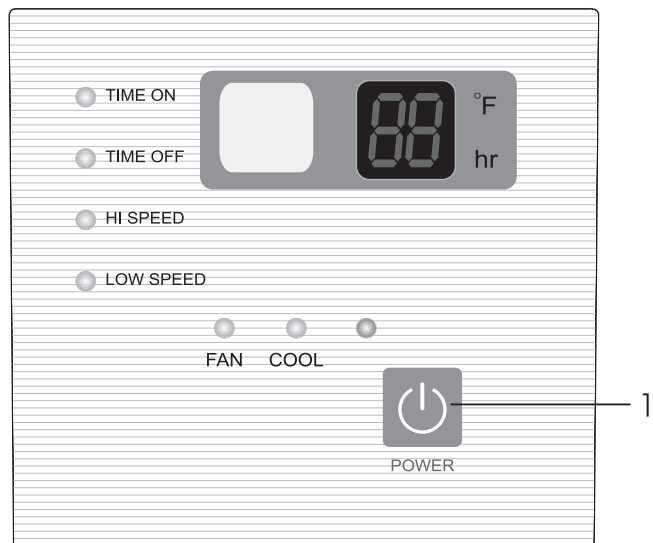
After installing your air conditioner plug it in to the proper electrical outlet in the wall. Keep the vent in the closed position. Now set the air conditioner at your comfort level. This full functional wireless remote allows you to operate your air conditioner without having to get up and go to the unit. The full function feature allows you to change the settings and turn the unit on or off from the remote itself.

After you plug in the unit it will perform a self test. All the display lights will turn on for 3 seconds. The LED display will read "88". If any display light fails to turn on you may need service on the unit. After the 3 seconds self test the unit will automatically go to the stand by mode. Now all lights will be off and you will have to turn "ON" by pressing the On/Off key. After pressing "On/Off", the unit starts to work and enters the status of "Fan Only" with low setting.

## Remote Control



## Control Panel



## 1. ON/OFF

To turn set ON, press the button. To turn set OFF, press the button again.

## 2. TIMER

Press TIMER button, for each press, TIMER mode will changes as follows:

TIMER ON → TIMER OFF → CANCEL

Timer on or Timer off mode is used to pre-start or shut off your unit in advance. You can program this up to 24 hours in advance. You can use the Timer in 2 functions i.e. Cool or Fan Only.

### •Timer On.

Unit must be on to set the timer. Unit will shut down automatically after it accepts the settings in 5 seconds. Use this mode to pre-set the start time of the unit 24 hours in advance.

a) Press On , LED display will show "XX" (time set last time) when power is connected first time, LED display will show "01" .

b) Set desired number of hours by pressing the (▲) pad of the Temp/Time buttons, one for each hour. If you passed the desired time use the (▼) pad key to lower the selection.

c) After set Timer On, LED display will show the time. This time displayed: unit will starts after X hours.

### •Timer Off

Unit must be running to set the timer off. Use this to preset the time you would like the unit to shut off.

a) Press Off , LED display will show "XX" (time set last time) when power is connected first time, LED display will show "01" .

b) Set desired number by pressing the (▲) pad of the Temp/Time buttons. One for each hour. If you passed the desired time, use the (▼) pad key to lower the selection.

c) After set Timer Off, LED display will show the room temperature about 5 seconds later.

When using the timer the unit will use/revert to the last Cool and fan settings when activated. The timer must be reset every time you choose to use it.

## 3. SPEED

Pressing the FAN button changes between LOW and HIGH SPEED.

## 4. MODE

Every time you press this button, it will change between COOL and FAN.

## 5. TEMP./TIME


Used to set temperature and time.

You will have to press the (▲) or (▼) key on the Temp/Time to set the temperature at your desired comfort. You can choose between 61°F and 86°F. Once the temperature is set you can raise or lower it by pressing the (▲) or (▼) keys. (Only when the unit is cooling , can the temperature setting be adjusted.)

# Installations


Before you install your air conditioner check the following:


- 1) The unit is free of all obstructions inside and outside the room e.g. drapes, curtains, furniture, plants, shrubs, bushes, trees, other structures like building, garage etc. Air conditioner must have clear unobstructed airflow through the condenser to remove the heat.
- 2) The window is strong enough to hold the weight of the air conditioner. Extra brackets or supports may be needed depending on your windows. (Brackets or Supports not provided in all models)
- 3) The window sill and track are strong enough to hold the weight of the air conditioner.
- 4) The wall is strong enough to hold the unit. Extra brackets or supports may be needed depending on the wall. (Brackets or Supports not provided in all models).
- 5) There is adequate and proper power supply near the air conditioner.

 6) Be careful of exposed sharp edges of the cabinet and sharp coils (fins) on the back of the unit that could cut and cause serious injury.


 7) DO NOT use adapter plugs.

 8) DO NOT use extension cords.

 9) DO NOT cut or remove the ground prong.

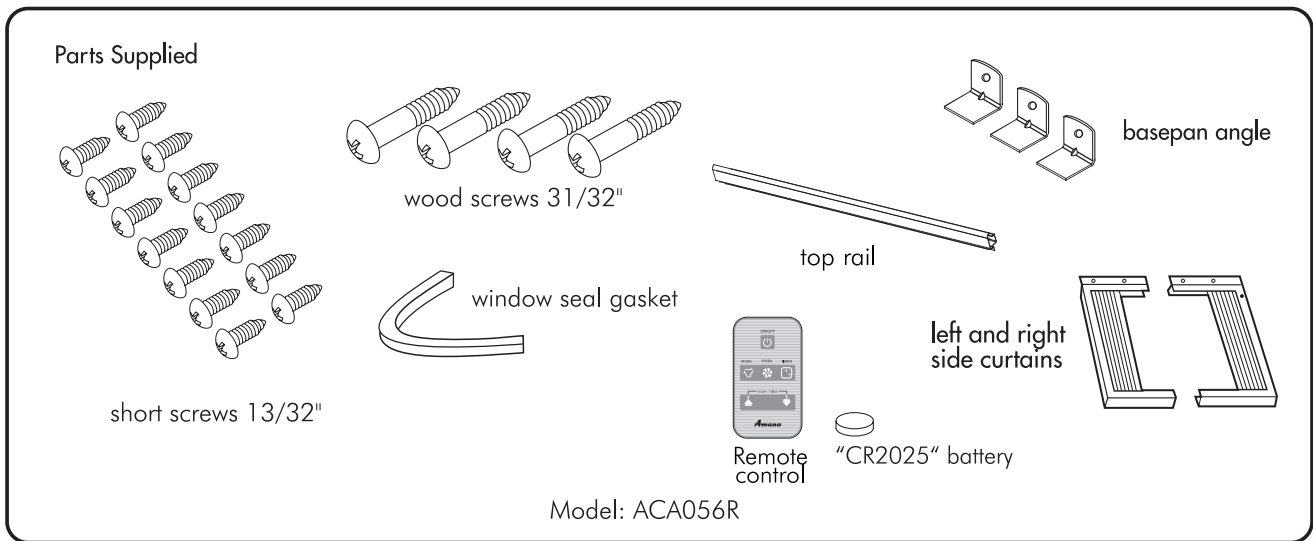
 10) DO NOT modify the plug or the electrical wall outlet in any way. If plug does not fit the electrical outlet have a certified electrician do the necessary change.

 11) DO NOT connect electrical power to the unit before installation.

 12) DO NOT use if power cord is worn out, frayed or otherwise damaged. Avoid using if there are cracks or abrasion damage along the length, plug or connection.

 13) DO NOT install into any existing cabinet or sleeve which does not have side and top air vents.

## Parts



## Tools

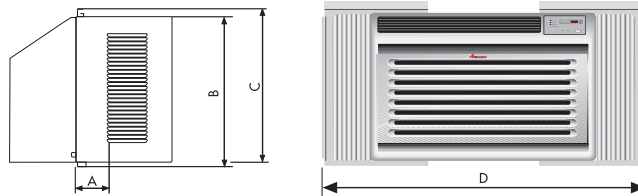
You will need to have the following tools to help you in the installation of your air conditioner.

- Scissors
- Phillips Screwdriver
- Standard Screwdriver
- Pliers
- Wrench
- Drill and Drill Bits
- Tape Measure
- Gloves
- Level
- Sockets

# Installing Unit into A Window

## Window Opening Requirements

The air conditioner is designed to fit into double or single hung sash type windows. Each of the units comes with an installation kit that provides adjustable mounting louvers, to fill the gaps between the sides of the unit, and the window frame. The chart below reflects the dimensions of the units with, and without installation kits. Measure your window opening width and compare it to the chart below to ensure that it meets the minimum and maximum window width requirements.



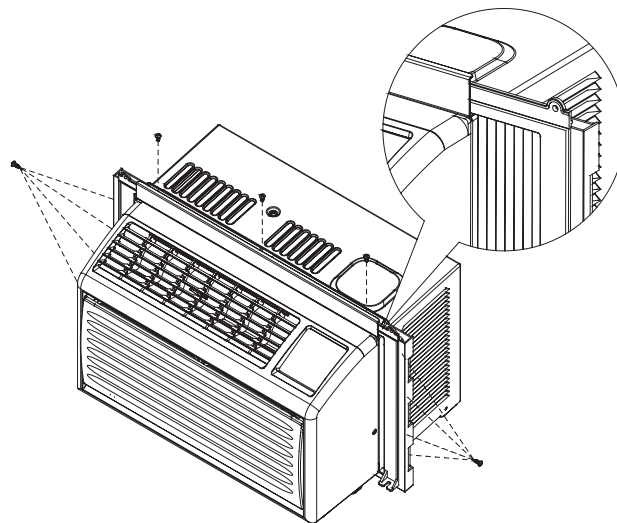
Model	ACA056R
Dimension	
A(inch)	$1\frac{31}{32}$ "
B(inch)	$11\frac{5}{8}$ "
C(inch)	$12\frac{3}{8}$ "
D(inch) Max	36"
D(inch) Min	21"
Case High	$11\frac{5}{32}$ "
Case Width	$17\frac{9}{32}$ "
Case Depth	$12\frac{27}{32}$ "

### 1 ASSEMBLE CURTAINS/TOP RAIL

Install top rail with 3 short screws  $1\frac{3}{32}$ ".

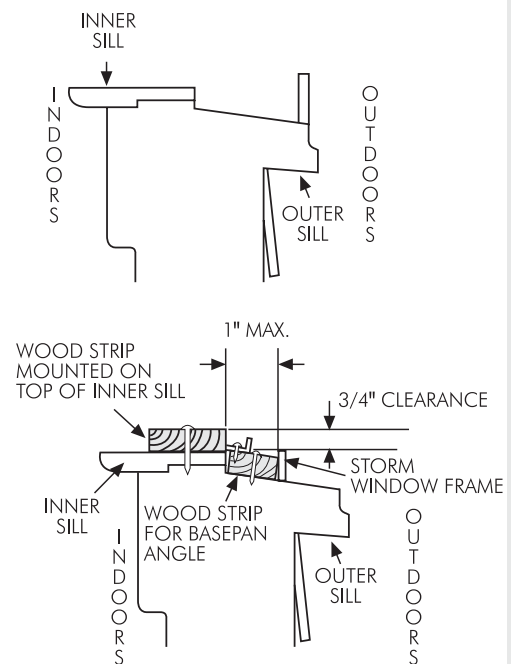
Insert the side curtains into the top and bottom rails of the air conditioner. Fasten the curtains to the unit with 8 short screws  $1\frac{3}{32}$ ".

**Caution:** Never expose plastic front or grille to extreme temperatures.



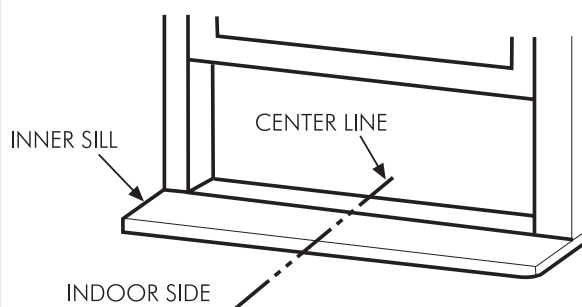
## 2 PREPARE WINDOW FOR INSTALLATION

1. This unit is designed for installation in standard double hung windows with actual opening widths of 21" to 35". The upper and lower sash must open sufficiently to allow a clear vertical opening of 12" from the bottom of the sash to the window stool.
2. If storm window presents interference, fasten a 2" wide wood strip (not included) (OUTER SILL) to the inner window sill across the full width of the sill. The wood strip should be thick enough to raise the height of the window sill so that the unit can be installed without interference by the storm window frame (STORM WINDOW FRAME) or wood strip (OUTDOORS) to help condensation to drain properly to the outside.
3. Install a second wood strip (approximately 6" long by 3/2" wide and same thickness as first strip) in the center of the outer sill flush against the back off the inner sill. This will raise basepan angle .
4. If the distance between STORM WINDOW FRAME and WOOD STRIP MOUNTED ON TOP OF INNER SILL is more than 1" , two of wood strip are not necessary.



## 3 LOCATING UNIT IN WINDOW

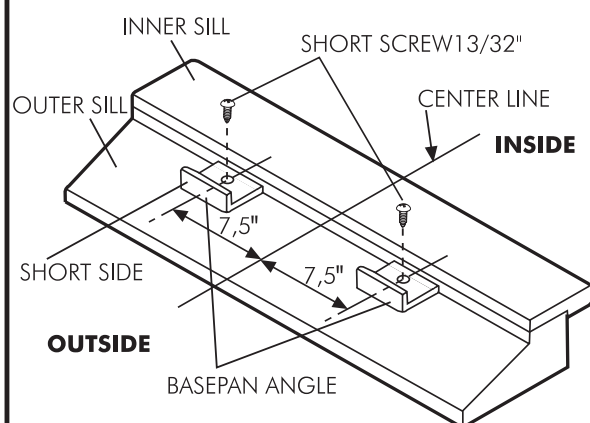
Open the window and mark center line on the center of the inner sill.



## 4 ATTACH BASEPAN ANGLE

Install the basepan angle behind the inner window sill, with the short side of basepan angle as shown. Use the 2 short screws 13/32" provided.

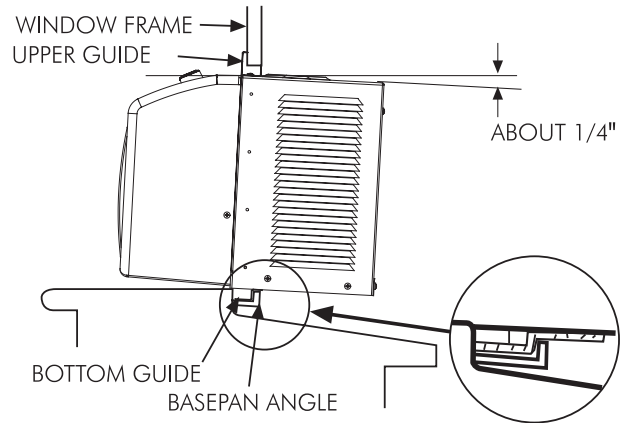
The basepan angle helps to hold unit securely in place. Be sure to place basepan angle edge flush against back of inner sill.





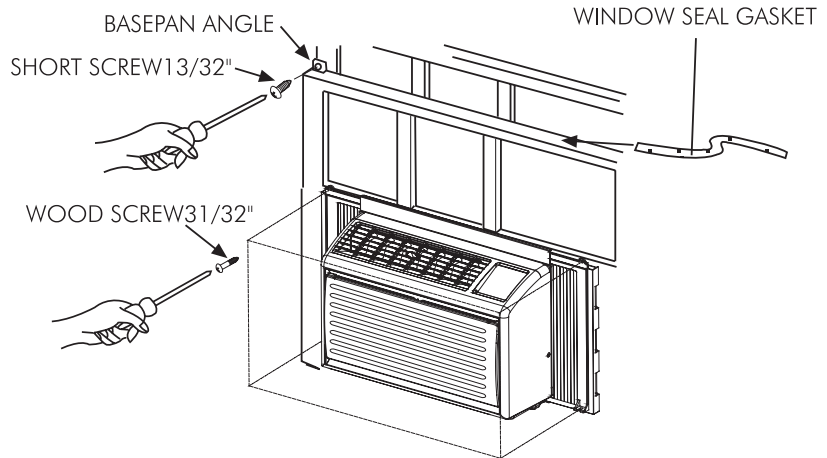
## 5 INSTALL THE AIR CONDITIONER IN THE WINDOW

Carefully lift the air conditioner and slide it into the open window. Make sure the bottom guide of the air conditioner drops into the notches of the basepan angle. While steadying the air conditioner, carefully bring the window sash down behind the upper guide of the air conditioner.

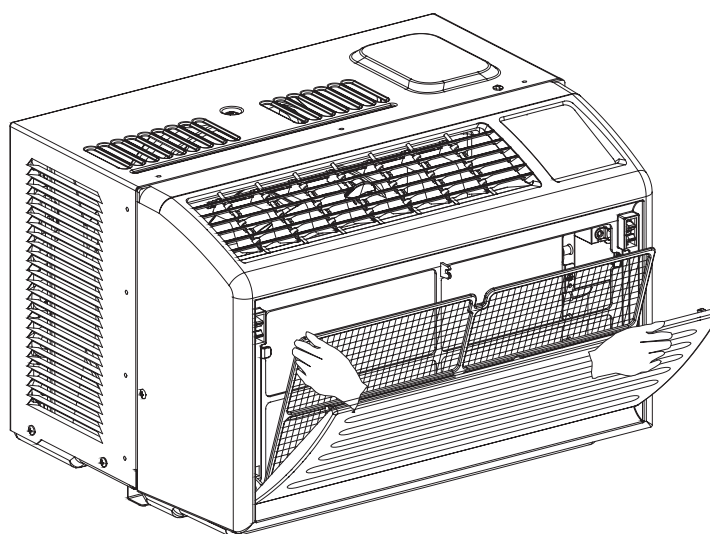


## 6 INSTALL THE SEAL GASKET AND SASH LOCK

Extend the side curtains to fill the window opening using 4 wood screws 31/32" to secure them. Cut the seal gasket to the window width. Stuff the sash seal between the glass and the window to prevent air and insects from getting into the room. Fasten the basepan angle, using a short screw 13/32".



# Care and Cleaning Guide



- **Always unplug your air conditioner before cleaning.**
- The air filter behind the inlet grille should be checked and cleaned at least once every 2 weeks (or as necessary) to maintain optimal performance of the air conditioner.

### **How to remove the air filter**

1. The grille may be opened from the top for easy maintenance after installation.
2. Open the inlet grille by pulling off the exposed door on the top of the unit (based on the installation).
3. Pull the tab slightly to release the filter. Pull the filter in the same direction as the opening.
4. Clean the filter with warm, soapy water. The water should be below 40°C (104°F).
5. Rinse off and gently shake off excess water from the filter. Let it dry before replacing it.

**DO NOT use your air conditioner without the air filter in place.**

- **To clean the front panels or the cabinet DO NOT use harsh chemicals, abrasives, ammonia, chlorine, bleach, concentrated detergents, solvents or metal scouring pads.**

Some of these chemicals may dissolve, damage and/or discolor your air conditioner.

- **Always use a soft cloth dampened with water or mild soap and water solution to wipe the front of the cabinet.**

Wipe dry with a soft cloth.

- To store your air conditioner, after the season, remove the unit from the window as per the installation guide. Repack the unit in its original box and store away. If you do not intend to remove it from the window then cover the outside with a winter cover.  
This can be purchased from the retailer where you purchased your air conditioner or from your local hardware store.
- Before putting away your unit make sure any water left in the pan is removed and drained away. Water left in the pan could lead to Rusting or damage to the electrical connections.

## Trouble-Shooting

### **If air conditioner does not operate:**

- Check if unit is plugged in. The plug may have come loose.
- Check if the unit is in "Off" mode.
- The fan control may be in "Off" position.

### **Air from air conditioner is warm:**

- The A/C setting may need to be raised.
- The temperature outside the room is below 65°F. The compressor will not cycle on if the temperature outside is below 65°F.

### **Ice formation on cooling coils:**

- Outside temperature too cold. Set the unit on fan only setting to defrost ice.
- Lower temperature setting. Temperature setting may be too cold.
- Unit BTU may be too high for the room.

**Air conditioner working but room not cooling:**

- Room may have appliances that produce heat. Use an exhaust fan to remove excess heat.
- Redirect the airflow. Remove any obstacles.
- All doors and windows need to be closed so cool air does not escape the room.
- Air filter may need cleaning.
- Unit BTU may be too low for the required cooling area.
- On extreme hot & humid days air conditioners may take a little longer to cool.

**Air conditioner is making noise when cooling:**

You may hear sounds of air movement, water, compressor clicking on and off or window vibrations. Please read Operating Guide – Normal Operating Sounds. (see page 7)

**Water in the air conditioner cabinet:**

This is normal as your air conditioner not only cools but also dehumidifies the air. If there is water dripping inside the room, check the installation of the unit. The unit may need to be reinstalled. (see page 13)



ROOM AIR CONDITIONING AND DEHUMIDIFIER PRODUCTS

# Limited Warranty

### What is covered and for how long?

This warranty covers all defects in workmanship or materials for a period of:

- 12 months for labor
- 12 months for parts (Functional Parts Only)
- 5 years for sealed system

The warranty commences on the date of item purchase. Customer shall provide Amana with proof of the date of purchase, brand, model and serial number for verification prior to any warranty service being provided.

### EXCEPTIONS: Commercial or Rental Use warranty

- 90 days for labor
- 90 days for parts
- No other warranty applies

### What is covered/Not covered?

1. The mechanical and electrical parts of the appliance which serve the functional purpose of this appliance are covered for a period of 12 months. This includes all parts except finish and trim.
2. Manufacturing defects to the components of the sealed system (e.g. hermetic compressor, condenser and evaporator) are covered for a period of 5 years from the date of purchase. Any damages to such components caused by mechanical abuse, improper handling or shipping will not be covered.
3. The limited warranty does not cover any credit or refund for any loss or injury caused by the product or defects to the product including but not limited to incidental or consequential damages.

### What will be done?

1. Any mechanical or electrical part that proves to be defective in normal usage during the specified warranty period will be repaired or replaced at Amana's discretion. A&E factory service is the authorized service provider for Amana.

If it is determined that repair is not appropriate or replacement part is unavailable for repair, Amana will exchange the product with a refurbished or new product the same or similar to the original at its discretion.

2. There will be no charge to the purchaser for functional replacement parts and labor on any covered items during the initial 12- month period. Beyond this period, only the components of the sealed system are covered, labor is not provided and must be paid for by the customer.
3. To have your product serviced, please contact Amana customer service 1-888-842-2440.

**THIS WARRANTY COVERS APPLIANCES WITHIN THE CONTINENTAL UNITED STATES, PUERTO RICO AND CANADA. IT DOES NOT COVER THE FOLLOWING:**

- Damages from improper installation.
- Damages incurred during shipping.
- Defects other than manufacturing.

- Damage from misuse, abuse, accident, alteration, lack of proper care and maintenance or incorrect current or voltage.
  - Damage from other than household use.
  - Damage from service by other than an authorized dealer or service center.
  - Decorative trims or replaceable light bulbs.
  - Transportation and shipping.
  - Labor (after the initial 12 months).
  - Credit or Refund for products over 30 days past date of purchase
  - Food loss for food spoiled as a direct result of mechanical failure of the product or of any delay in providing service, repair, replacement.
- This limited warranty doesn't apply to refurbished product or unit purchased as/like new or second-hand. THIS LIMITED WARRANTY IS GIVEN IN LIEU OF ALL OTHER WARRANTIES, EXPRESSED OR INCLUDING THE WARRANTIES OF MERCHANTABILITY AND FITNESS FOR A PARTICULAR PURPOSE
- The remedy provided in this warranty is exclusive and is granted in lieu of all other remedies.
- This warranty does not cover incidental or consequential damages, so the above limitations may not apply to you. Some states do not allow limitations on how long an implied warranty lasts, so the above limitations may not apply to you. This warranty gives you specific legal rights, and you may have other rights, which vary from state to state.

For more information on this and other Amana products, call Customer Affairs Department at:  
1-888-842-2440



CONSUMER INFORMATION LINE  
Amana Toll-Free  
**1-888-842-2440**  
(Not a technical assistance line for dealers.)