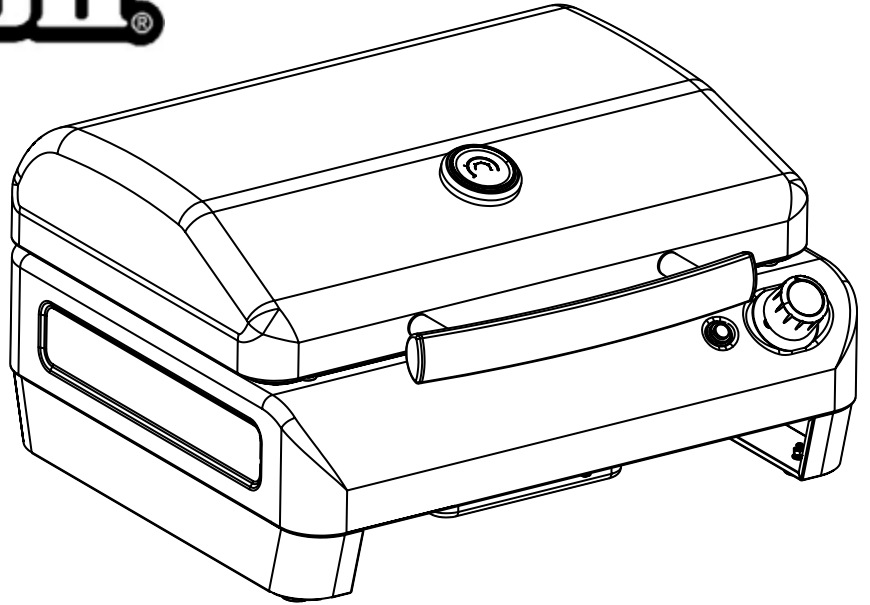




## Electric Tabletop Grill Product Guide

Model 463670812  
Electric



**IMPORTANT:** Fill out the product record information below.

Serial Number \_\_\_\_\_

See rating label on unit for serial number

Date Purchased \_\_\_\_\_

Use only with GFI (Ground Fault Interrupter) protected circuit.

## FOR OUTDOOR USE ONLY

### **WARNING:**

Do not use 16 or 18 gauge extension cords. Damage to household wiring and/or fire could result.

**DO NOT USE CHARCOAL.** A charcoal fire will result and the grill is not designed for charcoal. The fire will create an

### **WARNING:**

Failure to follow all manufacturer's instructions could result in serious personal injury and/or property damage.

### **INSTALLER/ASSEMBLER:**

Leave this manual with consumer.

### **CAUTION:**

Some parts may contain sharp edges. Wear protective gloves if necessary.

### **CONSUMER:**

Keep this manual for future reference.

### **CAUTION:**

Read and follow all safety statements, assembly instructions, and use and care directions before attempting to assemble and cook.

If you have questions or need assistance during assembly, please call 1-800-241-7548  
To insure your satisfaction and for follow-up service, register your appliance online at [www.charbroil.com/register](http://www.charbroil.com/register)

## TABLE OF CONTENTS

Product Record Information . . . . .	1
Important Safeguards. . . . .	2
Safety Symbols . . . . .	2
General Safety . . . . .	3
Use and Care . . . . .	3
Food Safety . . . . .	5
Limited Warranty . . . . .	6
Parts List . . . . .	7
Exploded View . . . . .	8
Troubleshooting . . . . .	10
Registration Card . . . . .	12



**This instruction manual contains important information necessary for the safe use of the appliance.**



**Follow all warnings and instructions when using the appliance.**

### Safety Symbols

The symbols and boxes shown below explain what each heading means. Read and follow all of the messages found throughout the manual.

	<b>DANGER</b>	
<b>DANGER:</b> Indicates an imminently hazardous situation which, if not avoided, will result in death or serious injury.		

	<b>WARNING</b>	
<b>WARNING:</b> Indicates a potentially hazardous situation which, if not avoided, could result in death or serious injury.		

	<b>CAUTION</b>	
<b>CAUTION:</b> Indicates a potentially hazardous situation or unsafe practice which, if not avoided, may result in minor or moderate injury.		

	<b>CAUTION</b>	
<b>For residential use only. Do not use for commercial cooking.</b>		

## IMPORTANT SAFEGUARDS

**When using electrical appliances, basic safety precautions should always be followed including the following:**

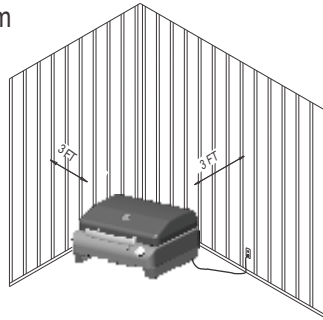
### READ ALL INSTRUCTIONS

- Do not touch hot surfaces. Use handles or knobs.
- To protect against electrical shock, do not immerse cord, plugs, controller or heating element in water or any other liquid.
- Close supervision is necessary when any appliance is used by or near children.
- Unplug from outlet when not in use and before cleaning. Allow to cool before putting on or taking off parts.
- Do not operate any appliance with a damaged cord or plug or after the appliance malfunctions or has been damaged in any manner.
- The use of accessory attachments not recommended by the appliance manufacturer may cause injuries.
- Do not let cord hang over edge of table or counter, or touch hot surfaces.
- Do not place on or near a hot gas or electric burner, or in a heated oven.
- Extreme caution must be used when moving an appliance containing hot oil or other hot liquids.
- Do not use appliance for other than intended use.
- Use only with GFI (Ground Fault Interrupter) protected circuit.
- To prevent grill from being splashed or falling into water, do not use grill within 10 feet of a pool, pond or other body of water.
- Keep grill and electric controller dry and out of rain at all times.
- Unplug grill when not in use and before moving.
- Never remove grounding plug or use with an adapter to two prongs.
- Keep electric plugs off ground and dry.
- Store controller indoors when not in use.
- Do not use water or other liquid spray to clean product without first unplugging electric controller and removing heating element.
- Fuel, such as charcoal briquettes, is not to be used with appliance.
- Use only on properly grounded outlet.
- Longer detachable power-supply cord or extension cords are available and may be used if care is exercised in their use.
- If a longer detachable power-supply cord or extension cord is used:
  1. The marked electrical rating of the cord set or extension cord should be at least as great as the electrical rating of the appliance; and
  2. The cord should be arranged so that it will not drape over the counter top or tabletop where it can be pulled by children or tripped over unintentionally.
- If the appliance is of the grounded type, the extension cord should be a grounding-type 3-wire cord.
- Store products indoors when not in use – out of the reach of children.
- Do not clean this product with a water spray or the like.

**SAVE THESE INSTRUCTIONS**

## General Safety

1. Do not touch hot surfaces with unprotected hands. Use handles and knobs provided for operation.
2. Never leave grill unattended when ON.
3. Keep children away from grill both when hot and cold.
4. Use long barbecue utensils for cooking.
5. Allow grill to cool before moving, cleaning or storing.
6. Keep grill 36" (3 feet) away from walls and rails.
7. For outdoor household use only. Do not use indoors or for commercial cooking.
8. Do not use or store gasoline, kerosene or other flammable liquids within 20 feet of this grill when in use.
9. Store grill in weather protected area or indoors when not in use.
10. Use only accessory attachments recommended by manufacturer.
11. It is the responsibility of the assembler/owner to assemble, install and maintain grill.



## Extension Cord Use and Safety

- For best grill performance use of extension cord is **not** recommended.

### If you must use an extension cord for your safety:

- Use only outdoor type with 3 prong grounding plug, rated for 15 amperes or more, approved by UL, marked with a W-A and a tag stating "Suitable for Use with Outdoor Appliance".
- Use the shortest length extension cord required. Do not connect 2 or more extension cords together. A 12 or 14 gauge extension cord of 50 ft. or less is acceptable.
- Keep connections dry and off ground.
- Do not let cord hang over edge of table top or other items where it can be pulled by children or tripped over.

## Ground Fault Interrupter

- Since 1971 the National Electric Code (NEC) has required Ground Fault Interrupter devices on all outdoor circuits.
- If your residence was built before 1971, check with a qualified electrician to determine if a Ground Fault Interrupter protector exists.
- Do not use this appliance if the circuit does not have GFI protection.
- Do not plug this appliance into an indoor circuit.



Use care when operating your grill. Be sure you read and understand all the information and safeguards in this product guide before operating this grill.

## Use and Care of Your Grill

### Before first use of grill:

- Remove all packaging and sale labels from the grill. Do not use sharp tools to remove stickers.
- Wash cooking grate with warm soapy water, rinse and dry thoroughly.

### Before each use of grill:

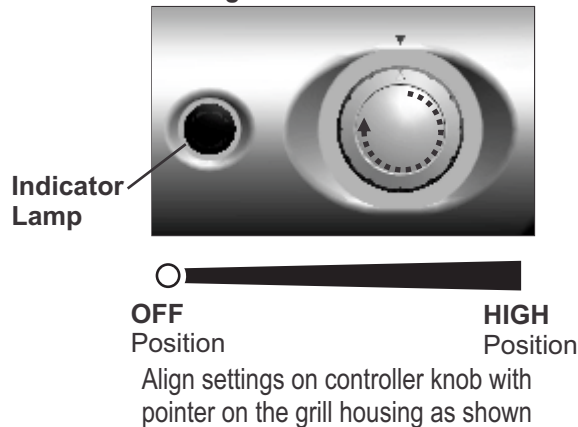
- Use grill only on a firm and level surface to prevent tipping over.
- To prevent household circuit breakers from tripping, do not use other electrical products on the same circuit.
- Check grease tray to make sure it is empty and is mounted under the drain hole.
- For stick-free cooking, apply a thorough coating of vegetable oil or vegetable oil based spray to the cooking grate.

### Turn grill on:

- Ensure electrical controller is turned fully counterclockwise to the off position.
- Plug power supply cord into a properly grounded, GFI protected outlet. If extension cord must be used refer to "Extension Cord Use and Safety" on page 3.
- Turn knob clockwise to desired setting.
- Indicator light should come on.

### Preheating the grill:

- Keep lid closed.  
Preheat for searing, 15-20 minutes with controller set to **HIGH**. ( See illustration below)
- **When the indicator light turns off, the maximum temperature has been reached for the knob setting. This light will cycle on and off during use.**



Do not use sharp or pointed tools to clean grill.

Do not use abrasive oven cleaners, steel wool or metal brushes to clean porcelain grates or grill body. They will damage the finish.

Replace damaged part(s) only with Char-Broil certified replacement parts. Do not attempt to repair damaged parts.



## DANGER



In case of fire turn controller to **OFF** position, unplug grill from outlet and allow fire to burn out. Do not use water to put out a fire in this or another electrical appliance.

To avoid electrical shock disconnect electric cord before removing heating element and cleaning grill. Never immerse electric controller or heating element in any liquid.

To avoid the possibility of burns be sure grill is cool before removing and/or cleaning electric controller and heating element.

### Grilling:

- For best results, cook with the lid closed to hold in heat and provide complete cooking.
- Temperature gauge on the lid indicates approximate cooking temperature inside the grill.
- Controller setting for various foods are dependant upon outdoor conditions and personal cooking preferences.

### Turn grill off:

- Turn controller knob fully counterclockwise to OFF position.
- Unplug cord from outlet.

### Controlling grease fires:

To aid in controlling grease fires use the following precautions:

- Keep grill free from grease; chance of fire is greatly increased by grease buildup.
- Trim excess fat off meat and use less fatty cuts of meat to reduce chance of grease fires.
- If flare-up occurs during cooking reduce controller setting and close lid.
- If flare-up continues turn controller to OFF position and unplug the power cord.
- Clean the porcelain bowl under the heating element at least once a season, more often with heavy use.



## WARNING



- Do not substitute grease tray with other means to collect grease drippings. Use only the grease tray provided.
- Keep appliance area clear and free from combustible materials (to include cloth / plastic table cloths), gasoline and oher flammable liquids.

### Cleaning your grill:

Excess build up of burned grease and food particles will reduce The grill's cooking performance. To obtain optimum performance:

- Best results are obtained by brushing particle buildup downward and through drain hole in bottom of grill.
- Using a mild detergent or hot soapy water, moderately scrub surface of the lower porcelain bowl with a plastic or brass bristle brush.
- Clean cooking grates regularly with warm soapy water or a baking soda and water solution. Use non-abrasive scouring powder for stubborn stains. If a bristle brush is used to clean any of the grill cooking surfaces, ensure no loose bristles remain on cooking surfaces prior to grilling. It is not recommended to clean cooking surfaces while grill is hot.
- Clean porcelain lid and body with a non-abrasive cleaner.

### Storing your grill:

- Clean cooking grate.
- Store grill in weather protected area or indoors when not in use.



## WARNING




### CALIFORNIA PROPOSITION 65

1. Combustible by-products produced when using this product contains chemicals known to the State of California to cause cancer, birth defects, or other reproductive harm.
2. This product contains chemicals, including lead and lead compounds, known to the State of California to cause cancer, birth defects or other reproductive harm.


***Wash your hands after handling this product.***

### Safety Tips

- The grease tray **must** be inserted into appliance and emptied after each use.
- If you have an appliance problem see the "*Troubleshooting Section*".
- Clean grill often, preferably after each cookout. If a bristle brush is used to clean any of the grill cooking surfaces, ensure no loose bristles remain on cooking surfaces prior to grilling. It is not recommended to clean cooking surfaces



WARNING




**For Safe Use of Your appliance and to Avoid Serious Injury:**


- The use of alcohol, prescription or non-prescription drugs may impair the consumer's ability to properly assemble or safely operate the appliance.
- When cooking, the appliance must be on a level, stable surface in an area clear of combustible material.
- Do not leave appliance unattended. Keep children and pets away from the appliance at all times.
- Do not move the appliance when in use.
- This appliance is not intended for and should never be used as a heater.
- This appliance will be hot during and after use. Use insulated oven mitts or gloves and long-handled barbecue utensils for protection from hot surfaces or splatter from cooking liquids.
- Keep appliance area clear and free from materials that burn.
- Keep appliance area clear and free from combustible materials, gasoline and other flammable vapors and liquids.
- Use appliance only in well-ventilated space.

**Apartment Dwellers:**

Check with management to learn the requirements and fire codes for using an electric grill in your apartment complex. Use only as allowed.



CAUTION



- **Putting out grease fires by closing the lid is not possible. This appliance is well ventilated for safety reasons.**
- **Do not leave appliance unattended while burning off food residue. If appliance has not been regularly cleaned, a grease fire can occur that may damage**

**Food Safety**

Food safety is a very important part of enjoying the outdoor cooking experience. To keep food safe from harmful bacteria, follow these four basic steps:

**Clean:** Wash hands, utensils, and surfaces with hot soapy water before and after handling raw meat and poultry.

**Separate:** Separate raw meats and poultry from ready-to-eat foods to avoid cross contamination. Use a clean platter and utensils when removing cooked foods.

**Cook:** Cook meat and poultry thoroughly to kill bacteria. Use a thermometer to ensure proper internal food temperatures.

**Chill:** Refrigerate prepared foods and leftovers promptly.

**For more information call: USDA Meat and Poultry Hotline at 1-888-MPHOTLINE (888-674-6854) In Washington, DC**

**Or E-mail: [mph hotline.fsis@usda.gov](mailto:mph hotline.fsis@usda.gov)**

**How To Tell If Meat Is Cooked Thoroughly**

- Meat and poultry cooked in the appliance often browns very fast on the outside. Use only thawed meat and a meat thermometer to be sure food has reached a safe internal temperature, and cut into food to check for visual signs of doneness.
- We recommend food to be at least 40°F before cooking in your appliance.
- Whole poultry should reach 165° F. Juices should run clear and flesh should not be pink.
- Beef, veal and lamb steaks, roasts and pork chops can be cooked to 160° F.
- NEVER partially cook meat or poultry and finish cooking later. Cook food completely to destroy harmful bacteria.
- Use a meat thermometer to ensure proper internal food temperatures.

USDA Recommended Internal Cooking Temperatures	
<b>Ground Meat</b>	
Beef, Pork, Veal, Lamb.....	160°F
Turkey, Chicken.....	165°F
<b>Fresh Beef, Veal, Lamb</b>	
Medium Rare.....	145°F
(let stand 3 minutes before cutting)	
Medium.....	160°F
Well Done.....	170°F
<b>Poultry</b>	
Chicken & Turkey, whole.....	165°F
Poultry Parts.....	165°F
Duck & Goose.....	165°F
<b>Fresh Pork</b>	
Medium Rare.....	145°F
(let stand 3 minutes before cutting)	
Medium.....	160°F
Well Done.....	170°F

## LIMITED WARRANTY

This warranty only applies to units purchased from an authorized retailer. Manufacturer warrants to the **original consumer-purchaser** only that this product shall be free from defects in workmanship and materials after correct assembly and under normal and reasonable home use for the periods indicated below beginning on the date of purchase\*. The manufacturer reserves the right to require that defective parts be returned, postage and or freight pre-paid by the consumer for review and examination.

<u>SCOPE OF COVERAGE</u>	<u>PERIOD OF COVERAGE</u>	<u>TYPE OF FAILURE COVERAGE</u>
All Parts	1 year from date of purchase*	PERFORATION, MANUFACTURING, AND MATERIAL DEFECTS ONLY

\*Note: A dated sales receipt WILL be required for warranty service.

**The original consumer-purchaser will be responsible for all shipping charges for parts replaced under the terms of this limited warranty.**

This limited warranty is applicable in the United States and Canada only, is only available to the original owner of the product and is not transferable. **Manufacturer requires proof of your date of purchase. Therefore, you should retain your sales slip or invoice.** Registering your product is not a substitute for proof of purchase and the manufacturer is not responsible for or required to retain proof of purchase records.

This limited warranty applies to the functionality of the product ONLY and does not cover cosmetic issues such as scratches, dents, corrossions or discoloring by heat, abrasive and chemical cleaners or any tools used in the assembly or installation of the appliance, surface rust, or the discoloration of stainless steel surfaces. **RUST is not considered a manufacturing or materials defect.**

**This limited warranty will not reimburse you for the cost of any inconvenience, food, personal injury or property damage.**

### ITEMS MANUFACTURER WILL NOT PAY FOR:

1. Shipping cost, standard or expedited, for warranty and replacement parts
2. Service calls to your home.
3. Repairs when your product is used for other than normal, single-family household or residential use.
4. Damage, failures, or operating difficulties resulting from accident, alteration, careless handling, misuse, abuse, fire, flood, acts of God, improper installation or maintenance, installation not in accordance with electrical or plumbing codes, or use of products not approved by the manufacturer.
5. Any food loss due to product failures or operating difficulties.
6. Replacement parts or repair labor costs for units operated outside the United States or Canada.
7. Pickup and delivery of your product.
8. Repairs to parts or systems resulting from unauthorized modifications made to the product.
9. The removal and/or reinstallation of your product.

### DISCLAIMER OF IMPLIED WARRANTIES and LIMITATION OF REMEDIES

Repair or replacement of defective parts is your exclusive remedy under the terms of this limited warranty. In the event of parts availability issues, the manufacturer reserves the right to substitute like or similar parts that are equally functional.

Manufacturer will not be responsible for any consequential or incidental damages arising from the breach of either this limited warranty or any applicable implied warranty, or for failure or damage resulting from acts of God, improper care and maintenance, grease fire, accident, alteration, replacement of parts by anyone other than Manufacturer, misuse, transportation, commercial use, abuse, hostile environments (inclement weather, acts of nature, animal tampering), improper installation or installation not in accordance with local codes or printed manufacturer instructions.

THIS LIMITED WARRANTY IS THE SOLE EXPRESS WARRANTY GIVEN BY THE MANUFACTURER. NO PRODUCT PERFORMANCE SPECIFICATION OR DESCRIPTION WHEREVER APPEARING IS WARRANTED BY MANUFACTURER EXCEPT TO THE EXTENT SET FORTH IN THIS LIMITED WARRANTY. ANY IMPLIED WARRANTY PROTECTION ARISING UNDER THE LAWS OF ANY STATE, INCLUDING IMPLIED WARRANTY OF MERCHANTABILITY OR FITNESS FOR A PARTICULAR PURPOSE OR USE, IS HEREBY LIMITED IN DURATION TO THE DURATION OF THIS LIMITED WARRANTY.

**Neither dealers nor the retail establishment selling this product has any authority to make any additional warranties or to promise remedies in addition to or inconsistent with those stated above.** Manufacturer's **maximum liability**, in any event, shall not exceed the purchase price of the product paid by the original consumer.

NOTE: Some states do not allow an exclusion or limitation of incidental or consequential damages, so some of the above limitations or exclusions may not apply to you. This limited warranty gives you specific legal rights as set forth herein. You may also have other rights which vary from state to state. In the state of California only, if refinishing or replacement of the product is not commercially practicable, the retailer selling this product or the Manufacturer will refund the purchase price paid for the product, less the amount directly attributable to use by the original consumer-purchaser prior to discovery of the nonconformity. In addition, in the state of California only, you may take the product to the retail establishment selling this product in order to obtain performance under this limited warranty.

**If you wish to obtain performance of any obligation under this limited warranty, you should write to:**

**Consumer Relations  
P. O. Box 1240  
Columbus, GA 31902-1240**

Consumer returns will not be accepted unless a valid Return Authorization is first acquired. Authorized returns are clearly marked on the outside of the package with an RA number and the package is shipped freight/postage pre-paid. Consumer returns that do not meet these standards will be refused.

WS\_1 Rev03

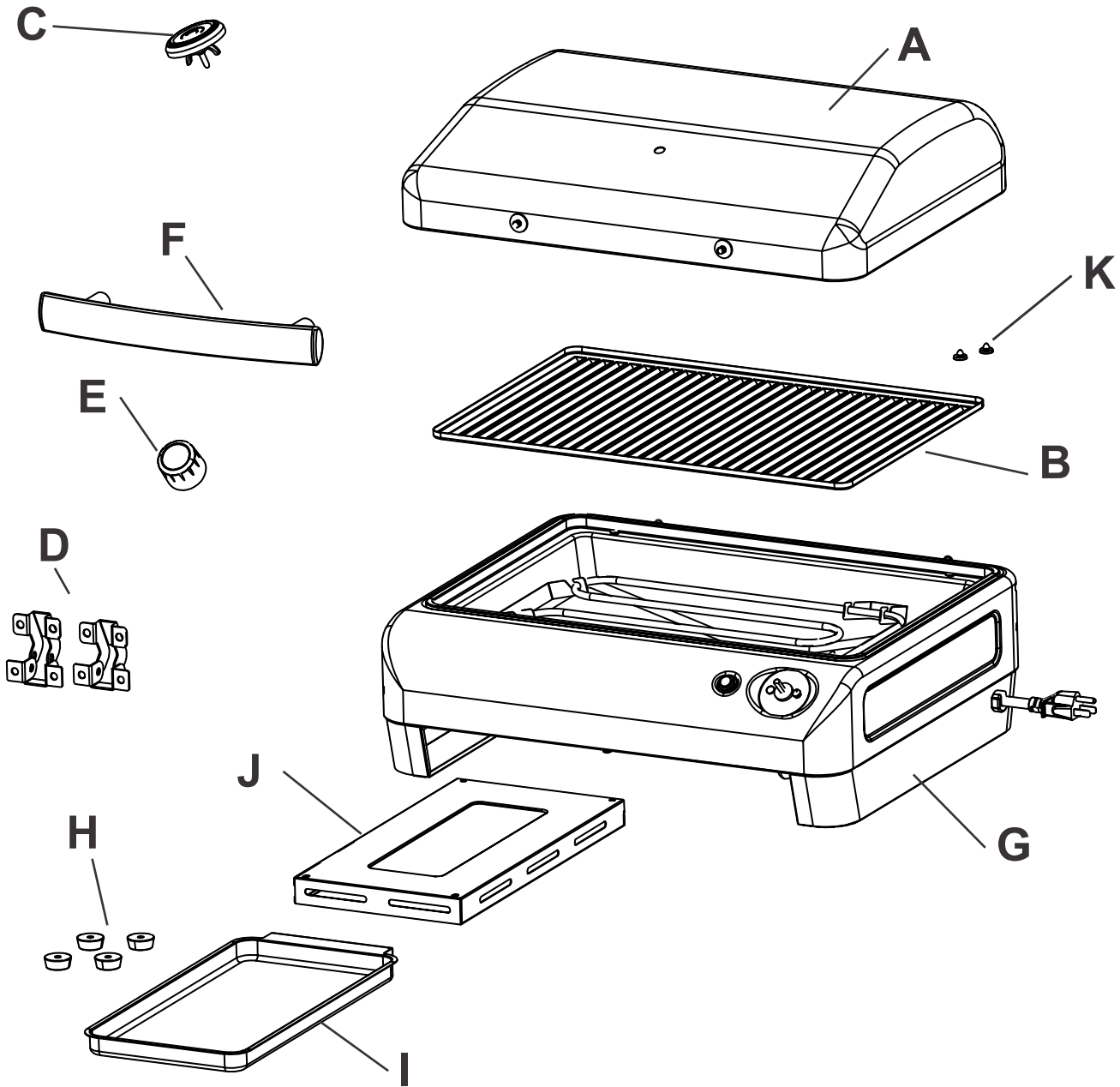
**PARTS LIST**

<b>Key</b>	<b>Qty</b>	<b>Description</b>
A	1	GRILL LID
B	1	COOKING GRATE
C	1	TEMPERATURE GAUGE, W/ BEZEL
D	2	LID HINGE
E	1	KNOB
F	1	HANDLE
G	1	BASE W/ CONTROLLER / ELEMENT
H	4	RUBBER FEET
I	1	GREASE TRAY
J	1	GREASE TRAY RAIL
K	2	BUMPER F/ LID

**NOT Pictured**

...	1	ASSEMBLY MANUAL, ENGLISH
...	1	ASSEMBLY MANUAL, SPANISH
...	1	ASSEMBLY MANUAL, FRENCH

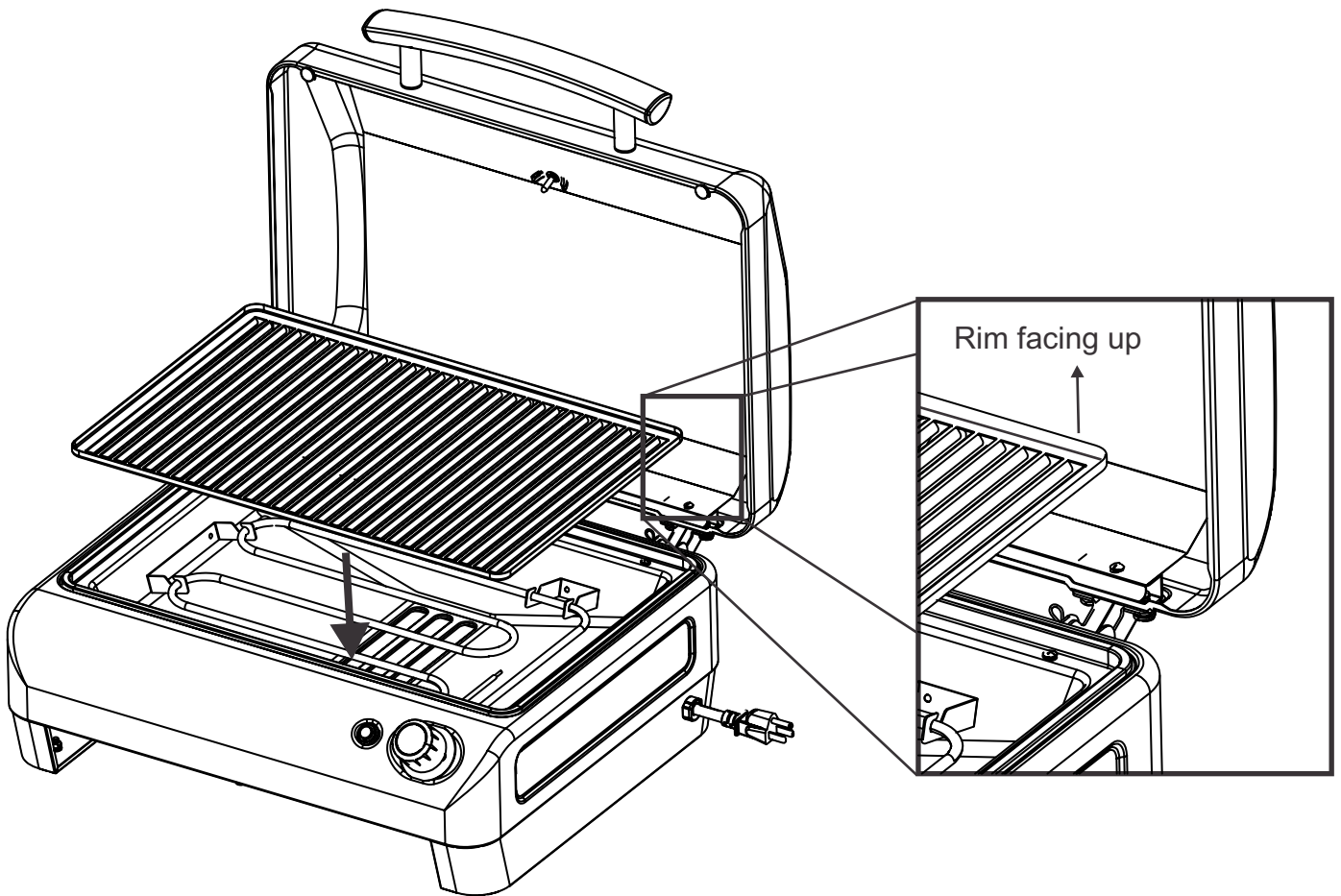
**EXPLODED VIEW**





## NOTES

When installing the cooking grate - be sure to install it with the rim facing up, as shown below.



## Troubleshooting

Problem	Possible Cause	Prevention/Solution
Grill not heating	<ul style="list-style-type: none"> <li>• Controller turned to <b>OFF</b> position.</li> <li>• No power.</li> <li>• Faulty controller or heating element.</li> </ul>	<ul style="list-style-type: none"> <li>• Turn controller knob to setting <b>HIGH</b>.</li> <li>• Be sure controller is fully seated in heating element bracket and grill is properly plugged into outlet.</li> <li>• Check for tripped household circuit breakers or GFI (Ground Fault Interrupter). Reset or replace if necessary.</li> <li>• Try a known, working appliance in the outlet.</li> <li>• Try a different outlet, preferably on a different circuit.</li> <li>• Replace controller or heating element.</li> </ul>
Circuit breaker trips or fuse blows	<ul style="list-style-type: none"> <li>• Power surge.</li> <li>• Another appliance plugged into same circuit as grill.</li> <li>• Moisture or water in controller or electrical connections.</li> <li>• Damaged cord or electrical connections.</li> </ul>	<ul style="list-style-type: none"> <li>• Turn controller to OFF position before plugging into electrical outlet.</li> <li>• Do not use other electrical appliances on the same circuit.</li> <li>• Keep controller and all electrical connections dry. Do not operate unit when raining.</li> <li>• Replace damaged controller or extension cord.</li> </ul>
Grill will not cook properly	<ul style="list-style-type: none"> <li>• Lid of grill is left open.</li> <li>• Insufficient preheat or temperature set too low.</li> <li>• Inappropriate extension cord.</li> <li>• Excessive buildup on porcelain bowl.</li> </ul>	<ul style="list-style-type: none"> <li>• Close lid on grill while cooking.</li> <li>• Preheat 15-20 minutes. Increase controller setting.</li> <li>• Replace with appropriately rated cord (15 amps).</li> <li>• Clean lower porcelain bowl.</li> </ul>
Flare-ups	<ul style="list-style-type: none"> <li>• Excess fat in meat.</li> <li>• Excessive cooking temperature.</li> <li>• Grease build up.</li> </ul>	<ul style="list-style-type: none"> <li>• Trim fat from meat before grilling.</li> <li>• Adjust (lower) temperature as needed.</li> <li>• Clean grill.</li> </ul>
Controller indicator light is not lit.	<ul style="list-style-type: none"> <li>• Normal controller cycling.</li> <li>• No power.</li> <li>• Faulty controller.</li> </ul>	<ul style="list-style-type: none"> <li>• Increase knob setting or wait for light to cycle on.</li> <li>• See "Grill not heating".</li> <li>• Replace controller or heating element.</li> </ul>
Persistent grease fire	<ul style="list-style-type: none"> <li>• Grease trapped by food build up.</li> </ul>	<ul style="list-style-type: none"> <li>• Turn controller knob to the OFF position. Keep lid on and let fire burn out. After grill cools, clean insulation bowl.</li> <li>• <b>Do not apply water to fire. Personal injury may result.</b></li> </ul>

# Thank you for recent purchase from Char-Broil!

Register your product to receive a special offer  
[www.charbroil.com/register](http://www.charbroil.com/register)



## Check out these great features on our website!

- Product information
- Grilling accessories
- Replacement parts
- Reliable customer support
- Delicious recipes
- Grilling tips from expert chefs
- Exciting events and promotions
- Share your grilling secrets
- Browse the on-line store
- And much more!

**Char-Broil**<sup>®</sup>

[www.charbroil.com](http://www.charbroil.com)  
For all your grilling needs!



Please register your product online at:  
 Registre su producto en línea en:  
 Veuillez enregistrer votre produit à l'adresse:

**www.charbroil.com/register**

(If you register online, you do not need to send in this registration card.)

(Si registra en línea, no es necesario enviar esta tarjeta de registro.)

(Si vous enregistrez votre produit en ligne, il n'est pas nécessaire d'envoyer la carte

PLEASE FILL OUT THIS CARD AND ATTACH A COPY OF YOUR SALES RECEIPT. RETURN IT WITHIN 10 DAYS OF PURCHASE. FOR WARRANTY SERVICE PROOF OF PURCHASE WILL BE REQUIRED. THIS WARRANTY IS NON-TRANSFERABLE.

LLENE ESTA TARJETA Y DEVUELVALA DENTRO DE LOS 10 DIAS DE LA COMPRA. PARA EL SERVICIO DE GARANTIA ES NECESARIO QUE PRESENTE SU COMPROBANTE DE COMPRA. CONSERVE LA FACTURA. ESTA GARANTIA ES INTRANSFERIBLE.

VEUILLEZ COMPLETER CETTE CARTE ET LA RETOURNER DANS LES 10 JOURS SUIVANT L'ACHAT. POUR OBTENIR LE SERVICE SOUS GARANTIE, UNE PREUVE D'ACHAT DOIT ETRE PRESENTEE. VEUILLEZ CONSERVER VOTRE FACTURE. LA PRESENTE GARANTIE N'EST PAS TRANSFERABLE.

\*Required | Necesario | Exigé

~ PLEASE PRINT ~ IMPRIMA POR FAVOR ~ S'IL VOUS PLAÎT IMPRIMER ~

\* **1** First Name | Nombre | Prénom \_\_\_\_\_ Initial | Inicial | Initiale \_\_\_\_\_ Last Name | Apellido | Nom de Famillie \_\_\_\_\_

Address (number & street) | Dirección (número y calle) | Adresse (numéro et rue) \_\_\_\_\_ Apt Number | Nº de apart | Nº d'appt. \_\_\_\_\_

City | Ciudad | Ville \_\_\_\_\_ State | Estado | Province \_\_\_\_\_ Zip Code | Código Zip | Code Postal \_\_\_\_\_

\* **2** E-mail Address | Dirección de correo electrónico | Adresse électronique \_\_\_\_\_ \* **3** Phone Number | Número telefónico | Numéro de téléphone \_\_\_\_\_

\* **4** Model Number | Número de modelo | Numéro de modèle \_\_\_\_\_



Serial Number | Número de serie | Numéro de série \_\_\_\_\_

STICKER ON PRODUCT

**6** Date of Purchase | Fecha de compra | Date de l'achat \_\_\_\_\_

**7** Store Name | Nombre de la tienda | Nom du magasin \_\_\_\_\_

\$ \_\_\_\_\_

**8** Purchase Price | Precio de compra | Prix d'achat \_\_\_\_\_

**9** Your Gender | Sexo | Sexe:

- Male | Masculino | Masculin  
 Female | Femenino | Féminin

**10** Which product are you registering?

¿Qué producto está registrando?  
 Quel produit enregistrez-vous?

1.  Gas Grill | Parrilla a gas | Gril au gaz
2.  Electric Grill | Parrilla eléctrica | Gril électrique
3.  Smoker | Ahumador | Fumoir
4.  Charcoal Grill | Parrilla a carbón | Barbecue au charbon
5.  Cooker/Fryer | Cocina/freidora | Cuisieur/Friteuse
6.  Other | Otro | Autre

Mail to: / Enviar a: / Envoyer à :

Char-Broil Warranty Registration

P.O. Box 1240

Columbus, GA 31902-1240

We respect your privacy. | Respetamos su privacidad. | Nous respectons votre vie privée.

- If you prefer not to receive special offers and promotions from Char-Broil, please check here:
- Marque aquí si no desea recibir ofertas y promociones especiales de Char-Broil:
- Si vous préférez ne pas recevoir d'informations concernant des offres spéciales et des promotions de Charbroil, veuillez cocher ici:

Thank you for completing this questionnaire. | Gracias por completar este cuestionario. | Merci d'avoir bien voulu remplir ce questionnaire.

\* **5** Attach copy of your sales receipt here.

Adjunte aquí la copia de su recibo de compra

Veillez attacher une copie de votre reçu ici.