



4500SERIES

Signature

⚠ DANGER

Failure to follow these instructions could result in fire or explosion that could cause property damage, personal injury or death.

⚠ DANGER

DO NOT use Grill indoors or in any enclosed area. DO NOT use in or on boats or recreational vehicles. Toxic fumes and carbon monoxide can accumulate and cause asphyxiation.

⚠ WARNING

Improper installation, adjustment, alteration, service or maintenance can cause injury or property damage. Read the installation, operation and maintenance instructions thoroughly before installing or servicing this equipment.

⚠ PROP 65 WARNING

Chemicals known to the state of California to cause cancer, birth defects or other reproductive harm are created by the combustion of propane.

⚠ WARNING

FOR YOUR SAFETY:
For Outdoor Use Only
(outside any enclosure)

ITEM# JXG4604SS

4-Burner LP Gas Grill



SAVE THESE INSTRUCTIONS FOR FUTURE REFERENCE. IF YOU ARE ASSEMBLING THIS UNIT FOR SOMEONE ELSE, GIVE THIS MANUAL TO HIM OR HER TO SAVE FOR FUTURE REFERENCE.

FOR CUSTOMER SERVICE, CALL 1-888-841-7304 (TOLL-FREE) 07:00 A.M. – 05:00 P.M. (PST), MONDAY-FRIDAY, EMAIL US AT CUSTOMER.SERVICE@BONDMFG.COM OR VISIT OUR WEBSITE AT WWW.BONDMFG.COM.





QUESTIONS, PROBLEMS, MISSING PARTS WITH THIS PRODUCT? DO NOT RETURN TO YOUR RETAILER. PLEASE CALL OUR CUSTOMER SERVICE DEPARTMENT AT 1-888-841-7304, 7:00AM to 5:00PM (PST), MONDAY THROUGH FRIDAY, OR EMAIL US AT CUSTOMER.SERVICE@BONDMFG.COM OR VISIT OUR WEBSITE AT WWW.BONDMFG.COM

Grill Operation 1-2-3

Before Grilling

- Step 1 Keep your grill a safe distance away from your property.*
- Step 2 Always perform a Leak Test on all connections and hoses. *
- Step 3 Keep children away from the grill.

During Grilling

(To avoid tripping safety valves, please follow these instructions carefully!)

- Step 1 First open lid and turn gas tank on slowly.
- Step 2 Turn only one knob on at a time when lighting up the grill.
- Step 3 Use protective gloves when grill gets hot.

After Grilling

- Step 1 Always burn grill for 10-15 minutes to burn off food residue after use.
- Step 2 Wait until the grill is completely cooled before closing lid.
- Step 3 Clean up grease build-up to avoid grease fire and cover your grill to prevent rust.

* Please refer to the owner's manual for details.

WARNING

1. Do not store or use gasoline or other flammable liquids or vapor in the vicinity of this or any other appliance.
2. An LP cylinder not connected for use shall not be stored in the vicinity of this or any other appliance.

DANGER

If you smell gas:

1. Shut off gas to the appliance.
2. Extinguish any open flame.
3. Open lid.
4. If odor continues, keep away from the appliance and immediately call your gas supplier or your fire department.

Always read and understand the **WARNINGS** and **INSTRUCTIONS** that are contained in this manual before attempting to use this gas barbecue grill to prevent possible bodily injury or property damage.

NOTE: This grill must be used with propane gas only (propane gas cylinder not included). Always keep this manual for convenient future reference.

Table of Contents

For Your Safety.....3

Package Contents.....5

Illustrated Parts List6

Hardware List.....7

Assembly Instructions.....8

Operating Your Grill.....13

Connecting & Disconnecting The Gas Cylinder..... 14

Checking for Leaks.....14

Lighting Your Grill.....14

Excess Flow Safety Valve Reset Procedure.....17

Care and Maintenance.....18

Troubleshooting.....19

Warranty Program.....21

For Your Safety

Dear Valued Customer,

Congratulations on the purchase of your new Black & Decker 4500 Series Gas Grill!! In this manual, you will find assembly instructions, suggestions for grilling and helpful hints, as well as guidelines for the safe operation, proper care and use of your grill. Our expert staff strives to provide you with an easy-to-assemble product. Should you have any questions or problems with this product, please call our customer service department at 1-888-841-7304, 7:00AM to 5:00PM (PST), Monday through Friday, email us at customer.service@bondmfg.com. Or visit our website at www.bondmfg.com.

NOTE: The use and installation of this product must conform to local codes. In the absence of local codes, use the National Fuel Gas Code, ANSI Z223.1/ NFPA54. Reference to Natural Gas and Propane Installation code CSA B149.1 or Propane Storage and Handling code B149.2.

IMPORTANT NOTICE: READ ALL INSTRUCTIONS PRIOR TO ASSEMBLY AND USE

Safety First!

Read and understand all warnings and precautions prior to operating your grill.

WARNING

1. This grill is for outside use only. It should not be used in a building, garage or any other enclosed area.
2. The use of alcohol, prescription or non-prescription drugs may impair an individual's ability to properly assemble or safely operate this appliance.
3. Always open the grill lid carefully and slowly as heat and steam trapped within the grill could cause severe burns.
4. Always place your grill on a hard level surface far away from combustible materials and structures. An asphalt or blacktop surface may not be acceptable for this purpose.
5. Do not leave a lit grill unattended.
6. Keep children and pets away from the grill at all times.
7. This is not a tabletop grill. Do not place this grill on any type of tabletop surface.
8. Do not use the grill in high winds.
9. This grill must be used with propane gas only (propane gas cylinder not included).
10. Do not attempt to attach this grill to the self-contained propane system of a camper, trailer, motor home or house.
11. Do not use charcoal or lighter fluid.
12. Do not use gasoline, kerosene or alcohol for lighting. The LP-gas supply cylinder must be constructed and marked in accordance with the specifications for propane gas cylinders of the U.S. Department of Transportation (DOT) CFR 49.
13. This outdoor gas appliance is not intended to be installed in or on recreation vehicles and/or boats.
14. Do not attempt to move the grill while it is lit.
15. Do not use the grill unless it is **COMPLETELY** assembled and all parts are securely fastened and tightened.
16. Keep combustible items and surfaces at least 24 inches away from the grill at all times. **DO NOT** use this gas grill or any gas product under any overhead enclosure or near any unprotected combustible constructions.
17. Do not use in an explosive atmosphere. Keep grill area clear and free from combustible materials, gasoline and other flammable vapors and liquids.
18. Do not attempt to use or assemble with missing or damaged parts. Contact customer service for replacement parts.

CAUTION-Prevention of Burns

1. To avoid burns, do not touch the metal parts of the grill until they have completely cooled for at least 45 minutes or unless you are wearing protective gear such as pot holders, protective gloves or mittens.
2. Do not alter the grill in any manner.
3. Clean and inspect the hose before each use. If there is evidence of abrasion, wear, cuts or leaks, the hose must be replaced prior to operation. The replacement hose assembly should be in accordance with the manufacturer's specifications.
4. Move gas hoses as far away as possible from hot surfaces and dripping hot grease.
5. Never keep a filled gas container in a hot car or car trunk. Heat will cause the gas pressure to increase, which could open the relief valve and allow gas to escape.

Safe Locations For Use Of This Outdoor Grill

DANGER

Never use this outdoor grill inside any building, garage, shed or breezeway, or inside any boat, trailer or recreational vehicle to prevent a possible fire and to prevent the possibility of carbon monoxide poisoning or asphyxiation.

WARNINGS

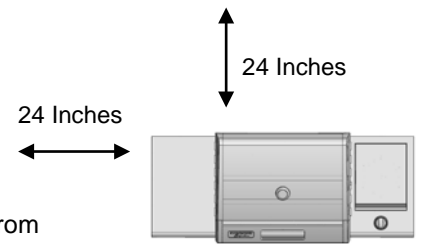
Do not use this appliance under overhead combustible surface or covered area (e.g. awnings, umbrellas, porches or gazebos).

Always confirm that this grill is not positioned under the overhang of a house, a garage or other structure before lighting it. An overhang will serve to deflect flare-ups and radiated heat into the structure itself, which could result in a fire.

Always confirm that this grill is positioned more than 24 inches (61 cm) away from any combustible materials or surface before lighting it, and that no gasoline or other volatile substances are stored in the vicinity of this grill.

(See diagram to right). The temperature of a grease fire or of the radiated heat might otherwise be sufficient to ignite nearby combustible or volatile substances. Always locate this grill where there will be ample combustion and ventilation air, but never position it in the direct path of a strong wind.

Never allow the grill to operate while unattended to prevent uncontrolled grease fires from erupting.



Never attempt to move this grill while it is in operation or while it is still hot to prevent possible personal injury.

Never store or use gasoline or other flammable or volatile substances in the vicinity of this grill or in the vicinity of any other heat-generating appliance because of the danger of starting a fire.

Always confirm that the installation of this grill conforms with the requirements of all local codes or, in the absence of applicable local codes, with either the National Fuel Gas Code, ANSI Z223. NFPA 54 or CAN/CGA-B149.2.

DANGER – Gas Safety

Liquid propane (LP) gas is flammable and hazardous if handled improperly. Become aware of its characteristics before using any propane product.

- Propane Characteristics: Flammable, explosive under pressure, heavier than air and settles in pools in low areas.
- In its natural state, propane has no odor. For your safety, an odorant has been added.
- Contact with propane could cause freeze burns to the skin.
- This grill is shipped from the factory for propane gas use only.
- Never use a propane cylinder with a damaged body, valve, collar or footing.
- Dented or rusted propane cylinders may be hazardous and should be checked by your propane gas supplier.

CAUTION

- It is essential to keep the grill's valve compartment, burners and circulating air passages clean.
- Inspect the grill before each use.

Step 1. Inspect all hoses and connections and make certain they are secure.

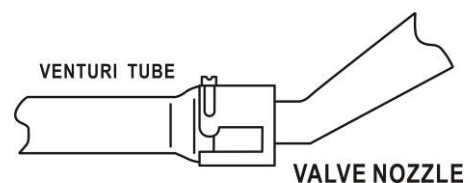
Step 2. Check and clean the burner venturi tubes for insects and insect nests by removing the burner and inserting a bottle brush cleaner into each tube to make sure the passage is clear.

*** A clogged tube can lead to a fire beneath the grill. ***

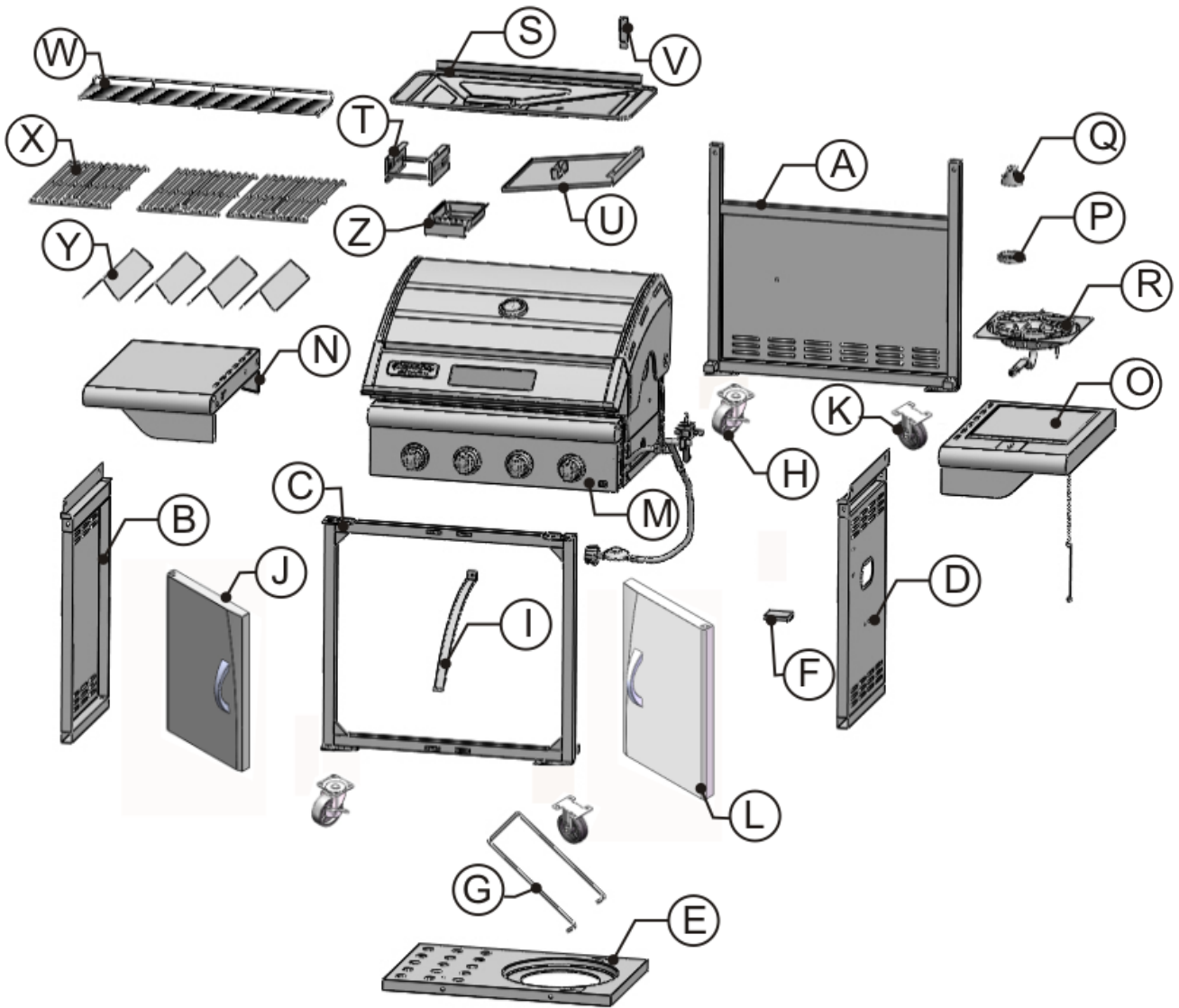
Step 3. Ensure that the valve nozzle is pointing straight and completely inserted into the venturi tube.

GENERAL INFORMATION








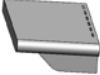
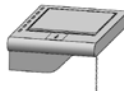





1. A propane gas cylinder is required for operation.
2. This gas grill is NOT intended for commercial use.



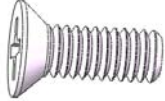









Package Contents



Illustrated Parts List

A. Cart back panel	1 pc.	B. Cart left side panel	1 pc.	C. Cart front frame	1 pc.	D. Cart right side panel	1 pc.
							
E. Cart bottom panel	1 pc.	F. Right spare tank stopper	1 pc.	G. Tank clip	1 pc.	H. Swivel caster	2 pcs.
							
I. Left spare tank clip	1 pc.	J. Cart left door	1 pc.	K. Rigid caster	2 pcs.	L. Cart right door	1 pc.
							
M. Body assembly	1 pc.	N. Left side table	1 pc.	O. Right side table	1 pc.	P. Knob seat	1 pc.
							
Q. Knob	1 pc.	R. Side burner frame	1 pc.	S. Grease panel	1 pc.	T. Grease cup support	1 pc.
							
U. Tank heater insulator	1 pc.	V. Grease panel stopper	1 pc.	W. Warming pack	1 pc.	X. Cooking grid	3 pcs.
							
Y. Heating plate	4 pcs.	Z. Grease tray	1 pc.				
							

Hardware List

AAA: M6X 10 flat bolt	4 pcs.	BBB: M6X 15 bolt	33 pcs.	CCC: M4X 10 bolt	10 pcs.
					
DDD: M6 flat washer	37 pcs.	EEE: M6 spring washer	36 pcs.	FFF: M4 flat washer	10 pcs.
					
GGG: M4 spring washer	4 pcs.	HHH: Battery	3 pcs.	III: Screwdriver	1 pc.
					
JJJ: M6 nut	4 pcs.				
					

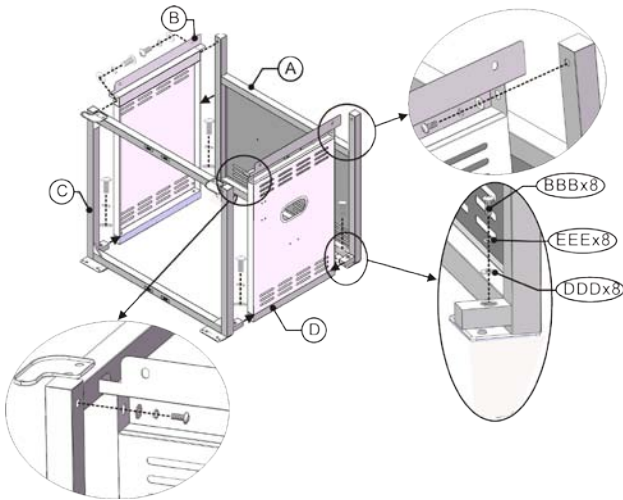
**Hardware listed above is not scaled to exact size.
(A screwdriver is required on assembly and is included for your convenience).**

Assembly Instructions

Remove all contents from the carton packaging. Make sure all parts are present before attempting assembly. Once the grill is fully assembled, go back and check to make certain all the bolts are secure. Tighten again using the screwdriver provided if necessary.

Estimated Assembly Time: 40 minutes.

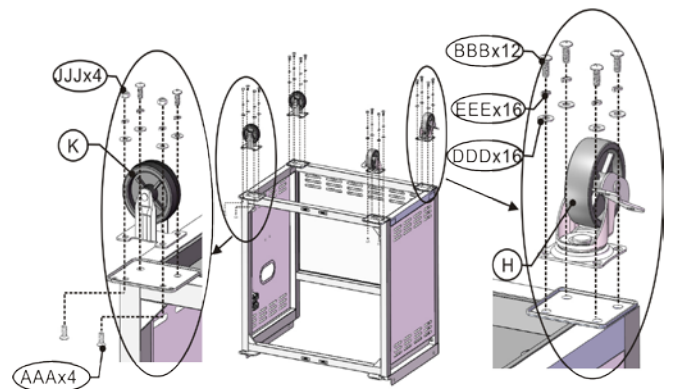
Step 1 (Assemble cart panels with cart frame)



- Push the cart front frame (C) and cart right side panel (D) together and connect well, then push the cart back panel (A) and cart right side panel (D) and connect well. Make certain the connections are secure.
- Align the holes on the cart front frame (C) with the holes on cart right side panel (D). Insert one M6x15 bolt (BBB) with one M6 spring washer (EEE) and one M6 flat washer (DDD) into each pre-drilled hole. Tighten bolts by hand until secure.
- Repeat the procedure for the cart right side panel and the cart back panel assembly.
- Repeat the procedure for the cart left side panel (B) assembly.
- Go back and tighten all the bolts using the screwdriver provided.

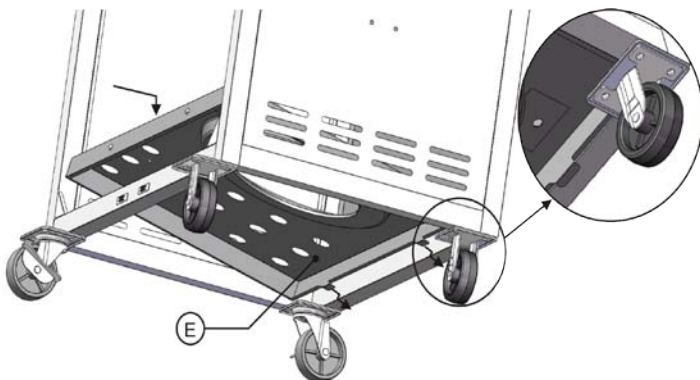
Step 2 (Mount casters)

- Align the holes on the left front rigid caster (K) with the holes on the left side of cart front frame (C) as shown.
- Insert one M6x10 flat bolt (AAA) through the pre-drilled holes on the front, then screw one M6 flat washer (DDD), one M6 spring washer (EEE) and one M6 nut (JJJ) on the flat bolts.
- Insert one M6x15 bolt (BBB) with one M6 spring washer (EEE) and one M6 flat washer (DDD) into each pre-drilled holes at the back. Tighten bolts by hand until secure.
- Align the holes on the left back rigid caster (K) with the holes on the left side of the cart back panel (A) as shown.
- Insert one M6x15 bolt (BBB) with one M6 spring washer (EEE) and one M6 flat washer (DDD) into each pre-drilled holes. Tighten bolts by hand until secure.
- Repeat the procedures on the swivel casters (H) with the cart assembly.
- Go back and tighten all the bolts using the screwdriver provided.



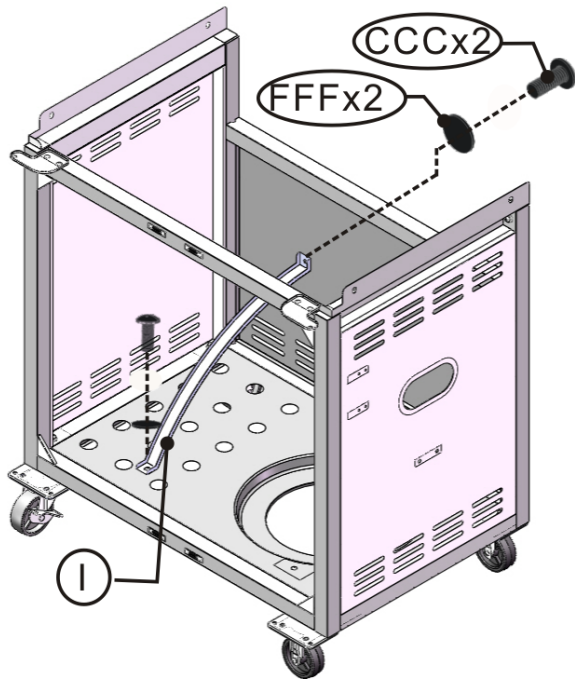
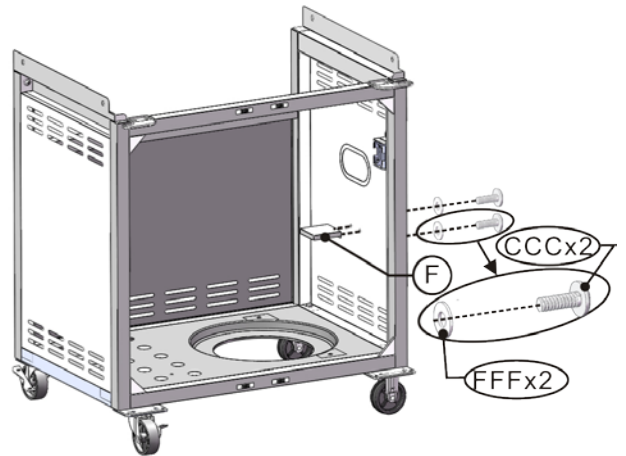
Step 3 (Assemble cart bottom panel)

- Place the cart bottom panel (E) onto the cart bottom frame as shown, make certain the two ears of the bottom panel are under the bottom frame.



Step 4 (Assemble the right spare tank stopper)

- a) Align the holes on the right spare tank stopper (F) with the pre-drilled holes on the right side panel.
- b) Insert one M4x10 bolt (CCC) with one M4 flat washer (FFF) into each pre-drilled hole. Tighten bolts by hand until secure.
- c) Go back to tighten all the bolts using the screwdriver provided.

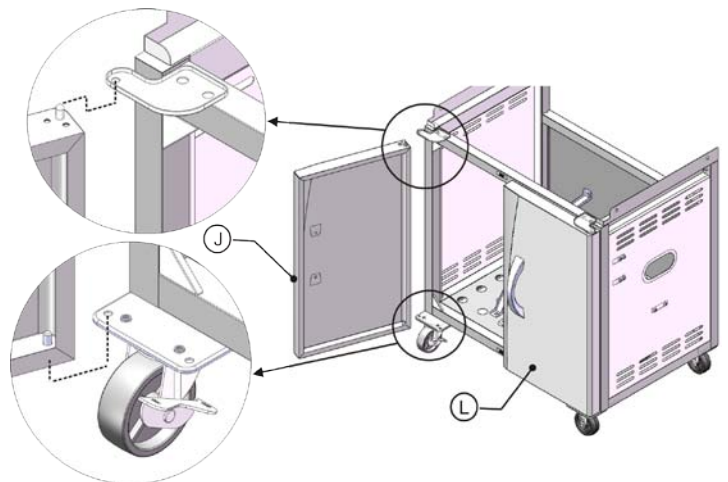


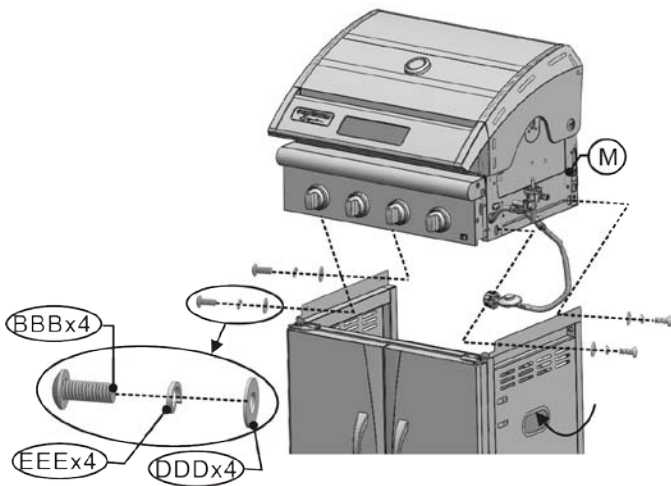
Step 5 (Assemble left spare tank clip with cart assembly)

- a) Align the holes on the left spare tank clip (I) with the holes on the bottom and back panel of cart assembly.
- b) Insert one M4x10 bolt (CCC) with one M4 flat washer (FFF) into each pre-drilled hole to connect the tank clip with cart assembly.
- c) Go back to tighten all the bolts using the screwdriver provided.

Step 6 (Assemble doors with cart assembly)

- a) Insert the bottom pin of cart left door (J) into the pre-drilled hole on the cart bottom panel.
- b) Push down the top pin of the cart left door and insert it into the pre-drilled hole on the left end of cart front frame.
- c) Repeat the procedure for the cart right door (L) assembly.
- d) Close the two doors.



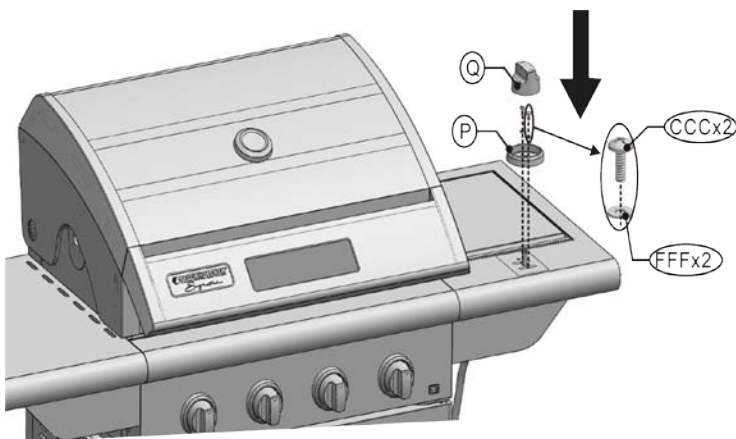
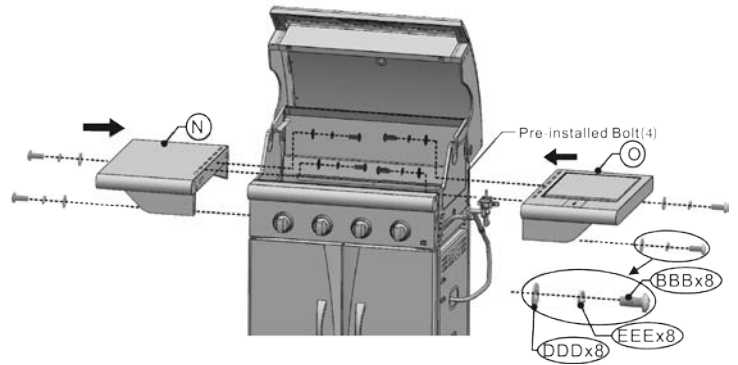


Step 7 (Assemble the body assembly with cart assembly)

- Unpack the regulator/ hose assembly (located underneath the firebox) prior to assembling the grill body to the cart. Pull out the regulator/hose to the cart side panel then go ahead to this step.
- Put the body assembly (M) on the top of cart assembly.
- Align the holes on the top of cart right side panel with the holes on the right of body assembly.
- Insert one M6x15 bolt (BBB) with one M6 spring washer (EEE) and one M6 flat Washer (DDD) into each pre-drilled hole. Tighten the bolts by hand until secure.
- Repeat the procedure for the left end assembly.
- Go back to tighten all the bolts using the screwdriver provided.

Step 8 (Assemble the side tables with body assembly)

- Loosen the bolts (pre-installed) on the right side of body assembly and allow 1/4 bolt's length to extend from the body assembly.
- Align the holes on the right side table (O) with the bolts extended from the right side of body assembly. Push down the right side table until it locks into place.
- Align the holes on the right side table with the holes of body and cart assembly.
- Insert one M6x15 bolt (BBB), one M6 spring washer (EEE) and one M6 flat washer (DDD) into each pre-drilled hole. Tighten bolts by hand until secure.
- Repeat the procedure for the right side table (N) with body assembly.
- Go back and tighten all bolts using the screwdriver provided.

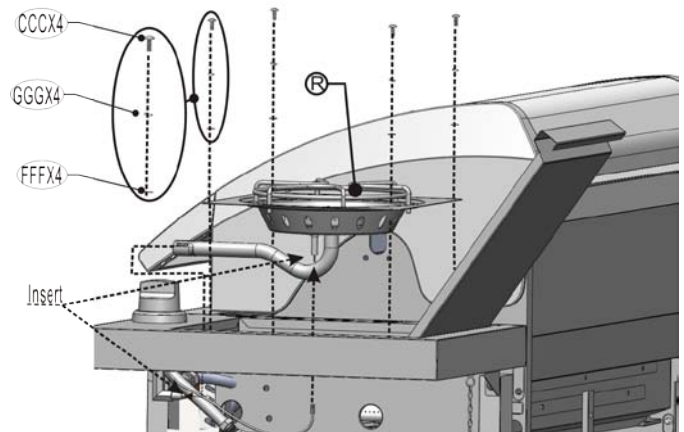


Step 9 (Knob and knob seat assembly)

- Align the holes on the knob seat (P) with the holes on the side shelf and the side burner valve. Screw one M4X10 bolt (CCC) with one M4 flat washer (FFF). Tighten the bolts using the screwdriver provided.
- Insert the knob (Q) onto the valve shaft.

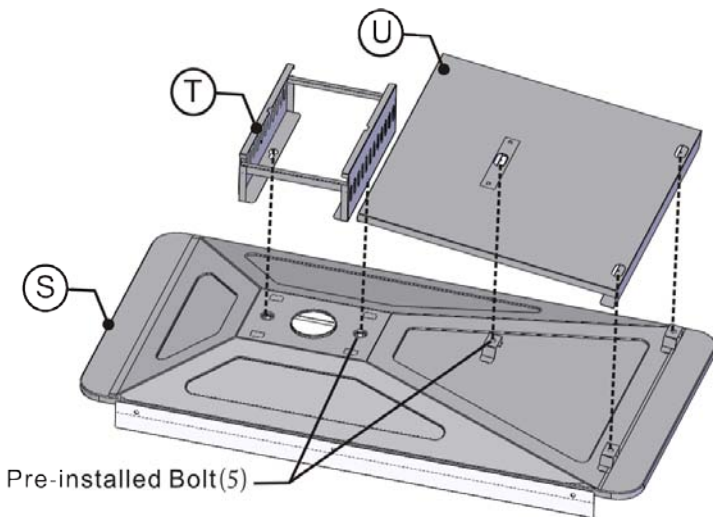
Step 10 (Assemble the side burner)

- a) Open the side burner lid and place the side burner frame (R) on the right side table. Make certain the venturi tube is connected properly with the valve.
- b) Align the holes on the side burner frame (R) with the holes on the right side table. Insert one M4x10 bolt (CCC) with one M4 spring washer (GGG) and one M4 flat washer (FFF) into each pre-drilled hole.
- c) Go back to tighten all of the bolts using the screwdriver provided.
- d) Insert the ignition cable onto the electrode.
- e) Close the lid.



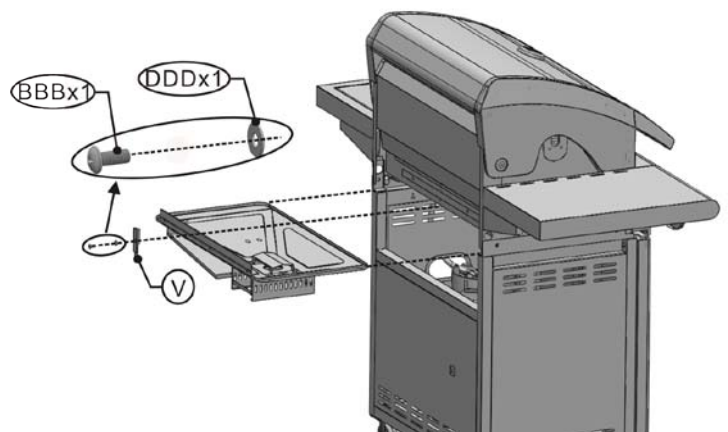
Step 11 (Assemble the grease panel with tank heat insulator and grease cup support)

- a) Loosen the pre-installed bolts on the grease panel (S) and allow 1/4 bolt's length to extend from the grease panel
- b) Align the holes on the tank heat insulator (U) and the holes on the grease cup support (T) with the bolts extended from the grease panel.
- c) Tighten the bolts using the screwdriver provided.



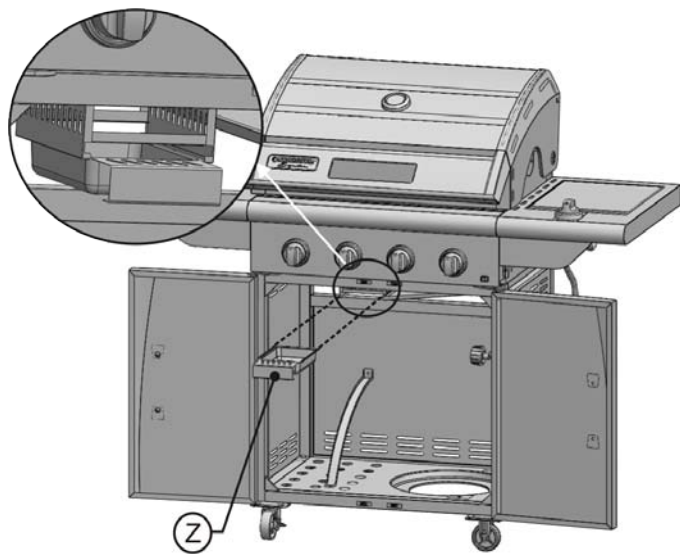
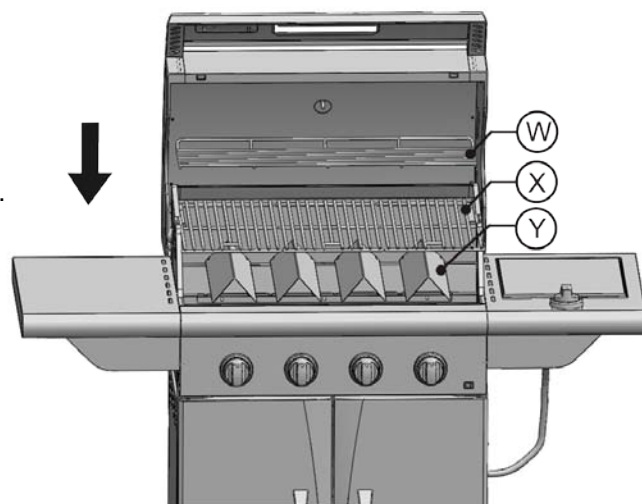
Step 12 (Assemble the grease panel with grease panel stopper)

- a) Place the grease panel assembly into the firebox from the back.
- b) Button up the grease panel stopper (V) on the firebox. Align the hole on the grease panel stopper with the hole on the firebox. Insert one M6x15 bolt (BBB) with one M6 flat washer (DDD) into the pre-drilled hole.
- c) Tighten the bolts using the screwdriver provided.



Step 13 (Heating plate, cooking grid and warming rack assembly)

- Place the heating plates (Y) upon the burners.
- Place the cooking grids (X) upon the heating plates.
- Place the warming rack (W) on the warming rack support as shown.
- Close the top lid.

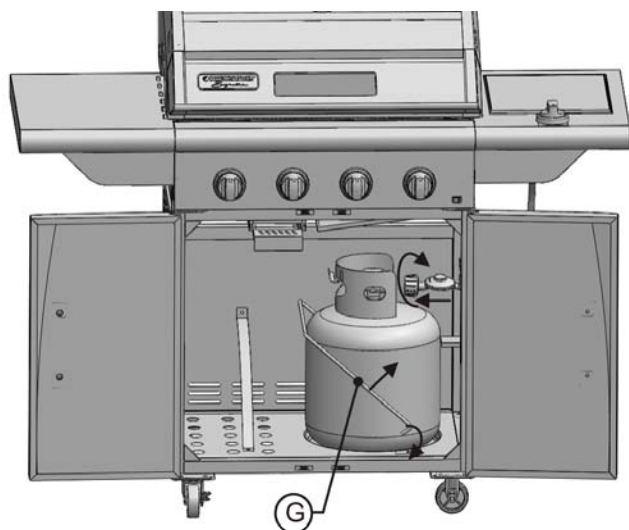
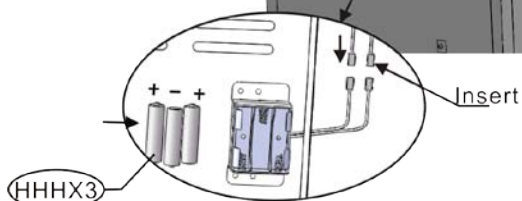
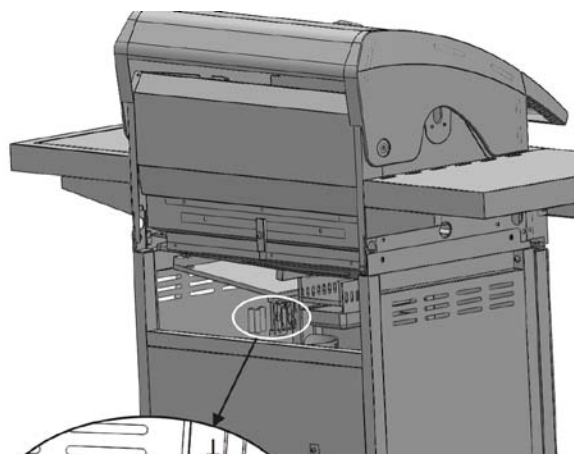


Step 14 (Assemble the grease cup with grease cup support)

- Place the grease cup (Z) into the grease cup support from the front level as shown.

Step 15 (Assemble the LED light)

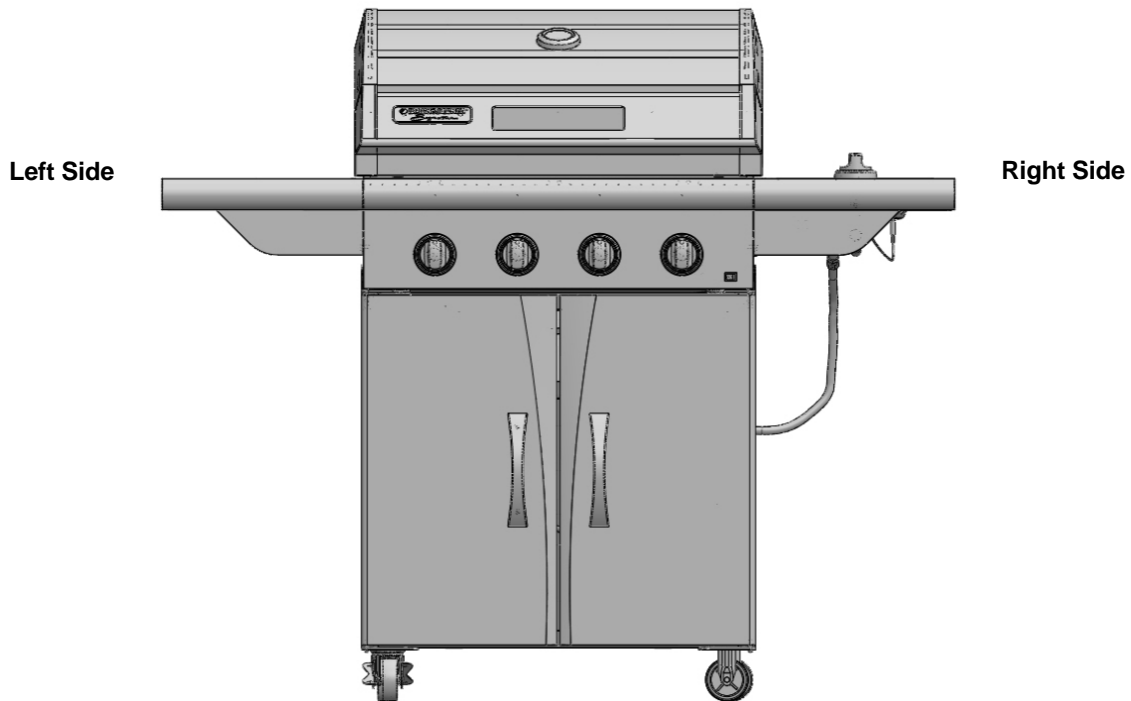
- Put the batteries (HHH) into the pre-installed battery box. Note the negative and positive direction.
- Connect the LED Light cables together.



Step 16 (Gas Tank Connection)

- Open the cart doors.
- Place gas tank on the tank holder and clip it using the tank clip (G).
- Connect the tank with regulator by screwing the collar onto the tank valve.
- Conduct the leak test on page 14 to make certain all connections are connected securely.

Fully Assembled View



Operating the Grill

CAUTION:

Use only the regulator provided. If a replacement is necessary, call our customer service center. The use of unauthorized parts can create an unsafe condition or environment and will void the warranty.

The propane gas supply cylinder used must be constructed and marked in accordance with the *Specifications for Propane Gas Cylinders* of the U.S. Department of Transportation (DOT). Only cylinders with a listed overfill prevention device (OPD) and marked "propane" may be used. Cylinders with an OPD will have valve handles with three "lobes" (prongs).

The pressure regulator and hose assembly supplied with the outdoor cooking gas appliance must be used. Replacement pressure regulators and hose assembly must be those specified by the outdoor cooking gas appliance manufacturer. Use only 20-pound cylinders equipped with a cylinder connection device compatible with the connection for outdoor cooking appliances. The cylinder must include a collar to protect the cylinder valve. The gas cylinder should not be dropped or handled roughly. If the appliance is not in use, the gas cylinder must be disconnected.

Storage of the appliance indoors is permissible ONLY if the cylinder is disconnected and removed from the appliance. Cylinders must be stored outdoors and out of the reach of children. Cylinder must not be stored in a building, garage or other enclosed areas. Your cylinder must never be stored where temperatures can reach over 125°F.

Before connecting, make sure there is no debris caught in the head of the gas cylinder, regulator valve or in the head of the burner and burner ports. Connect regulator valve and hand tighten firmly. Disconnect the propane cylinder from the regulator valve when the grill is not in use. DO NOT obstruct the flow of combustion air or ventilation air to the grill. The propane cylinder must be arranged for vapor withdrawal and equipped with a listed overfill prevention device (OPD).

Danger: A fire causing death or serious injury may occur if the following is not followed exactly:

Never store or use gasoline or other volatile substances in the vicinity of this grill.

Never store a spare propane cylinder in the vicinity of this grill, or in the vicinity of another potential heat source.

Never fill the propane cylinder beyond 80% full.

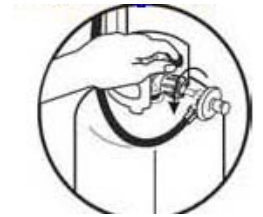
This grill is designed to connect to a standard 20 lb. L.P. cylinder only, please refer to the assembly instructions for the installation.

Warning: Don't store spare gas cylinder in or near grill.

Connecting & Disconnecting the Gas Cylinder

LP (Propane) Gas Supply Connection

1. Always place the propane cylinder on the tank brackets located on the right side of the cart.
2. Always confirm that all burner control knobs are in the OFF position before activating the gas supply.
3. Before connection, be sure that there is no debris caught in the head of the gas cylinder, head of the regulator valve, or in the head of the burner and burner ports.
4. Always connect the gas supply regulators as follows:
Insert the nipple of the valve coupling into the tank valve and tighten the connection collar by turning it clockwise with one hand while holding the regulator with the other hand.
(See diagram to right.)
5. Disconnect the propane cylinder from the regulator valve when the grill is not in use.
6. Always confirm that burner control knobs are in "OFF" position before disconnecting the gas supply.
7. Before disconnection, make sure that the tank valve is in the "OFF" position.
8. Always disconnecting the gas supply regulators as follows:
Loosen the connection collar by turning it anti-clockwise with one hand while holding the regulator with the other hand and take the nipple of the valve out of the tank valve (see the diagram right).
9. Place dust cap on cylinder valve outlet whenever the cylinder is not in use. Install only the type of dust cap on cylinder valve outlet that is provided with the cylinder valve. Other types of caps or plugs may result in leakage of propane.



DANGER

To prevent fire or explosion hazard when testing for a leak:

1. Always perform the "leak test" on page 14 before lighting the grill and each time the cylinder is connected for use.
2. Do not smoke or allow other sources of ignition in the area while conducting a leak test.
3. Conduct the leak test outdoors in a well-ventilated area.
4. Do not use matches, lighters or a flame to check for leaks.
5. Do not use grill until all leaks have been stopped. If you are unable to stop a leak, disconnect the propane supply, call for gas appliance service or your local propane gas supplier.

Checking for Leaks

1. Make 2-3 oz. of leak solution by mixing one part liquid dishwashing soap with three parts water.
2. Make sure control knobs are in the "OFF" position.
3. Spray some solution on the tank valve up to the regulator connection.
(See diagram to right.)
4. Inspect the solution at the connections for bubbles. If no bubbles appear, the connection is secure.
5. If bubbles appear, you have a leak. Go to step 6.
6. Disconnect the regulator from the tank and reconnect. Make sure the connection is secured.
7. Retest with solution.
8. If you continue to see bubbles, replace the cylinder.



Lighting Your Grill



Danger: Failure to open lid while igniting the grill's burners or not waiting five minutes to allow gas to clear if the grill does not light, may result in an explosion, which could cause serious bodily injury or death.



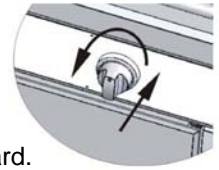
WARNING: Never stand with your head directly over the grill when preparing to light the main burners, to prevent possible bodily injury.

Main Burner

1. Open lid while lighting burners.

⚠ WARNING: Attempting to light the burner with the lid closed may cause an explosion. Make sure there are no obstructions of airflow to the gas unit. Spiders and insects can nest and clog the burner/ venturi tube at the orifice. A clogged burner tube can lead to a fire beneath the appliance.

2. All valves must be in the "OFF" position.
3. Open cylinder valve.
4. Ignite only the burners you wish to use, using the same method for each:
Push desired burner valve knob and rotate slowly about 1/4 counterclockwise until a click is heard. The burner should light. If the burner does not light, return the valve knob to the "OFF" position immediately. Wait five minutes for the gas to clear and repeat the procedure. After burner is lit, repeat the procedure with any other burner desired.
5. Adjust valve knob(s) to desired cooking temperature.



Using the Lighting Stick to Light the Main Burners

1. Insert a match into the end of lighting stick. Light the match.
2. Once lit, put the lighting stick through the cooking grid and place the flame next to the burner ports found along the sides of the desired burner (See diagram to right.)
3. Press the valve knob and rotate it counter-clockwise to the "HIGH" position. The burner should light immediately. If more than one burner is desired, repeat the procedure 2-3 until all desired burners are lit.
4. Adjust burners to the desired cooking temperature.



⚠ Precautions

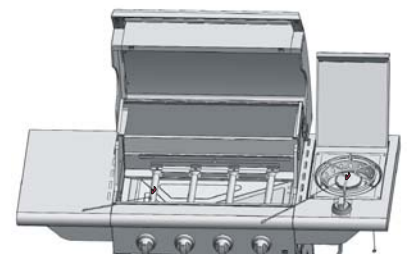
1. After lighting, observe the burner flame. Make sure all burner ports are lit.
2. If the burner flame goes out during operation, immediately turn the gas "OFF". Open lid to let the gas clear for at least 5 minutes before re-lighting.
3. Before cooking on the grill for the first time and operate the grill for approximately 15 minutes with the lid closed and the gas turned on "HIGH". This will "heat clean" the internal parts, dissipate odor from the manufacturing process and painted finish.
4. Clean the grill after each use. DO NOT use abrasive or flammable cleaners. This may damage parts of the grill and cause a fire.

Side Burner

1. Open lid while lighting the burner. Lid must remain open while burner is lit.
2. Valve must be in the "OFF" position.
3. Open cylinder valve.
4. Push side burner knob fully and rotate it slowly about 1/4 turn counterclockwise until a click is heard. The burner should light. If the burner does not light, turn the knob to the "OFF" position immediately. Wait five minutes for the gas to clear and repeat the procedure.
5. Adjust valve knob to the desired cooking temperature

Using the Lighting Stick to Light the Side Burner

1. Open lid while lighting the burner. Lid must remain open while burner is lit
2. Remove the lighting stick then insert a match into the end of lighting stick. Light the match.
3. Once lit, place the flame to reach the burner ports. (See diagram to right.)
4. Press the control knob and rotate it counterclockwise to the "HIGH" position. The burner should light immediately.
5. Adjust burner to the desired cooking temperature.

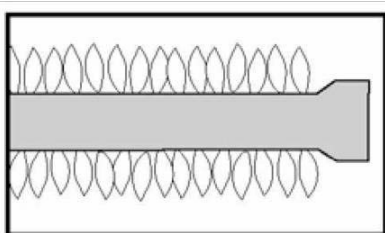


Observe flame height when lit:

Flame should be a blue/yellow color between 1 to 2 inches high.

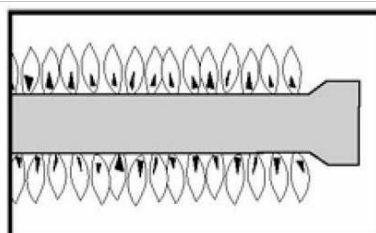
Confirm that the burner is properly lit and that the flame pattern is as desired (see fig. A,B and C below for the proper flame patterns). If the flame pattern is other than normal, consult the *Troubleshooting* on page 19 for corrective action.

FIG. A



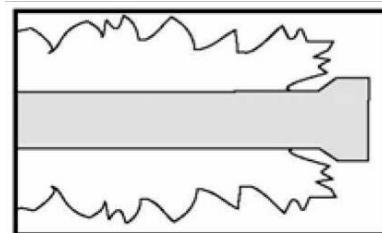
Out of adjustment: Noisy hard blue flames – too much air.

FIG. B



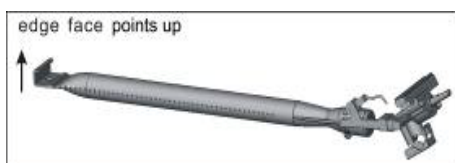
Normal: Soft blue flames with yellow tips between 1 inch - 2 inches high.

FIG. C



Poor combustion: Wavy, yellow flames- too little air.

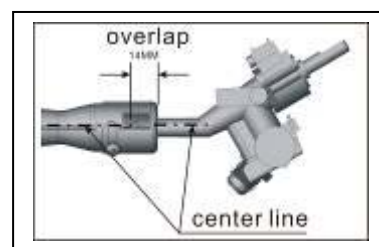
Burner Installation and adjustment



1. Place edge face up to install the burner.



1. Release the screw on venturi tube.
2. Adjust the flame by turning the collar on head of venturi tube from back side of the grill and do not take apart the venturi tube.
3. Tighten the screw and make certain it is secured.



1. Overlap 14 mm between venturi tube and nozzle when assembling.
2. Keep the center line of venturi tube and nozzle on one line.

Lighting Infrared/Searing Side Burner

1. Open lid while lighting burner.
2. Make sure the control knob is locked in the “OFF” position.
3. Open cylinder valve.
4. Push and turn control knob to “HIGH” setting. After lighting, please observe the ceramic plate on the surface of burner; it should feel warm after 5-10 seconds and the color of the ceramic plate should turn red in 2-3 minutes.
5. If burner does not light on the first try, turn the control knob to its OFF position and wait 5 minutes for gas to clear before trying again. If burner flame goes out during operation, immediately turn the gas OFF and open lid to let the gas clear for about 5 minutes. Attempt to re-light.
6. Clean your grill after each use, DO NOT use abrasive or flammable cleansers, as it will damage the parts of this product and may start a fire. Clean with warm soapy water.

Observing the Heat and Color of the Infrared Ceramic Burner when lit

- Flame of infrared burner might be visible in shaded area.
- After burner is lit, it should feel warm in 5-10 seconds and color of the ceramic plate turns red in approximately 2-3 minutes.

⚠ WARNING:

DO NOT adjust the air-shutter while the grill is in operation. If it still hot, please wear protective gear and be careful. Failure to follow this instruction could cause personal injury.

Flare-ups

“Flare-ups” sometimes occur when food drippings fall onto the hot heat distribution plate or the burners and will ignite. Some flaring is normal and desirable as it helps impart the unique flavors associated with grilled foods. Controlling the intensity of the flare-ups is necessary, however, in order to avoid burned or unevenly cooked foods and to prevent the possibility of accidental fire.

⚠ WARNING: Always monitor the grill closely when cooking and turn the flame level down to “LOW” or “OFF” if flare-ups intensify.

Shutting Off Burners

1. Always turn the valve knob(s) clockwise to the "HIGH" position, and then press and turn it to "OFF". Never force the knob without pressing it: This could damage the valve.
2. Promptly turn the gas supply to the "OFF" position at the propane cylinder.
3. Close the lid of the grill.

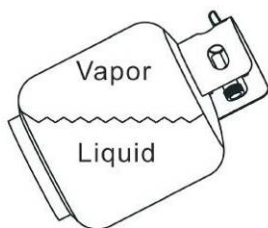
Excess flow safety valve reset procedure

- The new regulators are equipped with a safety device that restricts the gas flow in the event of a gas leak. However, unsafe practices of grill operation could activate the safety device without having a gas leak.
- A sudden shut off of the gas flow typically occurs if you open the LP tank valve rapidly, or if one or more of the burner control knobs is in an open position when opening the LP tank valve.
- This procedure is effective with all LP Tank sizes as well as Natural Gas. When performing the procedure on a Natural Gas model, simply substitute "Natural Gas valve" for "LP Tank".
- To ensure the procedure is safely and successfully performed, please carefully follow these instructions:
 1. Close the LP tank valve.
 2. Turn all burner control knobs to the "OFF" position.
 3. Disconnect the regulator from the LP tank.
 4. Open the lid of the grill.
 5. Turn burner control knobs to "HIGH".
 6. Wait at least 1 minute.
 7. Turn burner control knobs "OFF".
 8. Wait for at least 5 minutes.
 9. Re-connect the regulator to the LP tank.
 10. Slowly turn the LP tank valve ¼ turn at a time and have the valve all the way open.
 11. With the lid open: For grill with ignition button: turn on only ONE front burner control knob to the HIGH position. Ignite the grill by pushing the ignition button. For grill with an automatic ignition: Push down the control knob you want to light, turn counterclockwise until you hear the ignition click.
 12. After the first front burner is lit, turn on the other control knob(s) to the "HIGH" position. **If you have more than two burners, turn them on only ONE AT A TIME.
 13. When all front burners are lit, close the grill lid.
 14. Wait for 10-15 minutes; the temperature should reach 400 – 450°F

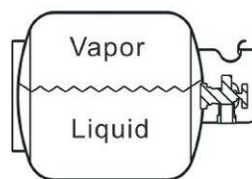
⚠ WARNING: The cylinder valve always has to be above the horizontal position, for the cylinder to have only vapor withdrawal.



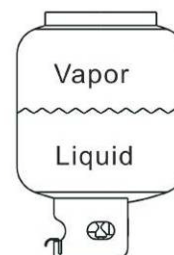
CORRECT



WRONG



WRONG




WRONG

Care and Maintenance

IMPORTANT

Always allow to completely cool off before covering your grill to prevent corrosion from condensation.

 **Caution:** All cleaning and maintenance should be done when the grill is cool, with the fuel supply turned off at the control dial and the propane cylinder disconnected. DO NOT clean any grill part in a self-cleaning oven. The extreme heat will damage the finish.

Cleaning

Burning off the grill after every use (approx. 15 minutes) will keep excessive food residue from building up. Clean the grill before and after cooking is recommended.

Recommended cleaning materials -

Mild dishwashing liquid detergent	Hot water
Nylon cleaning pad	Wire brush
Paper clip	Putty knife/scrapper
Compressed air	

DO NOT use cleaners that contain acid, mineral spirits or xylene.

Outside surfaces

Use a mild dishwashing detergent and hot water solution to clean. Rinse thoroughly with water.

Inside surface

If the inside surface of the grill lid has the appearance of peeling paint, baked on grease has turned to carbon and is flaking off. Clean thoroughly with a strong solution of detergent and hot water. Rinse with water and allow it to completely dry.

Interior of grill bottom – Remove residue using brush, scraper and/or cleaning pad. Wash with a dishwashing detergent and hot water solution. Rinse with water and let dry.

Cooking Grates – The porcelain grates have a glass-like composition that should be handled with care. Use a mild dishwashing detergent or baking soda and hot water solution. Non-abrasive scouring powder can be used on stubborn stains. Rinse with water.

Heat Plates – Clean residue with wire brush and wash with soapy water. Rinse with water.

Grease Cup – Periodically empty the grease cup and clean with a dishwashing detergent and hot water solution.

Cleaning the Burner Assembly

1. Turn gas off at the control knobs and propane tank.
2. Remove cooking grates and heat plate.
3. Remove grease tray.
4. Remove burner by unscrewing nut from beneath burner “foot” using a screwdriver and pliers.
5. Lift burner up and away from the gas valve orifice.
6. Clean inlet (venturi tube) of burner with small bottle brush or compressed air.
7. Remove all food residue and dirt on outside of burner surface.
8. Clean any clogged ports with a stiff wire (such as an opened paper clip).
9. Inspect burner for damage (cracks or holes). If damage is found, replace with a new burner. Reinstall burner. Make certain the gas valve orifices are correctly positioned, pointing straight into burner inlet (venturi tube). Also, check position of spark electrode.

Troubleshooting

Problem	Possible Cause	Prevention/Cure
Burner will not light using knobs or igniter.	Wires and/or electrode covered with cooking residue.	Clean wire and /or electrode with rubbing alcohol.
	Electrode and burners are wet.	Wipe dry with cloth.
	Electrode cracked or broken – sparks at crack.	Replace electrode.
	Wire loose or disconnected.	Reconnect wire or replace electrode/wire assembly.
Burner will not light using a match.	No gas flow.	Check if propane tank is empty. If empty, replace or refill. If propane tank is not empty, refer to Excessive flow safety valve reset procedure on page 17
	Coupling nut and regulator not fully connected.	Turn the coupling nut about one-half to three quarters additional turn until solid stop. Tighten by hand ONLY - do not use tools.
	Obstruction of gas flow.	Clear burner tubes. Check for bent or kinked hose.
	Disengagement of burner to valve.	Reengage burner and valve.
	Spider webs or insect nest in venturi.	Clean venturi.
	Burner ports clogged or blocked.	Clean burner ports.
Sudden drop in gas flow or reduced flame height.	Tank out of gas.	Check for gas in propane tank.
Irregular flame pattern, flame does not run the full length of burner.	Excess flow safety device may have been activated.	Refer to the Excessive flow safety valve reset procedure on page 17.
Flame is yellow or orange.	Burner ports are clogged or blocked.	Clean burner ports.
	New burner may have residual manufacturing oils.	Burn grill for 15 minutes with the lid closed.
	Spider webs or insect nest in venturi.	Clean venturi.
	Food residue, grease or seasoning salt on burner.	Clean burner.
	Poor alignment of valve to burner venturi.	Assure burner venturi is properly engaged with valve.
Flame blow out.	High or gusting winds.	Turn front of grill to face wind or increase flame height.
	Low on propane gas.	Replace or refill propane tank.
	Excess flow valve tripped.	Refer to the Excessive flow safety valve reset procedure on page 17.
Flare-up.	Grease buildup.	Clean grill.
	Excessive fat in meat.	Trim fat from meat before grilling.
	Excessive cooking temperature.	Adjust (lower) temperature accordingly.

Persistent grease fire.	Grease trapped by food buildup around burner system.	Turn knobs to OFF. Turn gas OFF at propane tank. Leave lid in closed position and let fire burn out. After grill cools, remove and clean all parts.
Flashback [fire in burner tubes].	Burner and /or burner tubes are locked.	Clean burner and/or burner tube(s).
Inside of lid is peeling – like paint peeling.	The lid is stainless steel, not painted. Baked on grease buildup has turned to carbon and is flaking off. Clean thoroughly.	Clean thoroughly with a solution of detergent and hot water. Rinse with water and allow to completely dry
Irregular flame.	Air flow is not correct. <u>Correct</u> Flame blue with yellow tips, 1-2" high. <u>Too little air</u> : wavy yellow or orange flames. <u>Too much air</u> : noisy blue flames.	If flames are yellow or orange – open flap at the end of the venturi tubes in 1/8" increments until flames are correct. If flames are blue and noisy – close flap at the end of the venturi tubes in 1/8" increments until flames are correct. *Propane Models must be open a minimum of 1/8" *Natural Gas Models must be open a minimum of 1/16"

Warranty Program

Proof of purchase is required to access this warranty program, which is in effect from the date of purchase. If unable to provide proof of purchase or after the warranty has expired, customers will be subject to parts, shipping and handling fees.

Full 30-Day Warranty

Any missing parts can be replaced at no charge within 30 days from the date of purchase with a valid proof of purchase.

Limited Warranty

1-Year Limited Warranty on all parts in regards to damage affecting the operation of the gas grill.

Warranty Provisions:

- This warranty is non-transferable and does not cover failures due to misuse or improper installation or maintenance.
- This warranty is for replacement of defective parts only. We are not responsible for incidental or consequential damages or labor costs.
- This warranty does not cover chips and scratches of porcelain or painted surfaces, nor does it cover corrosion or discoloration due to misuse, lack of maintenance, hostile environment, accidents, alterations, abuse or neglect.
- This warranty does not cover damage caused by heat, abrasive and chemical cleaners, resulting in chipped porcelain enamel parts or any damage to other components used in the installation or operation of the gas grill.

If unable to provide proof of purchase or after the warranty has expired, customers will be subject to parts, shipping and handling fees.

Some provinces do not allow the limitation or exclusion of incidental or consequential damages, so the above limitations or exclusions may not apply to you. This warranty gives you specific legal rights, and you may also have other rights that vary from province to province.

If you have any questions related to the product or warranty, Please **CALL** our customer service center at 1-888-841-7304 (TOLL-FREE), 07:00 A.M. – 05:00 P.M. (PST), MONDAY-FRIDAY. Or e-mail us atcustomer.service@bondmfg.com. www.bondmfg.com

Manufactured by:
Bond Manufacturing Company
1700 West 4th Street
Antioch, CA 94509

Black & Decker and the Black & Decker logo are trademarks of The Black & Decker Corporation and are used under license. All rights reserved.

Printed in China