

This Owner's Manual is provided and hosted by [Appliance Factory Parts](#).



# Broil King 9765-57 Owner's Manual

[Shop genuine replacement parts for Broil King 9765-57](#)

**Broil King®**

[Find Your Broil King Grill Parts - Select From 1350 Models](#)

----- Manual continues below part list -----

## Available Replacement Parts for Broil King 9765-57

<a href="#">PF2011-29</a>	PUSH BUTTON IGNITER, 4 WIRE
<a href="#">11051</a>	burner, Read Ext info please...
<a href="#">99041</a>	heat plate, ss, 17.5625 x 6.3125
<a href="#">67845</a>	grid, ci, 19.1875 x 30.3125; Master Forg
<a href="#">00475</a>	heat indicator
<a href="#">04831</a>	ELECTRODE WITH WIRE

# Broil King®

## REDDI-BILT BARBECUES

ASSEMBLY MANUAL & PARTS LIST

MANUEL DE MONTAGE & LISTE DE PIÈCES



### Broil King®

REGAL 20  
9765-54  
9765-57

RETAIN FOR FUTURE REFERENCE

VEUILLEZ CONSERVER POUR REFERENCE ULTERIEURE

1-800-265-2150

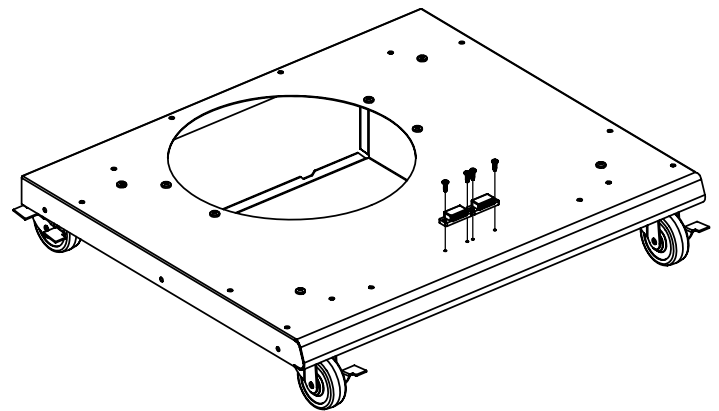
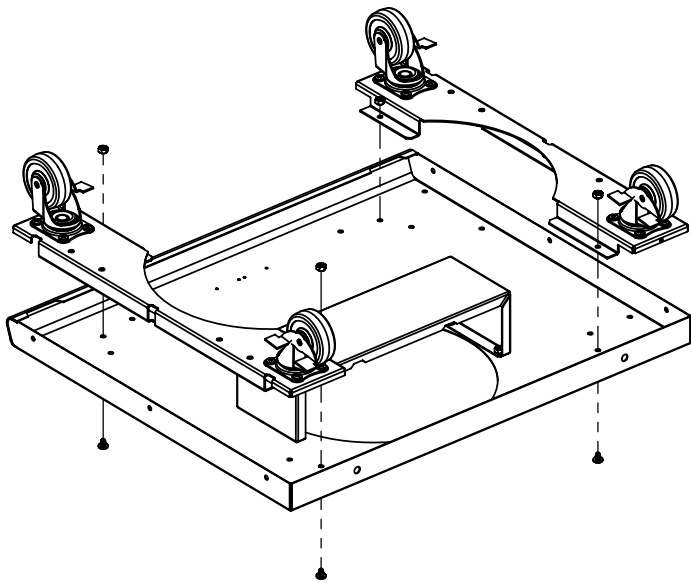
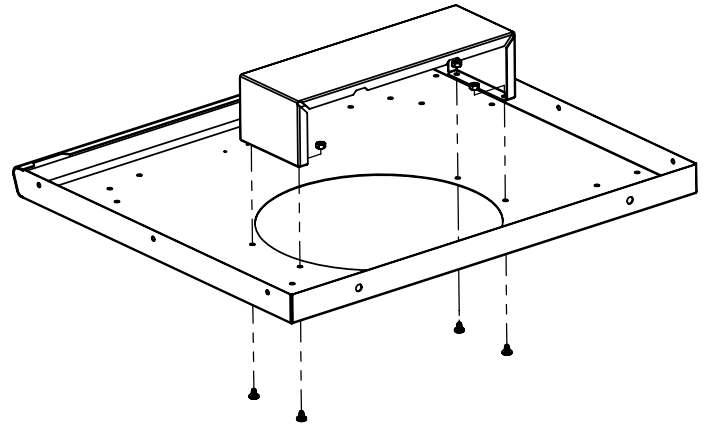
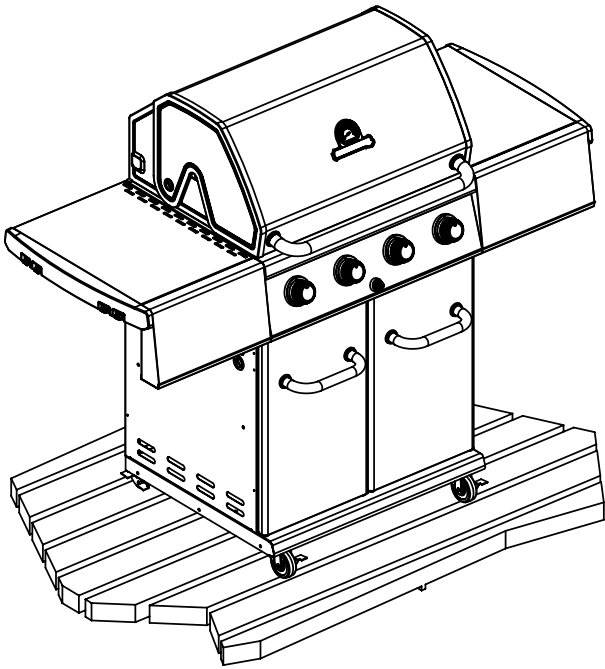
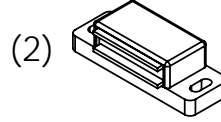
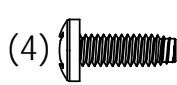
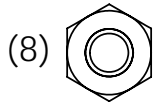
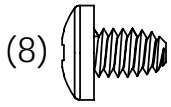
[info@omcbbq.com](mailto:info@omcbbq.com)

*Onward*  
SINCE 1906  
MANUFACTURING COMPANY  
585 KUMPF DRIVE LIMITED  
WATERLOO, ONTARIO, CANADA  
N2V 1K3

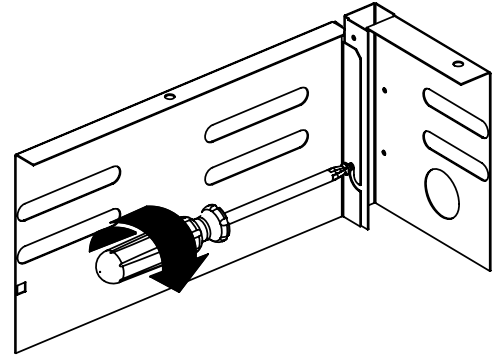
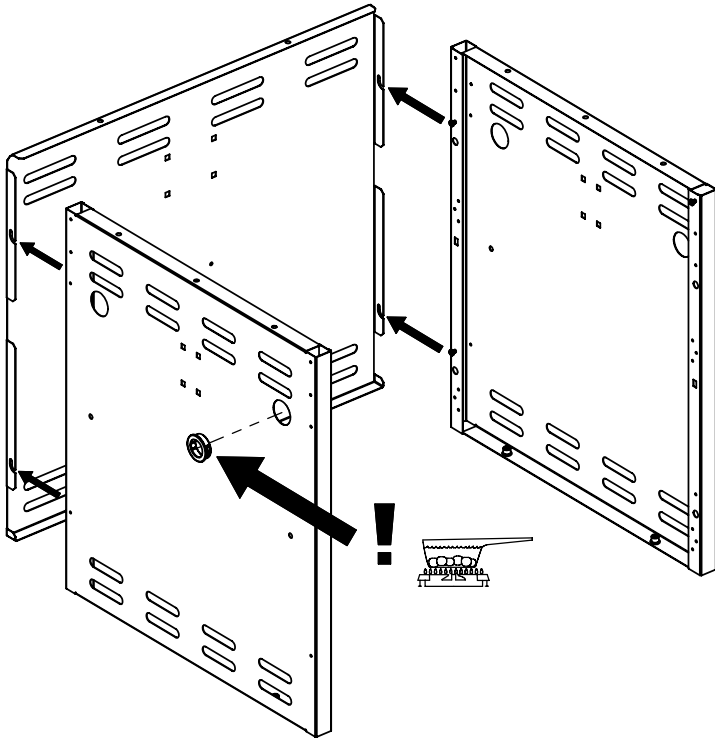
20084-E61 05/09



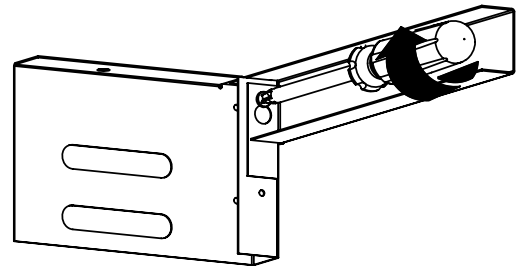
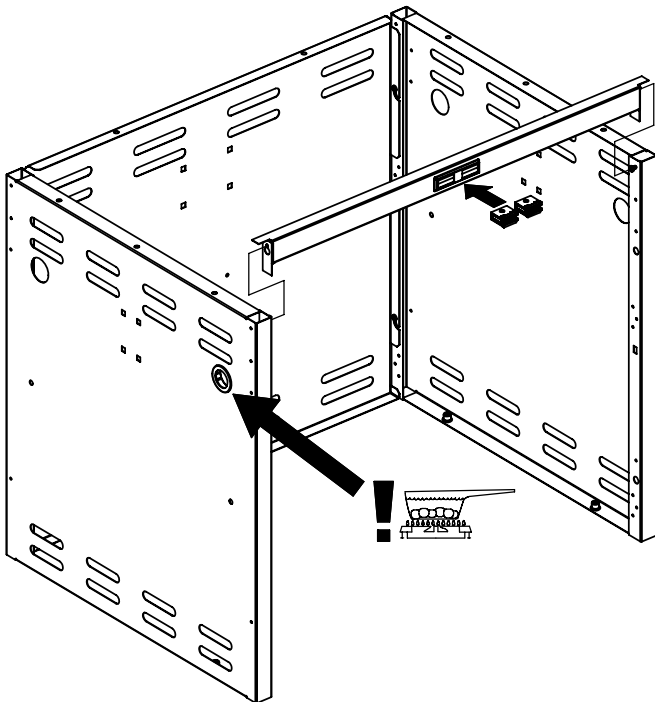
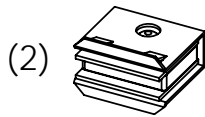
1



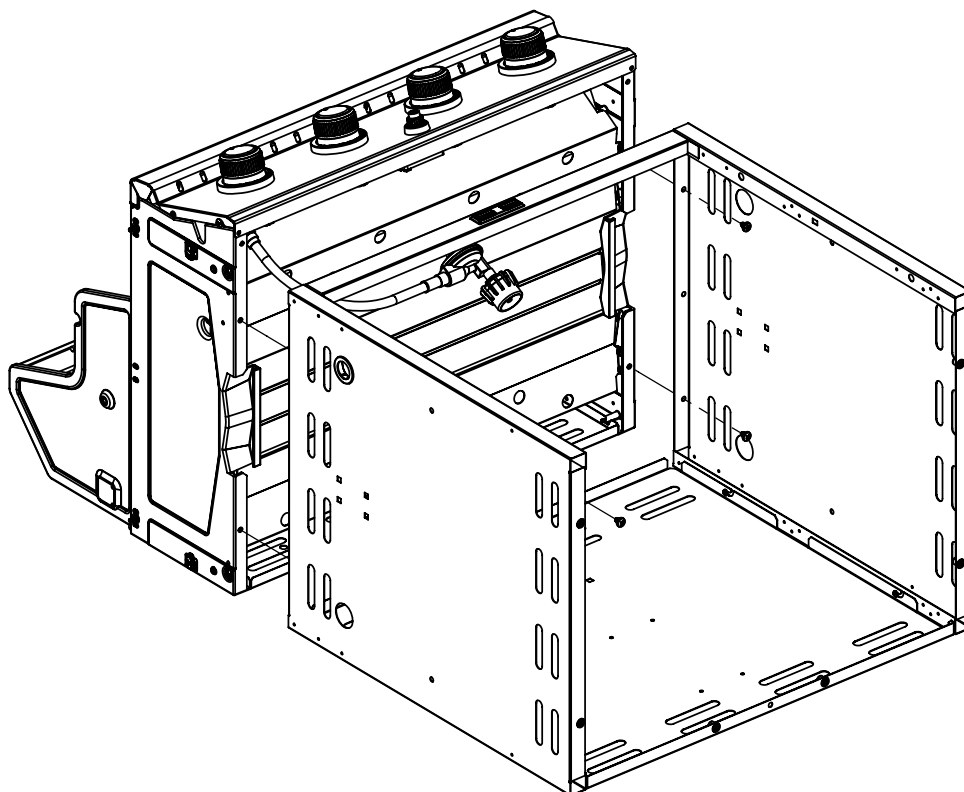
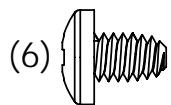
**2**



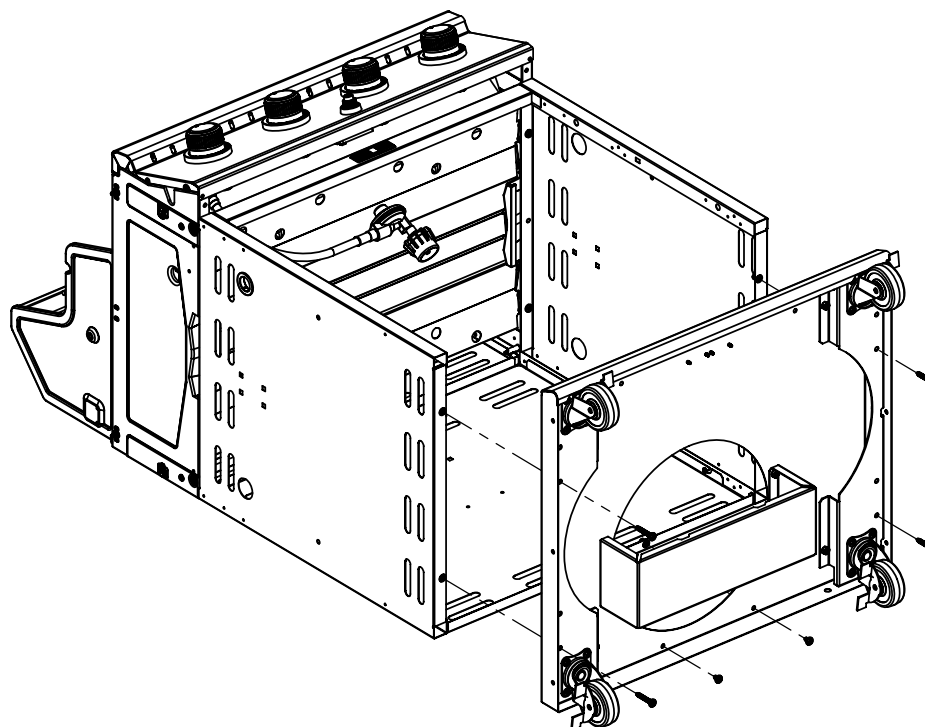
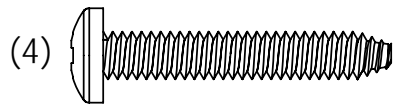
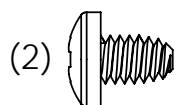
**3**



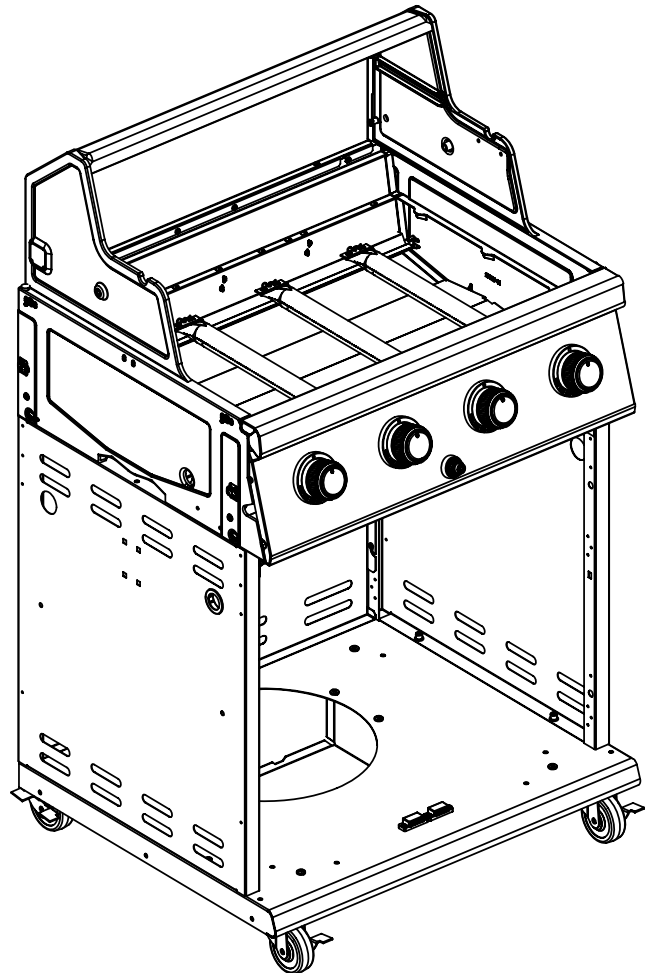
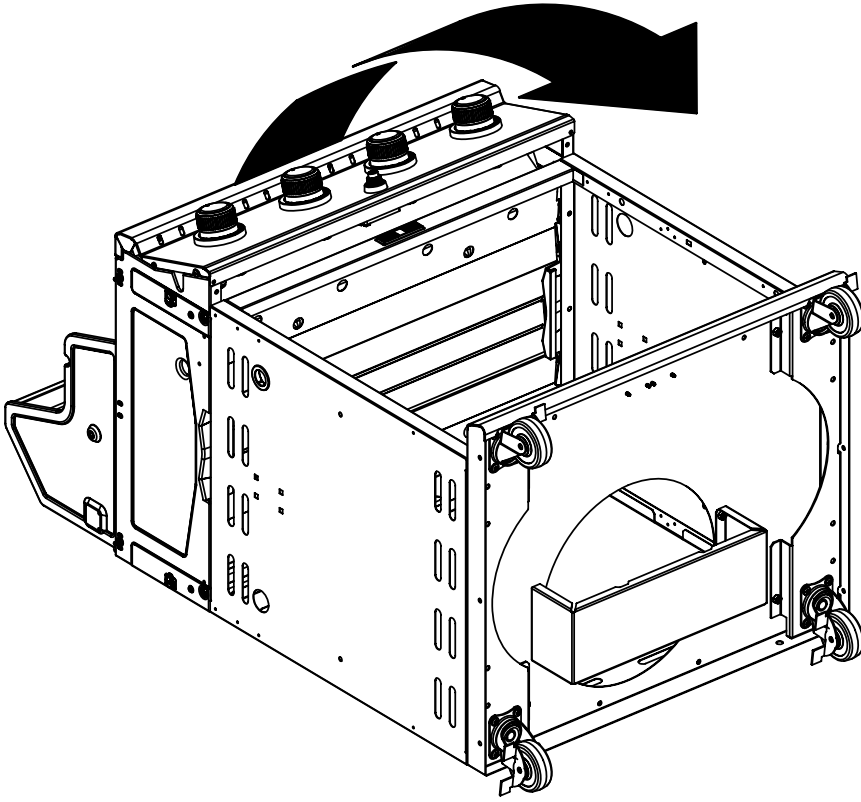
**4**



**5**



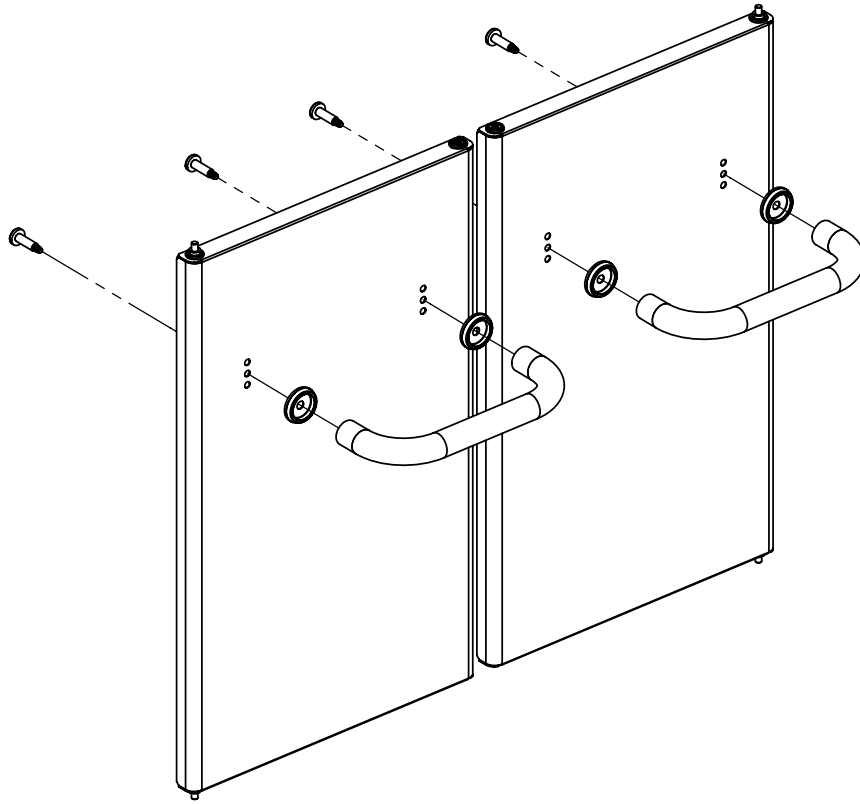
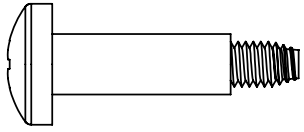
6



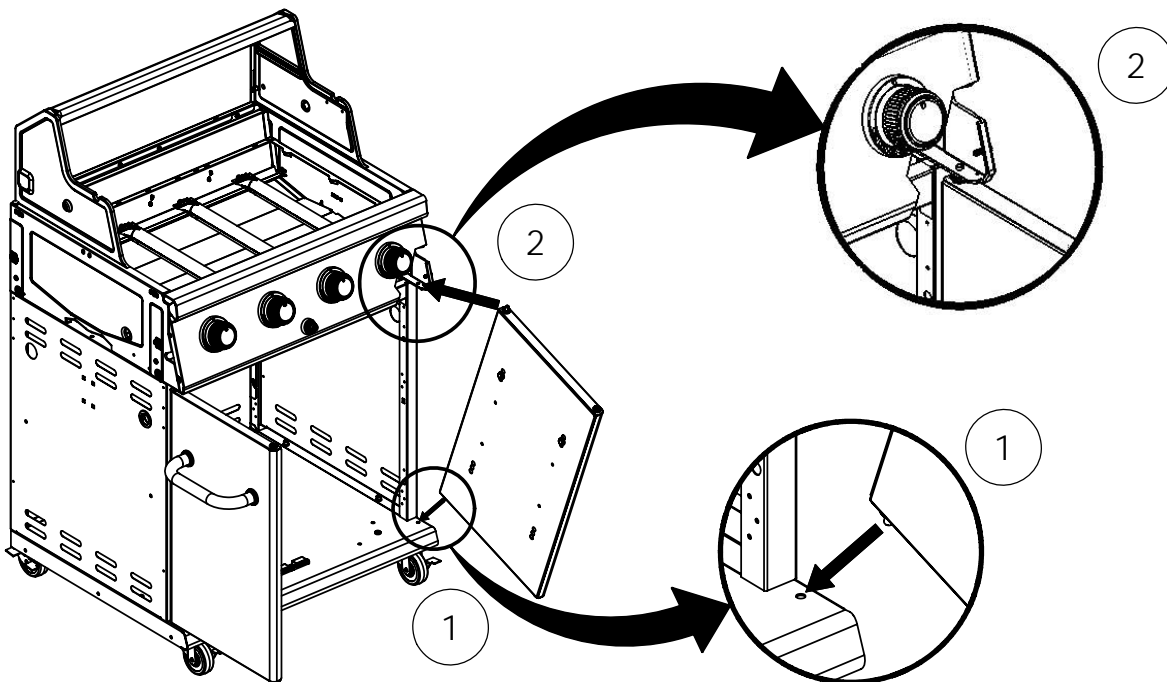


7

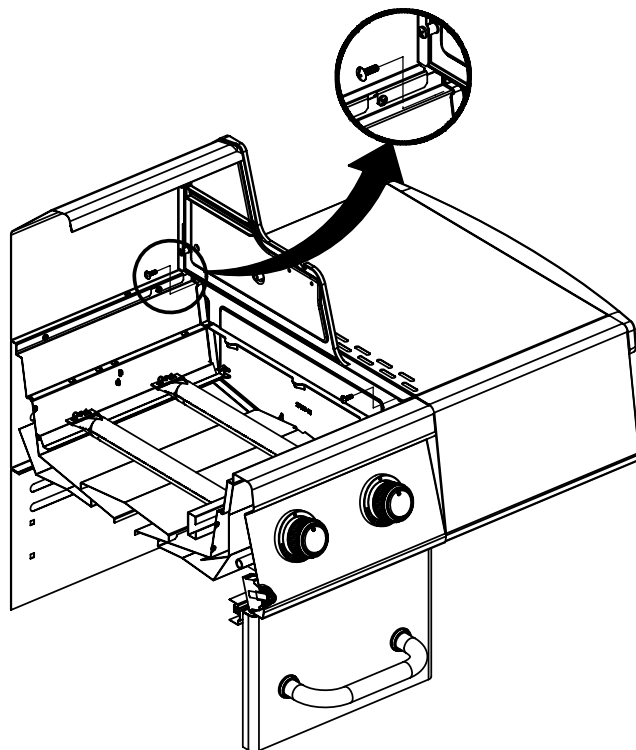
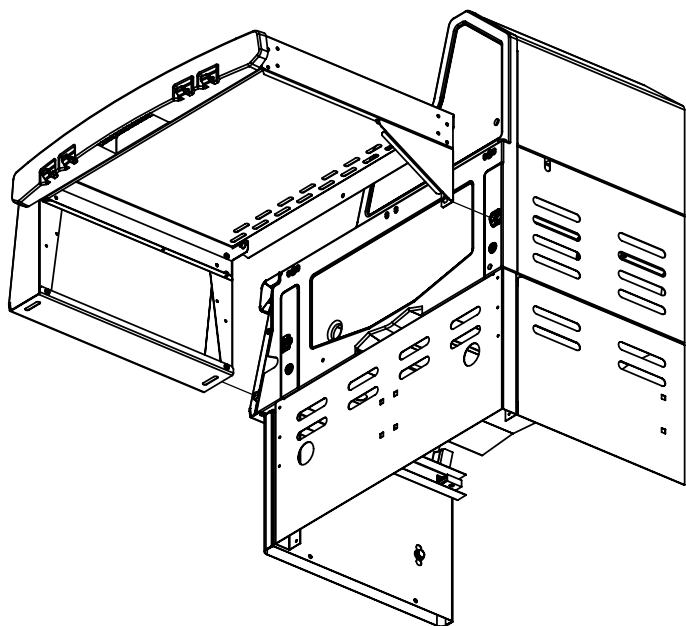
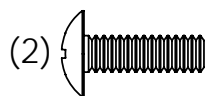
(4)



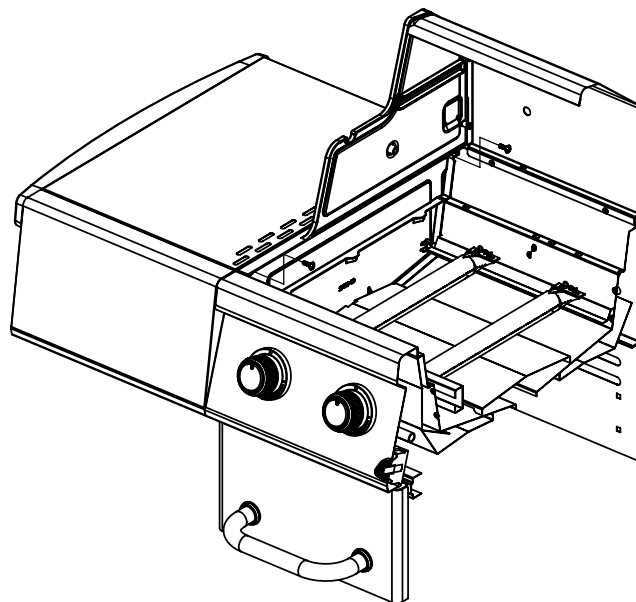
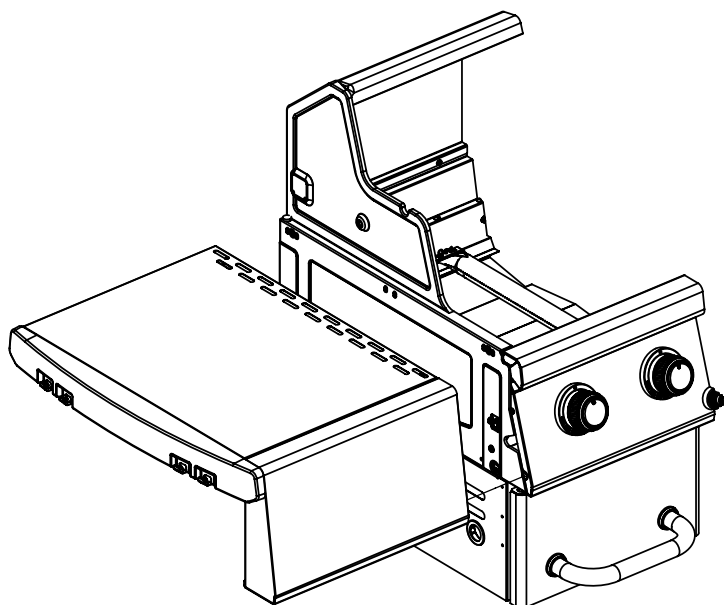
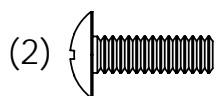
8

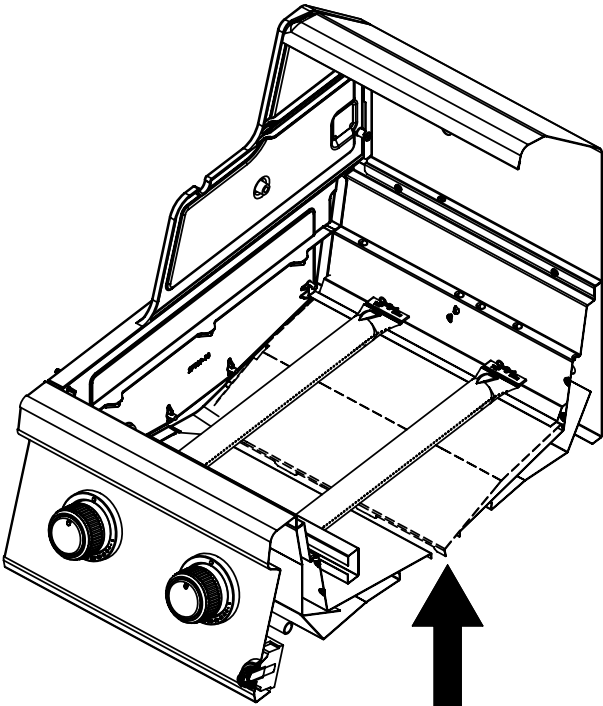


9

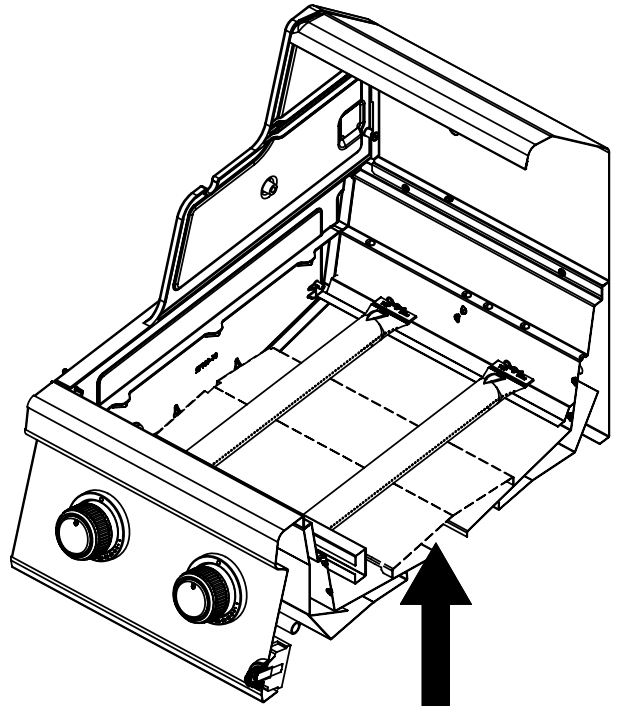


10

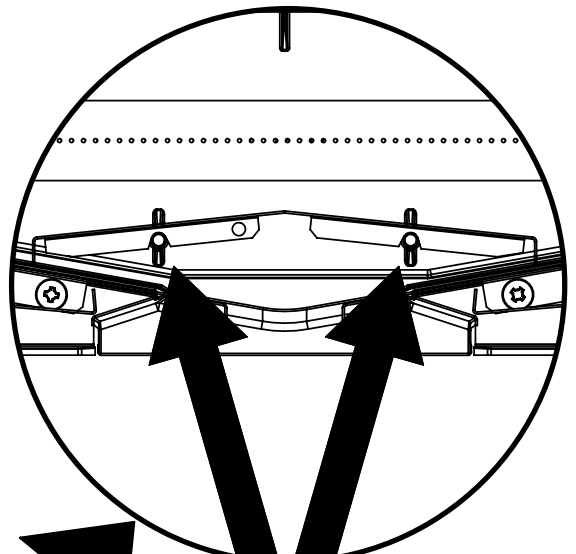
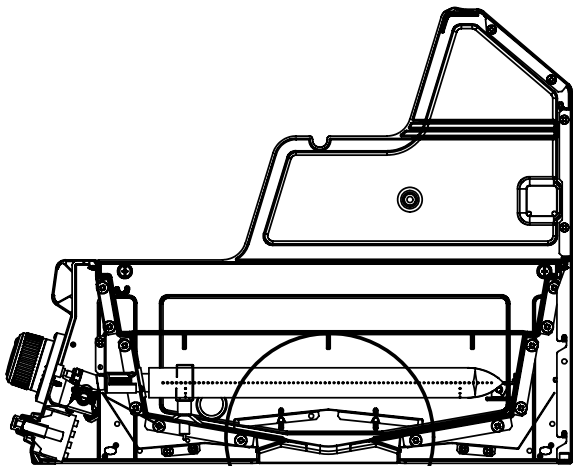




! X

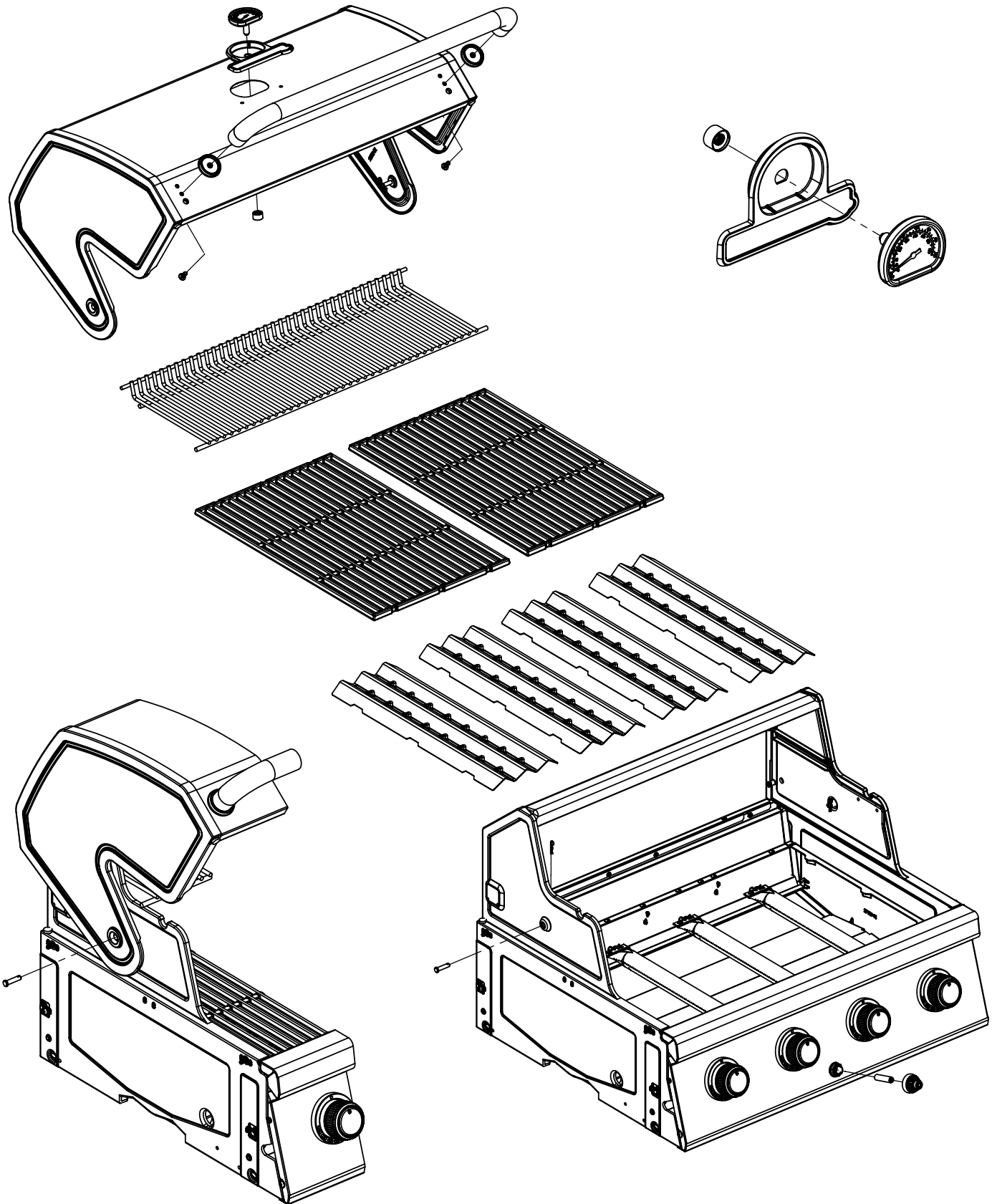
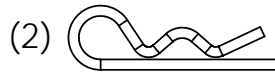
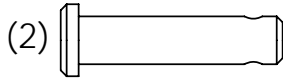
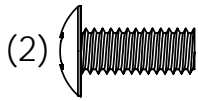


! ✓

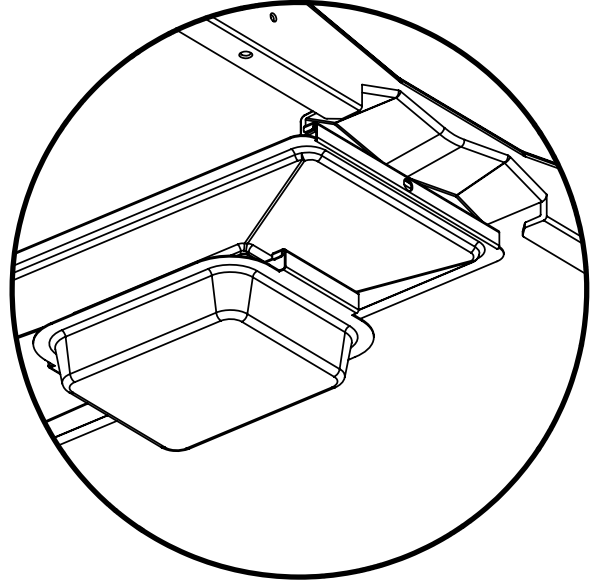
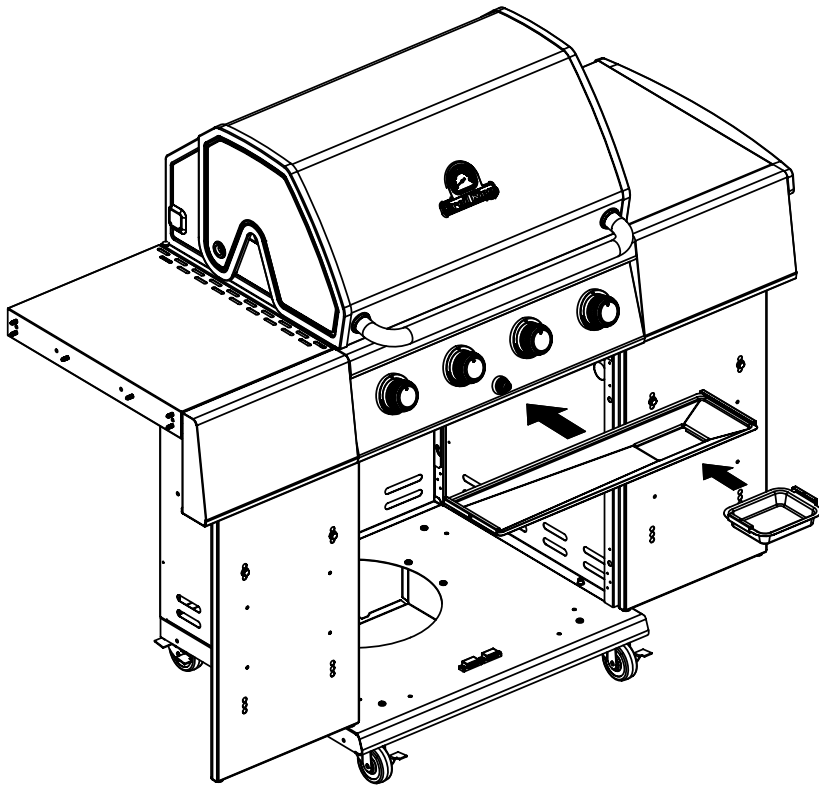


! ✓

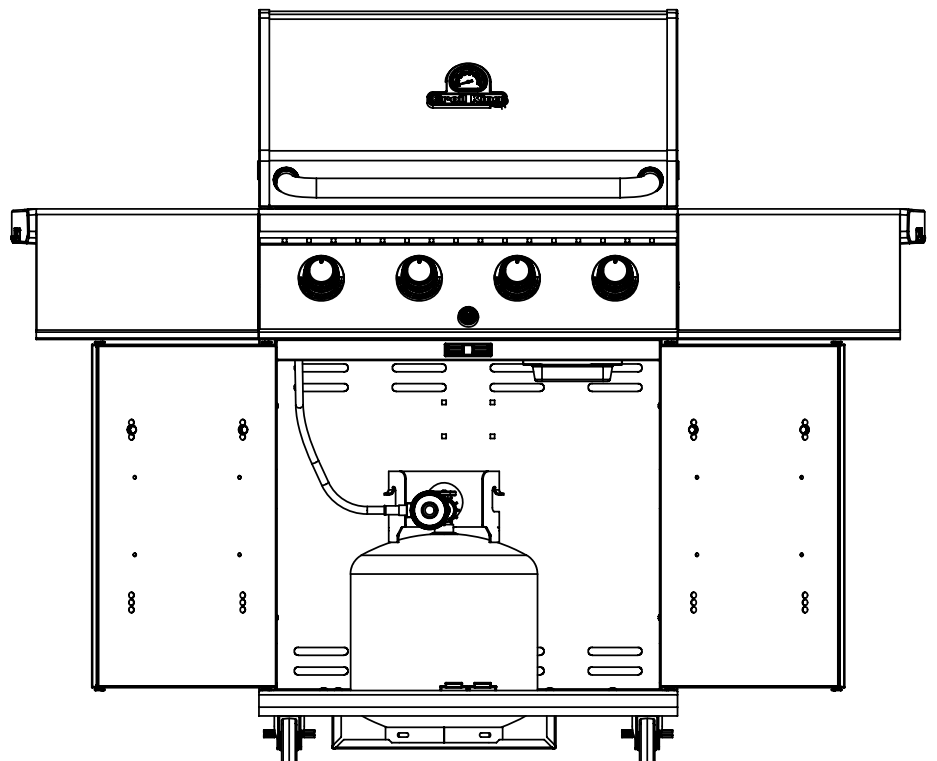
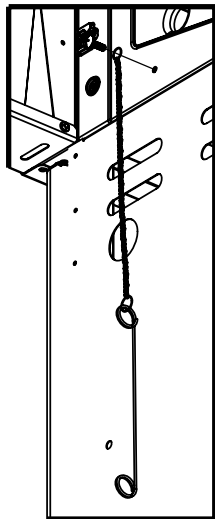
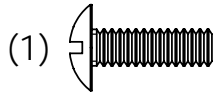
12



13



14



**PARTS LIST / LISTE DES PIECES**

<u>KEY #</u>	<u>ITEM #</u>	<u>DESCRIPTION</u>	<u>DESCRIPTION</u>	<u>9765-54</u>	<u>9765-57</u>
1	27109-131	PANEL - SIDE LEFT	PANNEAU - CÔTE GAUCHE	1	1
2	27109-111	PANEL - SIDE RIGHT	PANNEAU - CÔTE DROITE	1	1
3	27205-014	PANEL - FRONT INNER	PANNEAU FRONTAL ARRIERE	1	1
4	27205-924	PANEL - INNER REAR	PANNEAU INTERIEUR ARRIERE	1	1
5	27245-904	GREASE SHIELD	PROTECTION CONTRE LA GRAISSE	1	1
6	27005-91	HEAT SHIELD	PROTECTION CONTRE LA CHALEUR	3	3
7	27235-024	COLLECTOR BOX REAR - LOWER	RECIPIENT ARRIERE - INFERIEUR	1	1
10	22305-024	PANEL - REAR COOKBOX	PANNEAU - RECIPIENT	1	1
12	22315-024	PANEL - HOOD	PANNEAU DE LA CUVE	1	1
18	22005-181	GRID - PORCELAIN	GRILLE EN PORCELAINE	2	2
20	22005-991	GRID - WARMING RACK	GRILLE - MAINTIEN AU CHAUD	1	1
22	22225-014	COLLECTOR BOX - FRONT LOWER	RECIPIENT - FRONTAL INFERIEUR	1	1
24	22215-014	COLLECTOR BOX - FRONT UPPER	RECIPIENT - FRONTAL SUPERIEUR	1	1
25	22909-104LP	BURNER	BRÛLEUR	4	
	22909-104NG	BURNER	BRÛLEUR		4
26	22001-768	CONTROL KNOB	BOUTON DE CONTROLE	4	4
27	22002-268	CONTROL BEZEL	MONTURE DE CONTROLE	4	4
28	22005-414	CONTROL COVER	PANNEAU DE CONTROLE	1	1
35	29005-014	CONTROL ASSEMBLY	SOUPAPE	1	
	29005-017	CONTROL ASSEMBLY	SOUPAPE		1
40	10114-20	HOSE & REGULATOR	TUYAU ET REGULATEUR PL	1	
	10111-K45	HOSE NATURAL GAS	TUYAU (GAZ NAUTREL)		1
43	10342-E12	ELECTRODE	ELECTRODE	2	2
44	10342-245	ELECTRONIC IGNITOR	ALLUMAGE ÉLECTRONIQUE	1	1
45	20472-S39	IGNITOR CAP	EMBOUT D'ALLUMAGE	1	1
48	22009-901	GREASE PAN	CUVETTE A GRAISSE	1	1
49	22055-901	GREASE TRAY	PLATEAU A GRAISSE	1	1
51	22209-904	FLAV-R-WAVE ®	FLAV-R-WAVE ®	4	4
52	26101-331	SIDE PANEL - CRESENT LEFT	PANNEAU LATERAL - GAUCHE	1	1
53	26101-311	SIDE PANEL - CRESENT RIGHT	PANNEAU LATERAL - DROITE	1	1
54	26305-302	LID - OUTER PANEL	COUVERCLE - PANNEAU EXTERIEUR	1	1
55	26205-904	LID - INNER PANEL	COUVERCLE - PANNEAU INTERIEUR	1	1
57	24005-12A	HANDLE	POIGNÉE	1	1
58	24009-936	HANDLE RING	POIGNEE ANNEAU	2	2
59	10081-BK603	NAMEPLATE	PLAQUE D'IDENTIFICATION	1	1
60	10571-6	HEAT INDICATOR	INDICATEUR DE CHALEUR	1	1
65	C12505	MATCH LIGHT - STICK	ALLUMETTES	1	1
67	C12504	MATCH LIGHT - CHAIN	ALLUMETTES	1	1
68	21378-115	DOOR	PORTE	2	2
69	21275-105	DOOR - INNER	PORTE INTÉRIEURE	2	2
70	21070-13	HANDLE BEZEL	MONTURE DE POIGNEE	4	4
71	21071-13	HANDLE - SMALL	PETITE POIGNEE	2	2
78	21075-905	BRACKET - DOOR CATCH	PARENTHÈSE - CROCHET DE PORTE	1	1
80	21109-905	SIDE PANEL	PANNEAU LATÉRALE	2	2
88	21305-925	PANEL - REAR	PANNEAU - ARRIÈRE	1	1
90	21095-435	BASE	TABLETTE INFERIEURE	1	1
100	21039-905	BRACKET - CASTOR SUPPORT	SUPPORT DE ROULLETTE	2	2
101	21039-305	LOWER TANK SUPPORT	SUPPORT DU RÉSERVOIR INFÉRIEUR	1	1

**PARTS LIST / LISTE DES PIECES**

<u>KEY #</u>	<u>ITEM #</u>	<u>DESCRIPTION</u>	<u>DESCRIPTION</u>	<u>9765-54</u>	<u>9765-57</u>
102	10892-25	CASTOR	ROULETTES	4	4
114	23100-115	SHELF	PLANCHETTE LATERALE	2	2
116	23501-414	SHELF FRONT - RIGHT	PLANCHETTE FRONTALE - DROITE	1	1
117	23501-434	SHELF FRONT - LEFT	PLANCHETTE FRONTALE - GAUCHE	1	1
118	23030-215	SUPPORT-SIDE SHELF-RIGHT	SUPPORT TABLETTE DE DROIT	1	1
119	23030-235	SUPPORT-SIDE SHELF-LEFT	SUPPORT TABLETTE DE GAUCHE	1	1
120	23101-409	SHELF END CAP	PROTECTION POUR BORD PLANCHETTE	2	2
140	S21125	SCREW #8 X 1/2	VIS #8 X 1/2	30	30
141	Y-11569	SCREW M6 X 15	VIS M6 X 15	2	2
143	Y-12855	BOLT 1/4-20 X 3/8	BOULON 1/4-20 X 3/8	70	70
145	S21235	HINGE PIN	GOUPILLE DE CHARNIÈRE	2	2
146	S21233	HITCH PIN CLIP	ATTACHE DE CHEVILLE	6	6
147	Y-11231	LID BUMPER	BUTOIR DU COUVERCLE	4	4
148	Y-12120	DOOR PLUG	PRISE DE LA PORTE	8	8
149	10240-16	DOOR PIN	GOUPILLE DE LA PORTE	4	4
150	S21363	SPRING	RESSORT	4	4
151	Y-11567	SCREW M8 SHOULDER	VIS M8 SHOULDER	4	4
152	Y-12222	MAGNET	AIMANT	2	2
153	Y-12223	SNAP IN MAGNET	AIMANT	2	2
154	Y-11560	SCREW 1/4-20 X 1-1/2	VIS 1/4-20 X 1-1/2	4	4
155	S21124	SCREW #8 X 1/2	VIS #8 X 1/2	14	14
156	Y-11793	NUT 1/4-20	ECROU 1/4-20	8	8
160	Y-29304	BOLT #10-24 X 3/8	BOULON #10-24 X 3/8	22	22
163	S35094	SCREW #10-24 X 5/8	VIS #10-24 X 5/8	9	9
164	S21084	SCREW #14 X 5/8	VIS #14 X 5/8	12	12
165	Y-12121	DOOR CAP	CACHE PORTE	4	4
165A	Y-12123	DOOR CAP	CACHE PORTE	4	4

