

This Owner's Manual is provided and hosted by [Appliance Factory Parts](#).



Broil King 9868-84 Owner's Manual

[Shop genuine replacement parts for Broil King 9868-84](#)

Broil King®

[Find Your Broil King Grill Parts - Select From 1350 Models](#)

----- Manual continues below part list -----

Available Replacement Parts for Broil King 9868-84

PF2011-29	PUSH BUTTON IGNITER, 4 WIRE
10342-E400A	COLLECTOR BOX ASSEMBLY
66123	grid, ci, 16.9375 x 24.9375; Kenmore.
11041	burner, pipe, ss, 14.3125 x 1.125
94001	heat plate, ss, 13.75 x 6.25
94031	USE MCM909400114
00475	heat indicator
04831	ELECTRODE WITH WIRE

Broil King®

REDDI-BILT BARBECUES

ASSEMBLY MANUAL & PARTS LIST

MANUEL DE MONTAGE & LISTE DE PIÈCES

Broil King®

9869-54ED
9869-57ED



Broil King®

9869-74ED
9869-77ED



Broil King®

SOVEREIGN 20
9878-14
9878-17



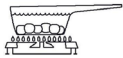
Broil King®

SIGNET 70
9868-74
9878-77
SOVEREIGN 70
9878-34
9878-37



Broil King®

SIGNET 90
9868-84
9868-87
SOVEREIGN 90
9878-44
9878-47



RETAIN FOR FUTURE REFERENCE

VEUILLEZ CONSERVER POUR REFERENCE ULTERIEURE

1-800-265-2150

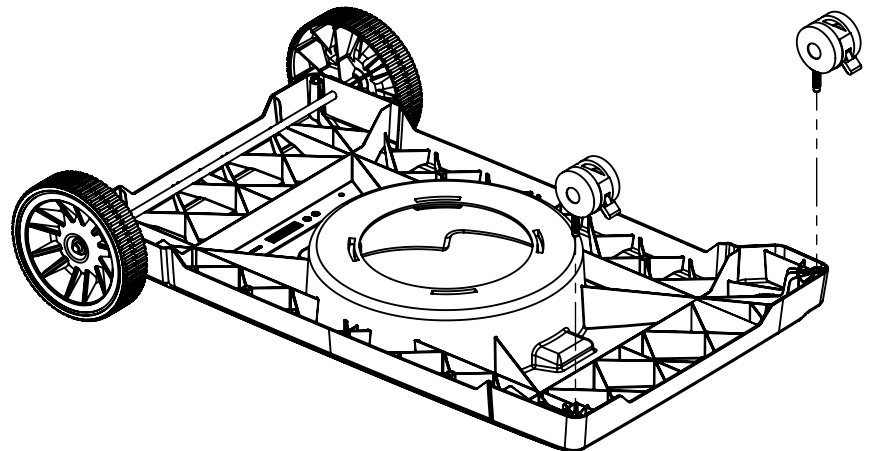
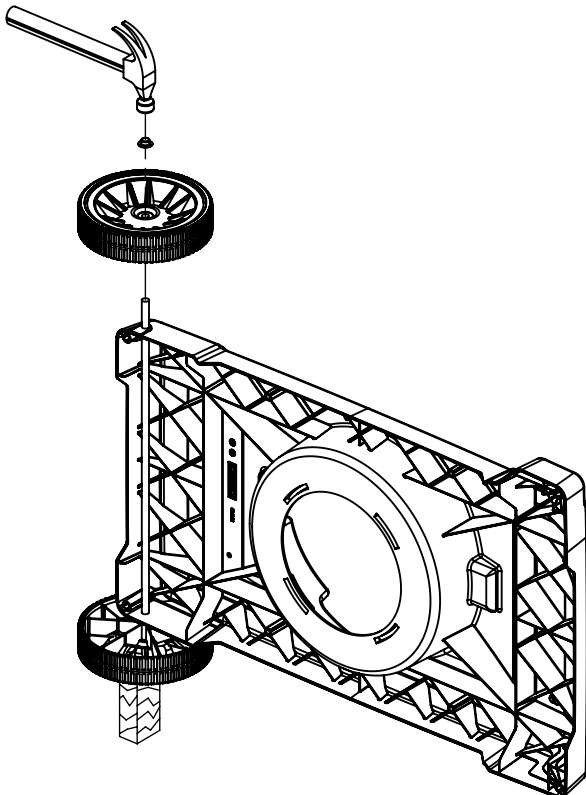
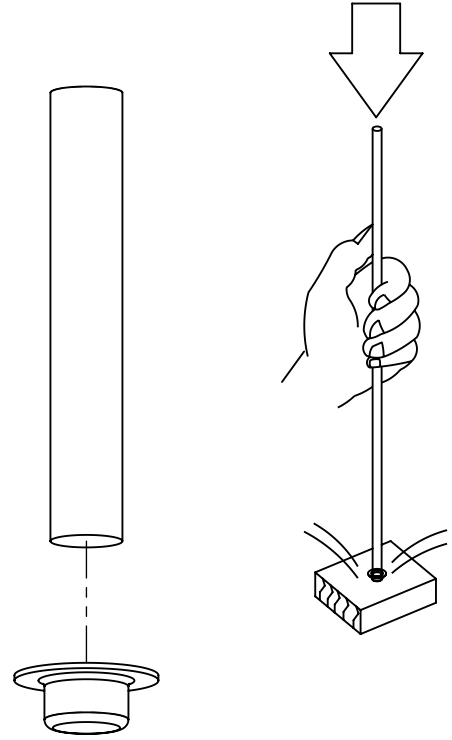
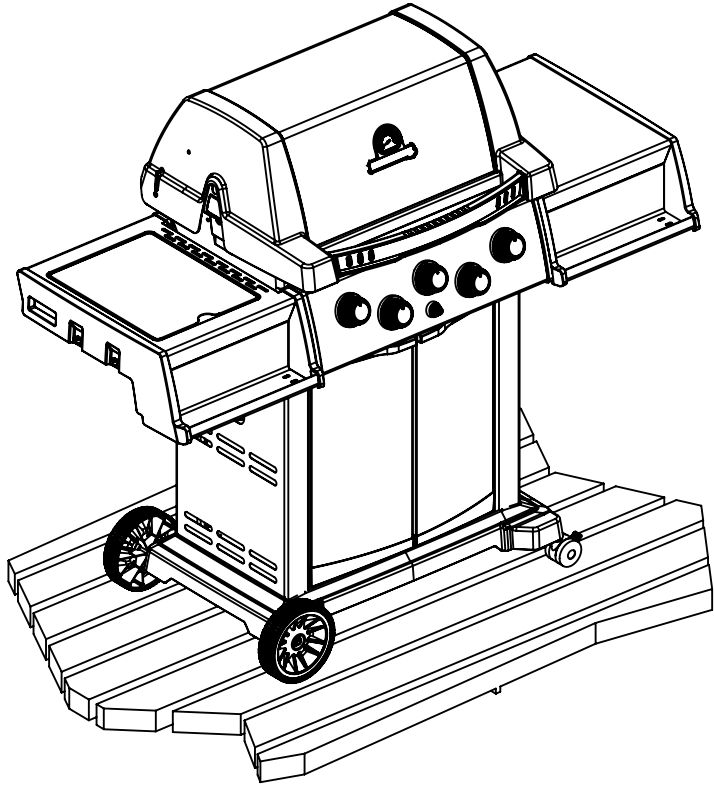
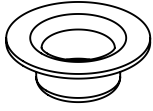
info@omcbbq.com

Onward
SINCE 1906
MANUFACTURING COMPANY LIMITED
585 KUMPF DRIVE
WATERLOO, ONTARIO, CANADA
N2V 1K3

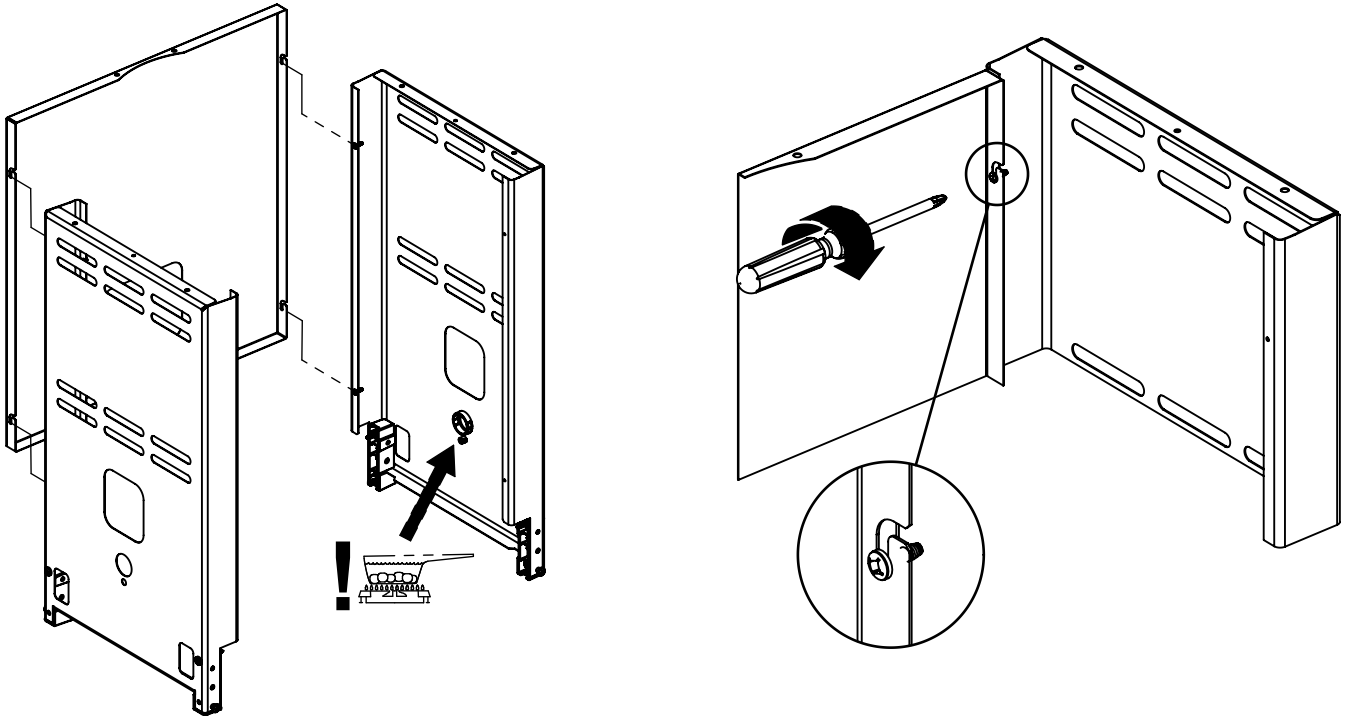
10084-E42 REV C 11/12

1

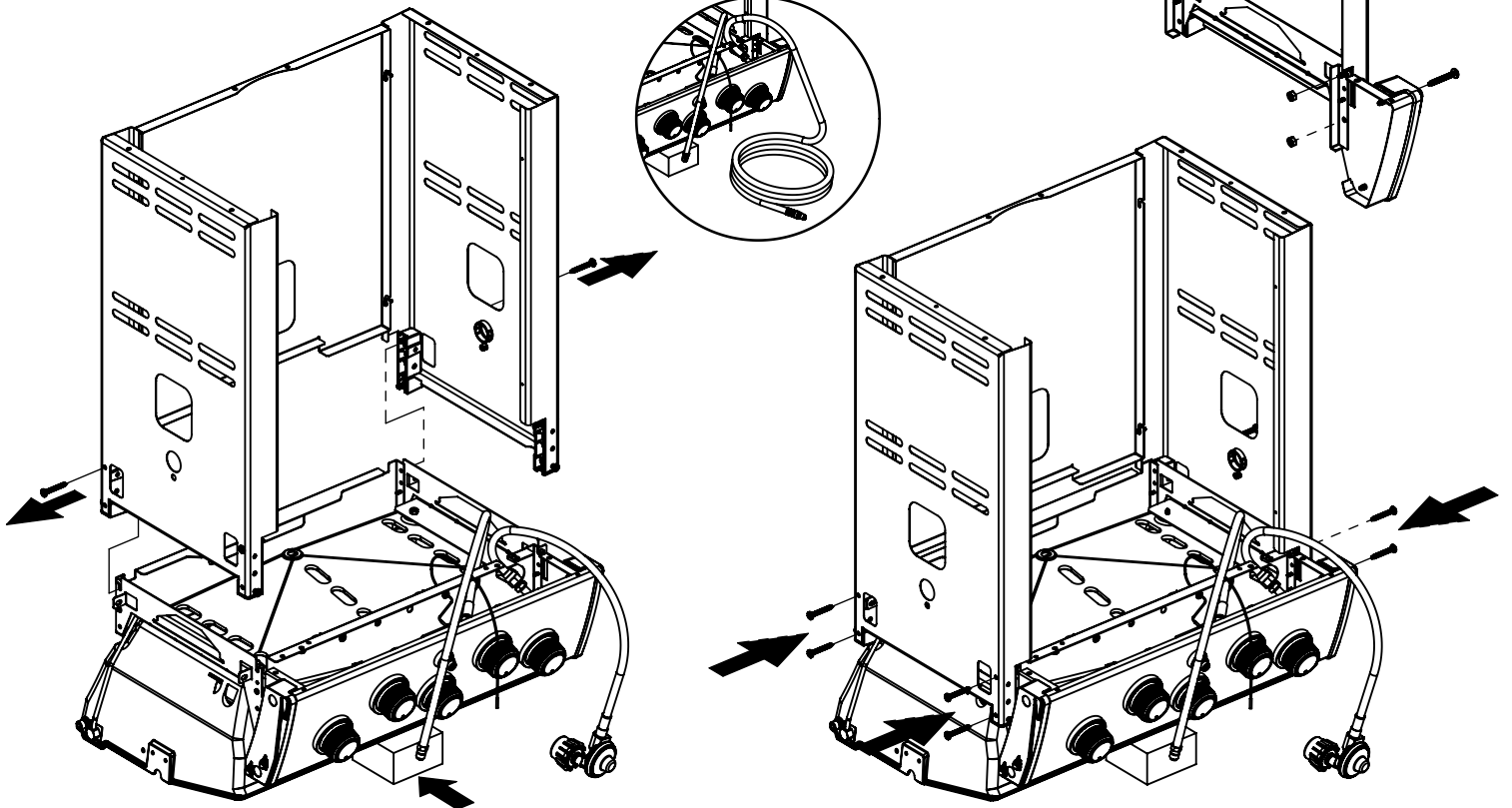
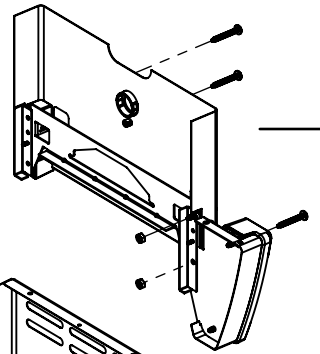
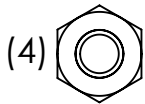
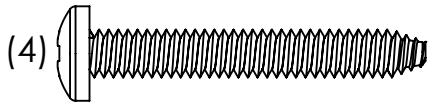
(2)



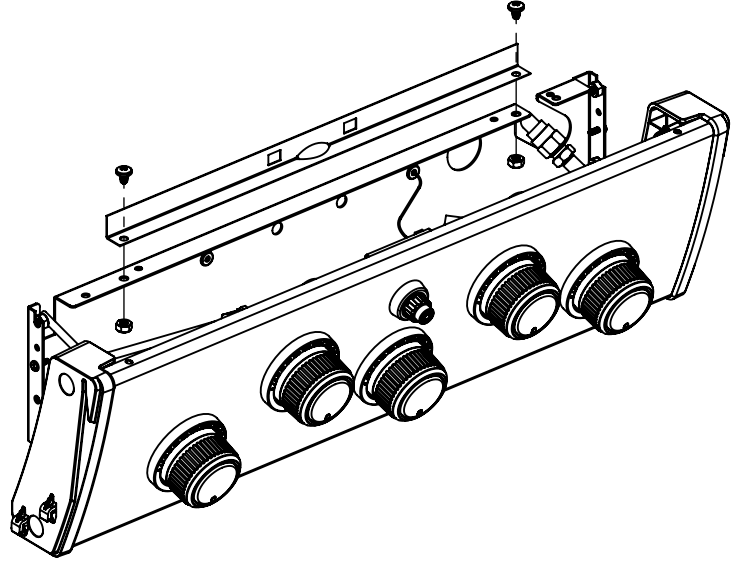
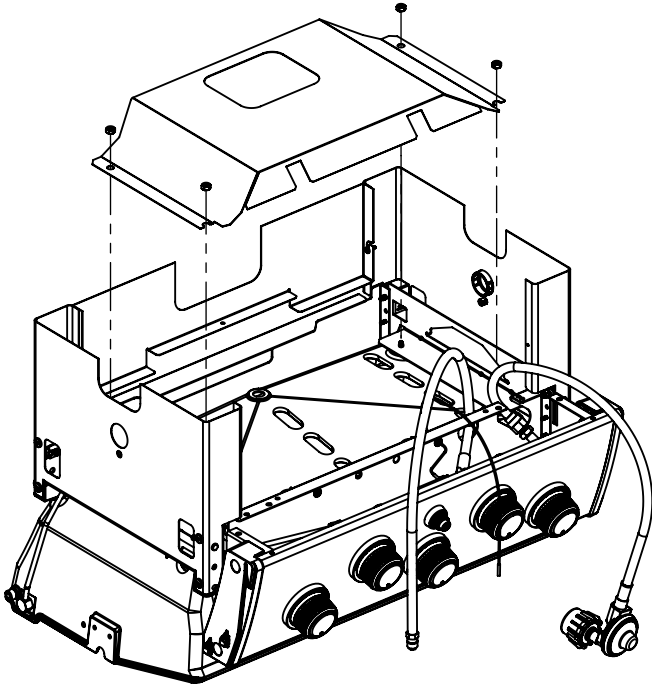
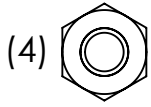
2



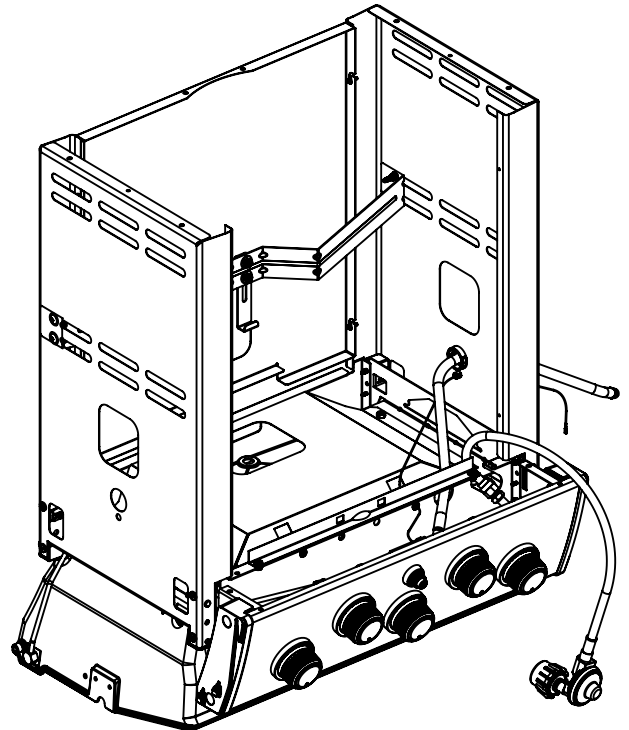
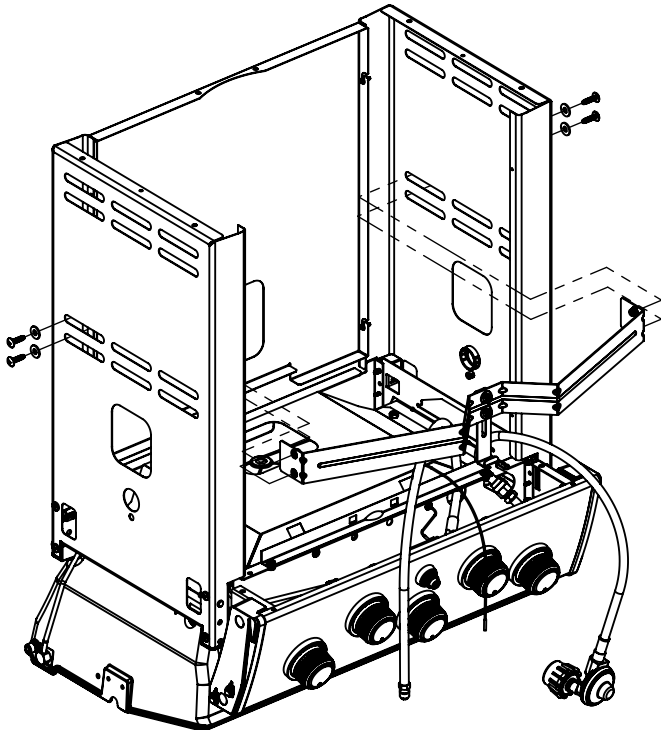
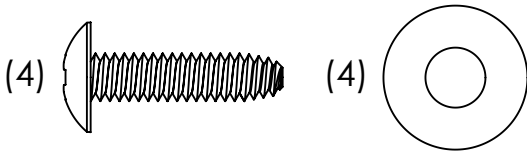
3



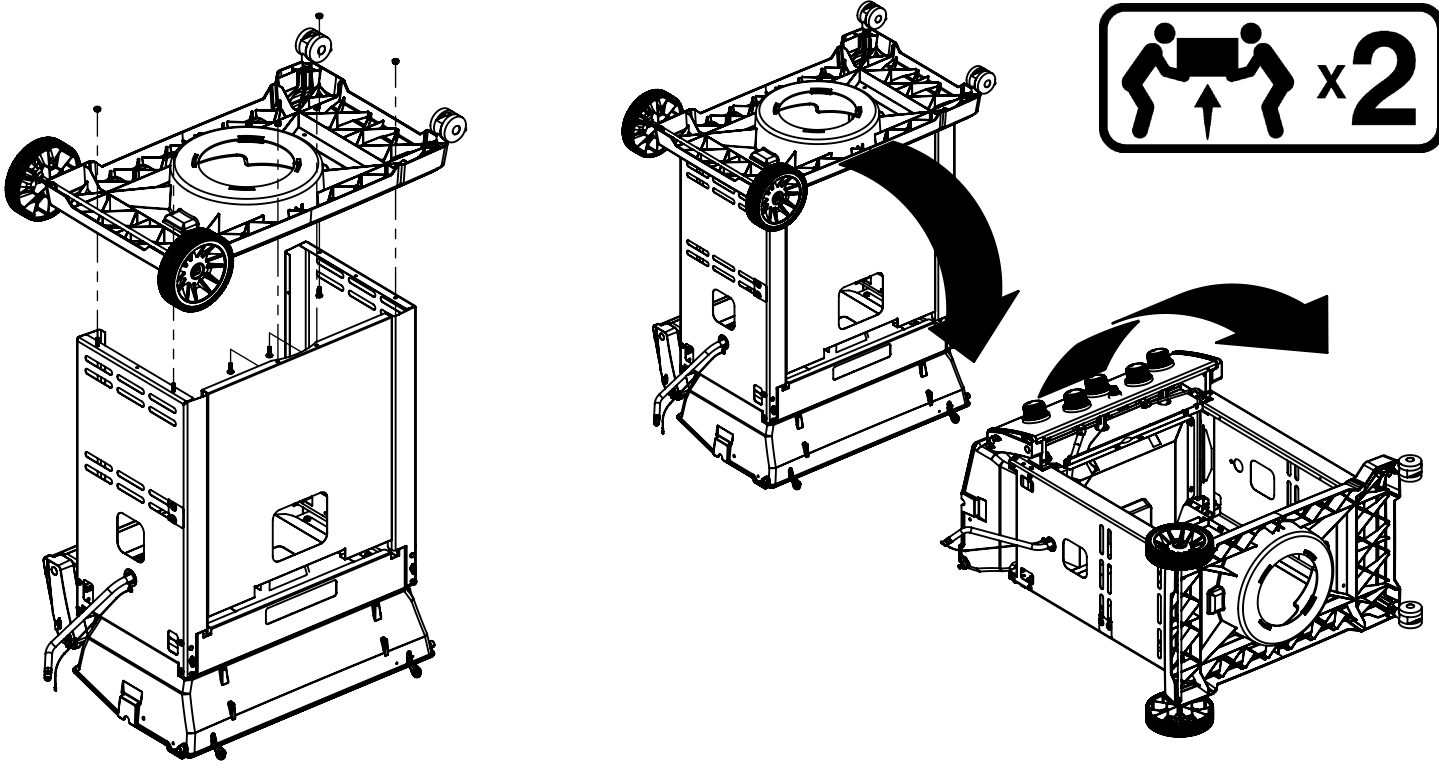
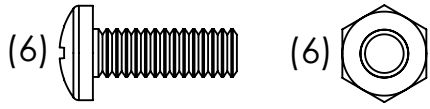
4



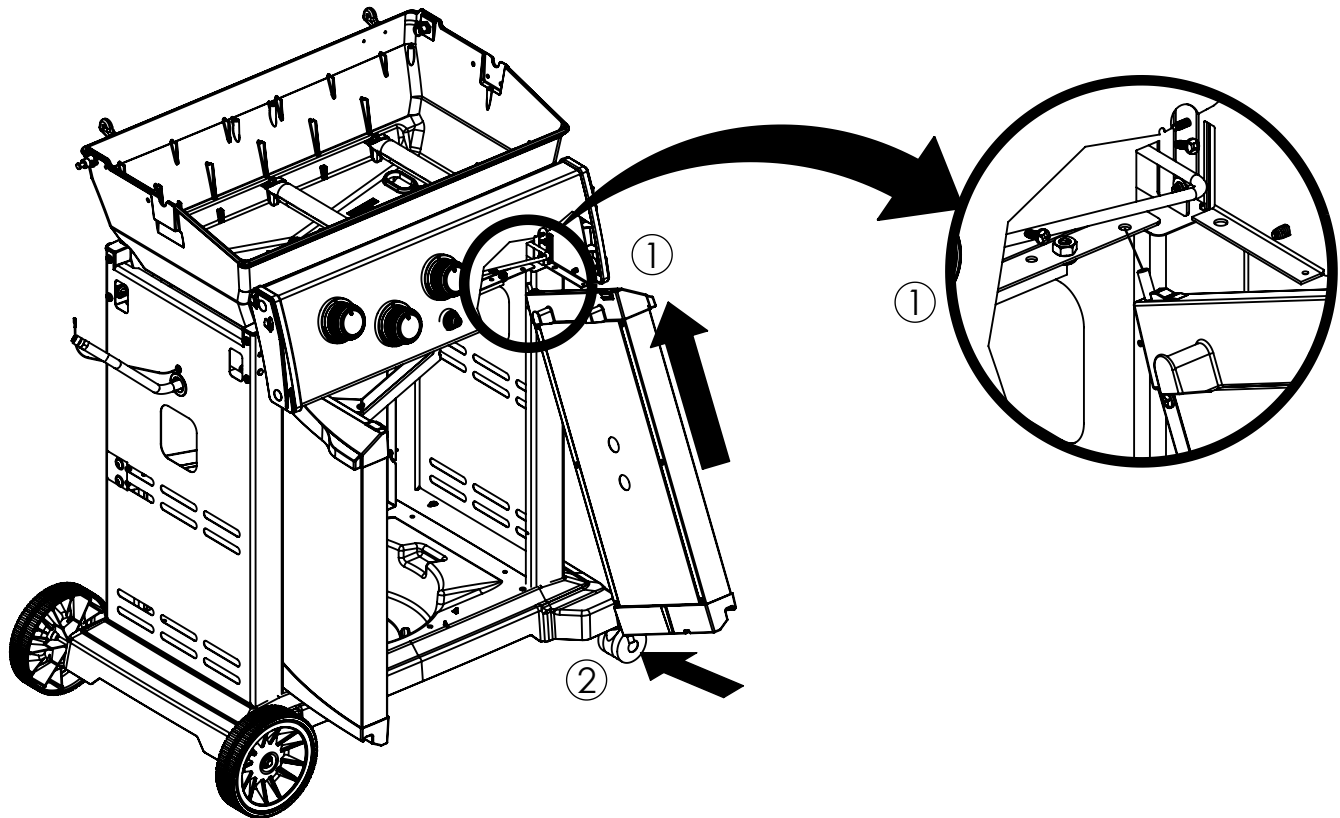
5



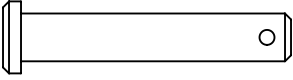
6

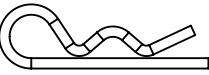


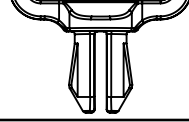
7

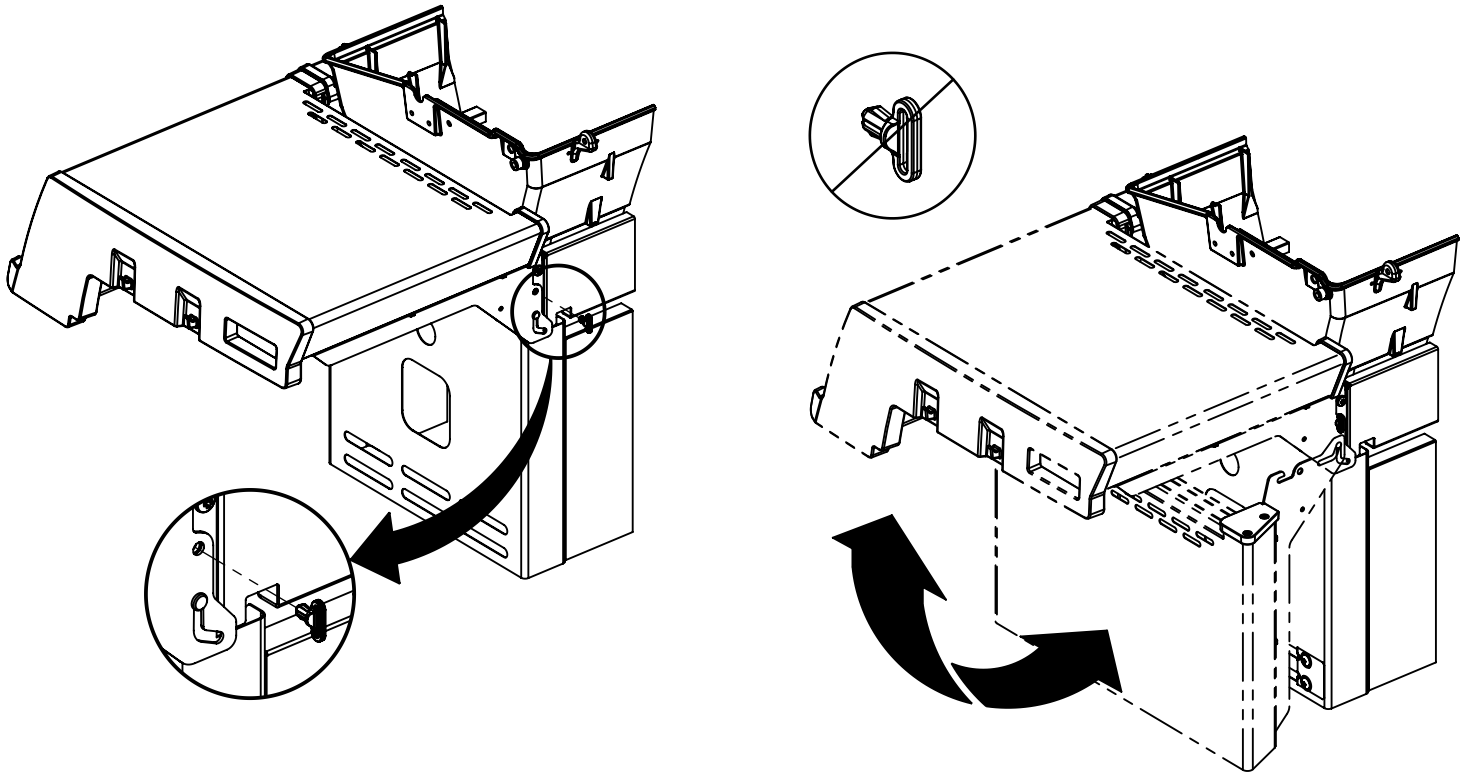
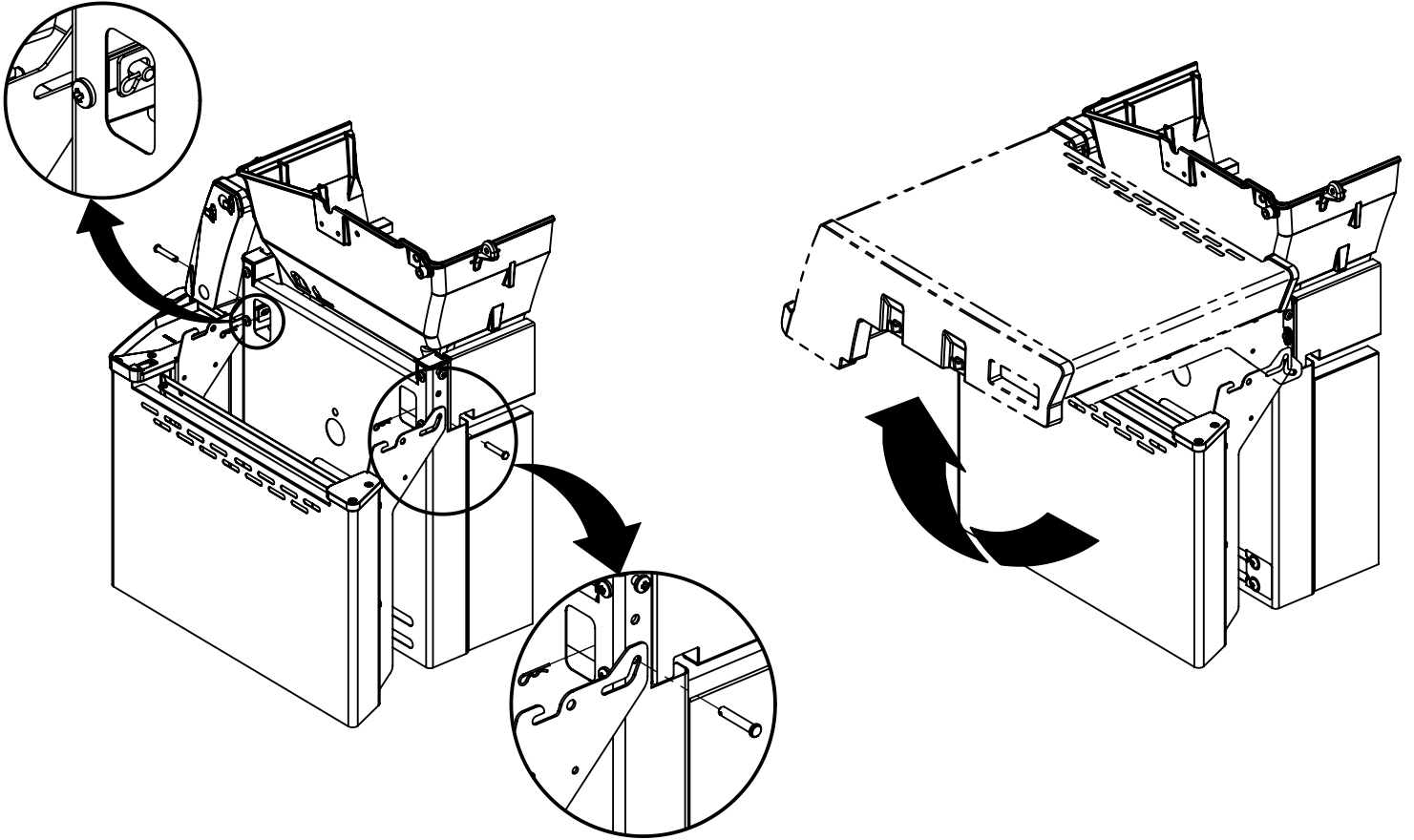


8

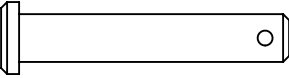
(2) 

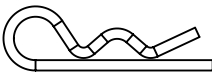
(2) 

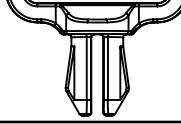
(1) 

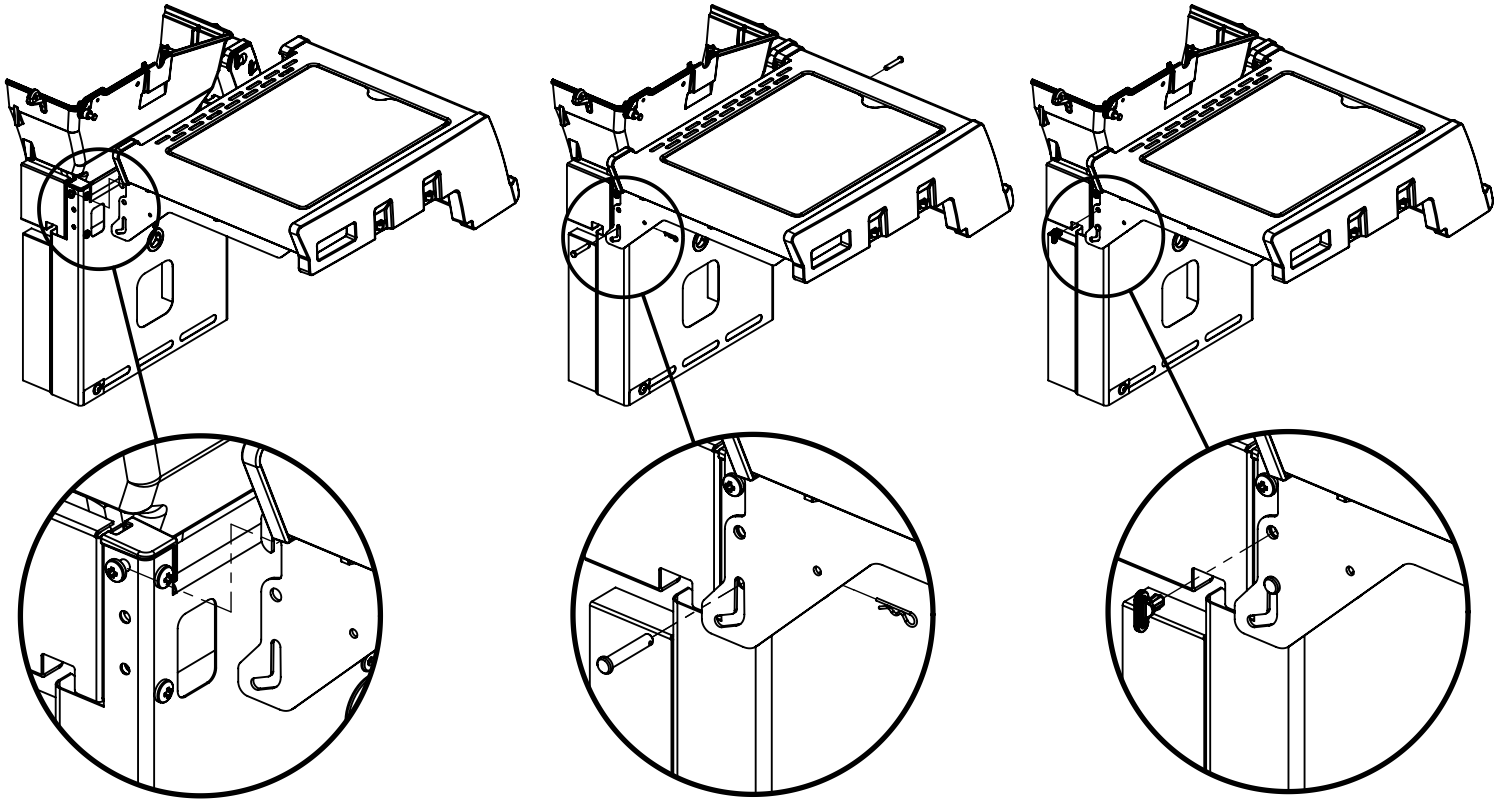


9

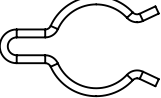
(2) 

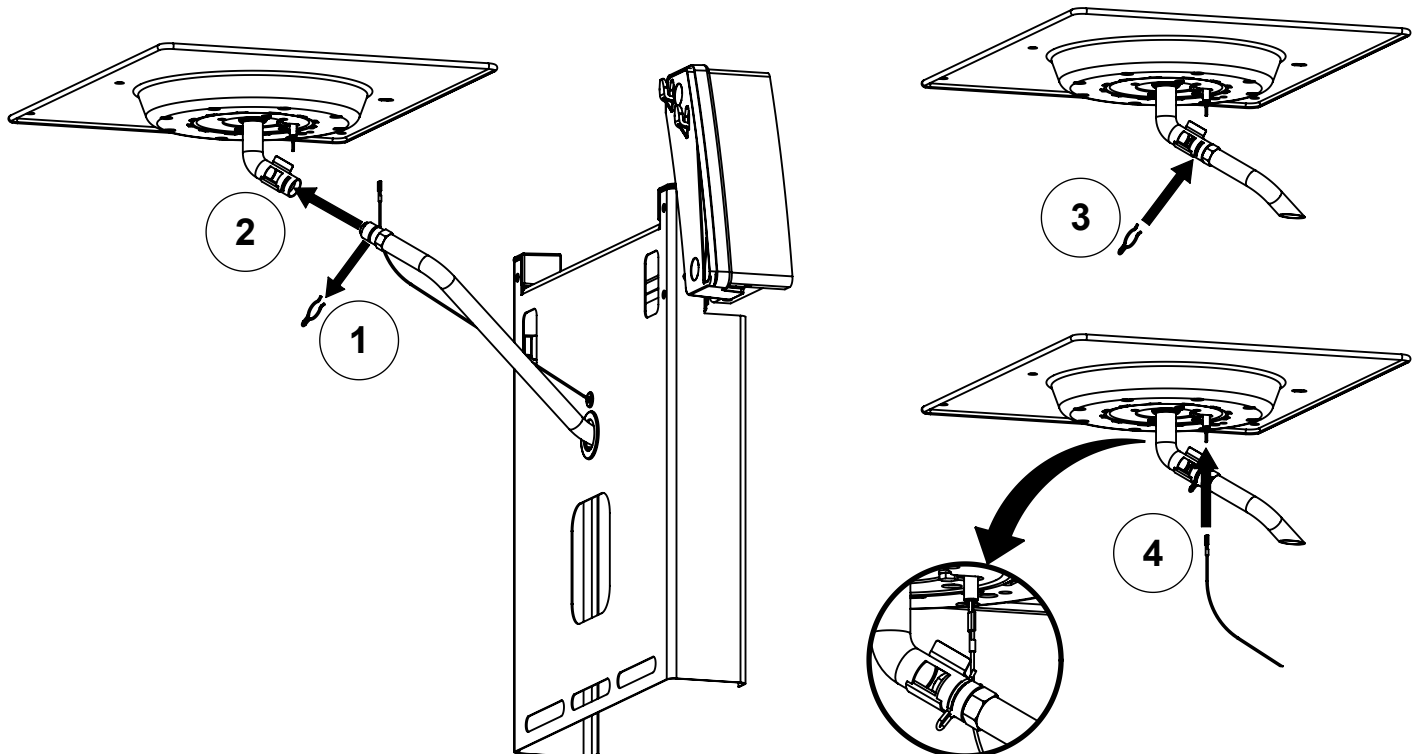
(2) 

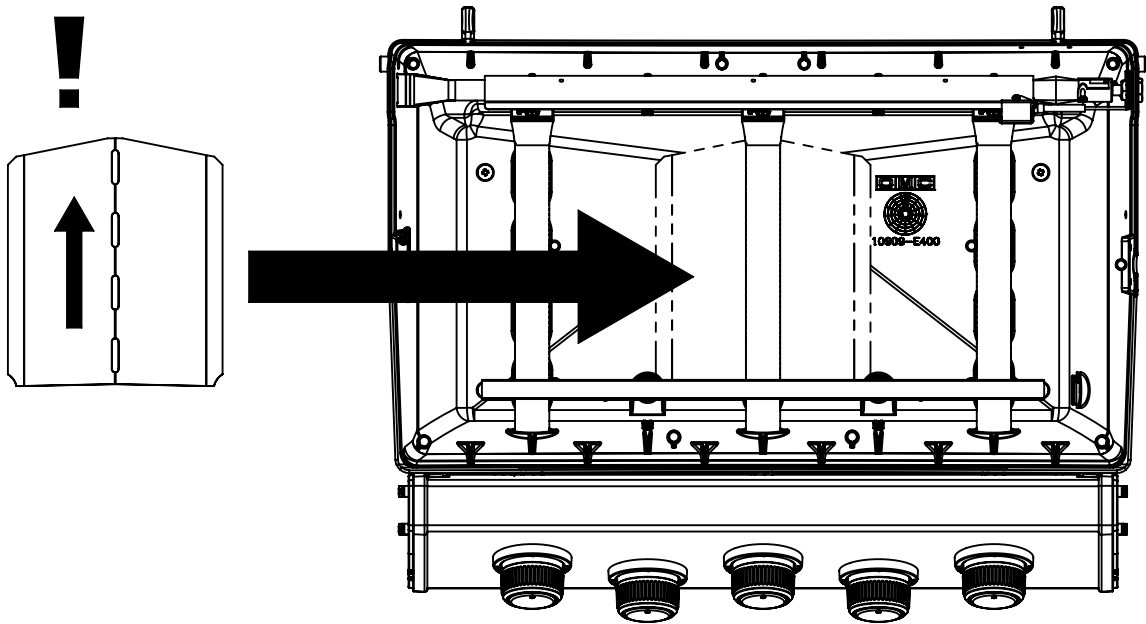
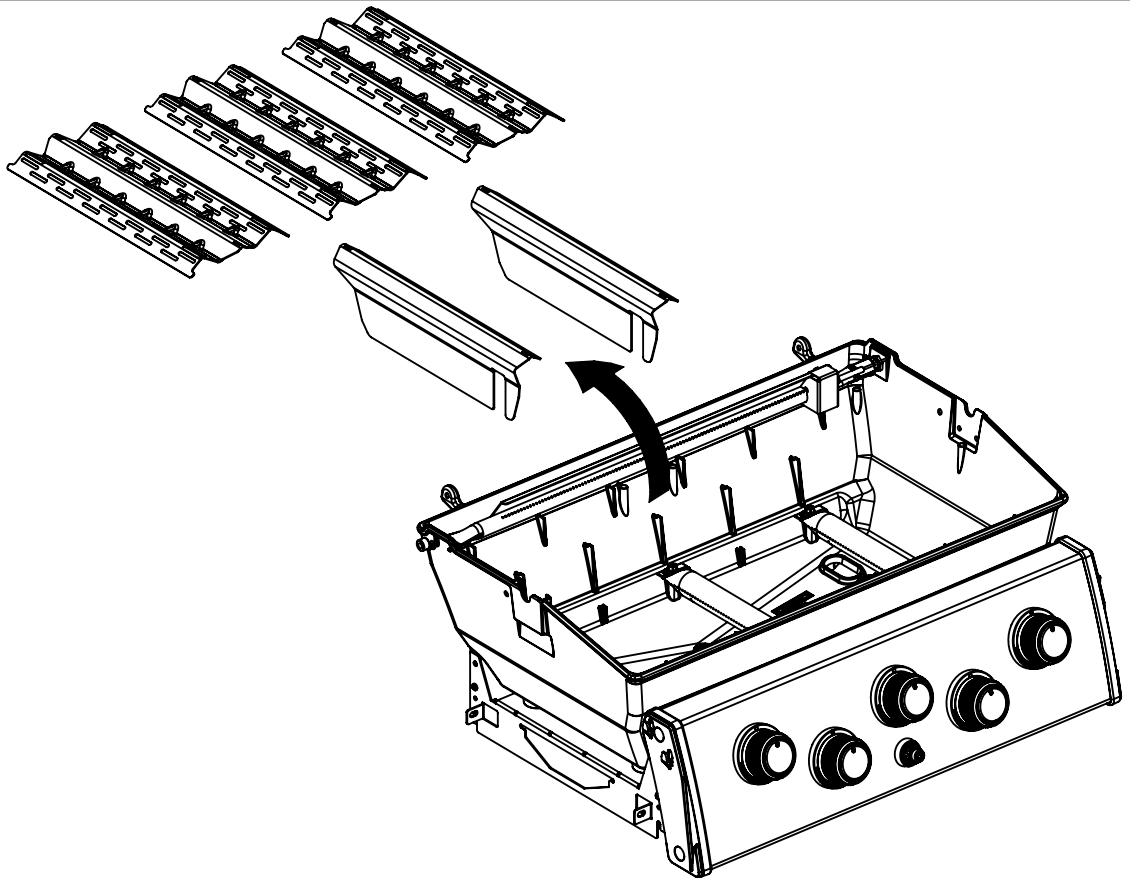
(1) 



10

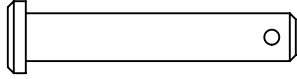
(1) 



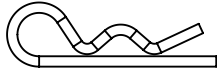


12

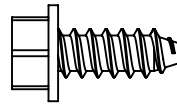
(2)



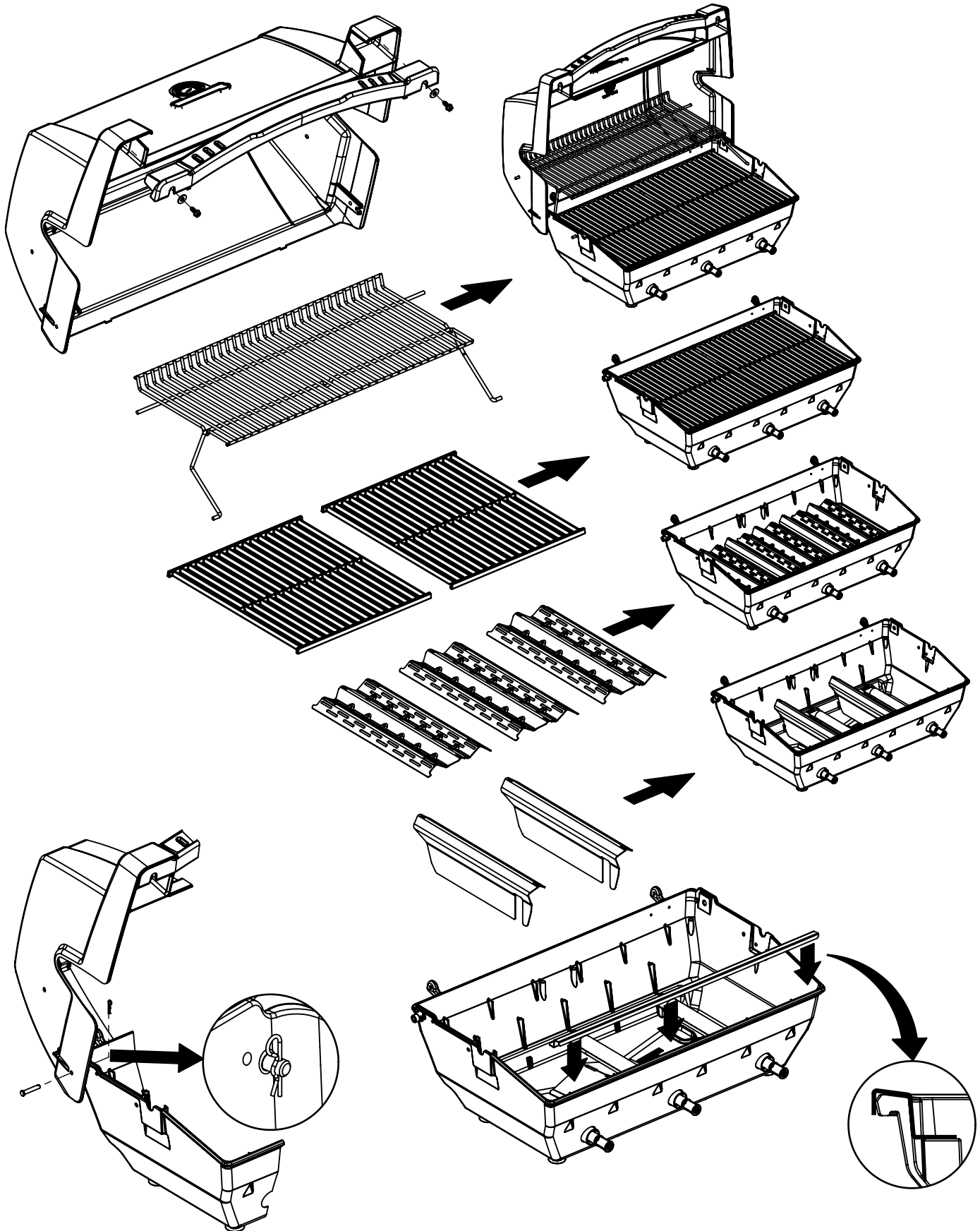
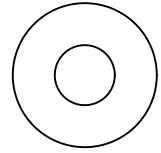
(2)



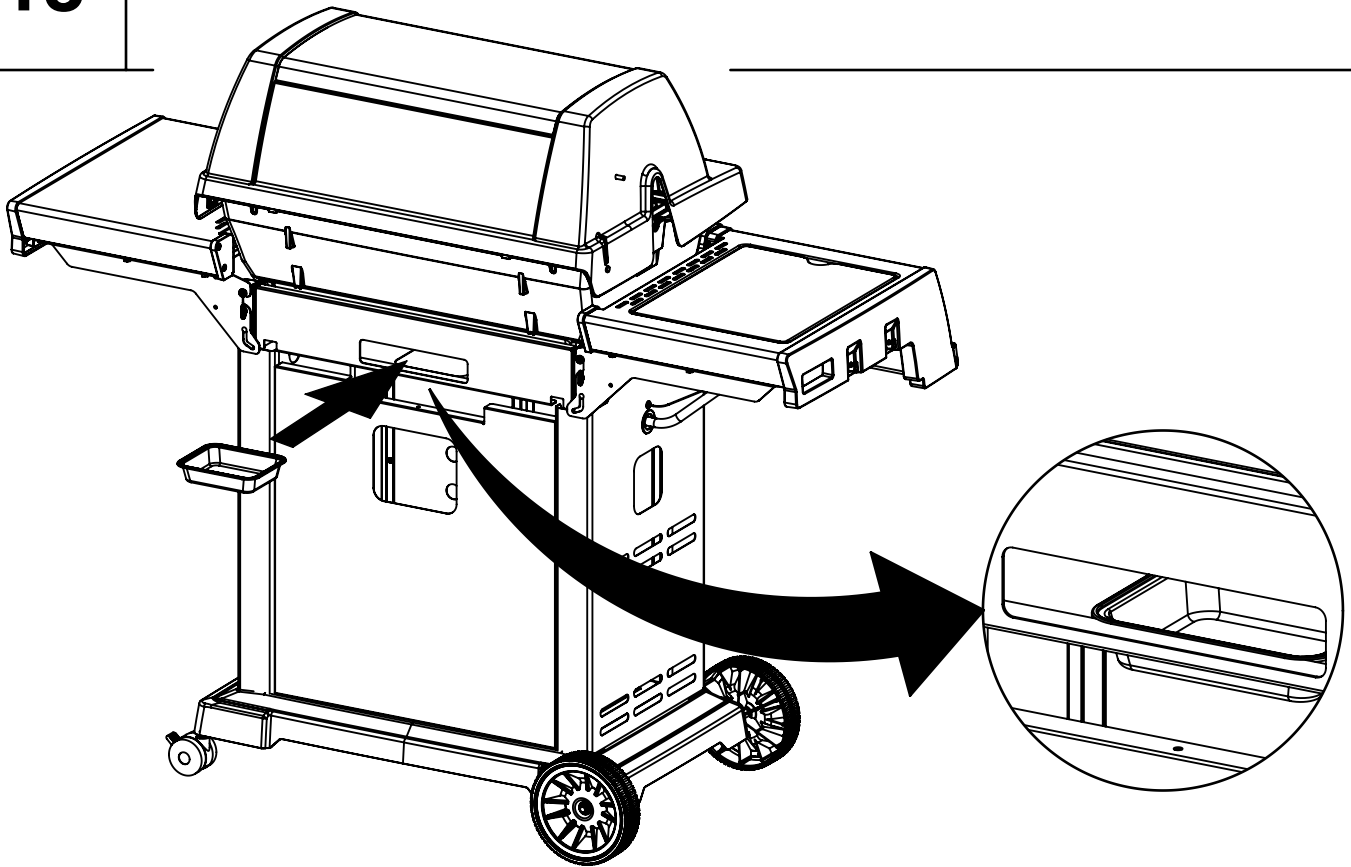
(2)



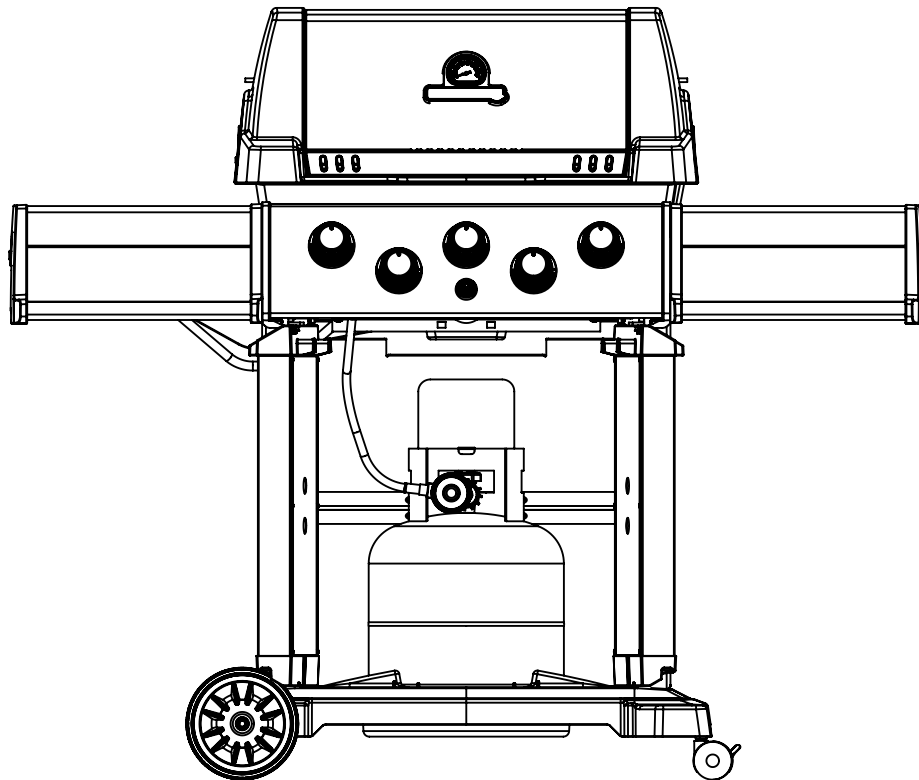
(2)



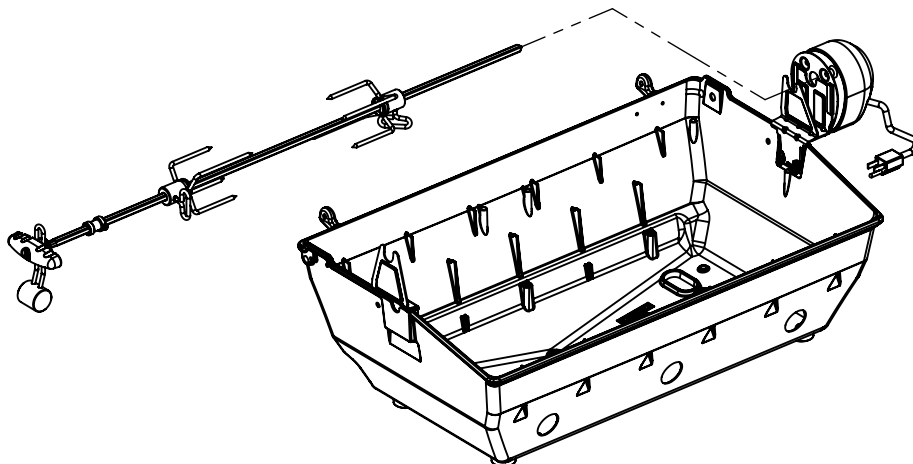
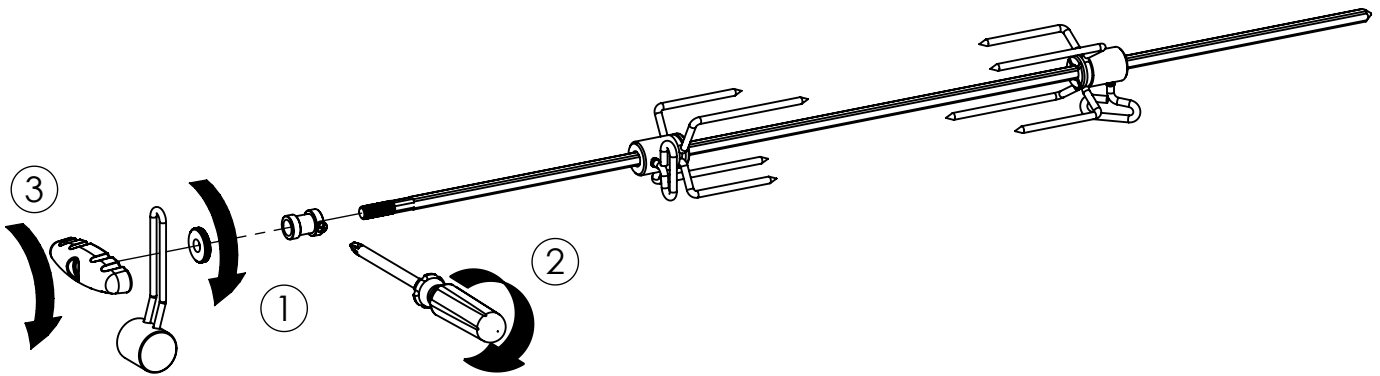
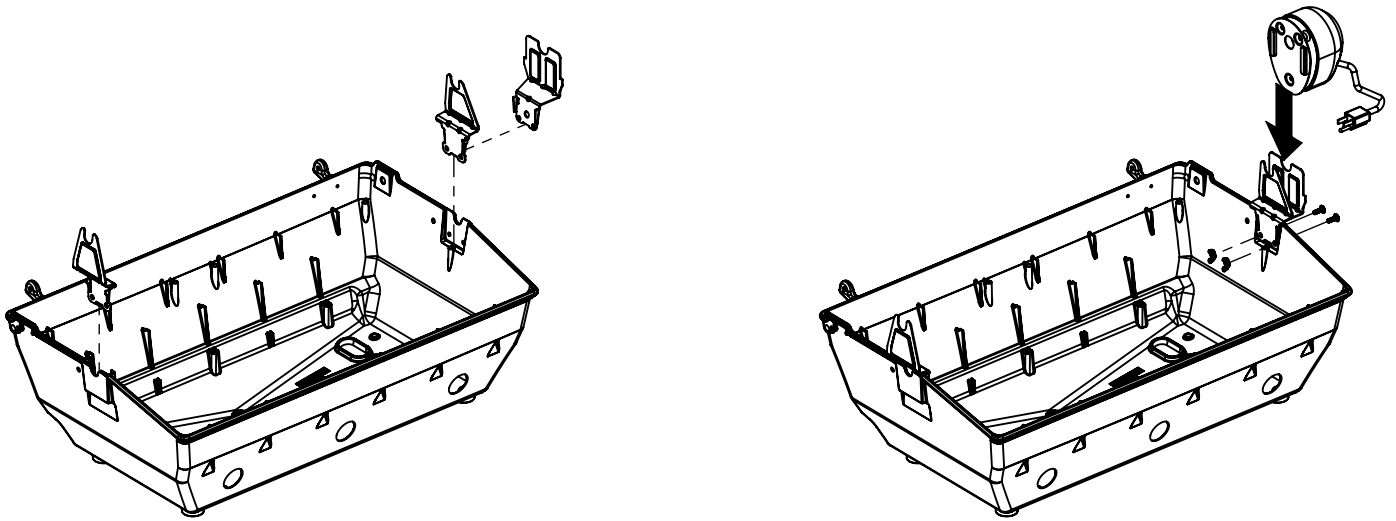
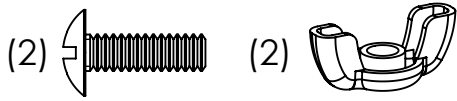
13

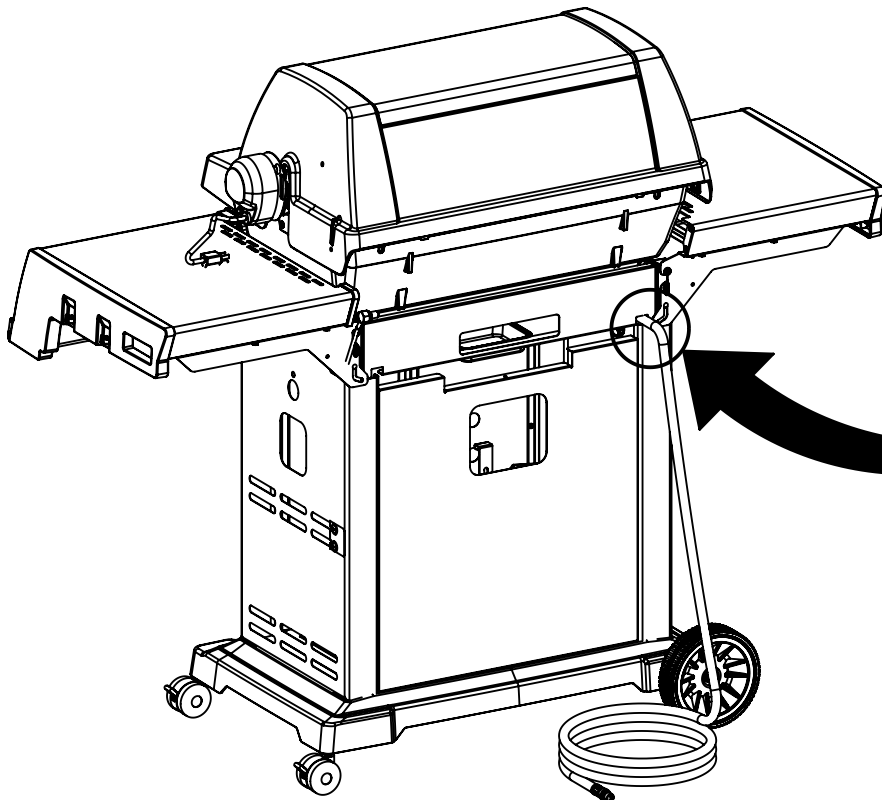
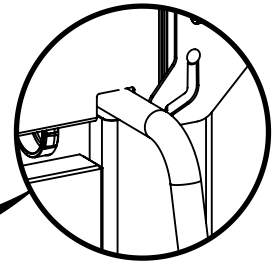
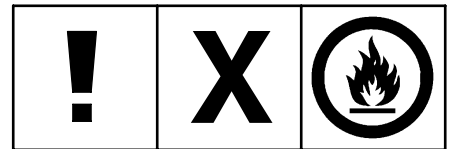
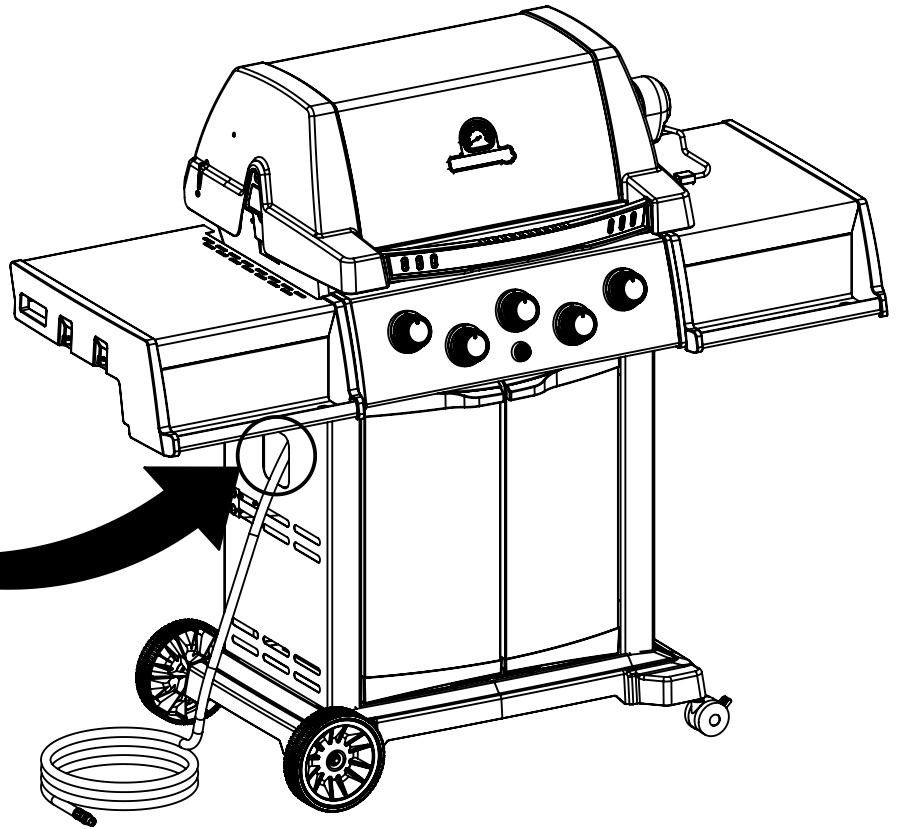
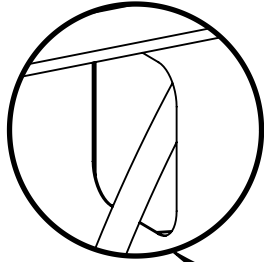
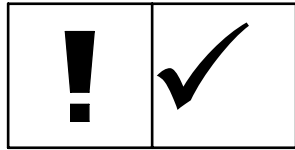


14



15





PARTS LIST / LISTE DES PIECES

KEY #	ITEM #	DESCRIPTION	DESCRIPTION	9869-54ED	9869-74ED	9868-74	9868-84	9878-14	9878-34	9878-44
				9869-57ED	9869-77ED	9868-77	9868-87	9878-17	9878-37	9878-47
1	10909-E400	CASTING BOTTOM	FOND DU FOYER	1	1	1	1	*	*	*
	10909-E450	CASTING BOTTOM	FOND DU FOYER	*	*	*	*	1	1	1
2	10473-E400	CASTING TOP	COUVERCLE DU GRIL	1	1	1	1	*	*	*
	10473-E450	CASTING TOP	COUVERCLE DU GRIL	*	*	*	*	1	1	1
3	10081-BK630	NAMEPLATE	PLAQUE D'IDENTIFICATION	1	1	1	1	1	1	1
4	10958-E404	TOP CASTING INSERT	PANNEAU DE COUVERCLE	1	1	1	1	*	*	*
	10958-E450	TOP CASTING INSERT	PANNEAU DE COUVERCLE	*	*	*	*	1	1	1
5	10571-6	HEAT INDICATOR	INDICATEUR DE CHALEUR	1	1	1	1	1	1	1
	10240-15	HINGE PIN	GOUPILLE DE CHARNIERE	6	6	6	6	6	6	6
6A	S21237	HINGE SPACER	ENTRETOISE DE CHARNIERE	2	2	2	2	2	2	2
7	S21233	HITCH PIN CLIP	ATTACHE DE CHEVILLE	6	6	6	6	6	6	6
9	38170121	GRID	GRILLE	2	2	*	*	*	*	*
	S12033S	GRID	GRILLE	*	*	*	*	3	3	3
	10225-T436	GRID	GRILLE	*	*	3	3	*	*	*
10	10222-E400	FLAV-R-WAVE	FLAV-R-WAVE	3	3	3	3	3	3	3
11	10225-E401	GRID - WARMING RACK	GRILLE	1	1	1	1	*	*	*
	10225-E451	GRID - WARMING RACK	GRILLE	*	*	*	*	1	1	1
12	10222-E401	DIVIDER	DIVISEUR	2	2	2	2	2	2	2
13	10184-R84	BOSS EXTENSION	CROCHET DE RALLONGEMENT	*	*	*	*	1	1	1
15	10390-E20LP	BURNER	BRÛLEUR	3/0	3/0	3/0	3/0	3/0	3/0	3/0
	10390-E20NG	BURNER	BRÛLEUR	0/3	0/3	0/3	0/3	0/3	0/3	0/3
17	10342-245	ELECTRONIC IGNITOR	ALLUMEUR ÉLECTRONIQUE	1	1	*	*	1	*	*
	10342-246	ELECTRONIC IGNITOR	ALLUMEUR ÉLECTRONIQUE	*	*	1	*	*	1	*
	10342-247	ELECTRONIC IGNITOR	ALLUMEUR ÉLECTRONIQUE	*	*	*	1	*	*	1
18	10342-E12	ELECTRODE	ELECTRODE	2	2	2	2	2	2	2
19	10342-E400	COLLECTOR BOX	BOÎTE DE COLLECTEUR	1	1	1	1	1	1	1
19A	10342-E401	COLLECTOR BOX	BOÎTE DE COLLECTEUR	1	1	1	1	1	1	1
21	10444-E40	CONTROL ASSEMBLY - LP	ASSEMBLÉE DE CONTROLE	1/0	*	*	*	*	*	*
	10444-E41	CONTROL ASSEMBLY - NG	ASSEMBLÉE DE CONTROLE	0/1	*	*	*	*	*	*
	10444-E50	CONTROL ASSEMBLY - LP	ASSEMBLÉE DE CONTROLE	*	*	*	*	1/0	*	*
	10444-E51	CONTROL ASSEMBLY - NG	ASSEMBLÉE DE CONTROLE	*	*	*	*	0/1	*	*
	10444-E449	CONTROL ASSEMBLY - LP	ASSEMBLÉE DE CONTROLE	*	1/0	1/0	*	*	*	*
	10444-E459	CONTROL ASSEMBLY - NG	ASSEMBLÉE DE CONTROLE	*	0/1	0/1	*	*	*	*
	10444-E469	CONTROL ASSEMBLY - LP	ASSEMBLÉE DE CONTROLE	*	*	*	1/0	*	*	*
	10444-E479	CONTROL ASSEMBLY - NG	ASSEMBLÉE DE CONTROLE	*	*	*	0/1	*	*	*
	10444-E549	CONTROL ASSEMBLY - LP	ASSEMBLÉE DE CONTROLE	*	*	*	*	*	1/0	*
	10444-E559	CONTROL ASSEMBLY - NG	ASSEMBLÉE DE CONTROLE	*	*	*	*	*	0/1	*
	10444-E569	CONTROL ASSEMBLY - LP	ASSEMBLÉE DE CONTROLE	*	*	*	*	*	*	1/0
	10444-E579	CONTROL ASSEMBLY - NG	ASSEMBLÉE DE CONTROLE	*	*	*	*	*	*	0/1
21A	S13470-091	HOSE-SIDE BURNER LP	TUYAU DU BRULEUR LATERAL PL	*	*	*	1/0	*	*	1/0
	S13470-132	HOSE-SIDE BURNER NG	TUYAU DU BRULEUR LATERAL GN	*	*	*	0/1	*	*	0/1
21B	Y-11230	COTTER PIN	ATTACHE DE CHEVILLE	*	*	*	1	*	*	1
21C	10110-40	TUBE-REAR BURNER ASSY	TUBE DE BRULEUR ARRIERE	*	1	1	1	*	*	*
	10110-45	TUBE-REAR BURNER ASSY	TUBE DE BRULEUR ARRIERE	*	*	*	*	*	1	1
22	10114-20	HOSE & REGULATOR LP - QCC1	TUYAU ET REGULATEUR PL - QCC1	1/0	1/0	1/0	1/0	1/0	1/0	1/0
	10111-K45	HOSE NATURAL GAS	TUYAU (GAZ NATUREL)	0/1	0/1	0/1	0/1	0/1	0/1	0/1
23	22001-768	CONTROL KNOB	BOUTON DE CONTROLE	3	4	4	5	3	4	5
23A	10472-E38	CONTROL BEZEL	MONTURE DE CONTROLE	3	4	4	5	3	4	5
25	10222-E402	BAFFLE	PLAQUE-CHICANE	1	1	1	1	1	1	1
30	10194-E433C	CONTROL COVER	PANNEAU DE CONTROLE	1	*	*	*	*	*	*
	10194-E477C	CONTROL COVER	PANNEAU DE CONTROLE	*	1	*	*	*	*	*
	10194-E433	CONTROL COVER	PANNEAU DE CONTROLE	*	*	*	*	1	*	*
	10194-E477	CONTROL COVER	PANNEAU DE CONTROLE	*	*	1	*	*	1	*
	10194-E499	CONTROL COVER	PANNEAU DE CONTROLE	*	*	*	1	*	*	1
31	10711-E42A	EDGE CAP - CONTROL COVER	PAC DE BORD	1	1	1	1	1	1	1
32	10711-E41A	EDGE CAP - CONTROL COVER	PAC DE BORD	1	1	1	1	1	1	1
33	10184-E84	RADIATION SHIELD	ÉCRAN DE CHALEUR	1	1	1	1	1	1	1
35	10184-E501	SUPPORT-CASTING-LEFT	SUPPORT GAUCHE DU FOYER	1	1	1	1	1	1	1
36	10184-E511	SUPPORT-CASTING-RIGHT	SUPPORT DROIT DU FOYER	1	1	1	1	1	1	1
37	10184-E651	SUPPORT-SIDE SHELF-LEFT	SUPPORT TABLETTE DE GAUCHE	2	2	2	2	2	2	2
37A	10184-E63	SUPPORT-SIDE SHELF-LEFT	SUPPORT TABLETTE DE GAUCHE	2	2	2	2	2	2	2
38	10184-E641	SUPPORT-SIDE SHELF-RIGHT	SUPPORT TABLETTE DE DROIT	2	2	2	2	2	2	2
38A	10184-E62	SUPPORT-SIDE SHELF-RIGHT	SUPPORT TABLETTE DE DROIT	2	2	2	2	2	2	2
39	10956-E881	BRACE-REAR	SUPPORT ARRIERE	1	1	1	1	1	1	1
40	10958-E81	BASE	TABLETTE INFERIEURE	1	1	1	1	1	1	1
41	10956-E591	BRACE-FRONT	SUPPORT AVANT	1	1	1	1	1	1	1
42	10958-E75	DOOR	PORTE	2	2	*	*	*	*	*
	10958-E79	DOOR	PORTE	*	*	2	2	2	2	2
42A	10958-E851	DOOR - INNER	PORTE INTÉRIEURE	2	2	2	2	2	2	2
43	10958-E761	SIDE PANEL BLK	PANNEAU LATERALE	2	2	2	2	2	2	2
44	10958-E901	PANEL - REAR	PANNEAU - ARRIÈRE	1	1	1	1	1	1	1
45	10184-E821	BRACKET - DOOR CATCH	CROCHET DE PORTE	1	1	1	1	1	1	1
48	10184-E681	BRACKET - SHELF	CROCHET - PLANCHETTE	2	2	2	2	2	2	2
49	10711-E84	CONDIMENT BIN	CASIER DE CONDIMENT	*	*	2	2	2	2	2
	10711-E811	CONDIMENT BIN	CASIER DE CONDIMENT	2	2	*	*	*	*	*

