

This Owner's Manual is provided and hosted by [Appliance Factory Parts](#).



Broil King 9877-14 Owner's Manual

[Shop genuine replacement parts for Broil King 9877-14](#)



[Find Your Broil King Grill Parts - Select From 1349 Models](#)

----- Manual continues below part list -----

Available Replacement Parts for Broil King 9877-14

91122GC	GP GRID CAST IRON 2PC Set
10696-160	ORIFICE HOOD R/B 0.160MM NG
18013	LARGE PROBE HEAT INDICATOR
10225-T10	GRID PORCELAIN S/B
10393-K40	SIDE BURNER COVER 1.86
10081-BK630	NAMEPLATE HI BROIL KING BLACK ZINC
10240-15	HINGE PIN SIDE SHELF DROP DOWN
S21237	HINGE PIN SPACER
10892-15	CASTER 2 1/2 INCH WHEEL KNURLED
S21124	SCREW PHCP #8 X 12 +
PB20-60A	S/B LID HANDLE WAGON ENCLOSER+ W/SCREWS
10390-E10	BURNER SIDE 10BTU W/ELEC #8 +
10393-R50	SIDE BURNER BODY 2002 +
Y-12220	S/B BUSHING SB 1.375 16 HEY
50416	SMALL DRIP PAN - 10 PACK
10892-931A	WHEEL 7 INCH GREY WALL
18429	FLAV R WAVE - SIGNET/SOVEREIGN
S15236	ROTISSERIE MOTOR AC 120V
S15263	ROTISSERIE BUSHING
S15299	WASHER COUNTERWEIGHT ROTIS
S15270	ROTISSERIE COUNTERWEIGHT ASSY
S15271	ROTISSERIE HANDLE +
10184-e78A	END CAP DOOR TOP LHS W/MAGNET
10184-e76	END CAP DOOR BOTTOM LEFT A
10184-e79a	END CAP DOOR TOP RHS W/MAGNET
10696-109	ORIFICE HOOD R/B 0.109MM LP
10342-246	IGNITOR ELECTRONIC TRIPLE +
10342-E400A	COLLECTOR BOX ASSEMBLY
10184-E62	SHELF SUPPORT BRACKET LHS +
10184-E63	SHELF SUPPORT BRACKET RHS +

10958-E81	BASE RESIN CABINET REV A +
10958-E761	PANEL SIDE BLACK +
10958-E901	PANEL REAR BLACK 21 3/4 INCH NEW 2006
10184-E691	ALIGNMENT BRACKET BLACK
10184-E77	END CAP DOOR BOTTOM RIGHT A
S13005A	BURNER TUBULAR W/IGNITION
S15170	AXLE PLTD 3/8X20 5/8 CAB +
10184-E651	SHELF SUPPORT LHS BLK
10184-E641	SHELF SUPPORT RIGHT BLK
10711-E47	END CAP SIDE SHELF RHS
10711-E43	EDGE CAP SIDESHLF R REAR.034LB
10711-E45	EDGE CAP SIDESHLF R FRNT.199LB
10711-E48	END CAP SIDE SHELF LHS
10711-E44	EDGE CAP SIDE SHELF LHS REAR
10711-E46	EDGE CAP SIDE SHELF LHS FRONT
18629	TUBE IN TUBE BURNER SIGNET/SOVEREIGN
10110-45	TUBE 450/600 REAR BURNER
10472-E38	CONTROL KNOB - BEZEL BLK
10184-E501	CASTING SUPPORT L BLK
10184-E511	CASTING SUPPORT RHS BLK
10696-127	R/B ORIFICE LP
10696-185	R/B ORIFICE NG 1.85MM
11184-E341	ROTISSERIE BRACKET MOTOR
10184-E44	ROTISSERIE BRACKET LHS (1 HOLE)
10909-E450	CASTING BOTTOM 450 +
10958-E400	TOP CASTING INSERT SS
11228	CI COOKING GRIDS SET OF 2
10225-E401	GRID - WARMING RACK +
10225-E451	GRID - WARMING RACK +
10444-E54	CONTROL ASSY 52BTU 3V RB LP
10110-40	TUBE 400 REAR BURNER
10184-E92	RADIATION SHIELD 390/400
10956-E591	BRACE FRONT BLACK

S15257	SPIT ROD ROTISSERIE 33 INCH
18529	FLAV R WAVE DIVIDER - SIGNET/SOVEREIGN
66123	grid, ci, 16.9375 x 24.9375; Kenmore.
11041	burner, pipe, ss, 14.3125 x 1.125
94001	heat plate, ss, 13.75 x 6.25
10958-e79lw	DOOR SMALL LHS CABINET ASSY +
10184-R84	CASTING BOSS EXTENSION 450 +
10222-E402	BAFFLE SIGNET/SOVEREIGN
10711-E42A	EDGE CAP CONTROL COVER LHS
10194-E433	CONTROL COVER SS 3V 2.36 +
10342-T16	WIRE ELECTRODE S/B +
10956-E881	BRACE REAR BLACK
94031	USE MCM909400114
00475	heat indicator
10184-E211	TANK COLLAR CLAMP 3B BLACK
10184-E201	TANK STRAP 3B BLACK
33200	get jet Orifice Drilled to #57
80012	regulator and hose READ ADD. INFO
10342-245	IGNITOR ELECTRONIC DUAL +
04831	ELECTRODE WITH WIRE
S13015A	BURNER TUBULAR 450 W/IGNITION
50502	HEAVY DUTY MEAT FORKS
10184-E33	ROTISSERIE BRACKET (2 HOLES)
10184-E991	DOOR CATCH BRACKET
11151	SS COOKING GRID - SOVEREIGN
11124	EXACT FIT CAST GRID
17010	CONTROL KNOB RESIN LRG BLACK
10444-E36	CONTROL ASSY 44BTU 3V LP DUAL S/B R/B
10445-E36	CONTROL ASSY DUAL 5V 48BTU LP
10445-E37	CONTROL ASSY 52BTU 3V SB/RB NG W/PIGTAIL
10111-K45	HOSE 3/8 INCH ASSEMBLY NG 10 FOOT +
Y-11990	NUT HEX BRASS 3/8 27 RB LINE
10342-E12	ELECTRODE W/WIRE +

Broil King®

REDDI-BILT BARBECUES

ASSEMBLY MANUAL & PARTS LIST

MANUEL DE MONTAGE & LISTE DE PIÈCES

Broil King®
SOVEREIGN 20
9877-14
9877-17



Broil King®
SIGNET 70SS
9867-34
9867-37
SOVEREIGN 70
9877-34
9877-37



Broil King®
CONNAISSEUR 40
9867-64C
9867-67C
SOVEREIGN 40S
9877-64
9877-67



Broil King®
SIGNET 90
9867-84
9867-87
CONNAISSEUR 90
9867-84C
9867-87C
SIGNET 90B
9869-84
9869-87
SOVEREIGN 90
9877-44
9877-47



Broil King®
SOVEREIGN 90S
9879-44
9879-47



RETAIN FOR FUTURE REFERENCE

VEUILLEZ CONSERVER POUR REFERENCE ULTERIEURE

1-800-265-2150

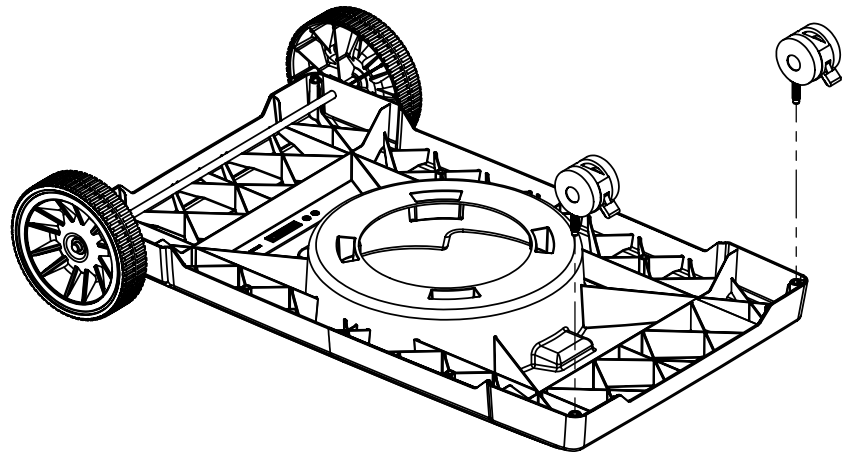
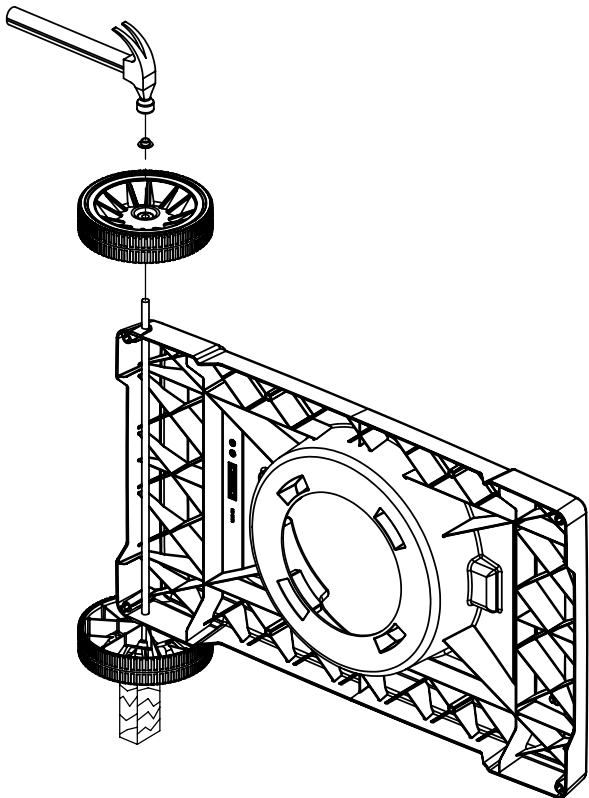
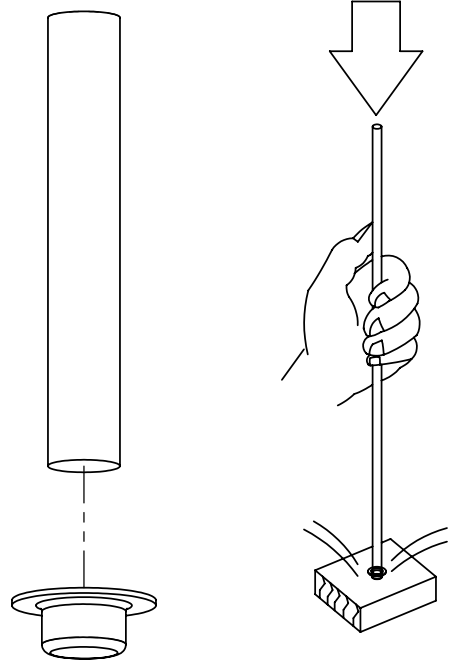
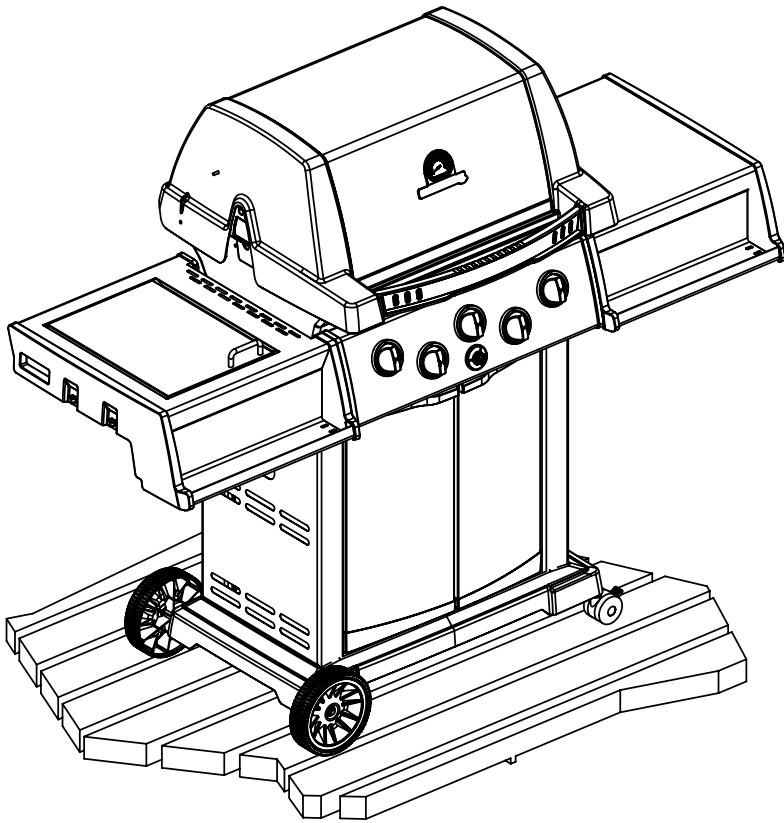
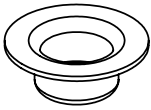
info@omcbbq.com

Onward
SINCE 1906
MANUFACTURING COMPANY
585 KUMPF DRIVE LIMITED
WATERLOO, ONTARIO, CANADA
N2V 1K3

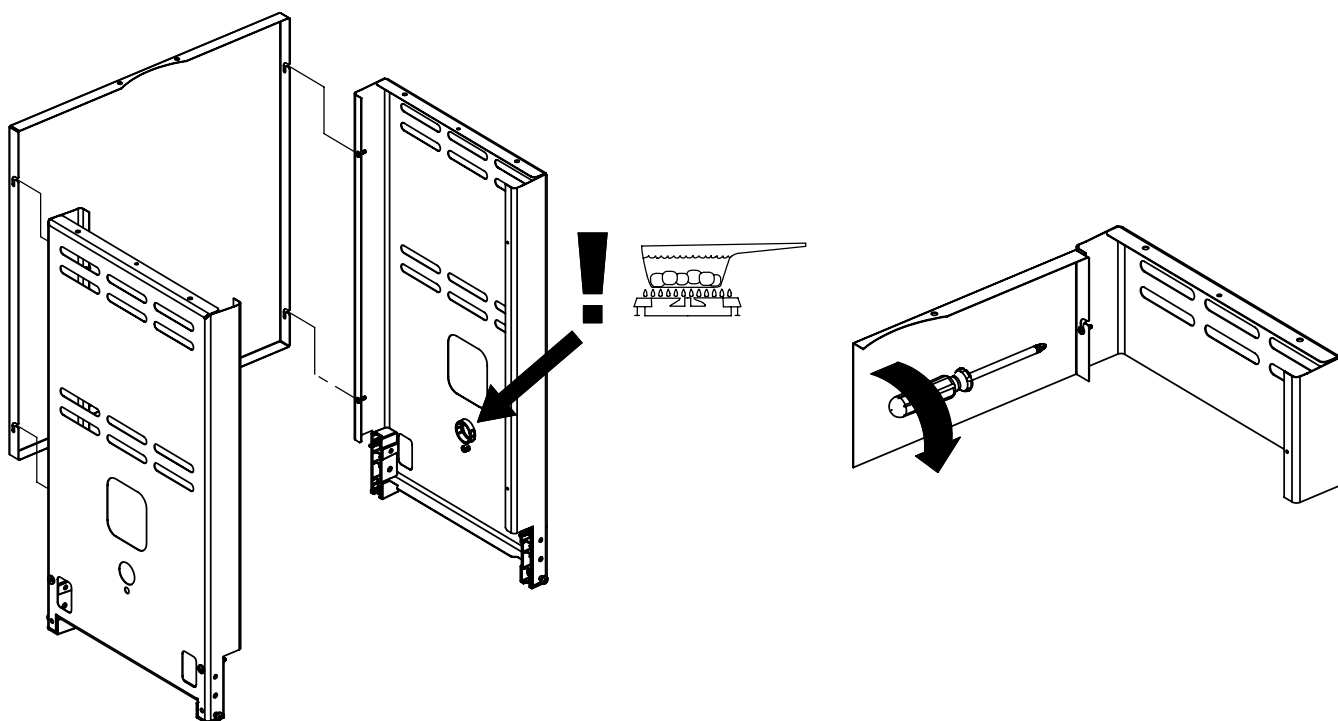
10084-E40 REV A 10/06

1

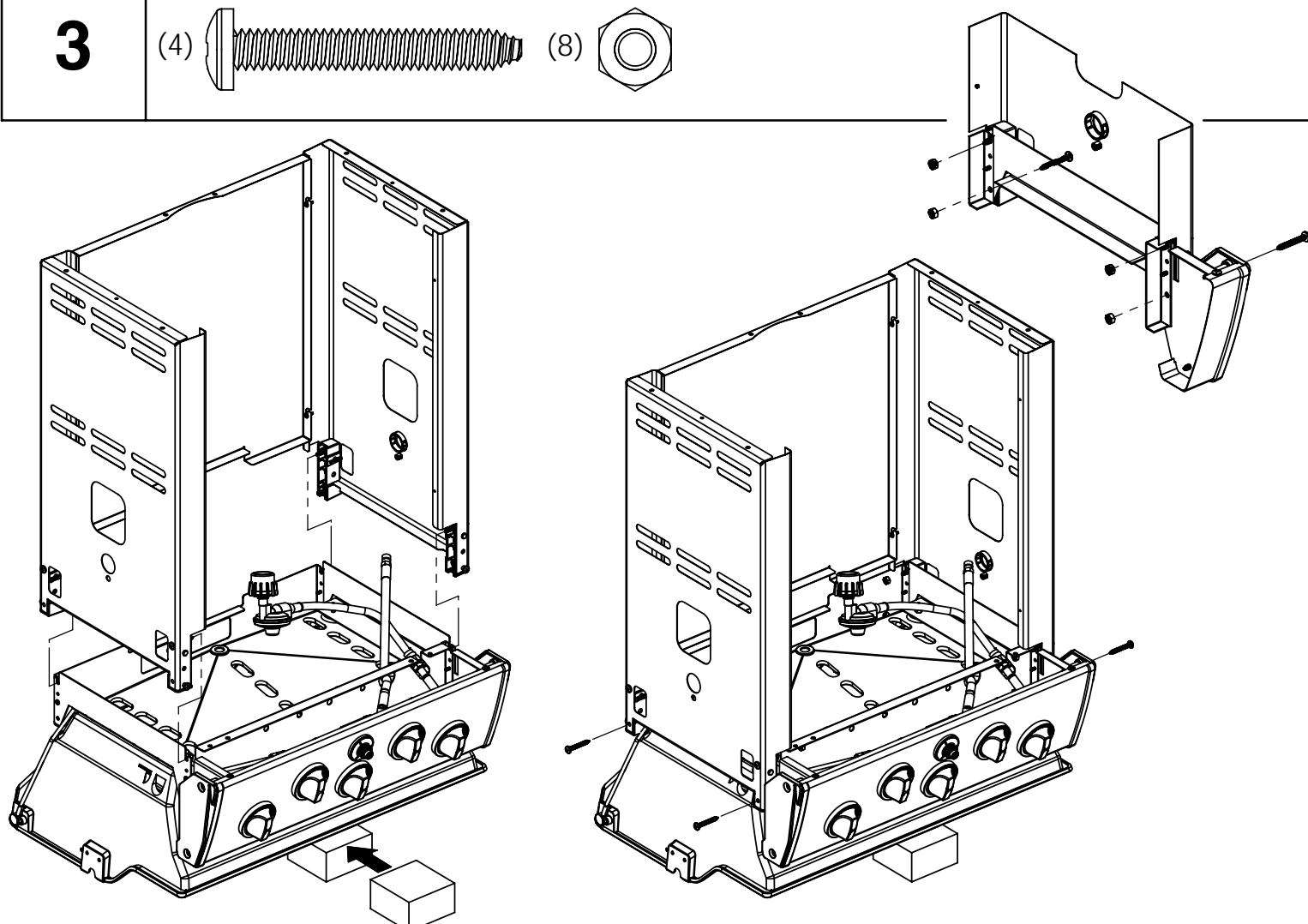
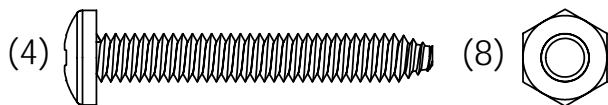
(2)



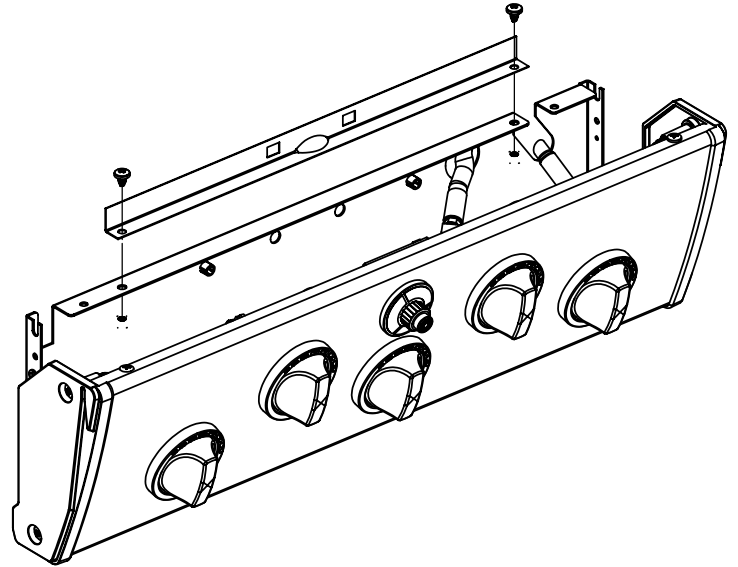
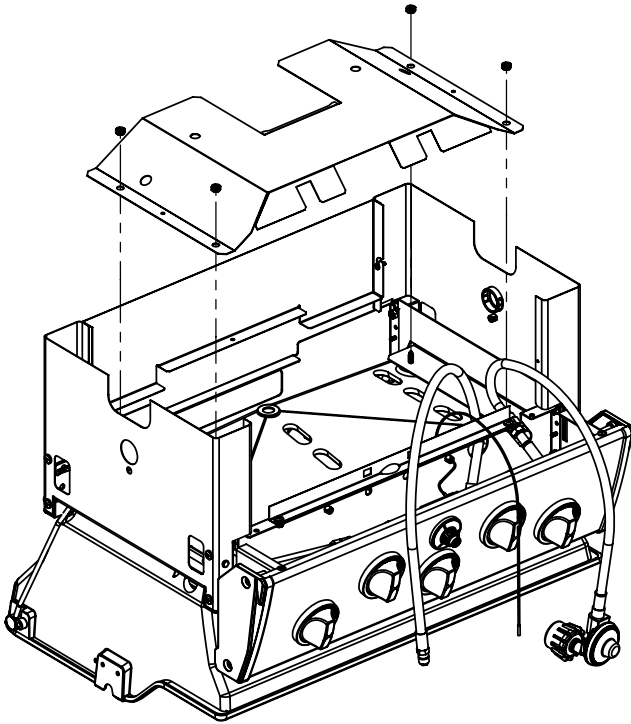
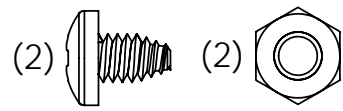
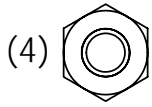
2



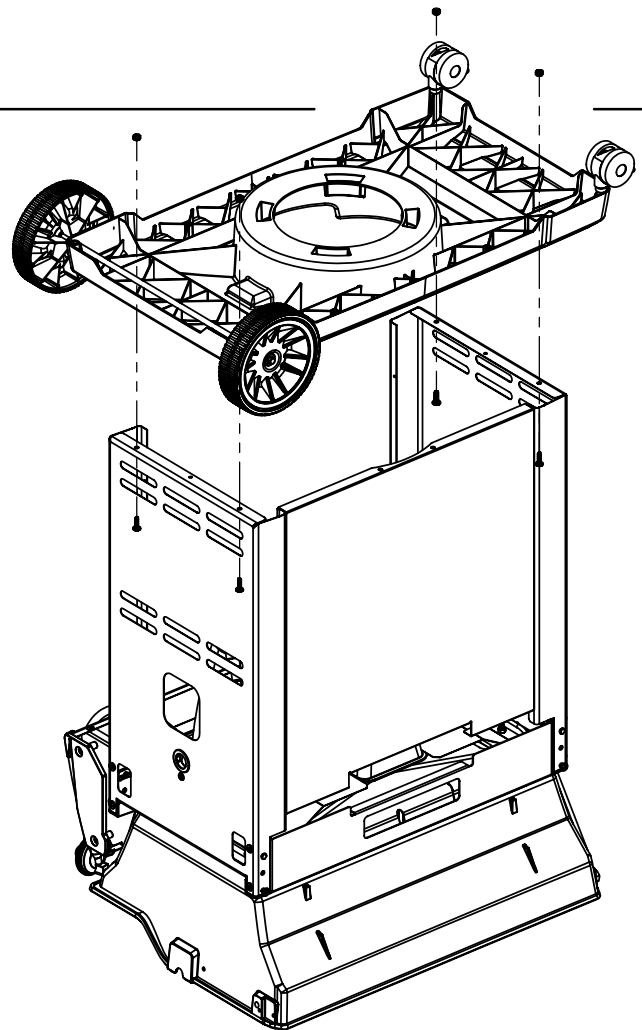
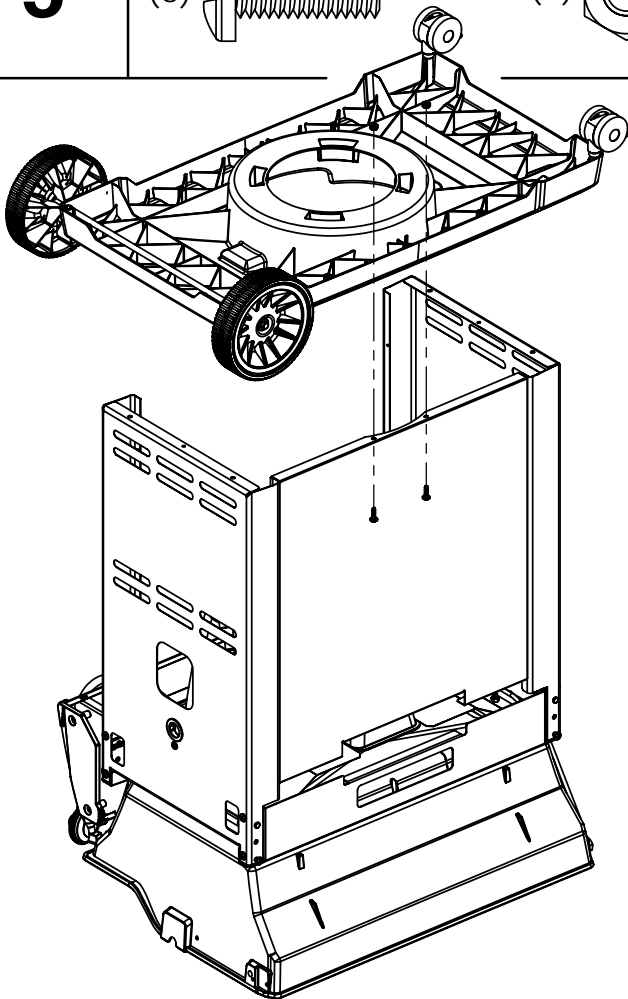
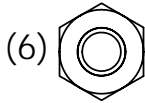
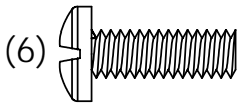
3



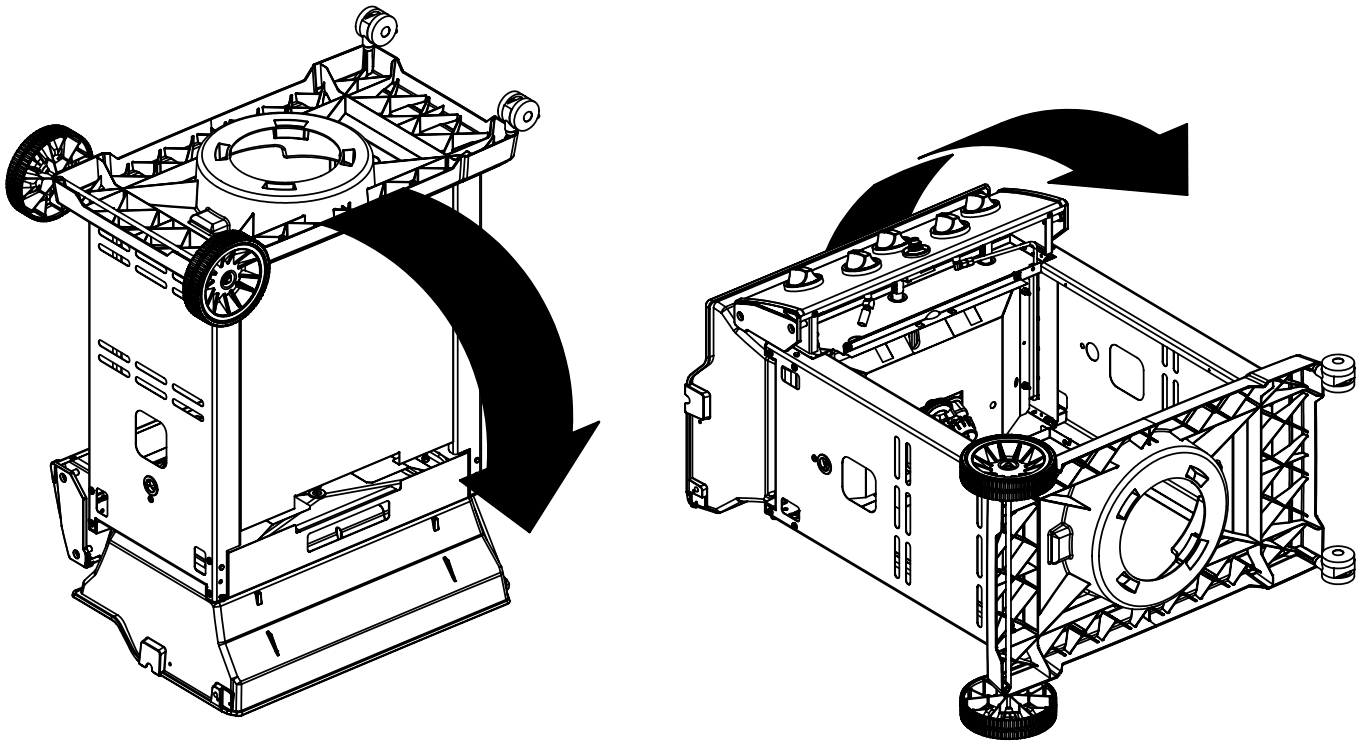
4



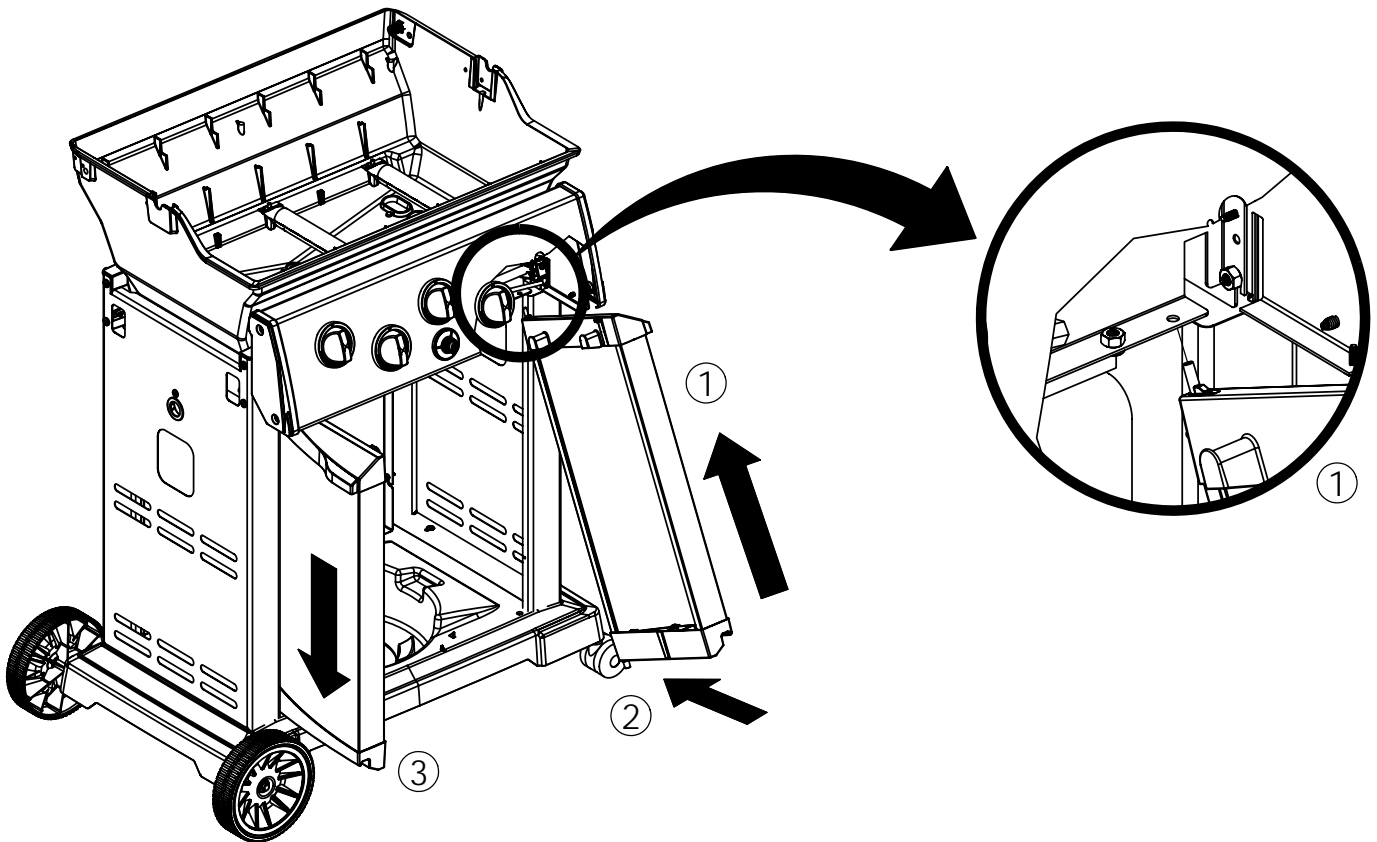
5



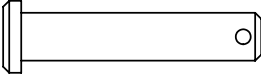
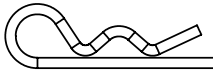
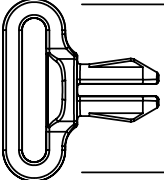
6

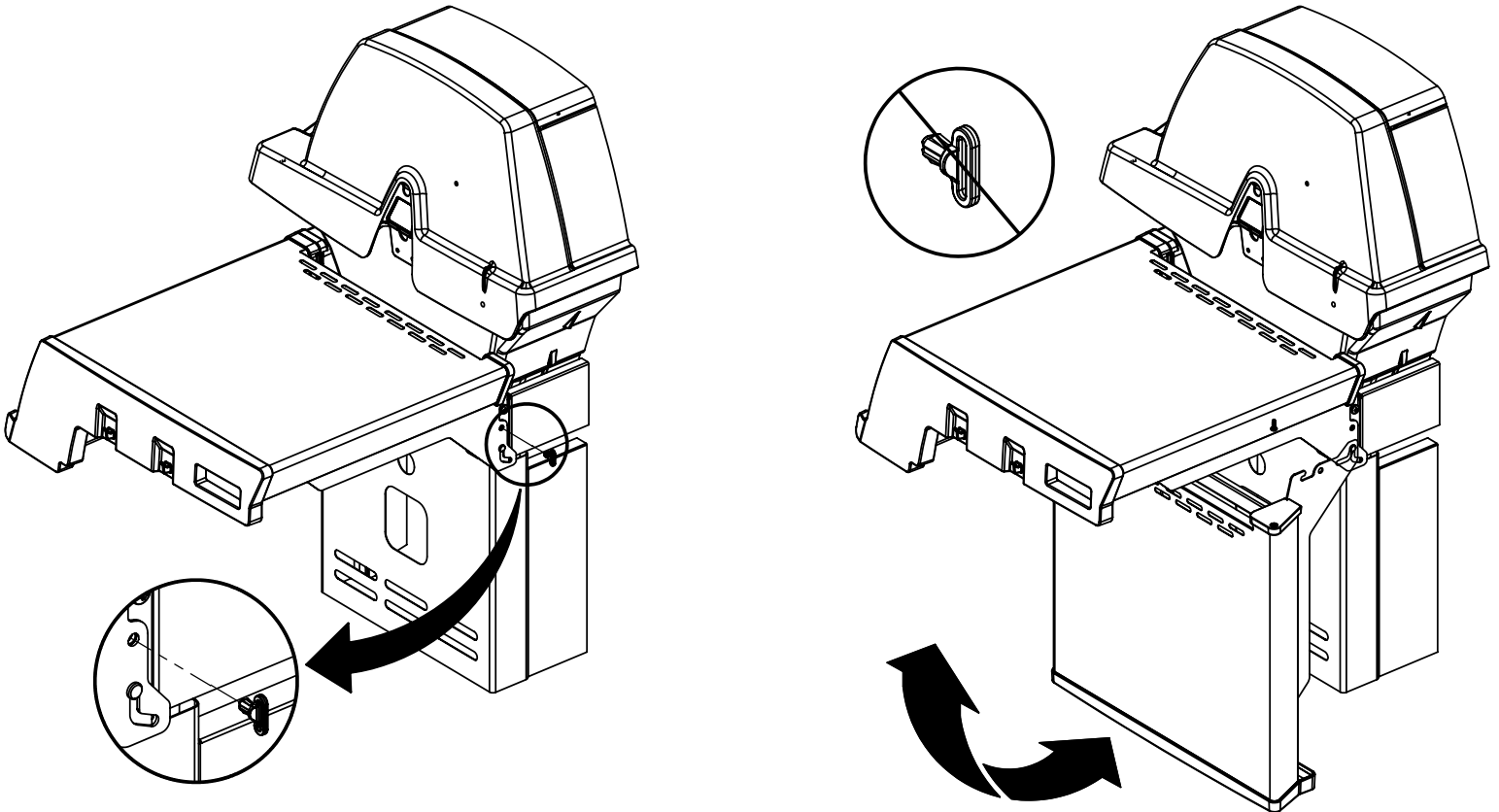
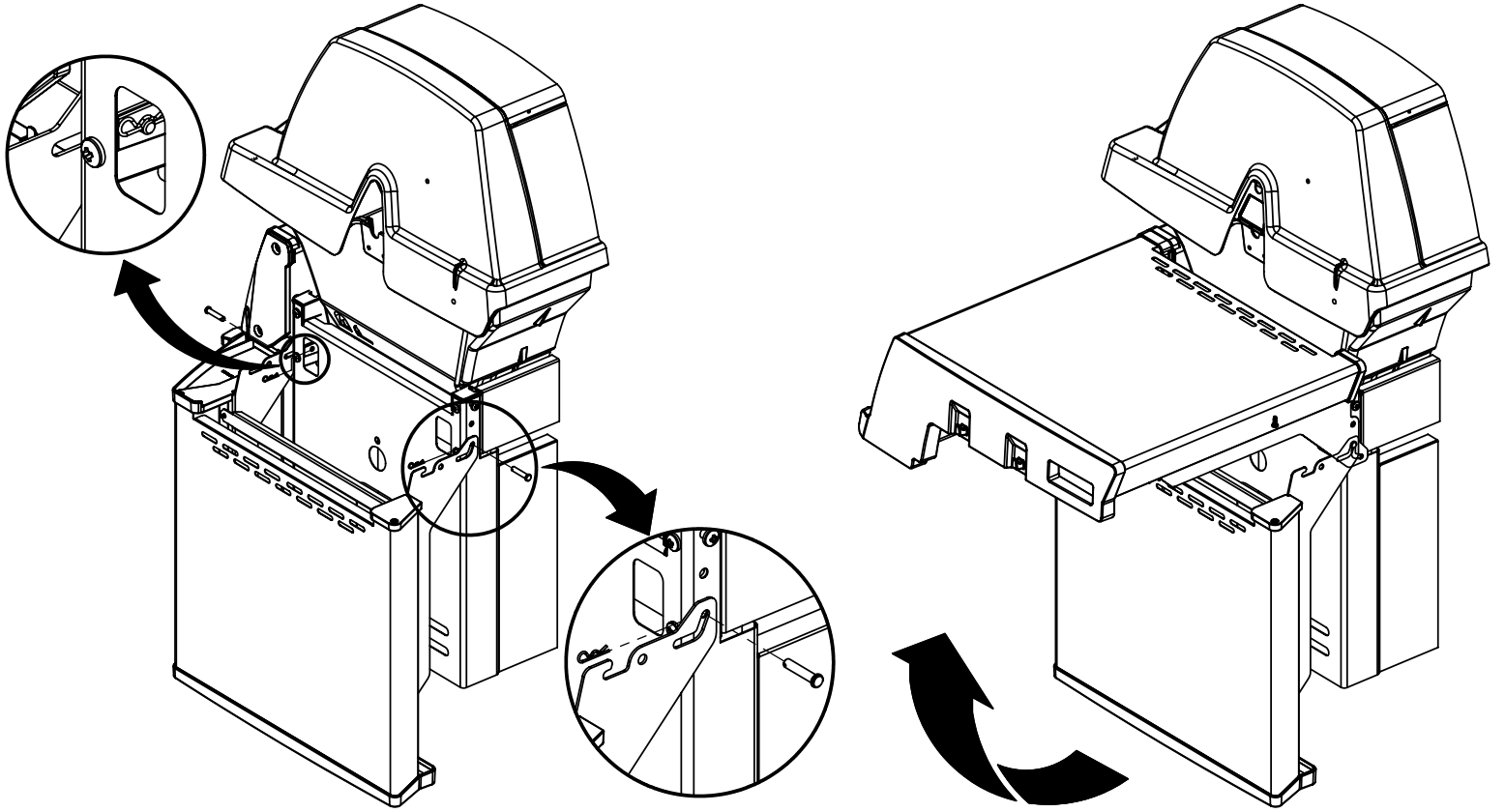


7

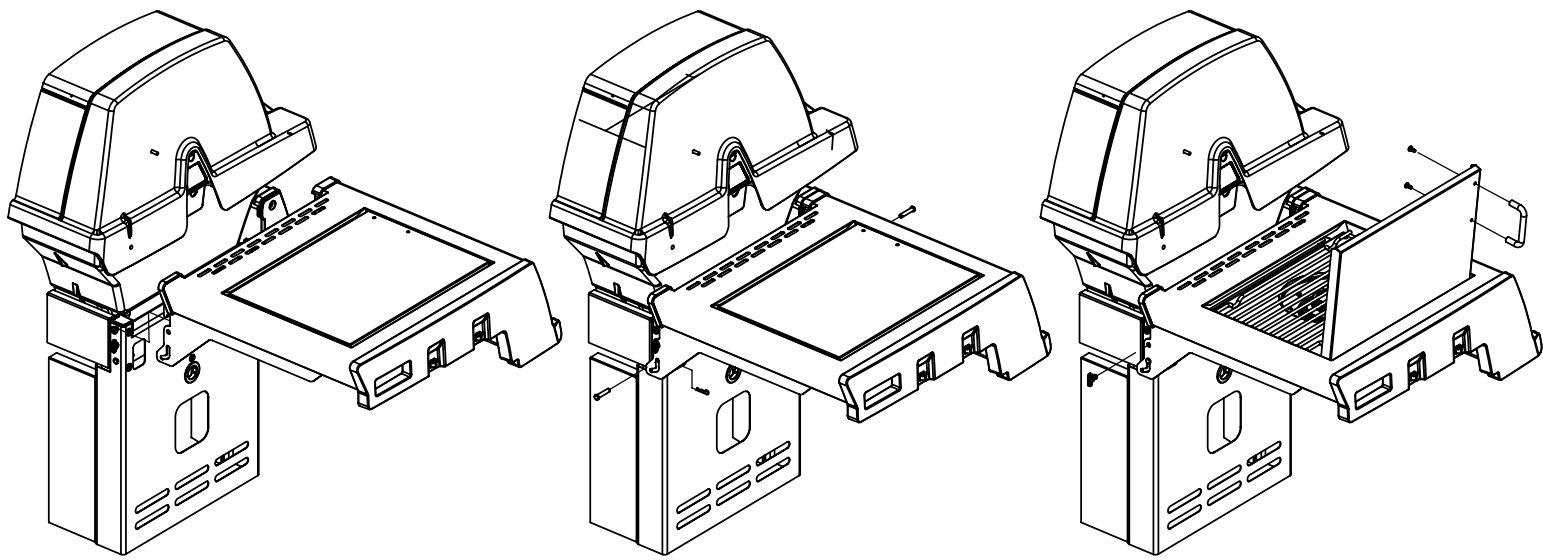
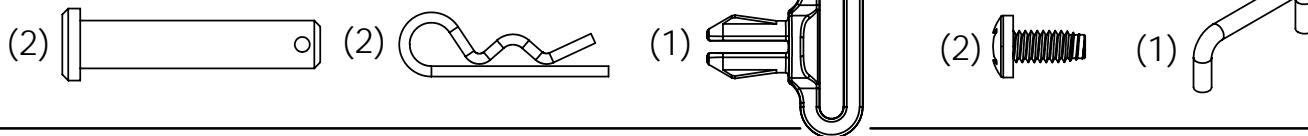


8

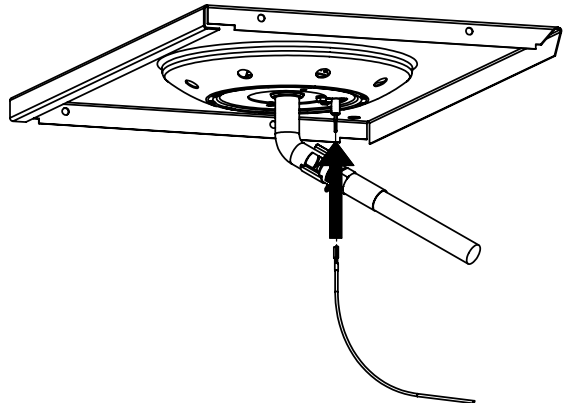
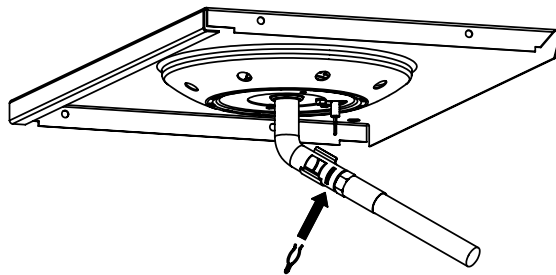
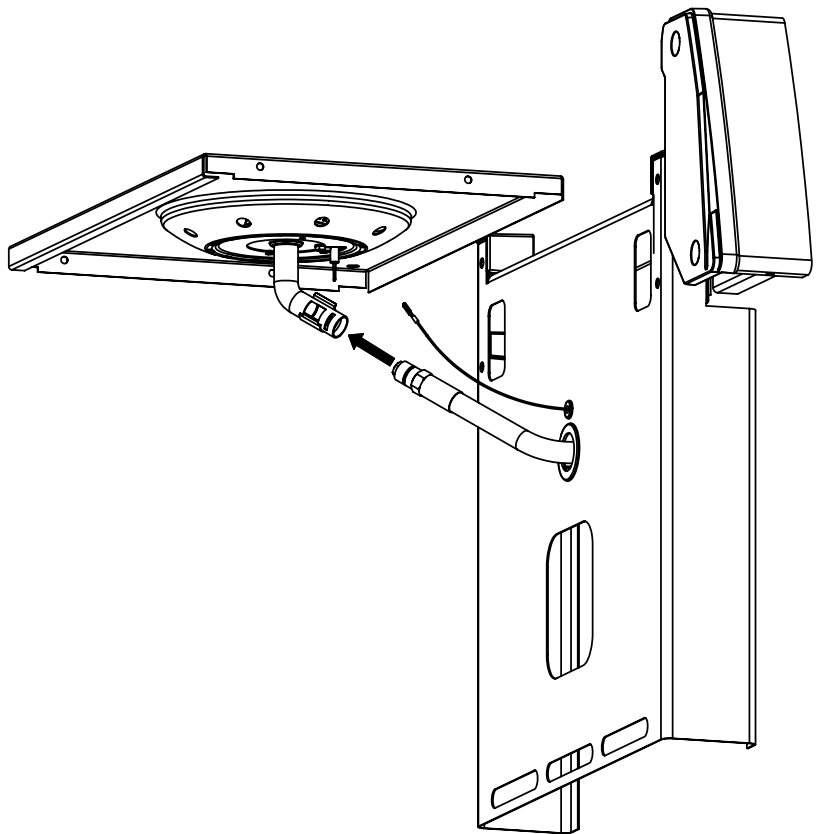
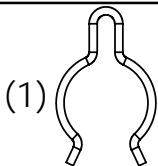
(2)  (2)  (1) 



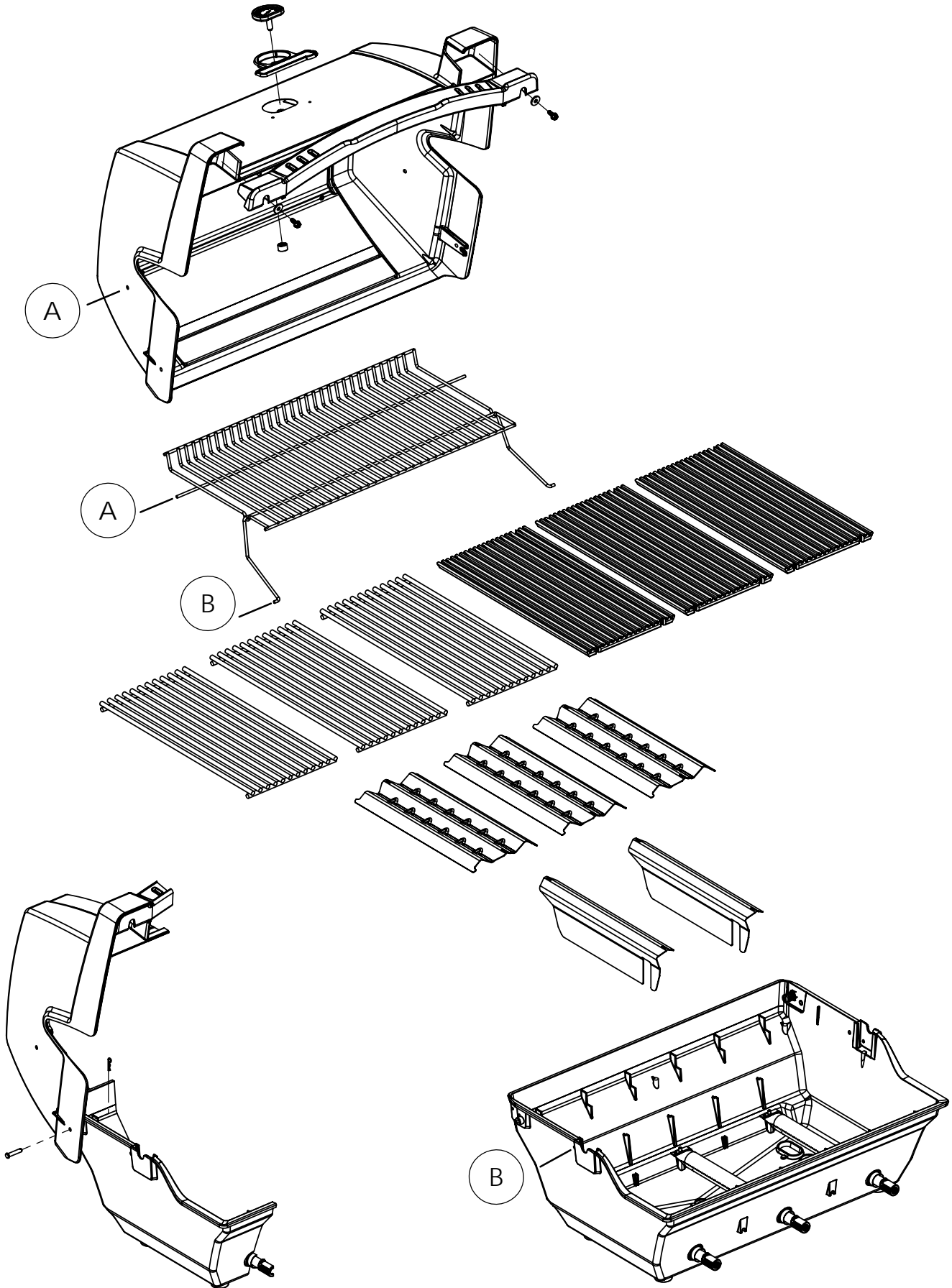
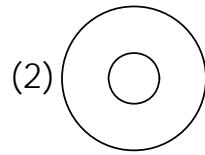
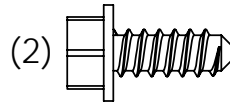
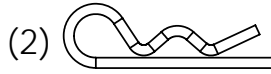
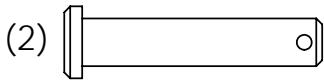
9



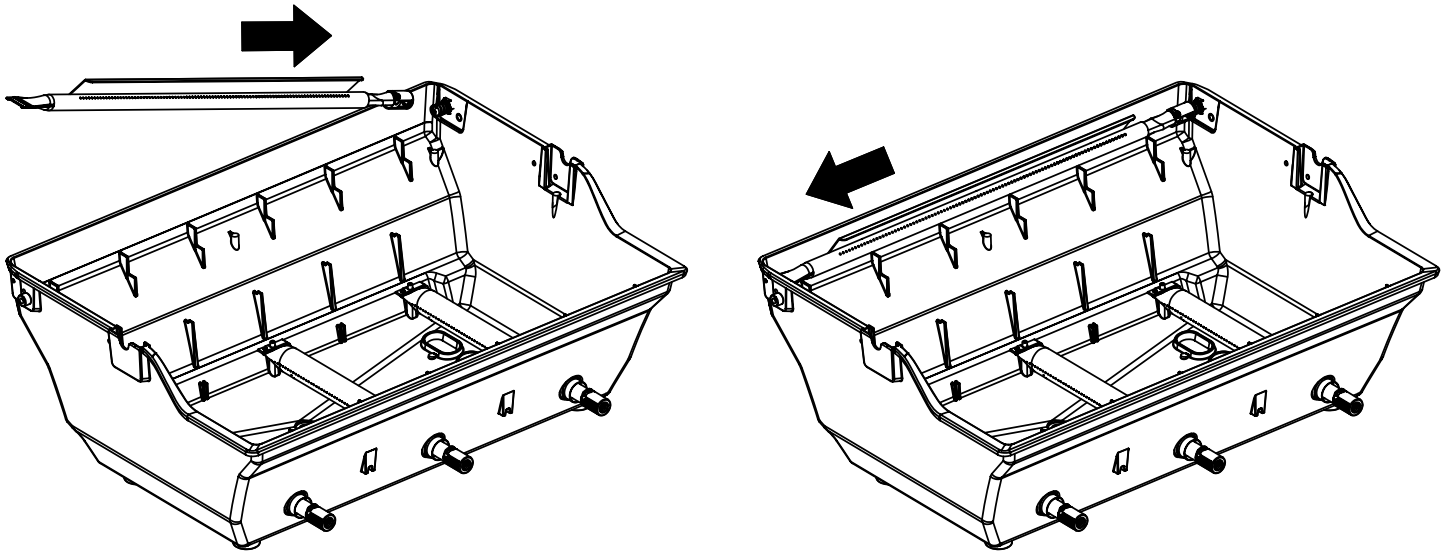
10



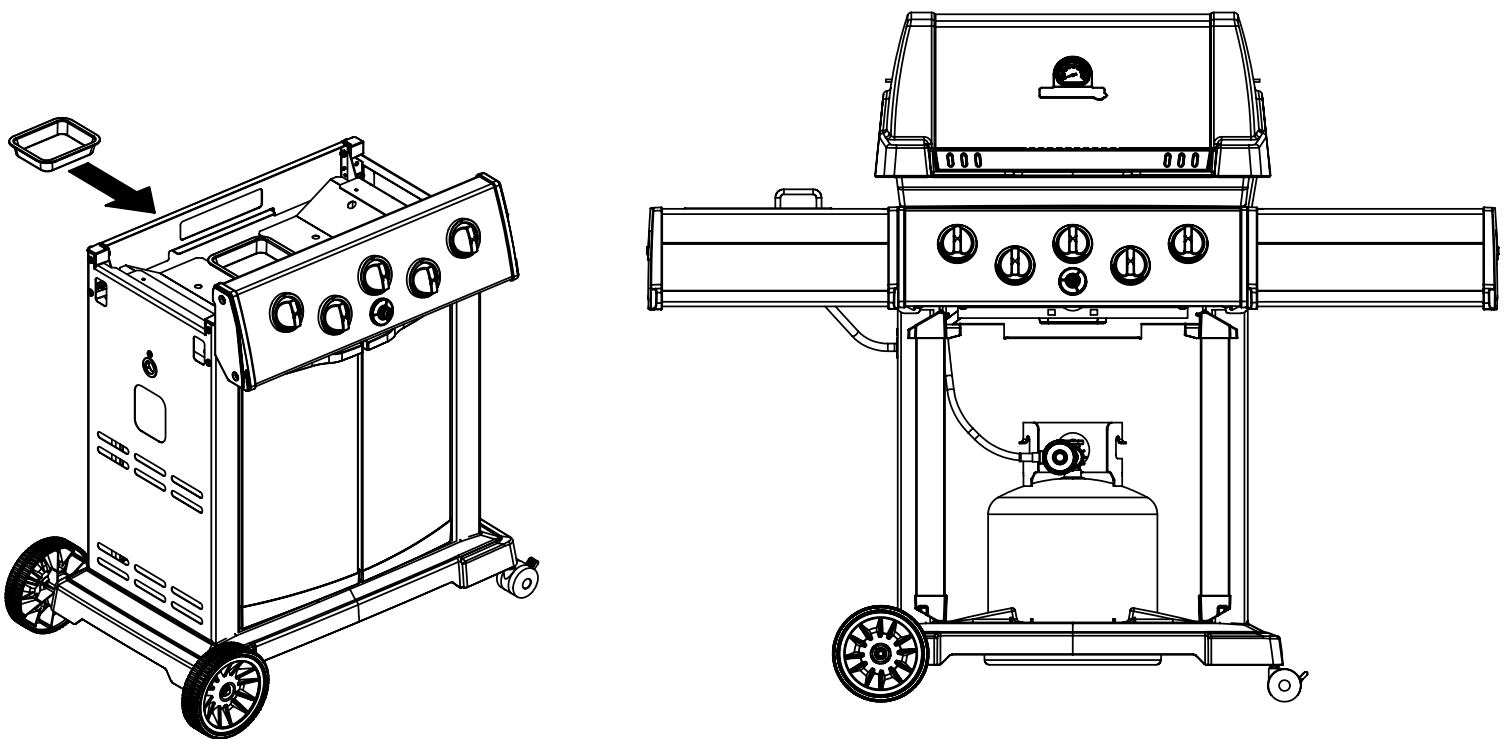
11



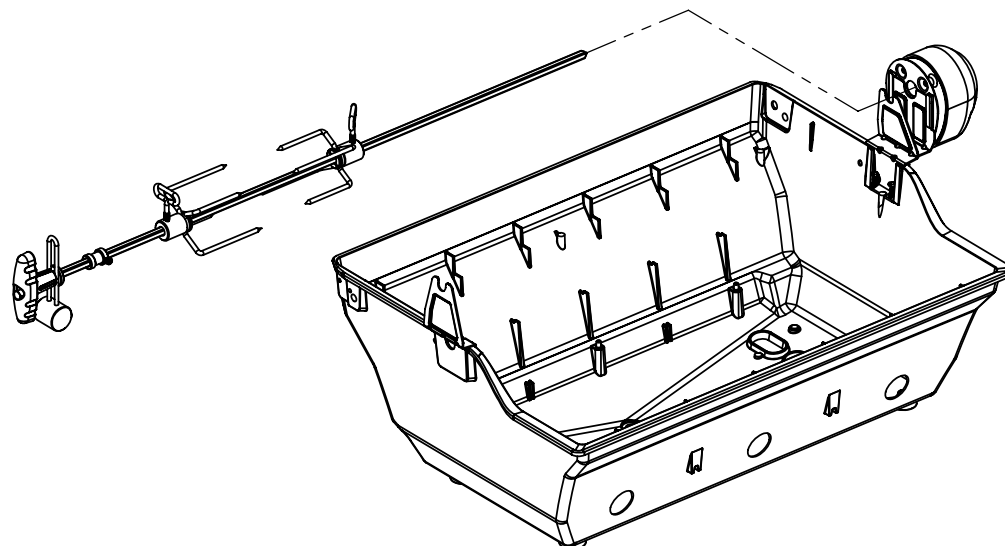
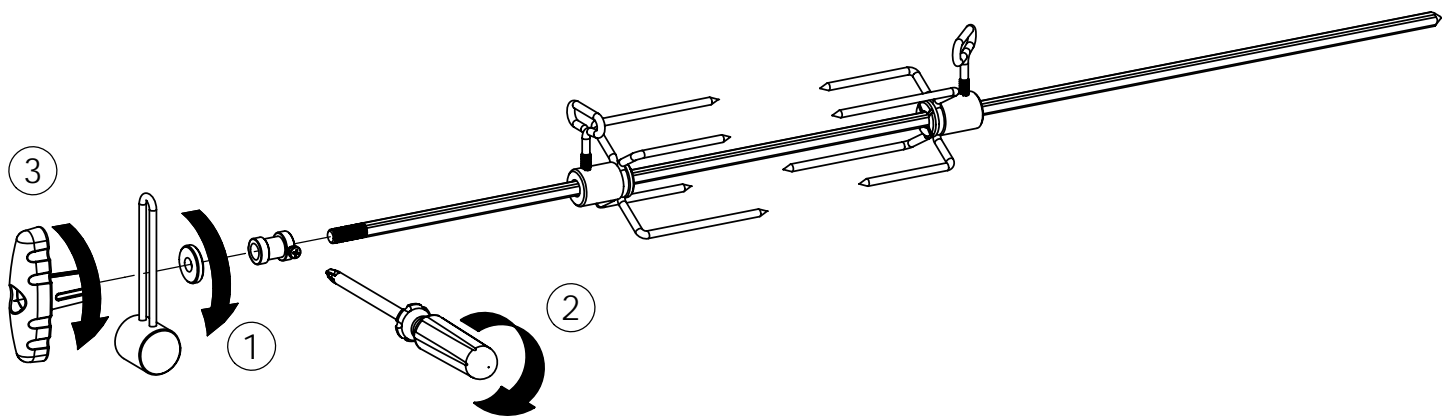
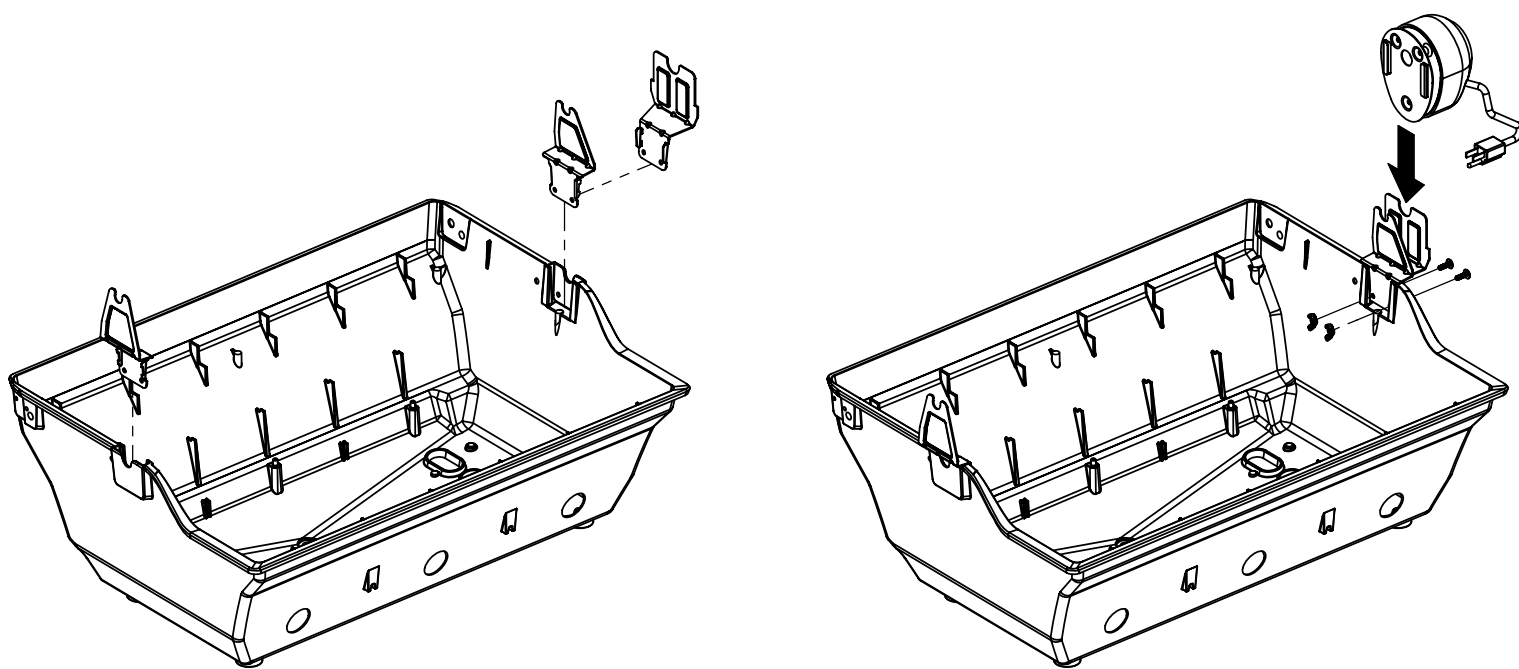
12



13



14



PARTS LIST / LISTE DES PIECES

KEY #	ITEM #	DESCRIPTION	DESCRIPTION	9867-34	9867-64C	9867-44	9867-84C	9869-84	9877-14	9877-34	9877-44	9877-64	9879-44
				9867-37	9867-67C	9867-47	9867-87C	9869-87	9877-17	9877-37	9877-47	9877-67	9879-47
49	10711-E61	CONDIMENT BIN	CASIER DE CONDIMENT	2	2	2	2	2	2	2	2	2	2
50	10711-E62	SHELF - SIDE - RIGHT	PLANCHETTE LATÉRALE – DROIT	2	1	1	1	1	2	2	1	1	1
51	10711-E63	SHELF-SIDEBURNER	PLANCHETTE – BRULEUR DE COTE	•	1	1	1	1	•	•	1	1	1
52	10184-E78	DOOR - TOP CAP - LEFT	PORTE - DESSUS - GAUCHE	1	1	1	1	1	1	1	1	1	1
53	10184-E76	DOOR - BOTTOM CAP - LEFT	PORTE - DESSOUS - GAUCHE	1	1	1	1	1	1	1	1	1	1
54	10184-E79	DOOR - TOP CAP - RIGHT	PORTE - DESSUS - DROIT	1	1	1	1	1	1	1	1	1	1
55	10184-E77	DOOR - BOTTOM CAP - RIGHT	PORTE - DESSOUS - DROIT	1	1	1	1	1	1	1	1	1	1
56	10892-7	WHEEL	ROUE	2	2	2	2	2	2	2	2	2	2
60	10711-E47	END CAP - SHELF - RIGHT	MONTURE D'EMBOUT	1	1	1	1	1	1	1	1	1	1
61	10711-E43	EDGE CAP - SHELF - RIGHT REAR	PAC DE BORD	1	1	1	1	1	1	1	1	1	1
62	10711-E45	EDGE CAP - SHELF - RIGHT FRONT	PAC DE BORD	1	1	1	1	1	1	1	1	1	1
63	10711-E48	END CAP - SHELF - LEFT	MONTURE D'EMBOUT	1	1	1	1	1	1	1	1	1	1
64	10711-E44	EDGE CAP - SHELF - LEFT REAR	PAC DE BORD	1	1	1	1	1	1	1	1	1	1
65	10711-E46	EDGE CAP - SHELF - LEFT FRONT	PAC DE BORD	1	1	1	1	1	1	1	1	1	1
66	S13005	BURNER ROTISSERIE	BRULEUR A ROTISS	1	•	1	1	1	•	•	•	•	•
	S13015	BURNER ROTISSERIE	BRULEUR A ROTISS	•	•	•	•	•	•	1	1	•	1
68	S21362	SPRING	RESSORT	1	•	1	1	1	•	1	1	•	1
70	Y-11990	HEX NUT	ECROU	1	•	1	1	1	•	1	1	•	1
71	10696-109	REARBURNER-ORIFICE LP	ORIFICE DU BRULEUR ARRIERE PL	1	•	1	1	1	•	•	•	•	•
	10696-127	REARBURNER-ORIFICE LP	ORIFICE DU BRULEUR ARRIERE PL	•	•	•	•	•	•	1	1	•	1
	10696-160	REARBURNER-ORIFICE NG	ORIFICE DU BRULEUR ARRIERE GN	1	•	1	1	1	•	•	•	•	•
	10696-185	REARBURNER-ORIFICE NG	ORIFICE DU BRULEUR ARRIERE GN	•	•	•	•	•	•	1	1	•	1
73	S21420	PUSH NUT	POUSSE ECROU	2	2	2	2	2	2	2	2	2	2
74	S21084	SCREW - #14 x 3/4	VIS - #14 x 3/4	10	10	10	10	10	10	10	10	10	10
75	10338-400	HANDLE	POIGNÉE	1	1	1	1	1	1	1	1	1	1
75A	10184-E701	STRAP - HANDLE	COURROIE - POIGNÉE	•	1	•	1	•	•	•	•	•	•
	10184-E702	STRAP - HANDLE	COURROIE - POIGNÉE	1	•	1	•	•	•	•	•	•	•
	10184-E703	STRAP - HANDLE	COURROIE - POIGNÉE	•	•	•	•	•	1	1	1	1	1
	10184-E705	STRAP - HANDLE	COURROIE - POIGNÉE	•	•	•	•	1	•	•	•	•	•
76	S21255	WASHER	RONDELLE	2	2	2	2	2	2	2	2	2	2
78	10892-15	CASTOR	ROULETTES	2	2	2	2	2	2	2	2	2	2
79	Y-11561	BOLT – 1/4:20 x 1 3/4	BOULON - 1/4:20 X 1 3/4	8	8	8	8	8	8	8	8	8	8
80	Y-11546	SCREW- 1/4-20 X 5/8	VIS – 1/4-20 X 5/8	4	4	4	4	4	4	4	4	4	4
81	Y-12860	SCREW – 1/4-20 X 1 3/8	VIS – 1/4-20 X 1 3/8	4	4	4	4	4	4	4	4	4	4
82	Y-12673	SHELF - LOCK PIN	ÉTAGERE - GOUPILLE DE SERRURE	2	2	2	2	2	2	2	2	2	2
82A	Y-12855	BOLT- 1/4-20 X 3/8	BOULON – 1/4-20 X 3/8	2	2	2	2	2	2	2	2	2	2
83	Y-12310	BOLT- 1/4-20 X 3/4	BOULON – 1/4-20 X 3/4	6	6	6	6	6	6	6	6	6	6
84	S15170	AXLE	ESSIEU	1	1	1	1	1	1	1	1	1	1
87	Y-11793	NUT- 1/4-20	ECROU – 1/4-20	20	20	20	20	20	20	20	20	20	20
88	Y-11560	BOLT – 1/4:20 x 1 1/2	BOULON - 1/4:20 X 1 1/2	4	4	4	4	4	4	4	4	4	4
96	S21125	SCREW – 8 X 1/2	VIS – 8 X 1/2	4	4	4	4	4	4	4	4	4	4
98	S21124	SCREW – 8 X 1/2	VIS – 8 X 1/2	34	34	35	35	35	33	34	35	34	35
98A	Y-12643	SCREW – 8 X 1/2	VIS – 8 X 1/2	12	12	12	12	12	12	12	12	12	12
99	Y-12646	SCREW – SHOULDER 8 X 1/2	VIS – 8 X 1/2	•	2	2	2	2	•	•	2	2	2
104	Y-12835	SCREW – 6-32 X 1/4	VIS – 6-32 X 1/4	•	2	2	2	2	•	•	2	2	2
105	Y-29307	NUT – 10-24	ECROU – 10-24	•	4	4	4	4	•	•	4	4	4
108	PB20-60	LID HANDLE	POIGNEE	•	1	1	1	1	•	•	1	1	1
109	S21136	SCREW – 8-32 X 3/8	VIS – 8-32 X 3/8	•	2	2	2	2	•	•	2	2	2
110	10225-T10	GRID	GRILLE	•	1	1	1	1	•	•	1	1	1
111	10390-E10	SIDE BURNER	BRULEUR DE COTE	•	1	1	1	1	•	•	1	1	1
113	10342-T16	ELECTRODE – SIDE BURNER	ELECTRODE – BRULEUR DE COTE	•	1	1	1	1	•	•	1	1	1
114	10393-K40	COVER-SIDE BURNER	COUVERCLE LATÉRAL	•	1	1	1	1	•	•	1	1	1
115	Y-29304	SCREW – 10-24 X 3/8	VIS– 10-24 X 3/8	•	4	4	4	4	•	•	4	4	4
117	10393-R50	SHELF-SIDE BURNER	SUPPORT DE BRULEUR DE COTE	•	1	1	1	1	•	•	1	1	1
123	S15115	GREASE PAN - DISPOSABLE	CUVETTE A GRAISSE	1	1	1	1	1	1	1	1	1	1
125	Y-12220	BUSHING	DOUILLE	•	1	1	1	1	•	•	1	1	1
135	Y-12119	BUSHING	DOUILLE	2	3	3	3	3	2	2	3	3	3
136	10184-E43	ROTISSERIE SHIELD	BOUCLEUR DE ROTISSERIE	1	1	1	1	1	1	1	1	1	1
137	10184-E42	ROTISSERIE BRACKET	CROCHET DE ROTISSERIE	1	1	1	1	1	1	1	1	1	1
138	10184-E44	ROTISSERIE SHIELD	BOUCLEUR DE ROTISSERIE	1	1	1	1	1	1	1	1	1	1
139	S21061	WING NUT	ECROU PAPILLON	2	2	2	2	2	2	2	2	2	2
140	Y-29306	BOLT - 10-24 x 3/4	BOULON - 10-24 x 3/4	2	2	2	2	2	2	2	2	2	2
141	S15271	ROTISSERIE HANDLE	POIGNEE DE ROTISSERIE	•	•	1	1	1	•	1	1	•	1
142	S15270	ROTISSERIE COUNTER WEIGHT	CONTREPOIDS DE ROTISSERIE	•	•	1	1	1	•	1	1	•	1
143	S15263	BUSHING	COL	•	•	1	1	1	•	1	1	•	1
144	S15287	ROTISSERIE FORKS	FOURCHETTE DE ROTISSERIE	•	•	2	2	2	•	2	2	•	2
145	S15257	SPIT ROD	BROCHETTE	•	•	1	1	1	•	1	1	•	1
146	S15236	ROTISSERIE MOTOR	MOTEUR DE ROTISSERIE	•	•	1	1	1	•	1	1	•	1
147	S15299	WASHER	RONDELLE	•	•	1	1	1	•	1	1	•	1

