

This Owner's Manual is provided and hosted by [Appliance Factory Parts](#).



# Broil King 9878-17 Owner's Manual

[Shop genuine replacement parts for Broil King 9878-17](#)



[Find Your Broil King Grill Parts - Select From 1350 Models](#)

----- Manual continues below part list -----

## Available Replacement Parts for Broil King 9878-17

<a href="#">18013</a>	LARGE PROBE HEAT INDICATOR
<a href="#">10081-BK630</a>	NAMEPLATE HI BROIL KING BLACK ZINC
<a href="#">10240-15</a>	HINGE PIN SIDE SHELF DROP DOWN
<a href="#">S21237</a>	HINGE PIN SPACER
<a href="#">10892-15</a>	CASTER 2 1/2 INCH WHEEL KNURLED
<a href="#">S21124</a>	SCREW PHCP #8 X 12 +
<a href="#">Y-12220</a>	S/B BUSHING SB 1.375 16 HEY
<a href="#">50416</a>	SMALL DRIP PAN - 10 PACK
<a href="#">10892-931A</a>	WHEEL 7 INCH GREY WALL
<a href="#">18429</a>	FLAV R WAVE - SIGNET/SOVEREIGN
<a href="#">S15236</a>	ROTISSERIE MOTOR AC 120V
<a href="#">S15263</a>	ROTISSERIE BUSHING
<a href="#">S15299</a>	WASHER COUNTERWEIGHT ROTIS
<a href="#">S15270</a>	ROTISSERIE COUNTERWEIGHT ASSY
<a href="#">S15271</a>	ROTISSERIE HANDLE +
<a href="#">10184-e78A</a>	END CAP DOOR TOP LHS W/MAGNET
<a href="#">10184-e76</a>	END CAP DOOR BOTTOM LEFT A
<a href="#">10184-e79a</a>	END CAP DOOR TOP RHS W/MAGNET
<a href="#">10342-246</a>	IGNITOR ELECTRONIC TRIPLE +
<a href="#">10342-E400A</a>	COLLECTOR BOX ASSEMBLY
<a href="#">23000-253</a>	SIDE BURNER LID IR SS
<a href="#">23000-271</a>	SIDE BURNER BODY BASE
<a href="#">10184-E62</a>	SHELF SUPPORT BRACKET LHS +
<a href="#">10184-E63</a>	SHELF SUPPORT BRACKET RHS +
<a href="#">10958-E81</a>	BASE RESIN CABINET REV A +
<a href="#">10958-E761</a>	PANEL SIDE BLACK +
<a href="#">10958-E901</a>	PANEL REAR BLACK 21 3/4 INCH NEW 2006
<a href="#">10184-E77</a>	END CAP DOOR BOTTOM RIGHT A
<a href="#">S15170</a>	AXLE PLTD 3/8X20 5/8 CAB +
<a href="#">10184-E651</a>	SHELF SUPPORT LHS BLK

<a href="#">10184-E641</a>	SHELF SUPPORT RIGHT BLK
<a href="#">10711-E47</a>	END CAP SIDE SHELF RHS
<a href="#">10711-E43</a>	EDGE CAP SIDESHLF R REAR.034LB
<a href="#">10711-E45</a>	EDGE CAP SIDESHLF R FRNT.199LB
<a href="#">10711-E48</a>	END CAP SIDE SHELF LHS
<a href="#">10711-E44</a>	EDGE CAP SIDE SHELF LHS REAR
<a href="#">10711-E46</a>	EDGE CAP SIDE SHELF LHS FRONT
<a href="#">18629</a>	TUBE IN TUBE BURNER SIGNET/SOVEREIGN
<a href="#">10110-45</a>	TUBE 450/600 REAR BURNER
<a href="#">10472-E38</a>	CONTROL KNOB - BEZEL BLK
<a href="#">10184-E501</a>	CASTING SUPPORT L BLK
<a href="#">10184-E511</a>	CASTING SUPPORT RHS BLK
<a href="#">10696-127</a>	R/B ORIFICE LP
<a href="#">10696-185</a>	R/B ORIFICE NG 1.85MM
<a href="#">11184-E341</a>	ROTISSERIE BRACKET MOTOR
<a href="#">10184-E44</a>	ROTISSERIE BRACKET LHS (1 HOLE)
<a href="#">10909-E450</a>	CASTING BOTTOM 450 +
<a href="#">10225-E451</a>	GRID - WARMING RACK +
<a href="#">10444-E54</a>	CONTROL ASSY 52BTU 3V RB LP
<a href="#">10184-E92</a>	RADIATION SHIELD 390/400
<a href="#">10956-E591</a>	BRACE FRONT BLACK
<a href="#">S15257</a>	SPIT ROD ROTISSERIE 33 INCH
<a href="#">18529</a>	FLAV R WAVE DIVIDER - SIGNET/SOVEREIGN
<a href="#">66123</a>	grid, ci, 16.9375 x 24.9375; Kenmore.
<a href="#">11041</a>	burner, pipe, ss, 14.3125 x 1.125
<a href="#">94001</a>	heat plate, ss, 13.75 x 6.25
<a href="#">10958-e79lw</a>	DOOR SMALL LHS CABINET ASSY +
<a href="#">10184-R84</a>	CASTING BOSS EXTENSION 450 +
<a href="#">10222-E402</a>	BAFFLE SIGNET/SOVEREIGN
<a href="#">10711-E42A</a>	EDGE CAP CONTROL COVER LHS
<a href="#">10194-E433</a>	CONTROL COVER SS 3V 2.36 +
<a href="#">10342-T16</a>	WIRE ELECTRODE S/B +
<a href="#">10956-E881</a>	BRACE REAR BLACK

<a href="#">94031</a>	USE MCM909400114
<a href="#">00475</a>	heat indicator
<a href="#">10184-E211</a>	TANK COLLAR CLAMP 3B BLACK
<a href="#">10184-E201</a>	TANK STRAP 3B BLACK
<a href="#">33200</a>	get jet Orifice Drilled to #57
<a href="#">80012</a>	regulator and hose READ ADD. INFO
<a href="#">10342-245</a>	IGNITOR ELECTRONIC DUAL +
<a href="#">04831</a>	ELECTRODE WITH WIRE
<a href="#">10184-E931</a>	DOOR CATCH BRACKET - BLACK
<a href="#">10711-E84</a>	CONDIMENT BIN SS
<a href="#">S13015A</a>	BURNER TUBULAR 450 W/IGNITION
<a href="#">50502</a>	HEAVY DUTY MEAT FORKS
<a href="#">10184-E33</a>	ROTISSERIE BRACKET (2 HOLES)
<a href="#">10390-R81A</a>	SIDE BURNER ASSY
<a href="#">11151</a>	SS COOKING GRID - SOVEREIGN
<a href="#">23009-99</a>	SIDE BURNER TRIVET CI
<a href="#">17010</a>	CONTROL KNOB RESIN LRG BLACK
<a href="#">10445-E36</a>	CONTROL ASSY DUAL 5V 48BTU LP
<a href="#">10445-E37</a>	CONTROL ASSY 52BTU 3V SB/RB NG W/PIGTAIL
<a href="#">10111-K45</a>	HOSE 3/8 INCH ASSEMBLY NG 10 FOOT +
<a href="#">Y-11990</a>	NUT HEX BRASS 3/8 27 RB LINE
<a href="#">10342-E12</a>	ELECTRODE W/WIRE +
<a href="#">10342-247</a>	IGNITOR ELECTRONIC +

# Broil King®

## REDDI-BILT BARBECUES

ASSEMBLY MANUAL & PARTS LIST

MANUEL DE MONTAGE & LISTE DE PIÈCES

### Broil King

9869-54ED  
9869-57ED



### Broil King

9869-74ED  
9869-77ED



### Broil King

SOVEREIGN 20  
9878-14  
9878-17



### Broil King

SIGNET 70  
9868-74  
9878-77  
SOVEREIGN 70  
9878-34  
9878-37



### Broil King

SIGNET 90  
9868-84  
9868-87  
SOVEREIGN 90  
9878-44  
9878-47



RETAIN FOR FUTURE REFERENCE

VEUILLEZ CONSERVER POUR REFERENCE ULTERIEURE

1-800-265-2150

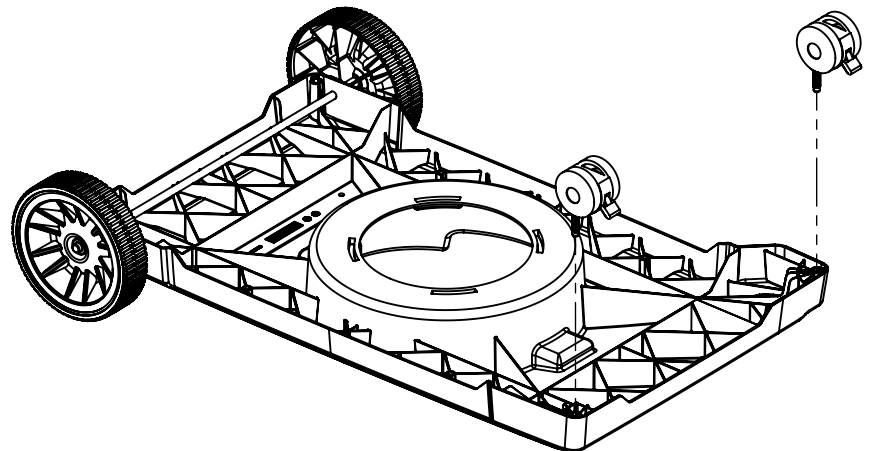
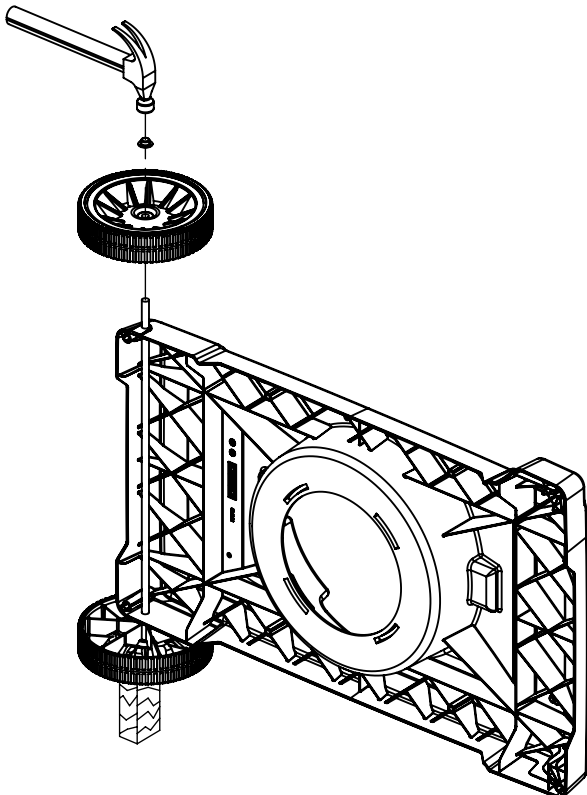
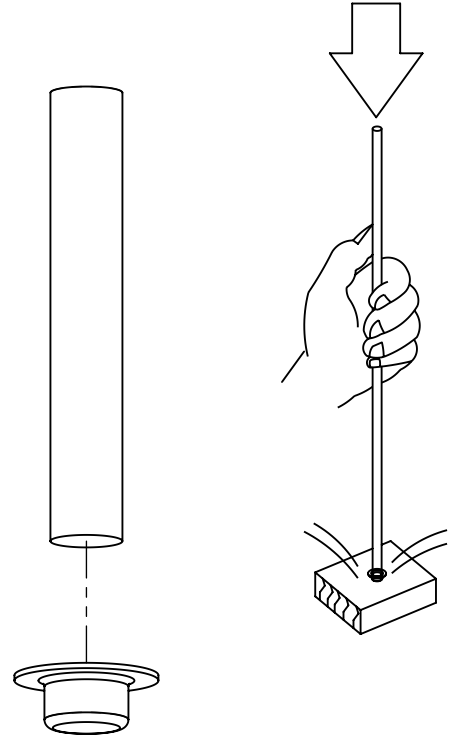
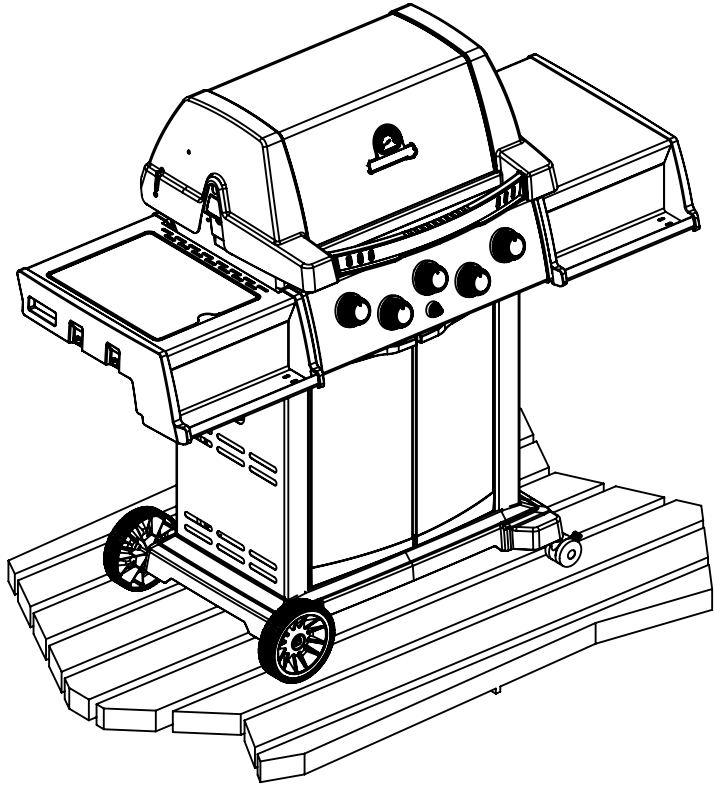
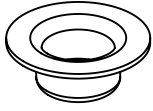
info@omcbbq.com

*Onward*  
SINCE 1906  
MANUFACTURING COMPANY LIMITED  
585 KUMPF DRIVE  
WATERLOO, ONTARIO, CANADA  
N2V 1K3

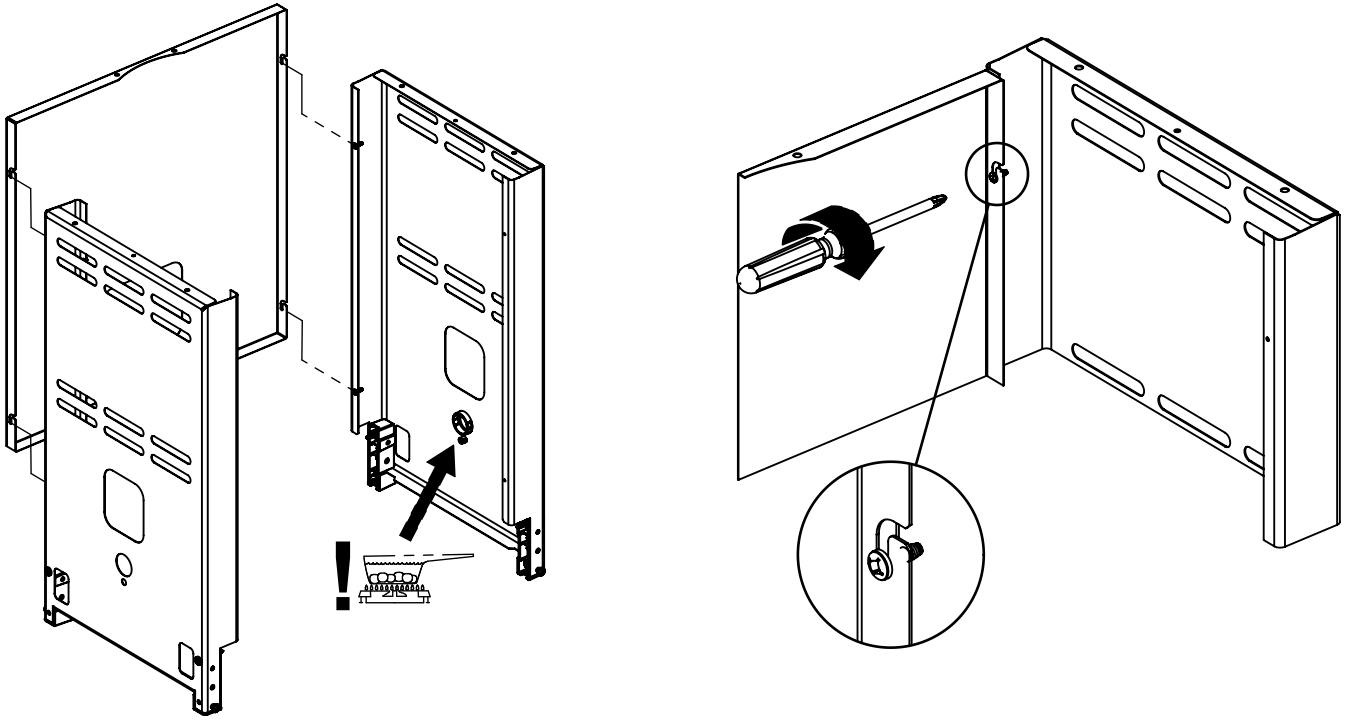
10084-E42 REV C 11/12

1

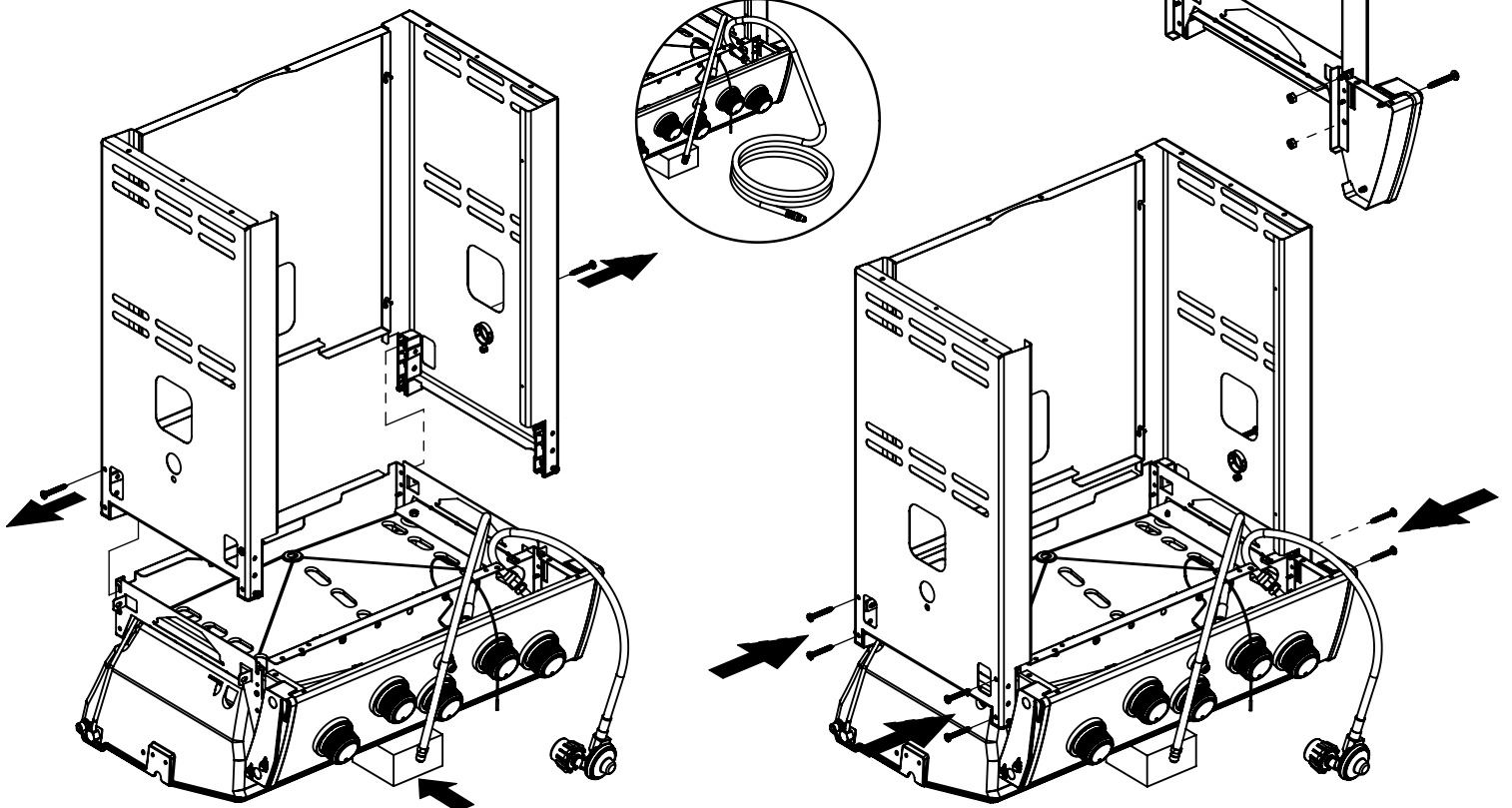
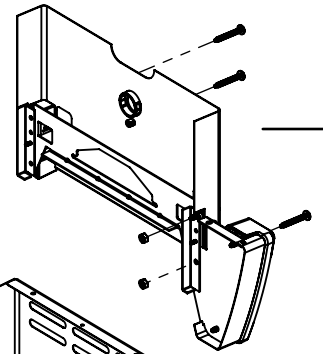
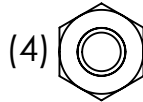
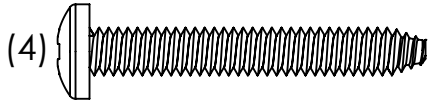
(2)



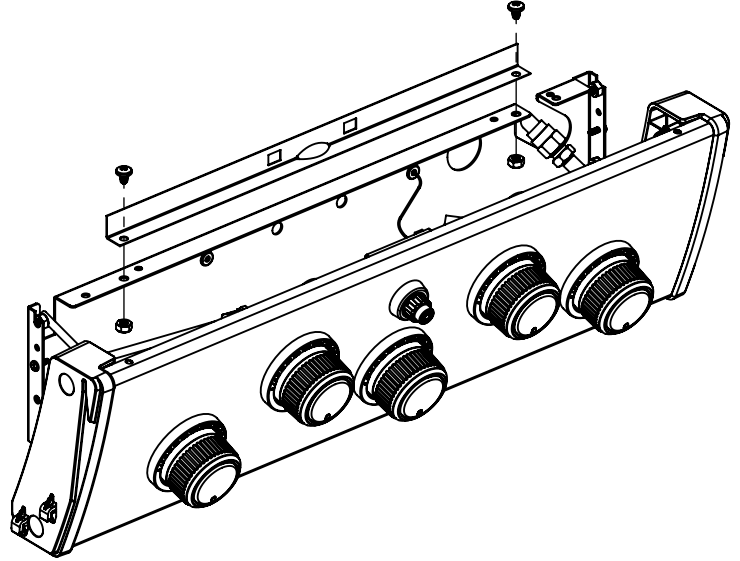
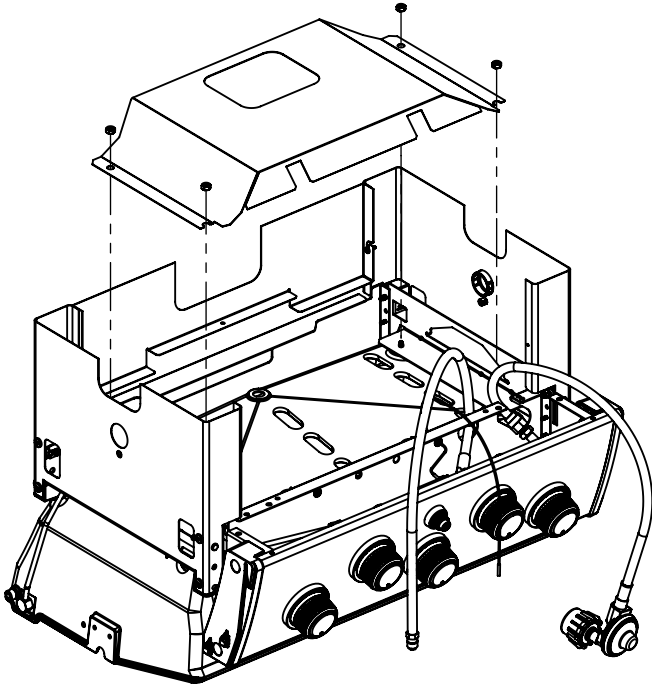
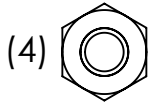
2



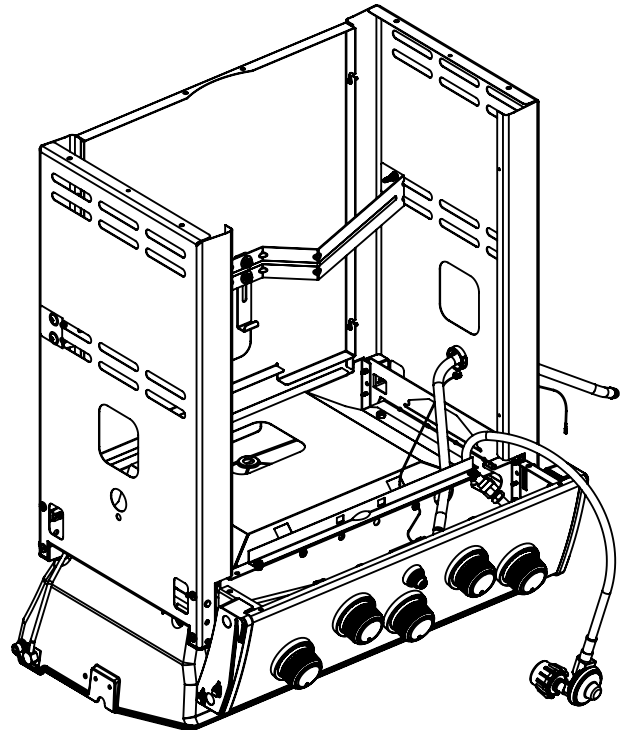
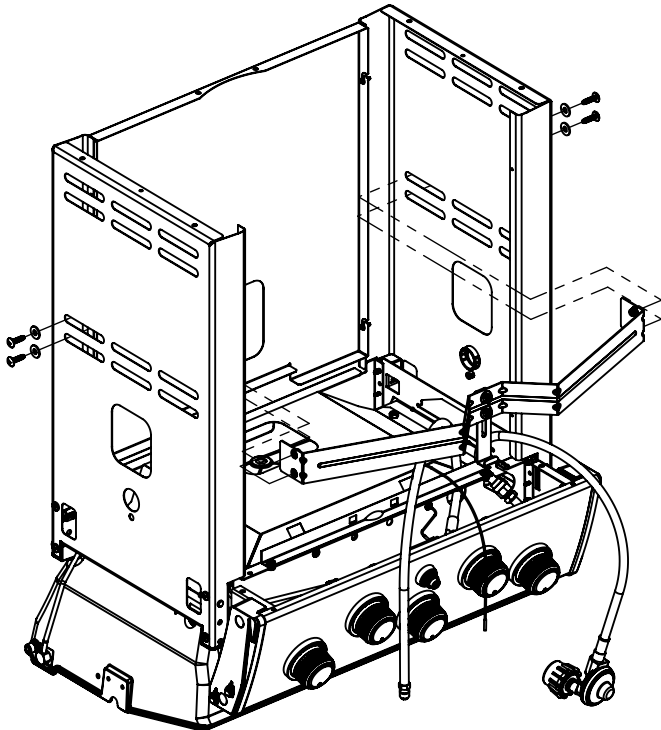
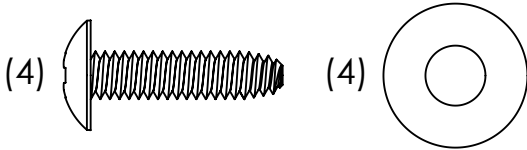
3



4

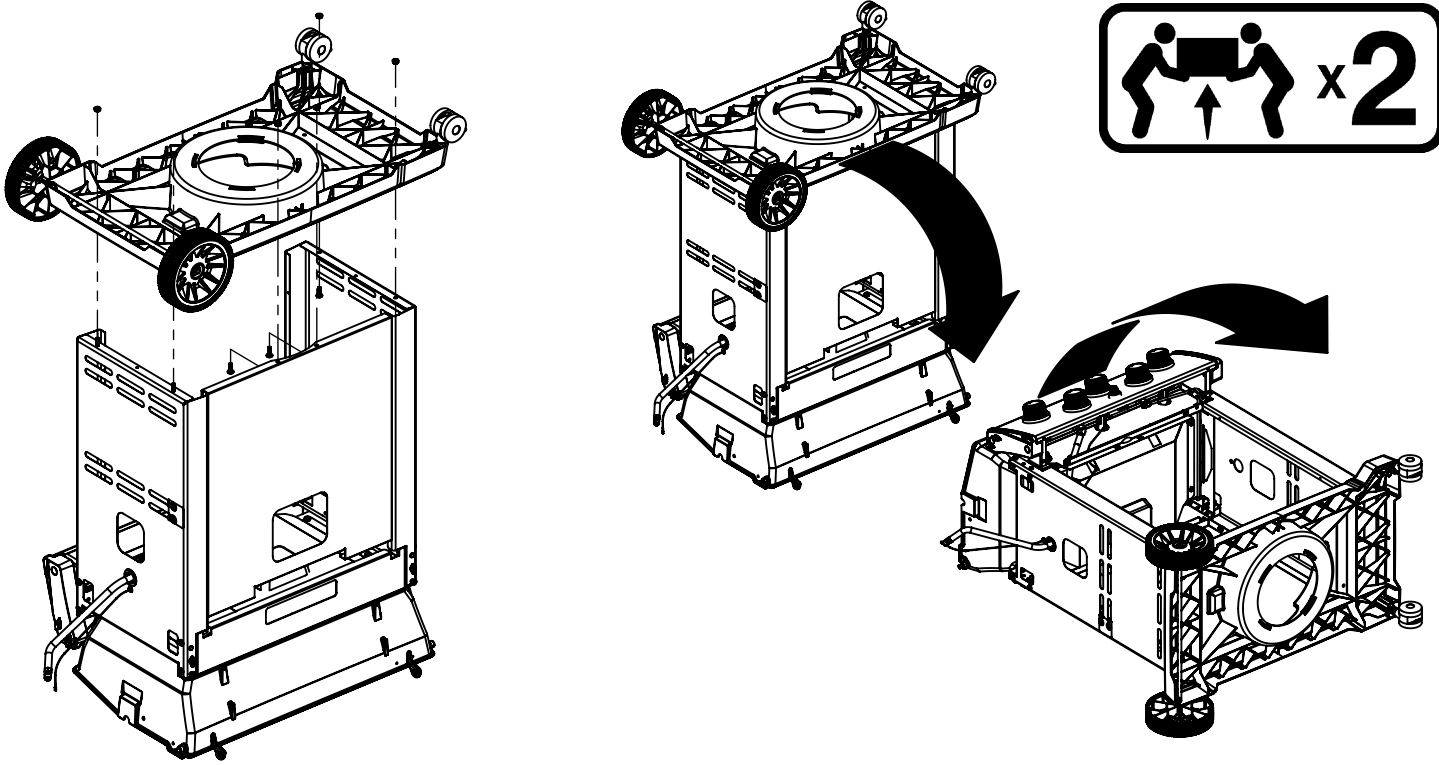
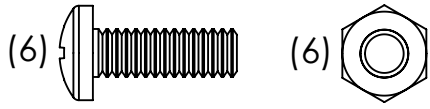


5

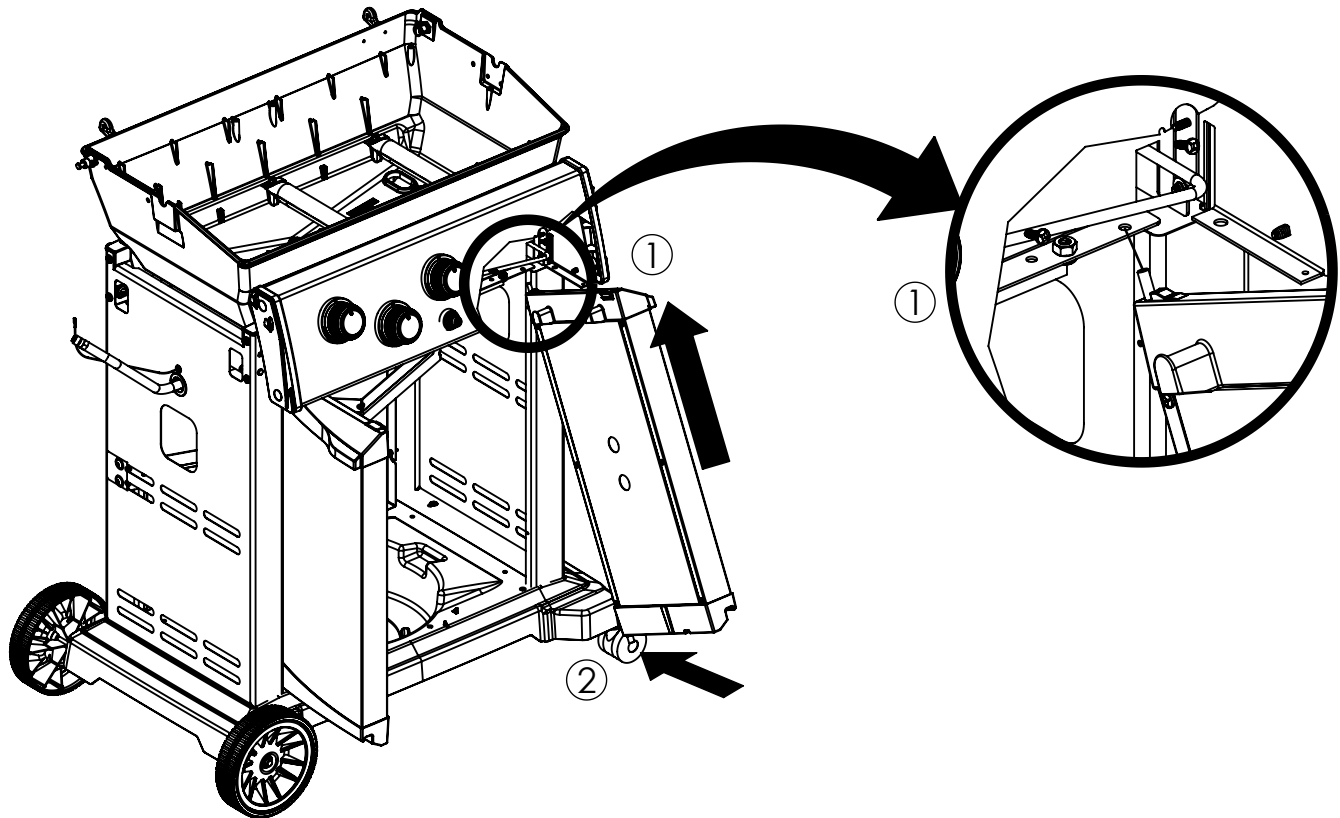




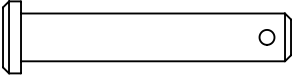
6

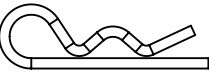


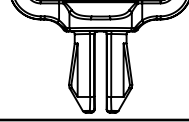
7

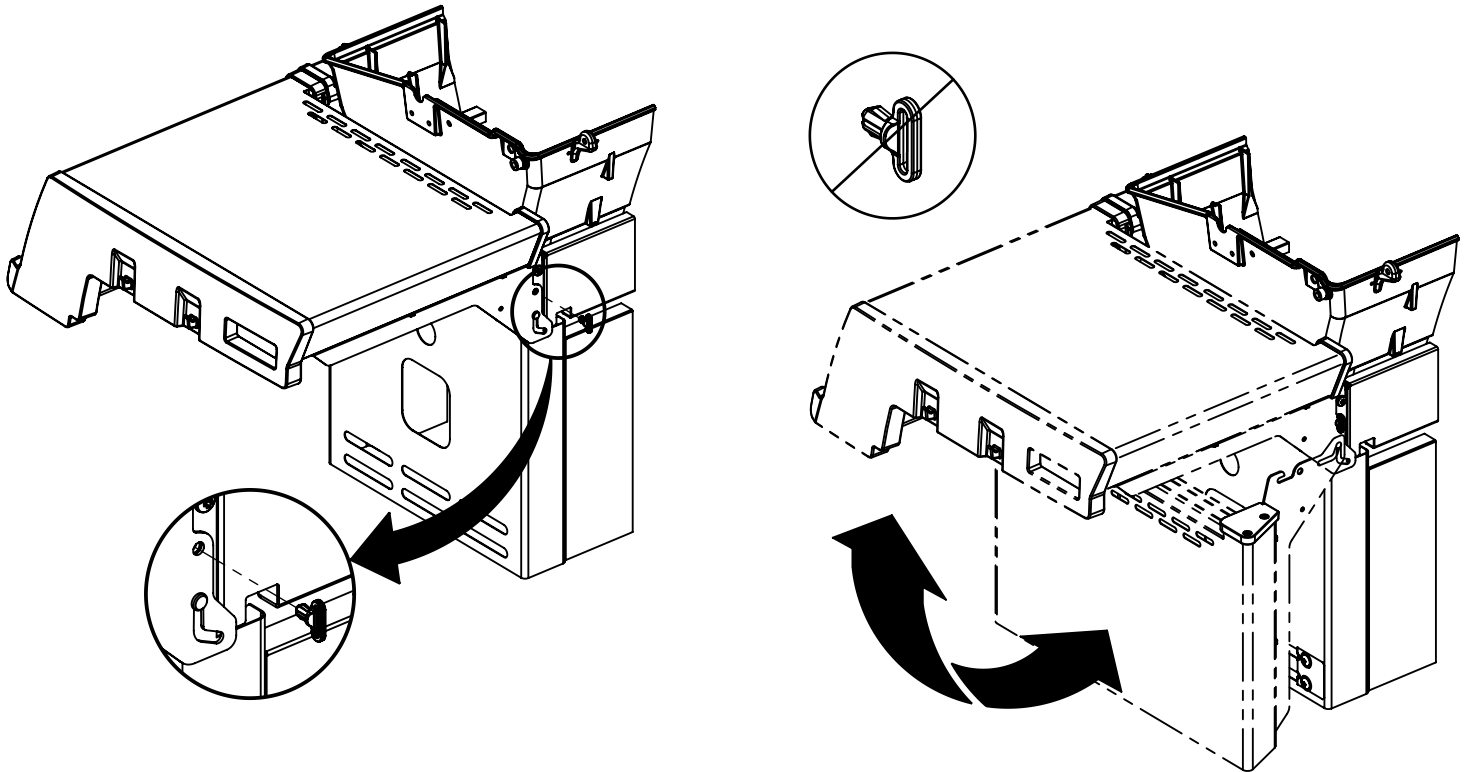
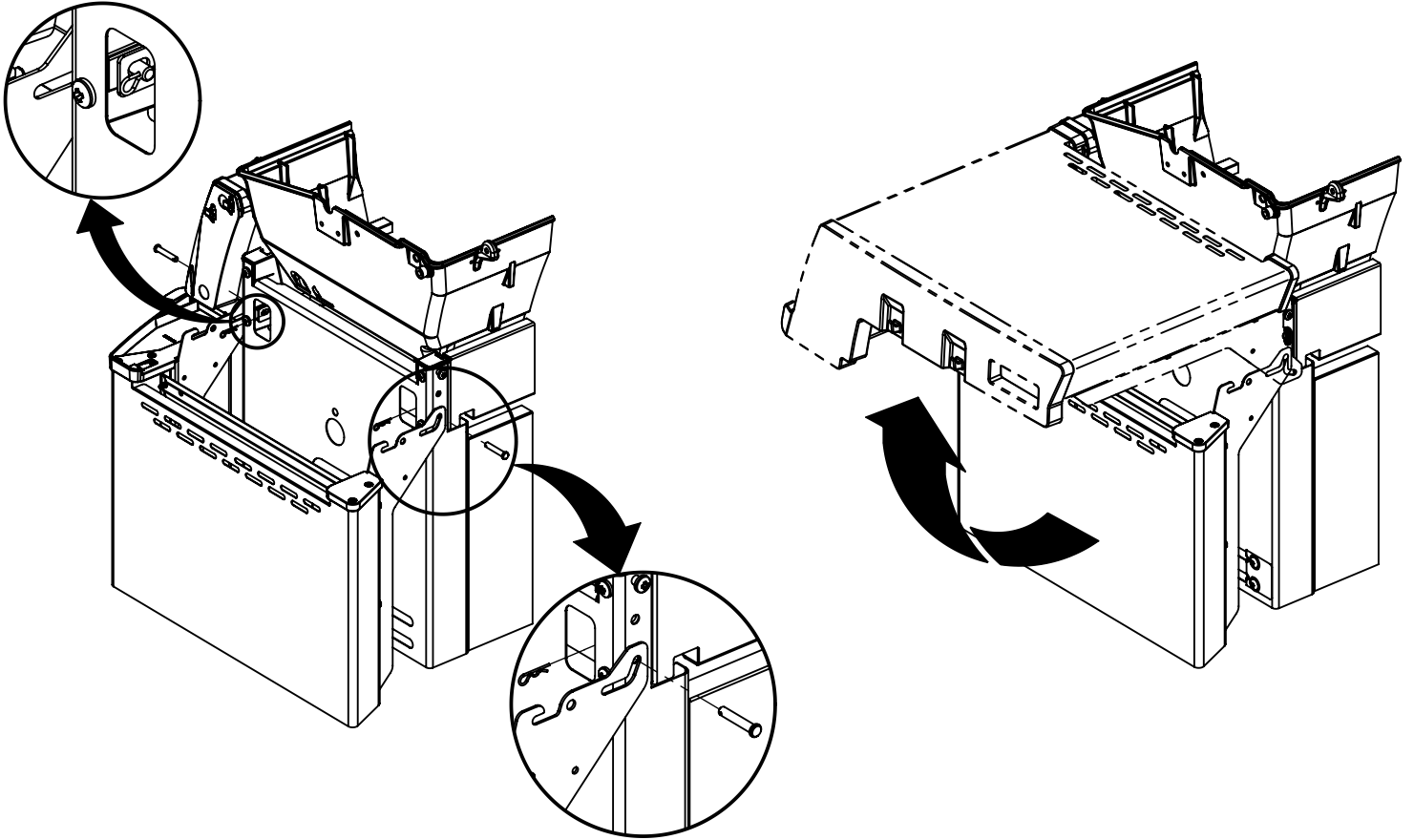


8

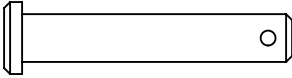
(2) 

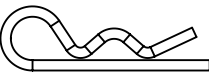
(2) 

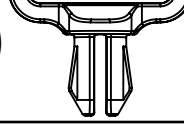
(1) 

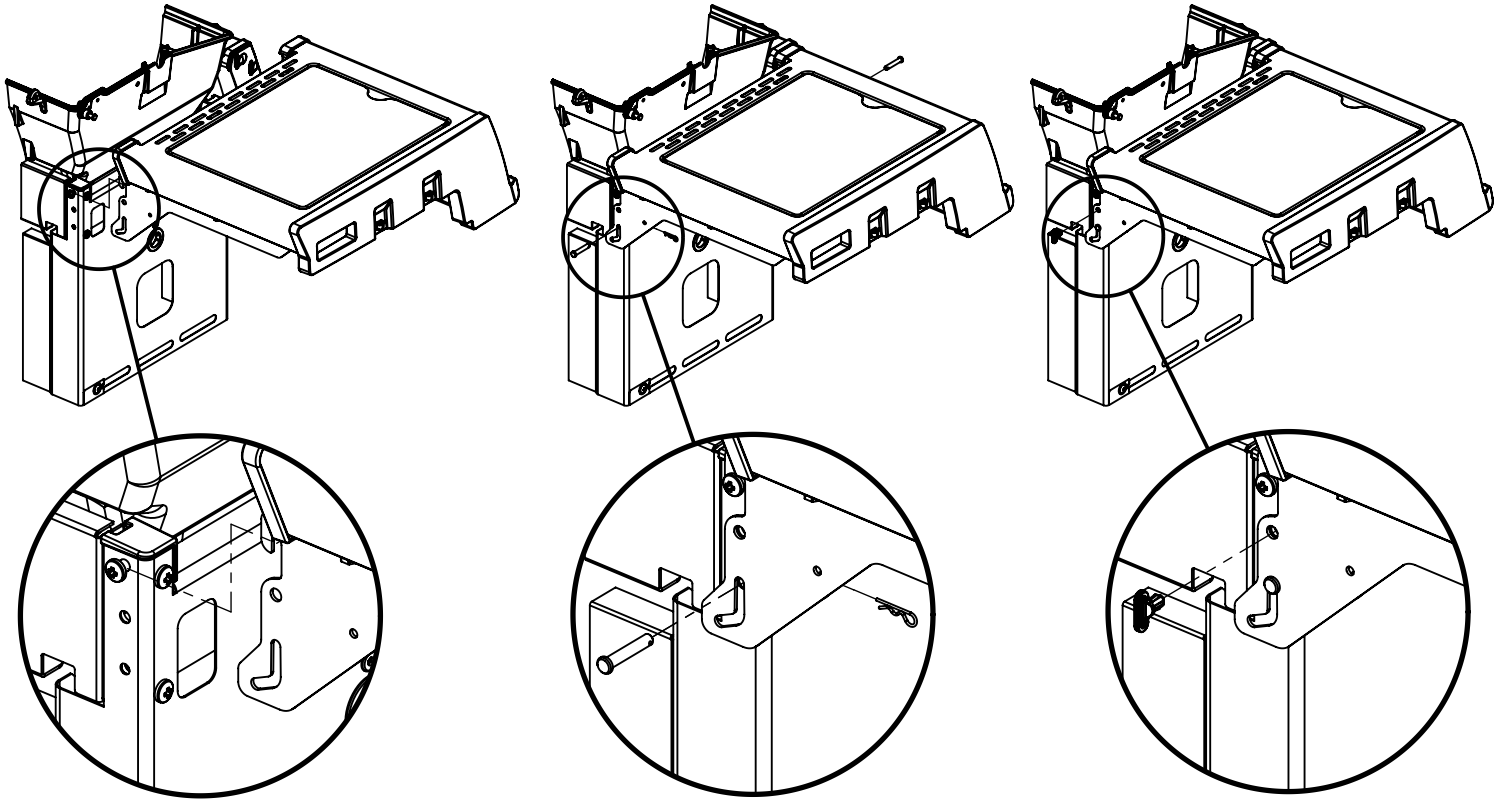


9

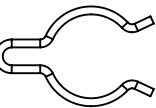
(2) 

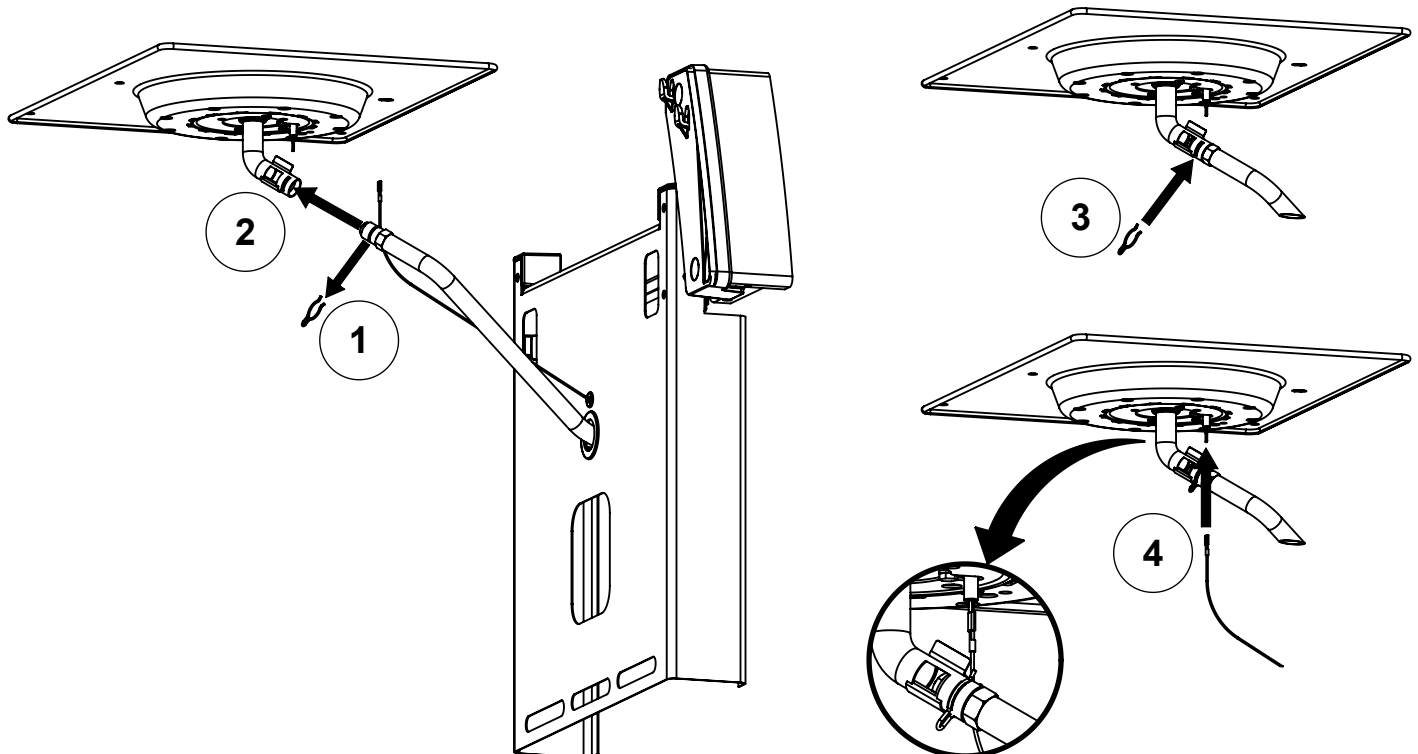
(2) 

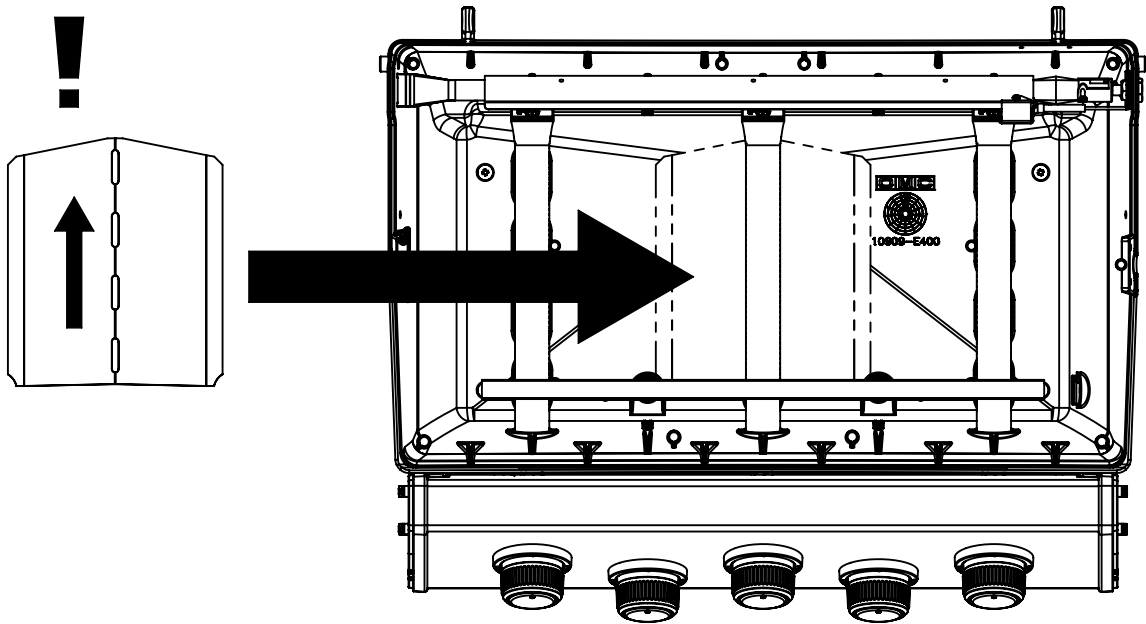
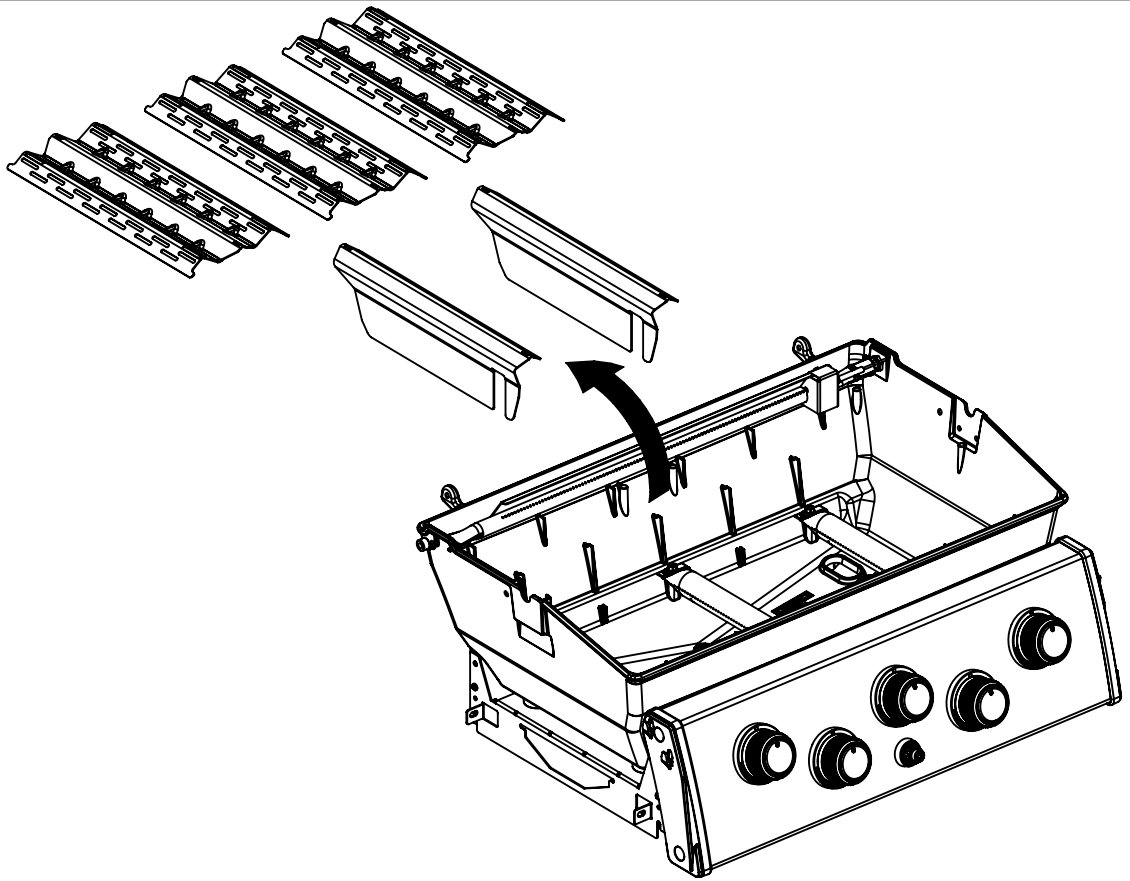
(1) 



10

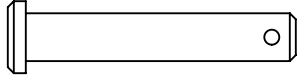
(1) 



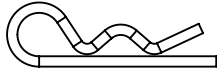


12

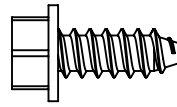
(2)



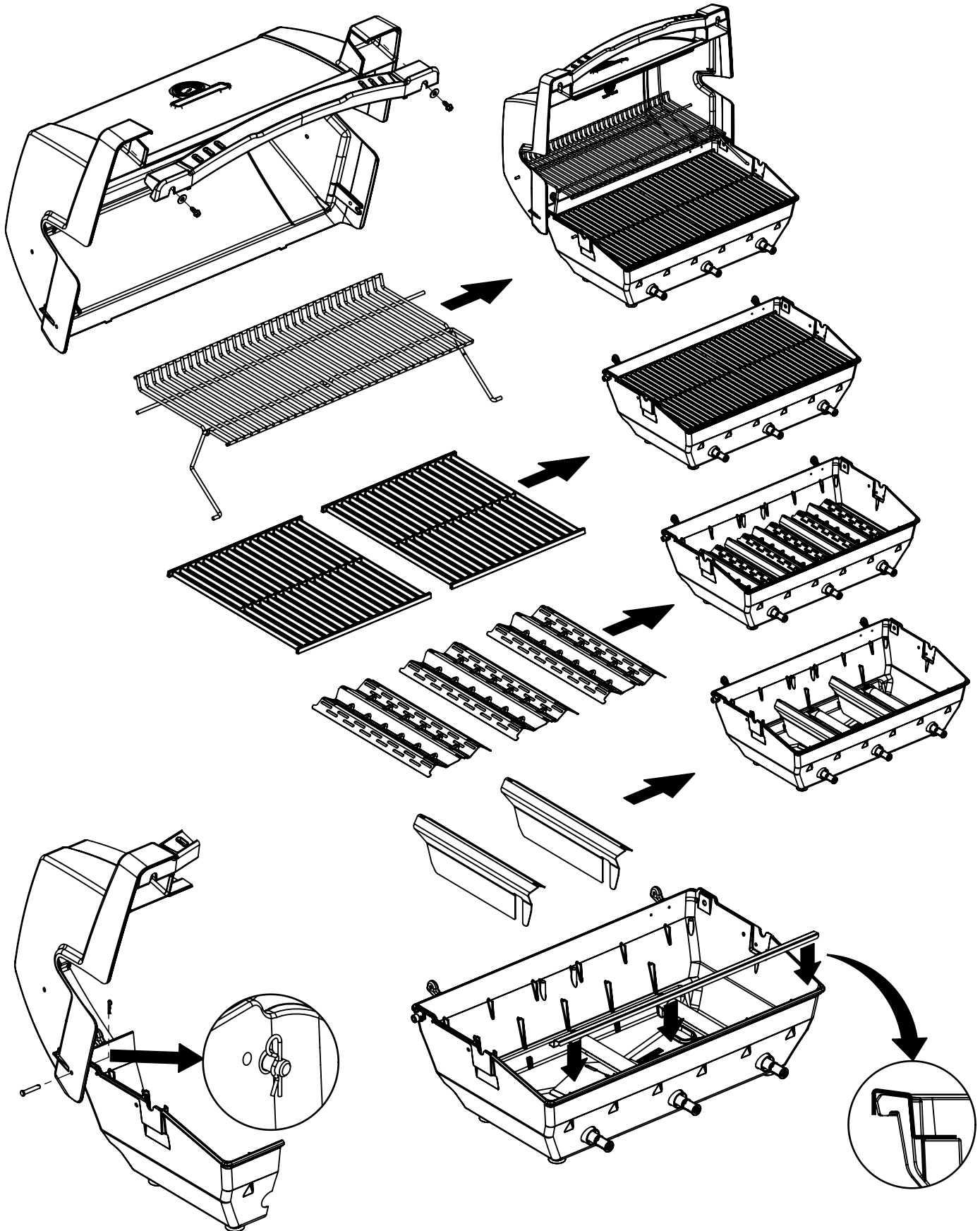
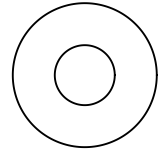
(2)



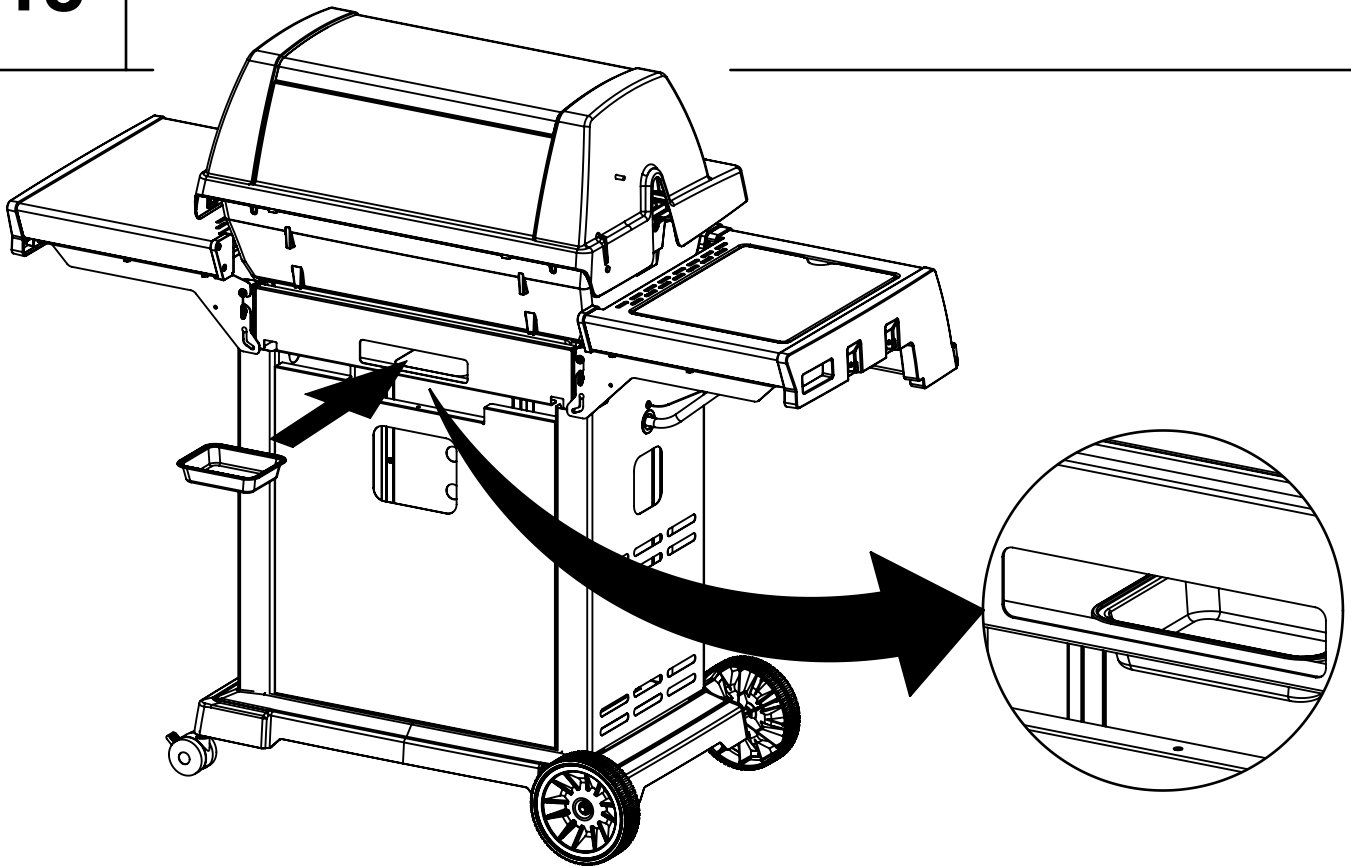
(2)



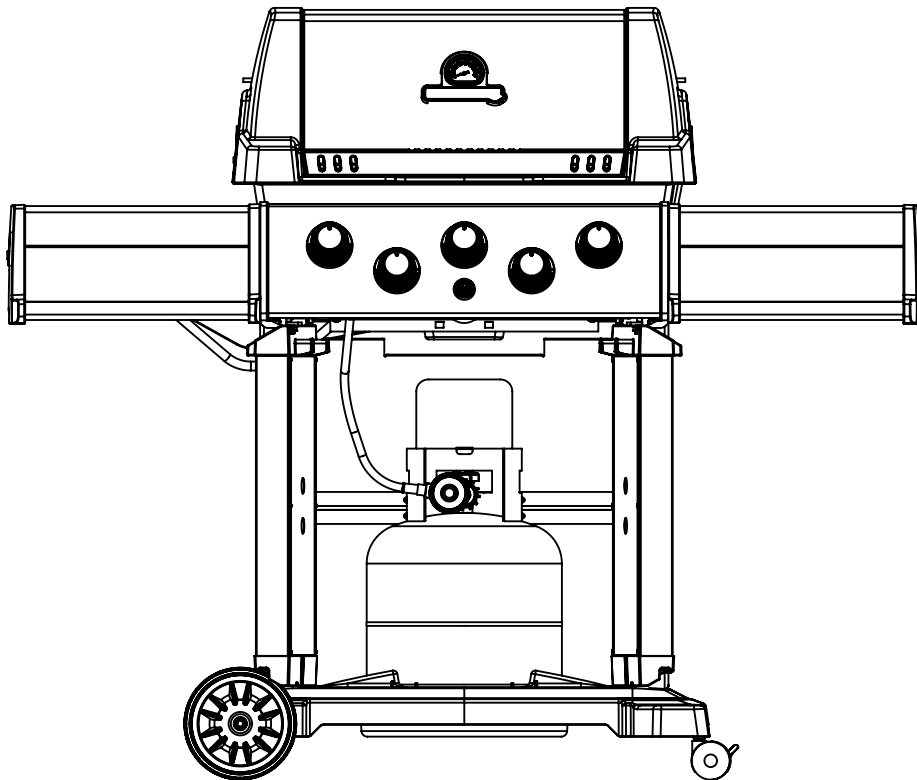
(2)



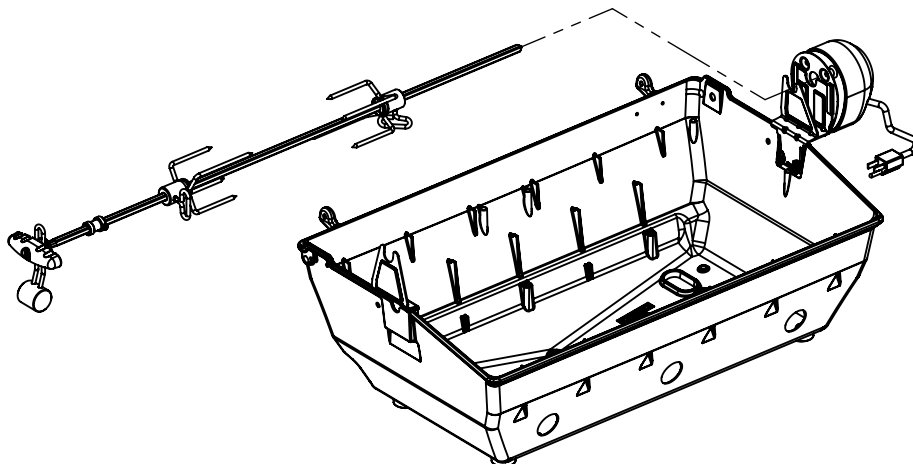
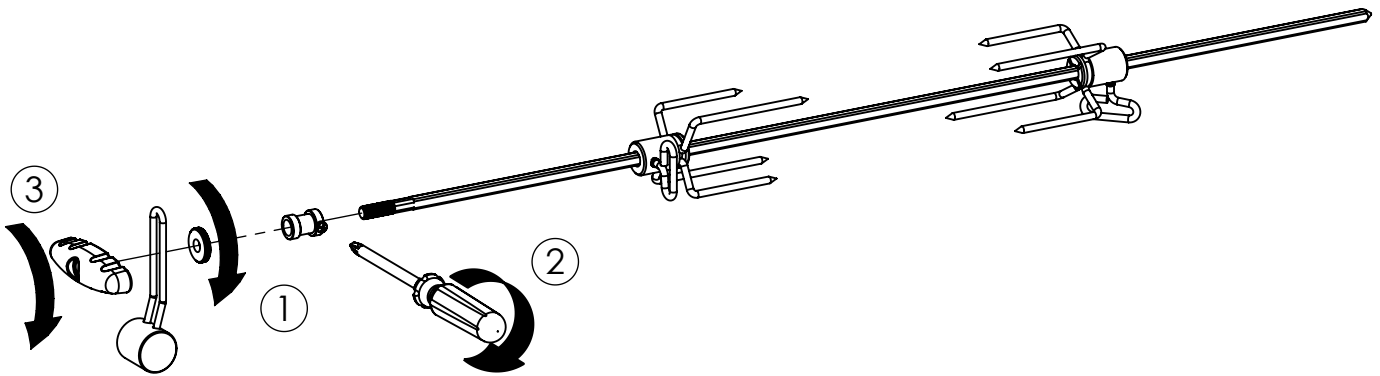
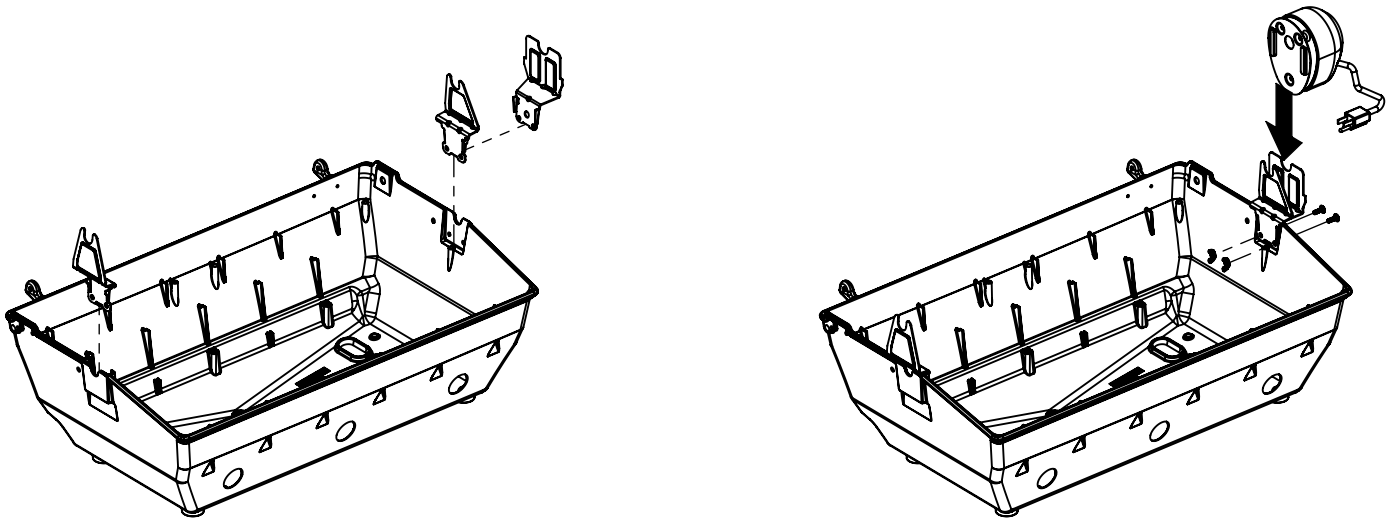
13

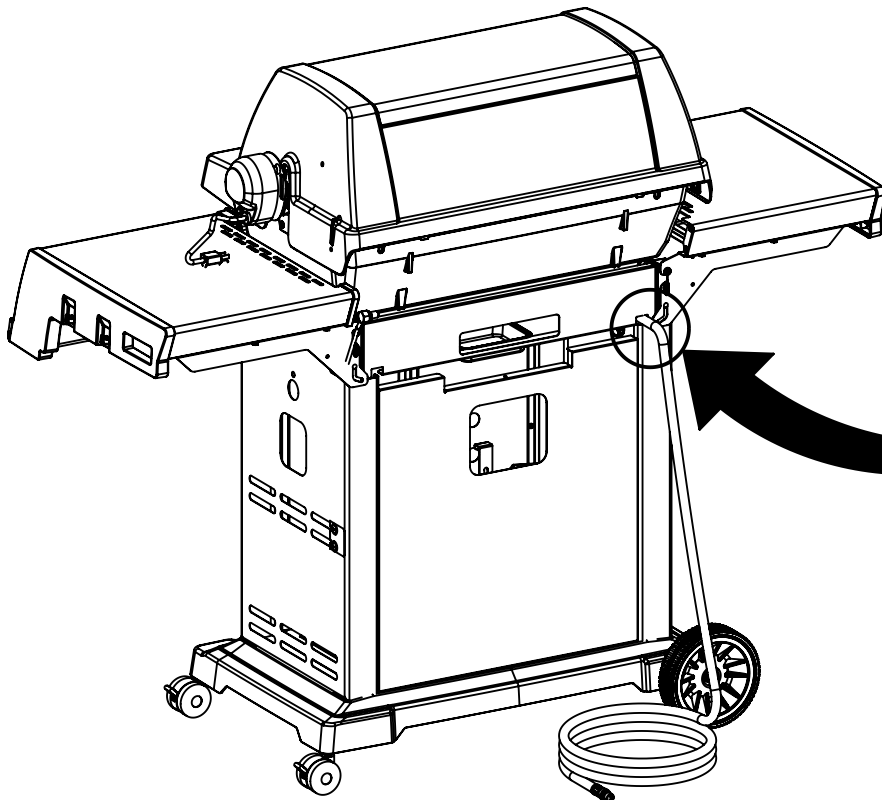
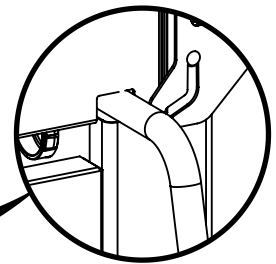
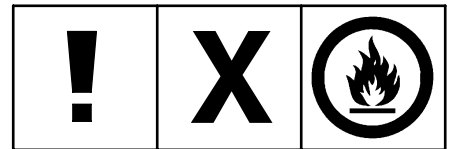
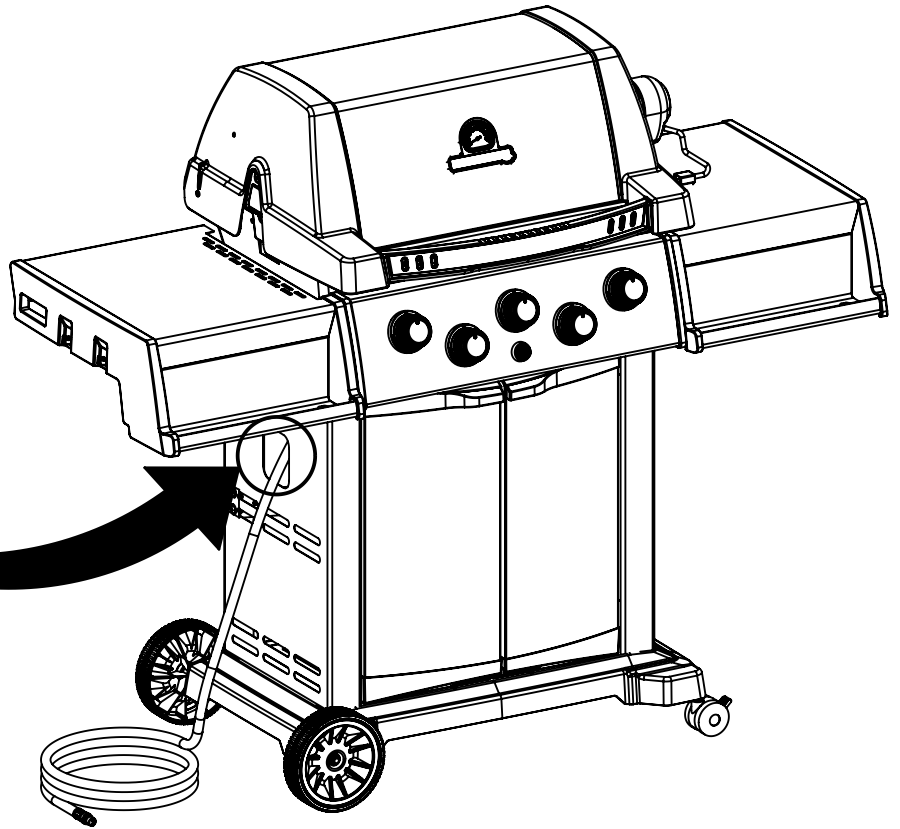
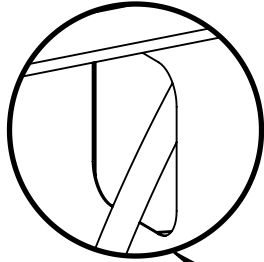
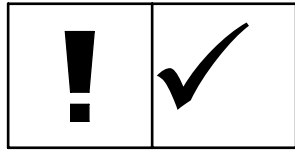


14



15







**PARTS LIST / LISTE DES PIECES**

KEY #	ITEM #	DESCRIPTION	DESCRIPTION	9869-54ED	9869-74ED	9868-74	9868-84	9878-14	9878-34	9878-44
				9869-57ED	9869-77ED	9868-77	9868-87	9878-17	9878-37	9878-47
1	10909-E400	CASTING BOTTOM	FOND DU FOYER	1	1	1	1	*	*	*
	10909-E450	CASTING BOTTOM	FOND DU FOYER	*	*	*	*	1	1	1
2	10473-E400	CASTING TOP	COUVERCLE DU GRIL	1	1	1	1	*	*	*
	10473-E450	CASTING TOP	COUVERCLE DU GRIL	*	*	*	*	1	1	1
3	10081-BK630	NAMEPLATE	PLAQUE D'IDENTIFICATION	1	1	1	1	1	1	1
4	10958-E404	TOP CASTING INSERT	PANNEAU DE COUVERCLE	1	1	1	1	*	*	*
	10958-E450	TOP CASTING INSERT	PANNEAU DE COUVERCLE	*	*	*	*	1	1	1
5	10571-6	HEAT INDICATOR	INDICATEUR DE CHALEUR	1	1	1	1	1	1	1
	10240-15	HINGE PIN	GOUPILLE DE CHARNIERE	6	6	6	6	6	6	6
6A	S21237	HINGE SPACER	ENTRETOISE DE CHARNIERE	2	2	2	2	2	2	2
7	S21233	HITCH PIN CLIP	ATTACHE DE CHEVILLE	6	6	6	6	6	6	6
9	38170121	GRID	GRILLE	2	2	*	*	*	*	*
	S12033S	GRID	GRILLE	*	*	*	*	3	3	3
	10225-T436	GRID	GRILLE	*	*	3	3	*	*	*
10	10222-E400	FLAV-R-WAVE	FLAV-R-WAVE	3	3	3	3	3	3	3
11	10225-E401	GRID - WARMING RACK	GRILLE	1	1	1	1	*	*	*
	10225-E451	GRID - WARMING RACK	GRILLE	*	*	*	*	1	1	1
12	10222-E401	DIVIDER	DIVISEUR	2	2	2	2	2	2	2
13	10184-R84	BOSS EXTENSION	CROCHET DE RALLONGEMENT	*	*	*	*	1	1	1
15	10390-E20LP	BURNER	BRÛLEUR	3/0	3/0	3/0	3/0	3/0	3/0	3/0
	10390-E20NG	BURNER	BRÛLEUR	0/3	0/3	0/3	0/3	0/3	0/3	0/3
17	10342-245	ELECTRONIC IGNITOR	ALLUMEUR ÉLECTRONIQUE	1	1	*	*	1	*	*
	10342-246	ELECTRONIC IGNITOR	ALLUMEUR ÉLECTRONIQUE	*	*	1	*	*	1	*
	10342-247	ELECTRONIC IGNITOR	ALLUMEUR ÉLECTRONIQUE	*	*	*	1	*	*	1
18	10342-E12	ELECTRODE	ELECTRODE	2	2	2	2	2	2	2
19	10342-E400	COLLECTOR BOX	BOÎTE DE COLLECTEUR	1	1	1	1	1	1	1
19A	10342-E401	COLLECTOR BOX	BOÎTE DE COLLECTEUR	1	1	1	1	1	1	1
21	10444-E40	CONTROL ASSEMBLY - LP	ASSEMBLÉE DE CONTROLE	1/0	*	*	*	*	*	*
	10444-E41	CONTROL ASSEMBLY - NG	ASSEMBLÉE DE CONTROLE	0/1	*	*	*	*	*	*
	10444-E50	CONTROL ASSEMBLY - LP	ASSEMBLÉE DE CONTROLE	*	*	*	*	1/0	*	*
	10444-E51	CONTROL ASSEMBLY - NG	ASSEMBLÉE DE CONTROLE	*	*	*	*	0/1	*	*
	10444-E449	CONTROL ASSEMBLY - LP	ASSEMBLÉE DE CONTROLE	*	1/0	1/0	*	*	*	*
	10444-E459	CONTROL ASSEMBLY - NG	ASSEMBLÉE DE CONTROLE	*	0/1	0/1	*	*	*	*
	10444-E469	CONTROL ASSEMBLY - LP	ASSEMBLÉE DE CONTROLE	*	*	*	1/0	*	*	*
	10444-E479	CONTROL ASSEMBLY - NG	ASSEMBLÉE DE CONTROLE	*	*	*	0/1	*	*	*
	10444-E549	CONTROL ASSEMBLY - LP	ASSEMBLÉE DE CONTROLE	*	*	*	*	*	1/0	*
	10444-E559	CONTROL ASSEMBLY - NG	ASSEMBLÉE DE CONTROLE	*	*	*	*	*	0/1	*
	10444-E569	CONTROL ASSEMBLY - LP	ASSEMBLÉE DE CONTROLE	*	*	*	*	*	*	1/0
	10444-E579	CONTROL ASSEMBLY - NG	ASSEMBLÉE DE CONTROLE	*	*	*	*	*	*	0/1
21A	S13470-091	HOSE-SIDE BURNER LP	TUYAU DU BRULEUR LATERAL PL	*	*	*	1/0	*	*	1/0
	S13470-132	HOSE-SIDE BURNER NG	TUYAU DU BRULEUR LATERAL GN	*	*	*	0/1	*	*	0/1
21B	Y-11230	COTTER PIN	ATTACHE DE CHEVILLE	*	*	*	1	*	*	1
21C	10110-40	TUBE-REAR BURNER ASSY	TUBE DE BRULEUR ARRIERE	*	1	1	1	*	*	*
	10110-45	TUBE-REAR BURNER ASSY	TUBE DE BRULEUR ARRIERE	*	*	*	*	*	1	1
22	10114-20	HOSE & REGULATOR LP - QCC1	TUYAU ET REGULATEUR PL - QCC1	1/0	1/0	1/0	1/0	1/0	1/0	1/0
	10111-K45	HOSE NATURAL GAS	TUYAU (GAZ NATUREL)	0/1	0/1	0/1	0/1	0/1	0/1	0/1
23	22001-768	CONTROL KNOB	BOUTON DE CONTROLE	3	4	4	5	3	4	5
23A	10472-E38	CONTROL BEZEL	MONTURE DE CONTROLE	3	4	4	5	3	4	5
25	10222-E402	BAFFLE	PLAQUE-CHICANE	1	1	1	1	1	1	1
30	10194-E433C	CONTROL COVER	PANNEAU DE CONTROLE	1	*	*	*	*	*	*
	10194-E477C	CONTROL COVER	PANNEAU DE CONTROLE	*	1	*	*	*	*	*
	10194-E433	CONTROL COVER	PANNEAU DE CONTROLE	*	*	*	*	1	*	*
	10194-E477	CONTROL COVER	PANNEAU DE CONTROLE	*	*	1	*	*	1	*
	10194-E499	CONTROL COVER	PANNEAU DE CONTROLE	*	*	*	1	*	*	1
31	10711-E42A	EDGE CAP - CONTROL COVER	PAC DE BORD	1	1	1	1	1	1	1
32	10711-E41A	EDGE CAP - CONTROL COVER	PAC DE BORD	1	1	1	1	1	1	1
33	10184-E84	RADIATION SHIELD	ÉCRAN DE CHALEUR	1	1	1	1	1	1	1
35	10184-E501	SUPPORT-CASTING-LEFT	SUPPORT GAUCHE DU FOYER	1	1	1	1	1	1	1
36	10184-E511	SUPPORT-CASTING-RIGHT	SUPPORT DROIT DU FOYER	1	1	1	1	1	1	1
37	10184-E651	SUPPORT-SIDE SHELF-LEFT	SUPPORT TABLETTE DE GAUCHE	2	2	2	2	2	2	2
37A	10184-E63	SUPPORT-SIDE SHELF-LEFT	SUPPORT TABLETTE DE GAUCHE	2	2	2	2	2	2	2
38	10184-E641	SUPPORT-SIDE SHELF-RIGHT	SUPPORT TABLETTE DE DROIT	2	2	2	2	2	2	2
38A	10184-E62	SUPPORT-SIDE SHELF-RIGHT	SUPPORT TABLETTE DE DROIT	2	2	2	2	2	2	2
39	10956-E881	BRACE-REAR	SUPPORT ARRIERE	1	1	1	1	1	1	1
40	10958-E81	BASE	TABLETTE INFERIEURE	1	1	1	1	1	1	1
41	10956-E591	BRACE-FRONT	SUPPORT AVANT	1	1	1	1	1	1	1
42	10958-E75	DOOR	PORTE	2	2	*	*	*	*	*
	10958-E79	DOOR	PORTE	*	*	2	2	2	2	2
42A	10958-E851	DOOR - INNER	PORTE INTÉRIEURE	2	2	2	2	2	2	2
43	10958-E761	SIDE PANEL BLK	PANNEAU LATÉRALE	2	2	2	2	2	2	2
44	10958-E901	PANEL - REAR	PANNEAU - ARRIÈRE	1	1	1	1	1	1	1
45	10184-E821	BRACKET - DOOR CATCH	CROCHET DE PORTE	1	1	1	1	1	1	1
48	10184-E681	BRACKET - SHELF	CROCHET - PLANCHETTE	2	2	2	2	2	2	2
49	10711-E84	CONDIMENT BIN	CASIER DE CONDIMENT	*	*	2	2	2	2	2
	10711-E811	CONDIMENT BIN	CASIER DE CONDIMENT	2	2	*	*	*	*	*



