

This Owner's Manual is provided and hosted by [Appliance Factory Parts](#).



# Broil King 9878-34 Owner's Manual

[Shop genuine replacement parts for Broil King 9878-34](#)



[Find Your Broil King Grill Parts - Select From 1350 Models](#)

----- Manual continues below part list -----

## Available Replacement Parts for Broil King 9878-34

|                             |                                       |
|-----------------------------|---------------------------------------|
| <a href="#">18013</a>       | LARGE PROBE HEAT INDICATOR            |
| <a href="#">10081-BK630</a> | NAMEPLATE HI BROIL KING BLACK ZINC    |
| <a href="#">10240-15</a>    | HINGE PIN SIDE SHELF DROP DOWN        |
| <a href="#">S21237</a>      | HINGE PIN SPACER                      |
| <a href="#">10892-15</a>    | CASTER 2 1/2 INCH WHEEL KNURLED       |
| <a href="#">S21124</a>      | SCREW PHCP #8 X 12 +                  |
| <a href="#">Y-12220</a>     | S/B BUSHING SB 1.375 16 HEY           |
| <a href="#">50416</a>       | SMALL DRIP PAN - 10 PACK              |
| <a href="#">10892-931A</a>  | WHEEL 7 INCH GREY WALL                |
| <a href="#">18429</a>       | FLAV R WAVE - SIGNET/SOVEREIGN        |
| <a href="#">S15236</a>      | ROTISSERIE MOTOR AC 120V              |
| <a href="#">S15263</a>      | ROTISSERIE BUSHING                    |
| <a href="#">S15299</a>      | WASHER COUNTERWEIGHT ROTIS            |
| <a href="#">S15270</a>      | ROTISSERIE COUNTERWEIGHT ASSY         |
| <a href="#">S15271</a>      | ROTISSERIE HANDLE +                   |
| <a href="#">10184-e78A</a>  | END CAP DOOR TOP LHS W/MAGNET         |
| <a href="#">10184-e76</a>   | END CAP DOOR BOTTOM LEFT A            |
| <a href="#">10184-e79a</a>  | END CAP DOOR TOP RHS W/MAGNET         |
| <a href="#">10342-246</a>   | IGNITOR ELECTRONIC TRIPLE +           |
| <a href="#">10342-E400A</a> | COLLECTOR BOX ASSEMBLY                |
| <a href="#">23000-253</a>   | SIDE BURNER LID IR SS                 |
| <a href="#">23000-271</a>   | SIDE BURNER BODY BASE                 |
| <a href="#">10184-E62</a>   | SHELF SUPPORT BRACKET LHS +           |
| <a href="#">10184-E63</a>   | SHELF SUPPORT BRACKET RHS +           |
| <a href="#">10958-E81</a>   | BASE RESIN CABINET REV A +            |
| <a href="#">10958-E761</a>  | PANEL SIDE BLACK +                    |
| <a href="#">10958-E901</a>  | PANEL REAR BLACK 21 3/4 INCH NEW 2006 |
| <a href="#">10184-E77</a>   | END CAP DOOR BOTTOM RIGHT A           |
| <a href="#">S15170</a>      | AXLE PLTD 3/8X20 5/8 CAB +            |
| <a href="#">10184-E651</a>  | SHELF SUPPORT LHS BLK                 |

|                             |  |
|-----------------------------|--|
| <a href="#">10184-E641</a>  | SHELF SUPPORT RIGHT BLK                |
| <a href="#">10711-E47</a>   | END CAP SIDE SHELF RHS                 |
| <a href="#">10711-E43</a>   | EDGE CAP SIDESHLF R REAR.034LB         |
| <a href="#">10711-E45</a>   | EDGE CAP SIDESHLF R FRNT.199LB         |
| <a href="#">10711-E48</a>   | END CAP SIDE SHELF LHS                 |
| <a href="#">10711-E44</a>   | EDGE CAP SIDE SHELF LHS REAR           |
| <a href="#">10711-E46</a>   | EDGE CAP SIDE SHELF LHS FRONT          |
| <a href="#">18629</a>       | TUBE IN TUBE BURNER SIGNET/SOVEREIGN   |
| <a href="#">10110-45</a>    | TUBE 450/600 REAR BURNER               |
| <a href="#">10472-E38</a>   | CONTROL KNOB - BEZEL BLK               |
| <a href="#">10184-E501</a>  | CASTING SUPPORT L BLK                  |
| <a href="#">10184-E511</a>  | CASTING SUPPORT RHS BLK                |
| <a href="#">10696-127</a>   | R/B ORIFICE LP                         |
| <a href="#">10696-185</a>   | R/B ORIFICE NG 1.85MM                  |
| <a href="#">11184-E341</a>  | ROTISSERIE BRACKET MOTOR               |
| <a href="#">10184-E44</a>   | ROTISSERIE BRACKET LHS (1 HOLE)        |
| <a href="#">10909-E450</a>  | CASTING BOTTOM 450 +                   |
| <a href="#">10225-E451</a>  | GRID - WARMING RACK +                  |
| <a href="#">10444-E54</a>   | CONTROL ASSY 52BTU 3V RB LP            |
| <a href="#">10184-E92</a>   | RADIATION SHIELD 390/400               |
| <a href="#">10956-E591</a>  | BRACE FRONT BLACK                      |
| <a href="#">S15257</a>      | SPIT ROD ROTISSERIE 33 INCH            |
| <a href="#">18529</a>       | FLAV R WAVE DIVIDER - SIGNET/SOVEREIGN |
| <a href="#">66123</a>       | grid, ci, 16.9375 x 24.9375; Kenmore.  |
| <a href="#">11041</a>       | burner, pipe, ss, 14.3125 x 1.125      |
| <a href="#">94001</a>       | heat plate, ss, 13.75 x 6.25           |
| <a href="#">10958-e79lw</a> | DOOR SMALL LHS CABINET ASSY +          |
| <a href="#">10184-R84</a>   | CASTING BOSS EXTENSION 450 +           |
| <a href="#">10222-E402</a>  | BAFFLE SIGNET/SOVEREIGN                |
| <a href="#">10711-E42A</a>  | EDGE CAP CONTROL COVER LHS             |
| <a href="#">10194-E433</a>  | CONTROL COVER SS 3V 2.36 +             |
| <a href="#">10342-T16</a>   | WIRE ELECTRODE S/B +                   |
| <a href="#">10956-E881</a>  | BRACE REAR BLACK                       |

|                            |  |
|----------------------------|--|
| <a href="#">03330</a>      | spark generator                          |
| <a href="#">94031</a>      | USE MCM909400114                         |
| <a href="#">00475</a>      | heat indicator                           |
| <a href="#">10184-E211</a> | TANK COLLAR CLAMP 3B BLACK               |
| <a href="#">10184-E201</a> | TANK STRAP 3B BLACK                      |
| <a href="#">80012</a>      | regulator and hose READ ADD. INFO        |
| <a href="#">10342-245</a>  | IGNITOR ELECTRONIC DUAL +                |
| <a href="#">04831</a>      | ELECTRODE WITH WIRE                      |
| <a href="#">10184-E931</a> | DOOR CATCH BRACKET - BLACK               |
| <a href="#">10711-E84</a>  | CONDIMENT BIN SS                         |
| <a href="#">S13015A</a>    | BURNER TUBULAR 450 W/IGNITION            |
| <a href="#">50502</a>      | HEAVY DUTY MEAT FORKS                    |
| <a href="#">10184-E33</a>  | ROTISSERIE BRACKET (2 HOLES)             |
| <a href="#">10390-R81A</a> | SIDE BURNER ASSY                         |
| <a href="#">11151</a>      | SS COOKING GRID - SOVEREIGN              |
| <a href="#">23009-99</a>   | SIDE BURNER TRIVET CI                    |
| <a href="#">17010</a>      | CONTROL KNOB RESIN LRG BLACK             |
| <a href="#">10445-E36</a>  | CONTROL ASSY DUAL 5V 48BTU LP            |
| <a href="#">10445-E37</a>  | CONTROL ASSY 52BTU 3V SB/RB NG W/PIGTAIL |
| <a href="#">10111-K45</a>  | HOSE 3/8 INCH ASSEMBLY NG 10 FOOT +      |
| <a href="#">Y-11990</a>    | NUT HEX BRASS 3/8 27 RB LINE             |
| <a href="#">10342-E12</a>  | ELECTRODE W/WIRE +                       |
| <a href="#">10342-247</a>  | IGNITOR ELECTRONIC +                     |



# Broil King®

## REDDI-BILT BARBECUES

ASSEMBLY MANUAL & PARTS LIST

MANUEL DE MONTAGE & LISTE DE PIÈCES

### Broil King

9869-54ED  
9869-57ED



### Broil King

9869-74ED  
9869-77ED



### Broil King

SOVEREIGN 20  
9878-14  
9878-17



### Broil King

SIGNET 70  
9868-74  
9878-77  
SOVEREIGN 70  
9878-34  
9878-37



### Broil King

SIGNET 90  
9868-84  
9868-87  
SOVEREIGN 90  
9878-44  
9878-47



RETAIN FOR FUTURE REFERENCE

VEUILLEZ CONSERVER POUR REFERENCE ULTERIEURE

1-800-265-2150

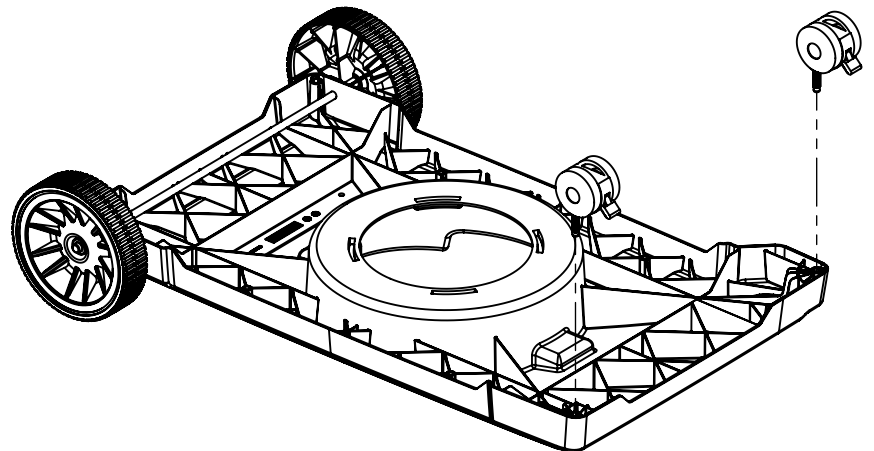
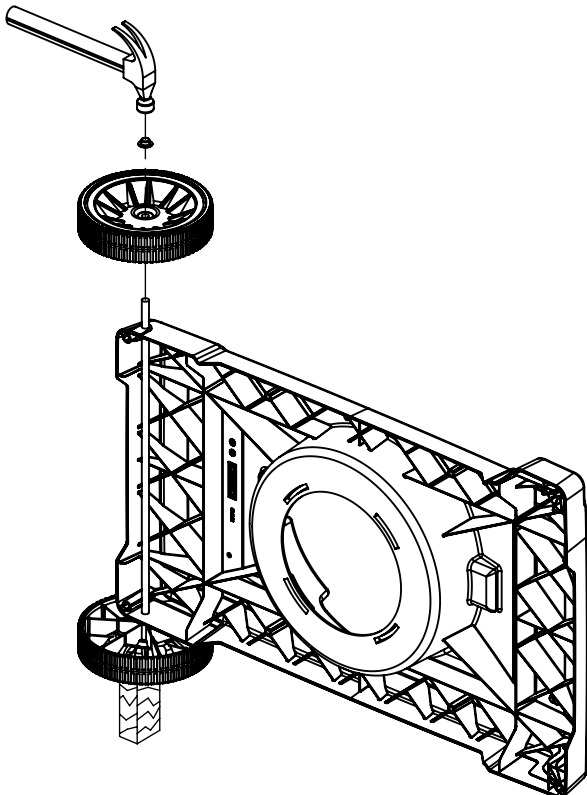
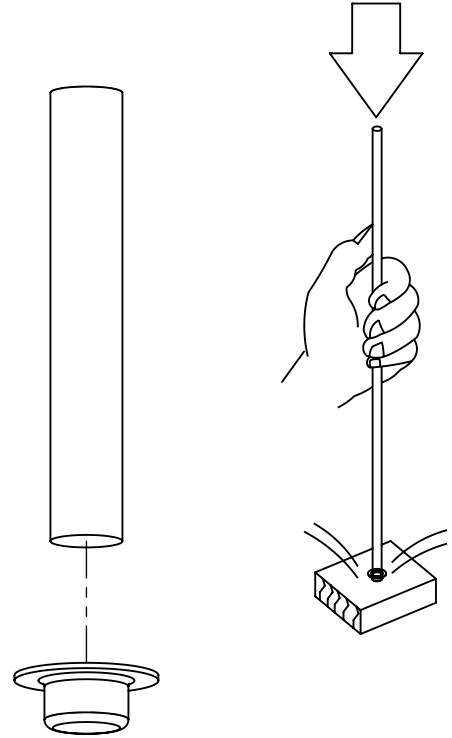
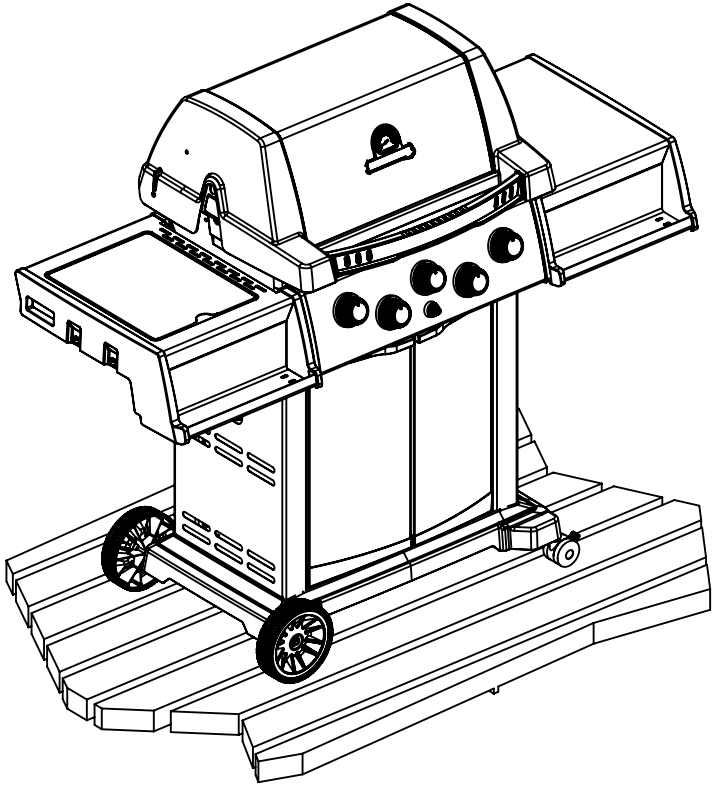
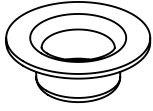
info@omcbbq.com

*Onward*  
SINCE 1906  
MANUFACTURING COMPANY LIMITED  
585 KUMPF DRIVE  
WATERLOO, ONTARIO, CANADA  
N2V 1K3

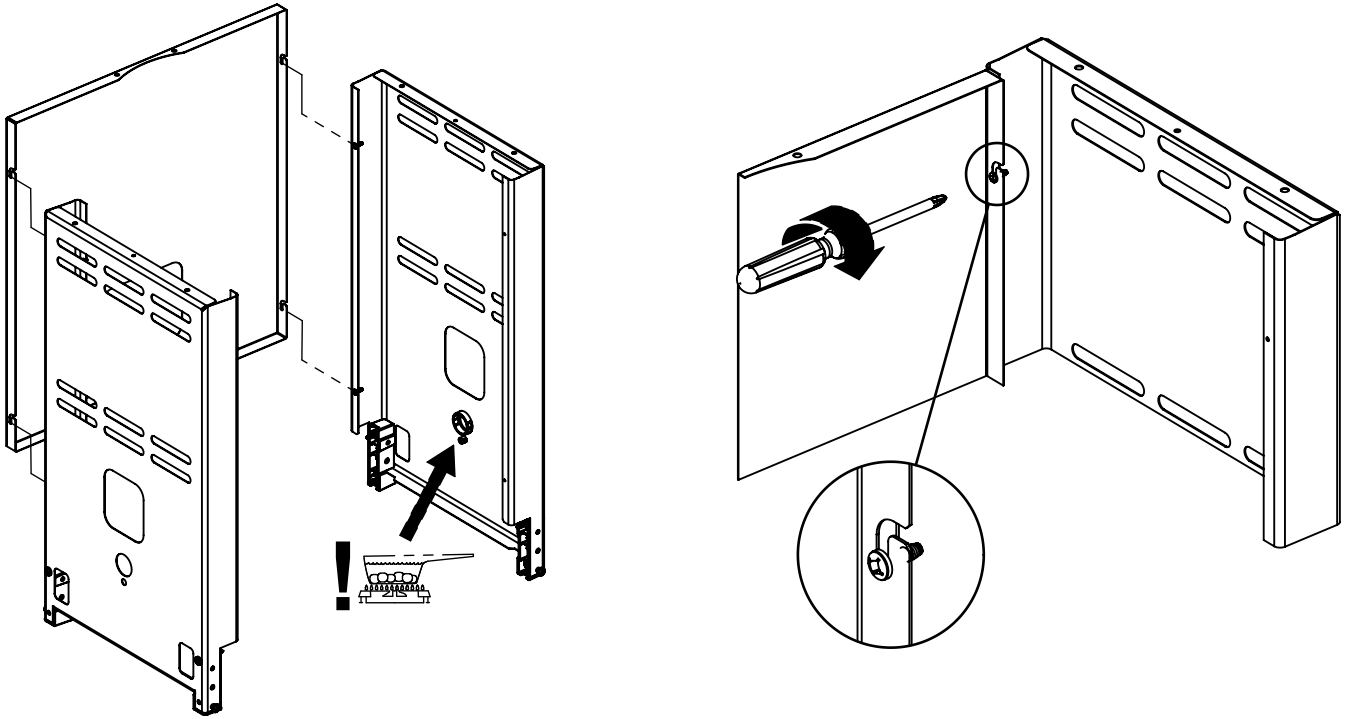
10084-E42 REV C 11/12

1

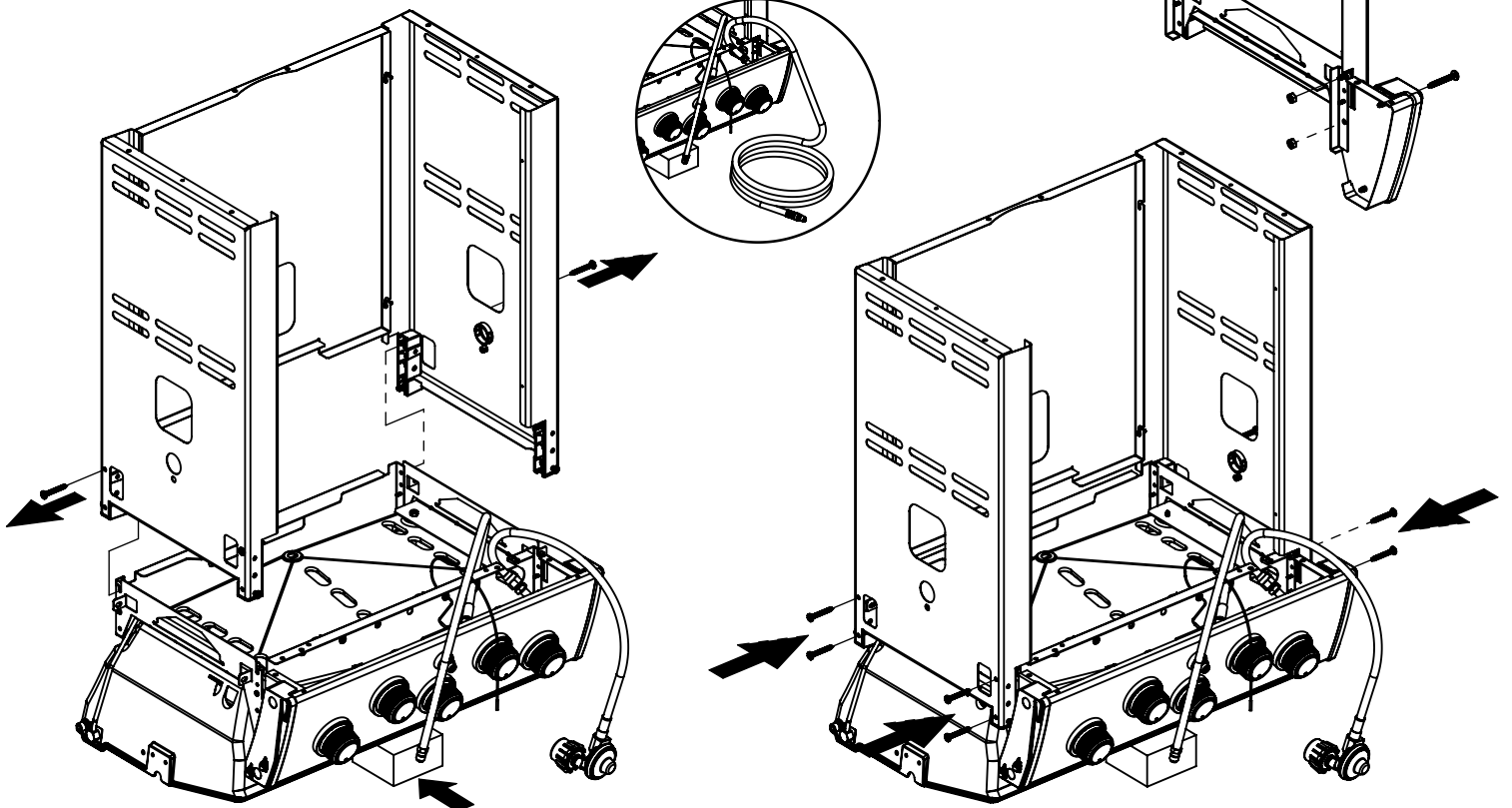
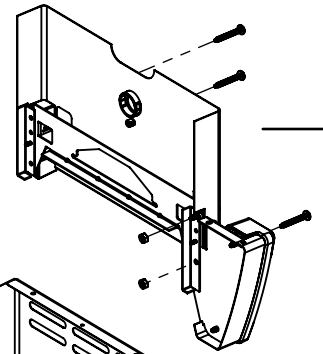
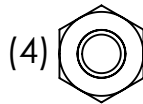
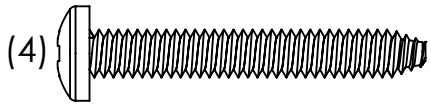
(2)



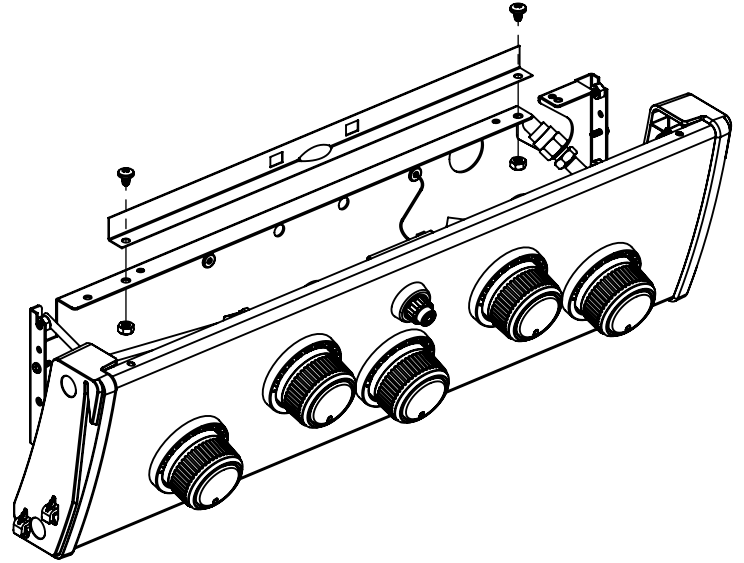
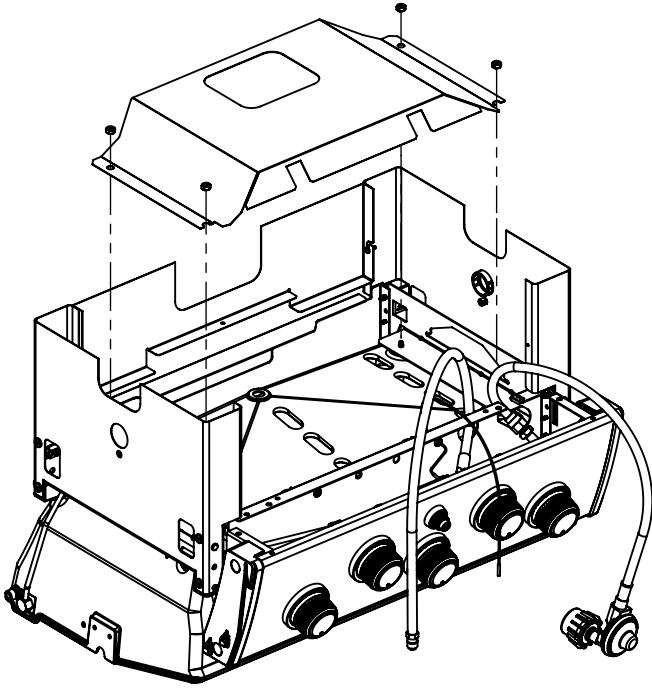
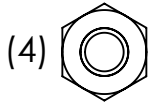
2



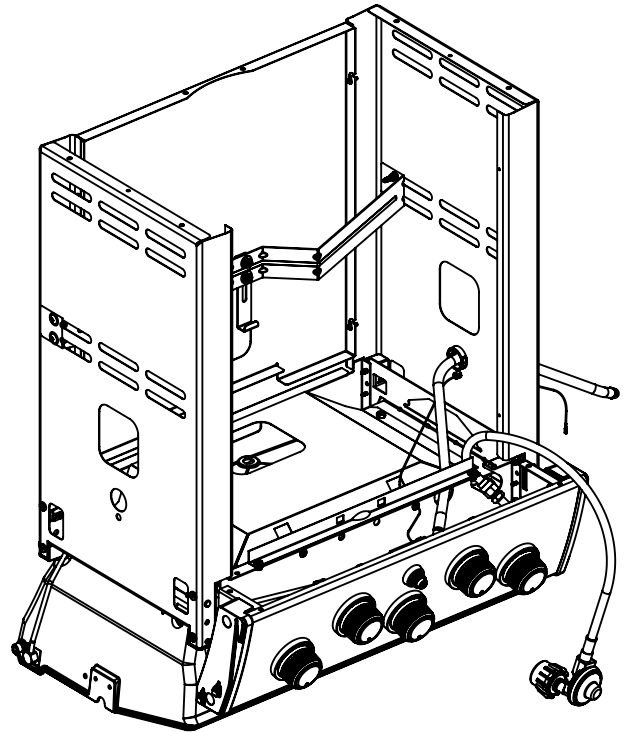
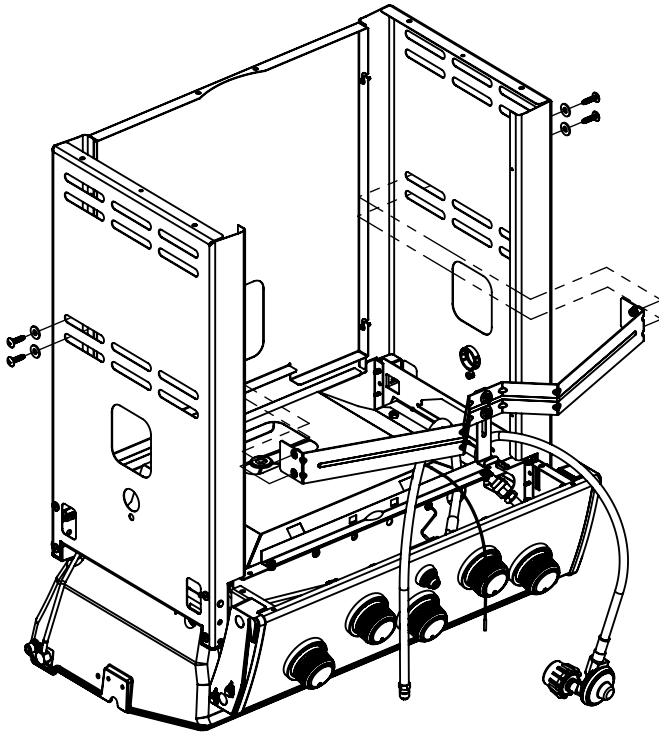
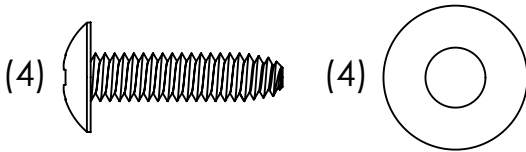
3



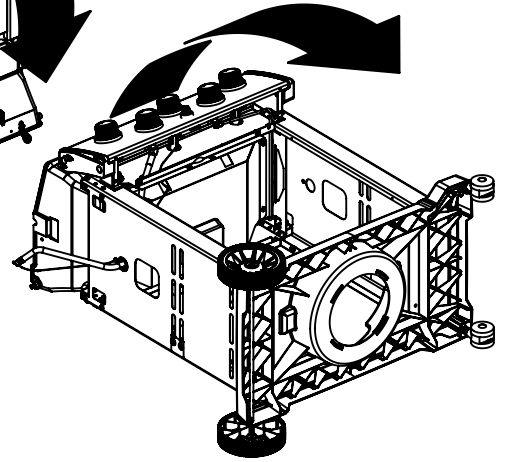
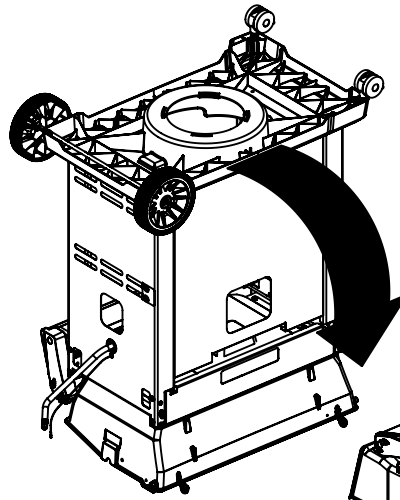
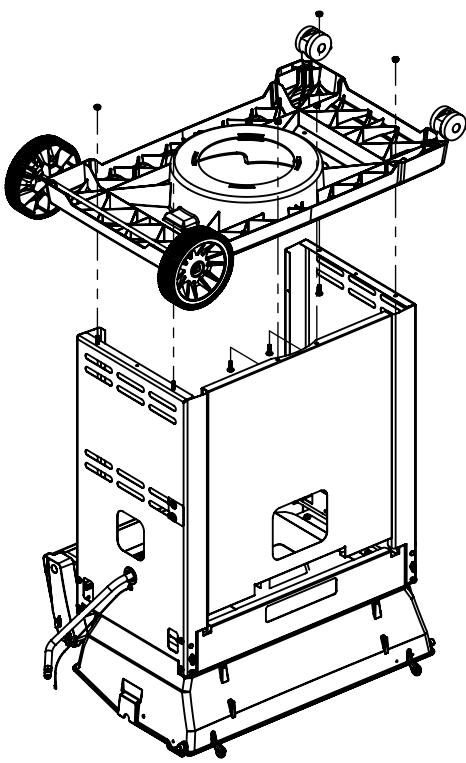
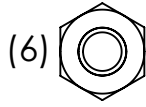
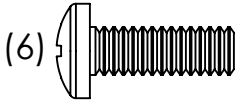
**4**



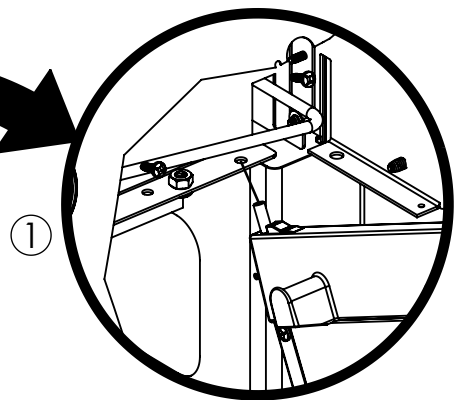
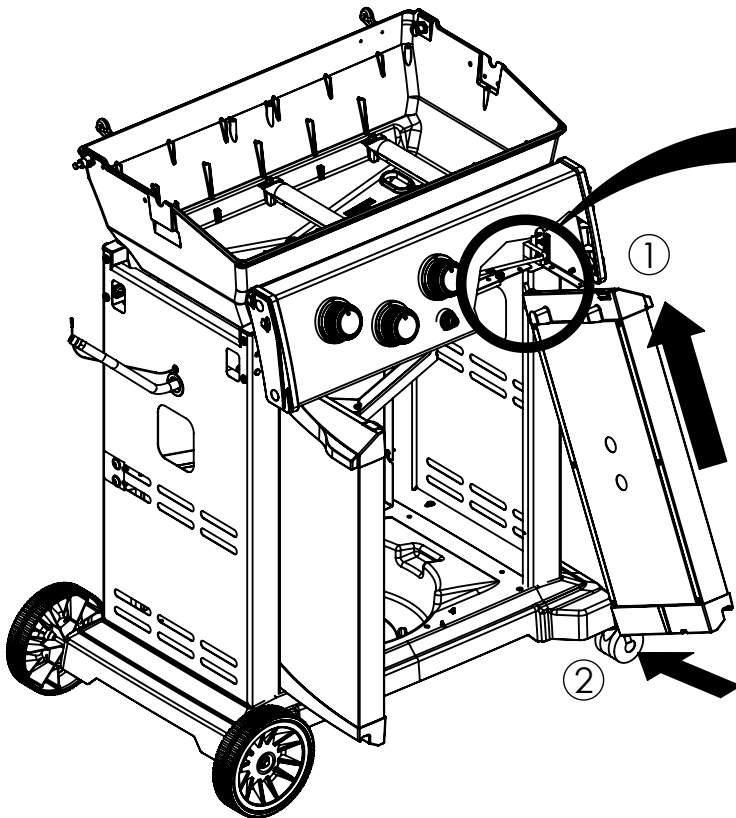
**5**



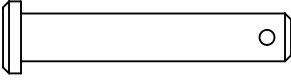
6

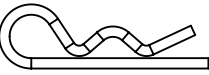


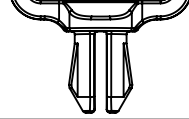
7

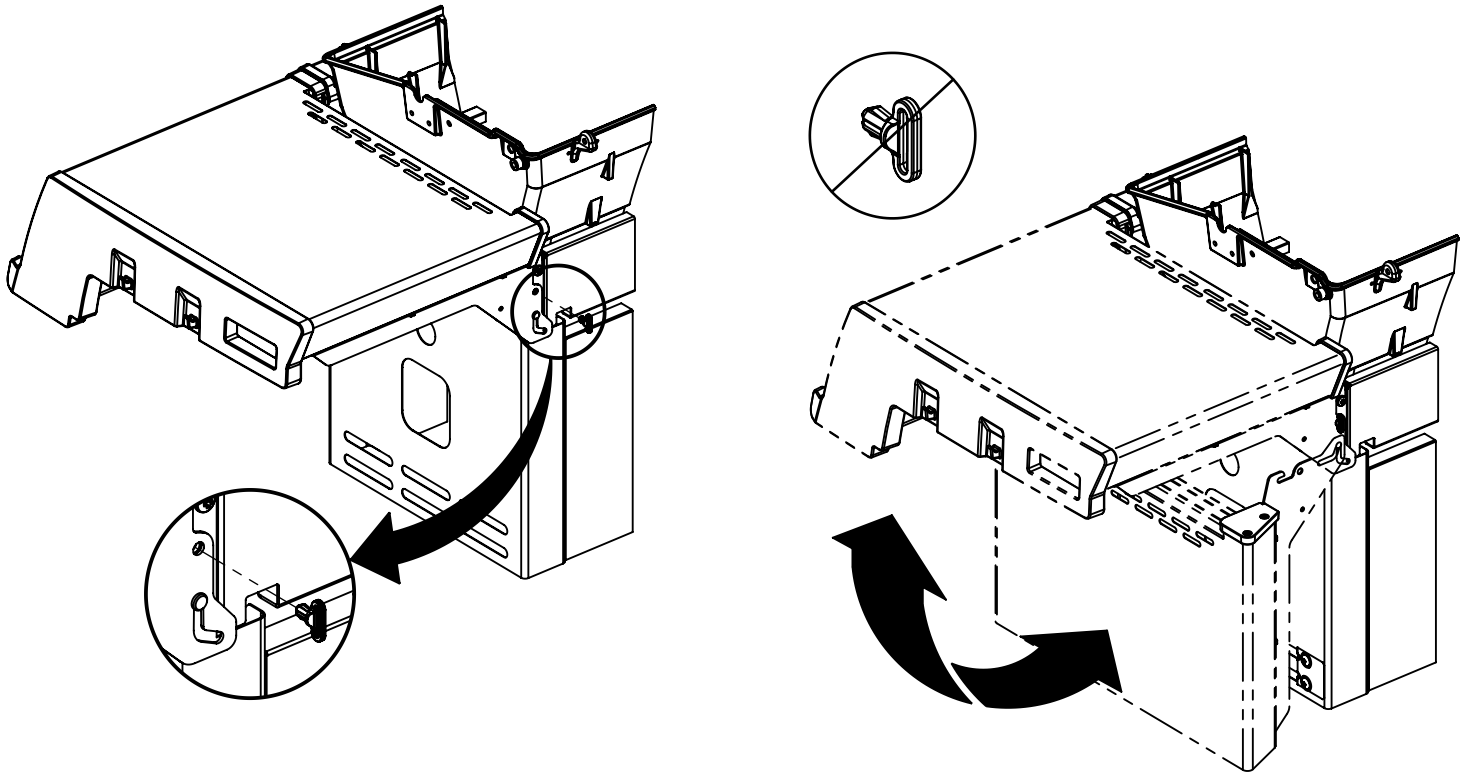
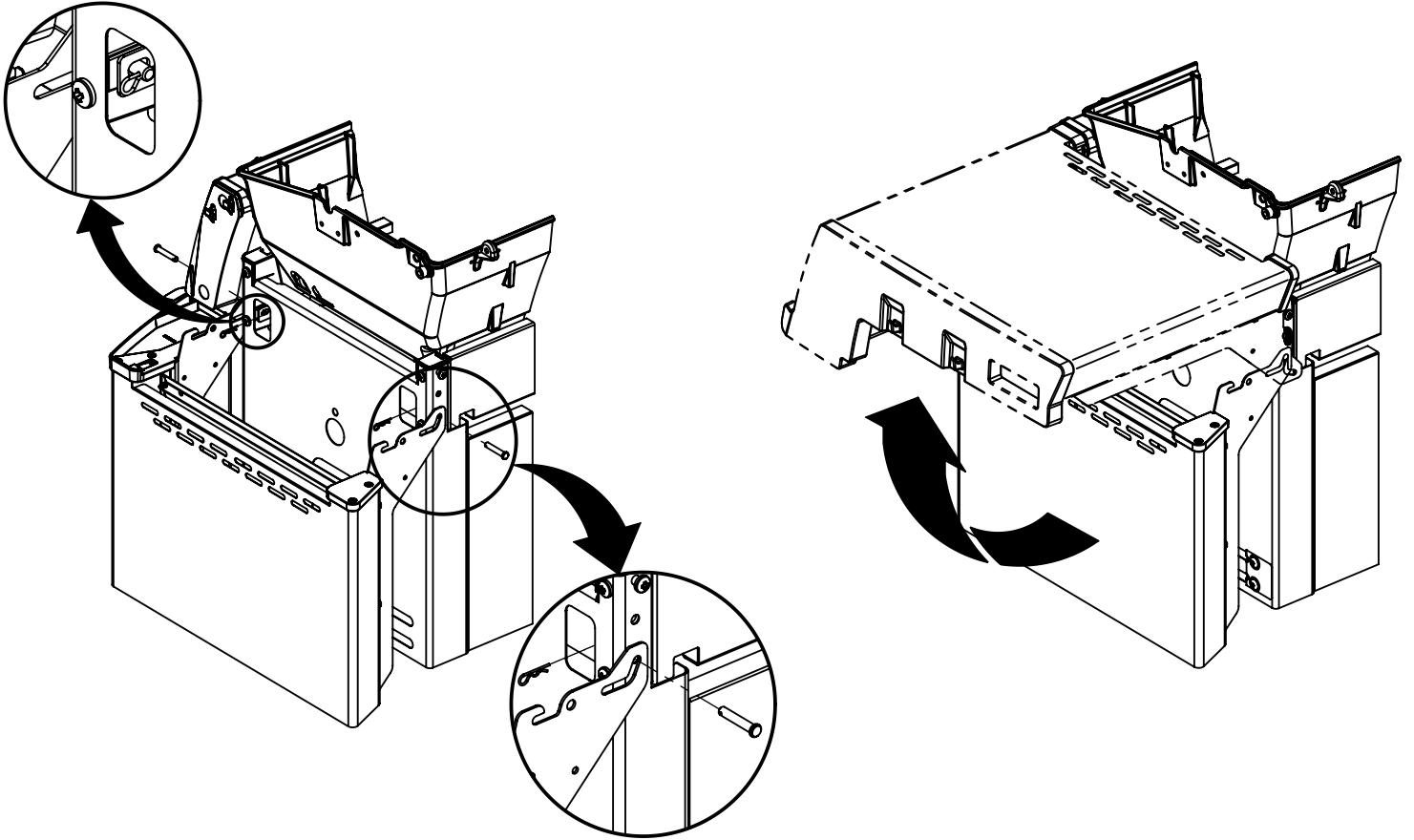


8

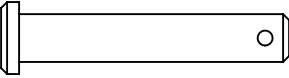
(2) 

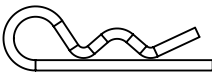
(2) 

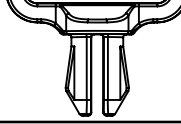
(1) 

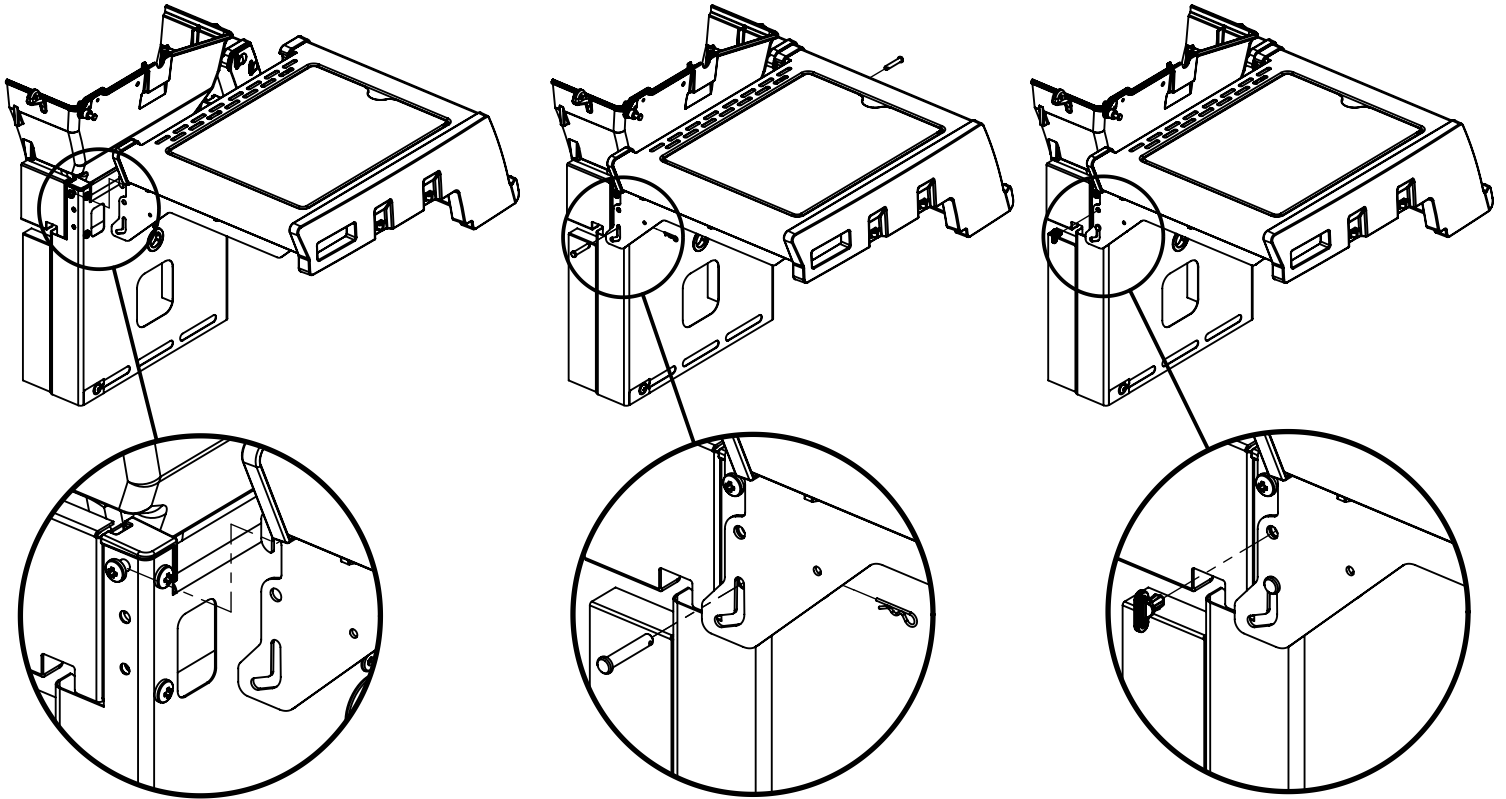


9

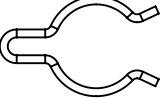
(2) 

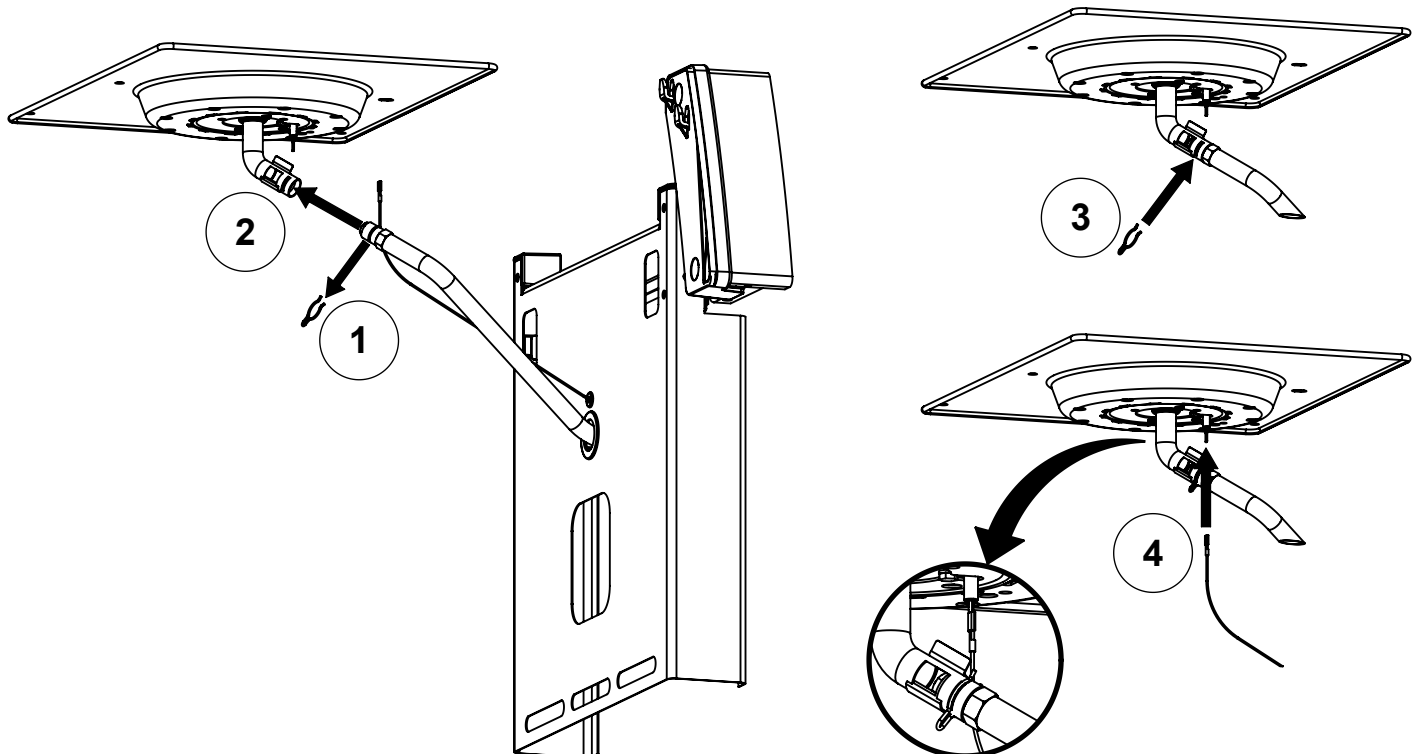
(2) 

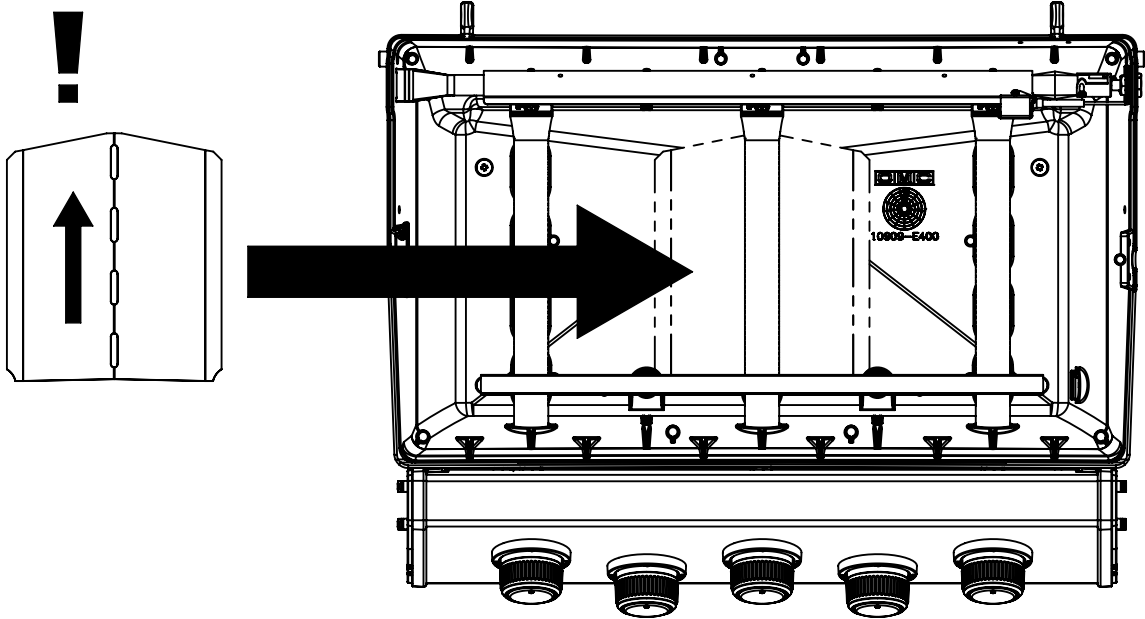
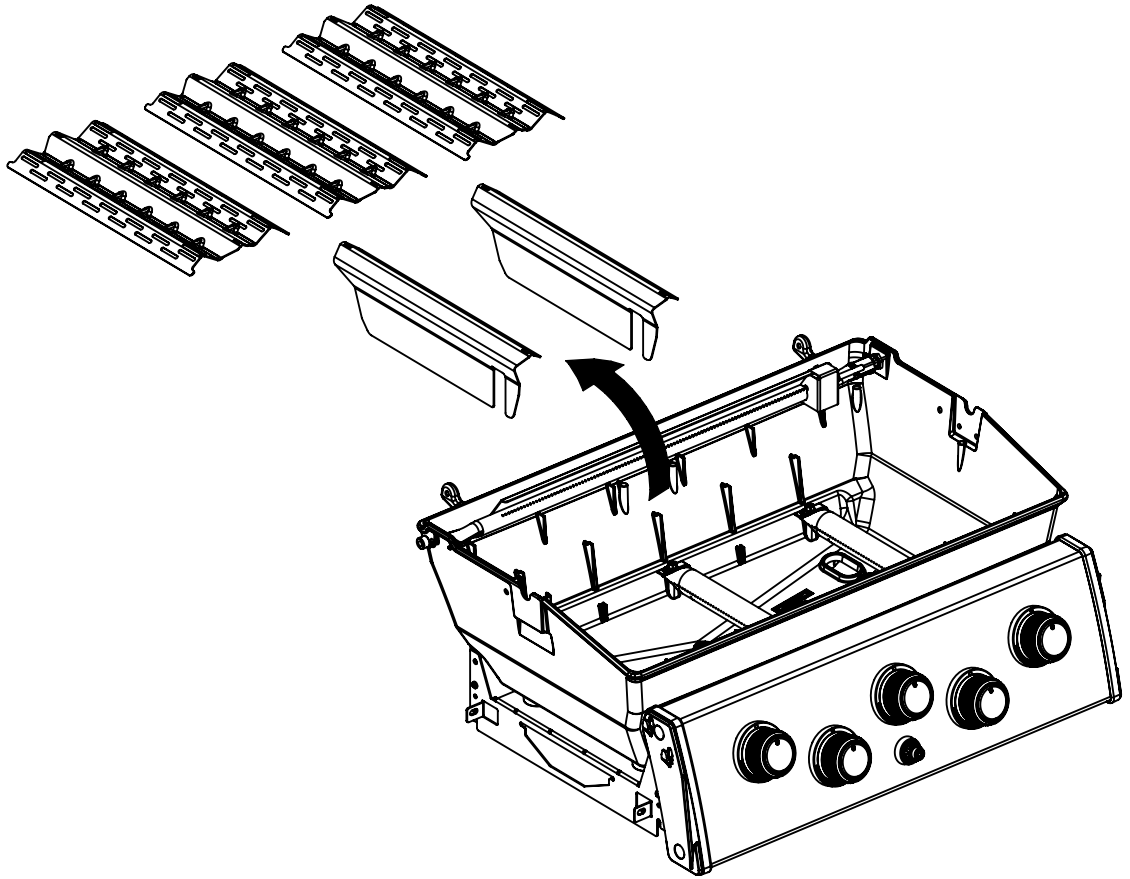
(1) 



10

(1) 

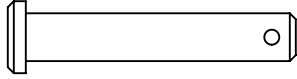




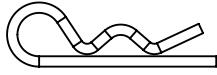


12

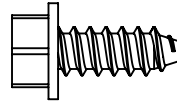
(2)



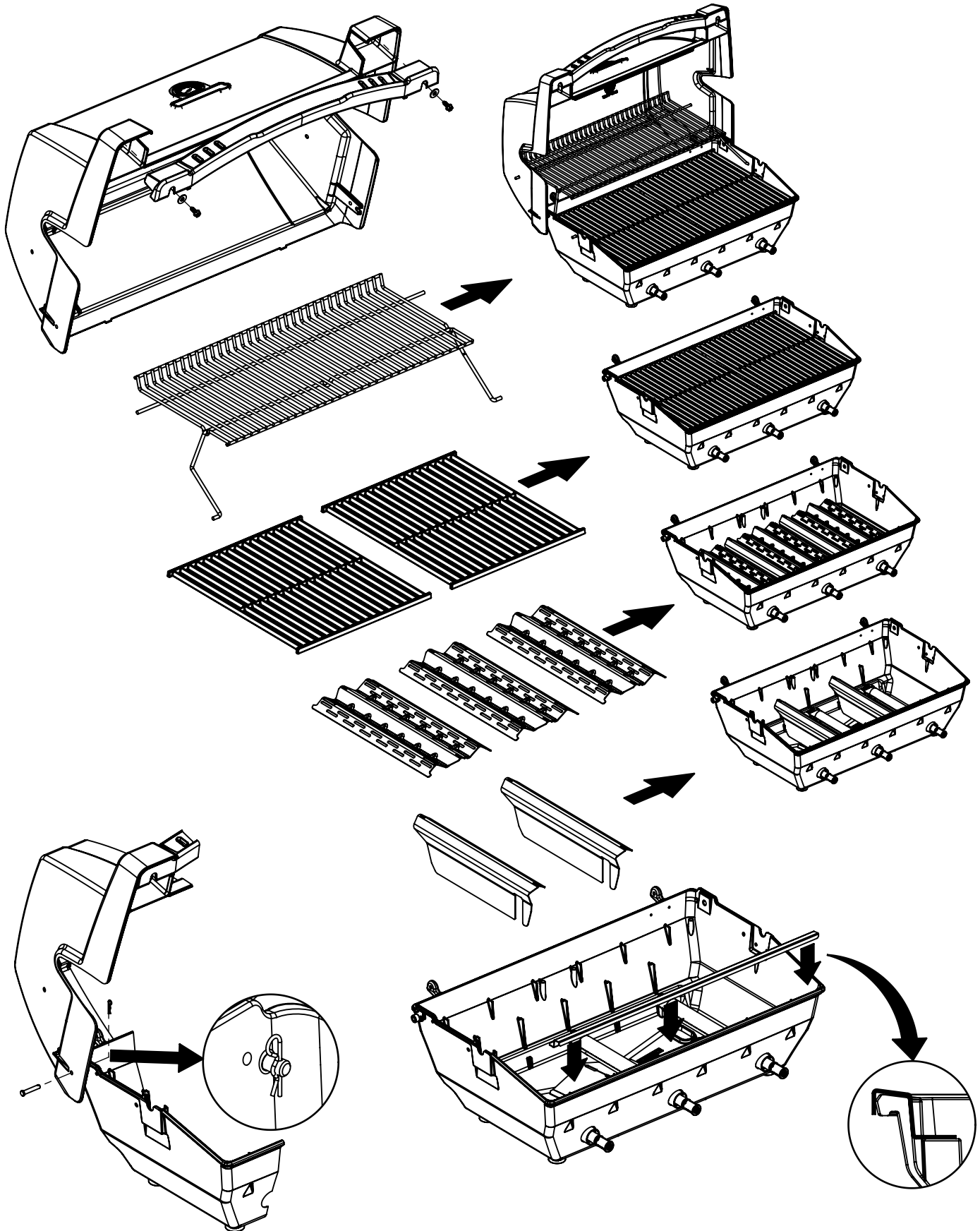
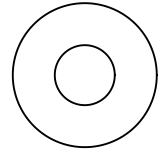
(2)



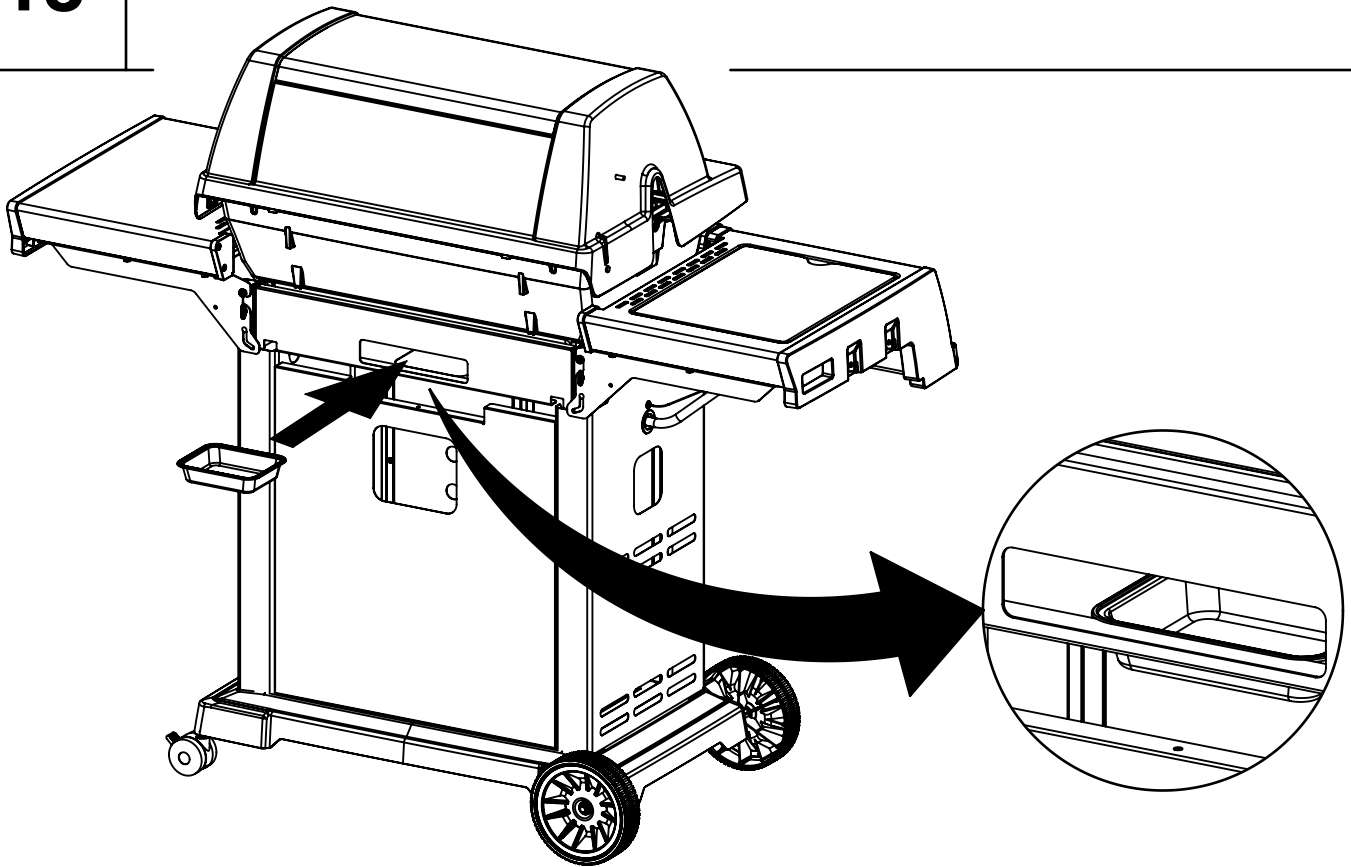
(2)



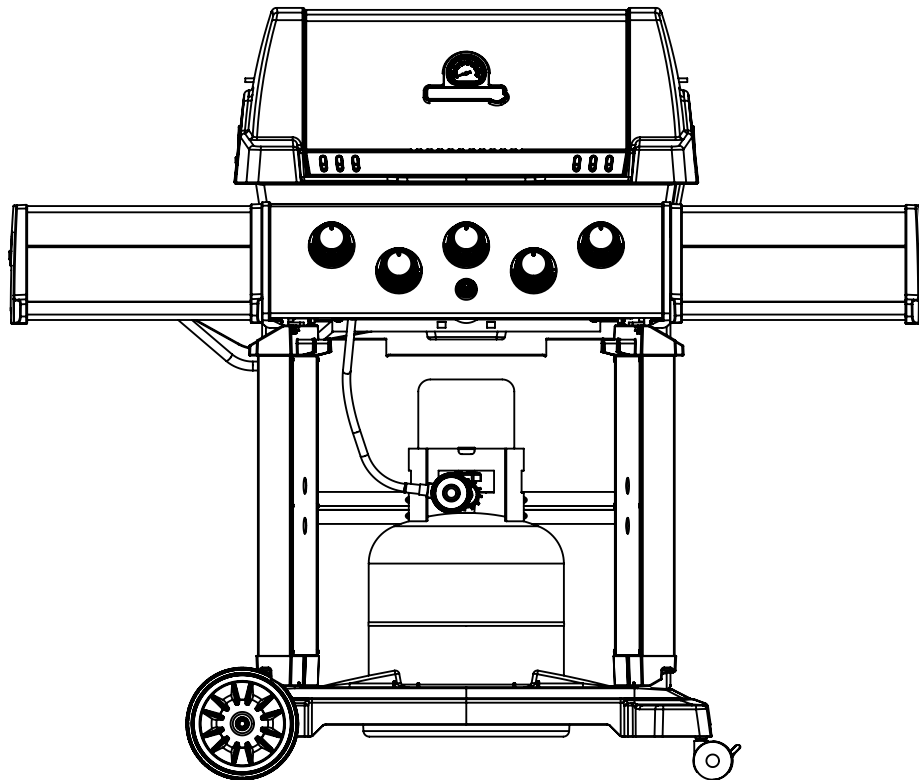
(2)



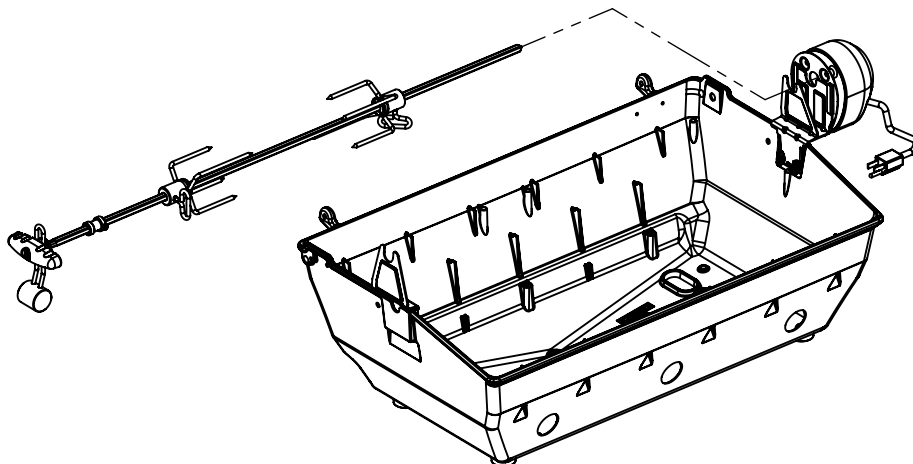
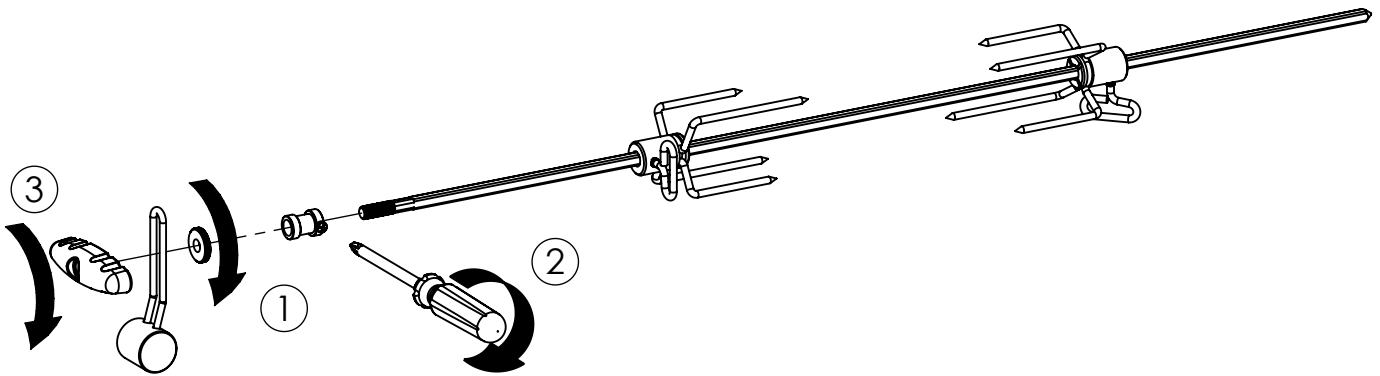
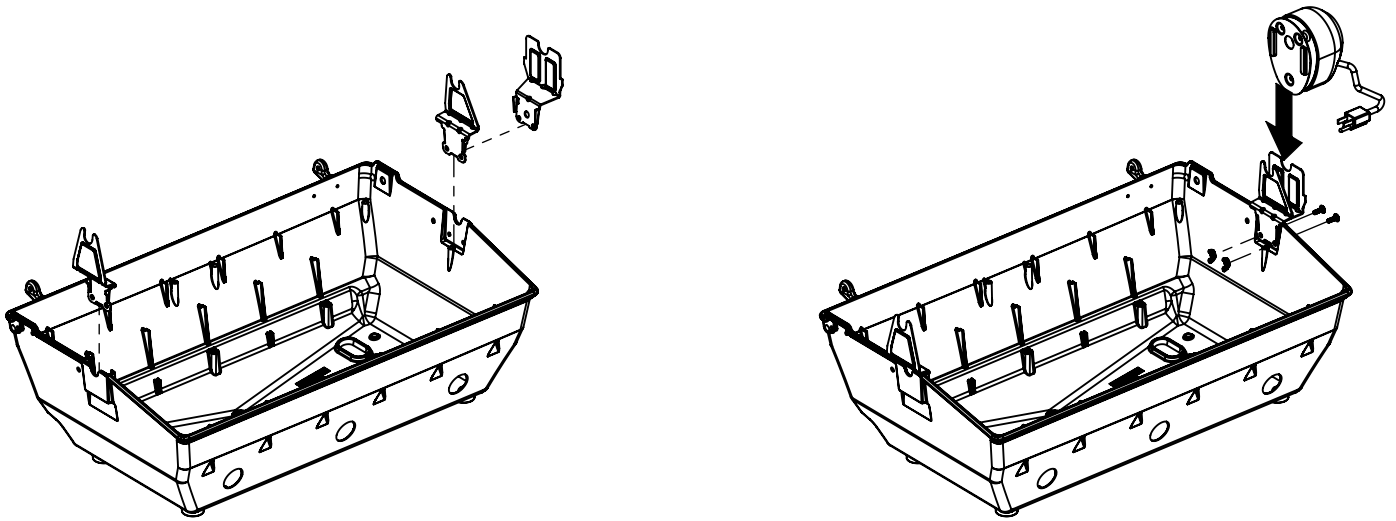
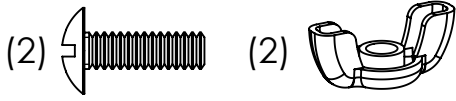
13

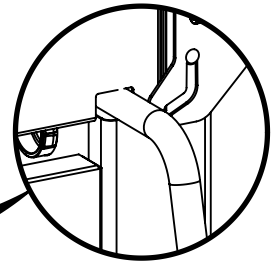
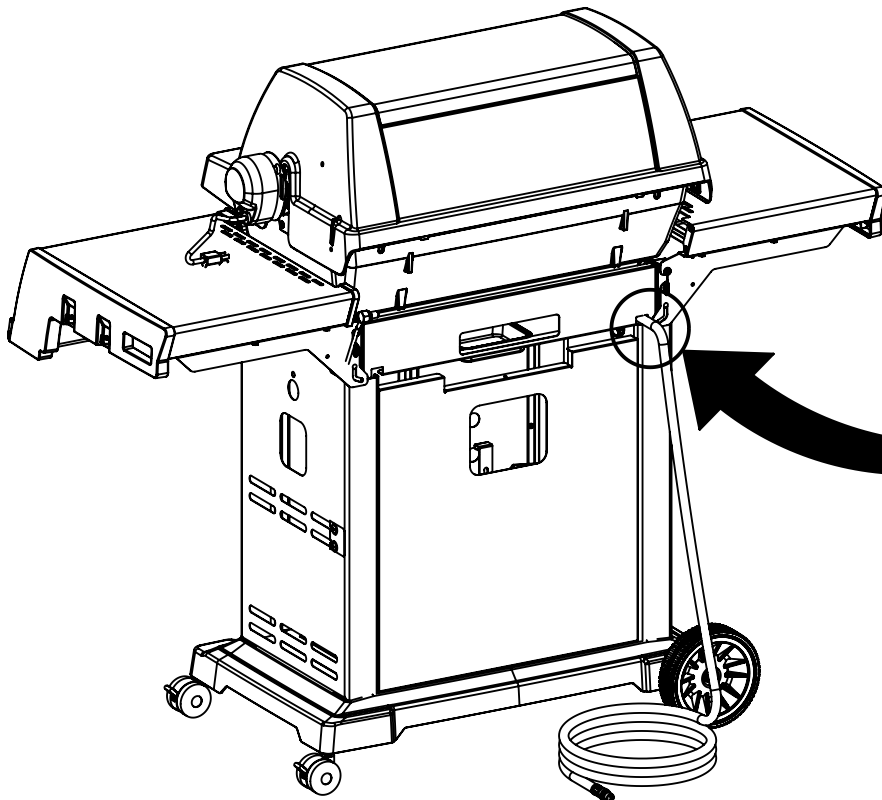
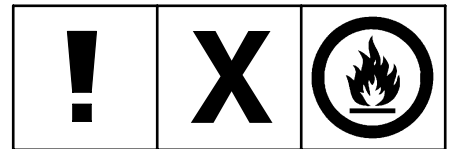
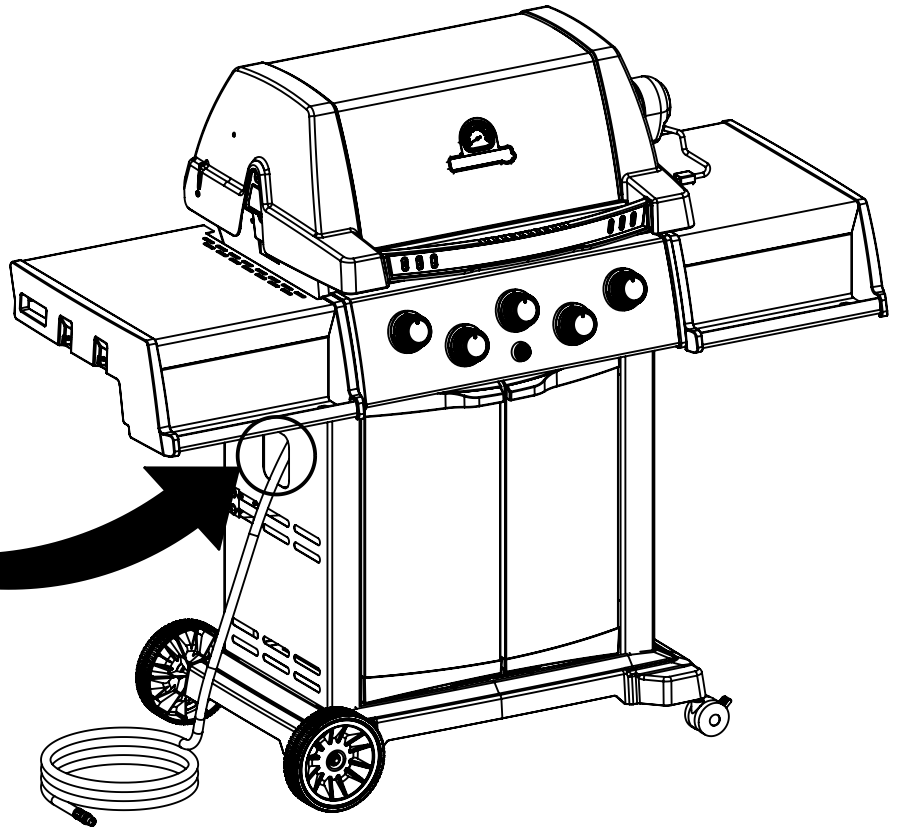
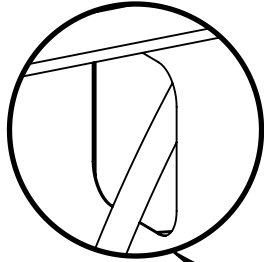
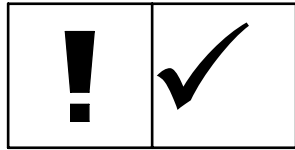


14



15





## PARTS LIST / LISTE DES PIECES

| KEY # | ITEM #      | DESCRIPTION                | DESCRIPTION                   | 9869-54ED | 9869-74ED | 9868-74 | 9868-84 | 9878-14 | 9878-34 | 9878-44 |
|-------|-------------|----------------------------|-------------------------------|-----------|-----------|---------|---------|---------|---------|---------|
|       |             |                            |                               | 9869-57ED | 9869-77ED | 9868-77 | 9868-87 | 9878-17 | 9878-37 | 9878-47 |
| 1     | 10909-E400  | CASTING BOTTOM             | FOND DU FOYER                 | 1         | 1         | 1       | 1       | *       | *       | *       |
|       | 10909-E450  | CASTING BOTTOM             | FOND DU FOYER                 | *         | *         | *       | *       | 1       | 1       | 1       |
| 2     | 10473-E400  | CASTING TOP                | COUVERCLE DU GRIL             | 1         | 1         | 1       | 1       | *       | *       | *       |
|       | 10473-E450  | CASTING TOP                | COUVERCLE DU GRIL             | *         | *         | *       | *       | 1       | 1       | 1       |
| 3     | 10081-BK630 | NAMEPLATE                  | PLAQUE D'IDENTIFICATION       | 1         | 1         | 1       | 1       | 1       | 1       | 1       |
| 4     | 10958-E404  | TOP CASTING INSERT         | PANNEAU DE COUVERCLE          | 1         | 1         | 1       | 1       | *       | *       | *       |
|       | 10958-E450  | TOP CASTING INSERT         | PANNEAU DE COUVERCLE          | *         | *         | *       | *       | 1       | 1       | 1       |
| 5     | 10571-6     | HEAT INDICATOR             | INDICATEUR DE CHALEUR         | 1         | 1         | 1       | 1       | 1       | 1       | 1       |
|       | 10240-15    | HINGE PIN                  | GOUPILLE DE CHARNIERE         | 6         | 6         | 6       | 6       | 6       | 6       | 6       |
| 6A    | S21237      | HINGE SPACER               | ENTRETOISE DE CHARNIERE       | 2         | 2         | 2       | 2       | 2       | 2       | 2       |
| 7     | S21233      | HITCH PIN CLIP             | ATTACHE DE CHEVILLE           | 6         | 6         | 6       | 6       | 6       | 6       | 6       |
| 9     | 38170121    | GRID                       | GRILLE                        | 2         | 2         | *       | *       | *       | *       | *       |
|       | S12033S     | GRID                       | GRILLE                        | *         | *         | *       | *       | 3       | 3       | 3       |
|       | 10225-T436  | GRID                       | GRILLE                        | *         | *         | 3       | 3       | *       | *       | *       |
| 10    | 10222-E400  | FLAV-R-WAVE                | FLAV-R-WAVE                   | 3         | 3         | 3       | 3       | 3       | 3       | 3       |
| 11    | 10225-E401  | GRID - WARMING RACK        | GRILLE                        | 1         | 1         | 1       | 1       | *       | *       | *       |
|       | 10225-E451  | GRID - WARMING RACK        | GRILLE                        | *         | *         | *       | *       | 1       | 1       | 1       |
| 12    | 10222-E401  | DIVIDER                    | DIVISEUR                      | 2         | 2         | 2       | 2       | 2       | 2       | 2       |
| 13    | 10184-R84   | BOSS EXTENSION             | CROCHET DE RALLONGEMENT       | *         | *         | *       | *       | 1       | 1       | 1       |
| 15    | 10390-E20LP | BURNER                     | BRÛLEUR                       | 3/0       | 3/0       | 3/0     | 3/0     | 3/0     | 3/0     | 3/0     |
|       | 10390-E20NG | BURNER                     | BRÛLEUR                       | 0/3       | 0/3       | 0/3     | 0/3     | 0/3     | 0/3     | 0/3     |
| 17    | 10342-245   | ELECTRONIC IGNITOR         | ALLUMEUR ÉLECTRONIQUE         | 1         | 1         | *       | *       | 1       | *       | *       |
|       | 10342-246   | ELECTRONIC IGNITOR         | ALLUMEUR ÉLECTRONIQUE         | *         | *         | 1       | *       | *       | 1       | *       |
|       | 10342-247   | ELECTRONIC IGNITOR         | ALLUMEUR ÉLECTRONIQUE         | *         | *         | *       | 1       | *       | *       | 1       |
| 18    | 10342-E12   | ELECTRODE                  | ELECTRODE                     | 2         | 2         | 2       | 2       | 2       | 2       | 2       |
| 19    | 10342-E400  | COLLECTOR BOX              | BOÎTE DE COLLECTEUR           | 1         | 1         | 1       | 1       | 1       | 1       | 1       |
| 19A   | 10342-E401  | COLLECTOR BOX              | BOÎTE DE COLLECTEUR           | 1         | 1         | 1       | 1       | 1       | 1       | 1       |
| 21    | 10444-E40   | CONTROL ASSEMBLY - LP      | ASSEMBLÉE DE CONTROLE         | 1/0       | *         | *       | *       | *       | *       | *       |
|       | 10444-E41   | CONTROL ASSEMBLY - NG      | ASSEMBLÉE DE CONTROLE         | 0/1       | *         | *       | *       | *       | *       | *       |
|       | 10444-E50   | CONTROL ASSEMBLY - LP      | ASSEMBLÉE DE CONTROLE         | *         | *         | *       | *       | 1/0     | *       | *       |
|       | 10444-E51   | CONTROL ASSEMBLY - NG      | ASSEMBLÉE DE CONTROLE         | *         | *         | *       | *       | 0/1     | *       | *       |
|       | 10444-E449  | CONTROL ASSEMBLY - LP      | ASSEMBLÉE DE CONTROLE         | *         | 1/0       | 1/0     | *       | *       | *       | *       |
|       | 10444-E459  | CONTROL ASSEMBLY - NG      | ASSEMBLÉE DE CONTROLE         | *         | 0/1       | 0/1     | *       | *       | *       | *       |
|       | 10444-E469  | CONTROL ASSEMBLY - LP      | ASSEMBLÉE DE CONTROLE         | *         | *         | *       | 1/0     | *       | *       | *       |
|       | 10444-E479  | CONTROL ASSEMBLY - NG      | ASSEMBLÉE DE CONTROLE         | *         | *         | *       | 0/1     | *       | *       | *       |
|       | 10444-E549  | CONTROL ASSEMBLY - LP      | ASSEMBLÉE DE CONTROLE         | *         | *         | *       | *       | *       | 1/0     | *       |
|       | 10444-E559  | CONTROL ASSEMBLY - NG      | ASSEMBLÉE DE CONTROLE         | *         | *         | *       | *       | *       | 0/1     | *       |
|       | 10444-E569  | CONTROL ASSEMBLY - LP      | ASSEMBLÉE DE CONTROLE         | *         | *         | *       | *       | *       | *       | 1/0     |
|       | 10444-E579  | CONTROL ASSEMBLY - NG      | ASSEMBLÉE DE CONTROLE         | *         | *         | *       | *       | *       | *       | 0/1     |
| 21A   | S13470-091  | HOSE-SIDE BURNER LP        | TUYAU DU BRULEUR LATERAL PL   | *         | *         | *       | 1/0     | *       | *       | 1/0     |
|       | S13470-132  | HOSE-SIDE BURNER NG        | TUYAU DU BRULEUR LATERAL GN   | *         | *         | *       | 0/1     | *       | *       | 0/1     |
| 21B   | Y-11230     | COTTER PIN                 | ATTACHE DE CHEVILLE           | *         | *         | *       | 1       | *       | *       | 1       |
| 21C   | 10110-40    | TUBE-REAR BURNER ASSY      | TUBE DE BRULEUR ARRIERE       | *         | 1         | 1       | 1       | *       | *       | *       |
|       | 10110-45    | TUBE-REAR BURNER ASSY      | TUBE DE BRULEUR ARRIERE       | *         | *         | *       | *       | *       | 1       | 1       |
| 22    | 10114-20    | HOSE & REGULATOR LP - QCC1 | TUYAU ET REGULATEUR PL - QCC1 | 1/0       | 1/0       | 1/0     | 1/0     | 1/0     | 1/0     | 1/0     |
|       | 10111-K45   | HOSE NATURAL GAS           | TUYAU (GAZ NATUREL)           | 0/1       | 0/1       | 0/1     | 0/1     | 0/1     | 0/1     | 0/1     |
| 23    | 22001-768   | CONTROL KNOB               | BOUTON DE CONTROLE            | 3         | 4         | 4       | 5       | 3       | 4       | 5       |
| 23A   | 10472-E38   | CONTROL BEZEL              | MONTURE DE CONTROLE           | 3         | 4         | 4       | 5       | 3       | 4       | 5       |
| 25    | 10222-E402  | BAFFLE                     | PLAQUE-CHICANE                | 1         | 1         | 1       | 1       | 1       | 1       | 1       |
| 30    | 10194-E433C | CONTROL COVER              | PANNEAU DE CONTROLE           | 1         | *         | *       | *       | *       | *       | *       |
|       | 10194-E477C | CONTROL COVER              | PANNEAU DE CONTROLE           | *         | 1         | *       | *       | *       | *       | *       |
|       | 10194-E433  | CONTROL COVER              | PANNEAU DE CONTROLE           | *         | *         | *       | *       | 1       | *       | *       |
|       | 10194-E477  | CONTROL COVER              | PANNEAU DE CONTROLE           | *         | *         | 1       | *       | *       | 1       | *       |
|       | 10194-E499  | CONTROL COVER              | PANNEAU DE CONTROLE           | *         | *         | *       | 1       | *       | *       | 1       |
| 31    | 10711-E42A  | EDGE CAP - CONTROL COVER   | PAC DE BORD                   | 1         | 1         | 1       | 1       | 1       | 1       | 1       |
| 32    | 10711-E41A  | EDGE CAP - CONTROL COVER   | PAC DE BORD                   | 1         | 1         | 1       | 1       | 1       | 1       | 1       |
| 33    | 10184-E84   | RADIATION SHIELD           | ÉCRAN DE CHALEUR              | 1         | 1         | 1       | 1       | 1       | 1       | 1       |
| 35    | 10184-E501  | SUPPORT-CASTING-LEFT       | SUPPORT GAUCHE DU FOYER       | 1         | 1         | 1       | 1       | 1       | 1       | 1       |
| 36    | 10184-E511  | SUPPORT-CASTING-RIGHT      | SUPPORT DROIT DU FOYER        | 1         | 1         | 1       | 1       | 1       | 1       | 1       |
| 37    | 10184-E651  | SUPPORT-SIDE SHELF-LEFT    | SUPPORT TABLETTE DE GAUCHE    | 2         | 2         | 2       | 2       | 2       | 2       | 2       |
| 37A   | 10184-E63   | SUPPORT-SIDE SHELF-LEFT    | SUPPORT TABLETTE DE GAUCHE    | 2         | 2         | 2       | 2       | 2       | 2       | 2       |
| 38    | 10184-E641  | SUPPORT-SIDE SHELF-RIGHT   | SUPPORT TABLETTE DE DROIT     | 2         | 2         | 2       | 2       | 2       | 2       | 2       |
| 38A   | 10184-E62   | SUPPORT-SIDE SHELF-RIGHT   | SUPPORT TABLETTE DE DROIT     | 2         | 2         | 2       | 2       | 2       | 2       | 2       |
| 39    | 10956-E881  | BRACE-REAR                 | SUPPORT ARRIERE               | 1         | 1         | 1       | 1       | 1       | 1       | 1       |
| 40    | 10958-E81   | BASE                       | TABLETTE INFERIEURE           | 1         | 1         | 1       | 1       | 1       | 1       | 1       |
| 41    | 10956-E591  | BRACE-FRONT                | SUPPORT AVANT                 | 1         | 1         | 1       | 1       | 1       | 1       | 1       |
| 42    | 10958-E75   | DOOR                       | PORTE                         | 2         | 2         | *       | *       | *       | *       | *       |
|       | 10958-E79   | DOOR                       | PORTE                         | *         | *         | 2       | 2       | 2       | 2       | 2       |
| 42A   | 10958-E851  | DOOR - INNER               | PORTE INTÉRIEURE              | 2         | 2         | 2       | 2       | 2       | 2       | 2       |
| 43    | 10958-E761  | SIDE PANEL BLK             | PANNEAU LATERALE              | 2         | 2         | 2       | 2       | 2       | 2       | 2       |
| 44    | 10958-E901  | PANEL - REAR               | PANNEAU - ARRIÈRE             | 1         | 1         | 1       | 1       | 1       | 1       | 1       |
| 45    | 10184-E821  | BRACKET - DOOR CATCH       | CROCHET DE PORTE              | 1         | 1         | 1       | 1       | 1       | 1       | 1       |
| 48    | 10184-E681  | BRACKET - SHELF            | CROCHET - PLANCHETTE          | 2         | 2         | 2       | 2       | 2       | 2       | 2       |
| 49    | 10711-E84   | CONDIMENT BIN              | CASIER DE CONDIMENT           | *         | *         | 2       | 2       | 2       | 2       | 2       |
|       | 10711-E811  | CONDIMENT BIN              | CASIER DE CONDIMENT           | 2         | 2         | *       | *       | *       | *       | *       |



