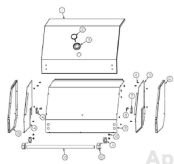


This Owner's Manual is provided and hosted by [Appliance Factory Parts](#).



# VIKING VGBQ4122RE1 Owner's Manual

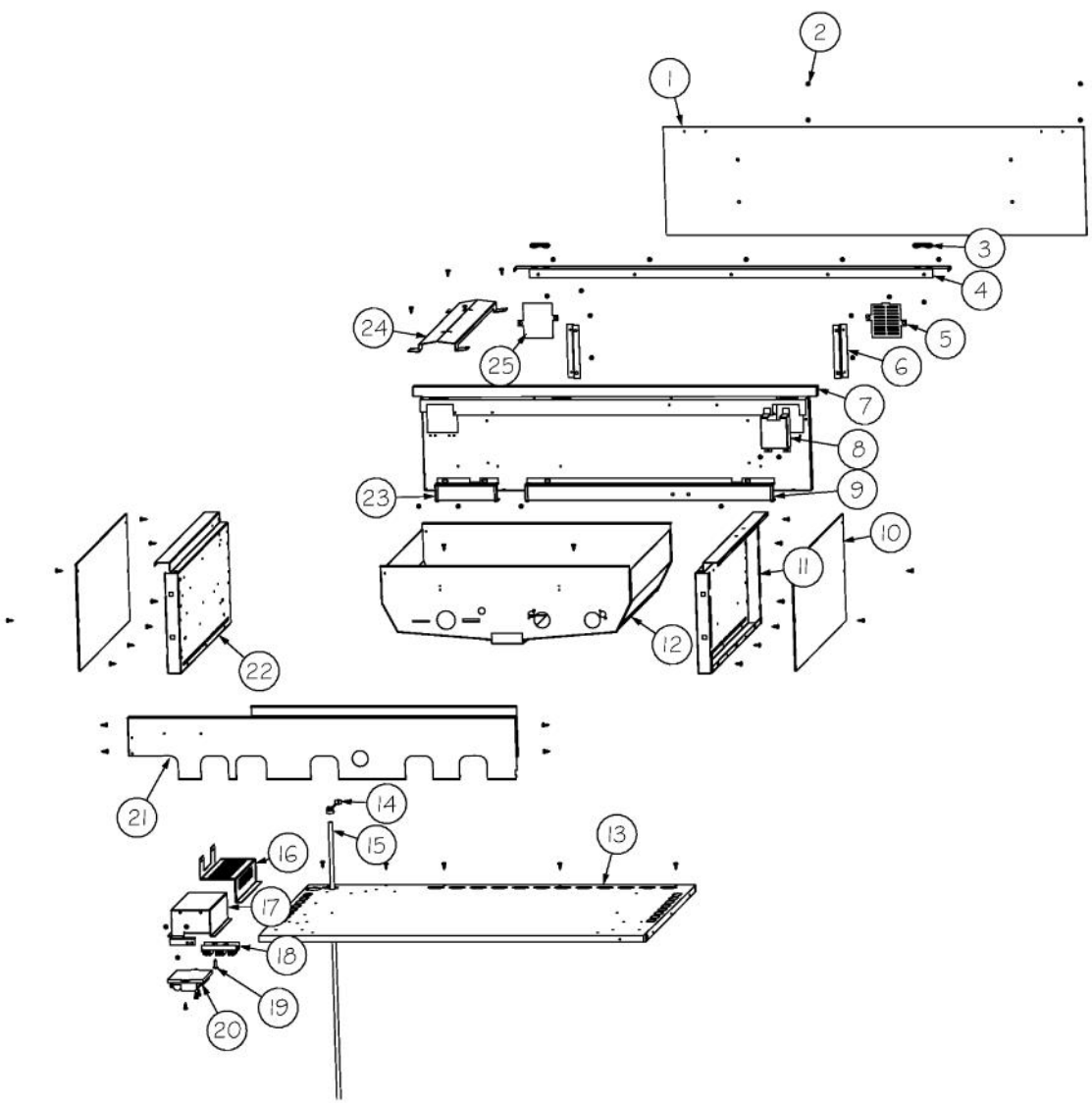
**[Shop genuine replacement parts for VIKING  
VGBQ4122RE1](#)**



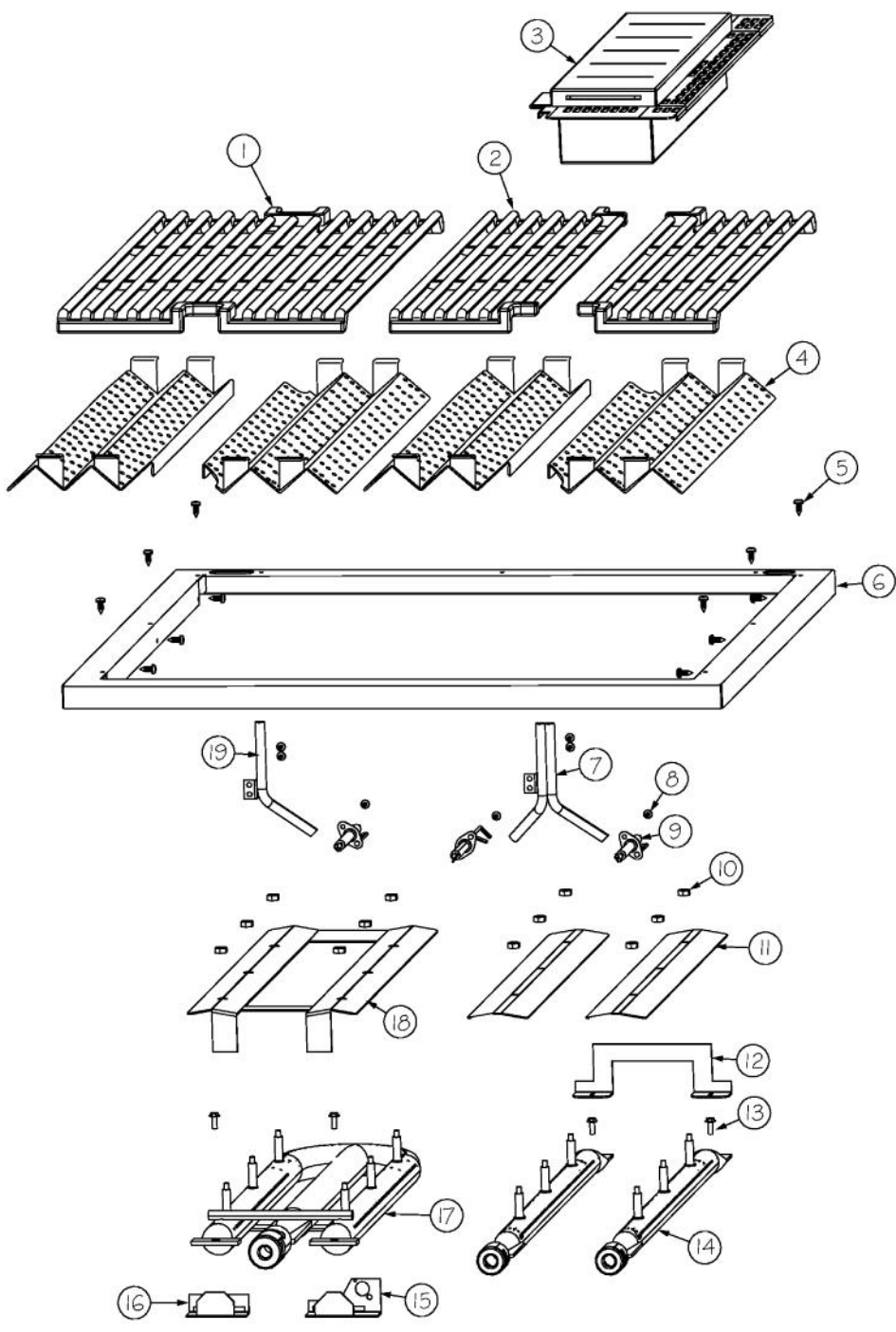
Appliance Factory Parts  
© http://www.appliancefactoryparts.com

**[Find Your VIKING Grill Parts - Select From 210 Models](#)**

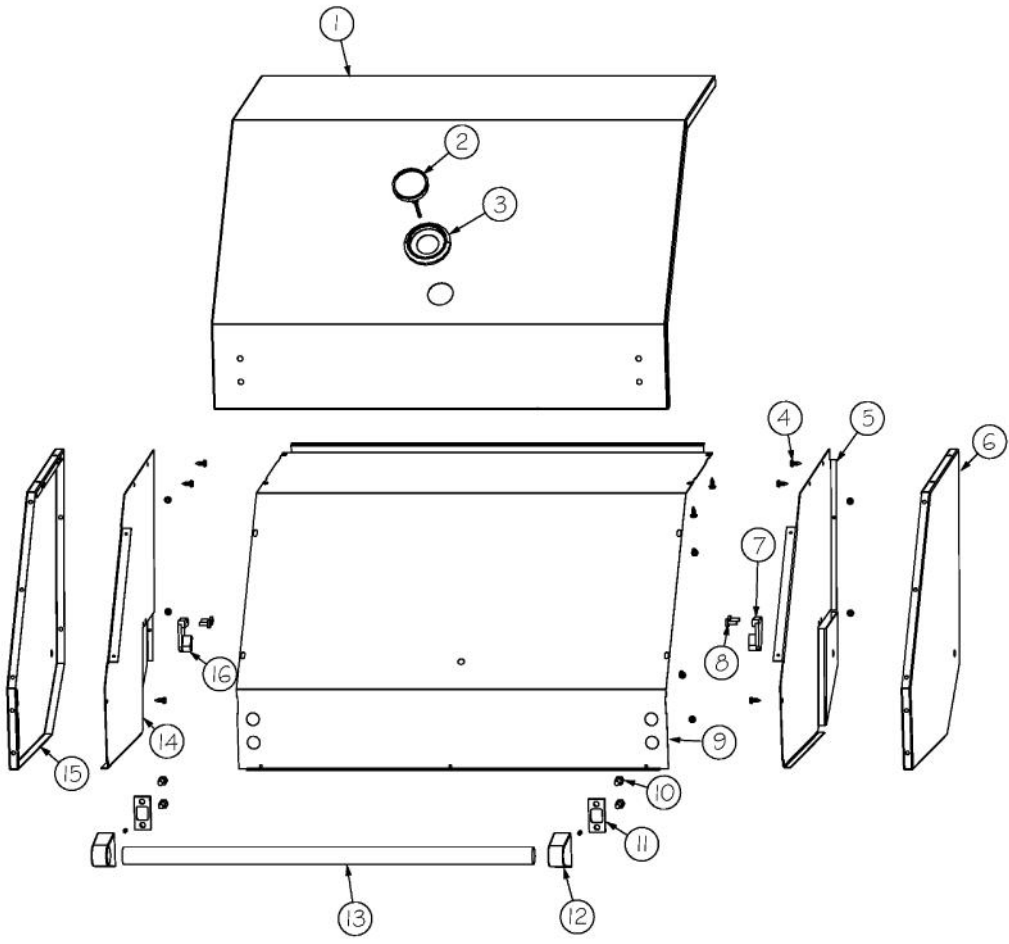
----- Manual continues below -----



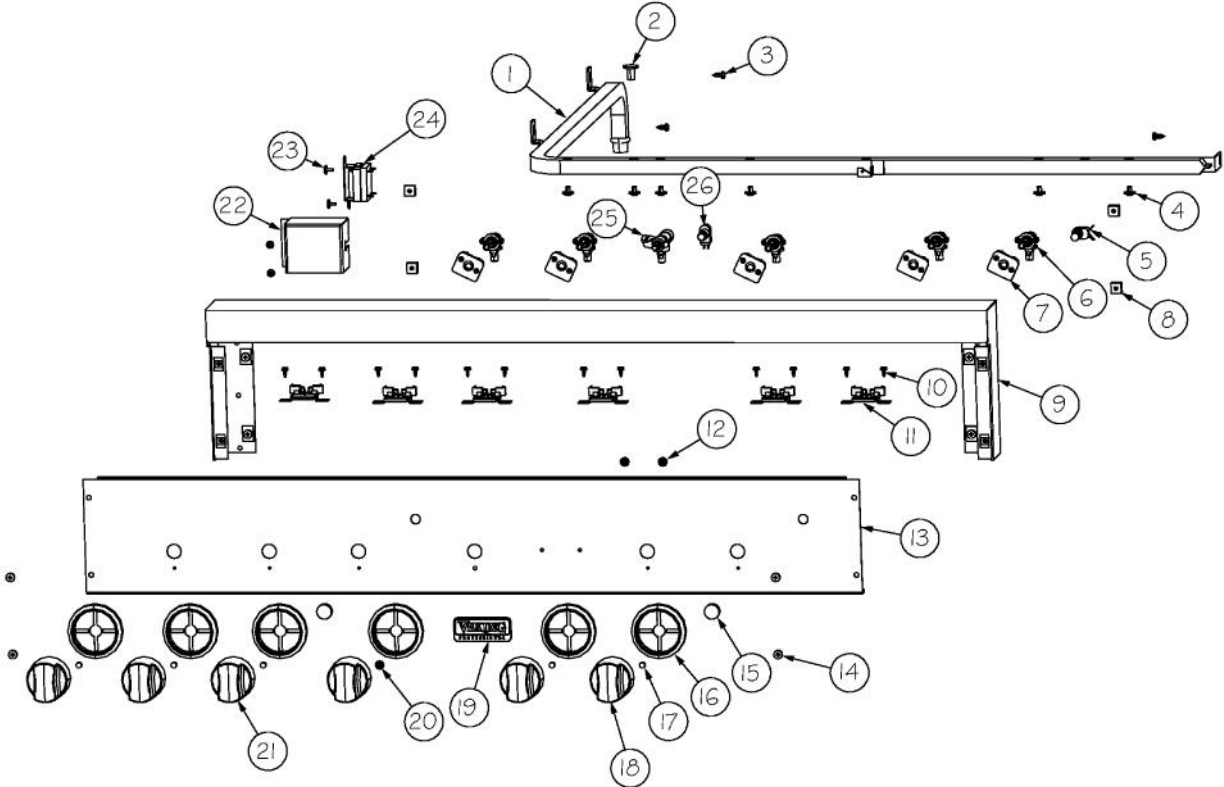
Ref #	Part Number	Qty.	Description
1	L1004881		REAR HEAT SHIELD 41 (PHASE 2)
2	PD020055		NO.10 X 1/2 PAN PHIL. TEK. SS
3	002671-000		RUBBER DOOR BUMPER
4	003857-000		4103 GRILL REAR TRIM
5	002353-000		GRILL PLUG VENT
6	B2006305		HEAT SHIELD BRACKET
7	B20015512		GRILL BOX BACK 41
8	002355-000		GRILL RECEPTACLE BOX
9	A20015411		GRILL WIRE CHANNEL - 41 REAR
10	L1005398		SIDE HEAT SHIELD
11	B2005203		GRILL BOX SIDE RH (PHASE 2)
12	008409-000		BURNER BOX, ASM, RH
13	B20015509		GRILL BOX BOTTOM 41
14	PD040044		SNAP THRU BUSHING 1/4DIA CORD
15	PE070791		GRILL POWER SUPPLY CORD (8 FT)
16	004089-000		POWER CORD SHIELD
17	B30015553		0+6 SPARK MODULE TERMINAL HOUSING
18	PE070855		E SERIES TERMINAL BLOCK
19	PD020014		10X3/4 PH TR HD SMS
20	PA020048		INVENSYS 0+6 RE-IGNITION SPARK MODULE
21	009290-000		SUPPORT, GRL, FR, 412
22	B2005204		PANEL, GRL, LH
23	A20015412		GRILL WIRE CHANNEL - 42 SHORT
24	B2005246		BURNER BOX SHIELD (PHASE 2)
25	002354-000		GRILL PLUG PLATE
NI	019962-000		SERVICE POWER CORD SHIELD KIT



Ref #	Part Number	Qty.	Description
1	002369-000		REDESIGN BBQ GRATE - FULL
2	002370-000		REDESIGN BBQ GRATE - HALF
3	G3005350		SMOKER BOX ASSY (VGBQ3002RT)
4	PK010061		HALF FLAVOR GRID PHASE 2
5	PD020055		NO.10 X 1/2 PAN PHIL. TEK. SS
6	B20015516		GRILL FRAME 30
7	PB020115		SMOKER FLASH TUBE
8	008026-000		NO.6-20 HEX WASHER SS SCREW
9	PB040288		SMOKER BURNER IGNITER
10	PD030060		NO.10-32 KEPS NUT SS
11	006757-000		SMOKER DRIP SHIELD
12	B2005248		FRONT BURNER BRACKET (PHASE 2)
13	PD020048		NO.10 X 1/2 TEK 410 SS SCREW
14	PA080051		SMOKER/GRILL BURNER
15	008181-000		BRCKT, IGNITOR, MT.
16	006011-000		GRILL BURNER FRONT BRACKET
17	004276-000		OUTDOOR GRILL U-BURNER
18	007676-000		DRIP SHIELD, U
19	PB020115		SMOKER FLASH TUBE

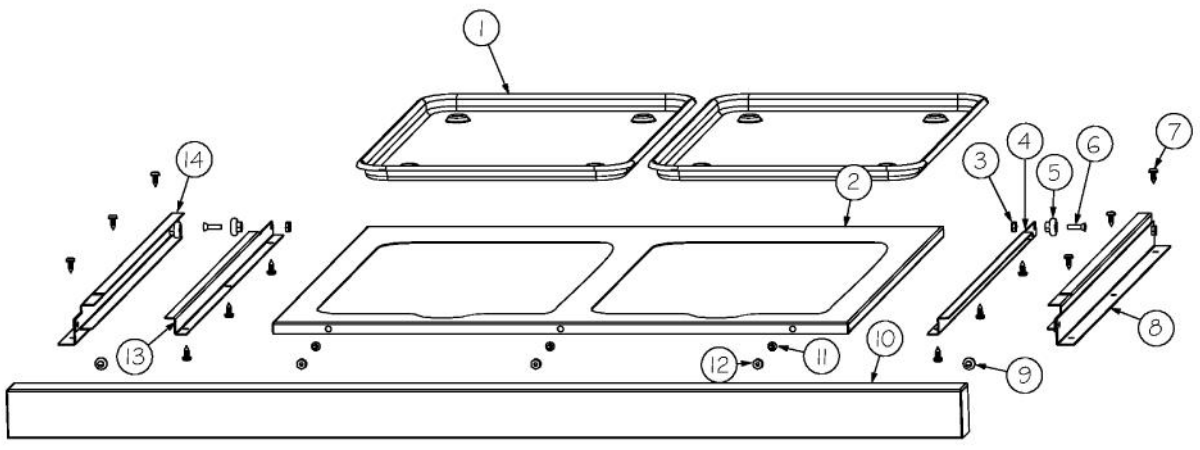


Ref #	Part Number	Qty.	Description
1	003634-000		30 OUTER CANOPY
2	PB010337		GRILL THERMOMETER
3	003366-000		THERMOSTAT BEZEL
4	PD020055		NO.10 X 1/2 PAN PHIL. TEK. SS
5	007379-000		GRILL CANOPY INSIDE RH
6	003630-000		GRILL CANOPY OUTSIDE RH
7	007215-000		CANOPY SPRING END MOUNT-RH
8	PD020056		NO.10-24 X 1/2 PH.TR. M.S. SS
9	003635-000		30 CANOPY HEAT SHIELD
10	PD020069		CAP SCREW 1/4-20 X 3/4 SS
11	PD040010		DOOR HANDLE SPACER
12	000268-000		HANDLE END CAP ASSY
13	PE030041		DOOR HANDLE (CANOPY) XSSX (VGBQ30)
14	003633-000		GRILL CANOPY INSIDE LH
15	003632-000		GRILL CANOPY OUTSIDE LH
16	005941-000		CANOPY SPRING END MOUNT-LH

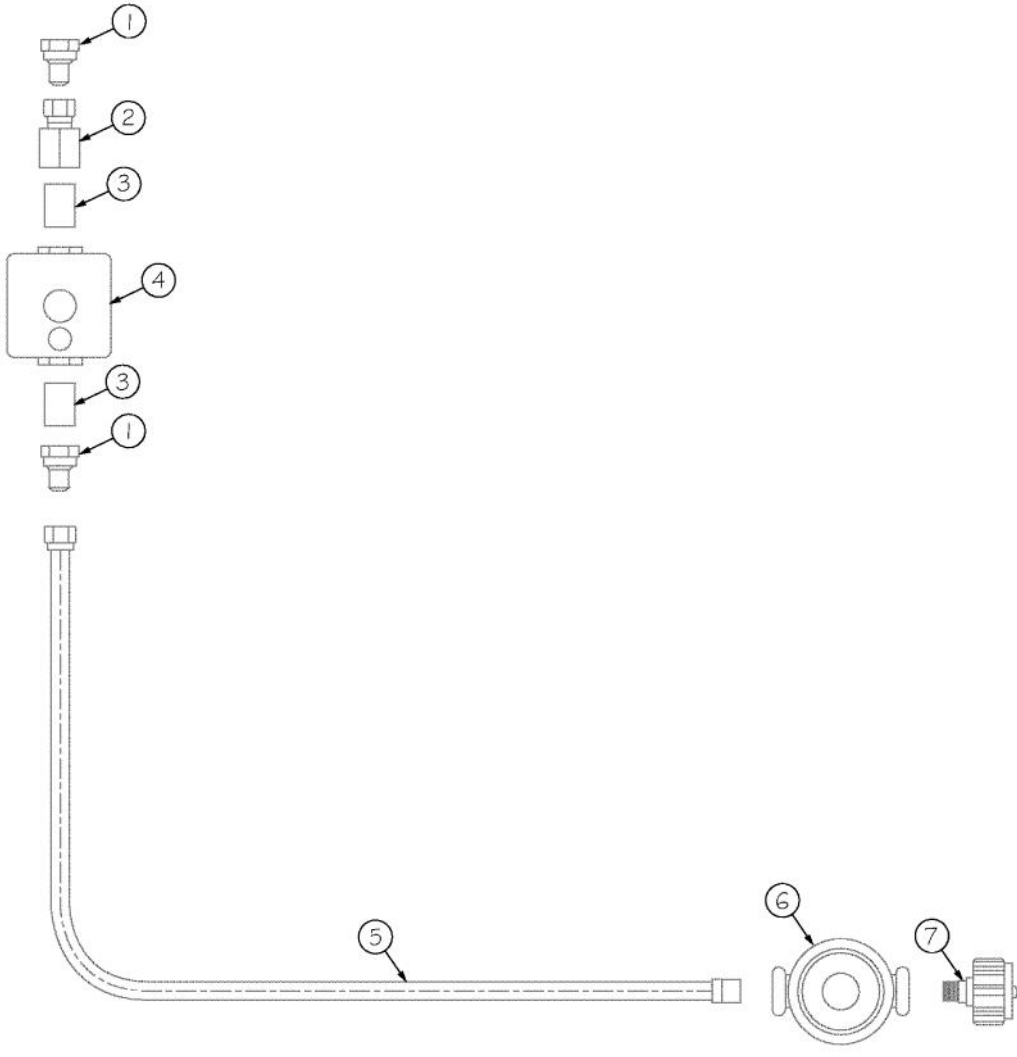




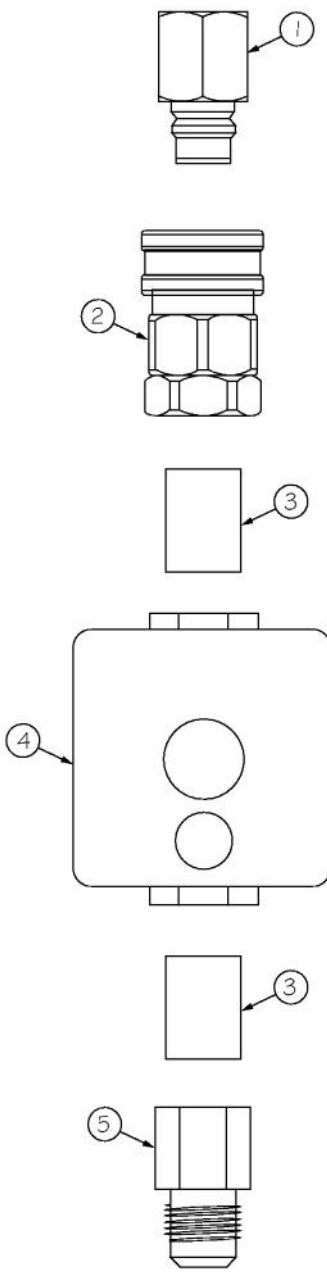
Ref #	Part Number	Qty.	Description
1	PA050069		PHASE2 41 MANIFOLD
2	002884-000		MANIFOLD PLUG
3	PD020055		NO.10 X 1/2 PAN PHIL. TEK. SS
4	PD010012		VALVE BOLT 1/4-20 UNC-2B 5/16 M.S.
5	PE050019		OVEN LIGHT SWITCH (VGSO166) 90-DEG.
6	006390-000		GAS VALVE - NAT.
7	PA020045		IGNITOR SWITCH
8	PD030050		10-24 CAGE NUT SS
9	PK010064		LANDING LEDGE (VGBQ41) T SERIES
10	008026-000		NO.6-20 HEX WASHER SS SCREW
11	005999-000		LED BOARD ASSEMBLY
12	PD030006		CAPPED WASHER PAL NUT
13	006290-000		VGBQ4122RE1 CONTROL PANEL
14	PD020056		NO.10-24 X 1/2 PH.TR. M.S. SS
15	PB010163		OVEN LIGHT SWITCH KNOB BK
16	PB010304		KNOB BEZEL
17	PD020067		NO.6 X 3/8 PAN PHIL. TEK SS
18	003561-000		OUTDOOR GRILL KNOB
19	PE010142		3 LOGO XBKXXCHROME
20	PD020046		NO.8 X 1/2 SCREWS
21	003563-000		ROTIS BURNER KNOB
22	007657-000		PROT. COVER
23	PD020073		SRW NO.10 X 24 X 3/8 WAFER HD TYPE23
24	006021-000		SCE, PWR, LED, 12VAC
25	PB010191		I.R. SAFETY VALVE (PHASE II GRILLS)
26	PE050063		SPARKER SWITCH



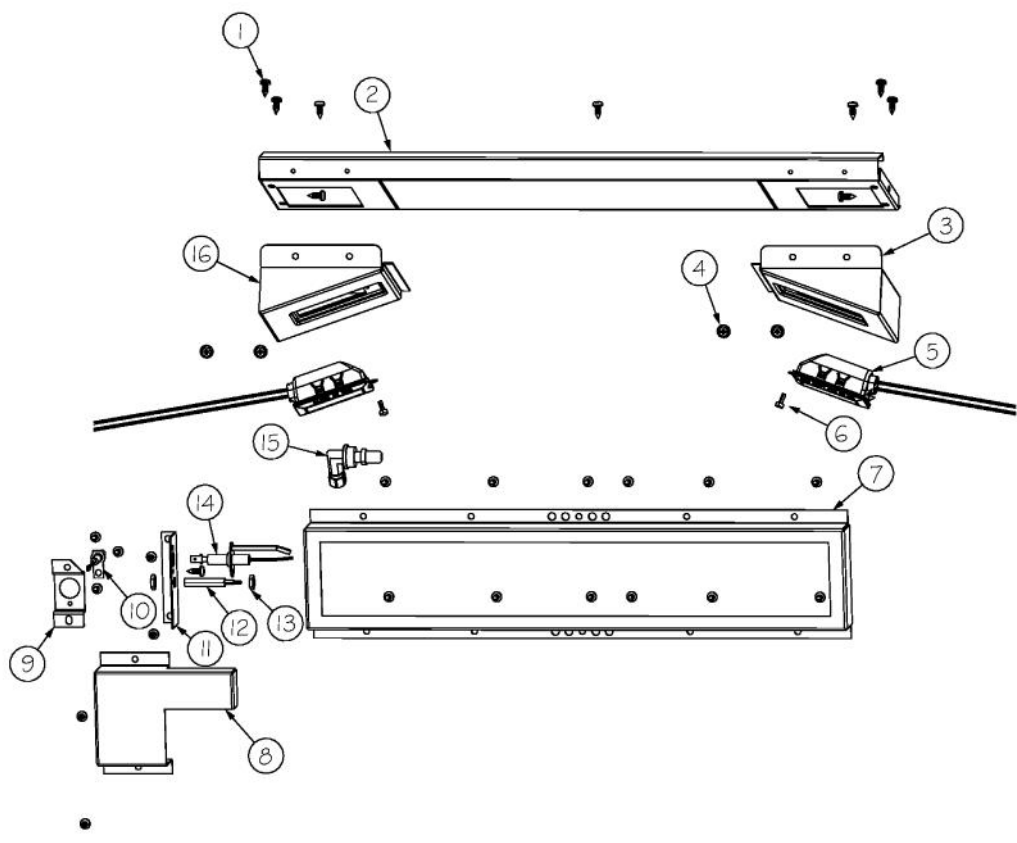
Ref #	Part Number	Qty.	Description
1	PB080061		GREASE PAN
2	B2005311		DRIP TRAY 41 SIDE
3	PD030044		10-24 KEPS NUT SS
4	B2005316		DRIP TRAY RUNNER RH
5	PC020025		DRIP TRAY WHEEL
6	PD020082		10 X 24 COUNTERSUNK S.S. SCREW
7	PD020055		NO.10 X 1/2 PAN PHIL. TEK. SS
8	G3005214		DRIP TRAY SLIDE - LH
9	PD04004		SNAP THRU BUSHING 1/4DIA CORD
10	PK010067		DRIP TRAY HANDLE (VGBQ41) T SERIES
11	PD020056		NO.10-24 X 1/2 PH.TR. M.S. SS
12	PD030044		10-24 KEPS NUT SS
13	B2005317		DRIP TRAY RUNNER LH (PHASE 2)
14	G3005214		DRIP TRAY SLIDE - LH



Ref #	Part Number	Qty.	Description
1	PB040146		1/2 X 3/8 FLARE ADAPTER (VGBQ)
2	PB040235		1/2NPT TO 3/8 FLARE COUPLING
3	PB040046		1/2 CLOSE NIPPLE (VGSO166)
4	PA070005		PRESSURE REG.(LP) RV47L-77-10.0
5	PB020227		HIGH PRESSURE LP HOSE
6	PA070007		LP TANK REGULATOR (VGBQ)
7	PA010138		CYLINDER CONNECTION

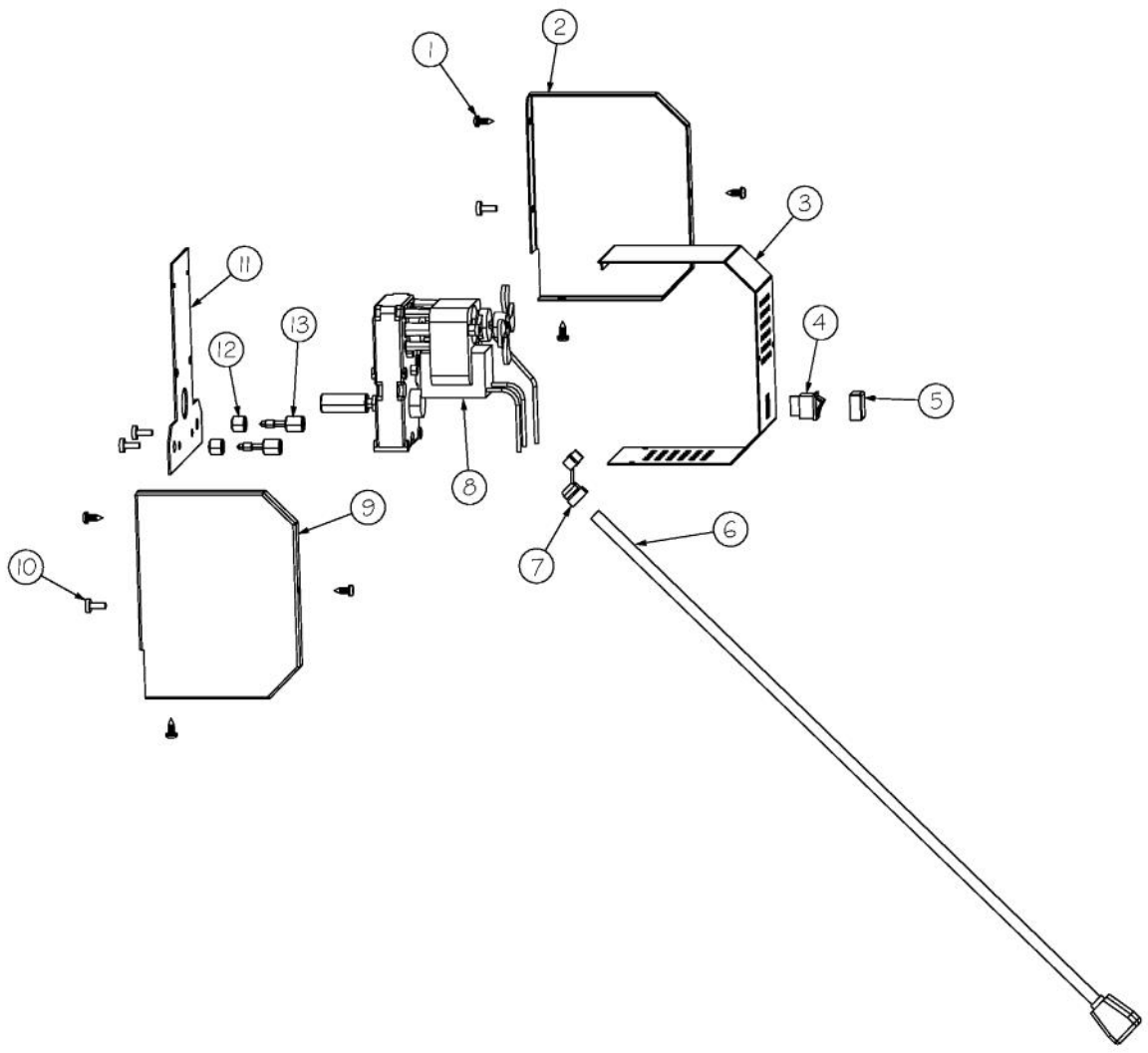


Ref #	Part Number	Qty.	Description
1	PB040167		MALE COUPLER (PHASE 1 GRILL)
2	PB040166		FEMALE COUPLER (PHASE 1 GRILL)
3	PB040046		1/2 CLOSE NIPPLE (VGSO166)
4	PA070006		PRESSURE REGULATOR - NATURAL
5	PB020239		7/8 FLARE TO 1/2 FEMALE CONNECTOR

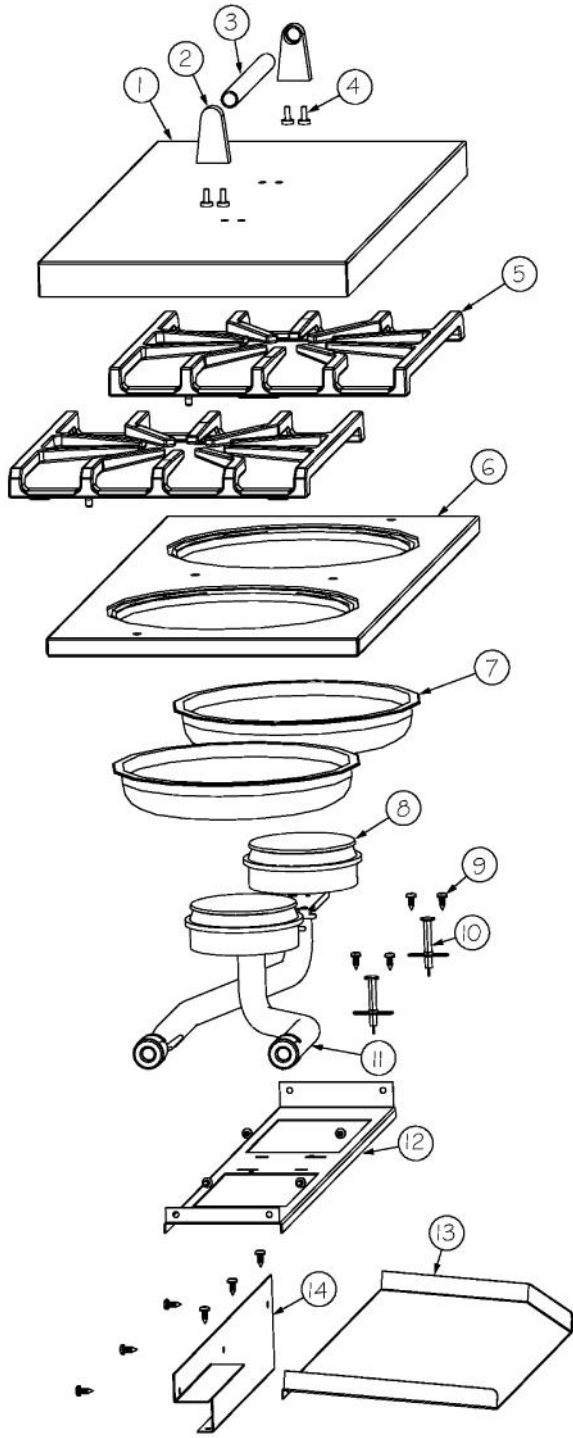




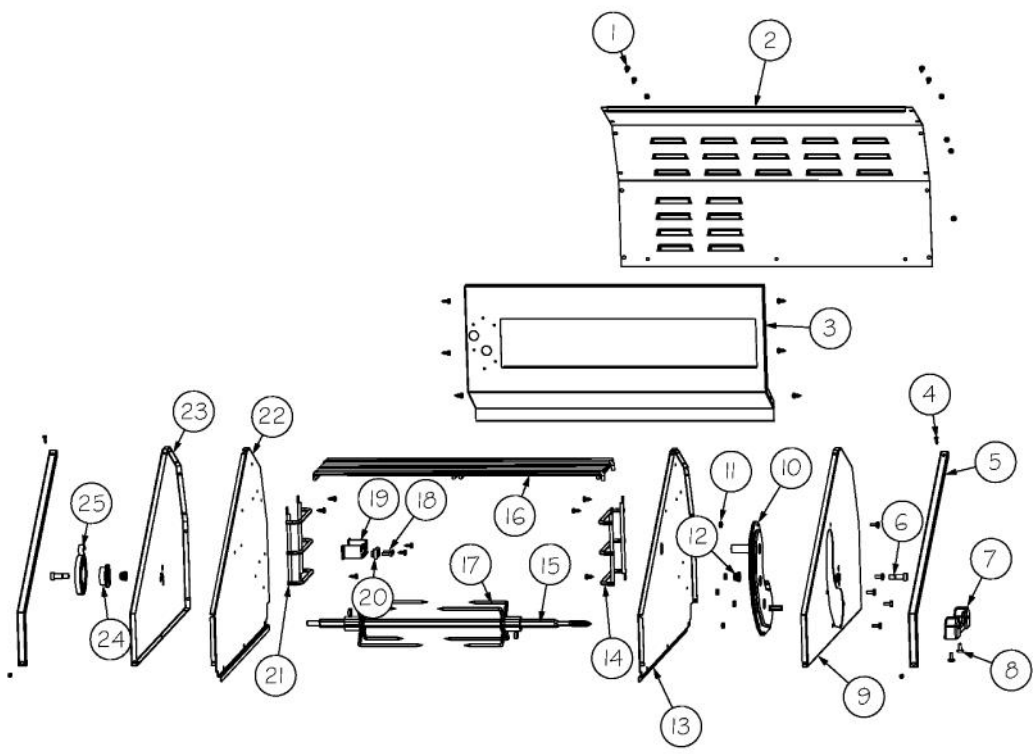
Ref #	Part Number	Qty.	Description
1	PD020055		NO.10 X 1/2 PAN PHIL. TEK. SS
2	E20015559		30 FRONT HOUSING TOP
3	000603-000		GRILL LIGHT HOUSING RH
4	PD020073		SRW NO.10 X 24 X 3/8 WAFER HD TYPE23
5	001310-000		120V HALOGEN LIGHT
6	PD020067		NO.6 X 3/8 PAN PHIL. TEK SS
7	B2005347		INFRARED FRAME
8	B20015402		I/R IGNITOR COVER LH
9	B20015401		FLEXIBLE IGNITOR STANDOFF
10	PB040280		FLEXIBLE ROTISSERIE IGNITOR
11	B20015403		IR IGNITOR BRACKET
12	PB010162		THERMOCOUPLE - BBQ GRILL W/ ROTIS
13	PD030048		THERMOCOUPLE NUT M08-VGBQ-8743300007
14	PB040160		WOK IGNITER
15	PB040124		90 DEG. ORIFICE FITTING
16	000602-000		GRILL LIGHT HOUSING LH



Ref #	Part Number	Qty.	Description
1	PD020055		NO.10 X 1/2 PAN PHIL. TEK. SS
2	B2005285		PHASE II ROTIS BOX FRONT
3	B2005286		PHASE II ROTIS COVER
4	PE050051		ROTIS SWITCH
5	PE050046		ROTIS SWITCH BOOT
6	PE070189		ELECTRICAL SUPPLY CORD - BBQ GRILL
7	PD040044		SNAP THRU BUSHING 1/4DIA CORD
8	PE070184		ROTISSERIE MOTOR
9	B2005284		PHASE II ROTIS BOX FRONT
10	PD020056		NO.10-24 X 1/2 PH.TR. M.S. SS
11	B1005283		ROTIS. MOUNTING PLATE (PHASE 2)
12	PD030064		CAPTURE NUT 1/4 NO.20
13	PD010090		ROTIS FASTENER KNOB
NI	G3205282		ROTIS MOTOR ASSEMBLY (PHASE 2) (INCLUDES ITEMS 1 THRU 13)



Ref #	Part Number	Qty.	Description
1	004459-000		GRILL SIDE BURNER COVER
2	PE030187		ENDCAP, TUBE
3	PE030197		VGIQ30 COVER HANDLE
4	PD020056		NO.10-24 X 1/2 PH.TR. M.S. SS
5	003082-000		OUTDOOR SPIDER GRATE
6	004461-000		41 GRILL SIDE BURNER GRATE SUPPORT
7	PA030002		BURNER BOWL
8	004277-000		SS BURNER ASM, FRONT SIDE
9	PD020055		NO.10 X 1/2 PAN PHIL. TEK. SS
10	PA020028		SPARK IGNITER
11	004278-000		SS BURNER ASM, REAR TOP
12	B2005260		PHASE II BURNER SUPPORT
13	B20015507		GREASE DIVERTER
14	B20015506		SIDE BURNER DRIP SHIELD



Ref #	Part Number	Qty.	Description
1	PD020055		NO.10 X 1/2 PAN PHIL. TEK. SS
2	003652-000		30 GRILL REAR COVER
3	G91015522		FRONT HOUSING ASSY (VGIQ3002RT)
4	000394-000		NO.8 SS TECH SCREW - COUNTERSINK
5	B20015574		GRILL WINDSHIELD TRIM
6	PD010043		5/16INCH SHOULDER BOLT (PHASE 2)
7	PB060055		ROTISSERIE MOUNT CASTING
8	PD020056		NO.10-24 X 1/2 PH.TR. M.S. SS
9	B20015575		OUTSIDE WINDSHIELD - RH
10	PC070024		ROTIS. GEAR BOX ASSY
11	PD030044		10-24 KEPS NUT SS
12	G5005257		OUTSIDE WINDSHIELD ASSY LH
13	B20015418		INSIDE WINDSHIELD RH
14	PB060112		WARMING RACK SUPPORT RH
15	PB060054		ROTISSERIE SPIT ROD 30
16	PB060057		WARMING RACK 30
17	PB060058		SPIT FORK
18	PD020082		10 X 24 COUNTERSUNK S.S. SCREW
19	PC020025		DRIP TRAY WHEEL
20	B2005278		ROTISSERIE ROLLER BRACKET (PHASE 2)
21	PB060113		WARMING RACK SUPPORT LH
22	B20015419		INSIDE WINDSHIELD LH
23	B20015576		OUTSIDE WINDSHIELD-LH
24	005942-000		SPRING INDEX
25	003746-000		FLAT TORSION SPRING FOR OUTDOOR GRILL CANOPY

*No Image  
Available*



Ref #	Part Number	Qty.	Description
NI	PE070814	1	WIRE HARNESS (VGBQ4122RE)
NI	G40016229	1	IGNITOR WIRE 34
NI	G40016230	1	IGNITOR WIRE 40
NI	G40016234	1	IGNITOR WIRE 22
NI	G40016228	1	IGNITOR WIRE 25
NI	025323-000	1	HARNESS, WIRE, ROTISSERIE
NI	006021-000	1	SCE, PWR, LED, 12VAC
NI	005999-000	6	LED BOARD ASSEMBLY
NI	006017-000	3	LED WIRE 4.875
NI	006018-000	2	LED WIRE 8.75
NI	006019-000	1	LED WIRE 10.75
NI	006384-000	1	30 & 41 WIRE ASSEMBLY