

This Owner's Manual is provided and hosted by [Appliance Factory Parts](#).



Haier RWT400AW Owner's Manual

[Shop genuine replacement parts for Haier RWT400AW](#)



[Find Your Haier Washer Parts - Select From 146 Models](#)

----- Manual continues below -----

Top Load Clothes Washer



User Manual
Model # RWT200AW, RWT300AW, RWT400AW

Haier

Quality . Innovation . Style

IMPORTANT SAFETY INSTRUCTIONS

Warning - To reduce the risk of fire, electric shock, or injury to persons when using your appliance, follow basic precautions, including the following:

1. Read all instructions before using the appliance.
2. Use this appliance only for its intended purpose as described in this use and care guide.
3. Use only detergents or softeners recommended for use in a clothes washer and keep them out of the reach of children.
4. This washer must be properly installed in accordance with the installation instructions before it is used.
5. Never unplug your washer by pulling on the power cord. Always grasp the plug firmly and pull straight out from the outlet.
6. Replace immediately worn power cords, loose plugs/power outlets.
7. Unplug your washer before cleaning.
8. If your old washer is not being used, we recommend that you remove the door. This will reduce the possibility of danger to children.
9. Do not operate your washer in the presence of explosive flames.
10. Do not use washer to wash clothes soaked, spotted or washed in gasoline, dry cleaning solvents or any other explosive or flammable substances that could ignite and explode.
11. Clothes or rags used to clean flammable or explosive materials should not be washed in the washer till all traces of this material has been removed, to avoid an accident.
12. Do not add or mix any flammable or explosive substances to the wash.
13. Do not try to remove clothes while the tub or the agitator is moving. Let it come to a complete stop before use.
14. Washer loading door must be closed when agitator and tub is spinning.
15. Do not operate your washer when parts are missing or parts are broken.
16. Do not use the washer for commercial clothes washing.
17. Do not operate washer unless all enclosure panels are properly in place.
18. Do not tamper with controls.

19. To reduce risk of injury do not allow children to play in or on the washer.
20. Washer must be connected to proper electrical outlet with the correct electrical supply.
21. Proper grounding must be ensured to reduce the risk of shock or fire. **DO NOT CUT OR REMOVE THE GROUNDING PLUG.** If you do not have a 3-prong electric receptacle outlet in the wall, have a certified electrician install the proper receptacle. The wall receptacle **MUST** be properly grounded.
22. Hydrogen gas may be produced if the water heater has not been used in more than 2 weeks. This could be explosive and can explode under certain circumstances. If this is the case, before using the washer, turn on all the hot water faucet' s and let the hot water run for a few minutes. This will let the trapped hydrogen escape. During this process do not turn on an electric appliance, smoke, light a match/lighter or use a flame to avoid an accident, as hydrogen gas is flammable and can explode.

SAVE THESE INSTRUCTIONS

For Future Use

DANGER

Risk of child entrapment. Before you throw away your old washer, take off the door so that children may not easily get trapped inside.

Thank you for using our Haier product. This easy-to-use manual will guide you in getting the best use of your washer.

Model number

Serial number

Remember to record the model and serial number. They are on a label in back of the washer.

Date of purchase

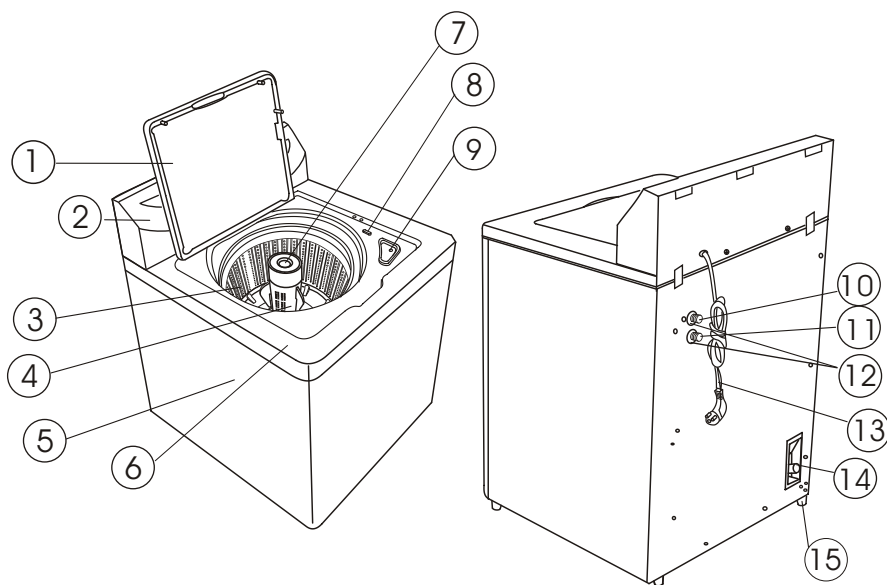
Staple your receipt to your manual. **You will need it to obtain warranty service.**

Table Of Contents

	PAGE
SAFETY INSTRUCTIONS	1
OPERATING INSTRUCTIONS	4
Parts and Features.....	4
Operations	5
Normal Operating Sounds.....	12
Lint Filter	13
Safety Lid Switch.....	13
Care and Cleaning Guide	14
Cleaning and Maintenance	14
Moving and Vacationing.....	15
Storage of Your Washer	15
Troubleshooting	16
INSTALLATION INSTRUCTIONS	18
Tools and Materials Required.....	18
Unpacking Your Washer.....	19
Leveling Your Washer	19
Steps for Installation	20
Electrical Connections	22
Grounding Instructions	22
Power Interruptions	22
Warranty	23

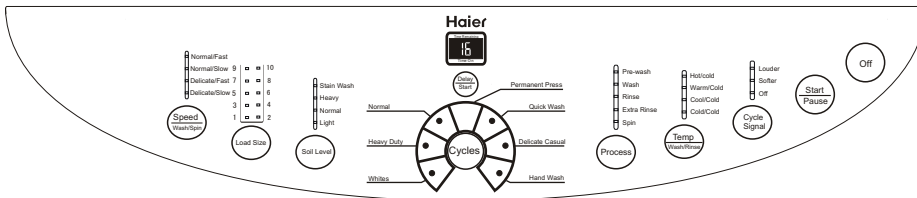
OPERATING INSTRUCTIONS

Parts and Features



- | | |
|-------------------------------------|------------------------------|
| 1. Top Lid | 8. Door Switch |
| 2. Control Panel | 9. Bleach Injection Inlet |
| 3. Inner Wash Tub | 10. Cold Water Inlet Valve |
| 4. Agitator | 11. Hot Water Inlet Valve |
| 5. Cabinet | 12. Water Absorption Cushion |
| 6. Control Panel Seat | 13. Power Line |
| 7. Liquid Fabric Softener Dispenser | 14. Drain Hose Joint |
| | 15. Adjustable Feet (4) |

Operations



Note: Features may vary per model.

Delay Start

- When not activated, the display shows a cycles' remaining time through the wash process.
- When Delay Start is selected, the indicator light will display a minimum delay of 2 hours. Push button once for every additional 1 hour delay for up to 24 hours.

Cycles

- Normal - For regular washing.
- Heavy Duty - For washing bigger, thicker and heavily soiled laundry.
- Whites - For washing cotton fabrics and whites
- Quick Wash - For quick washing of lightly soiled laundry.
- Delicate Casual - For washing of delicate fabrics.
- Hand Wash - To have hand wash effect on clothes.
- Permanent Press-This cycle is for heavy-duty fabrics or synthetics.

Soil level

- Selecting clothes soil level.
- Wash cycle increases 2 minutes for every soil level increased.

Load Size

- Water levels may be set at beginning of the wash or pause.
- During Pre-wash, Wash or Rinse, press this button to manually replenish water. Release to stop. Function automatically is inactive when water reaches overflow protection level.

Speed Wash/Spin

- Select spin speed when program is in Normal or Delicate Casual cycle.

- Note:
- Flashing light indicates the program is running.
 - Steady light indicates the program is the selected mode or is about to operate.

Off

- Push the button once to shut off the power

Start /Pause

- Once washer is powered and selection are chose push this button once to Start the wash.
- While unite is working push this button once to pause it.
- If unit is in Pause mode,push this button once to resume operation.

Cycle Signal

- Signal volume can be adjusted soft-loud or off.

Temperature Wash /Rinse

- To select inlet water temperature for wash and rinse.

Process Select

This is to select a wash process.

- Pre-wash will not work in the Hand Wash, Delicate Casual and Quick Wash Cycles.
- Water level indicator will shut off if only Spin is selected.
- Once a program is selected press the Process Select button to have Extra Rinse. The washer will add a Extra Rinse.

Delay Start Indicator

- Indicates remaining minutes when cycle is in progress.
- Indicates remaining hours during delay process.
- Indicates faults codes or conditions that are not normal.

Operating Procedure

1. Press power on button

- The washer will now be in the working status in the Normal cycle
- If Start/Pause button isn't pressed within 5 minutes after powering on the unit will automatically switch off and return to stand by mode.
- The washer will also return to stand by mode immediately after completion of the wash process.
- Regardless of settings by pressing the Power On/Off button all programs will stop and the unit enters stand by mode.
- The washer has intelligent wash resumption. If the power was interrupted at the power source and then when the power is resumed the washer will resume working at the stopped position.

2. Selection of Cycles

- When the washer is powered on the Normal cycle is the default cycle. If other cycle is required press the cycle button for desired program.

3. Process Select

- Once the power is switched on the washing machine will automatically set the Normal cycle which will Wash, Rinse and Spin. If other selection combinations are desired, press the Process Select button to choose.

Note: Spin shall begin after some time even if there is no water in the tub. Do not use Pre-wash process for woolen articles. Clothes prone to fade and other clothes shall be washed separately .

Process Selecting

Times of pressing Process(Normal, Heavy Duty and White)	Selected Processes	Applications	Operation (the on indicator represent the processes to run)	Times of pressing Process(Quick Wash, Delicate Casual or Hand Wash)
0	Wash, Rinse, Spin	Common clothes needing wash, rinse & spin	<input checked="" type="checkbox"/> Pre-wash <input type="checkbox"/> Wash <input type="checkbox"/> Rinse <input type="checkbox"/> Extra Rinse <input type="checkbox"/> Spin	0
1	Wash(Wash water remains in the tub)	Repeatedly use the wash water	<input checked="" type="checkbox"/> Pre-wash <input type="checkbox"/> Wash <input checked="" type="checkbox"/> Rinse <input type="checkbox"/> Extra Rinse <input checked="" type="checkbox"/> Spin	1
2	Wash, rinse(Rinse Water remains in the tub)	Repeatedly use the rinse water	<input checked="" type="checkbox"/> Pre-wash <input type="checkbox"/> Wash <input type="checkbox"/> Rinse <input checked="" type="checkbox"/> Extra Rinse <input checked="" type="checkbox"/> Spin	2
3	Rinse, Spin	When rinse and spin are needed after hand wash	<input checked="" type="checkbox"/> Pre-wash <input checked="" type="checkbox"/> Wash <input type="checkbox"/> Rinse <input type="checkbox"/> Extra Rinse <input type="checkbox"/> Spin	3
4	Extra Rinse	When the clothes need Extra Rinse	<input type="checkbox"/> Pre-wash <input type="checkbox"/> Wash <input type="checkbox"/> Rinse <input type="checkbox"/> Extra Rinse <input type="checkbox"/> Spin	/
5	Wash, Rinse, Extra Rinse/Spin		<input checked="" type="checkbox"/> Pre-wash <input type="checkbox"/> Wash <input type="checkbox"/> Rinse <input type="checkbox"/> Extra Rinse <input type="checkbox"/> Spin	4
6	Spin (to spin after drain)	When only spin is needed after hand wash (first drain and then spin)	<input checked="" type="checkbox"/> Pre-wash <input checked="" type="checkbox"/> Wash <input checked="" type="checkbox"/> Rinse <input type="checkbox"/> Extra Rinse <input type="checkbox"/> Spin	5
7	Pre-wash, Wash Rinse, Spin	For heavily soiled clothes shirt cuffs and collars, first Pre-wash and then wash	<input type="checkbox"/> Pre-wash <input type="checkbox"/> Wash <input type="checkbox"/> Rinse <input checked="" type="checkbox"/> Extra Rinse <input type="checkbox"/> Spin	/

4. Load Size

- After Wash Cycle selection press the Load Size button to select the proper water level for wash.

Note: See chart below for Load Size selection.

5. Speed Wash/Spin

- Once the power is switched on the machine will automatically set to Normal/Fast.Press button to change selection. (See page 5)

6. Soil Level

- When the washer is powered the machine will automatically set at Normal. Select different soil levels by pressing button.

7. Temperature Wash/Rinse

- Initial setting is Warm/Cold when washer is powered on. Press button to change selection based on clothes put in the washer.

8. Cycle Signal

- This is set at Low when washer is started. Press button to adjust.

9. Delay Start

- To start the washer at a later time press the Delay Start button and set the time.
- When activated the indicator displays 2. Push button once for every 1 hour delay for up to 24 hours
- Press Start button to activate Delay Start.
- When the delay timer starts the program select indicator turns off. The indicator will display The remaining time to turn on the unit. In the lower right corner of the display, a blinking light will indicate that Delay Start has been activated.
- By pressing the Delay/Start button the selected Process programs will be displayed.
- By altering the running program, the washer will have to be reset.

10. Start/Pause

- Press this button when you want the machine to start.
- During operation press this button to pause and press it again to resume operation.

Note: By opening the top lid will stop the machine except for water filling or draining.

Time list of each program (minute)

Program	Total Time(min)	
	Including Pre-wash	Not including Pre-wash
White	About 75-81	About 45-51
Heavy Duty	About 77-83	About 47-53
Normal	About 59-69	About 39-49
Quick Wash		About 25
Delicate Casual		About 36-42
Hand Wash		About 38-44

Note: Total time may be affected by water inlet and drain time. It may also be affected by the water pressure. Normal, Heavy Duty and White programs could combine the process of Pre-wash during which the washing machine first Pre-wash for about 20-30 minutes with slight agitation after water filling and then begins to wash.

Loading the Washer:

- Load each item loosely.
- Separate the white and colored clothes. Separate heavy clothes from light clothes.
- Carefully check all pockets and cuffs for small items.
- They can easily slide in to the tub and may damage the tub.
- Pre-treat all stains and heavily soiled areas for best results.
- Do not overload your washer
- When loading wet items, keep water level high enough so items can float easily in the water.
- Avoid wrapping large items such as bed sheets around the agitator.
- Close the door properly after loading the clothes. If you keep the lid up, the agitation will not start.

Proper Use of Detergent:

- It is good washing practice to add the detergent to the water before you add the clothes so that the detergent can work effectively on your clothes.

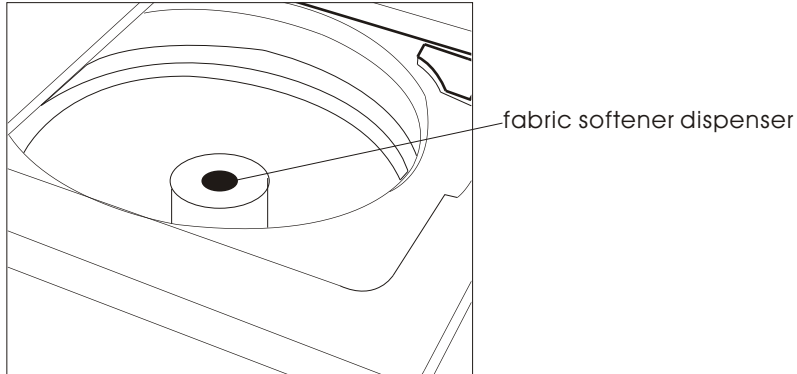
Note: You can use less or more detergent depending on the size of the load, water type in your living area, whether it is soft or hard and whether the clothes are heavily soiled or lightly soiled.

Fabric Softener Dispenser:

- The fabric softener dispenser is located on the top of the agitator. Dispenser will automatically release liquid fabric softener at proper time during rinse cycle.

Steps to use the dispenser:

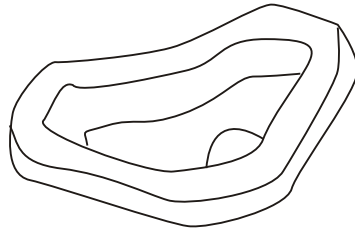
1. Pour in liquid fabric softener into dispenser as recommended by the manufacturer.
2. Add water up to its fill level, but do not exceed the level.



- Warning:**
- Never pour fabric softener directly onto clothes because it will stain your clothes or you may get spots on your clothes.
 - Do not stop washer during its first spin or dispenser will automatically release the softener in to the wash load.
 - Do not use powder form of softener into dispenser otherwise it will clog up the dispenser. This dispenser is only designed for liquid form.

Bleach Dispenser:

- Bleach dispenser is located on front corner under the loading door.
- Pour in recommended amount of bleach into dispenser during the first wash fill.



Note: Use only liquid bleach in dispenser

- Warning:**
- Be careful not to spill undiluted bleach on the washer cabinet or your clothes. As it is a strong chemical, it may damage some of your clothes or the finish of the washer if not properly diluted.
 - Use the manufacturer's chart, on product container for recommended use of liquid or powder bleach.

Normal Operating Sounds

The following sounds are normally heard during the operation of the washer:

- **Tumbling sounds:** This is normal as the heavy wet clothes in the Washer are continuously being tossed around.
- **Air rushing noise:** This happens when the Washer tub spins at very high RPM.
- Wash and Rinse cycles going on and off will also make clicking sounds.

Lint Filter

- The lint filter must be used during washing.
- It must be cleaned in time after each using.

1. Take off the lint filter.

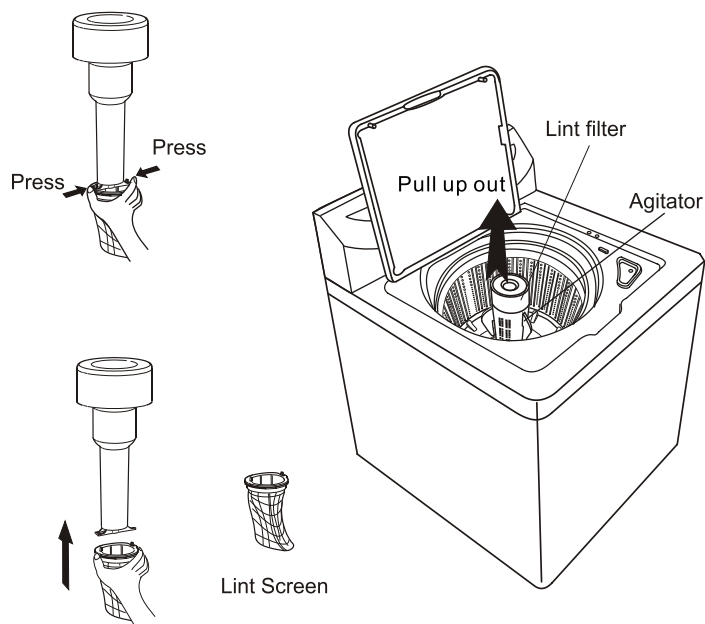
Pull up the lint filter from the agitator

2. Remove lint

Press the lint screen clip with your thumb and index finger, and get the screen downward as shown in figure below. While wet, remove the lint from the screen.

3. Install the lint filter

After cleaning, install the screen back onto the lint filter. Then put the lint filter back in the agitator barrel.



Safety Lid Switch

- If for any reason you open the lid in the middle of the wash cycle, the washer will not spin and will shut off automatically. Once the lid is closed, the washer will start back on.

Care and Cleaning Guide

Warning: Always unplug your washer to avoid electric shock before cleaning. Ignoring this warning may result in death or injury. Before using cleaning products, always read and follow manufacturer's instructions and warnings to avoid personal injury or product damage.

Cleaning and Maintenance

- Use Only damp or sudsy cloth for cleaning control panel.
- To avoid any kind of damage to cabinet finish, wipe washer cabinet as needed. If you spill liquid/powdered softener, bleach or detergent on the cabinet, wipe cabinet immediately because it can damage the finish.
- Do not use any abrasive, harsh chemicals, ammonia, chlorine bleach, concentrated detergent, solvents or metal scouring pads. Some of these chemicals may dissolve, damage and/or discolor your washer.
- Remove pins or other sharp objects from clothes to prevent scratching of interior parts.
- Leave Lid open after you are done washing to allow inside of washer to dry and prevent bad odors.

Moving & Vacationing

- Turn off water supply faucet's and disconnect hoses. Drain water from all hoses. This will prevent from damaging due to water leakage if the hoses accidentally get ruptured or they become loose.
- Disconnect electrical plug.
- Dry inner wash tub. If moving washer, disconnect drain hose.
- Turn the leveling legs clockwise all the way in.
- Move and store your washer in upright position only.
- To prevent mold or mildew, leave lid open so moisture inside machine can evaporate.

Storage of Your Washer in Cold Environment

- The Washer must be stored at room temperature.
- If you just got delivery of a washer when outside temperature is below freezing, do not operate until washer has warmed to room temperature.
- Do not install or operate your washer where room temperature is below freezing.

Troubleshooting

Washer does not operate:

- Check if unit is plugged in. The plug may have come loose.
- Check if the electrical wall receptacle is of proper voltage.
- Check if the circuit breaker needs to be reset or if the fuse needs to be replaced.
- Check if the washer is overloaded: load may need to be re-balanced and clothes may need to be redistributed.
- Check if the lid is open. You may have to close the lid properly.
- The washer pauses in some cycles. This is normal in delicate or hand-washable cycle, which has short soak period where your clothes are being soaked for very short period of time. You will not hear washer operation for a short period of time. When the soak time is over, it will start automatically.

Problems with water:

- Not enough water coming out: Water faucet may need to be turned on fully. Water hoses may be tangled up or wrinkled up. Straighten up hoses. Check water level selection, it may need to be readjusted.
- Water Temperature is incorrect: Check your water heater temperature. Hot water needs to be at a temperature at least 120° F. - 140° F (49° C - 60° C.). Check to make sure the inlet hoses are properly connected. (e.g. hot to hot & cold to cold)
- Water leaks: This is due to not properly installing drain hose or fill hoses. Your home drain may be clogged or having constant water pressure. You may need to tighten hoses, check the plumbing or call a plumber.
- Water will not drain: This is due to not installing your drain hose properly. You may need to connect the drain hose properly. Check the position of the drain hose. In order to drain properly, make sure that top of drain outlet is less than 4 ft. (1.2 m) above the floor.

Washer is making noise:

- Washer may need to be reinstalled. (Check washer installation section)
- Washer load may need to be re-balanced, as the load may be uneven.
- Coins, loose change, buttons or other heavy objects could make noise (read Operating Guide - Normal Operating Sounds).
- Squealing Sound: Due to overloaded wash tub.
- Vibration Noise: Due to not leveling washer properly on the floor and uneven distribution of clothes in the tub.

Problems with clothes:

- Clothes are too wrinkled: this is due to improper sorting, overloading and washing in too hot water repeatedly. Avoid overloading and resort your load. Do not mix heavy clothes such as work clothes with light clothes such as blouses, light shirts and delicate items. You may need to wash in warm or cold water.
- Have soap residue: detergent may not be dissolving in water. Check water temperature or you need to add detergent as wash tub is being filled with water before you load your clothes to avoid soap residue on clothes.
- Spots or stains on your clothes: this is due to incorrect use of fabric softener. You may need to read proper instructions on the container and follow proper directions for using the softener.
- Clothes are grayed or yellowed: this is due to not pouring enough detergent for large loads. You may have to add more detergent to the load.
- Clothes are ripped & have holes/excessive wear & tear: this is due to sharp objects such as pins and belt buckles left in pockets. You will need to remove small loose sharp objects. Fasten belts, zippers, metal snaps etc. Check if you are using undiluted bleach. Never add undiluted bleach to wash.

Note:

Trouble Codes	Reason
E0	Top lid not closed during delay start sequence
E1	Blockage of drain hose
E2	Top lid not closed during wash Operation
E4	The water inlet time exceeds the preset time(40 minutes)

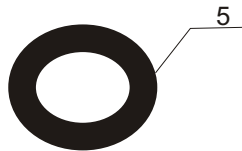
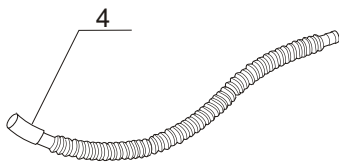
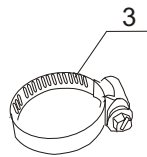
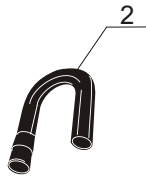
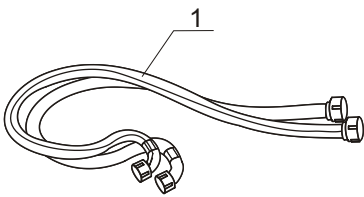
INSTALLATION INSTRUCTIONS

Tools and Materials Required

You will need to have following tools to help you in the installation of your Washer:

- Pliers
- Wrench
- Tape Measure
- Gloves
- Level

Accessories Supplied	Quantity
1. Hot & Cold water inlet hoses	2
2. Drain Hose Hook	1
3. Drain Hose Clamp	1
4. Outer Drain Hose	1
5. Flat Water Inlet Hose Washers	4

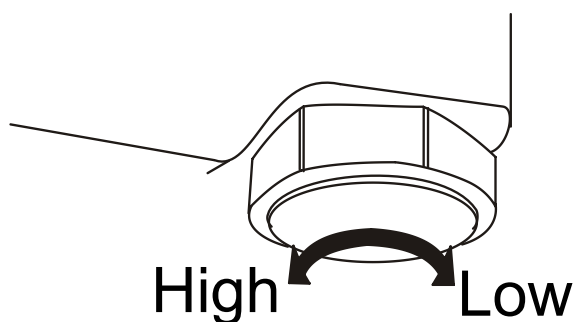


Unpacking Your Washer

- Remove all packing materials. This includes the foam base and all adhesive tape holding the washer accessories inside and outside.
- Open the top lid to remove the styrofoam drum brace. Pull to remove.
Note: Save drum brace. Reinstall when moving the washer.
- Inspect and remove any remains of packing, tape or printed materials before using the washer.

Leveling Your Washer

- Your washer has 4 leveling legs; which are located on the four bottom corners. After properly placing your washer in its final position, you can level your washer.
- Leveling legs can be adjusted by turning them counterclockwise to raise your washer or turning them clockwise to lower your washer.



Warning: Leveling of washer is very important to prevent vibration during spin.

Steps for Installation

- Select a suitable location for the washer on a hard even surface away from direct sunlight or heat source e.g. radiators, baseboard heaters, cooking appliances etc. Any floor unevenness should be corrected with the leveling legs located on the bottom corners of the washer. The washer must be placed at room temperature. You must not place washer where the temperature is at below freezing.

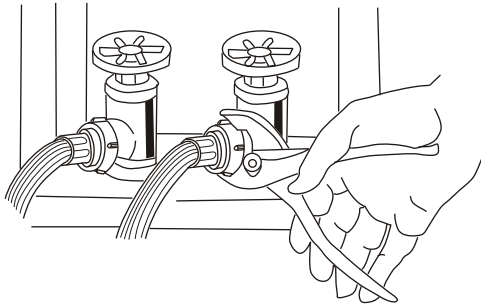
Installing Your Washer:

Read installation instructions carefully before installation.

Caution: If, after completing these steps, you are unsure that unit is properly installed, contact a qualified installer. To ensure that your Washer is properly installed it is recommended that it be installed by a certified installer.

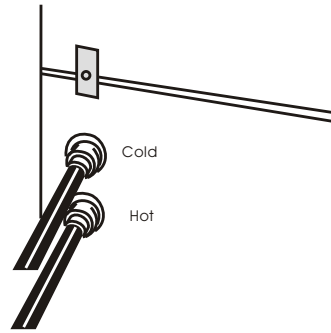
1. Insert a new flat washer into each end of the water inlet hoses.
Firmly put the washers in the coupling.

Note: You may have to use pliers to tighten the coupling.
Do not over tighten because you may cause damage to the valve.



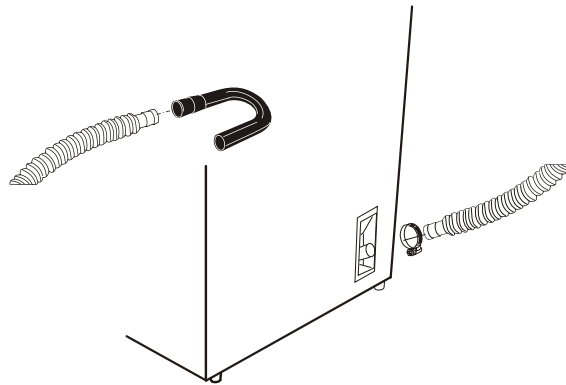
2. Connect the hot and cold water inlet hoses to the hot and cold water faucet.

3. Connect the other end to their respective washer inlet located at the rear of the washer.



Note: Hot water needs to be at a temperature of at least 120° F - 140° F. (49° C- 60° C) for the soap to dissolve and to avoid soap residue remaining on clothes.

4. Using the drain hose clamp, attach the drain hose to the unit as shown below. Install the drain hose hook to the outer drain hose tube.



5. Plug in the Washer to a regular 115 volt / 60 Hz, 15 amp outlet.

Electrical Connections

Grounding Instructions

This appliance must be grounded. In the event of an electrical short circuit, grounding reduces the risk of electric shock by providing an escape wire for the electric current. This appliance is equipped with a cord having a grounding wire with a grounded plug. The plug must be inserted into an outlet that is properly installed and grounded.

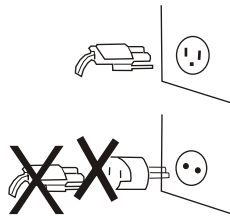


- Improper use of the plug can result in a risk of electric shock.
- Consult a qualified electrician or service person if the grounding instructions are not completely understood or if doubt exists as to whether the appliance is properly grounded.

Wiring Requirements:

- The washer must be plugged into at least 15 AMP 115-120 VOLT, 60 HZ GROUNDED OUTLET.

Note: Where a standard two-prong outlet is encountered, it is the personal responsibility and obligation of the consumer to have it replaced with a properly grounded three-prong outlet.



Extension Cords:

We do not recommend that you use an extension cord.

Power Interruptions

Occasionally there may be power interruptions due to thunderstorms or other causes. Remove the power cord from AC outlet when a power outage occurs. When power has been restored re-plug power cord to AC outlet. If outage is for a prolonged period, clean washer before using it again.

Limited Warranty

Full ONE Year Warranty

For 12 months from the date of original retail purchase, Haier will repair or replace any part free of charge including labor that fails due to a defect in materials or workmanship.

Limited Warranty

After one year from the original retail purchase date, Haier will provide a part at no cost, as indicated below, to replace said part as a result of a defect in materials or workmanship. Haier is solely responsible for the cost of the part. All other costs such as labor, trip charge, etc are the responsibility of the owner.

Second Year

Haier will provide All Parts.

Third through Fifth Year

Haier will provide the transmission assembly.

Haier will provide the cabinet assembly should the cabinet rust through

Third through Tenth Year

Haier will provide the outer wash tub and related outer tub assembly parts should the part fail to hold water.

Lifetime

Haier will provide the inner stainless steel wash tub.

NOTE: This warranty commences on the date the item was purchased and the original purchase receipt must be presented to the authorized service representative before warranty repairs are rendered.

Exceptions: Commercial or Rental Use Warranty

90 days labor from date of original purchase
90 days parts from date of original purchase
No other warranty applies

For Warranty Service

Contact your nearest authorized service center. All service must be performed by a Haier authorized service center. For the name and telephone number of the nearest authorized service center please call 1-877-337-3639.

Before calling please have available the following information:

Model number and serial number of your appliance (found on the rear of the unit on the upper left hand side).

The name and address of the dealer you purchased the unit from and the date of purchase.

A clear description of the problem.

A proof of purchase (sales receipt).

This warranty covers appliances within the continental United States, Puerto Rico and Canada. What is not covered by this warranty:

Replacement or repair of household fuses, circuit breakers, wiring or plumbing.
A product whose original serial number has been removed or altered.

Any service charges not specifically identified as normal such as normal service area or hours.

Damage to clothing.

Damage incurred in shipping.

Damage caused by improper installation or maintenance.

Damage from misuse, abuse accident, fire, flood, or acts of nature.

Damage from service other than an authorized Haier dealer or service center.

Damage from incorrect electrical current, voltage or supply.

Damage resulting from any product modification, alteration or adjustment not authorized by Haier

Adjustment of consumer operated controls as identified in the owners manual.

Hoses, knobs, lint trays and all attachments, accessories and disposable parts.

Labor, service transportation, and shipping charges for the removal and replacement of defective parts beyond the initial 12-month period.

Damage from other than normal household use.

Any transportation and shipping charges.

THIS LIMITED WARRANTY IS GIVEN IN LIEU OF ALL OTHER WARRANTIES, EXPRESSED OR, INCLUDING THE WARRANTIES OF MERCHANTABILITY AND FITNESS FOR A PARTICULAR PURPOSE

The remedy provided in this warranty is exclusive and is granted in lieu of all other remedies.

This warranty does not cover incidental or consequential damages, so the above limitations may not apply to you. Some states do not allow limitations on how long an implied warranty lasts, so the above limitations may not apply to you.

This warranty gives you specific legal rights, and you may have other rights, which vary, from state to state.

Haier America
New York, NY 10018

IMPORTANT

Do Not Return This Product To The Store

If you have a problem with this product, please contact the "Haier Customer Satisfaction Center" at 1-877-337-3639.

DATED PROOF OF PURCHASE REQUIRED FOR WARRANTY SERVICE

120 V, 60 Hz

Made in China

Haier

Haier America
New York, NY 10018

RWT200AW-01
Issued: January-06

Printed in China

Part #WD-9999-17