

This Owner's Manual is provided and hosted by [Appliance Factory Parts](#).



ESSICK 447400HB Owner's Manual

[Shop genuine replacement parts for ESSICK 447400HB](#)



[Find Your ESSICK Humidifier Parts - Select From 54 Models](#)

----- Manual continues below part list -----

Available Replacement Parts for ESSICK 447400HB

1B5060000	BOTTLE CAP 1-3/8 DIAMETER
7V1041	FILTER
7V1051	CARBON AIR FILTER 10 1/2X
830496	Support Float
1B72087	FLOAT, 400 SERIES 447/4DTS 2013 REVISION

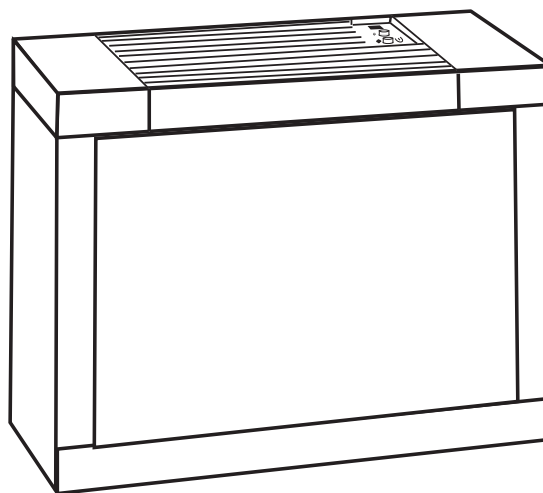
READ AND SAVE THESE INSTRUCTIONS

AIRCARE®

CONSOLE EVAPORATIVE HUMIDIFIER

447400HB USE AND CARE GUIDE

- ▶ Adjustable Humidistat
- ▶ Four Speed Fan
- ▶ Dual water bottles



447400HB



Français13
Español25

TO ORDER PARTS AND ACCESSORIES CALL 1.800.547.3888

COMFORT IS IN THE AIR

IMPORTANT SAFEGUARDS

General Safety Instructions

READ BEFORE USING YOUR HUMIDIFIER

DANGER: means if the safety information is not followed someone will be seriously injured or killed.

WARNING: means if the safety information is not followed someone could be seriously injured or killed.

CAUTION: means if the safety information is not followed someone may be injured.

1. To reduce the risk of fire or shock hazard, this humidifier has a polarized plug (one blade is wider than the other.) Plug humidifier directly into a 120V, A.C. electrical outlet. Do not use extension cords. If the plug does not fully fit into the outlet, reverse plug. If it still does not fit, contact a qualified electrician to install the proper outlet. Do not change the plug in any way.
2. Keep the electric cord out of traffic areas. To reduce the risk of fire hazard, never put the electric cord under rugs, near heat registers, radiators, stoves or heaters.
3. Always unplug the unit before moving, cleaning or removing the fan assembly section from the humidifier, or whenever it is not in service.
4. Keep the humidifier clean.
5. Do not put foreign objects inside the humidifier.
6. Do not allow unit to be used as a toy. Close attention is necessary when used by or near children.
7. To reduce the risk of electrical hazard or damage to humidifier, do not tilt, jolt or tip humidifier while unit is running.
8. To reduce the risk of accidental electrical shock, do not touch the cord or controls with wet hands.
9. To reduce the risk of fire, do not use near an open flame such as a candle or other flame source.

WARNING: For your own safety, do not use humidifier if any parts are damaged or missing.

WARNING: To reduce risk of fire, electric shock, or injury always unplug before servicing or cleaning.

WARNING: To reduce the risk of fire or shock hazard, do not pour or spill water into control or motor area. If controls get wet, let them dry completely and have unit checked by authorized service personnel before plugging in.

INTRODUCTION

Your new humidifier adds invisible moisture to your home by moving dry air through a saturated wick. As air moves through the wick, the water evaporates into the air, leaving behind any white dust, minerals, or dissolved and suspended solids in the wick. Because the water is evaporated, there is no messy mist or spray, just clean and invisible moist air.

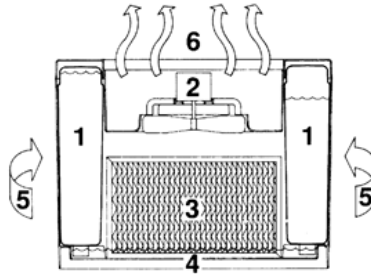
As the evaporative wick traps accumulated minerals from the water, its ability to absorb and evaporate water decreases. We recommend changing the wick at the beginning of every season. In hard water areas, more frequent replacement may be necessary to maintain your humidifier's efficiency.

Use only AIRCARE® or Essick Air® brand replacement wicks and chemicals. To order parts, wicks and chemicals call 1-800-547-3888. This humidifier uses wick part number 1041. Only the AIRCARE® or Essick Air® evaporative wick guarantees the certified output of your humidifier. Use of other brands of wicks voids the certification of output and may void your warranty.

HOW YOUR HUMIDIFIER WORKS

LEGEND:

1. Water bottle
2. Chassis/power pack (motor/fan assembly)
3. Evaporative wick
4. Water reservoir
5. Dry room air intake
6. Moist air output



Once the wick becomes saturated, air is drawn in, passes through the wick and moisture is circulated into the air.

All evaporation occurs in the humidifier so any residue remains in the wick. This natural process of evaporation creates no white dust like some other humidifiers.

Dry air is drawn into the humidifier through the back and moisturized as it passes through the evaporative wick. It is then circulated out into the room.

* Output based on 8' ceiling. Coverage may vary due to tight or average construction.

FEATURES	
Output per 24 hrs	Up to 10 gallons
Water tank capacity	5.5 gallons
Sq. ft. coverage*	Up to 3000 (tight constr.)
	Up to 2100 (avg. constr.)
Fan Speeds	Four
Replacement wick	1041
Adjustable humidistat	Yes
Auto shutoff	Yes
Refill indication	Yes
Control type	Analog with digital display
Casters	Yes (4)
ETL Listed	Yes
Volts	120
Hertz	60
Watts	80

ASSEMBLY

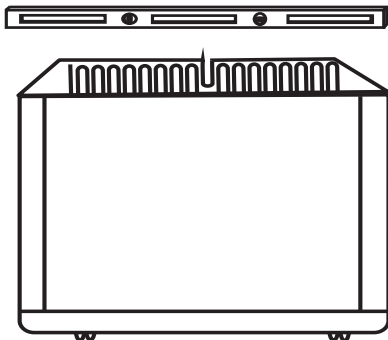
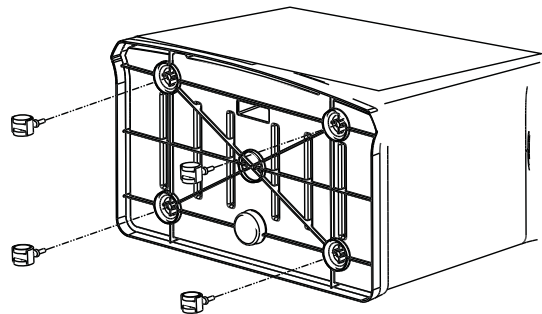
UNPACKING AND SETTING UP THE UNIT

1. Remove the two inserts from the top of the humidifier.
2. Open the water bottle covers. Remove the water bottles, lift off the chassis/power pack and then remove the humidifier cabinet from the carton.
3. Remove the evaporative wick and all of the remaining packaging materials from the cabinet. Check to see that you have all of the following items removed from the boxes, accessory kit, and cabinet before discarding the packaging:

- ◆ Filler Hose
- ◆ Caster kit
- ◆ Bacterial treatment sample
- ◆ Evaporative Wick
- ◆ Two Water Bottles with caps
- ◆ Float and support with two screws
- ◆ Manual

CASTERS

4. With access to the bottom of the cabinet, insert each caster stem into a caster hole on each corner of the humidifier bottom. The casters should fit snugly and be inserted until the stem shoulder reaches the cabinet surface. Turn the cabinet right side up.

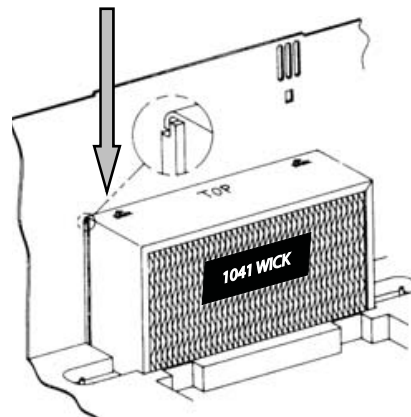


NOTE:

To ensure both bottles will empty properly, use a bubble level to verify the humidifier cabinet is placed on a level surface.

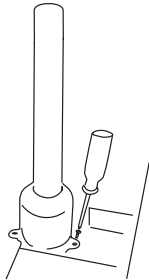
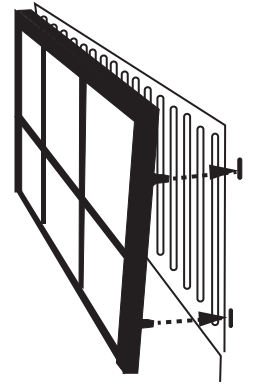
EVAPORATIVE WICK

5. Insert the 1041 wick into the unit. The wick has a mounting rib on the top edge which hooks over a rib at the inside back of the cabinet. This allows the wick to hang in the water channel (see cutaway illustration for details). Hang wick into cabinet as shown.



OPTIONAL AIR CLEANING FILTER

6. If available, install the 1051 AIRCARE[®] air filter at the back of the unit. The filter has four tangs that engage into four keyhole slots that mount the air filter onto the outside of the back of the cabinet. See page 8 for more information on the AIRCARE[®] air filter.



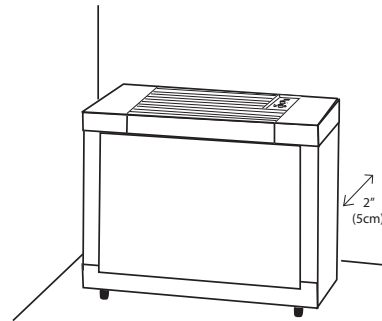
FLOAT INSTALLATION:

7. Using a Phillips head screwdriver, install the float support with float inside into the base of the cabinet with two screws supplied.

NOTES ON LOCATION:

In order to get the most effective use from your humidifier, it is important to position the unit where the most humidity is needed or where the moist air will be circulated throughout the house such as near a cold air return. If the unit is positioned close to a window, condensation may form on the window pane. If this occurs the unit should be repositioned in another location.

Place humidifier on a flat level surface. Do NOT position the unit directly in front of a hot air duct or radiator. Do NOT place on soft carpet. Due to release of cool, moist air from the humidifier, it is best to direct air away from thermostat and hot air registers. Position humidifier next to an inside wall on a level surface at least 2 inches away from the wall or curtains.



Be sure that the humidistat, which is located on the power cord, is free from obstruction and away from any hot air source.

FILLING INFORMATION

CAUTION: In order to reduce the possibility of electrical shock, ensure the control panel stays dry.

1. Your humidifier is equipped with two water bottles. Each bottle holds 2.75 gallons.
2. A fill hose that fits most faucets is provided with your humidifier. Fill the bottles with cool, fresh (preferably unsoftened) water. If you only have softened water available in your home, you can use it, but mineral buildup will occur more quickly.

NOTE: For optimum running time, fill each water bottle, tighten the cap, and place inside unit. Do not fill the reservoir bucket, as overfilling will result in water damage. Use only the bottles provided. One bottle will drain until the reservoir is filled. Remove the partially emptied bottle and refill it. Place back in humidifier cabinet.

CAUTION: When filling, be careful not to pressurize the bottle by overfilling it. Bottle damage can result from this, and unit will not drain properly.

NOTE: On initial fill up, it will take approximately 20 minutes for the reservoir to fill because the dry wick has to absorb water. Subsequent fillings will take approximately 12 minutes, since the wick is already saturated.

CAUTION: Use only EPA Registered Bacteriostat. **Under no circumstances should you use Water Treatment products intended for Rotobelt or Ultrasonic humidifiers.**

NOTE: We recommend using AIRCARE® or Essick Air® Bacteriostat Treatment (Part # 1970) when you refill the water bottles to eliminate bacterial growth. This is available for purchase by calling 1-800-547-3888. Add bacteriostat according to the instructions on the bottle.

3. After the filling process is complete, place the chassis/power pack unit onto the cabinet, so it fits without tipping or rocking.
4. Insert the water bottles into the humidifier, placing them with the valve cap end down, so that the groove in the water bottle faces the inside. Note the orange label on the bottle for correct orientation.
5. Close the water bottle covers.

ABOUT HUMIDITY

Where you set your desired humidity levels depends on your personal comfort level, the outside temperature and the inside temperature.

NOTE: Recent CDC tests show that only 14% of flu virus particles could infect people after 15 minutes at levels of 43% humidity.

You may wish to purchase a hygrometer to measure the humidity level in your home. The following is a chart of recommended humidity settings.

IMPORTANT: Water damage may result if condensation starts to form on windows or walls. Humidity SET point should be lowered until condensation no longer forms. We recommend room humidity levels do not exceed 50%.

*When Outdoor Temperature is:		Recommended Indoor Relative Humidity (RH) is
°F	° C	
-20	-30°	15 - 20%
-10°	-24°	20 - 25%
2°	-18°	25 - 30%
10°	-12°	30 - 35%
20°	-6°	35 - 40%
30°	-1°	40 - 43%

*Or above

Model 1990 digital hygrometer is available for purchase by calling 1-800-547-3888.

NOTE: External hygrometer readings and humidistat readings may differ. Humidity levels can vary significantly even in one room.

CONTROLS AND OPERATION

This unit has a hybrid control panel with knobs for adjustment and a digital display to monitor humidity and fan settings.

1. Plug cord into wall receptacle. Your humidifier is now ready for use.
2. Push in on the Power (lower) knob to turn the unit on.

FAN SPEED

3. Rotate the fan speed knob clockwise to increase the fan speed. The 4 speed settings will be shown on the LED display.



NOTE: When excessive condensation exists, a lower speed setting is recommended.

HUMIDITY CONTROL

NOTE: Allow 10 to 15 minutes for the humidistat to adjust to the room when setting up the unit for the first time.

NOTE: This model has an adjustable humidistat with settings from 25-65%. The humidistat will turn the humidifier on when the humidity in your home is below the humidistat setting and will turn the humidifier off when the humidity reaches the humidistat setting. When set at 65%, the humidifier will operate continuously.

4. For initial operation, set the humidity knob at a midpoint setting (45-50% is recommended) and adjust up or down from there to achieve the desired humidity level. The digital display will show the desired setting momentarily, and then revert to displaying the actual humidity.



CONTROL PANEL DISPLAYS:

Several functions of the humidifier can be monitored through the LED display on the control panel.

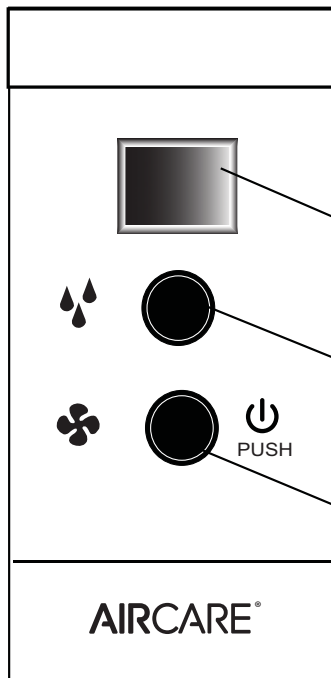
REFILL INDICATION:

5. One bottle is designed to empty first. The letter **F** on the display indicates when the unit is entirely out of water. The motor will cut off at this point.



FILTER INDICATION:

The filter's condition is critical to the humidifier's effectiveness. A check filter function (**CF**) will display every 720 hours of operation to remind the user to check the condition of the wick. Water quality significantly affects the life of a wick, so replacement of wick may be required more often if hard water conditions exist.



Digital Display Shows:

Actual Humidity %
Desired Humidity
(From 25 - 65% in 5% increments)
Water refill (F)
Check Filter (CF)

Humidity Control

Turn to increase humidity

Power

Push in to turn ON/OFF
Fan Speed
Turn to increase speed

AIRCARE®

6. When the Check Filter (CF) message is displayed, turn off, disconnect the power cord and check the condition of the wick. Replace wick as necessary. The CF function is reset after plugging the unit back in.



OPTIONAL AIRCARE[®] AIR FILTER (Sold Separately)

The air filter number model 1051 is an excellent means of cleaning the air while using your humidifier. The first stage of the air filter is a high-efficiency, electrostatically charged filter media which traps dust, pollen, and airborne pollutants. The second stage is an activated carbon media which absorbs odors from cooking, pets, and tobacco smoke.

We recommend replacing the AIRCARE[®] air filter at least once a year and more often if necessary. When the white filter media is coated with a layer of dust and dirt, it is time to replace the air filter. The certified water output of your humidifier will be reduced when using the air filter. The air filters are optional and are not required for normal operation of the humidifier. The 1051 is available for purchase by calling 1-800-547-3888.

CARE AND MAINTENANCE

CAUTION: Disconnect power before, cleaning or servicing unit. Keep grille dry at all times.

Cleaning your humidifier regularly helps reduce odors and bacterial and fungal growth. Ordinary household bleach is a good disinfectant and can be used to wipe out the humidifier base and bottle/reservoir after cleaning. We recommend cleaning your humidifier at least once every two weeks to maintain optimum environmental conditions for your home.

We also recommend using AIRCARE[®] or Essick Air[®] Bacteriostat Treatment each time you refill your humidifier to eliminate bacterial growth. Add bacteriostat according to the instructions on the bottle. Please call 1-800-547-3888 to order Bacteriostat Treatment (part # 1970).

1. Turn off unit completely and unplug from outlet. Open bottle covers.
2. Lift out the water bottles and remove the power pack.
3. Carry bottles and base to cleaning basin. Lift wick from the base allowing the water to drain. Rinse wick under fresh water only. Do not use soap, detergent, or any other cleaners on the wick. Leave in sink to drain.

REMOVING SCALE

4. Empty the water from the reservoir and water bottles. Fill reservoir and each water bottle $\frac{1}{2}$ full with water and add 8 oz. (1 cup) of white vinegar to each. Let stand 20 minutes. Then empty solution.
5. Dampen a soft cloth with white vinegar and wipe out reservoir to remove scale. Rinse the water bottles and reservoir thoroughly with fresh water to remove scale and cleaning solution before disinfecting.

DISINFECTING UNIT

6. Fill each water bottle and reservoir $\frac{1}{2}$ full with water and add 1 teaspoon of bleach to each. Wipe cabinet and bottle surfaces with this solution. Let solution stay for 20 minutes, then rinse with water until bleach smell is gone. Dry with clean cloth. The outside of the unit and water bottles may be wiped down with a soft cloth dampened with fresh water.
7. Refill unit and re-assemble per ASSEMBLY instructions.

SUMMER STORAGE

1. Clean unit as outlined in Care & Maintenance section.
2. Discard used wick and any water in the reservoir or bottles and allow to dry thoroughly before storage. Do not store with water inside reservoir or bottles.
3. Do not store unit in an attic or other high-temperature area, as damage will occur.
4. Install new filter at beginning of season.

TROUBLESHOOTING

Trouble	Probable Cause	Remedy
Digital display not illuminated.	<ul style="list-style-type: none"> • No Power. • Power button has not been depressed. 	<ul style="list-style-type: none"> • Check 120 volt power source. • Press power button once to turn on.
Fan not operating (digital display is illuminated).	<ul style="list-style-type: none"> • ROOM humidity level is not 3% or more below SET humidity level. • Bottles are empty. 	<ul style="list-style-type: none"> • Raise SET humidity level if desired. • Increase fan speed. • Fill humidifier with water.
Fan running continuously.	<ul style="list-style-type: none"> • Float is obstructed. • SET humidity level is 65%. • ROOM humidity level has not reached 1% or more above SET humidity level. 	<ul style="list-style-type: none"> • Free float from obstruction. • A SET humidity percentage of 65% operates fan continuously. Adjust SET level between 25% - 60%. • Continue to run until desired humidity level is achieved. This may take up to 48 hours initially.
Poor evaporation of water.	<ul style="list-style-type: none"> • CHECK FILTER (CF) message flashing. • Mineral buildup on filter (wick). 	<ul style="list-style-type: none"> • Change to a fresh new wick <p>NOTE: Local water varies from area to area and under certain conditions minerals will build up more rapidly in the wick.</p> <ul style="list-style-type: none"> • Unplug unit for 1-2 minutes to reset CF function
Neither bottle emptying.	<ul style="list-style-type: none"> • Unit is not level • Bottle cap plunger missing post in bottom of cabinet • Dirty wicks. 	<ul style="list-style-type: none"> • Ensure unit is placed on level area • Check orientation of bottles. Reposition so that bottle cap plunger (stem) is depressed by post in bottom of cabinet. • Change to fresh new wick
Bottles continue to empty after complete filling.	<ul style="list-style-type: none"> • Air is entering water bottle. 	<ul style="list-style-type: none"> • Check valve assembly caps to ensure tightness. • Check for leak in water bottle.
Left bottle not emptying.	<ul style="list-style-type: none"> • Right bottle contains water. 	<ul style="list-style-type: none"> • The humidifier is designed so that right bottle empties first. • Ensure unit is level
Bottle empties completely	<ul style="list-style-type: none"> • This is normal for initial filling 	<ul style="list-style-type: none"> • Refill bottle for maximum run time. DO NOT OVERFILL.
Refill display "F" is on before bottles are empty.	<ul style="list-style-type: none"> • Unit is not set up on a level surface. (Float will not sense water at the front of the cabinet.) • Float not activating switch on chassis. 	<ul style="list-style-type: none"> • Verify unit is level. • Reposition chassis so that float and switch are aligned. • Verify float is not damaged.

TROUBLESHOOTING CONT'D)		
"CF" message does not appear even when wick is dirty or humidifier performance is clearly reduced.	<ul style="list-style-type: none"> • Loss of power or a power failure has caused the CF message to prematurely reset. 	<ul style="list-style-type: none"> • Replace wick.
Display blinks or fan moves slightly when humidifier is plugged in.	Normal	<ul style="list-style-type: none"> • No action required.
Alternating "F" and room humidity displayed.	<ul style="list-style-type: none"> • Reservoir is empty. • Float is not activating switch on chassis 	<ul style="list-style-type: none"> • Fill humidifier with water. • Reposition chassis so that float and switch are aligned.
Alternating "CF" and room humidity displayed.	<ul style="list-style-type: none"> • Wick may be dirty. 	<ul style="list-style-type: none"> • Replace wick, if needed • Unplug unit for 30 seconds and plug back in to clear display.

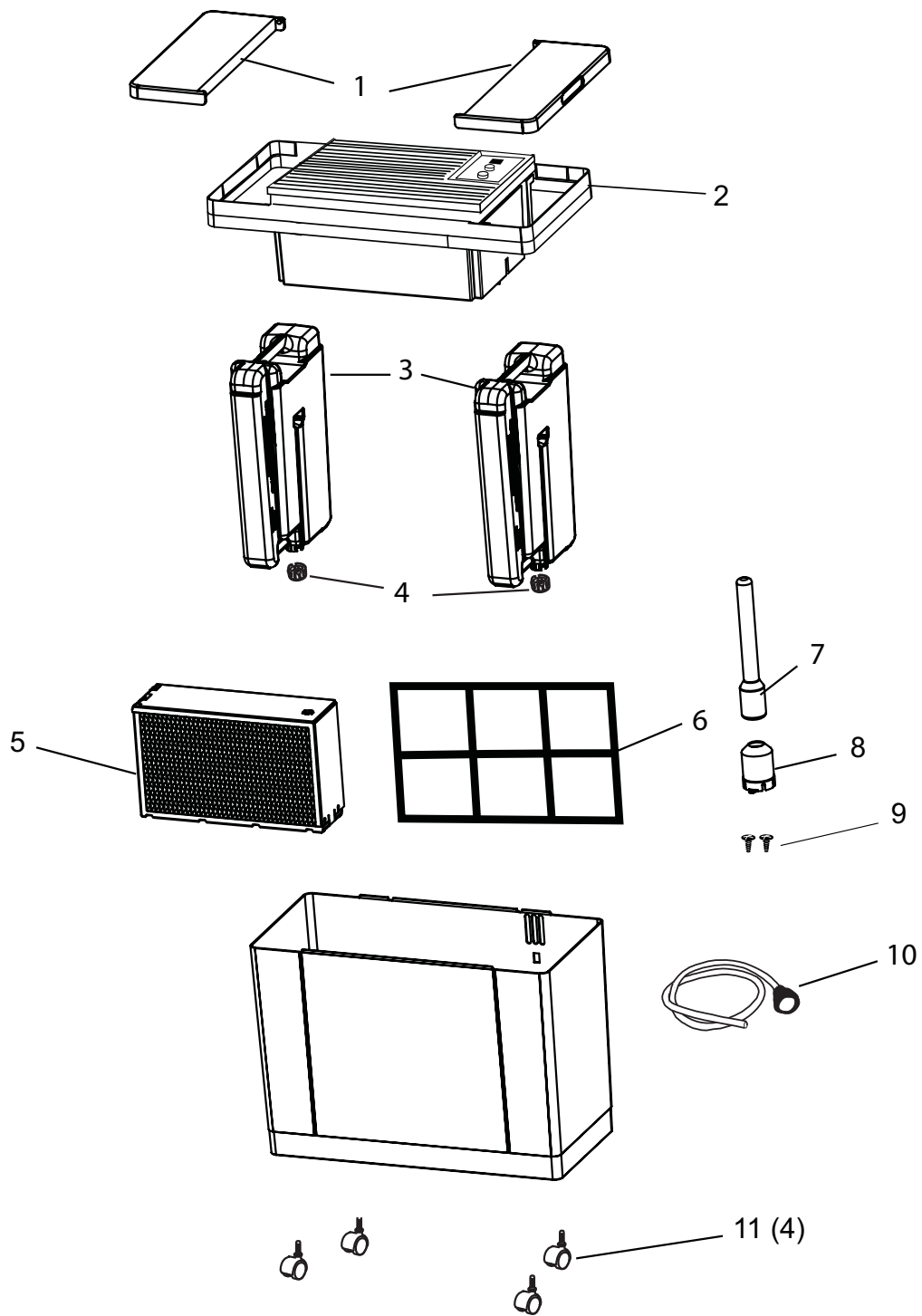
LIST OF REPLACEMENT PARTS

Item No.	Part Number	Description	Qty
1	1B72336	Bottle cover lids	2
2	1B72343	Chassis	1
3	1B5060110	Water Bottle	2
4	1B5060000	Bottle Cap Assy.	2
5	1041	Wick	1
6	1051	Air Filter (OPTIONAL)	1
7	1B72087	Float	1
8	S98830496C002	Float Support	1
9	S05829815B000	* Screw, Pan Hd. Ty. AB #6 x ½ SS	2
10	1B5060140	Fill hose	1
11	1B5460100	Casters	4
12	1B72836	Manual (not shown)	1

* Standard hardware item. Locally procurable.

To order parts, call 1-800-547-3888, or visit: <http://store.essickair.com>.

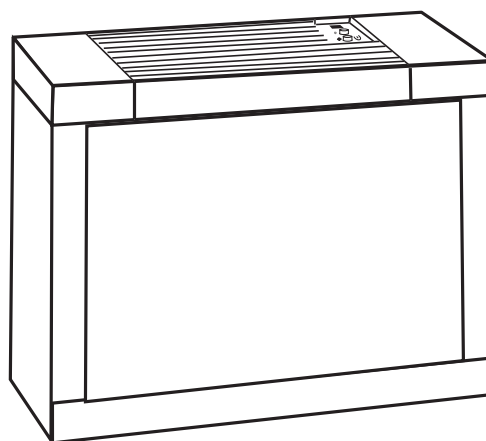
REPLACEMENT PARTS



AIRCARE®

CONSOLE HUMIDIFICATEUR À ÉVAPORATION

447 400HB MANUEL D'UTILISATION ET D'ENTRETIEN



447 400HB

- ▶ Humidostat réglable
- ▶ Ventilateur à 4 vitesses
- ▶ Bouteilles d'eau double



Anglais 1
Español 25

POUR COMMANDER DES PIÈCES ET DES ACCESSOIRES
APPELEZ LE 1.800.547.3888

LE CONFORT EST DANS L'AIR

INSTRUCTIONS GÉNÉRALES DE SÉCURITÉ

À LIRE AVANT D'UTILISER VOTRE HUMIDIFICATEUR

DANGER: Signifie que si les informations de sécurité ne sont pas suivies, des blessures graves ou fatales s'ensuivront.

AVERTISSEMENT: Signifie que si les informations de sécurité ne sont pas suivies, des blessures graves ou fatales pourraient survenir.

ATTENTION: Signifie que si les informations de sécurité ne sont pas suivies, des blessures pourraient survenir.

1. Afin de réduire le risque d'électrocution, cet humidificateur a une prise à deux têtes (l'une des fiches est plus large que l'autre). Brancher directement l'humidificateur dans une prise de courant alternatif 120 V. Ne pas utiliser de rallonges électriques. Si la prise ne rentre pas, la brancher en sens inverse. Si cela ne rentre toujours pas, contacter un électricien pour installer la prise murale adéquate. Ne pas modifier la prise.
2. Éloignez le cordon électrique d'une zone de passage. Pour diminuer le risque d'incendie, ne mettez jamais le cordon électrique sous un tapis, à proximité d'une bouche d'air, d'un radiateur, d'un four ou d'un appareil de chauffage.
3. Toujours débrancher l'humidificateur avant de le déplacer. Enlever le système de ventilation avant de nettoyer ou de faire réparer l'humidificateur.
4. L'humidificateur doit toujours rester propre.
5. N'introduisez pas de corps étrangers dans l'humidificateur.
6. Cet appareil n'est pas un jouet. Une surveillance est nécessaire si cet appareil est utilisé par ou près d'un enfant.
7. Pour réduire le risque d'électrocution ou d'endommagement de l'humidificateur, ne l'inclinez pas, ne le secouez pas et ne le faites pas basculer tant qu'il est en marche.
8. Pour réduire le risque de choc électrique accidentel, ne touchez pas le cordon ou les commandes avec les mains mouillées.
9. Pour réduire le risque d'incendie, ne l'utilisez pas près d'une flamme, comme une bougie ou autre source de flamme.

AVERTISSEMENT: Pour votre propre sécurité, n'utilisez pas l'humidificateur si des pièces sont endommagées ou manquantes.

AVERTISSEMENT : Pour réduire les risques d'incendie, de choc électrique ou de blessure, débranchez toujours avant de réparer ou de nettoyer.

AVERTISSEMENT: Pour réduire le risque d'incendie ou de choc électrique, ne versez pas et ne renversez pas d'eau dans le secteur de commande ou moteur. Si les commandes sont mouillées, laissez-les sécher complètement et faites vérifier l'unité par le personnel de service autorisé avant de brancher.

INTRODUCTION

L'humidificateur évaporateur ajoute une humidité invisible dans la maison en faisant passer de l'air sec à travers un filtre à mèche saturé d'eau. Au fur et à mesure que l'air passe au travers du filtre à mèche, l'eau s'évapore dans l'air en laissant derrière toutes poussières blanches, minéraux et solides dissous ou en suspension. Puisque l'eau est évaporée, il n'y a ni brume ni brouillard irritants, mais rien que de l'air humidifié, propre et invisible.

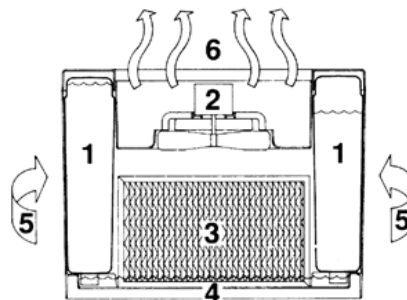
Au fur et à mesure que la mèche d'évaporation emprisonne et accumule les minéraux contenus dans l'eau, sa capacité d'absorption et d'évaporation d'eau diminue. Nous recommandons de changer le filtre à mèche au début de chaque saison d'humidification. Dans les régions où l'eau est dure, un remplacement plus fréquent peut être nécessaire afin de maintenir l'efficacité de votre humidificateur.

N'utilisez que les produits chimiques et les filtres à mèche de marque AIRCARE ou Essick Air en remplacement. Afin de placer une commande de pièces, de filtres à mèche ou de produits chimiques, composez le 1-800-547-3888. Les filtres à mèche de numéro 1041 de marque AIRCARE®/Essick Air®. Seuls les filtres à mèche d'évaporation de marque AIRCARE® ou Essick Air® garantissent le rendement certifié à la sortie de votre humidificateur. L'utilisation de filtres à mèche autres que la marque AIRCARE®/Essick Air® annule la garantie, la certification de la valeur à la sortie et peut réduire l'efficacité de votre humidificateur.

FONCTIONNEMENT DE L'HUMIDIFICATEUR

LEGEND:

1. Récipient d'eau
2. Châssis/bloc d'alimentation (montage du moteur et du ventilateur)
3. Filtre à mèche d'évaporation
4. Réservoir d'eau
5. Entrée de l'air sec
6. Sortie de l'air humidifié



Une fois que le filtre est saturé d'eau, de l'air est attiré dans l'appareil, il passe à travers le filtre et l'humidité est absorbée dans l'air.

Toute évaporation se produit à l'intérieur de l'humidificateur, c'est pourquoi tous les résidus restent dans le filtre. Ce processus naturel d'évaporation élimine virtuellement la poussière blanche.

* Sortie sur la base de 8 'plafond. La couverture peut varier en raison de serré ou la construction moyenne.

FEATURES	
*Débit par 24 h	Jusqu'à 10 gallons
Capacité d'eau	5.5
Couverture en mètres carrés	Jusqu'à 195 (construction moyenne)
	Jusqu'à 279+ (construction étanche)
Vitesses de ventilation	4
Filtre de rechange	1041
Humidostat réglable	Oui
Voyant de remplissage	Oui
Arrêt automatique	Oui
Commandes	Analogique avec affichage numérique
Roulettes	Oui (4)
Certification ETL	Oui
Volts	120
Hertz	60
Watts	80

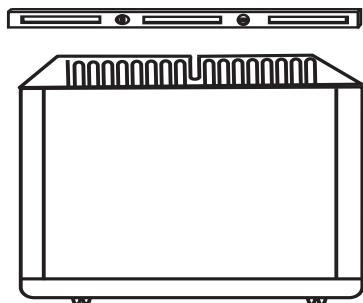
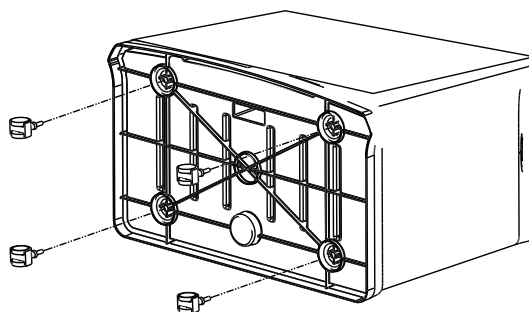
ASSEMBLAGE

DÉBALLAGE ET INSTALLATION DE L'APPAREIL

1. Retirez les deux pièces d'emballage qui se trouvent sur le dessus de l'humidificateur.
2. Ouvrir les couvercles des récipients d'eau. Sortez les récipients d'eau; soulevez le châssis/bloc d'alimentation puis retirez le boîtier de l'humidificateur de la boîte d'emballage.
3. Sortez le filtre à mèche d'évaporation et tout le matériel restant de la boîte. Avant de jeter l'emballage, assurez-vous d'avoir retiré tous les éléments suivants de la boîte, de la trousse d'accessoires et du boîtier :
 - ◆ Tuyau de remplissage
 - ◆ Trousse de roulettes
 - ◆ Échantillon de traitement contre les bactéries
 - ◆ Flotter et support du flotter avec deux vis
 - ◆ Filtre à mèche d'évaporation
 - ◆ Manuel
 - ◆ Deux bouteilles d'eau avec bouchons

LES ROULETTES

4. Avec l'accès à la partie inférieure de l'armoire, insérez une tige de roulette dans chacun des quatre orifices situés aux quatre coins de la base de l'humidificateur. Les roulettes doivent bien s'ajuster et être enfoncées jusqu'à ce que l'épaule de la tige atteigne la surface du boîtier. Retournez le boîtier à l'endroit.

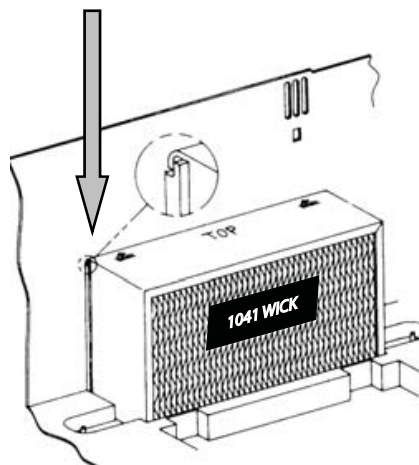


NOTA:

Afin d'assurer à la fois les bouteilles vont se vider correctement, utilisez un niveau à bulle pour vérifier l'armoire de l'humidificateur est de niveau.

FILTRE À MÈCHE D'ÉVAPORATION

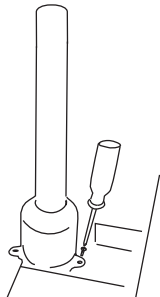
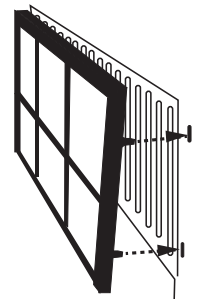
5. Insérez le filtre à mèche n° 1041 dans l'appareil. Le bord supérieur de la mèche est muni d'une nervure de montage permettant de la fixer sur l'arête intérieure de la partie arrière du boîtier. De cette façon, le filtre à mèche est suspendu dans la conduite d'eau (voir la vue en transparence pour l'emplacement exact). Suspendez le filtre à mèche dans le boîtier comme indiqué.



OPTIONAL FILTRE À AIR

6. Si disponible, installez le filtre AIRCARE® n° 1051 à l'arrière de l'appareil. Le filtre AIRCARE® est monté sur la paroi extérieure de l'arrière du boîtier à l'aide de languettes qui s'engagent dans quatre fentes en forme de trou de serrure.

Voir page 20 pour plus d'informations sur le filtre à air de AIRCARE®.



FLOTTEUR L'INSTALLATION

7. L'utilisation d'un tournevis cruciforme, installer le support de flotteur avec flotteur à l'intérieur de la base de l'armoire avec deux vis fournies.

REMARQUES SUR L'EMPLACEMENT:

Afin de tirer le meilleur parti de votre humidificateur, il est important de placer l'appareil à un endroit où le plus d'humidité est nécessaire ou là où l'air humide circulera dans toute la maison comme à proximité d'un retour d'air froid. Si l'appareil est placé près d'une fenêtre, de la condensation peut se former sur la vitre. Si cela se produit, il faut déplacer l'appareil.

Placez l'unité sur une surface plane. Ne placez PAS l'appareil directement devant une bouche d'air chaud ou un radiateur. NE le placez PAS sur de la moquette ou un tapis.

Du fait que de l'air humide et frais est libéré de l'humidificateur, il est préférable de ne pas diriger l'air vers un thermostat ou des bouches d'air chaud.

Placez l'humidificateur à côté d'un mur intérieur sur une surface plane à au moins 2 pouces (5 cm) du mur ou des rideaux.

Assurez-vous que l'hygrostat, qui est situé sur le cordon d'alimentation, est libre de tout obstacle et de toute source d'air chaud.

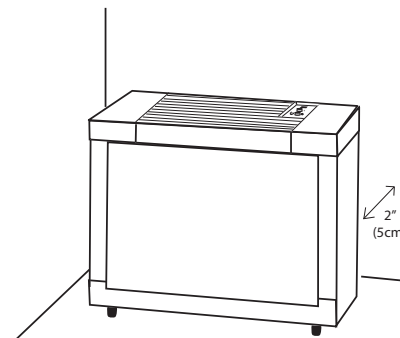
RENSEIGNEMENTS SUR LE REMPLISSAGE

MISE EN GARDE: Pour réduire la possibilité d'électrocution, vérifiez que le panneau de commande reste sec.

1. Votre humidificateur est muni de deux récipients d'eau. Les récipients ont une capacité de 10,4 litres (2,75 gallons).
2. Votre humidificateur est livré avec un tuyau de remplissage qui convient à la plupart des robinets. Remplissez les récipients d'eau pure et fraîche (de préférence non adoucie). Vous pouvez utiliser de l'eau adoucie au besoin, mais des dépôts minéraux se formeront alors plus rapidement.

NOTA : Afin d'obtenir une durée de marche optimale, remplissez chaque récipient d'eau, serrez le bouchon et placez-le dans l'appareil. Ne remplissez pas le réservoir lui-même, puisqu'un trop-plein risque de causer un dégât d'eau. N'utilisez que les récipients fournis. Un des récipients se videra jusqu'à ce que le réservoir soit plein. Retirez le récipient partiellement vide, remplissez-le de nouveau et remettez-le dans le boîtier de l'humidificateur.

MISE EN GARDE : Lors du remplissage, prenez soin de ne pas mettre de pression sur le récipient par un trop-plein d'eau. Ceci risque d'endommager le récipient de façon à ce qu'il ne se vide plus correctement.



NOTA : Lors du premier remplissage, le réservoir prendra environ 20 minutes à se remplir puisque le filtre à mèche sec absorbera de l'eau. Les remplissages subséquents, avec un filtre à mèche déjà saturé, ne prendront qu'environ 12 minutes.

MISE EN GARDE: Utiliser uniquement enregistré EPA bactériostatique. Vous ne devez en aucun cas utiliser des produits de traitement de l'eau conçus pour des humidificateurs d'air ultrasoniques ou de type « Roto Belt ».

NOTE : Nous recommandons l'utilisation d'AIRCARE® ou du traitement bactériostatique d'Essick Air® à chaque remplissage du réservoir d'eau afin d'éliminer la croissance bactérienne. Il est disponible à l'achat par téléphone au 1-800-547-3888. Ajoutez le produit de traitement selon les instructions figurant sur le récipient.

3. Après le remplissage, remettez en place l'ensemble châssis/bloc d'alimentation solidement dans le boîtier sans qu'il puisse basculer.
4. Placez les récipients d'eau à l'intérieur de l'humidificateur, avec le capuchon du clapet vers le bas, de façon à ce que la rainure du récipient d'eau soit dirigée vers l'intérieur. Notez l'étiquette orange sur la bouteille pour une orientation correcte.
5. Remettez en place le couvercle des récipients d'eau et placez.

À PROPOS DE L'HUMIDITÉ

Le réglage du niveau d'humidité souhaité dépend de votre niveau de confort personnel, la température extérieure et la température intérieure.

REMARQUE: Les tests CDC récentes montrent que les risques de transmission de la grippe sont considérablement réduits à des niveaux de 43% d'humidité.

*Vous pouvez acheter un hygromètre pour mesurer le niveau d'humidité chez vous. Voici un tableau des taux d'humidité recommandés.

IMPORTANT: Des dégâts causés par l'eau peuvent se produire si de la condensation commence à se former sur les fenêtres ou les murs. Le point de réglage (SET) de l'humidité doit être réduit jusqu'à ce que la condensation cesse de se former. Nous recommandons que les niveaux d'humidité ambiante ne dépassent pas 50 %.	*Lorsque la température extérieure est de		L'humidité relative (HR) recommandée à l'intérieur d'une habitation est de :
	°F	°C	
	-20	-30°	15 - 20%
	-10°	-24°	20 - 25%
	2°	-18°	25 - 30%
	10°	-12°	30 - 35%
	20°	-6°	35 - 40%
30°	-1°	40 - 45%	

*0 plus

* Modèle 1990 hygromètre numérique est disponible à l'achat par téléphone au 1-800-547-3888.

REMARQUE : Lectures de externes et des lectures hygostat peuvent différer. Les niveaux d'humidité peuvent varier considérablement, même dans une pièce

RÉGLAGE ET FONCTIONNEMENT

Cette unité dispose d'un panneau de commande hybride avec les boutons de réglage et un affichage numérique pour contrôler les paramètres de humidité et ventilateur.

1. Branchez le cordon d'alimentation sur la prise murale. Votre humidificateur est maintenant prêt à être utilisé.
2. Appuyez sur le bouton POWER (en bas) pour mettre l'appareil en marche.

VITESSE DE VENTILATEUR

3. Tournez le bouton de vitesse de ventilateur dans le sens des aiguilles d'une montre pour augmenter la vitesse du ventilateur. Les 4 réglages de vitesse seront montrés sur l'écran LED.



NOTA : En cas de condensation importante, un réglage sur une moindre vitesse est recommandé.

CONTRÔLE DE L'HUMIDITÉ

NOTE: Laisser 10 à 15 minutes pour l'hygrostat pour ajuster à la marge de la première utilisation.

NOTA : Chaque modèle possède un humidostat automatique avec des réglages de 25 à 65%. L'humidostat mettra en marche l'humidificateur lorsque l'humidité dans votre maison est inférieure au réglage de l'humidostat et arrêtera l'humidificateur lorsque l'humidité atteint le réglage de l'humidostat. Au point de réglage 65%, l'humidificateur fonctionnera en continu.

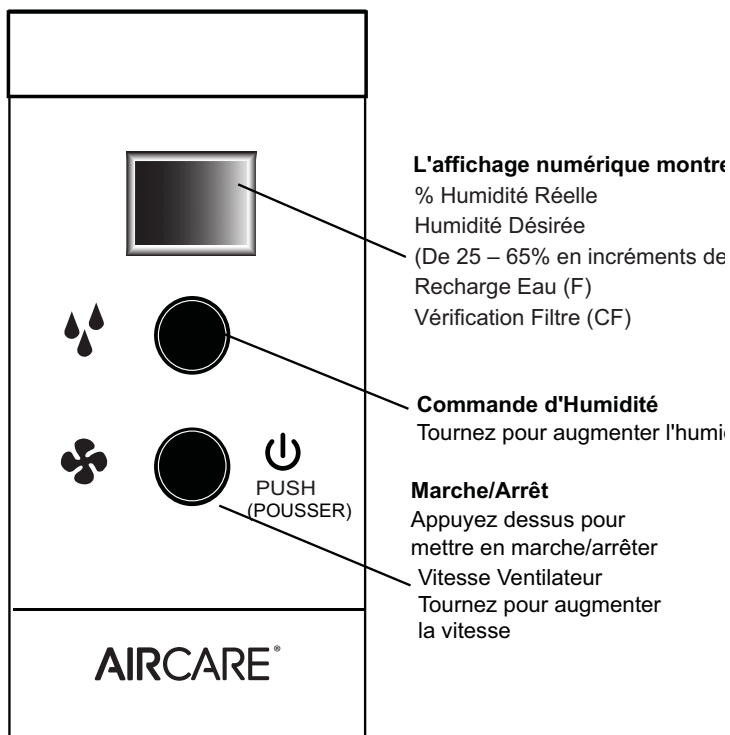
4. Pour le fonctionnement initial, réglez le bouton d'humidité au réglage moyen (45-50% est recommandé) et ajustez vers le haut ou le bas à partir de là pour atteindre le niveau d'humidité désiré. L'affichage numérique indiquera le réglage souhaité momentanément, puis reviendra à l'affichage de l'humidité réelle.

PANNEAU D'AFFICHAGE

Plusieurs fonctions de the humidificateur peuvent être surveillés par l'affichage LED sur le panneau de commande.

INDICATION REMPLISSAGE

5. Une bouteille est conçue pour se vider en premier. Lorsque l'appareil est complètement vidé d'eau, la commande affichera un **F** et le moteur s'arrêtera. Lorsque rempli, l'appareil redémarrera automatiquement.



INDICATION DE FILTRE:

La capacité d'un humidificateur, quel qu'il soit, à produire efficacement de l'humidité dépend dans une large mesure de l'état du filtre. Au fur et à mesure que le filtre se charge d'impuretés, il perd progressivement sa capillarité. Lorsque cela se produit, la production d'humidité est réduite et l'humidificateur doit fonctionner plus longtemps pour atteindre l'humidité programmée.

6. Cet humidificateur a un rappel de vérification le filtre à mèche qui apparaît après 720 heures de fonctionnement. Lorsque le message Check Filter (**CF**) (Vérifier Filtre) s'affiche, débranchez le cordon d'alimentation et vérifiez l'état du filtre. La fonction CF est réinitialisée après avoir rebranché l'appareil.



OPTIONNEL FILTRE AIRCARE® (Vendu séparément)

Le filtre optionnel du aire AIRCARE® représente une excellente façon de nettoyer l'air ambiant pendant que l'humidificateur est en marche. La première étape de filtration d'air est assurée par un média filtrant électrostatiquement chargé à haut rendement qui capte les poussières, le pollen et les particules dans l'air. La deuxième étape est assurée par un média au charbon actif qui absorbe les odeurs provenant de la cuisson, des animaux domestiques et de la fumée du tabac.

Nous recommandons de remplacer le filtre du aire AIRCARE® au moins une fois par an et plus souvent si nécessaire. Lorsque le médium blanc est couvert d'une pellicule de poussières ou de saleté, il est temps de remplacer le filtre AIRCARE®. La sortie d'eau certifiée de l'humidificateur est réduite lors de l'utilisation du filtre AIRCARE®. Les filtres AIRCARE® sont optionnels et ne sont pas requis pour le fonctionnement normal de l'humidificateur. Le filtre 1051 est disponible pour l'achat en appelant 1-800-547-3888.

SOINS ET ENTRETIEN

MISE EN GARDE : Débranchez l'alimentation avant de nettoyer ou entretenir l'appareil. Gardez toujours la grille au sec en tout temps.

Le fait de nettoyer régulièrement votre humidificateur aide à éliminer les odeurs et la croissance de bactéries et des moisissures. L'eau de javel domestique ordinaire est un bon désinfectant et peut être utilisée pour essuyer le plateau et les récipients/réservoirs d'eau après nettoyage. Nous recommandons de nettoyer l'humidificateur au moins une fois toutes les deux semaines afin pour assurer le maintien de conditions environnementales optimales dans la maison.

Nous recommandons d'ailleurs l'utilisation du traitement Bacteriostat AIRCARE ou Essick Air à chaque remplissage de l'appareil afin d'éliminer la croissance éventuelle de bactéries. Ajoutez le produit de traitement selon les directives inscrites sur le récipient. Veuillez composer le 1-800-547-3888 pour commander le traitement Bacteriostat, sous le numéro de produit 1970.

1. Arrêtez l'unité complètement et débranchez-la de la prise de courant. Soulever les couvercles de bouteilles.
2. Soulevez les récipients d'eau et le bloc d'alimentation.
3. Amenez les récipients et la base vers un évier. Soulevez le filtre à mèche en laissant l'eau s'écouler. Rincez le filtre à mèche avec de l'eau fraîche uniquement. N'utilisez pas de savon, de détergent ni d'autres produits nettoyants sur le filtre à mèche. Laissez-le s'égoutter dans l'évier.

DÉTARTRAGE

4. Videz l'eau contenue dans les réservoirs et les récipients d'eau. Remplissez de moitié le réservoir et chaque récipient avec de l'eau et rajoutez une tasse (8 oz) de vinaigre blanc dans chaque contenant. Laissez agir pendant 20 minutes. Videz la solution.
5. Mouillez un chiffon doux avec du vinaigre blanc et essuyez les réservoirs pour enlever les dépôts. Rincez abondamment les récipients et le réservoir avec de l'eau fraîche pour enlever les dépôts et la solution nettoyante avant de désinfecter.

DÉSINFECTION DE L'APPAREIL

6. Remplissez de moitié le réservoir et le récipient avec de l'eau et rajoutez 1c. à thé d'eau de javel dans chaque contenant. Essuyez le boîtier et l'extérieur des récipients avec cette solution. Laissez agir la solution pendant 20 minutes, puis rincez avec de l'eau jusqu'à ce que l'odeur de l'eau de javel ait disparue. Séchez avec un chiffon propre. Vous pouvez essuyer les parois extérieures de l'appareil et du récipient d'eau à l'aide d'un chiffon doux mouillé avec de l'eau fraîche.
7. Remplissez l'appareil et remontez-le selon les directives d'ASSEMBLAGE.

ENTREPOSAGE PENDANT L'ÉTÉ

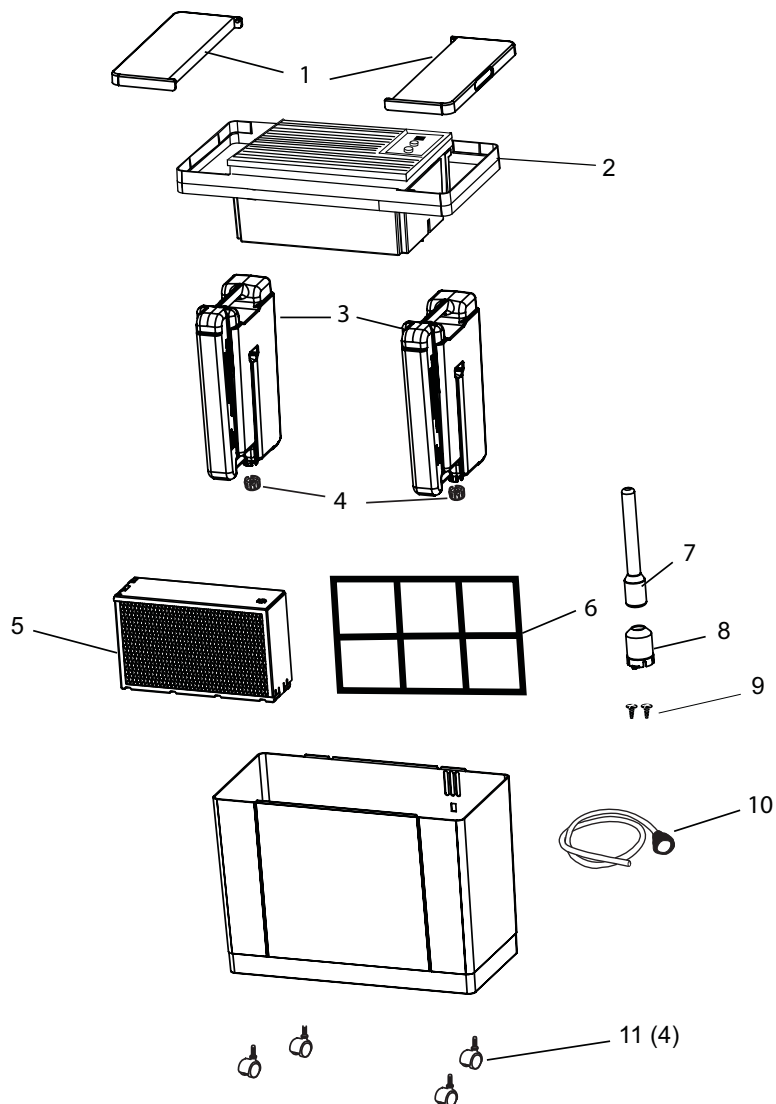
1. Nettoyez l'appareil tel qu'indiqué dans le chapitre portant sur les « Soins et l'entretien ».
2. Jetez les filtres à mèche usés et toute eau résiduelle dans le réservoir ou les récipients. Laissez l'appareil sécher complètement avant de le ranger. N'entreposez pas l'appareil avec de l'eau résiduelle dans les récipients ou dans le réservoir.
3. N'entreposez pas l'appareil dans un grenier ou dans un endroit où la température est élevée, ou des dommages peuvent survenir.
4. Installez un nouveau filtre à mèche avant le début de la saison.

Dépannage

Problème	Cause probable	Solution
L'affichage numérique ne s'allume pas.	<ul style="list-style-type: none">• Pas de tension.• Vous n'avez pas appuyé sur le bouton de mise en marche.• Le bouton ne sort pas pour permettre d'effectuer un ajustement.	<ul style="list-style-type: none">• Inspectez la source d'alimentation 120 V.• Appuyez une fois sur le bouton de mise en marche• Appuyez brièvement sur le bouton HUMIDITY (taux d'humidité) pour faire sortir le bouton de réglage.
Le ventilateur ne fonctionne pas (l'affichage numérique est allumé).	<ul style="list-style-type: none">• Le niveau d'humidité réel de la pièce (ROOM) n'est pas de 3 % inférieur au niveau d'humidité programmé.• Le réservoir est vide.	<ul style="list-style-type: none">• Augmentez le niveau d'humidité programmé (SET) si vous le souhaitez.• Augmentez la vitesse de ventilateur.• Remplissez l'humidificateur avec de l'eau.
Le ventilateur est continuellement en marche. L'appareil ne s'éteint pas.	<ul style="list-style-type: none">• Le flotteur est immobilisé par une obstruction.• Le niveau d'humidité programmé (SET) est de 65 %.• L'humidité réelle de la pièce (ROOM) n'a pas atteint un niveau supérieur de 1 % ou plus au niveau d'humidité programmé (SET).	<ul style="list-style-type: none">• Retirez l'obstruction qui immobilise le flotteur.• Un pourcentage d'humidité programmé (SET) de 65 % force le ventilateur à fonctionner en continu. Choisissez un niveau de réglage entre 25 % et 60 %.• Laissez le ventilateur fonctionner jusqu'à ce que le niveau d'humidité souhaité soit atteint. Cela peut prendre jusqu'à 48 heures initialement.

Problème	Cause probable	Solution
Mauvaise évaporation de l'eau.	<ul style="list-style-type: none"> Le message indiquant qu'il faut vérifier le filtre (CF) clignote. Accumulation de minéraux sur le filtre. 	<ul style="list-style-type: none"> Mettez un filtre neuf. REMARQUE : dans certaines régions l'eau a une forte teneur en minéraux qui entraîne le besoin de changer le filtre plus fréquemment.
Aucun des bidons ne se vide.	<ul style="list-style-type: none"> Le piston du bouchon du bidon n'est pas comprimé par le montant prévu à cet effet au fond du bâti. Filtres sales. 	<ul style="list-style-type: none"> Vérifiez l'orientation des bidons. Repositionnez-les de façon à ce que le piston du bouchon du bidon (la tige) soit comprimé par le montant au fond du bâti. Remplacez-les par des filtres neufs 1041
Les bidons continuent à se vider.	<ul style="list-style-type: none"> De l'air pénètre dans le bidon. 	<ul style="list-style-type: none"> Inspectez les « bouchons à remplissage latéral » et les bouchons d'assemblage des valves pour s'assurer qu'ils sont toujours serrés. Vérifiez qu'il n'y a pas de fuites dans le bidon. Assurez-vous que les joints d'étanchéité pour les « bouchons à remplissage lateral » sont à leur place.
Le bidon continue à se vider meme après avoir été complètement rempli.	<ul style="list-style-type: none"> De l'air pénètre dans le bidon 	<ul style="list-style-type: none"> Vérifiez qu'il n'y a pas de fuites dans le bidon. Veillez à ce que la valve de remplissage soit dans la position de fermeture et que des debris n'encombrent pas la valve.
La lettre « F » (indiquant un remplissage nécessaire) s'allume avant que les bidons ne soient vides.	<ul style="list-style-type: none"> L'appareil n'est pas installé sur une surface de niveau. (Le flotteur ne détectera pas l'eau qui se trouve au fond du bâti.) Le flotteur est n'active pas l'interrupteur 	<ul style="list-style-type: none"> Placez l'appareil de niveau. (La mousse servant à rembourrer la moquette risque de s'affaisser au-dessous de l'avant de l'humidificateur sous le poids additionnel des bidons d'eau.) Repositionner châssis de manière à flotter et le commutateur sont alignés.
L'affichage numérique clignote ou le ventilateur se déplace légèrement quand l'humidificateur est branché.	<ul style="list-style-type: none"> Normal 	<ul style="list-style-type: none"> Aucune action n'est requise.
Affichage alterné de la lettre « F » et du % d'humidité de la pièce.	<ul style="list-style-type: none"> Le réservoir est vide. Le flotteur est n'active pas l'interrupteur 	<ul style="list-style-type: none"> Remplissez l'humidificateur d'eau. Repositionner châssis de manière à flotter et le commutateur sont alignés
Affichage alterné des lettres « CF » et du % d'humidité de la pièce.	<ul style="list-style-type: none"> Le filtre peut être sale. 	<ul style="list-style-type: none"> Remplacez le filtre. Débranchez l'appareil pendant 30 secondes et rebranchez-le. Veiller à flotteur n'est pas abîmée.

PIÈCES DE REMPLACEMENT



Num. Clé	Numéro de Pièce	Description	Quantité
1	1B72336	Bouteille couvercles de couverture	2
2	1B72343	Châssis	1
3	1B5060110	Bouteille d'eau	2
4	1B506000	Ensemble de bouchon	2
5	1041	Méche	1
6	1051	Filtre a air (optionnel)	1
7	1B72087	Flotteur	1
8	S98830496C002	Support de flotteur	1
9	S05829815B000	* Vis à tête cylindrique large Ty « AB » N° 6 x 1/2 SS	2
10	1B5060140	Tuyau de remplissage	1
11	1B5460100	Roulettes	4
12	1B72672	Manuel (non représentés)	1

* Article de quincaillerie standard qu'il est possible de se procurer localement.

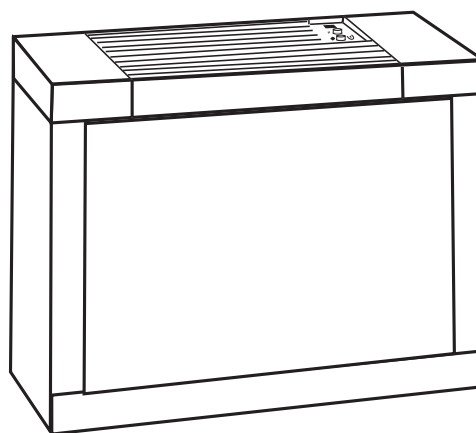
Pour commander des pièces, appelez 1-800-547-3888,

LEA Y GUARDE ESTAS INSTRUCCIONES

AIRCARE®

CONSOLE HUMIDIFICADOR POR EVAPORACIÓN

447 400HB GUÍA DE USO Y CUIDADO



447 400HB

- ▶ Humidistato ajustable
- ▶ Ventilador de 4 velocidades
- ▶ Botellas de agua dobles

Anglais1
Français.....13



PARA ADQUIRIR PIEZAS Y ACCESORIOS LLAME AL 1.800.547.3888

LA COMODIDAD ESTÁ EN EL AIRE

PAUTAS IMPORTANTES DE SEGURIDAD

LEA ESTO ANTES DE USAR SU HUMIDIFICADOR

Instrucciones generales de seguridad

LEER ANTES DE USAR SU HUMIDIFICADOR

PELIGRO: significa que si no se respeta la información de seguridad, alguien puede resultar seriamente herido o muerto.

ADVERTENCIA: significa que si no se respeta la información de seguridad, alguien podría resultar seriamente herido o muerto.

PRECAUCIÓN: significa que si no se respeta la información de seguridad, alguien puede resultar herido.

1. Para reducir el riesgo de incendio o descarga eléctrica, este humidificador posee un enchufe polarizado (una espiga es más ancha que la otra). Enchufe el humidificador directamente a un tomacorriente eléctrico de 120 V de CA. No utilice extensiones. Si el enchufe no encaja completamente en el tomacorriente, inviértalo. Si aún así no encaja, contacte a un electricista calificado para que instale el tomacorriente adecuado. No cambie el enchufe de ninguna manera..
2. Mantenga el cable fuera de las áreas de tránsito. Para reducir el riesgo de peligro de incendio, nunca coloque el cable debajo de alfombras, cerca de fuentes de calor, radiadores, cocinas o calentadores.
3. Siempre desenchufe el humidificador antes de moverlo, antes de limpiarlo o cada vez que el humidificador no esté funcionando.
4. Mantenga el humidificador limpio.
5. No coloque objetos extraños dentro del humidificador.
6. No permita que la unidad se utilice como un juguete. Se debe prestar atención cuando lo utilizan niños o cuando se lo utiliza cerca de niños
7. Para reducir el riesgo de peligro eléctrico o daño al humidificador, no lo mueva, sacuda ni incline mientras la unidad esté en funcionamiento.
8. Para reducir el riesgo de descargas eléctricas accidentales, no toque el cable ni los controles con las manos húmedas.
9. Para reducir el riesgo de incendio, no lo utilice cerca de una fuente de fuego abierta, como una vela u otra fuente.

PRECAUCIÓN: Nunca utilice su humidificador cuando le falte una parte o una parte esté dañada en alguna forma.

PRECAUCIÓN Para reducir el riesgo de incendio, descarga eléctrica o daños, siempre desconecte la unidad antes de realizar el mantenimiento o la limpieza.

PRECAUCIÓN: Para reducir el riesgo de incendio o electrocución, no vierta ni derrame agua sobre la zona del motor o del control. Si se mojan los controles, déjelos secar completamente y haga revisar la unidad por personal de mantenimiento autorizado antes de conectarla.

INTRODUCCIÓN

Su humidificador por evaporación añade humedad invisible a su hogar desplazando aire seco a través de una mecha saturada. A medida que el aire atraviesa la mecha, el agua se evapora en el aire, dejando atrás polvo blanco, minerales o sólidos disueltos o suspendidos. Dado que el agua se evapora, no hay niebla o rocío problemáticos, simplemente aire húmedo limpio e invisible.

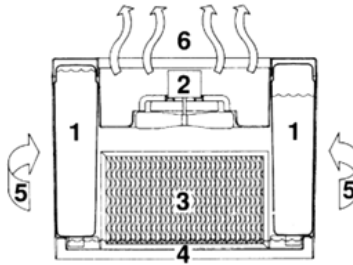
A medida que la mecha de evaporación atrapa los minerales acumulados en el agua, se reduce su capacidad de absorber y evaporar agua. Se recomienda cambiar la mecha al comienzo de la estación. En áreas de aguas duras, deberá reemplazarla con más frecuencia para mantener la eficiencia de su humidificador.

Solo utilice mechas de repuesto y químicos de la marca Essick Air. Para solicitar piezas, mechas y químicos llame al 1-800-547-3888. Esta unidad utiliza mecha el número de pieza 1041. Solo la mecha de evaporación de AIRCARE® o Essick Air® garantiza el rendimiento certificado de su humidificador. El uso de mechas que no son de la marca AIRCARE® o Essick Air® puede anular su garantía y la certificación de rendimiento y puede reducir la eficiencia de su humidificador.

CÓMO FUNCIONA SU HUMIDIFICADOR

REFERENCIAS:

1. Botella de agua
2. Chasis/unidad de fuerza (conjunto del motor/ventilador)
3. Filtro/mecha evaporador
4. Depósito de agua
5. Entrada de aire ambiental seco
6. Salida del aire húmedo



Una vez que la mecha se satura, el aire es aspirado en, pasa a través de la mecha y la humedad es absorbida en el aire.

Todos evaporación se produce en el humidificador por lo que cualquier residuo permanece en la mecha. este proceso natural de evaporación no crea polvo blanco como algunos otros humidificadores.

El aire seco entra al humidificador por la parte trasera y se humidifica a medida que pasa por el filtro/mecha evaporador. Después se expulsa al ambiente por medio del ventilador.

* Basado en una superficie con construcción apretada o promedio construcción y una altura de cielorraso de 8 pies

DESCRIPCIÓN	
Rendimiento durante 24 horas	Hasta 10 galones
Capacidad de la tanque de humidificador	5.5 galones
Cobertura en pies cuadrados*	Hasta 2100 Construcción promedio Hasta 3000+ Construcción hermética
Velocidades del ventilador	4
Meche de reemplazo	1041
Humidistato ajustable	Si
Apagado automático	Si
Indicación de recarga	Si
Controles	Analógica con lectura digital
Ruedas	Si (4)
Registrado por ETL	Si
Voltios	120
Hertz	60
Watts	80

* Basado en una superficie con aislamiento promedio y una altura de cielorraso de 8 pies.

ENSAMBLAJE

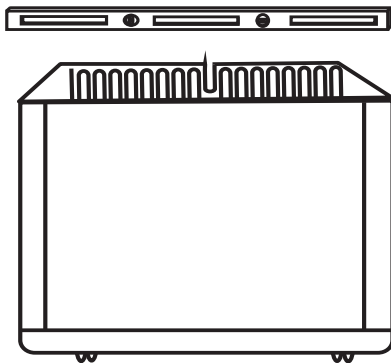
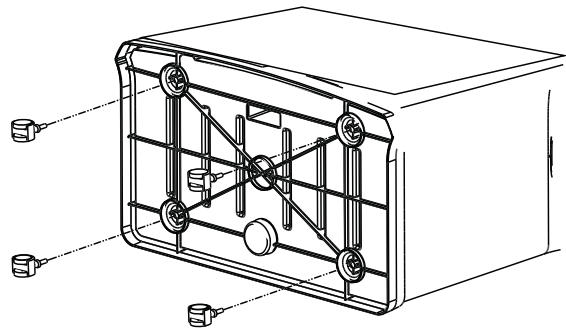
CÓMO DESEMPAQUETAR E INSTALAR LA UNIDAD

1. Retirar los dos insertos de la parte superior del humidificador.
2. Abrir las tapas de la botella de agua. Sacar las botellas de agua, levantar y sacar el chasis/unidad de fuerza y después sacar el gabinete del humidificador de la caja.
3. Sacar el filtro/mecha evaporadora y todos los demás materiales de embalaje del gabinete. Cerciorarse de haber sacado todas las partes siguientes de las cajas, el kit de accesorios y el gabinete antes de deshacerse de los embalajes:

- ◆ Manguera de llenado
- ◆ Kit de ruedas
- ◆ Muestra de tratamiento bactericida
- ◆ Filtro/mecha evaporador
- ◆ Dos botellas de agua con tapas
- ◆ Manual
- ◆ Flotador y soporte con 2 tornillos

RUEDAS

4. Con el acceso a la parte inferior del armario, insertar cada uno de los ejes de las ruedas en cada ángulo del fondo del humidificador. Las ruedas deben encajar bien justas y se deben insertar hasta que el tope del eje llegue a la superficie del gabinete. Poner el gabinete en pie.

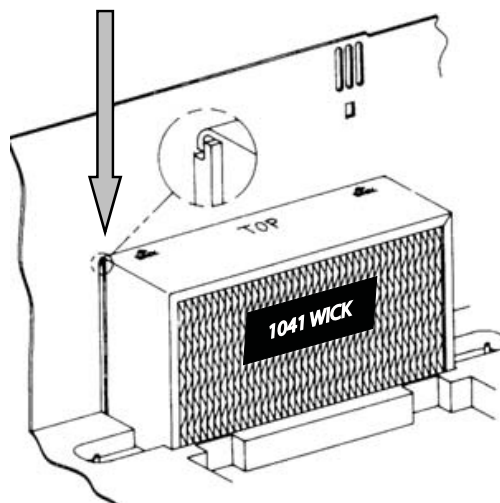


OBSERVACIÓN:

Para asegurar las dos botellas se vacían adecuadamente, utilizar un nivel de burbuja para verificar el gabinete del humidificador se coloca sobre una superficie nivelada.

FILTRO/MECHA EVAPORADOR

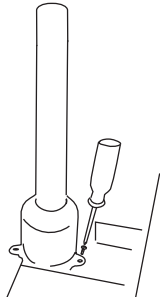
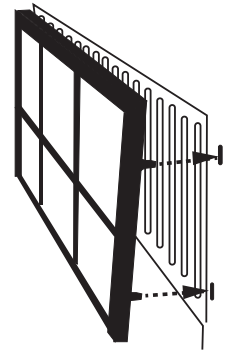
5. Insertar la mecha 1041 en la unidad.
El filtro tiene una nervadura de montaje en el ángulo superior que se encaja en la nervadura de la parte interna trasera del gabinete. Esto permite colgar el filtro en el canal del agua (para detalles, ver ilustración del corte transversal). Colgar el filtro/mecha dentro del gabinete como se muestra.



OPCIONAL FILTRO DE LIMPIEZA DE AIRE (se vende por separado)

6. Si está disponible, instalar el filtro de air AIRCARE® 1051 en la parte trasera de la unidad. El filtro tiene lengüetas que se encajan en cuatro ranuras que permiten el montaje del filtro AIRCARE® por afuera de la parte trasera del gabinete.

Consulte la página 32 para más información sobre el filtro AIRCARE.



INSTALACIÓN FLOTADOR:

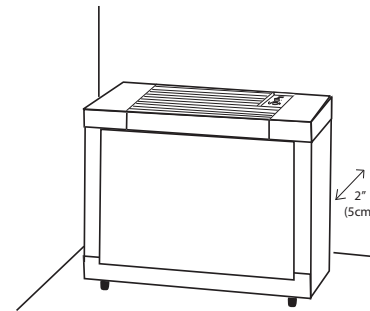
7. Con un destornillador Phillips, instalar el soporte del flotador con flotador en el interior en la base del armario con dos tornillos suministrado.

NOTAS SOBRE LA UBICACIÓN:

Con el fin de conseguir un uso más efectivo del humidificador, es importante colocar la unidad donde se requiera la mayor cantidad de humedad o en el lugar de la casa donde circulará la mayor cantidad de aire; por ejemplo, cerca de un retorno de aire frío. Si la unidad se coloca cerca de una ventana, puede formarse condensación en el cristal de la ventana. Si esto sucede, se debe colocar la unidad en otro lugar.

Coloque el humidificador en una superficie plana y nivelada. NO sitúe la unidad directamente delante de un conducto de aire caliente o radiador. Si se coloca en la alfombra, utilice almohadillas para ruedas para asegurar la colocación de nivel. Debido a que el humidificador emite aire frío y húmedo, se recomienda orientar la dirección del aire lejos del termostato y de las rejillas de aire caliente.

Asegúrese de que el higrostat, que se encuentra en el cable de alimentación está libre de obstrucción y lejos de cualquier fuente de aire caliente.



INFORMACIÓN DE LLENADO

ADVERTENCIA: Para reducir la posibilidad de una descarga eléctrica, asegúrese que el panel de control se mantiene seco mientras que la unidad de llenado.

1. Su humidificador está equipado con dos botellas de agua. Las botellas tienen capacidad para 2.75 galones cada una.
2. Su humidificador viene con una manguera que se adapta a la mayoría de los grifos. Llenar las botellas con agua limpia fría (de preferencia sin ablandar). Si sólo tiene agua blanda en su casa, puede usarla, pero notará una acumulación más rápida de minerales en la mecha humidificador.

OBSERVACIÓN: Para obtener un tiempo de funcionamiento ideal, llenar la botella de agua, apretar la tapa y colocarla dentro de la unidad. No llenar el recipiente del depósito, porque si se recarga demasiado, el agua provocará daños. Usar solamente las botellas que vienen con el equipo. Una de las botellas se vaciará hasta llenar el depósito. Reemplazar la botella parcialmente vacía y recargarla. Volver a colocar en el gabinete del humidificador.

PRECAUCIÓN: Al llenar las botellas, tener cuidado de no causar presión llenándola demasiado. Esto puede dañar la botella y no se vaciará adecuadamente.

OBSERVACIÓN:

El depósito se llenará en 20 minutos la primera vez que lo haga, porque la mecha seca debe absorber el agua. Los siguientes llenados tardarán cerca de 12 minutos, debido a que la mecha ya está saturada.

PRECAUCIÓN

Utilice solamente la EPA registró bacteriostato. **En ninguna circunstancia debe usted usar productos de tratamiento de agua diseñados para humidificadores de rotocorrea o ultrasónicos.**

OBSERVACIÓN:

Se recomienda utilizar el Tratamiento Antibacteriano AIRCARE® o Essick Air® cuando rellene el depósito de agua para eliminar el desarrollo de bacterias. Esto está disponible para su compra llamando al 1-800-547-3888. Añada el bactericida según las instrucciones del envase.

3. Después de que el proceso de llenado se ha completado, coloque el chasis/ la paquete de energía en el gabinete, por lo que no punta o roca.
4. Inserte el botellas de agua en el humidificador, poniéndolas con la válvula de la tapa final, de modo que la ranura en la botella de agua se enfrenta el interior. Observe la etiqueta de color naranja en la botella para la orientación correcta.
5. Vuelva a colocar las botellas de agua cubierta.

ACERCA DE LA HUMEDAD

El punto en el que ajuste los niveles de humedad deseado depende de su nivel de comodidad personal, la temperatura exterior y la temperatura interior.

NOTA: Pruebas recientes de los CDC muestran que las posibilidades de transmisión de la gripe se reducen en gran medida a niveles de 43% de humedad.

Es posible que desee comprar un higrómetro para medir el nivel de humedad en su hogar. El siguiente es un diagrama de ajustes de humedad recomendados.

IMPORTANTE: El agua puede producir daños si comienza a formarse condensación en ventanas o paredes. Debe disminuirse el punto de AJUSTE de la humedad hasta que ya no se forme condensación. Se recomienda que los niveles de humedad de la habitación no excedan el 50%.

* Cuando la temperatura exterior es de:		La humedad relativa (HR) interior recomendada es del
°F	°C	
-20	-30°	15 - 20%
-10°	-24°	20 - 25%
2°	-18°	25 - 30%
10°	-12°	30 - 35%
20°	-6°	35 - 40%
30°	-1°	40 - 45%

* o mayor

* Modelo 1990 higrómetro digital está disponible para su compra llamando al 1-800-547-3888.

NOTA: Las lecturas del higrómetro externos y lecturas humidistato pueden ser diferentes. Los niveles de humedad pueden variar significativamente, incluso en una habitación.

CONTROLES Y FUNCIONAMIENTO

Esta unidad cuenta con un panel de control híbrido con perillas de ajuste y una pantalla digital para controlar la humedad y la configuración del ventilador.

1. Conecte el enchufe en un tomacorriente de pared. Su humidificador ya está listo para ser utilizado.
2. Presione la perilla inferior para encender la unidad.

VELOCIDAD DEL VENTILADOR:

3. Gire la perilla de velocidad del ventilador en el sentido de las agujas del reloj para aumentar la velocidad del ventilador. Los ajustes de 4 velocidad aparecerán en el visualizador de LED.



OBSERVACIÓN: Cuando haya condensación excesiva, se recomienda usar una velocidad más baja.

CONTROL DE HUMEDAD

NOTA: Permita de 10 a 15 minutos para que el higrómetro se acostumbren a la habitación cuando la configuración de la unidad por primera vez.

NOTA: OBSERVACIÓN: Cada modelo presenta un humidistato automático con ajustes del 25 al 65%. El humidistato encenderá el humidificador cuando la humedad en el hogar sea inferior al ajuste del humidistato y apagará el humidificador cuando la humedad alcance el ajuste que figura en el humidistato. Cuando se lo regula a 65%, el humidificador funcionará de forma continua.

Presione la flecha hacia arriba o hacia abajo en la sección HUMIDITY SET (AJUSTE DE LA HUMEDAD) del panel para ajustar el nivel de humedad en incrementos del 5%. A un punto de ajuste del 65%, la unidad funcionará de manera continua.

PANTALLA DEL PANEL DE CONTROL

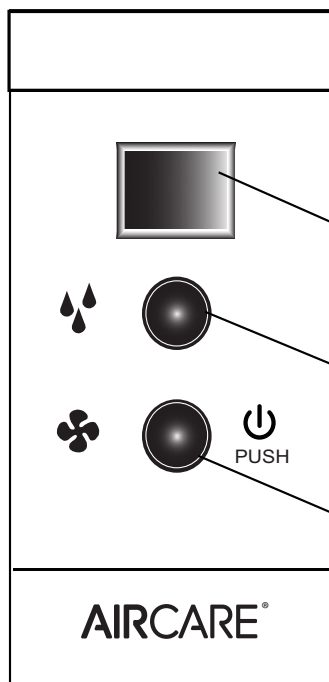
Varias funciones del humidificador pueden ser monitoreados a través de la pantalla LED en el panel de control.

RELLENAR INDICACIÓN

4. Primero se debe vaciar una botella. Cuando la unidad se encuentre completamente sin agua, aparecerá una F en el control y el motor se apagará. Después del rellenado, la unidad volverá a iniciarse automáticamente.

INDICACIÓN DE FILTRO

La capacidad de cualquier humidificador para suministrar de manera eficiente humedad depende en gran medida de la condición del filtro. A medida que el filtro se carga con impurezas, pierde gradualmente su capacidad de mecha. Cuando esto ocurre, la producción de humedad se reduce y el humidificador tiene que trabajar más tiempo para satisfacer el ajuste seleccionado.



Digital display muestra:

Humedad Actual %
Humedad Deseado %
(Del 25% al 65% en incrementos del 5%)
Agua de recarga (F)
Comprobación del filtro (CF)

Control de humedad

Encienda para aumentar la velocidad

Encendido

Presione para activar / desactiva
Velocidad Del Ventilador
Encienda para aumentar la humedad



5. Este humidificador posee un recordatorio de control de filtro programado para dar aviso después de 720 horas de funcionamiento. Cuando el mensaje de control del filtro (CF) aparezca en el visualizador, desconecte el cable de alimentación y controle el estado del filtro. La función CF vuelve a cero luego de conectar la unidad nuevamente.



FILTRO AIRCARE® (Se vende por separado)

El filtro aéreo AIRCARE® es una excelente manera de limpiar el aire mientras utiliza el humidificador. La primera etapa del filtro de aire es un filtro electrostático de alta eficiencia, que atrapa polvo, polen y contaminantes del aire. La segunda etapa es un dispositivo de carbón activado que absorbe los olores de la cocina, de animales domésticos y el humo de tabaco.

Recomendamos cambiar el filtro AIRCARE® por lo menos una vez por año y más frecuentemente en caso de necesidad. Cuando el filtro blanco esté cubierto de una capa de polvo y suciedad, se debe cambiar el filtro. La capacidad de salida de agua certificada de su humidificador se reducirá cuando use el filtro AIRCARE®. Los filtros AIRCARE® son opcionales y no son necesarios para el funcionamiento normal del humidificador. El 1051 está disponible para su compra llamando al 1-800-547-3888.

CUIDADOS Y MANTENIMIENTO

PRECAUCIÓN: Desenchufar la unidad antes limpiarla o efectuar reparaciones en ella. Siempre mantener la rejilla seca.

Limpiar su humidificador regularmente ayuda a reducir olores y el crecimiento de bacterias y hongos. El blanqueador doméstico común es un buen desinfectante y se puede usar para repasar la base del humidificador y la botella/depósito después de limpiarlos.

Recomendamos limpiar su humidificador por lo menos una vez cada dos semanas para mantener las condiciones ambientales ideales en su hogar.

También recomendamos usar el Tratamiento Antibacteriano Essick Air cada vez que rellene su humidificador para eliminar el crecimiento bacteriano. Añadir el bactericida de acuerdo a las instrucciones del embalaje. Para encomendar el Tratamiento Antibacteriano (Nº 1970), llame al 1-800-547-3888.

1. Encender la unidad completamente fuera y desenchufarlo de la toma de corriente.
2. Levantar y sacar las botellas de agua y la unidad de fuerza.
3. Llevar la botella y la base para la limpieza en la pileta. Levantar el filtro/mecha con el conjunto del flotador de la base, dejando drenar el agua y retirar el conjunto del flotador del filtro/mecha. Enjuagar la mecha solamente con agua limpia. No usar jabón, detergente o cualquier otro producto de limpieza en la mecha. Dejarla escurrir en la pileta.

REMOCIÓN DE SARRO

4. Vaciar el agua del depósito y de las botellas de agua. Llenar el depósito y la botella hasta la mitad con agua y añadirle 8 oz. (1 taza) de vinagre blanco a cada uno. Dejar reposar durante 20 minutos después vaciarlo.
5. Humedecer un paño suave con vinagre blanco y frotar el depósito para retirar el sarro. Enjuagar las botellas de agua y el depósito cuidadosamente con agua limpia para remover el sarro y la solución de limpieza antes de desinfección.

DESINFECCIÓN DE LA UNIDAD

6. Llenar la botella de agua y el depósito con agua hasta la mitad y agregarle una cucharadita de blanqueador a cada uno. Humedecer todas las superficies de la botella de agua y del gabinete. Dejar reposar la solución durante 20 minutos, después enjuagar con agua hasta que el olor a blanqueador se ha agotado. Secar con un paño limpio. Se puede repasar la parte de afuera de la unidad y la botella de agua con un paño humedecido en agua limpia.
7. Rellenar la unidad y reensamblarla de acuerdo a las instrucciones de ENSAMBLAJE.

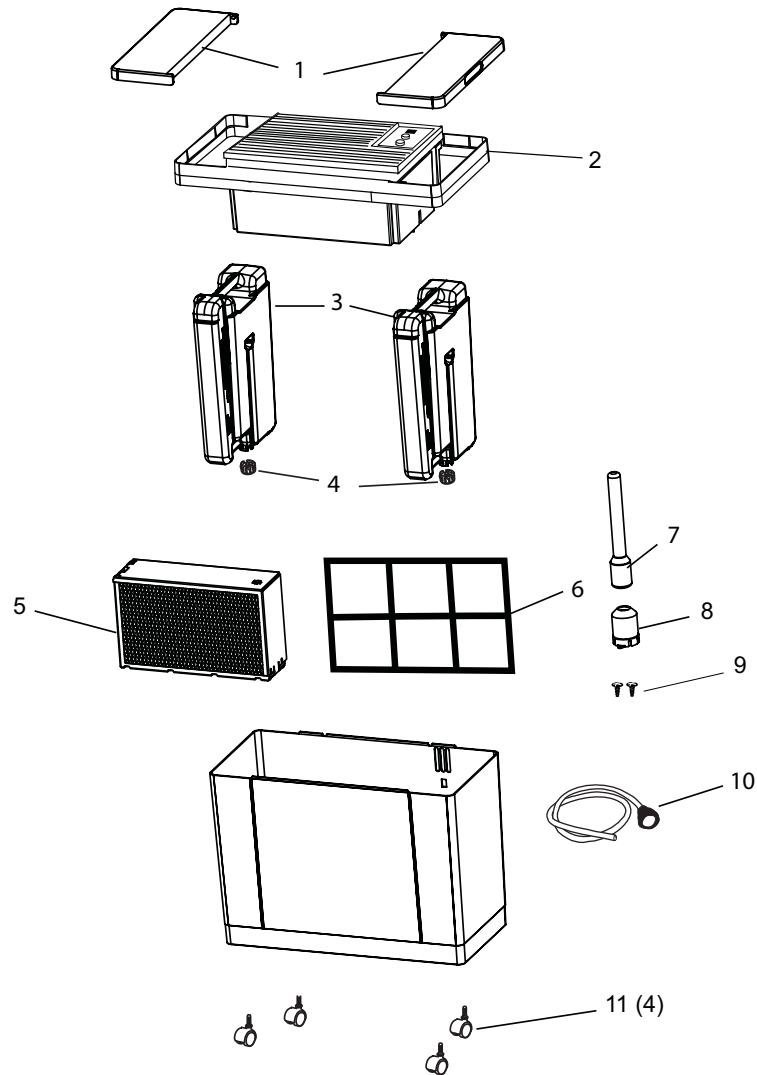
ALMACENAMIENTO DURANTE EL VERANO

1. Limpiar la unidad como se describe en la sección Cuidados y Mantenimiento.
2. Desechar los filtros/mecha usados y el agua que pueda quedar en el depósito o botellas y dejar secar bien el gabinete antes de guardarlo. No guardarlo con agua dentro del depósito o botellas.
3. No almacenar la unidad en sótanos o áreas con alta temperatura, que se produzcan daños.
4. Instalar un nuevo filtro al comienzo de la temporada.

SOLUCIÓN DE PROBLEMAS

Problema	Causa probable	Remedio
La pantalla digital no está iluminada.	<ul style="list-style-type: none"> No hay alimentación eléctrica. No se ha oprimido el botón de alimentación. Se inició el NIGHT MODE (LIGHTS OUT) (modo nocturno [luces apagadas]). 	<ul style="list-style-type: none"> Compruebe la fuente de alimentación de 120 V. Oprima el botón de alimentación una vez para encender la unidad. Presione cualquier botón y las luces de control se volverán a encender.
El ventilador no funciona (la pantalla digital está iluminada).	<ul style="list-style-type: none"> El nivel de humedad AMBIENTE no está un 3% o más por debajo del nivel de AJUSTE de humedad. El depósito está vacío. 	<ul style="list-style-type: none"> Suba el nivel de AJUSTE de humedad si así lo desea. Aumente la velocidad del ventilador. Llene el humidificador con agua.
El ventilador está en marcha continuamente.	<ul style="list-style-type: none"> El flotador está obstruido. El nivel de AJUSTE de humedad es del 65%. El nivel de humedad AMBIENTE no ha alcanzado un 1% o más por encima del nivel de AJUSTE de humedad. 	<ul style="list-style-type: none"> Libere el flotador de la obstrucción. Un porcentaje de AJUSTE de humedad del 65% hace que el ventilador funcione continuamente. Gradúe el nivel de AJUSTE entre 25% y 60%. Siga haciendo funcionar la unidad hasta que se alcance el nivel de humedad deseado. Esto se podría tomar hasta 48 horas inicialmente.
Mala evaporación de agua.	<ul style="list-style-type: none"> El mensaje de Comprobar el filtro "CF" está parpadeando. Acumulación de minerales en el filtro. 	<ul style="list-style-type: none"> Cambie el filtro con un filtro totalmente nuevo. <p>NOTA: La pureza del agua local varía de un área a otra.</p>
Ninguna de las dos botellas se está vaciando.	<ul style="list-style-type: none"> Unidad no está nivelada Botella émbolo de la tapa no se ha colocado en el poste en el fondo del gabinete Filtros sucios. 	<ul style="list-style-type: none"> Asegúrese unidad se coloca nivel Compruebe la orientación de las botellas. Reposiciónelas de modo que el émbolo (vástago) de la tapa de la botella sea oprimido por el poste ubicado en el fondo del gabinete. Cambie los filtros usando filtros totalmente nuevos
Las botellas siguen vaciándose.	<ul style="list-style-type: none"> Está entrando aire en las botellas de aguas. 	<ul style="list-style-type: none"> Compruebe las tapas de montaje de la válvula aseguran la estanqueidad. Compruebe si hay fugas en botellas.
La botella izquierda no se está vaciando.	<ul style="list-style-type: none"> La botella derecha contiene agua. 	<ul style="list-style-type: none"> El humidificador está diseñado para que la botella derecha se vacie primero.
La visualización "F" de llenar está encendida antes de que las botellas estén vacías.	<ul style="list-style-type: none"> La unidad no está colocada en una superficie nivelada. (El flotador no detectará agua en la parte delantera del gabinete.) 	<ul style="list-style-type: none"> Posicione la unidad de modo que esté nivelada. (Algunos acolchados de alfombra pueden permitir que la unidad se asiente más baja en la parte delantera que en la parte trasera, con el peso adicional de las botellas de agua en la parte delantera del gabinete.
Se visualizan alternativamente "CF" y la humedad ambiente.	<ul style="list-style-type: none"> El filtro podría estar sucio. 	<ul style="list-style-type: none"> Cambie el filtro. Desenchufe la unidad durante 1-2 minutos y reajuste. Reenchúfela para borrar la pantalla.
Mensaje "CF" hace no aparece incluso cuando mecha está sucio o rendimiento humidificador se reduce claramente.	<ul style="list-style-type: none"> Pérdida de potencia o un apagón ha causado el mensaje de CF a prematuramente restablecer. 	<ul style="list-style-type: none"> Reemplace mecha.
La visualización parpadea o el ventilador se mueve ligeramente al enchufar el humidificador	<ul style="list-style-type: none"> Normal. 	<ul style="list-style-type: none"> No es necesario tomar medidas.
Se visualizan alternativamente "F" y la humedad ambiente.	<ul style="list-style-type: none"> El depósito está vacío. El flotador no está activando el interruptor 	<ul style="list-style-type: none"> Llene el humidificador con agua. Vuelva a colocar el chasis para que float y el interruptor están alineados.
Se visualizan alternativamente "CF" y la humedad ambiente.	<ul style="list-style-type: none"> El filtro podría estar sucio. 	<ul style="list-style-type: none"> Cambie el filtro. Desenchufe la unidad durante 1-2 minutos y reajuste. Reenchúfela para borrar la pantalla.

LISTA DE PIEZAS DE REPUESTO



N.º DE ARTÍCULO	N.º DE PIEZA	DESCRIPCIÓN	QTY
1	1B72336	Tapas de botellas de agua	2
2	1B72341	Chassis	1
3	1B5060110	Botella de agua	2
4	1B506000	Conjunto de la tapa de la botella	2
5	1041	Mecha	1
6	1051	Filtro aéreo (opcional)	1
7	1B72087	Flotador	1
8	S98830496C002	Flotador soporte	1
9	S05829815B000	*Tornillo de cabeza troncocónica tipo "AB" No. 6 x ½ SS	2
10	1B5060140	Manguera de llenado	1
11	1B5460100	Ruedas	4
12	1B72836	Manual (no mostrado)	1

* Elemento de hardware estándar. Localmente procurable.
 Para pedir piezas, llame al 1-800-547-3888, o visite: <http://store.essickair.com>.