

This Owner's Manual is provided and hosted by [Appliance Factory Parts](#).



Smoke Hollow PS9500 Owner's Manual

[Shop genuine replacement parts for Smoke Hollow
PS9500](#)



[Find Your Smoke Hollow Grill Parts - Select From 115 Models](#)

----- Manual continues below -----



Deluxe Outdoor

Assembly & Operation

Grill & Smoker PS9500



Conforms to ANSI STD Z21.58b-2012
OUTDOOR COOKING GAS APPLIANCE

Intertek





Tools needed for assembly:



Phillips screwdriver, Pliers or Adjustable Wrench

⚠ DANGER ⚠
<p>If you smell gas:</p> <ol style="list-style-type: none"> 1. Shut off gas to the appliance. 2. Extinguish any open flames. 3. Open lid. 4. If odor continues, keep away from the appliance and immediately call your fire department.
<p>Failure to follow these instructions could result in fire or explosion which could cause property damage, personal injury or death.</p>

⚠ DANGER ⚠
<ol style="list-style-type: none"> 1. Never operate this appliance unattended. 2. Never operate this appliance within 10 ft (3.0 m) of any structure, combustible material or other gas cylinder. 3. Never operate this appliance within 25 ft (7.5 m) of any flammable liquid. 4. Do not fill cooking vessel beyond maximum fill-line. 5. Never allow oil or grease to get hotter than 400°F or 200°C. If the temperature exceeds 400°F (200°C) or if oil begins to smoke, immediately turn the burner or gas supply OFF. 6. Heated liquids remain at scalding temperatures long after the cooking process. Never touch cooking appliance until liquids have cooled to 115° F (45°C) or less. 7. If a fire should occur, keep away from the appliance and immediately call your fire department. Do not attempt to extinguish an oil or grease fire with water.
<p>Failure to follow these instructions could result in fire or explosion which could cause property damage, personal injury or death.</p>



 **WARNING** 

For Outdoor Use Only
(outside of any type of enclosure)

 **DANGER** 



- Never use the gas or charcoal grill for INDOOR cooking or heating
- Never use the grill on or in a boat or recreational vehicle

The combustion fumes from either the gas or charcoal grill are toxic and can cause severe illness and possibly death.



 **WARNING** 

If you smell gas –

- Turn off the gas supply to the appliance
- Extinguish any and all open flames
- Open the Lid of the Grill
- If the odor remains, stay away from the grill and notify your gas supplier and/or the Fire Department.



 **WARNING** 

The combustion of Propane gas can yield the formation of chemical compounds known in the state of California, U.S.A., to cause birth defects, cancer, and other serious health matters.

 **WARNING** 



Read this installation manual before assembling or servicing this appliance.

Failure to follow these instructions may result in a faulty installation, which could cause damage to property, personal injuries or even death.



 **WARNING** 

- Do not use or store gasoline, kerosene, alcohol, or other flammable liquids or vapors in the vicinity of this appliance or any other appliance.
- Any LP Gas Cylinder NOT connected for use with the appliance, shall not be stored in the same vicinity of this or any other appliance.

A LP Propane Gas Cylinder is needed for operating the gas side of this grill.
The LP Gas Cylinder is NOT included.
This gas grill is only intended for Domestic use, not to be used for any commercial purpose.

 **IMPORTANT** 

Save these instructions after reading them in case you need to refer to them in the future.

 **WARNING** 

CALIFORNIA PROPOSITION 65
Combustion by-products produced when using this product contain chemicals known to the State of California to cause cancer, birth defects, and other reproductive harm.



Read all safeguards and assembly instructions before assembling and operating your grill/smoker.

Before assembling your new grill/smoker, unpack all the parts from the box. Carefully remove all packing material and lay out all the parts for easy access and identification. Do not discard the carton or packaging until your smoker is fully assembled and operating to your satisfaction.

In order to properly assemble your smoker, you will only need two tools:

- ***Phillips head screwdriver***
- ***Pliers or adjustable wrench (tools not included)***

The grill/smoker is heavy and must be moved around during assembly and before use. Be sure to have a friend help.

Outdoor Leisure Products, Inc.

5400 Doniphan Drive

Neosho, MO 64850

Toll Free: 866-475-5180

Website: www.olp-inc.com

8:30am to 4:30pm, Central Time



Monday through Friday

SAFETY WARNINGS

1. The installation of this grill must conform to local codes, or in the absence of local codes, with either the *National Fuel Gas Code, ANSI Z223.1 / NFPA 54, Natural Gas and Propane Installation Code, CSA B149.1, or Propane Storage and Handling Code, B 149.2, or The Standard for recreational Vehicles, ANSI 119.2 / NFPA, and CSA Z240 RV Series, Recreational Vehicle Code*, as Acceptable.
2. The Gas Grill side of the PS9500 is for use with LP (Propane) Gas ONLY! LP Gas Cylinder is NOT included with the Grill.
3. Never use lighter fluid, gasoline, kerosene, or alcohol for lighting the gas grill.
4. The LP Gas supply Cylinder used must be constructed and marked in accordance with the *Specifications of the U.S. Department of Transportation (D.O.T.) or The Standard for Cylinders, Spheres and Tubes for Transportation of Dangerous Goods; and Commission, CAN/CSA-B339*, as applicable. It MUST be provided with a Listed Overfilling Device. Only use 20 pound cylinders that have a type 1 cylinder connection device compatible with the Connection for Outdoor Cooking Appliances.
5. The LP gas cylinder must be arranged for vapor withdrawal, purging and have an overfilling prevention device.
6. LP Gas Cylinders must be stored outdoors, out of the reach of children, and must not be stored in a building, garage or any other enclosed area.
7. The Pressure regulator and Hose Assembly supplied with the Grill, must be used. Any replacement regulator and hose assemblies must be those specified by the outdoor cooking gas appliance manufacturer.
8. The LP Gas Cylinder must include a collar to protect the cylinder valve. Do not obstruct the ventilation opening of the cylinder enclosure.
9. Do not store a spare LP Gas Cylinder under or near this grill.
10. Never fill the LP Gas Cylinder beyond 80% full. For vapor withdrawal /purging, the cylinder should be in the upright position.
11. This outdoor cooking gas appliance must only be used outdoors, and must not be used in a building, garage or any enclosed area
12. The following distances for proper clearance must be maintained :
 - Minimum distance from back and sides of the outdoor cooking gas appliance to walls is 36" (1 meter)
 - Do not use under any overhead combustible constructions
 - For outdoor use only
 - Remove LP Gas Cylinder from grill if storing grill indoors
13. This outdoor cooking gas appliance is not intended to be installed in or on boats
14. Inspect the Gas Hose before each use. If the Hose has any leak, cut or wear, it must be replaced BEFORE using the grill
15. Do not try to move the grill while either gas, charcoal or smoker firebox is lit.
16. Wait one hour minimum before touching any metal parts, until they are cool.
17. NEVER leave the grill unattended when in use.
18. Keep children and pets away from the grill when in use.
19. Note: Grease Drip Trays and Grease Cup should be emptied and cleaned after each use to prevent flare – ups and /or grease fires.

IF THESE INSTRUCTIONS ARE NOT FOLLOWED EXACTLY, A FIRE CAUSING DEATH OR SERIOUS INJURIES MAY OCCUR!

READ ALL SAFEGUARDS AND INSTRUCTIONS THOROUGHLY!
YOUR SAFETY IS VERY IMPORTANT – FAILURE TO FOLLOW PROPER PROCEDURES AND SAFEGUARDS MAY RESULT IN PROPERTY DAMAGE, PERSONAL INJURY OR DEATH.

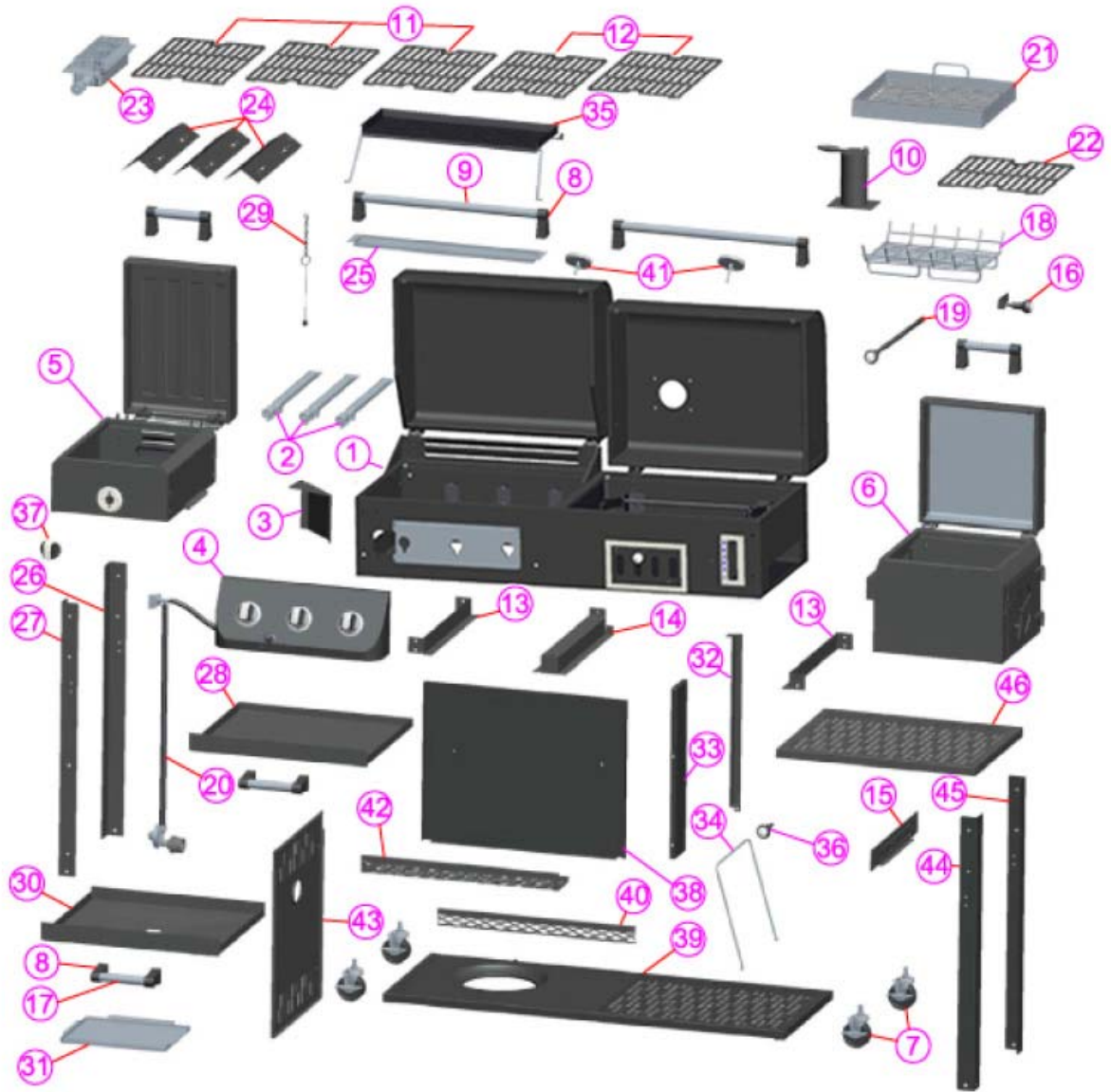
 DANGER	DANGER 
<ul style="list-style-type: none"> . The GRILL is for outdoor use only! . Do NOT use this grill for other than its intended purpose. . Do not leave grill unattended when in use. . Do not use gasoline, kerosene or alcohol for lighting charcoal, use of any of these or similar products may cause an explosion possibly leading to severe bodily harm. . Never operate this grill under any overhead roof covering, awning or overhang. Never use inside an enclosed area such as screen patios, garages, buildings or tents. . Keep the area clear of all flammable liquids, combustible material including but not limited to wood, dry plants including grass, brush, paper, and canvas. . Grill is HOT while in use and after use – Avoid touching hot surfaces. Always wear protective gloves or mitts when operating the smoker. . Keep children and pets away from the grill at all times. . Do not allow anyone to conduct activities around the grill during or following its use until the unit has cooled. The grill is hot during operation and remains hot for a period of time following its use. . Always wear shoes and protective clothing during operation of this smoker. . Never use glassware, plastic, or ceramic cookware in this grill. . The firebox lid will be extremely hot. . When grilling, grease from meat may drip into the charcoal and cause a grease fire. If this should happen, close the lid and dampers to suffocate the flame. . Do not use water to extinguish grease fires. 	<ul style="list-style-type: none"> . Do not move the unit while it is being used. . Do not use in windy conditions. . Use caution when opening the lid, as hot steam or a flame flare-up could cause burns. . Before each use, make sure the unit is in good working condition. . Use caution after the fire has been extinguished, the surface will remain hot for some time. . Be sure all charcoals are cold before emptying, if necessary pour water on coals before moving grill. . Store the grill out of reach of children and in a dry location when not in use. . Check grease and or ash level in ash pan often and empty. Use extreme caution as the smoker, and metal ash pan will be hot. . When opening the lids, keep hands, face and body a safe distance from hot steam and flame flare-ups. . Do not allow charcoal and or wood to rest on the walls of the firebox and cooking chamber. Doing so will greatly reduce the life of the metal and finish of your smoker. . Close lids and all dampers to suffocate flame. . Never leave coals and ashes in grill unattended. Before grill can be left unattended, remaining coals and ashes must be removed from smoker. . Use caution when lifting or moving smoker to prevent strains and back injuries. . Properly dispose of all packaging material.

USE CAUTION AND COMMON SENSE WHEN OPERATING YOUR SMOKER. READ ALL INSTRUCTIONS, WARNINGS AND SAFEGUARDS PRIOR TO ASSEMBLING AND OPERATING YOUR SMOKER.

SAVE THESE INSTRUCTIONS

PS9500 Parts List

Note: For assistance, including missing or damaged parts, call toll free - 866-475-5180 from 8:30 am - 4:30 pm Central Time, Monday - Friday



Hardware Pack

Item	Quantity	Description
1	108	M6X15 Combo Head Bolts
2	2	M6X30 Combo Head Bolts
3	5	ST4.0*10 Combo Head Screws
4	14	M6 KEPS Nuts
5	2	Hinge Pins
6	2	R Clips
7	1	AA Battery
8	1	M6 Metal Lock Nut
9	1	Wheel Wrench

PS9500 Parts List

Item NO.	Quantity	Description	Part No.
1	1	Gas And Charcoal Cabinet With Lids	PS9500-01
2	3	Burner Tubes With Ignition Electrodes	47183T-02
3	1	HVR Cover	47183T-03
4	1	Control Panel Assembly	47183T-04
5	1	Sear Burner Housing and Lid Assembly	47183T-05
6	1	Firebox Housing.	47183T-06
7	4	Locking Caster Wheels	TR007
8	12	Handle Stand- Off	TR008
9	2	Long Handle Tube	TR009
10	1	Smoke Stack Assembly	TR010
11	3	Charcoal and Sear Burner Cooking Grids	47183T-11
12	2	Gas Cooking Grids	47183T-12
13	2	Side Drip Tray Guides	47183T-13
14	1	Center Drip Tray Guide	47183T-14
15	1	Firebox Support Bracket	TR015
16	1	Firebox Door Handle	TR016
17	4	Short Handle Tube	TR017
18	1	Firebox Wood Rack	47183T-18
19	1	Charcoal Tray Lift Handle	TR019
20	1	Hose, Valves and Regulator (HVR)	47183T-20
21	1	Charcoal Tray	47183T-21
22	1	Firebox Cooking Grid	47183T-22
23	1	Sear Burner	TR023
24	3	Heat Tents	47183T-24
25	1	Gas Grill Lid Heat Shield	47183T-25
26	1	Left Rear Leg - Yellow Label # 3	47183T-26
27	1	Left Front Leg - Green Label # 4	47183T-27
28	1	Charcoal Drip Tray	TR028
29	1	Matchlighter and chain	TR029
30	1	Gas Drip Tray	47183T-30
31	1	Removable Grease Cup	47183T-31
32	1	Rear Vertical Support	47183T-32
33	1	Front Vertical Support	47183T-33
34	1	Cylinder Retainer Wire	47183T-34
35	1	Warming Rack	TR035
36	1	Damper Knob	TR036
37	1	Sear Burner Gas Valve Knob	TR037
38	1	Cart Front Panel	47183T-38
39	1	Bottom Shelf	47183T-39
40	1	Lower Condiment Front Mesh	47183T-40
41	2	Heat Indicators with wing nut and washer	TR041
42	1	Middle Condiment Rack	47183T-42
43	1	Cart Left Side Panel	47183T-43
44	1	Right Front Leg - Blue Label # 2	47183T-44
45	1	Right Rear Leg - White Label # 1	47183T-45
46	1	Middle Mesh Shelf	47183T-46
47	1	Hardware Blister Pack	47183T-47
48	1	Instruction Manual	PS9500-48

Assembly

Note: Carefully cut the straps holding the carton together. Cut the carton sleeve so that it can lay flat on the ground to provide a clean surface for assembling your Grill. Remove the packing materials and all the parts from inside the Cabinet. After unpacking all the parts, check to make sure you HAVE all the parts. If anything is damaged or missing, contact our toll free number: 866-475-5180. Discard all packing material in a safe and recyclable manner. Save this Assembly Manual for future reference.

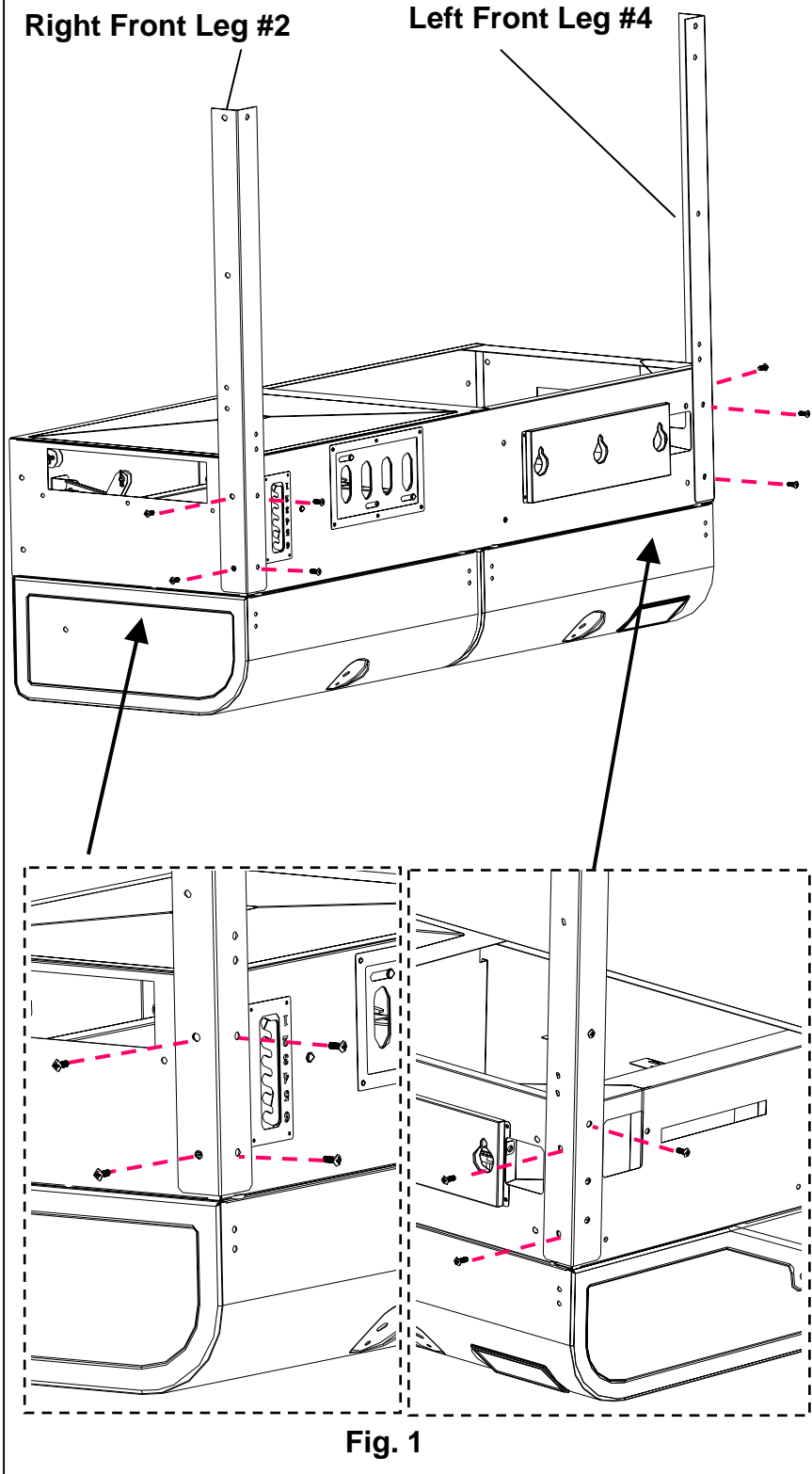
Note: "Do not tighten any bolts until instructed to do so at a later date"

Tools Required: Phillips Head Screwdriver, Adjustable Wrench or Pliers

Step 1

Right Front Leg #2

Left Front Leg #4



Step 1: Front Leg Assembly

Locate: Cabinet and Lid Assembly, Left Front Leg #4, and Right Front Leg #2 and (7) M6x15 bolts.

Note: Each Leg will have an identification label. **Do not tighten any bolts until instructed to do so later in the assembly. (After you complete step 14)**

Procedure: Position Cabinet Upside Down as shown in Fig. 1 and attach the Left Front Leg using (3) M6x15 bolts and the Right Front leg using (4) M6x15 bolts, as shown in Fig. 1.

Assembly

Step 2

Left Rear Leg #3

Right Rear Leg #1

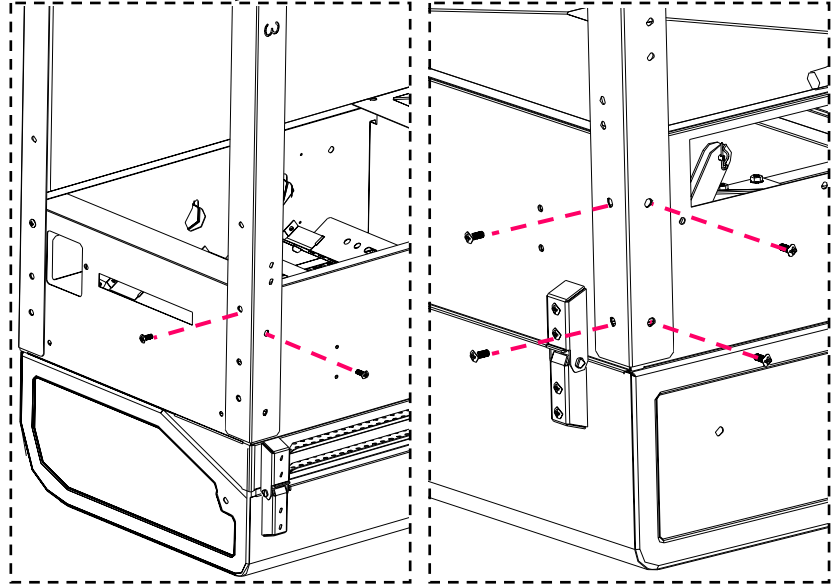
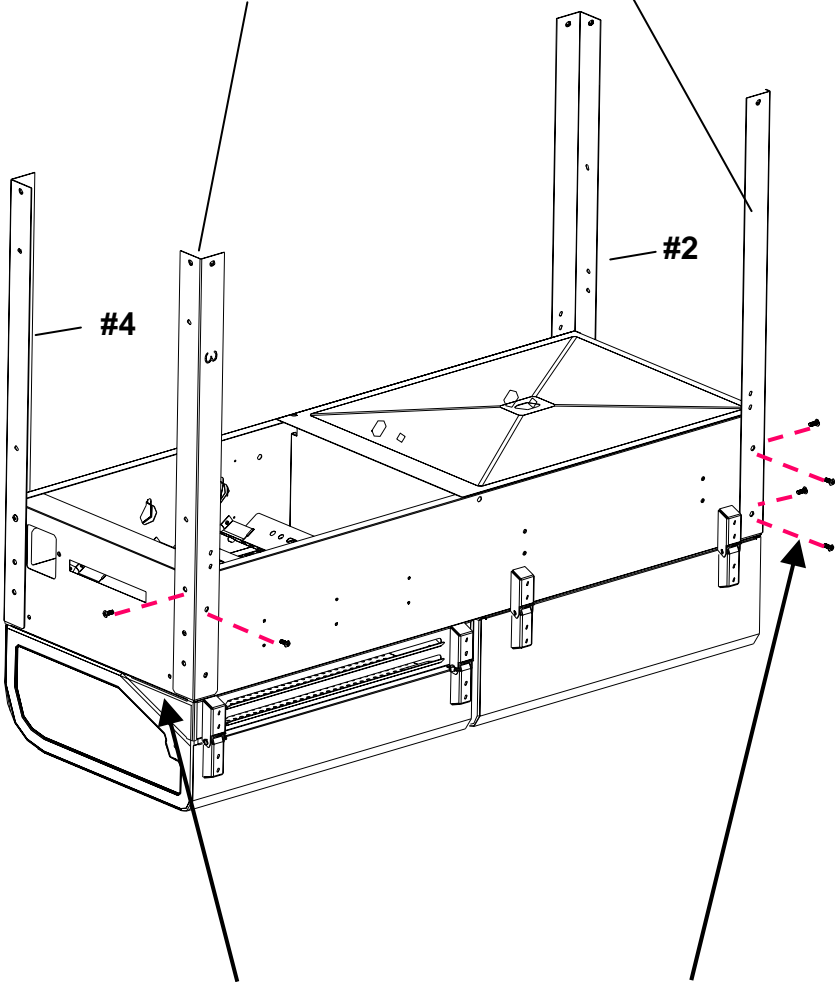


Fig. 2

Step 2: Rear Leg Assembly

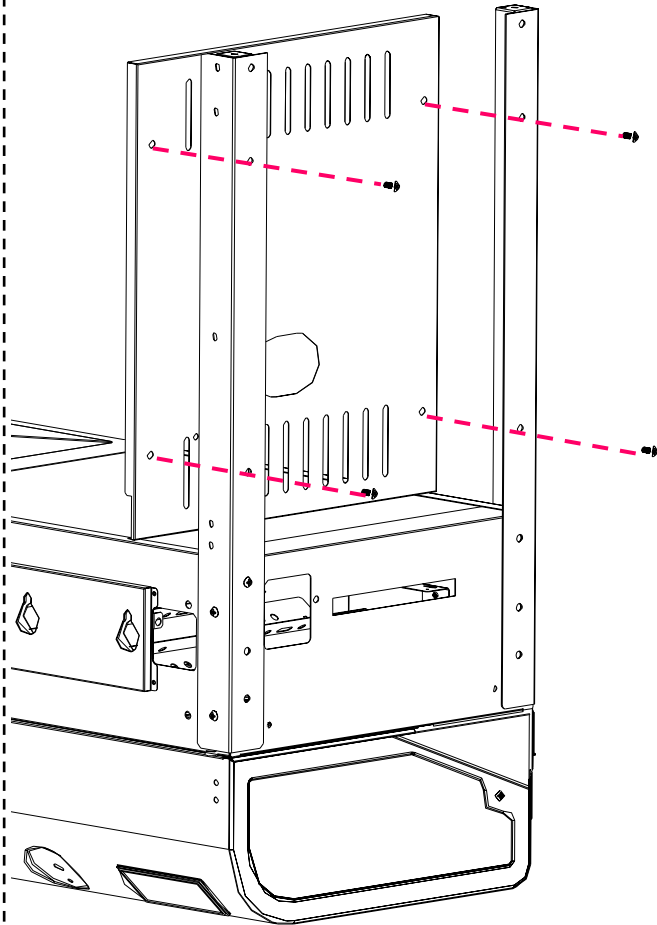
Locate: Left Rear Leg #3 and Right Rear Leg #1 and (6) M6x15 bolts

Procedure: Attach Left Rear Leg using (2) M6x15 bolts and Right Rear Leg using (4) M6x15 bolts, as shown in Fig. 2.

Assembly

Step 3

Fig. 3



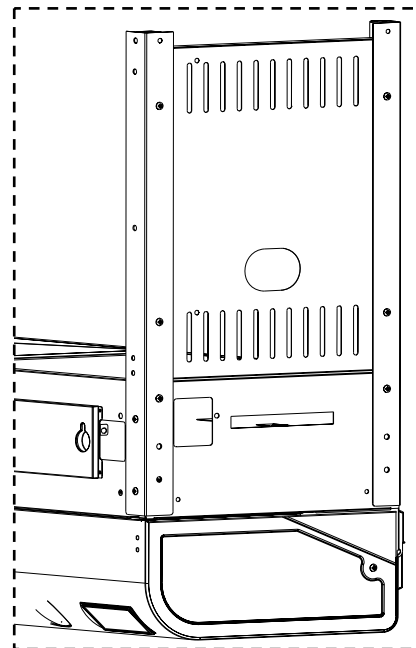
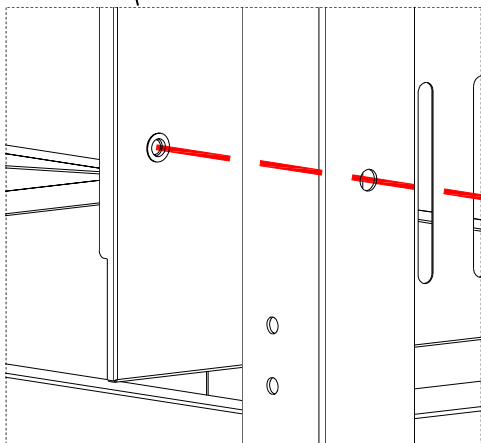
Step 3: Assembly of the Cart Left Side Panel:

Locate: Locate the Cart Left Side Panel and (4) M6x15 Bolts and the Assembled Grill

Procedure: Refer to Fig. 3 and slide the Panel into position on the Left Side of the Grill, inside the Legs. Fasten to the Legs using (4) M6x15 bolts. Do not fully tighten bolts.

Note: The Bent Sides (Flanges) must face inward! **The large hole for the gas hose should be positioned closer to the Grill Cabinet assembly.**

Bent Side



Assembly

Step 4

Fig. 4A

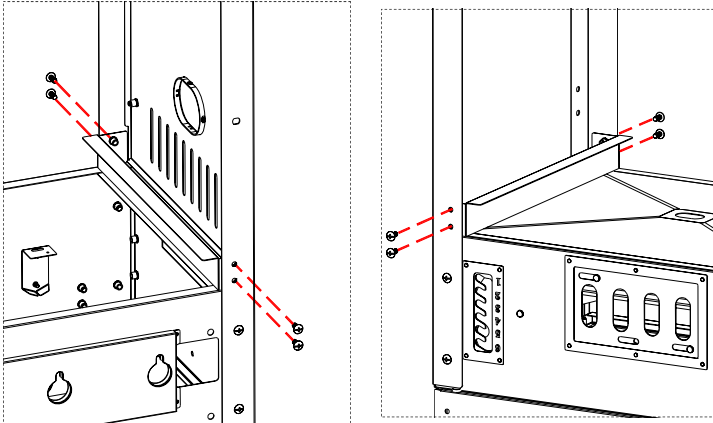


Fig. 4B

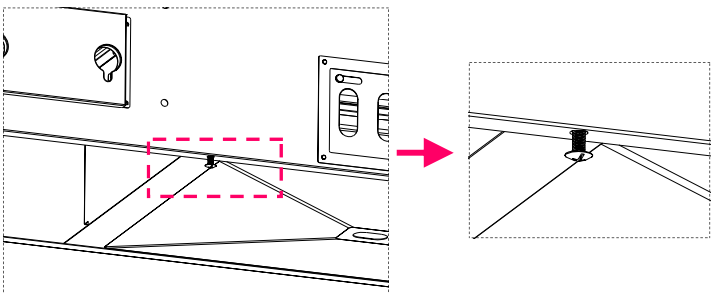


Fig. 4C

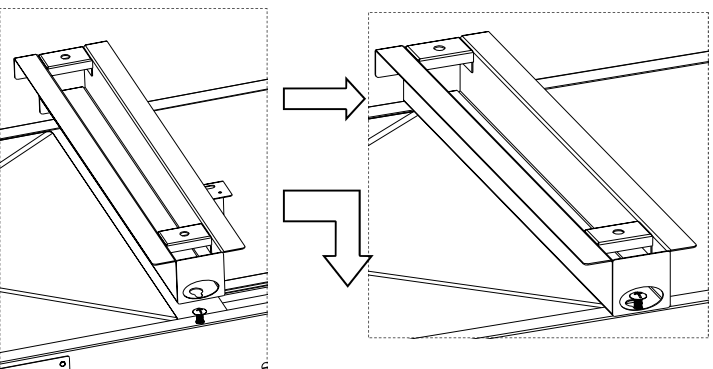
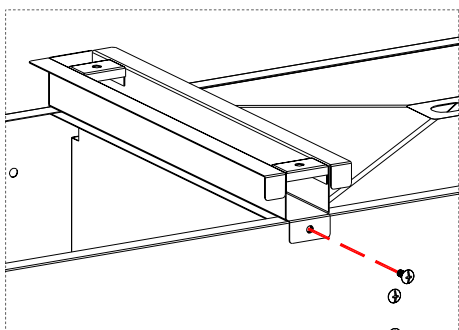


Fig. 4D



Step 4: Assemble the Side Drip Tray Guides

Locate: (2) Side Drip Tray Guides, (1) Center Drip Tray Guide and (10) M6x15 bolts.

Procedure: Place a side Drip Tray Guide inside the Left Side Legs, as shown in Fig. 4A and fasten with (4) M6x15 bolts. Place a Side Drip Tray Guide inside the Right Side Legs, and fasten with (4) M6x15 bolts. From in front of the Grill, find the threaded hole on the underside of the Cabinet and partially insert an M6x15 bolt as shown in Fig. 4B. Position the Center Drip Tray Guide so that the “keyhole” fits over the partially installed bolt – refer to Fig. 4C. Then gently push the Guide towards the back of the Grill Cabinet so that the Tab of the Guide, fits over the threaded hole in the lower back side of the Cabinet and fasten with an M6x15 bolt as shown in Fig. 4D. Now, tighten the M6x15 bolt that is partially installed at the front of this Center Guide.

Assembly

Step 5

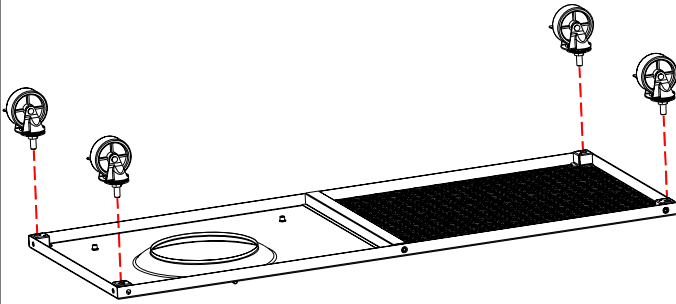


Fig.5

Step 5: Caster Wheels Assembly

Locate: Bottom Shelf and (4) Locking Caster Wheels

Procedure: Refer to Fig. 5, and screw a Caster Wheel into each of the (4) corners of the bottom of the Bottom Shelf. Then, using the wrench, tighten the nut holding the Caster wheel securely.

Step 6

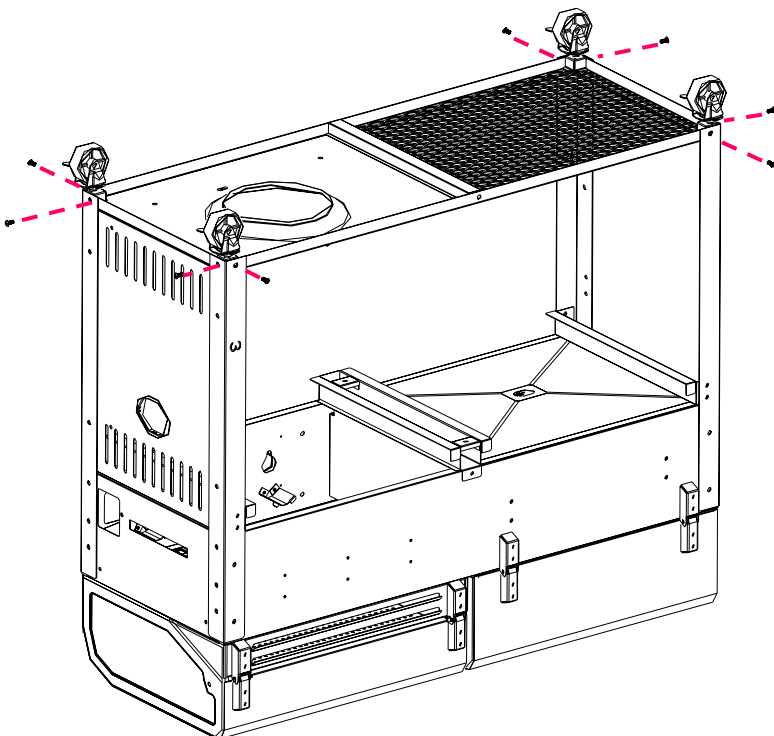


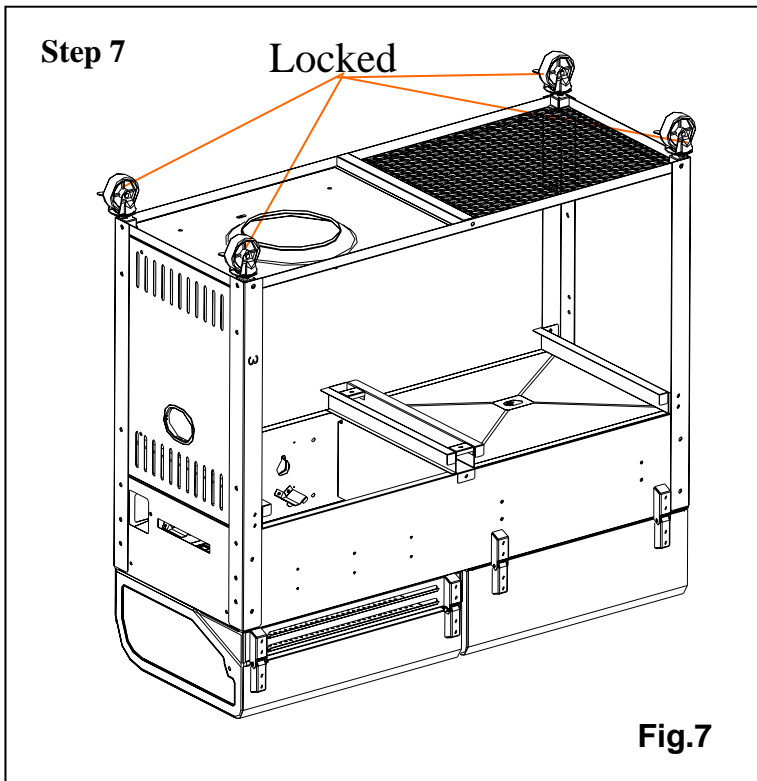
Fig.6

Step 6: Bottom Shelf Assembly

Locate: Cabinet Assembly with Legs and Bottom Shelf Assembly with Caster Wheels and (8) M6x15 bolts.

Procedure: Refer to Fig. 6 and with the Cabinet Assembly STILL upside down, attach the Bottom Shelf assembly using (2) M6x15 bolts at each Leg.

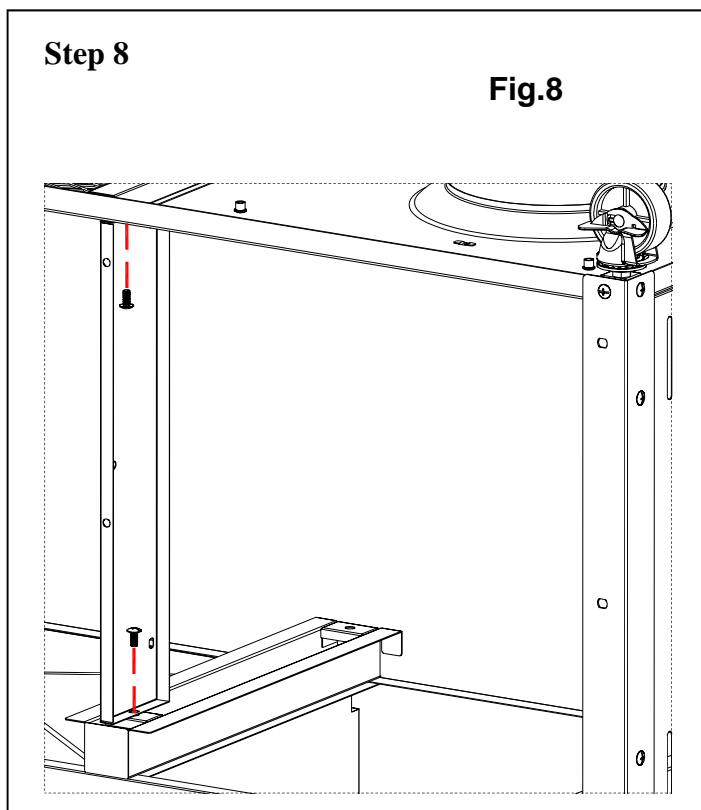
Assembly



Step 7: Locking the Caster Wheels

Locate: The Assembly you have just prepared

Procedure: Refer to Fig. 7. Each Caster Wheel has a tab on its side. Push down on each tab and check that the wheel cannot turn. This is a convenience procedure, so that when you turn the Grill Assembly right side up, it will not move or roll away.



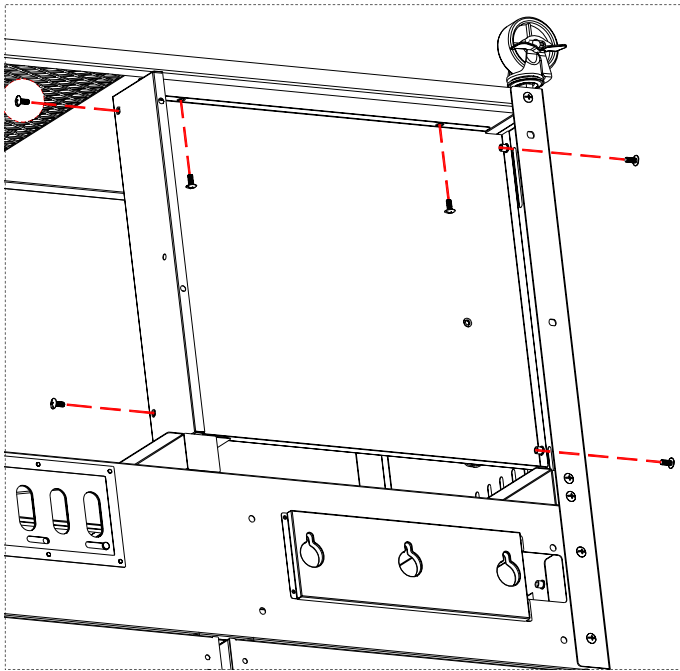
Step 8: Assemble the Front Vertical Support

Locate: Front Vertical Support and (2) M6x15 bolts.

Procedure: Attach the top of the Front Vertical Support to the front underside of the Center Drip Tray Guide. Then attach the bottom of the Support to the top of the Bottom Shelf, using the two M6x15 bolts as shown in Fig. 8. Make sure the (2) holes in the Vertical Support are facing the Grill front.

Step 9

Fig. 9



Step 9: Attach the Cart Front Panel

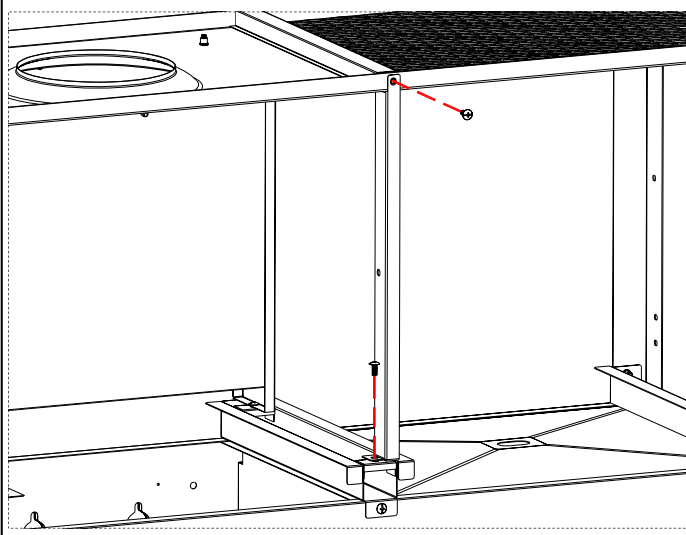
Locate: Cart Front Panel, Assembled: Cart Left Side Panel, Front Vertical Support and Bottom Shelf and (6) M6x15 bolts

Procedure: Refer to Fig. 9. Attach the Cart Front Panel to the (2) threaded holes in the Bottom Shelf with (2)M6x15bolts. **PLEASE Note:** When in place, the back of the Cart Front Panel will be inside and away from the front edge of the Bottom Shelf with the bent edges (flanges) facing toward the front of the Grill. This is to form the space for the Condiment Racks!

Next attach the Cart Front Panel to the (2) threaded holes in both the Cart Left Side Panel and the Front Vertical Support, using (2)M6x15 bolts for each part.

Step 10

Fig. 10



Step 10: Attach the Back Vertical Support

Locate: Back Vertical Support and (2) M6x15 bolts

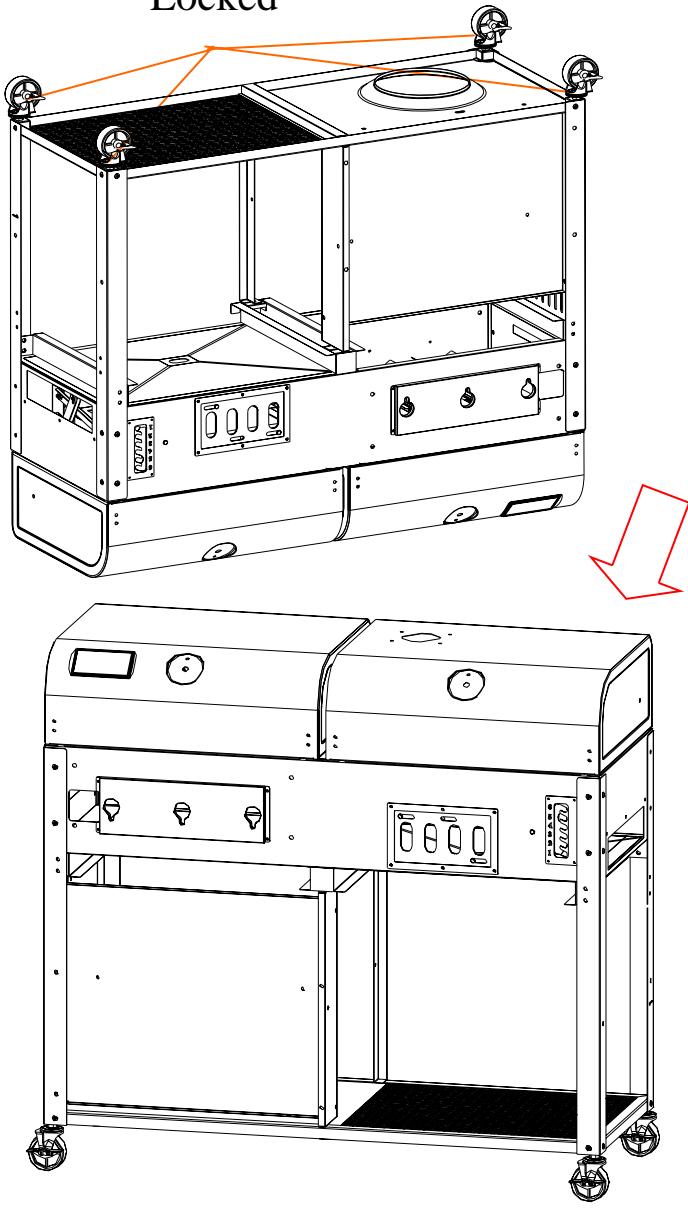
Procedure: Attach the Back Vertical Support to the back underside of the Center Drip Tray Guide and the back flange of the Bottom Shelf as shown in Fig. 10.

Assembly

Step 11

Fig.11

Locked

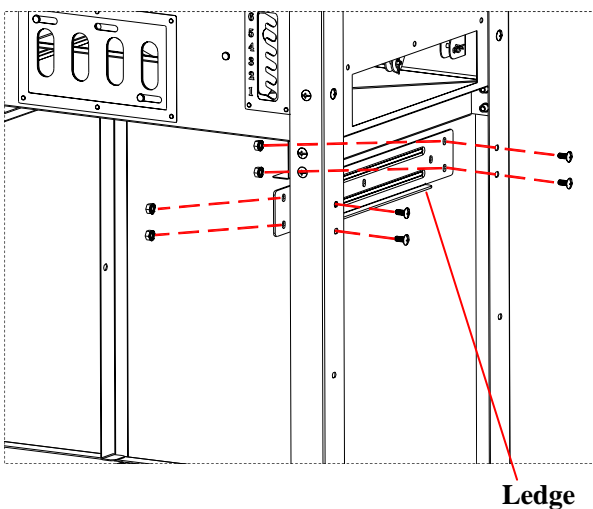


Step 11: Turn the Grill to be Upright.

Now, with the help of at least one other person, turn the Grill Assembly right side up. It should look like the Fig. 11.

Step 12

Fig.12



Step 12: Assemble the Firebox Support Brace

Locate: Firebox Support Brace, (4) M6x15 Bolts and (4) M6 KEPS nuts.

Procedure: Place the Firebox Support Brace inside and between the Right Side Legs, so that the ledge of the Brace is at the bottom and facing out as shown in Fig. 12.

Insert M6x15 bolts through the Legs and then through the Brace as shown. Screw on the M6 KEPS nuts and tighten securely.

Assembly

Step 13

Fig.13A

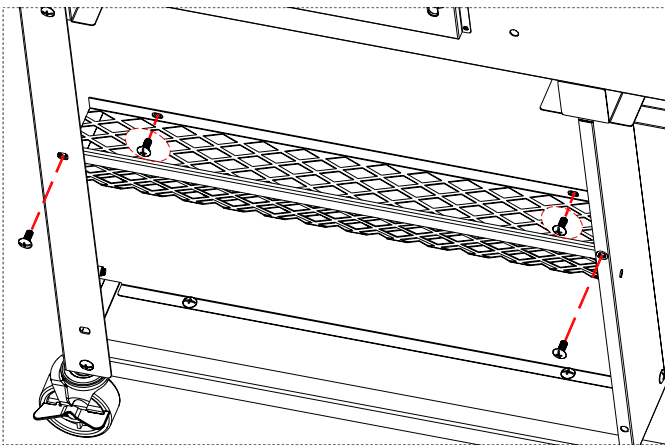
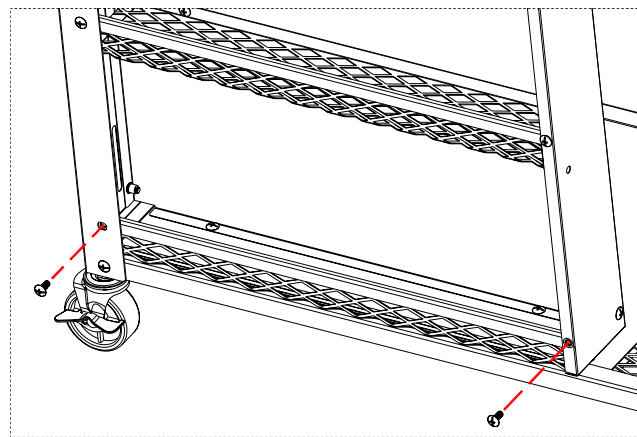


Fig.13B



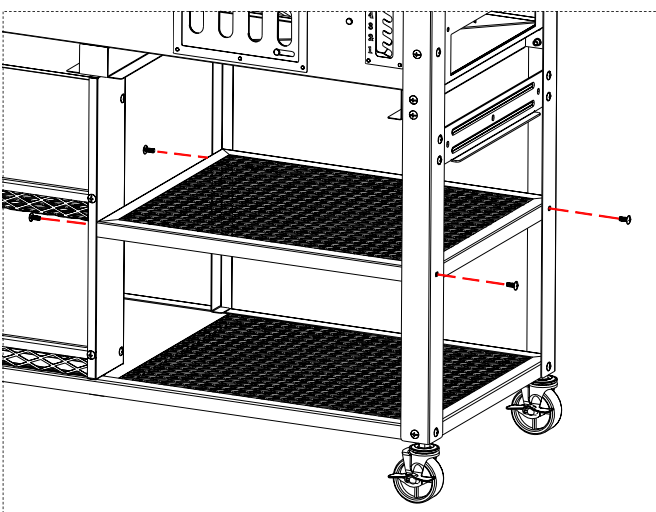
Step 13. Attach the Condiment Racks

Locate: Middle Condiment Rack, Lower Condiment Front Mesh and (6) M6x15 bolts.

Procedure: Attach Middle Condiment Rack to the Left Front Leg, Front Vertical Support and the Cart Front Panel with (4) M6x15 bolts. Then attach the Lower Condiment Front Mesh to the Left Front leg and to the Front Vertical Support using (2) M6x15 bolts as shown in Fig. 13A and Fig. 13B

Step 14

Fig.14



Step 14: Attach the Middle Mesh Shelf

Locate: Middle Mesh Shelf and (4) M6x15 bolts

Procedure: Attach the Middle Mesh Shelf to both Right Legs and to both Vertical Supports using (4) M6x15 bolts as shown in Fig. 14.

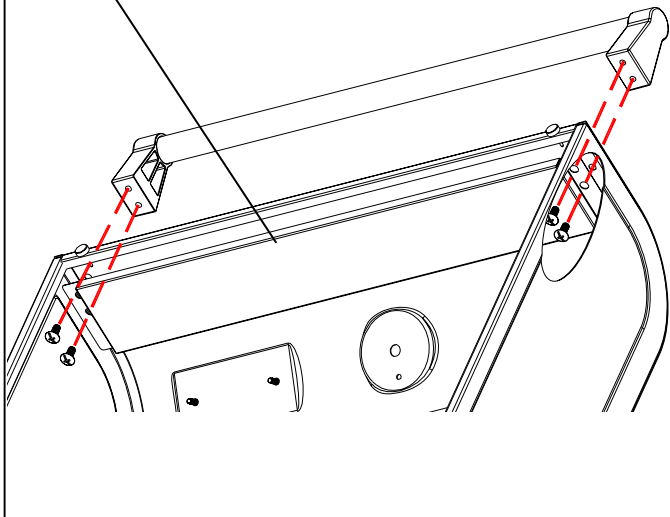
Fully tighten all bolts at this time.

Assembly

Step 15

Fig.15

Gas Lid Heat Shield



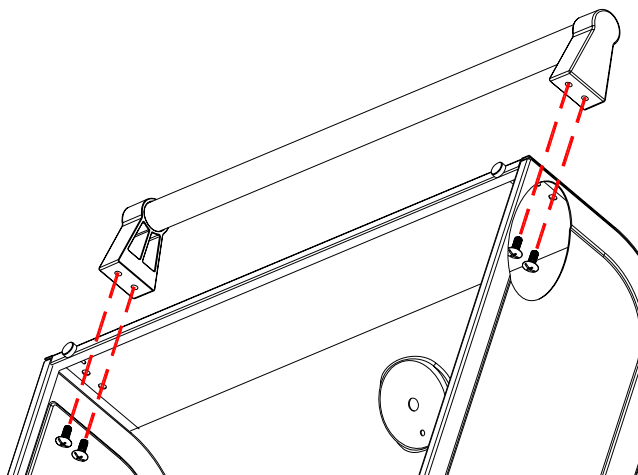
Step 15: Assemble Handle to the Gas Lid

Locate: Gas Lid, (2) Handle Stand-offs, (1) Long Handle Tube, (4) M6x15 bolts and (1) Gas Lid Heat Shield

Procedure: Refer to Fig. 15. Open the Gas Grill Lid and fit the Heat Shield in place inside the lid over the (4) holes for attaching the Handle. Place (2) M6x15 bolts through the Heat Shield and then the Lid holes on one side of the Lid. Fit a Handle Stand-off over the bolts and attach the Stand-off to the Lid. Fit the long Handle Tube into both Stand-offs and then repeat the procedure of inserting the screws through the Heat Shield, the Lid and into the other Stand-off. Tighten all (4) bolts securely.

Step 16

Fig.16



Step 16: Assemble Handle to Charcoal Lid

Locate: Charcoal Lid, (2) Handle Stand-offs, (1) Long Handle Tube and (4) M6x15 bolts

Procedure: Refer to Fig. 16. Open the Charcoal Grill Lid. Place (2) M6x15 bolts through the Lid holes on one side of the Lid. Fit a Handle Stand-off over the bolts and attach the Stand-off to the Lid. Fit the long Handle Tube into both Stand-offs and then repeat the procedure of inserting the screws through the Lid and into the other Stand-off. Tighten all (4) bolts securely.

Assembly

Step 17

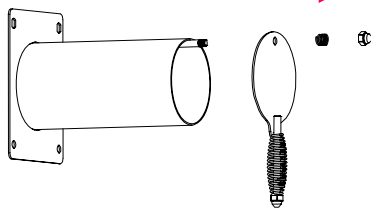


Fig.17 A

Fig.17 B

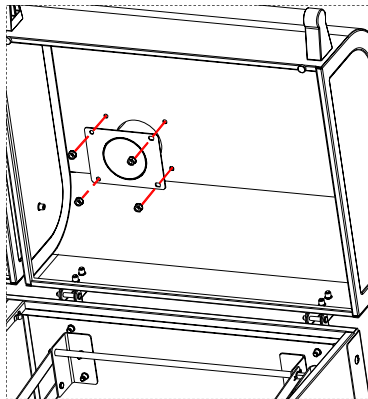


Fig.17 C

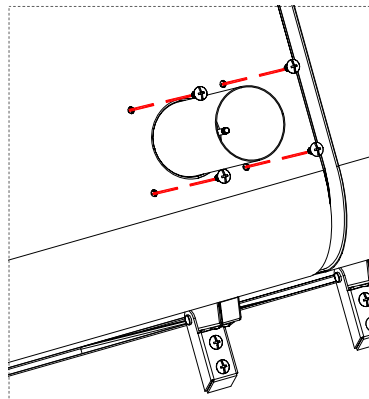


Fig.17 D

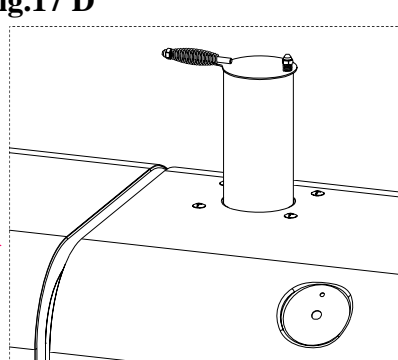
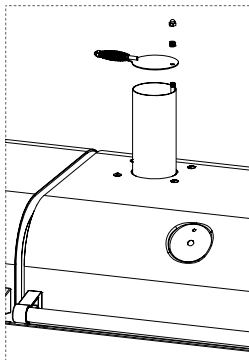


Fig.17 E

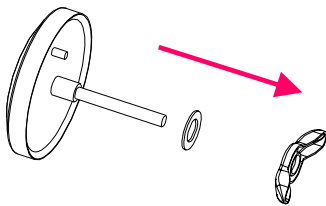
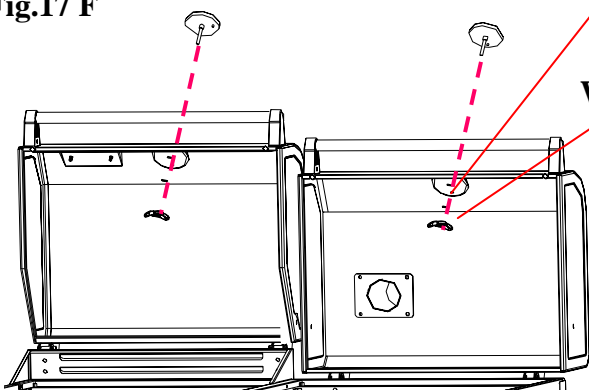


Fig.17 F

Washer

Wing Nut



[Step 17: Attach the Smoke Stack](#)

Locate: Charcoal Lid Assembly, (1) Smoke Stack Assembly, (4) M6x15 bolts and (4) M6 KEPS nuts, and (2) Heat Indicators

Procedure: Refer to Fig. 17A and unscrew the dome nut, and remove it and the small spring which attaches the Cap to the Smoke Stack.

Insert the Smoke Stack Assembly through the Lid from the inside as Shown in Fig.17B .Note: the Smoke Stack Cap attaching screw must be located towards the right hand side of the Lid as shown in Fig.17C. Attach the Smoke Stack Assembly to the Lid with (4) M6x15 bolts inserted through the Lid from the **OUTSIDE**. Fasten the Smoke Stack Assembly to the Lid with (4) KEPS nuts securely **INSIDE** the Lid as shown in Fig.17B.

Replace the Smoke Stack Cap as shown in Fig.17D and the position of the handle as shown in Fig. 17D.

Unscrew the wing nut and washer from each of the Heat Indicators as shown in Fig.17E.

Place (1) Heat Indicator into the area in the center of EACH Grill Lid and fasten in place with the washer and wing nut as shown in Fig.17F.

Assembly

Step 18

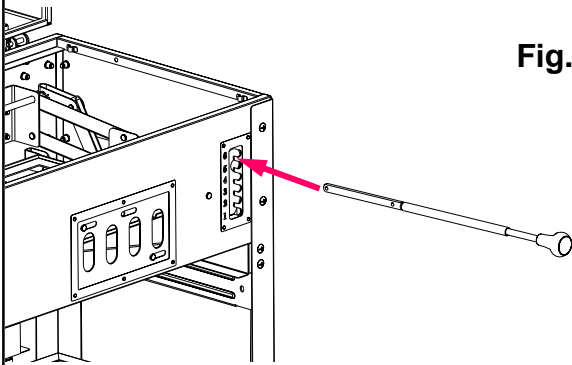


Fig. 18 A

Inside Cabinet

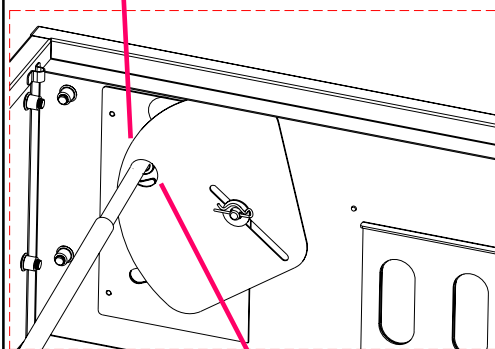


Fig. 18 B

Hole

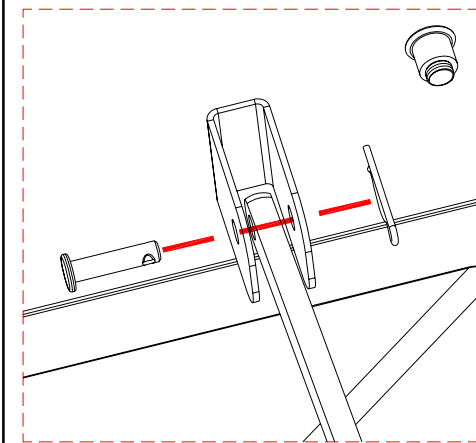


Fig. 18 C

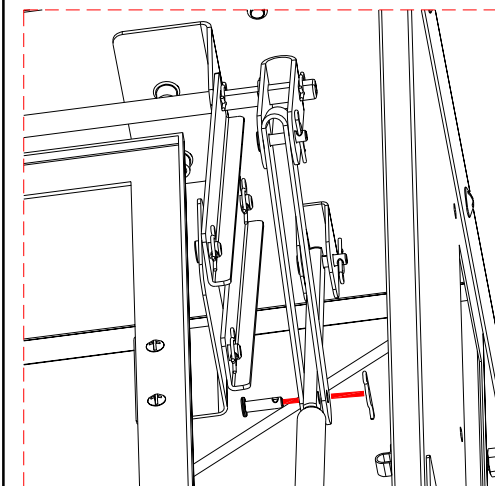


Fig. 18 D

Step 18: Installing the Charcoal Tray Lifting System

Locate: Charcoal Tray Lift System Lift Handle, (2) Hinge Pins and (2) "R" Clips

Procedure: Refer to Figs. 18A and 18B and Slide the Lift Handle through the adjusting slot and through the hole of the inside plate. Align the hole in the end of the Lift Handle with the holes in the "U" shaped bracket located at the back of the Cabinet. Join the Lift Handle and the "U" shaped Bracket by inserting a Hinge pin as shown in Fig. 18C.

Then insert an "R" Clip through the hole in the Hinge Pin. Attach the Lift Handle to the Lift System by inserting a Hinge Pin through the "U" shaped Lift Arm and the hole in the center of the Lift Handle as shown in Fig. 18D.

Then insert an "R" clip through the hole in the Hinge Pin. You should now be able to adjust the Charcoal Tray Lifting System to your desired height by moving the Lift Handle to the left and then raising or lowering it.

Assembly

Step 19

Fig.19 A

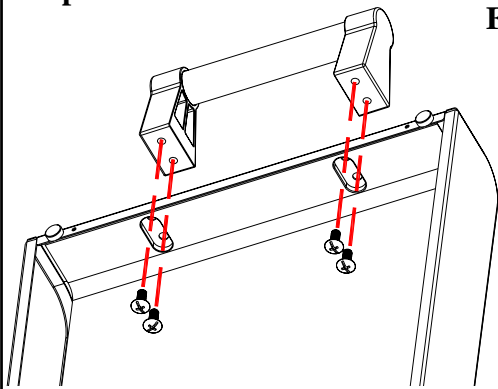
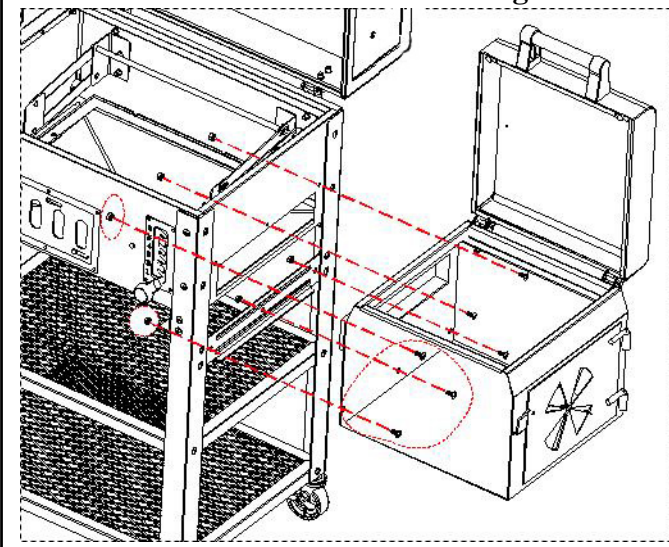


Fig.19 B



Step 19: Attach the Handle to the Firebox Lid and the Firebox to the Grill Assembly

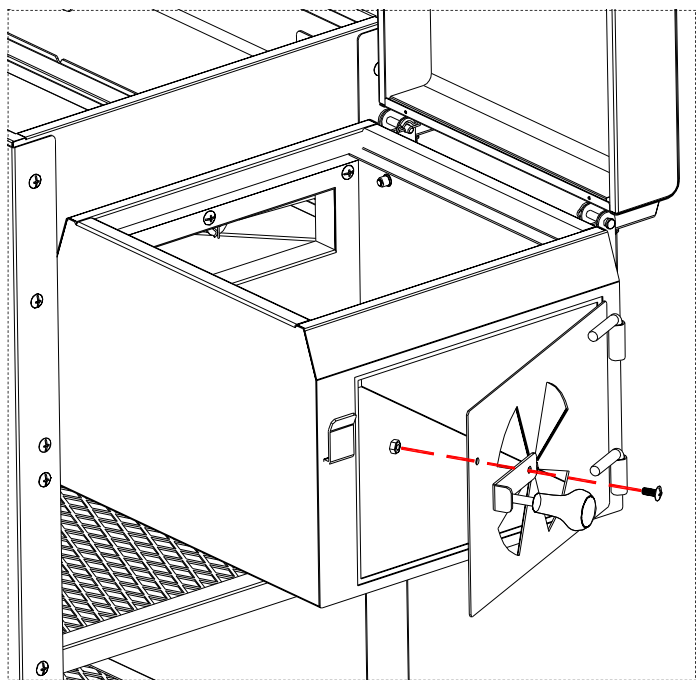
Locate: Firebox and Lid Assembly, (2) Handle Stand-offs, (1) Short Handle Tube, (10) M6x15 bolts, and (6) KEPS nuts

Procedure: Refer to Fig. 19A. Open the Firebox Lid and place (2) M6x15 bolts through the Lid holes on one side of the Lid. Fit a Handle Stand-off over the bolts and attach the Stand-off to the Lid. Fit the Short Handle Tube into both Stand-offs and then repeat the procedure of inserting the screws through the Lid and into the other Stand-off. Tighten all (4) bolts securely.

Refer to Fig. 19B and Align the Firebox Assembly with the rectangular opening in the right side of the Grill Cabinet, so that it is resting on the ledge of the Firebox Support Bracket. Insert (3) M6x15 bolts through the Firebox and the Cabinet Wall. Attach (3) M6 KEPS nuts to each of the bolts. Insert (3) M6 x15 bolts through the Firebox and the Firebox Support Bracket and attach (3) KEPS nuts to the bolts. Make certain that all bolts are securely tightened.

Step 20

Fig.20



Step: 20 Attach the Firebox Door Handle

Locate: Firebox and Lid Assembly, Firebox Door Handle, (1) M6x15 bolt and (1) Metal lock nut

Procedure: Refer to Fig. 20 and Place the Firebox Door Handle on the outside of the Firebox Door and insert an M6x15 bolt through the Door Handle and the Door as shown. Attach an M6 metal lock nut. Tighten with wrench or pliers until the Handle can still move freely.

Assembly

Step 21

Fig. 21

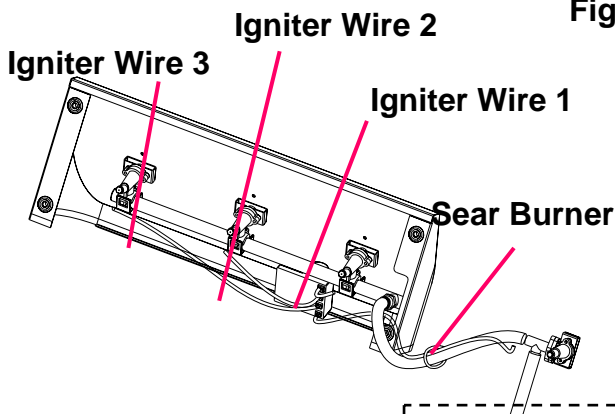


Fig. 21 B

Sear Burner

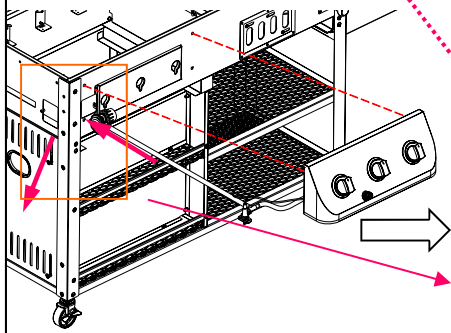
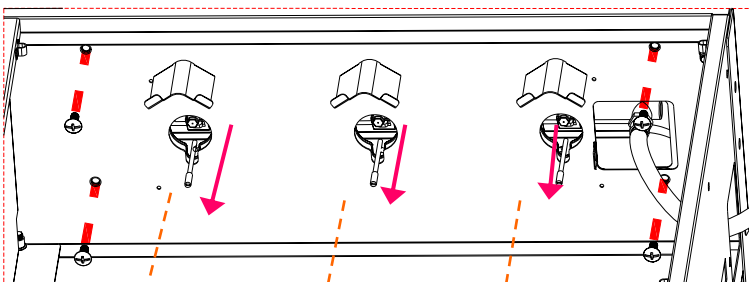
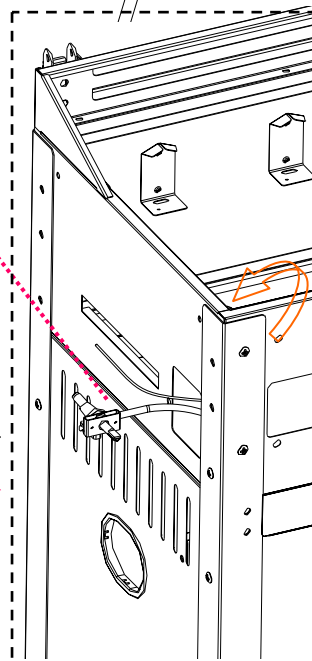


Fig. 21 C



Burner 3 Burner 2 Burner 1

Step 21: Installing the Control Panel Assembly

Locate: Fig. 21A shows the inside of the Control Panel Assembly (CP has (3) gas valves mounted on a manifold connected to the Hose, Sear Burner Valve and Regulator assembly (HVR). There is an Electronic Ignition assembly attached, which has (4) igniter wires, of different lengths, to attach to each burner tube and the Sear Burner and (4) M6x15 bolts.

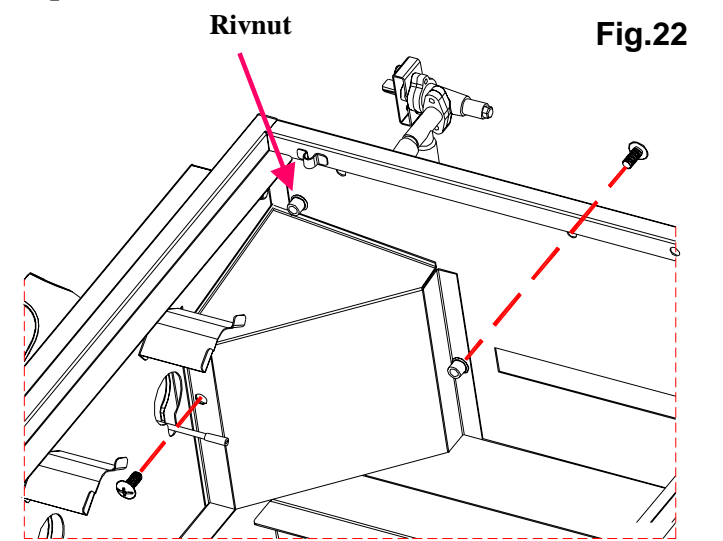
Procedure: Refer to Fig. 21B and carefully thread the HVR with the Sear Burner igniter wire through the opening in the front face of the Grill, make a turn to the left and bring it out through the opening in the left side of the Grill. Allow it to hang free, as we will later make the connection to the Sear Burner.

Refer to Fig. 21C, and note that at each opening for the valve and burner connection, there is a small keyhole slot. The Igniter Wires are numbered 1 to 3, starting with # 1 as the Left Burner. Carefully push each of the ignition wires through the holes to dangle inside, resting in the keyhole slot. The shortest wire is # 1 and the longest is for # 3. We will attach these wires to each burner tube when we install the burners. Check to be certain that no wires have become disconnected from the Igniter Housing.

Position the Control Panel in place against the Front Panel and fasten it with (4) M6x15 bolts from inside the Grill – see Fig. 21C.

Assembly

Step 22



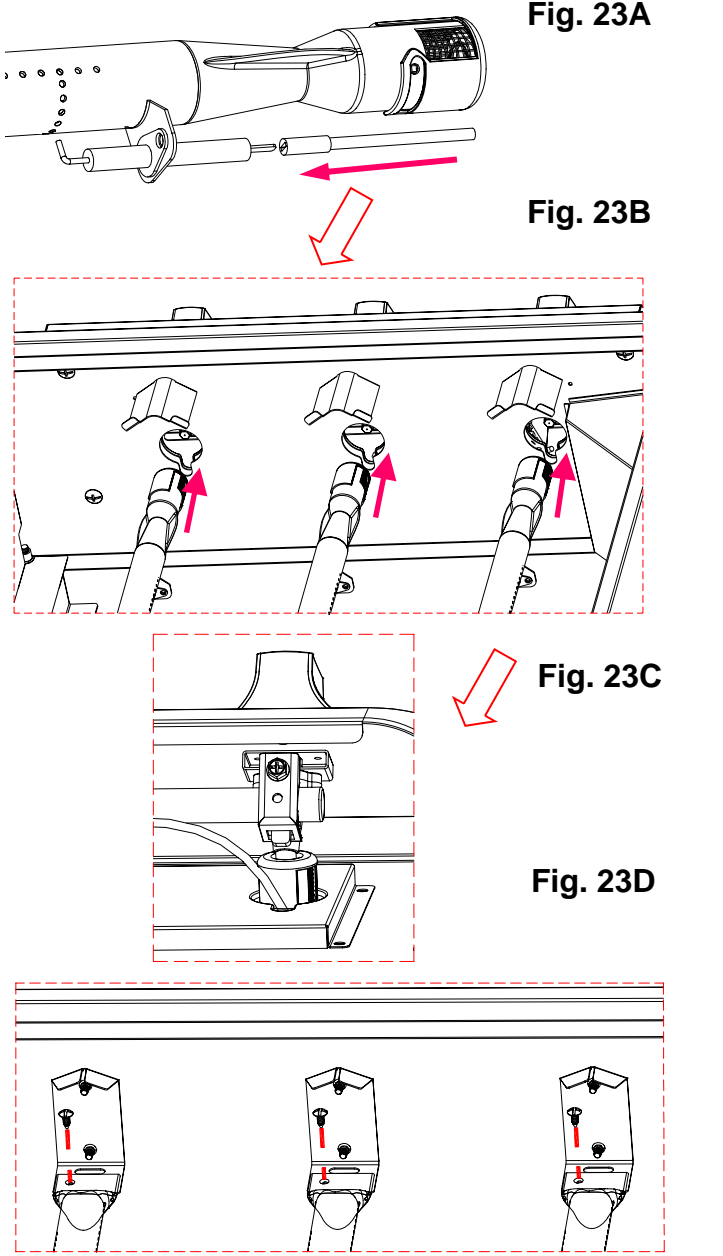
Step 22: Attaching the HVR Cover

Locate: HVR Cover and (2) M6x15 bolts

Procedure: Refer to Fig. 22 and set the HVR Cover in the front corner of the Gas Grill Cabinet, so that it covers the actual HVR where it enters and exits the Cabinet. Fasten in place with (2) M6x15 bolts.

Be sure top of cover is positioned under the Rivnut as shown.

Step 23



Step 23: Attaching the Burner Tubes to the Grill

Locate: (3) Burner Tubes with Igniter electrodes attached and (3) ST 4.0x10 Screws.

Procedure: Attached to each Burner Tube is an Ignition Electrode with a pin at the end of the Electrode. You need to attach each of the (3) ignition wires that you had pushed through the openings onto the pin end of the Electrode per Fig. 23A.

Refer to Fig. 23B and Fig 23C. Tilt the burner tube slightly and insert through the opening in the front wall of the cabinet. You **MUST** make certain that the tip of the valve is completely **INSIDE** the end opening of the Burner Tube.

After each Burner Tube is set in place at the front of the Cabinet, you must fasten the Burner Tube to the Burner Support Brackets at the back of the cabinet with an ST 4.0x10 screw per Fig. 23D.

Assembly

Step 24

Fig. 24 A

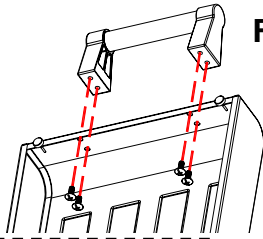


Fig. 24 B

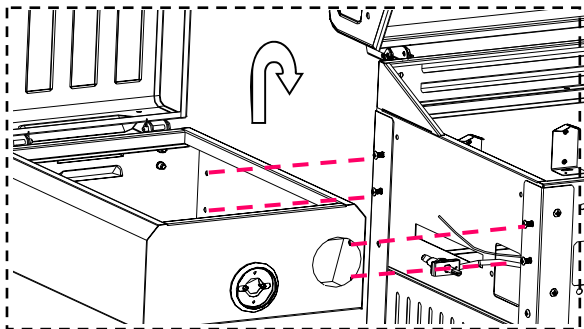
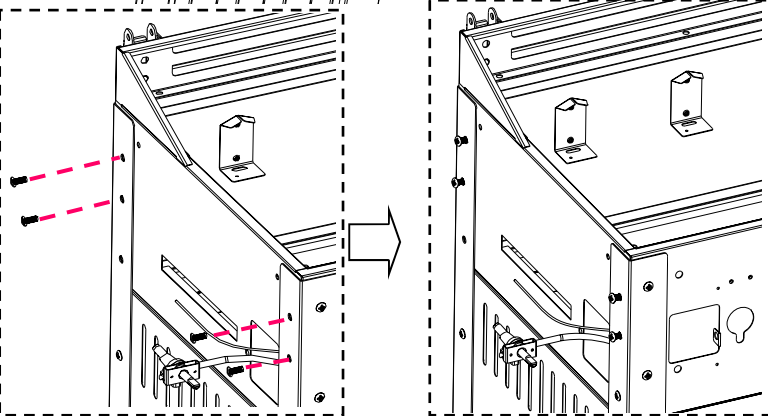


Fig. 24 C

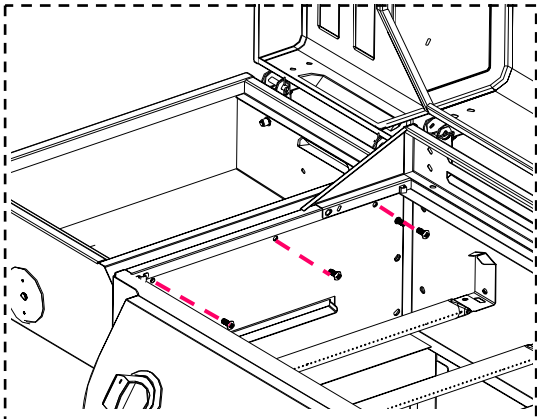


Fig. 24 E

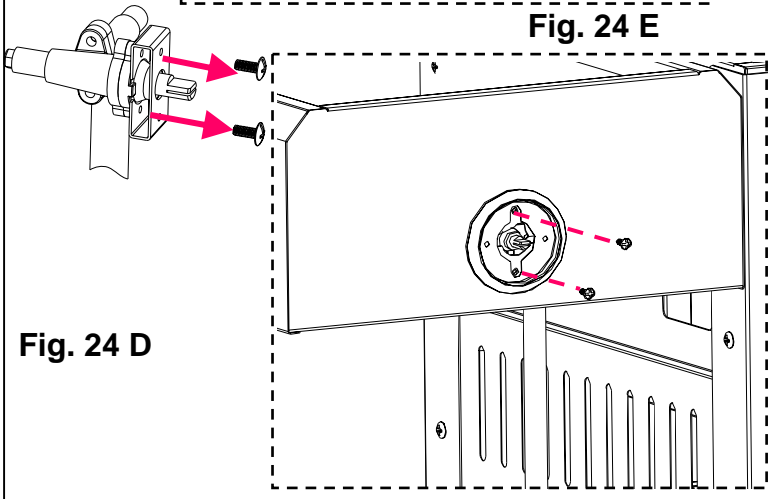


Fig. 24 D

Step 24: Sear Burner Assembly

Locate: Sear Burner Housing and Lid, Sear Burner, Gas Valve Control Knob, (1) M6x15 bolts and (2) ST4.0x10 screws, (2) Handle Stand-offs, (1) short Handle Tube.

Procedure: Refer to Fig.24A - Open the Sear Burner Lid and place (2) M6x15 bolts through the Lid holes on one side of the Lid. Fit a Handle Stand-off over the bolts and attach the Stand-off to the Lid. Fit the Short Handle Tube into both Stand-offs and then repeat the procedure of inserting the screws through the Lid and into the other Stand-off. Tighten all (4) bolts securely.

Refer to Fig. 24B – Insert the (4) bolts (2 in each Leg) and leave them about ¼” out. Now “hang” the Sear Burner Housing onto these (4) bolts and push down to seat it, then tighten the bolts securely. Note: (2) bolts need to be tightened from the underside of the Housing.

Refer to Fig. 24C – and add (3) additional M6x15 bolts from INSIDE the Cabinet to secure the Sear Burner.

Refer to Fig. 24D – Pick up the HVR and hold the Gas Valve in your hand and UNSCREW the (2) M4x5 bolts.

Refer to Fig. 24E – Position the valve in place between the front panel of the Sear Burner and the inner wall. Align the threaded holes in the valve with the holes in the Sear Burner Housing and attach the valve using the (2) M4x5 bolts that were removed earlier.

Assembly

Step 24 Continued.

Fig. 24 F

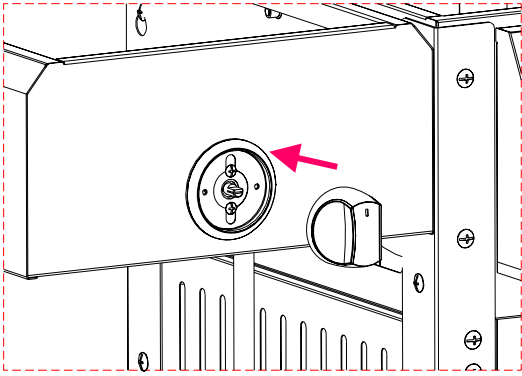


Fig . 24G 1

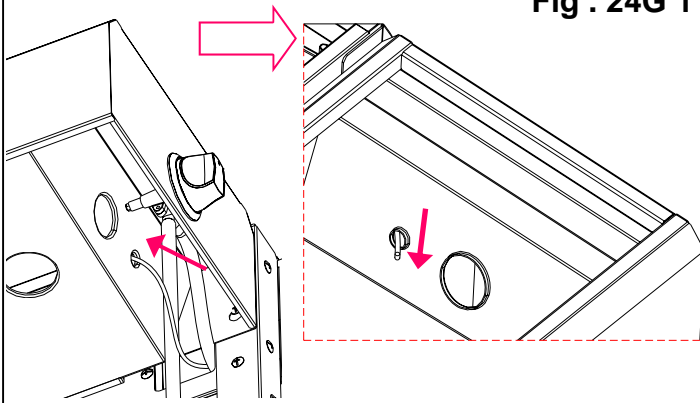


Fig . 24G 2

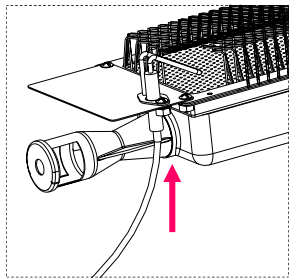


Fig. 24G 3

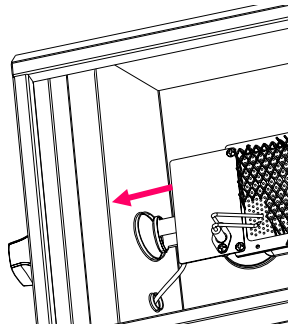


Fig. 24 H

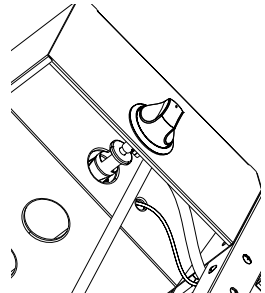
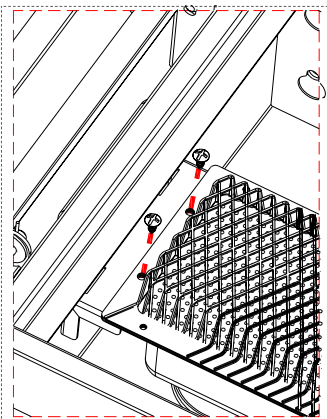


Fig. 24 I



[Step24:SearBurner Assembly \(Continued\)](#)

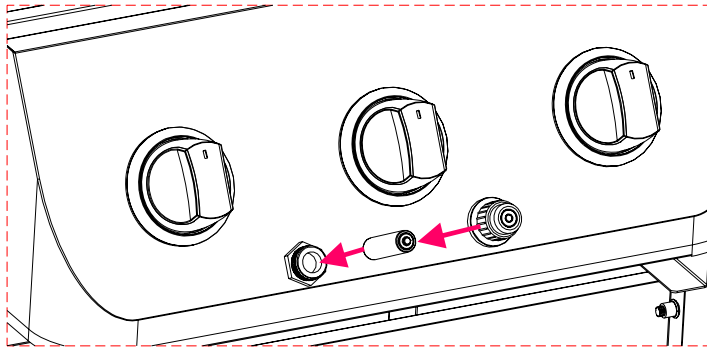
Refer to Fig. 24F – Place the Sear Burner Gas Control Knob over the valve stem, making certain to align the flat portion of the stem with the flat portion in the Knob and push the Control Knob onto the stem until it is firmly seated.

Refer to Fig. 24G – Locate the Sear Burner and lift up the igniter wire that you moved over to here from the Control Panel. On the bottom of the Burner you will see a pin connection to the electrode. Push the igniter wire onto the pin. Now carefully so you do not pull the wire off, tilt the burner open tube end down and slide through the opening in the housing and ONTO and OVER the nozzle end of the gas valve. Looking from the underside of the housing, make certain that the valve tip is INSIDE the burner tube as Fig. 24H.

Refer to Fig. 24I – Fasten the Burner to the bracket at the back wall of the housing using (2) ST4.0x10 screws

Step 25

Fig. 25



Step 25: Installing the Igniter Battery

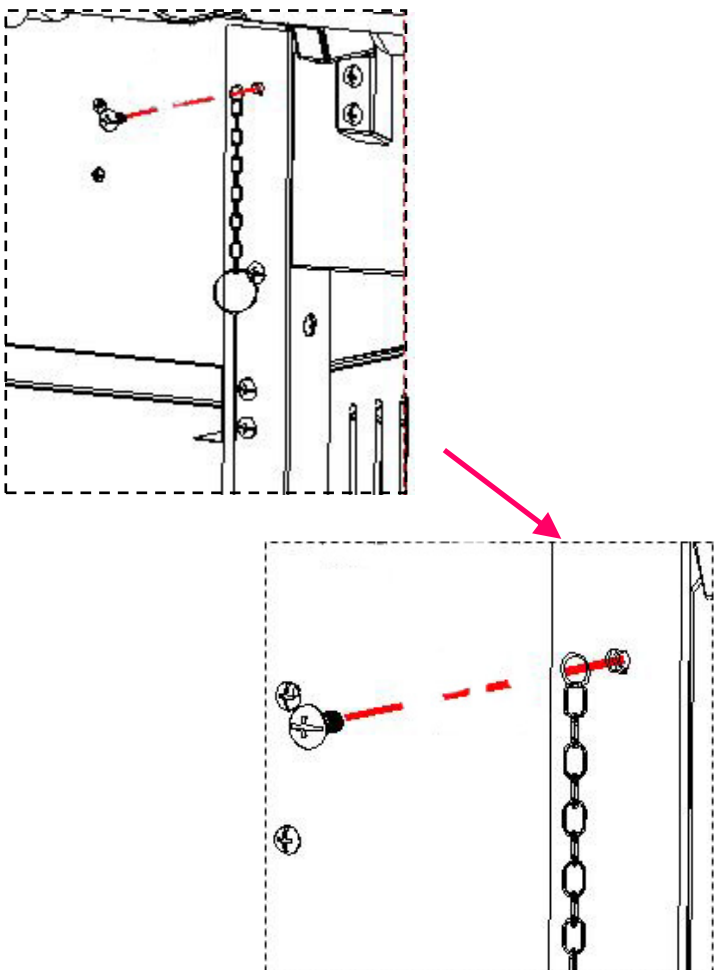
Locate: The AA battery can be found on the Hardware Blister Card

Procedure: Refer to Fig. 25 – unscrew the black cap from the Electronic Igniter. Insert the AA battery with the + end facing out. Screw the black cap back onto the Igniter. When you press the soft black button on the cap, you should see small sparks jumping from the electrodes onto all the Burner Tubes and the Sear Burner. The Igniter will light ALL the burners when you open the gas control valves and press it.

Note: Make sure when you screw the black cap onto the electronic igniter, you do not cross thread the cap. Make sure you tighten the cap all the way up against the control panel.

Step 26

Fig. 26



Step 26: Match Holder and Chain

Locate: Match Holder and Chain and (1) M6x15 bolt

Procedure:

Attach Match Holder and Chain to the top rear hole in the left rear leg by inserting the (1) M6x15 bolt through the loop of the chain and securely tightening, see Fig. 26.

Assembly

Step 27

Fig. 27 A

Gas Drip Tray

Charcoal Drip Tray

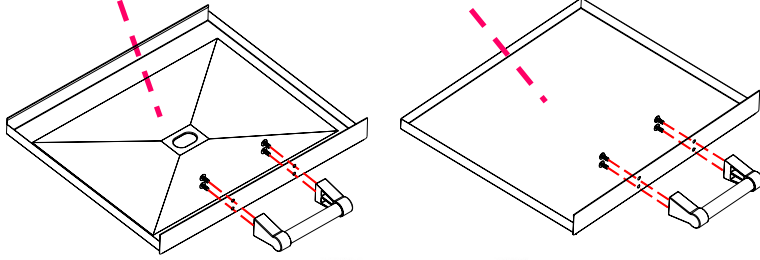
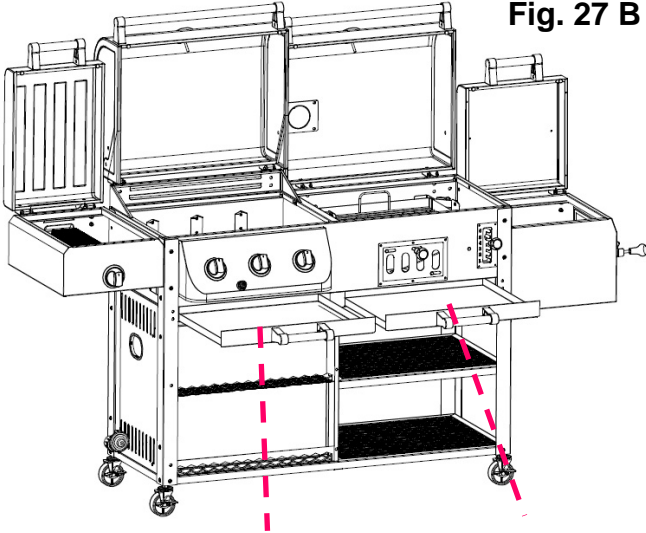


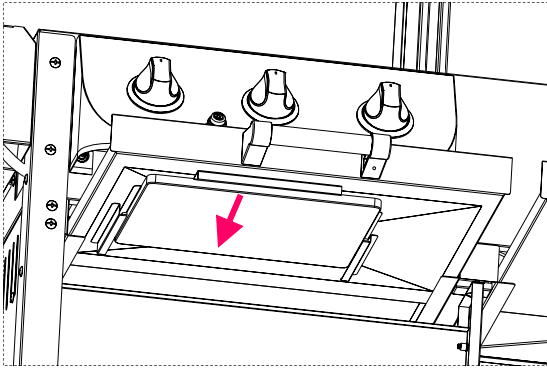
Fig. 27 B



Gas Drip Tray

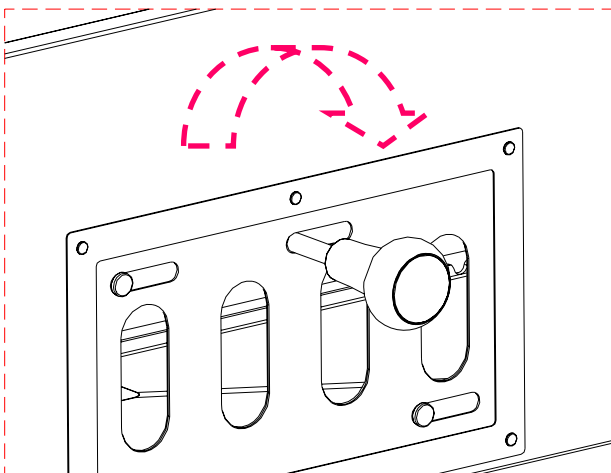
Charcoal Drip Tray

Fig. 27 C



Step 28

Fig. 28



Step 27: Attach handles to Drip Trays

Locate: (1) Gas Side Drip tray and (1) Charcoal Side Drip Tray, (4) Handle Stand-offs, (8) M6x15 bolts, (2) short handle tubes, (1) removable Grease Cup

Procedure: Refer to Fig. 27A - Place (2) M6x15 bolts through the holes on one side of the Trays. Fit a Handle Stand-off over the bolts and attach the Stand-off to the Drawer. Fit the Short Handle Tube into both Stand-offs and then repeat the procedure of inserting the screws through the Trays and into the other Stand-off. Tighten all (4) bolts securely.

Refer to Fig. 27B Note: The Gas Side Drip Tray has a removable Grease Cup attached to the underside. This tray **MUST** be used only on the Gas Side of the grill.

Refer to Fig. 27C – The removable Grease Cup slides into the bottom of the Gas Side Drip Tray, from the front.

Note: Grease Drip Trays and Grease Cup Should be emptied and cleaned after each use to prevent flare – ups and /or grease fires.

Step 28: Attach Handle to Damper

Locate : Damper Knob Handle

Procedure: Refer to Fig. 28 – screw the Damper Handle Knob onto the Damper Slide.

Assembly

Step 29

Fig. 29 A

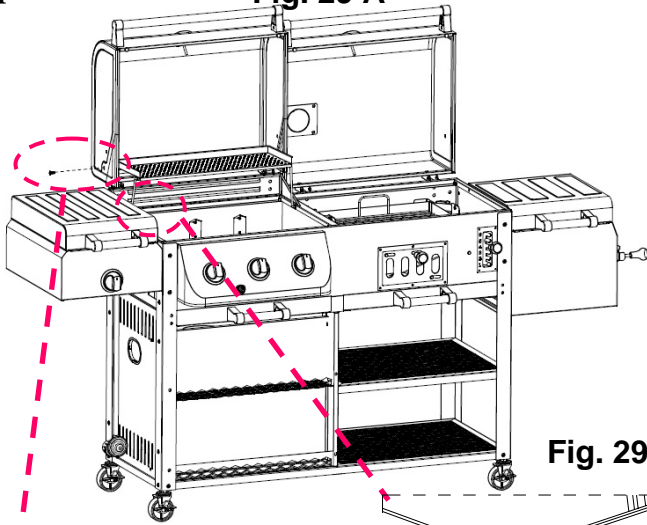


Fig. 29 C

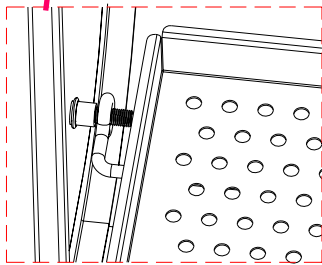
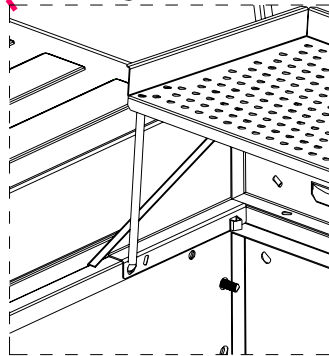


Fig. 29 B



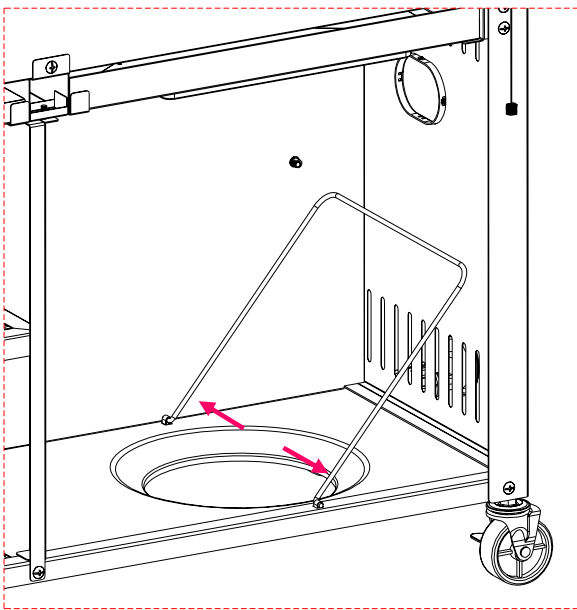
Step 29: Install Warming Rack

Locate: Warming Rack, and (2) M6x30 bolts

Procedure: The Warming Rack is attached to the Gas Grill. Screw (1) M6x30 bolt through the Lid from the outside as shown in Fig. 29A and Fig 29B and position the Warming Rack so that the bolt is going through the wire loop. Then align the wire loop on the opposite end of the Warming Rack with the opposite Lid hole and insert the other M6x30 bolt. Insert the wire legs into the holes of the Cabinet as shown in Fig. 29C

Step 30

Fig. 30



Step 30: Attach the LP Cylinder Wire Retainer

Locate: Attach the LP Cylinder Wire Retainer

Procedure: refer to Fig. 30 – Squeeze the Wire Retainer ends inward and then allow them to snap back open inside the (2) retaining brackets on the Bottom Shelf.

Assembly

Step 31:

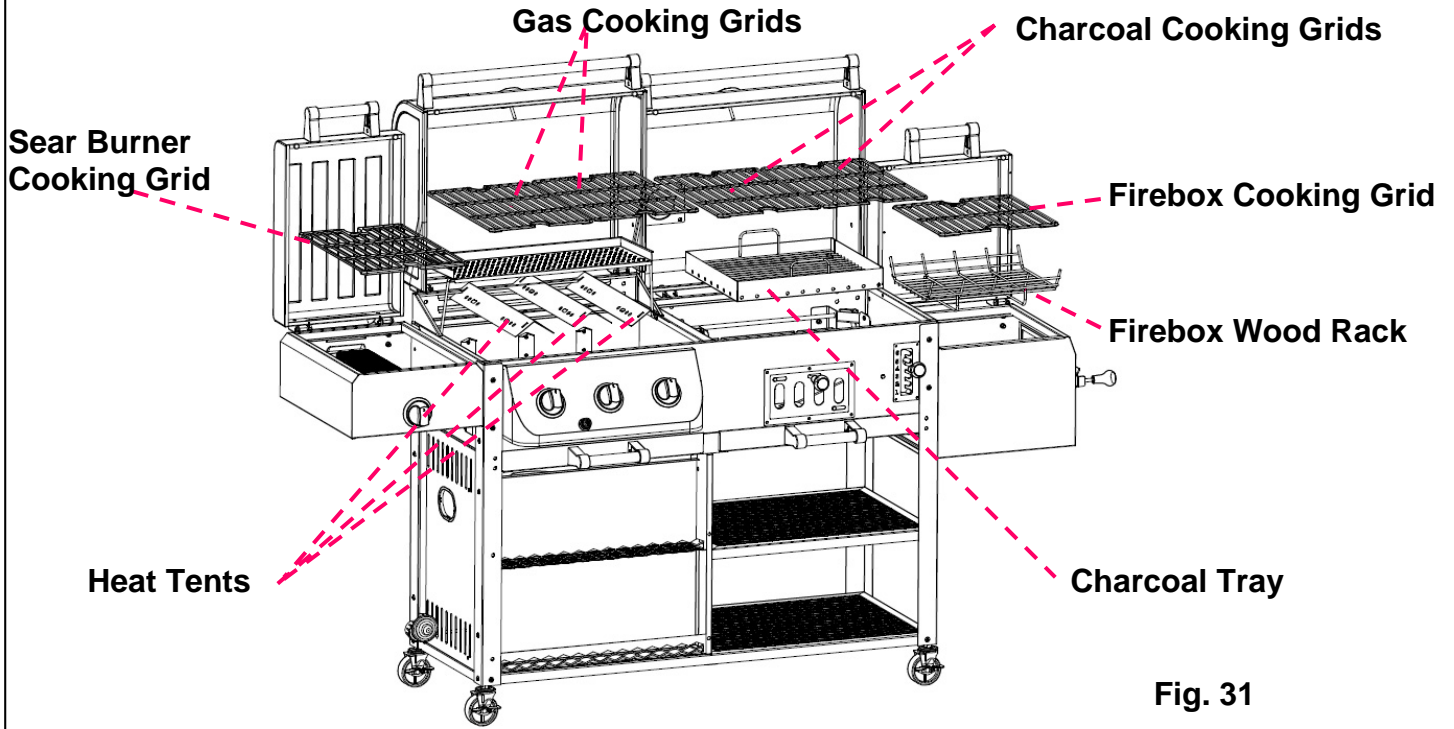


Fig. 31

Step 31: Final Preparation

Locate : (2) Gas Cooking Grids (gloss finish) , (2) Charcoal Cooking Grids (matte finish), (1) Sear Burner and Firebox Cooking Grid, (1) Firebox Wood Rack, (1) Charcoal Tray, and (3) Heat Tents

Procedure: Refer to Fig.31 and place all the respective components into their position in the Grill.

Completed Grill



Assembly of your grill & smoker is now complete.

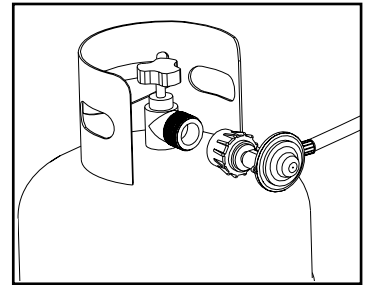
To order a cover for your grill, please visit: www.thesmokercompany.com

FOR YOUR SAFETY, FOLLOW ALL SAFEGUARDS AND INSTRUCTIONS.

OPERATING INSTRUCTIONS

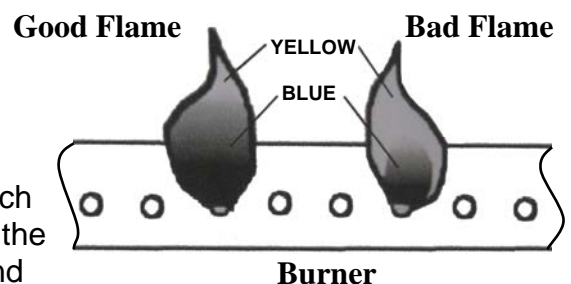
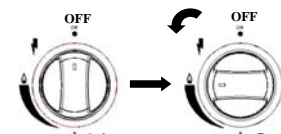
Connecting the LP gas cylinder to the grill

- The LP Gas Cylinder must be a 20 pound cylinder and have a Type 1 Cylinder Valve Outlet Connector.
- Handle the Cylinder with care - do not drop it.
- When you are not using the grill, the LP Gas Cylinder should be disconnected.
- Connect the regulator and hand tighten firmly.
- Do a leak test each time you connect a LP Gas Cylinder and before lighting the grill.
- Never use a match or lit flame to test for leaks.
- To test, prepare a weak solution of detergent and water. Spray or swab the solution onto the connection of the regulator to the LP Gas Cylinder valve, and on all the joints in the hose connections up to the burner valves (which MUST be closed in the "OFF" position).
- Open the LP Gas Cylinder valve, and watch for any bubbles to appear at all the connection points. No bubbles indicate - All Clear!
- If there are any bubbles, there is a leak which must be fixed.
- Never obstruct the flow of combustion and ventilation air.



Lighting the grill

- Always open the Lid before lighting the grill.
- All burner knobs should be in the "OFF" position.
- Slowly Open the LP Gas Cylinder valve, 1-1 1/2 turns
- Push the gas knobs in fully, and slowly turn counter-clockwise (to the left) to the "LIGHT" position.
- Then press and hold the black button of the igniter, there will be clicking and sparking until the burner is lit.
- You can then adjust the knob to your desired setting.
- If the burner did not light, turn the knob back to the "OFF" position, wait 5 minutes for any gas to clear away, and then repeat the lighting procedure.
- For Sear Burner, turn the knob counter-clockwise (to the left) and then PUSH the Black Igniter Button to light the burner. If the burner does not light, then turn the knob to the "OFF" position, wait 5 minutes and then try again.
- After using the grill, turn all burner knobs to the "HIGH" position and then push fully in and turn to the "OFF" position.
- At once turn the valve on the LP Gas Cylinder OFF.
- IF the igniter does NOT light the burner, you can light it with a match or a piece of burning paper - hold the match or paper with the Match Holder attached at the back of the grill, put it through the openings in the Cooking Grid and next to the Flame Tent covering the burner. Then follow the lighting procedure above.
- Observe the proper burner flame - it should be a blue/yellow color about 1/2" long.



Sear Burner Operation

- ALWAYS be sure to OPEN the Lid before lighting the Sear Burner and leave open during use. Leave Sear Burner open until it is completely cool.
- Preheat the Burner for 5 minutes
- Sear one side of the food, turn the food over and sear the other side. Then continue cooking each side of the food on the standard burners until done to your satisfaction

OPERATING INSTRUCTIONS

CARE AND CLEANING

! WARNING !

- Do not do any cleaning or maintenance on any grill parts until all parts are cool! Be sure that the valve on the LP Gas Cylinder is closed and in the OFF position
- After every cooking session, you may run the gas grill on HIGH, or set the Charcoal Coals into the HIGH position to burn off any food residue, keeping the residue from building up.

CLEANING

- Use only mild dishwashing detergents, hot water, a nylon scrub pad and a BBQ wire brush cleaning tool
- Always rinse all surfaces thoroughly after cleaning
- Handle Porcelain coated surfaces gently and carefully- they are made from high temperature glass and can chip easily
- **Note: Grease Drip Trays and Grease Cup should be emptied and cleaned after each use to prevent flare – ups and /or grease fires.**

Burners

1. Turn the gas OFF at the LP Gas Cylinder and the burner control knobs
2. Lift off the cooking grids and the heat tents covering the burners
3. Remove the screw attaching the burners at the back of the grill
4. Gently and carefully, tilt the back of the Burner up and slide it backwards off the valve orifice, then lift out of the grill
5. Wipe clean the orifice face

TROUBLE SHOOTING THE GAS GRILL

Burner does not light :

1. Check if LP Gas Cylinder is empty?
2. Check Igniter wire – is there a spark?
3. Check for spider webs or insect nests inside, clogging the Burner

Flame color is Yellow, should be Blue:

1. Check for spider webs or insect nests inside, clogging the Burner
2. Close Lid and run on HIGH to burn off residue on Burner

Flame flares up:

1. Cooking temperature is set too high
2. Food being cooked is too fatty
3. Grease has accumulated in the grill. Clean and burn off

OPERATING INSTRUCTIONS

! IMPORTANT ! CURING PROCESS

LP GAS GRILL

Step 1: Lightly coat ALL INTERIOR surfaces (including interior of lids, cooking grids and area below the cooking surface) with vegetable oil or vegetable oil spray.

Step 2: Ignite the LP gas grill side and burn at medium temperature for one hour.

Step 3: Let the grill cool completely and it is ready for use.

CHARCOAL GRILL & FIREBOX

Step 1: Lightly coat ALL INTERIOR surfaces (including interior of lids, cooking grids and area below the cooking surface) with vegetable oil or vegetable oil spray.

Step 2: Start a charcoal fire using 1-2 lbs of briquette or lump charcoal. Keeping the lids open until the flames have burned down.

Step 3: After flames have burned down close lids and all dampers and maintain fire at 300 to 400 degrees Fahrenheit for one hour.

Step 4: Let the fire burn out and grill cool completely before use.

CHARCOAL GRILL OPERATING INSTRUCTION

The charcoal offset Fire Box Grill & Smoker can be used to cook food either by:

CHARCOAL AND DIRECT HEAT –OR- SMOKE AND INDIRECT HEAT

Please read all steps before cooking.

TO COOK USING CHARCOAL AND DIRECT HEAT

(The fire is in the Charcoal Cooking Chamber and the food is in the Charcoal Cooking Chamber.) Follow these steps for cooking with charcoal and direct heat in the Charcoal Cooking Chamber.

1. For best results use a metal charcoal starter and fill the starter with about 2 lbs of charcoal and light the charcoal.
2. After 30 minutes, dump the charcoal onto the Charcoal Tray on the grate, which should be at the lowest adjustment.
3. Adjust the Fire Box, Smoker Chamber dampers, and the Smoke Stack Cap to 1/4 to 1/3 open.
4. Immediately and carefully place another 2 lbs of charcoal on top of the burning coals in the Smoker Chamber.
5. Once the temperature reaches your desired level, food can be placed on the cooking grates.



The adjustable Charcoal Tray in the Smoker Chamber allows the Charcoal Tray to be moved to within a few inches of the cooking grate allowing you to sear your meat and lock in the juices. Searing takes only a few minutes on each side. Don't allow the meat or food to burn. After searing, crank the Charcoal Tray back to the bottom and cook the food to your personal preference.



For smaller cookouts, the Fire Box can be used instead of the larger Smoker Chamber for cooking with charcoal and direct heat. Follow the same steps above for cooking in the main Smoker Chamber.

FOR YOUR SAFETY, FOLLOW ALL SAFEGUARDS AND INSTRUCTIONS.

OPERATING INSTRUCTIONS

TO COOK USING SMOKE AND INDIRECT HEAT



(The fire is in the Fire Box and the food is cooked or smoked in the Smoker/Cooking Chamber. The smoke and the indirect heat pass through the opening between the Fire Box and Smoker/Cooking Chamber. Follow the steps below for smoking and/or cooking . Note that the indirect cooking or smoking process will take longer than traditional barbecuing. At 225 to 250 degrees, it will take approximately 30 minutes per pound of meat.)

1. Fully open Smoke Stack and damper on Firebox Door.
2. Place 2 pounds of charcoal on Firebox charcoal grate. Light charcoal and allow it to burn until coals are glowing. Add your desired flavoring, Wood (hickory, mesquite, pecan, apple, alder, etc.) to the charcoal.
3. For indirect cooking, we recommend 225-250°F. For smoking, the desired temperature may be lower.
The heat and smoke can be regulated by adding more charcoal/wood and by opening or closing the damper / smoke stack .
4. Once the desired temperature is achieved, place the food in the cooking chamber. Continue to monitor the temperature as the food smokes/cooks. For the best heat and smoke flow, open the smoke stack and close the Fire Box damper. Keep the charcoal damper on the front of the grill closed when smoking/indirect cooking. At 225 to 250 degrees, it will take approximately 30 minutes per pound to cook the food. Time will vary depending on the temperature at which food is smoked/cooked. The level of desired doneness will also affect the cooking time.
5. For best results, try to maintain a constant temperature inside the cooking chamber by adding charcoal wood as necessary and adjusting the damper openings. Check the internal food temperature periodically by inserting a meat thermometer into the Food. Use caution when checking the food temperature to avoid injury.
6. Once the food has reached the desired temperature, remove from cooking chamber and let stand 30 minutes. The USDA Standard temperature chart for properly cooked meat can be found at the back of this manual.
7. We recommend using wood chunks or logs that are not larger than 10" long and 2" diameter. The wood is for flavoring only not for heat output. Do not overload the rack with wood. You can add wood periodically when it burns low.

Rules for smoking:

We recommend that most smoking be done at 225 to 250 degrees. We also recommend the use of an oven thermometer to verify the inside temperature of your smoker and a meat thermometer to check the temperature of the meat. The heat indicator will give you an indication of the temperature inside the smoker but it is best to use an oven thermometer to ensure that the temperature is correct. A good rule of thumb for smoking is to cook the meat for 30 to 45 minutes per pound. As the weight of the meat increases so will the amount of time needed. For instance, 2 or 3 pounds of meat might take 30 minutes per pound or while 7 or 8 pound will require closer to 45 minutes per pound. Refer to the temperature chart in the Assembly Manual to make sure that the meat is at an acceptable temperature.

Types of wood to use for smoke:

1. What type of hardwood should you use?
Always use a hardwood that has been seasoned for at least 6 months.
2. Can I use Oak pallets?
NO, because pallet wood is dried out before it is used for making pallets. You need the natural moisture in wood to create flavor in your smoke.
3. Can I use Pine, Cedar or any other wood that smells good?
NO, never use any resin woods.

What are the main items I need to smoke meats?

1. Internal meat thermometer .
An internal meat thermometer is a must to cook large pieces of meat to make sure it is done internally.
Cooked Ham-140 degrees
Ham, Beef-Med, Ground Beef- 160 degrees
Veal, Lamb, Pork, Beef-Well done – 170 degrees
Poultry- 180 degrees
2. Good tongs or meat hook.
Use a heavy-duty set of tongs to rotate meat in the smoker because in some cases you may be smoking a very large cut of meat. I prefer a meat hook for ease of use and it does not knock any rub or sauce off of the meat.
3. Good oven mitts.
Heavy-duty mitts will assist you in moving hot smoker racks and large pieces of meats and assist in adding water and wood chips.
4. Aluminum foil.
When the outside color of your meat product is at your desired color or look to suit your taste, wrap meat product in aluminum foil to keep any more wood resins from turning your meat any darker.

Operation: Smoking food

Classic Recipes:

Pork

Smoked Pork Tenderloin

Take outside wrapper off of meat and wash thoroughly in cold water. Place tenderloin on a paper towel to soak up excess water. Rub your favorite pork rub on the loin (we recommend Head Country Pork seasoning). Preheat smokers to 225 degrees and place loin in the center of the smoker. Cook until internal meat temperature reaches 165 degrees. Take out of smoker and let stand on the cutting platter until meat reaches 170 degrees serving temperature. Slice like bread in 1/4" pieces and it will melt in your mouth.

Pork Ribs- Baby Backs or Spare Ribs

Take ribs out of wrapper and drain all liquid off of the ribs and then wash in cold water. Place on cutting board and cut away any excess fat or skin from the bottom of ribs. Turn ribs with bone side up and peel the membrane from the back of the bone until all is gone. Rub your favorite pork rub on both sides of the ribs (we recommend Head Country Pork seasoning). Preheat smoker until it reaches 225 degrees and place rib bone side down in smoker. After one hour, turn the rib over with bone side up and cook for one hour. After 2 1/2 hours, depending on the color of the rib you like, pour a one-inch wide strip of your favorite BBQ sauce down the length of the rib and wrap tightly in aluminum foil. Place back in smoker and check every 15 to 20 minutes to see if the rib bones separate by using your finger to pull them apart. If they pull apart with ease your ribs are done. Take out of smoker and let stand on serving platter until cool enough to eat. Total cooking time should not be more than 3 1/2 hours total.

Beef

Smoked Beef Brisket

Select a 6 to 8 lb. packer trimmed brisket that has a little marbling to it but not too much. Feel free to trim as much fat as desired. Use your favorite beef rub (we recommend using Head Country All-Purpose rub) and rub it on liberally. Heat the smoker to 225 degrees and place the brisket in the smoker for 3 hours. Place brisket in an aluminum foil pan and pour approximately 8oz. of Allegro over the brisket. Cover the pan tightly with aluminum foil and continue cooking until internal meat temperature reaches 165 to 170 degrees. Take pan out of the smoker and let brisket stand. Remove brisket from pan and cut 1/4" slices against the grain. Use juice from pan to pour over sliced meat or for dipping.

Prime Rib

Select a 6 to 8 lb prime rib (we like the bone on). Rub the prime rib with your favorite beef rub (we recommend using Head Country All-Purpose rub). Pre-heat the smoker to 225 degrees and place the prime rib in the smoker. After 3 hours, place the prime rib in aluminum foil pan and cover with aluminum foil. When internal meat temperature reaches 145 degrees take out of smoker and let stand until your desired doneness is reached. Medium rare is 155 to 160 degrees. While standing, the temperature of the meat will rise internally up to 10 degrees. Slice prime rib to desired thickness and serve with juice from the pan in which it was cooked.

Operation: Smoking food

Classic Recipes: (Continued)

Fish

Smoked Halibut

Select a nice fresh 3/4" thick filet. Wash filet thoroughly in cold water and lay on paper towel until water is not visible. Melt a whole stick of butter in the microwave and sprinkle a liberal amount of Dill weed in the melted butter. Lay filets on Aluminum foil and fold a lip around edges to contain the butter. With a basting brush, brush melted butter and dill weed mixture on both sides of the fish filet. Preheat smoker to 225 degrees and place fish in the smoker. Check the filets every 15 minutes for visible moist look on filets. Brush with butter and dill weed mix when needed. Fish should start to flake in about 45 minutes. When fish flakes very easy take out of smoker and serve.

Poultry

Smoked Chicken

Chicken breasts and thighs are my favorite. Take chicken parts out of package and wash thoroughly and place on paper towel to dry. Sprinkle Head Country Original rub on both sides of chicken parts. Preheat smoker to 225 degrees and place chicken parts in smoker. After 1/2 hour turn chicken over. With your internal temperature gauge, check internal temperature by pushing temperature probe into the meat nearest the bone. When temperature reaches 180 degrees chicken is done. You may brush your favorite BBQ sauce on the chicken during the last 15 minutes of your cooking process to spice it up.

Smoked Turkey

Select a 12 to 15 lb. turkey for best results in a smoker. Take the turkey out of the package and remove all internal parts and packaging. Wash turkey thoroughly and place it on paper towel to dry. Rub olive oil inside and out on the turkey and apply Head Country Original Rub inside body cavity and on the outside skin. Preheat smoker to 225 degrees and place turkey in smoker. You may baste with butter for more moisture, if you like. When turkey skin reaches your desired color, remove turkey from smoker, place in aluminum foil pan and cover with aluminum foil tightly. Place covered pan in smoker and continue cooking at 225 degrees. Check internal meat temperature, where the thigh meets the side of the turkey, every half hour for doneness. Turkey should take around 45 minutes per lb to reach 180 degrees serving temperature.

Operation: Cooking

Temperature Chart

Refer to this USDA Standard chart for properly cooked meat temperature.

IMPORTANT: Measure the meat temperature using a meat probe thermometer. The heat indicator on the smoker gives the heat temperature inside the smoker cabinet, but is not an accurate measurement of the meat temperature.

Temperature on Meat Thermometer

Beef Roasts, Beef Brisket	3-4 lbs.	4-5 hours	140° rare
Lamb Roasts, Venison	5-7 lbs.	5-6 hours	160° medium
Large cuts of Game	7-9 lbs.	7-10 hours	170° well done
Pork Roasts	3-4 lbs. 5-8 lbs.	5-6 hours 7-8 hours	170° 170°
Pork/Beef Ribs	Full grill	4-6 hours	Meat pulls from bone
Pork Chops	Full grill	4-6 hours	Meat pulls from bone
Sausage Links	Full grill	4-5 hours	170° for fresh sausage
Ham, Fresh	10 lbs.	7-8 hours	170°
Ham, Cooked	All sizes	3-4 hours	130°
Chicken (Cut up or split)	1-4 fryers, cut up or split	4-5 hours	180°/leg moves easily in joint
Chicken (Whole)	1-4 fryers	5-6 hours	180°/leg moves easily in joint
Turkey (Unstuffed)	8-12 lbs.	7-8 hours	180°/leg moves easily in joint
Fish, small whole	Full grill	2-3 hours	Flakes with fork
Fish, filets, steak	Full grill	1-3 hours	Flakes with fork
Duck	3-5 lbs.	5-6 hours	180°/leg moves easily in joint
Small game birds	Full grill	4-5 hours	180°/leg moves easily in joint

Limited Warranty



This Smoke Hollow ® Grill is guaranteed against broken or damaged parts at time of purchase. All parts carry a 1-year limited warranty. Paint is guaranteed to be free of defects for 90 days except for rust, which may appear after repeated use.

This warranty does not cover damage or issues related to neglect, abuse, or modifications to the product. Repair labor is not covered.

All parts that meet the warranty requirements will be shipped at no-charge via the discretion of the Customer Service Department (ground shipments, US Mail, or Parcel Post Only). Any special handling charges (i.e. Second Day, Overnight, etc.) will be the responsibility of the consumer.

All warranty claims apply only to the original purchaser and require a proof of purchase verifying purchase date. Do not return parts to our address without first obtaining a return authorization number from our customer service.

This service is available by calling 866-475-5180, 8:30am to 4:30pm, Central Time, Monday through Friday, or write to Outdoor Leisure Products, Inc., 5400 Doniphan Drive, Neosho, MO 64850.

This warranty may give you specific legal rights that vary by state.

Outdoor Leisure Products, Inc
5400 Doniphan Drive
Neosho, MO 64850
www.olp-inc.com

©2014 Outdoor Leisure Products, Inc. Smoke Hollow ® and the Smoke Hollow ® logo are trademarks of Outdoor Leisure Products, Inc. and are not to be used without express permission by Outdoor Leisure Products, Inc.