



# 4-BURNER LP GAS GRILL WITH SIDE BURNER

Model #M486BBDG14/M486BBDG14-D/M486RDDG14/  
M486RDDG14-D/M486GMDG14/M486GMDG14-D

Français p. 33

Español p. 65



C US

ANS Z21.58b- 2012  
CSA 1.6b- 2012  
Outdoor Cooking  
Gas Appliance

**ATTACH YOUR RECEIPT HERE**

Serial Number \_\_\_\_\_ Purchase Date \_\_\_\_\_



**Questions, problems, missing parts?** Before returning to your retailer, call our customer service department at 1-877-447-4768, 8:30 a.m. – 4:30 p.m., CST, Monday – Friday or e-mail us at [customerservice@ghpgroupinc.com](mailto:customerservice@ghpgroupinc.com).

## TABLE OF CONTENTS

---

|                              |    |
|------------------------------|----|
| Safety Information .....     | 3  |
| Package Contents .....       | 5  |
| Hardware Contents .....      | 6  |
| Preparation .....            | 6  |
| Assembly Instructions .....  | 7  |
| Operation Instructions ..... | 19 |
| Care and Maintenance .....   | 24 |
| Troubleshooting .....        | 27 |
| Warranty .....               | 29 |
| Replacement Parts List ..... | 30 |

Assembler/Installer: This manual contains important information necessary for the proper assembly and safe use of this appliance. Read and follow all warnings and instructions before assembling and using this appliance. **Leave these instructions with the consumer.**

Consumer/User: Follow all warnings and instructions when using this appliance.  
**Retain these instructions for future reference.**



### **DANGER:**

**If you smell gas:**

- 1. Shut off gas to the appliance.**
- 2. Extinguish any open flame.**
- 3. Open lid.**
- 4. If odor continues, keep away from the appliance and immediately call your local fire department.**



### **WARNING:**

1. Do not store or use gasoline or other flammable liquids or vapors in the vicinity of this or any other appliance.
2. An LP (liquid propane) cylinder not connected for use shall not be stored in the vicinity of this or any other appliance.
3. This grill is for outdoor use only and shall not be used in a building, garage, under overhangs or any other enclosed area.
4. Do not leave a lit grill unattended. Keep children and pets away from the grill at all times.

## SAFETY INFORMATION

Please read and understand this entire manual before attempting to assemble, operate or install the product. If you have any questions regarding the product, please call customer service at: 1-877-447-4768, 8:30 a.m. – 4:30 p.m., CST, Monday – Friday.

### DANGER

- Do not use in an explosive atmosphere. Keep grill area clear and free from combustible materials, gasoline and other flammable vapors and liquids.

#### CALIFORNIA PROPOSITION 65

Fuels used in gas or oil fired appliances and the products of combustion of such fuels contain chemicals known to the State of California to cause cancer, birth defects or other reproductive harm. This product contains chemicals, including lead and lead compounds, known to the State of California to cause cancer, birth defects or other reproductive harm. ***Wash hands after handling.***

### CAUTION

- Never use charcoal or lighter fluid with the grill.
- Do not use gasoline, kerosene or alcohol for lighting.
- The LP gas cylinder used with this appliance must be:
  - (a) Constructed and marked in accordance with the Specifications for LP-Gas Cylinders of the U.S. Department of Transportation (D.O.T.) or the National Standard of Canada, CAN/CSA-B339, Cylinders, Spheres and Tubes for Transportation of Dangerous Goods; and Commission, as applicable; and
  - (b) Provided with a listed overfilling prevention device.
  - (c) Provided with a cylinder connection device compatible with the connector for outdoor cooking appliances. This grill is not intended to be used in or installed on recreational vehicles and/or boats.
- Never keep a filled container in a hot car or car trunk. Heat will cause the gas pressure to increase, which may open the relief valve and allow gas to escape.
- Always open grill lid slowly and carefully as heat and steam trapped within the grill can burn you severely.

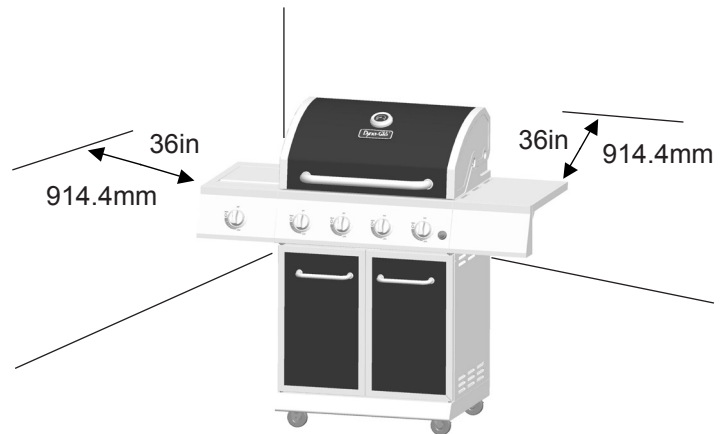


## SAFETY INFORMATION

### ⚠ WARNING

- Do not place the grill under overhead combustible construction or awnings. Minimum clearance from sides and back of unit to combustible construction, 36 inches (914.4mm) from sides and back.

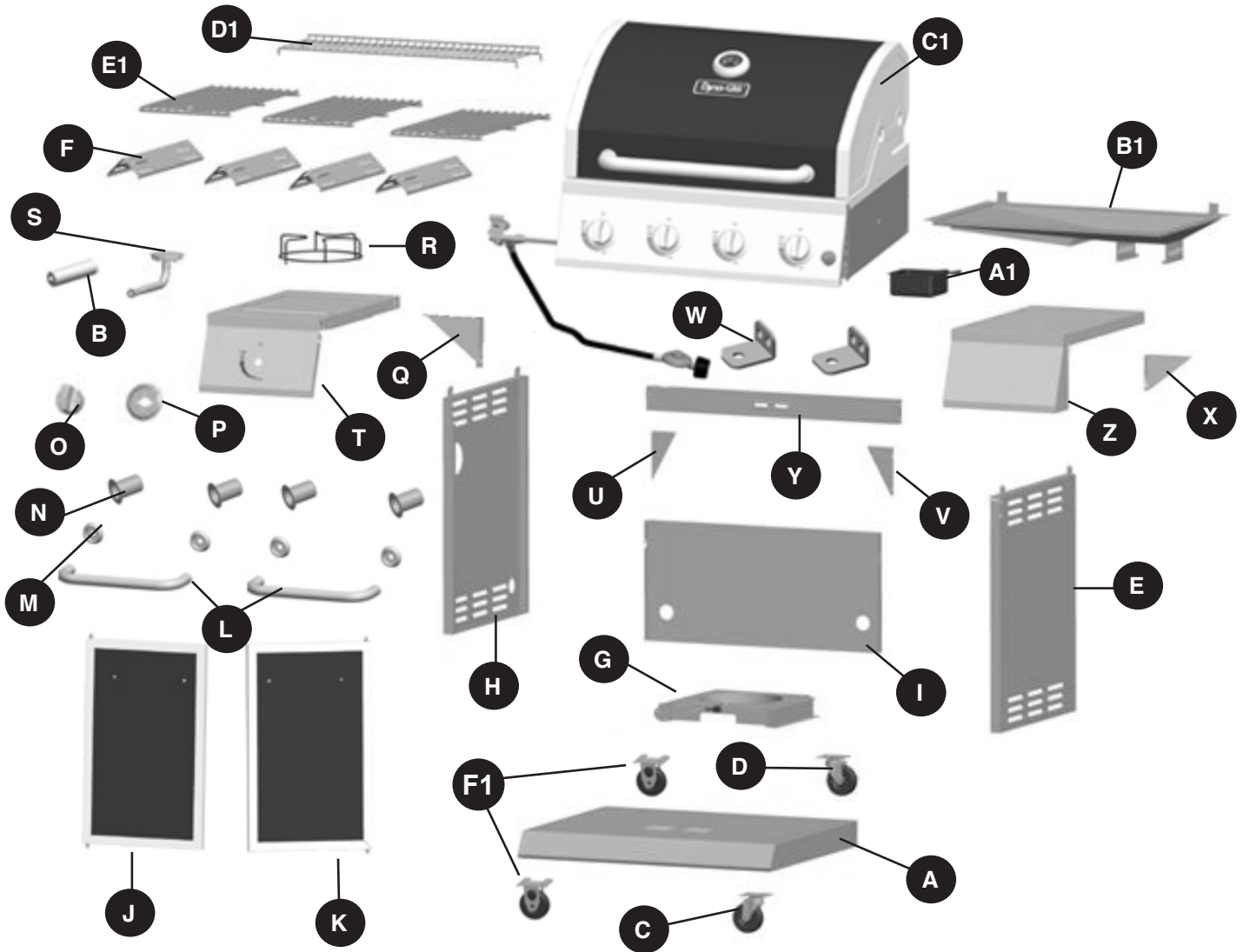
NOTE: The installation must conform with local codes or, in the absence of local codes, with either the National Fuel Gas Code, ANSI Z223.1/NFPA 54, Natural Gas and Propane Installation Code, CSA B149.1, or Propane Storage and Handling Code, B149.2.



### ⚠ CAUTION

- Do not store or use gasoline or other flammable liquids or vapors in the vicinity of this or any other appliance.
- An LP cylinder not connected for use shall not be stored in the vicinity of this or any other appliance.
- This grill is for use with propane gas only (propane cylinder not included).
- Never attempt to attach this grill to the self-contained propane system of a boat, camper trailer, motor home or house.
- Do not attempt to move the grill while it is lit or when it is hot. The casters should be locked when not moving the grill.
- Do not use the grill unless it is completely assembled and all parts are securely fastened and tightened.
- Keep all combustible items and surfaces at least 36 inches (91.44 cm) away from the grill at all times.
- Do not touch metal parts of grill until it has completely cooled (about 45 minutes) to avoid burns, unless you are wearing protective gear (pot holders, gloves, BBQ mittens, etc...).
- Do not alter this grill in any manner.
- Clean and inspect the hose before each use. If there is evidence of abrasion, wear, cuts, or leaks, the hose must be replaced prior to operating the appliance. The replacement hose assembly will be that which is specified by the manufacturer, listed in the repair parts list in this manual.
- Move gas hoses as far away as possible from hot surfaces and dripping hot grease.
- Keep the grill's valve compartment, burners and circulating air passages clean. Inspect the grill before each use. Do not obstruct the flow of gas or ventilation air.
- The use of alcohol, prescription or non-prescription drugs may impair the operator's ability to properly assemble or safely operate the grill.
- **Do not leave a lit grill unattended. Keep children and pets away from the grill at all times.**
- Do not place this grill on any type of tabletop surface. The grill should be placed on a flat and level surface.
- Do not use the grill in high winds.

# PACKAGE CONTENTS



| PART | DESCRIPTION                    | QUANTITY |
|------|--------------------------------|----------|
| A    | Bottom Shelf                   | 1        |
| B    | AA Battery (1.5v)              | 1        |
| C    | Non-Locking Swivel Caster      | 1        |
| D    | Locking Swivel Caster          | 1        |
| E    | Cart Right Side Panel          | 1        |
| F    | Heat Tents                     | 4        |
| G    | Tank Shelf                     | 1        |
| H    | Cart Left Side Panel           | 1        |
| I    | Cart Rear Panel                | 1        |
| J    | Left Door Assembly             | 1        |
| K    | Right Door Assembly            | 1        |
| L    | Door Handle                    | 2        |
| M    | Door Handle Bezel              | 4        |
| N    | Door Handle Sleeve             | 4        |
| O    | Side Burner Control Knob       | 1        |
| P    | Side Burner Control Knob Bezel | 1        |

| PART | DESCRIPTION                      | QUANTITY |
|------|----------------------------------|----------|
| Q    | Left Side Burner Table Support   | 1        |
| R    | Side Burner Cooking Grate        | 1        |
| S    | Side Burner Assembly             | 1        |
| T    | Left Side Burner Table Assembly  | 1        |
| U    | Left Support - Upper Door Brace  | 1        |
| V    | Right Support - Upper Door Brace | 1        |
| W    | Support for Door Pin             | 2        |
| X    | Right Side Table Support         | 1        |
| Y    | Upper Front Door Brace           | 1        |
| Z    | Right Side Table Assembly        | 1        |
| A1   | Grease Cup                       | 1        |
| B1   | Grease Pan                       | 1        |
| C1   | Grill Body                       | 1        |
| D1   | Warming Rack                     | 1        |
| E1   | Cooking Grate                    | 3        |
| F1   | Directional Caster               | 2        |

## HARDWARE CONTENTS (shown actual size)



M6x12

Qty. 41



M6x12

Qty. 4

NOTE:  
4 (AA) screws  
preassembled  
in door handle.



M6  
Plain  
Washer

Qty. 26



M6  
Spring  
Washer

Qty. 16



M4x12  
Screw

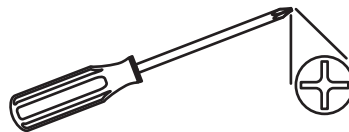
Qty. 28

## PREPARATION

Before beginning assembly of product, make sure all parts are present. Compare parts with package contents list on previous page and hardware contents above. If any part is missing or damaged, do not attempt to assemble the product. Contact customer service for replacement parts.

**Estimated Assembly Time:** 50 minutes with 2 people.

**Tools Required for Assembly and Leak Testing (not included):** Phillips screwdriver, Spray bottle



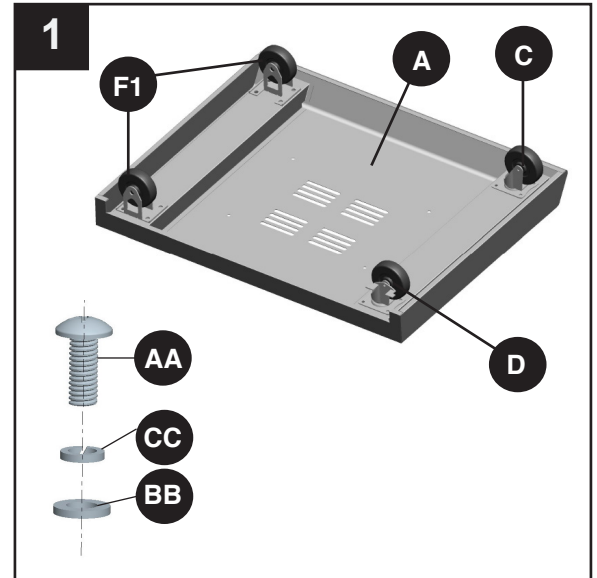
## ⚠ CAUTION

**THIS UNIT IS HEAVY. Two people required for safe assembly.**




Two people required for safe assembly. Some parts may contain sharp edges. Wear protective gloves if necessary. Read and follow all safety statements, warnings, assembly instructions and use and care instructions before attempting to assemble and use.

# ASSEMBLY INSTRUCTIONS

- Assemble the casters, including 2 directional casters (F1), 1 non-locking swivel caster (C), 1 locking swivel caster (D), onto bottom shelf (A) with 4 M6 screw (AA), plain washer (BB) and spring washer (CC) for each caster as shown.



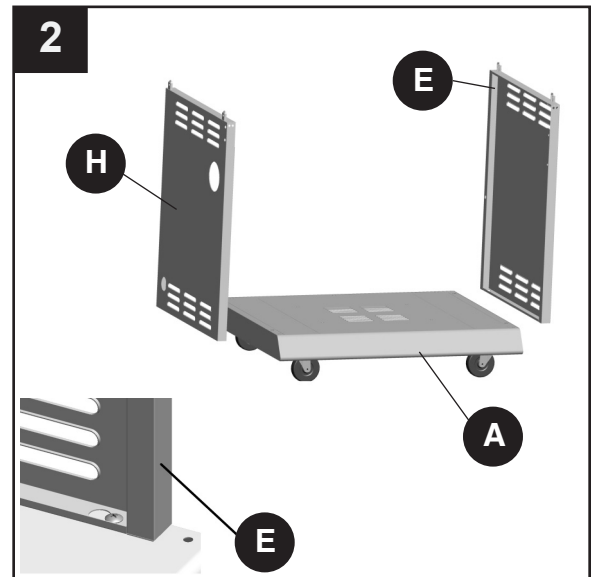
## Hardware Used

|           |               |   |      |
|-----------|---------------|---|------|
| <b>AA</b> | M6x12 Screw   |    | x 16 |
| <b>BB</b> | Plain Washer  |   | x 16 |
| <b>CC</b> | Spring Washer |  | x 16 |

- Insert 4 screws (AA) into holes in bottom shelf (A), leaving 4-6mm clearance from screw head to bottom shelf (A). Attached cart left side panel (H) by placing the panel keyhole over the screw heads (AA) on the left side of bottom shelf (A), slide the cart left side panel (H) so that the screw head is over the smaller part of keyhole. Thread the screw (AA) down snug but do not tighten at this step. Repeat with cart right side panel (E).

## Hardware Used

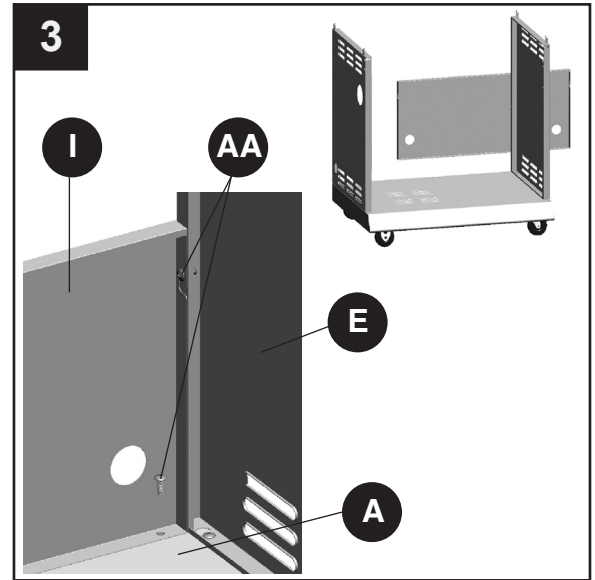
|           |             |   |     |
|-----------|-------------|---|-----|
| <b>AA</b> | M6x12 Screw |  | x 4 |
|-----------|-------------|---|-----|



## ASSEMBLY INSTRUCTIONS

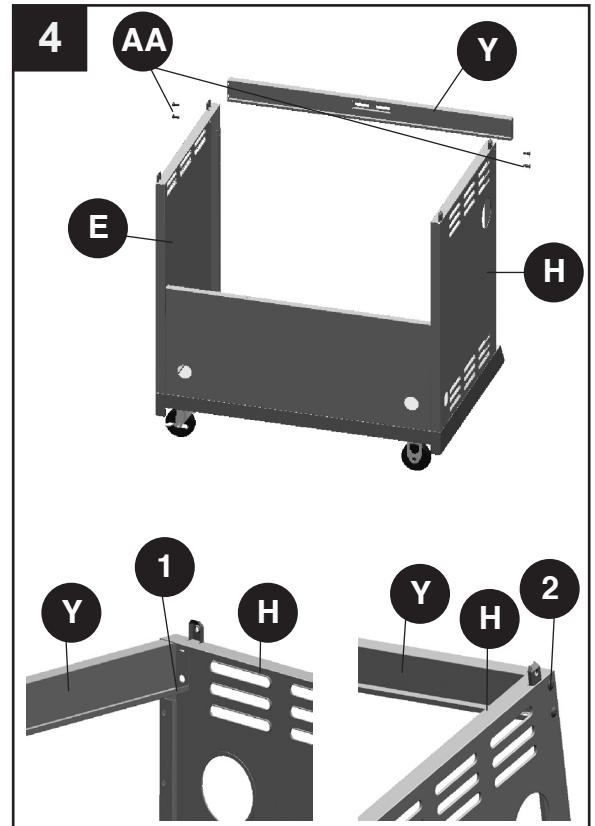
3. Insert one screw (AA) into the rear holes of the cart left side panel and cart right side panel (H&E), leaving 4-6mm clearance from screw head to the side panels (H&E). Attached the cart rear panel (I) by sliding the keyholes in the cart rear panel over the inserted screws and then push with force. Secure the cart rear panel (I) to the bottom shelf (A) using 3 screws (AA). Tighten the 2 screws on the side panels (H&E).

### Hardware Used



4. Align upper front door brace (Y) to the holes 1 on cart left side panel (H). Secure upper front door brace to 2 using 2 screws (AA). Repeat and secure upper front door brace (Y) to cart right side panel (E).

### Hardware Used

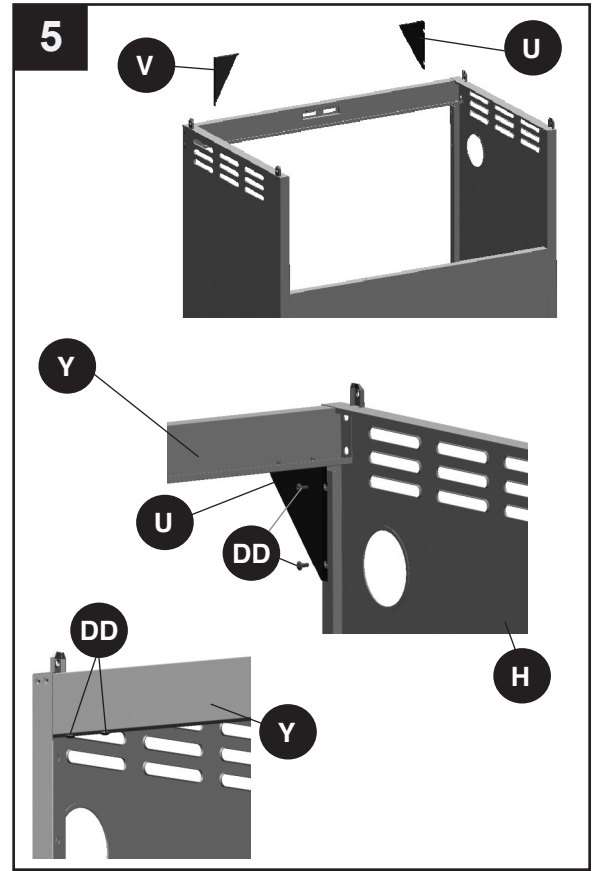




## ASSEMBLY INSTRUCTIONS

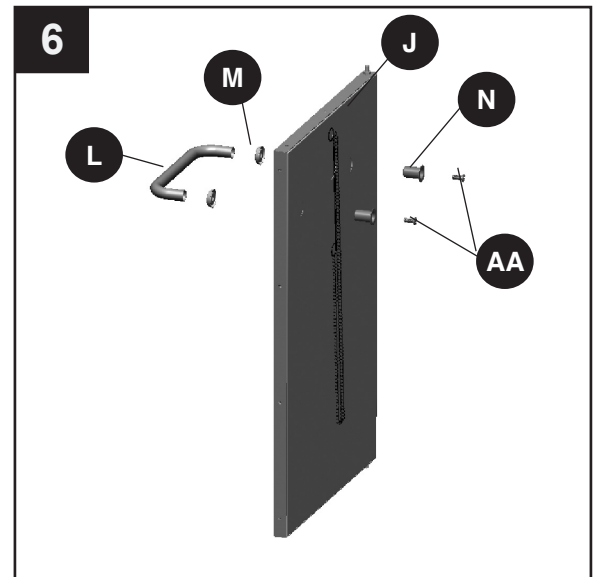
5. Insert 2 screws (DD) into left edge of upper front door brace (Y), but do not tighten. Leave 4-6mm clearance from screw head to the bottom of upper front door brace (Y). Attached left support for upper front door brace (U) onto the inserted screws. Secure with 2 additional screws (DD) and tighten all four screws (DD). Repeat with right support for upper front door brace (V).

### Hardware Used



6. Remove preassembled 2 screws (AA) and door handle sleeve (N) from the door handle (L). Insert the 2 door sleeves (N) into the holes located on the back of the door assembly (J), Insert 2 screws (AA) into the door handle sleeve (N), through the door handle bezels (M) and into the thread holes in the door handles (L). Tighten the screws. As shown on below figure. Repeat with right door assembly (K).

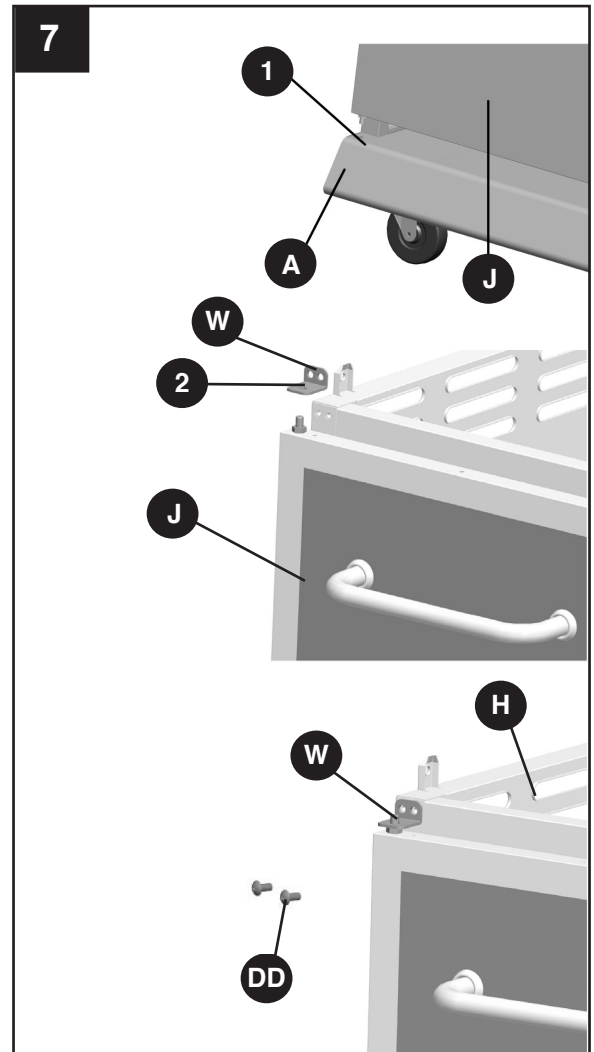
### Hardware Used



## ASSEMBLY INSTRUCTIONS

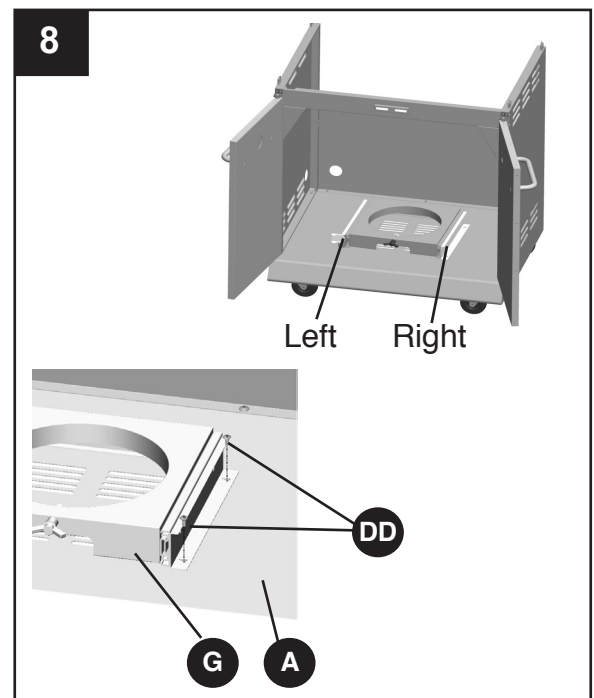
7. Insert the bottom axis in left door assembly (J) into the hole (1) on bottom shelf. Insert the upper axis in left door assembly (J) into the hole of support for door pin (W), secure support for door pin (W) to cart left side panel (H) using 2 screw (DD). Repeat with right door assembly (K).

### Hardware Used



8. Place tank shelf (G) onto bottom shelf (A) with care. Secure the right of tank shelf (G) to bottom shelf (A) using 2 screws (DD) and tighten the screws. Repeat and secure the left of tank shelf (G).



### Hardware Used

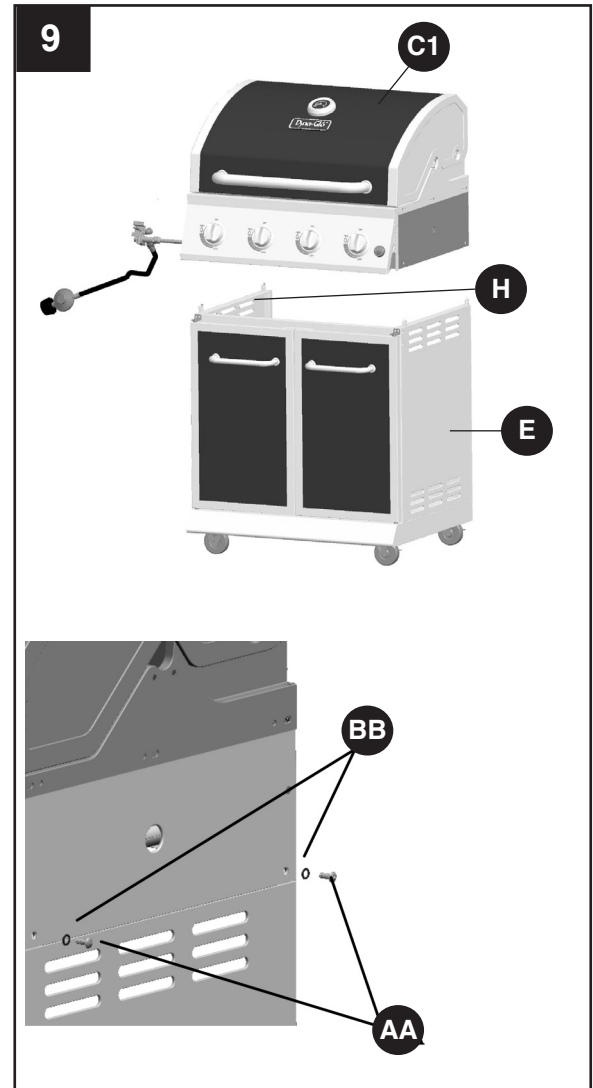


## ASSEMBLY INSTRUCTIONS

9. Carefully place the grill body (C1) onto the cart left side panel and cart right side panel (H&E). Adjust the grill body (C1) so that the holes in the grill body (C1) are aligned with the holes in the tabs of the cart side panels (H&E).  
NOTE: Make sure the gas hose/regulator assembly is outside the cart. Fasten the grill body (C1) using 2 screws (AA) and plain washer (BB) on each side.

### Hardware Used

- AA** M6x12 Screw  x 4
- BB** M6 Plain Washer  x 4

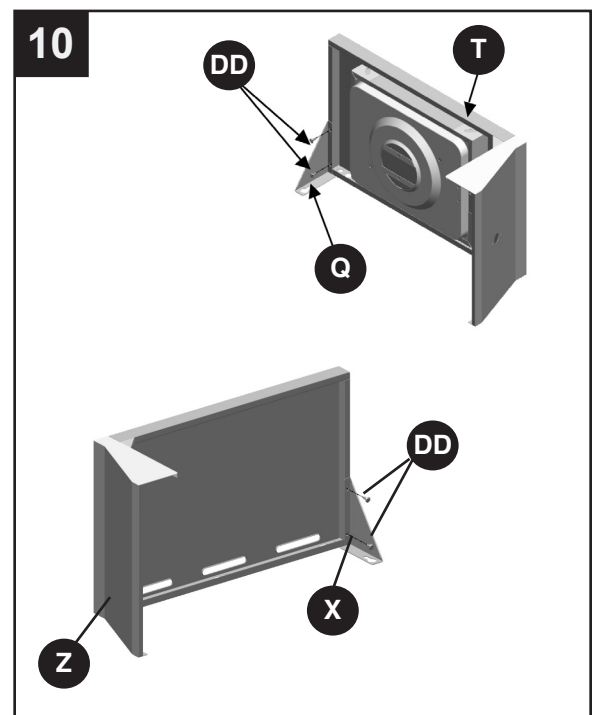


10. Secure support for left side burner table (Q) to left side burner table assembly (T) using 2 screws (DD).

Secure support for right side table (X) to right side table assembly (Z) using 2 screws (DD).

### Hardware Used



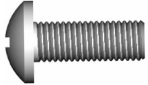
- DD** M4x12 Screw  x 4

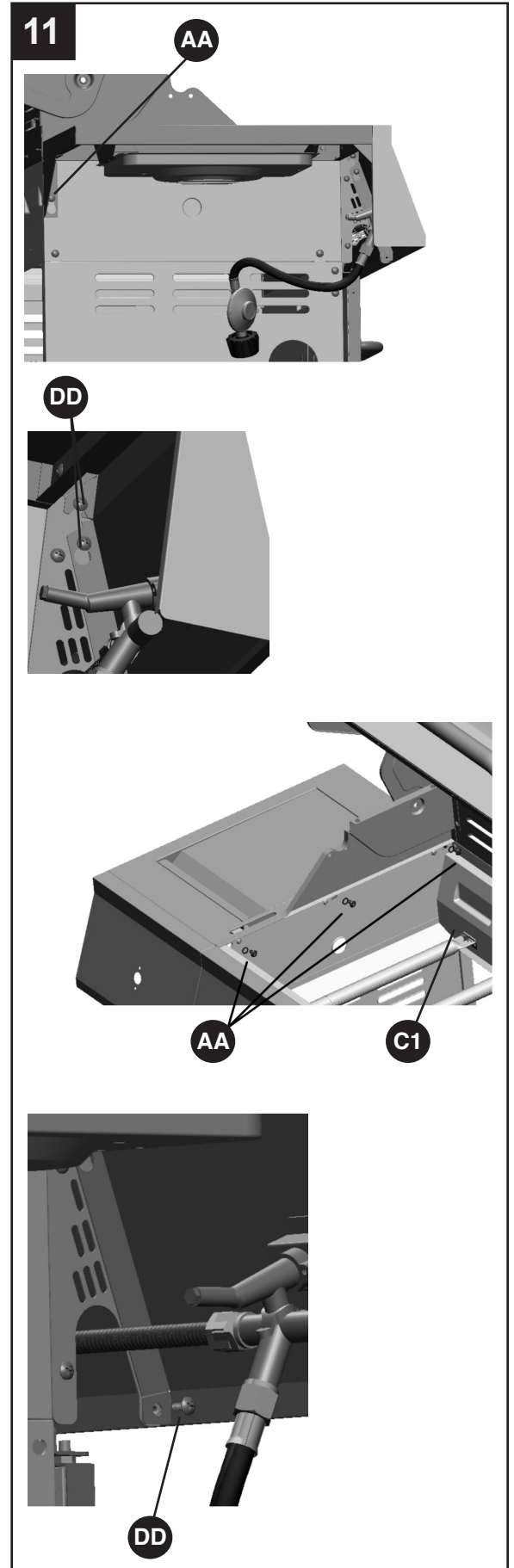


# ASSEMBLY INSTRUCTIONS

11. Insert 1 pc M6x12 Screw (AA) and 2 pcs M4x12 Screw (DD) to grill body (C1), leaving 4-6mm clearance from screw head to grill body (C1). Align left side burner table assembly (T) to the 3 inserted screws. Insert 3 screws (AA) with plain washers (BB) from the holes of grill body (C1) out to the left side burner table assembly (T). Secure using 1 screw (DD). Adjust left side burner table assembly (T) correctly then tighten all screws.

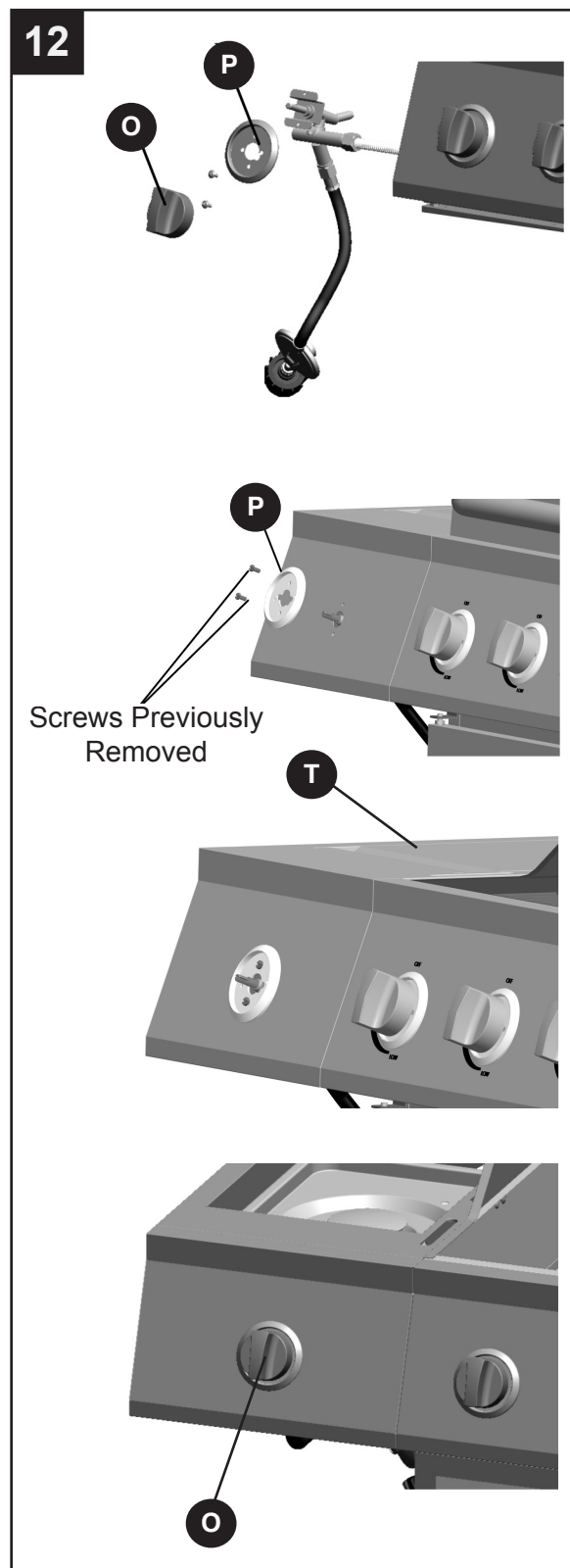
### Hardware Used

|           |              |   |     |
|-----------|--------------|---|-----|
| <b>AA</b> | M6x12 Screw  |    | x 4 |
| <b>BB</b> | Plain Washer |   | x 3 |
| <b>DD</b> | M4x12 Screw  |  | x 3 |



## ASSEMBLY INSTRUCTIONS

12. Remove pre-assembled 2 screws from the bracket in the side burner valve assembly. Secure side burner valve assembly and side burner control knob bezel (P) to the side table by placing the side burner valve assembly under the side table and sliding the valve stem through the hole in the side table front facing and hold in place. Place the side burner control knob bezel (P) over the valve stem on the outside of the side table front facing, lining up the holes in the bezel with the holes in the valve assembly. Secure by replacing the screws removed earlier in this step. Tighten screws. Slide side burner control knob (O) over valve stem.

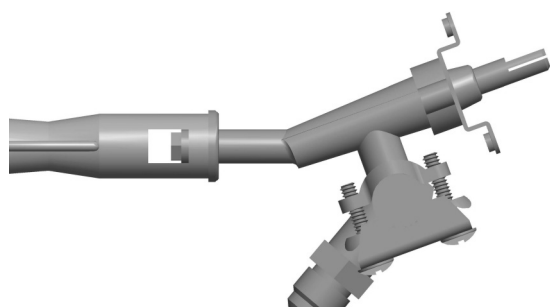


## ASSEMBLY INSTRUCTIONS

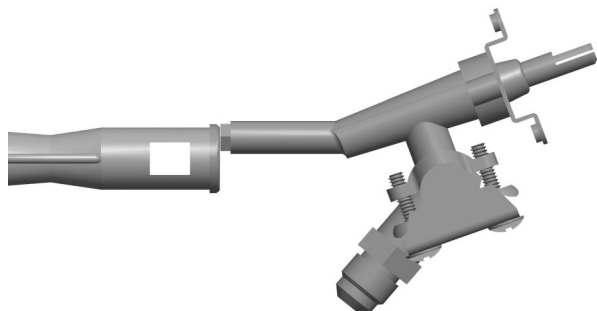
13. Secure side burner assembly (S) to left side burner table assembly (T) using 2 screws (DD). Ensure side burner orifice placed into the gas inlet tube of side burner. Install the ignition wiring to the electrode assembly.

### Hardware Used

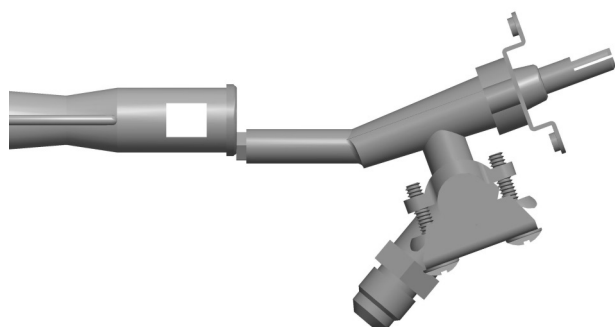
**DD** M4x12 Screw  x 2



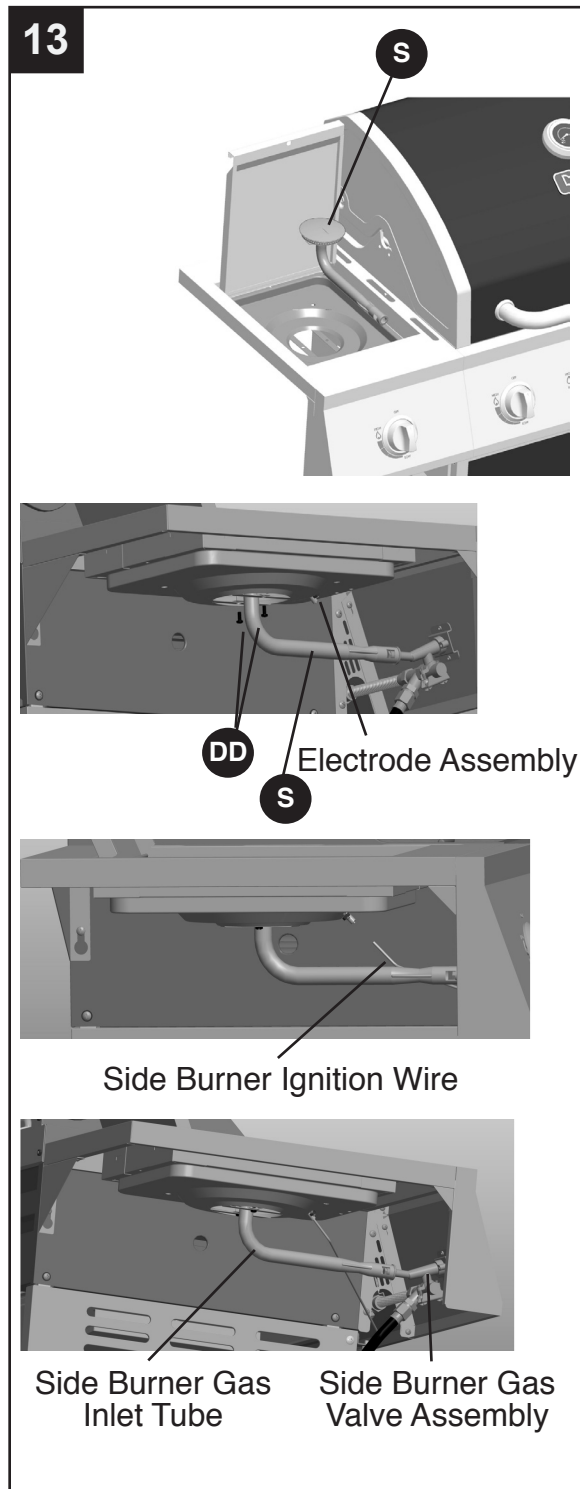
Correct



Wrong






Wrong



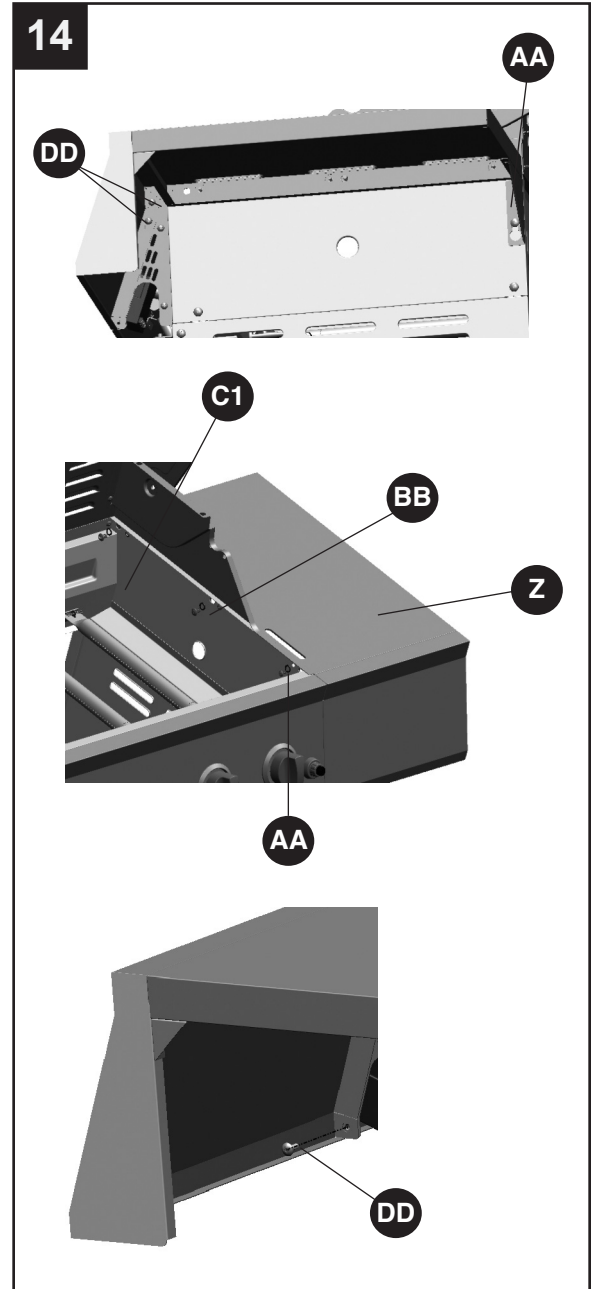
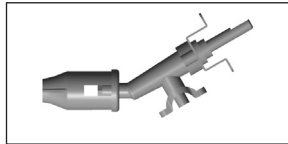
# ASSEMBLY INSTRUCTIONS

14. Insert 1 M6x12 screw (AA) Screw and 2 M4x12 Screws (DD) to grill body (C1), leaving 4-6mm clearance from screw head to grill body (C1). Align right side table assembly (Z) to the 3 inserted screws. Insert 3 M6x12 screws (AA) with plain washers (BB) from the holes of grill body (C1) out to the right side table assembly (Z). Secure right side table assembly (Z) using 1 M4x12 screw (DD). Adjust the right side table assembly (Z) correctly then tighten all screws.

### Hardware Used

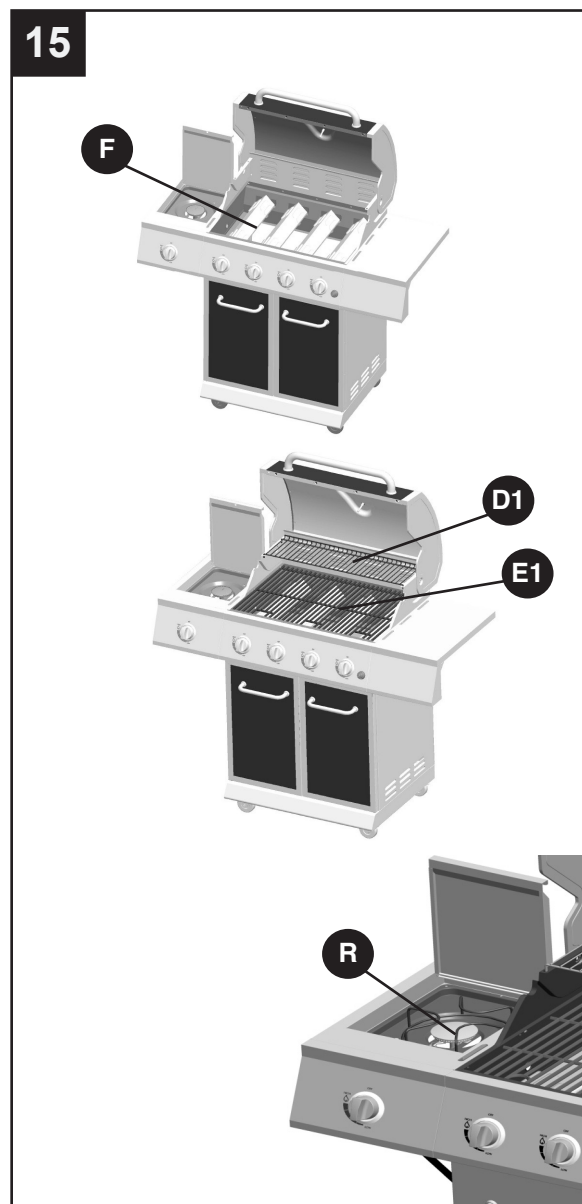
|           |               |   |     |
|-----------|---------------|---|-----|
| <b>AA</b> | M6x12 Screw   |  | x 4 |
| <b>BB</b> | Plain Washer  |  | x 3 |
| <b>DD</b> | Spring Washer |  | x 3 |

**⚠ WARNING: IT IS VERY IMPORTANT TO CHECK AND ENSURE THAT EACH AND EVERY BURNER IS FULLY ENGAGED WITH THE ADJACENT VALVE ORIFICE BEFORE COMPLETING STEP 15. FAILURE TO DO SO MAY RESULT IN FIRE OR EXPLOSION, POSSIBLY CAUSING SERIOUS INJURY OR DEATH. REFER TO MAINTENANCE SECTION INSTRUCTIONS TO PROPERLY CHECK THE ENGAGEMENT.**

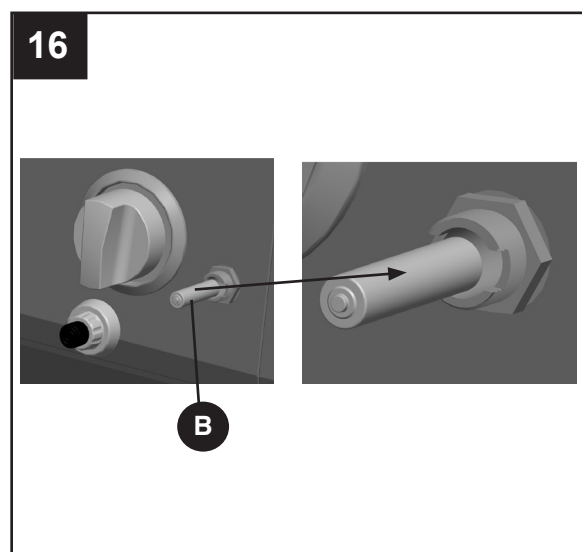


## ASSEMBLY INSTRUCTIONS

15. Open the lid, place 4 heat tents (F), 3 cooking grates (E1) and 1 warming rack (D1) on the inside of the grill body (C1). Place side burner cooking grate (R) onto left side burner table (T). Insert the warming rack (D1) into the four holes located on both sides of grill body.



16. Remove the igniter cap, insert AA battery (B) into the igniter body with positive '+' end facing out. Replace the igniter cap.

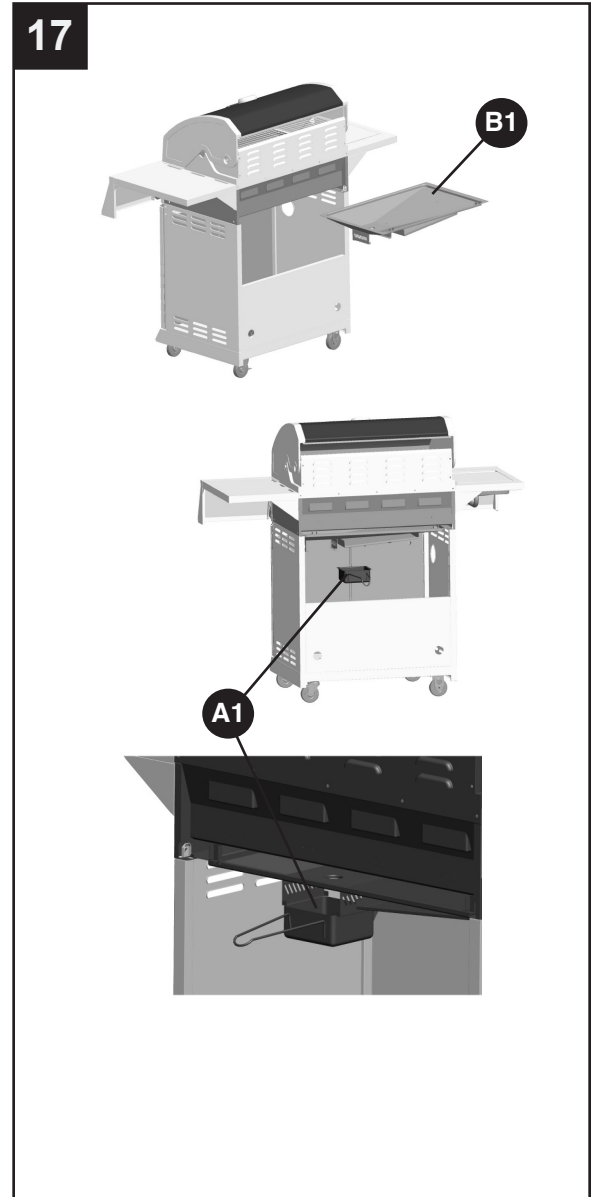




## ASSEMBLY INSTRUCTIONS

17. Insert the grease pan (B1) into position by sliding it in the grill body from the rear as shown on below figure, along the rails located just below the underside of grill body.

NOTE: Pay attention and do not slide the grease pan from opposite position. Insert grease cup (A1) into position by sliding it onto the rail on the bottom side of grease pan as shown.



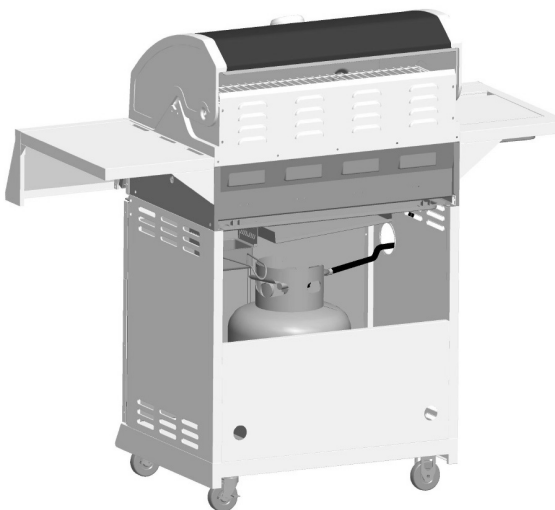
## ASSEMBLY INSTRUCTIONS

18. Open the cart door assembly (J&K), insert hose/regulator assembly into the cart assembly through the hole on cart left side panel (H). Pull the tank shelf (G) out of the cart, place gas cylinder (sold separately) onto tank shelf (G). Rotate the gas cylinder until the hose/regulator coupling can easily be attached to the valve on the LP cylinder. Hand-tighten the hose/regulator coupling to the threaded valve of the LP gas cylinder. Tighten gas cylinder retaining bolt. Slide tank shelf (G) back into cart and secure in place by swinging the tank shelf rail locking plate over and in front of the tank shelf (G).

Fully Assembled

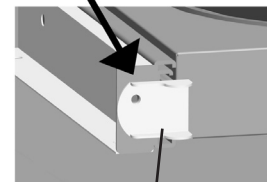
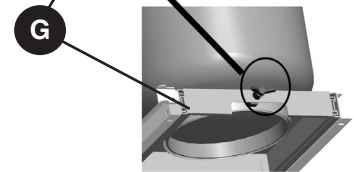
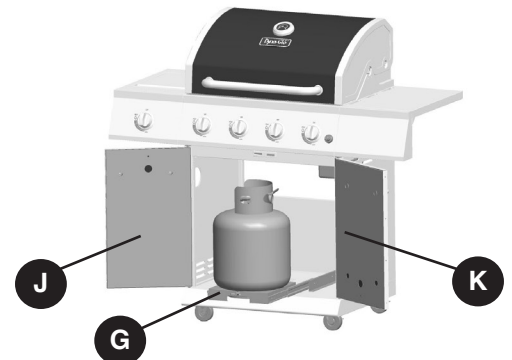


Front View



Rear View

18



Tank shelf rail locking plate

## OPERATION INSTRUCTIONS

---


### CHECKING FOR LEAKS

After all connections are made, check all connections and fittings on the LP gas tank valve, gas hose and regulator for leaks with a water and soap solution.

To prevent fire or explosion while testing for a leak:

- Always perform leak test prior to lighting the grill.
- Do not smoke while testing for a leak.
- Always perform leak tests outdoors in a well-ventilated area.
- Do not use any source of flame while testing for leaks.
- Do not use the grill until any and all leaks are corrected.
- If you are unable to correct a leak, disconnect the propane supply and call a gas appliance service dealer.

### PERFORM LEAK TEST

- Prepare leak test solution by combining 1 part liquid dish soap with 3 parts water. Total solution required is approximately 2 - 3 ounces (70 - 90 ml). Put leak test solution in a spray bottle.
- Ensure all control knobs are in the  OFF position.
- Connect the gas hose to the gas supply.
- Open the LP gas tank valve.
- Spray leak test solution on all gas carrying connections and fittings. Presence of bubbles at areas of applied test solution indicates a gas leak. If leaks are detected or you smell or hear gas, shut off the gas supply valve immediately and repair or replace the defective part. Do not use the grill until all leaks are corrected.

## CAUTION

**Only use the regulator and hose assembly provided!** If a replacement is necessary, please call our customer service center. Do not use replacement parts that are not intended for this grill.

## WARNING

**ALL INSTRUCTIONS AND SAFEGUARDS ON THIS PAGE MUST BE FOLLOWED TO PREVENT FIRE, DAMAGE AND/OR INJURY.**

## OPERATION INSTRUCTIONS

### CONNECTING GAS CYLINDER

The propane gas supply cylinder to be used must be constructed and marked in accordance with the Specifications for LP Gas Cylinders of the U.S. Department of Transportation (D.O.T.) or the National Standard of Canada, CAN/CSA-B339, Cylinders, Spheres and Tubes for Transportation of Dangerous Goods; and Commission, as applicable; and Provided with a listed overfilling prevention device.

Use only 20-pound cylinders (height: 18.11 inches, tank diameter: 9.84 inches, foot diameter: 8.03 inches) equipped with a cylinder connection device compatible with the connection for outdoor cooking appliances.

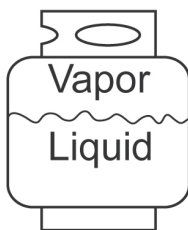
The cylinder must include a collar to protect the cylinder valve. The gas cylinder should not be dropped or handled roughly!

If the appliance is not in use, the gas cylinder must be disconnected. Storage of an appliance indoors is permissible ONLY if the cylinder is disconnected and removed from the appliance. Cylinders must be stored outdoors out of the reach of children and must not be stored in a building, garage or any other enclosed area. Your cylinder must never be stored where temperatures can reach over 125°F.

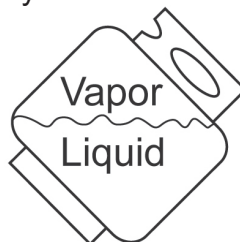
Place dust cap on cylinder valve outlet whenever the cylinder is not in use. Only install the type of dust cap on the cylinder valve outlet that is provided with the cylinder valve. Other types of caps or plugs may result in leakage of propane.

Before connection, be sure that there is no debris caught in the outlet of the gas cylinder, outlet of the regulator valve or in the outlet of the burner and burner ports. Connect regulator valve and hand-tighten firmly. Keep the propane cylinder valve closed and disconnect the propane cylinder from the regulator valve when the grill is not in use.

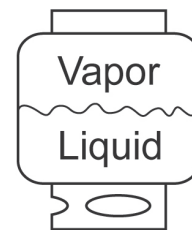
DO NOT obstruct the flow of combustion air and ventilation air to the grill. The propane cylinder must be arranged for vapor withdrawal and equipped with a listed overfilling prevention device. Please use the proper cylinder orientation to provide vapor withdrawal. NOTE: The cylinder must be fully upright for the cylinder to have vapor withdrawal only.



Correct



Wrong



Wrong

## ⚠ CAUTION

- Do not store a spare LP-gas cylinder under or near this appliance.
- Never fill the cylinder beyond 80 percent full.
- If the information in (a) and (b) is not followed exactly, a fire causing death or serious injury may occur.





## OPERATION INSTRUCTIONS

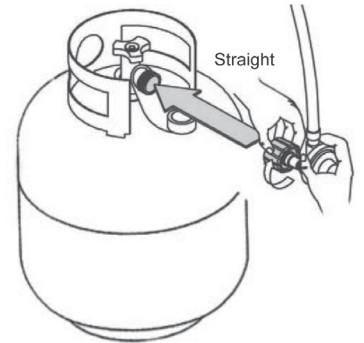
**NOTE:** Other cylinders may be acceptable for use with this appliance provided they are compatible with the appliance nesting hole and retention means. Refer to Step 18 of the Assembly Instructions for correct cylinder to cylinder holder connection.

### ⚠ WARNING

**ALL INSTRUCTIONS AND SAFEGUARDS ON THIS PAGE MUST BE FOLLOWED TO PREVENT FIRE, DAMAGE AND/OR INJURY.**

#### CONNECTING THE LP TANK

1. The knob on the LP tank must be closed. Make sure that the knob is turned  clockwise to a full stop. The cylinder supply system must be arranged for vapor withdrawal.
  2. Check that the control knob on the control unit is turned off.
  3. Remove the protective cap from the LP tank valve and coupling nut.
  4. Hold the regulator in one hand and insert the nipple into the valve outlet. Be sure the nipple is centered in the valve outlet. The coupling nut connects to the large outside threads on the valve outlet. Use care – do not cross thread the connection.
  5. Hand-tighten the coupling nut  clockwise until it comes to a full stop. Firmly tighten by hand only. Do not use tools.
- To Disconnect:** Fully close the tank valve by turning  clockwise. Turn the coupling nut  counterclockwise until the regulator assembly detaches.



### ⚠ WARNING

**In the connection process, make sure:**

- the regulator inlet connector mates with the cylinder valve outlet properly, safely and firmly, and;
- the LP gas hose does not come in contact or remain in contact with the firebox.

## OPERATION INSTRUCTIONS

---

### Lighting The Grill

#### Before first use:





Remove all hangings or plastic straps, if present. Before you cook on your new gas grill, it is important to clean your grill with heat. To do this, operate the grill for approximately 15 minutes with the lid closed and the control knob in the highest position. This will clean the internal parts by burning off any residue and odor from the manufacturing process.

## ⚠ CAUTION

If the flame extinguishes accidentally during ignition or operation, immediately **TURN OFF** the cylinder valve and then **TURN OFF** the control knob.

## ⚠ WARNING

Do not lean over grill when lighting. Read instructions before lighting.

1. Check that the control knobs are in the  OFF position.
2. Open valve at tank fully by turning  counter-clockwise.
3. Open lid during lighting.
4. Push igniter down 3 to 4 seconds while turning right side control knob to the  HIGH position. The burner should ignite.  
If ignition does not take place within 5 seconds, immediately turn the control knob to the  OFF position. Wait 5 minutes and repeat step 4 above or refer to match lighting instructions below.
5. Repeat for all other burners.

If the burner still does not light, check that there is gas in the cylinder and follow the match lighting instructions.

## OPERATION INSTRUCTIONS

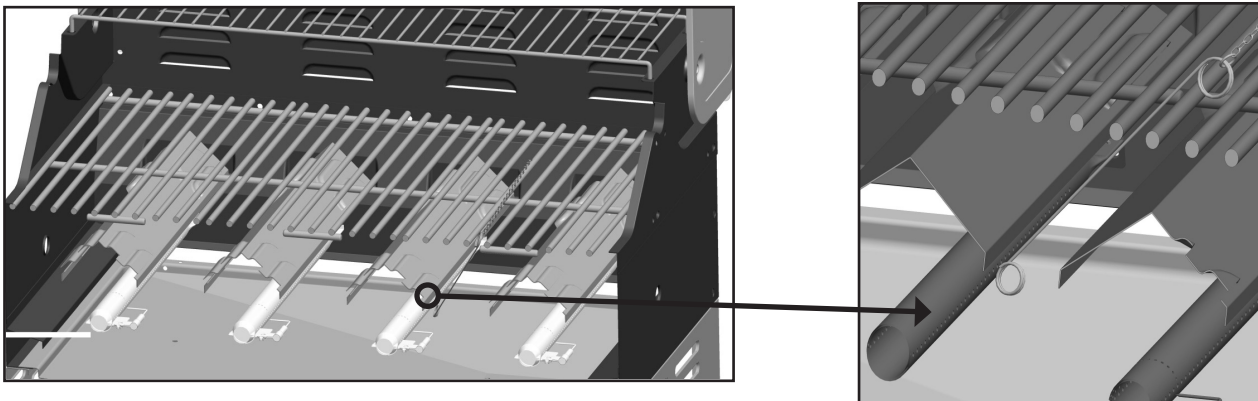
### LIGHTING THE GRILL WITH A MATCH

1. Open the lid.
2. Insert a match in the end of the match holder that is installed on the inside of the cabinet door.
3. Light the match.
4. Immediately place the lit match through the spaces in the grill gates near the ports of the burner between the heat tents as shown. Make sure the lit match is close to the burner ports.
5. Press in the control knob that operates the burner and rotate ↺ counter-clockwise to 🔥 High position and burner should light immediately.
6. Repeat 2~5 steps to lighting the remaining burners.
7. Adjust burners to desired cooking settings.

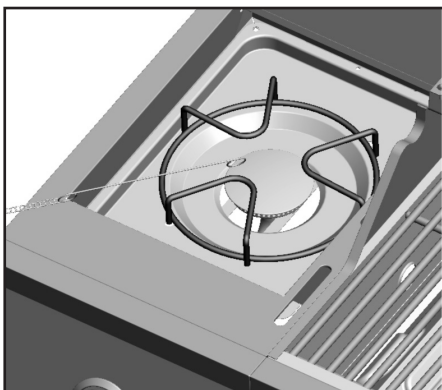
## ⚠ CAUTION

**Make sure all burners controls are off except for the burner being lit and the burners that have been lit.**

Main Burner Match Lighting



Side Burner Match Lighting



### SHUTDOWN INSTRUCTIONS

1. Turn control knobs ↻ clockwise to the ○ OFF position.
2. Close valve at tank fully by turning ↻ clockwise.
3. Close lid.

Turn off LP supply at cylinder when appliance is not in use.

## CARE AND MAINTENANCE

### Cooking Grates

The best time to 'burn-off' the cooking grates is after every use (approx. 15 minutes). The grill is already hot from cooking thus requiring less fuel to obtain necessary temperature for 'burn-off'.

To 'burn off' or heat clean your grill, turn the burners to highest position and run for 15 minutes with the lid closed. Then turn off the burners and use a wire brush to clean excess food residue from the grates.

The porcelain grates have an enamel finish (similar to glass) and should be handled with care not to chip.

## ⚠ CAUTION

**Ensure the grill is cool before cleaning and conducting maintenance and with the gas supply turned off at the LP-Gas Cylinder.**

### Recommended Cleaning Supplies

Mild liquid dish soap, warm water, nylon cleaning pad, wire brush

DO NOT use cleaners that contain acid, mineral spirits or any abrasive substance.

### Outside Surfaces

It is recommended to use only mild dish soap and hot water to clean grill and grill parts.

Rinse with warm water.

### Inside Bottom Pan of Grill Body

To avoid flare-ups, the bottom pan of the cooking box should be kept clean on a regular basis.

Remove residue using a brush, scraper and/or cleaning pad. Wash with mild dish soap and warm water. Rinse with warm water. Avoid water splashing into venturi tubes of burners.

### Heat Tents

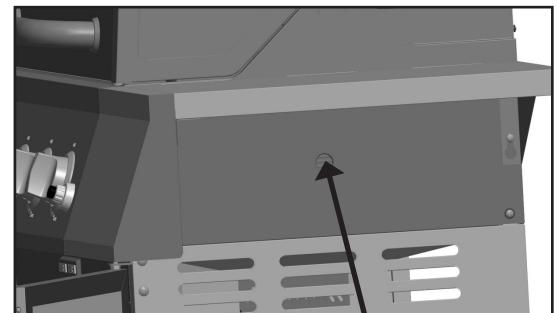
Clean residue with wire brush and wash with mild dish soap and warm water. Rinse with warm water.

### Grease Cup

Empty the grease cup and clean with mild dish soap and warm water on a regular basis.

### Checking The Flame

For maximum fuel efficiency and cooking performance, flame should be a blue-yellow color and be between 1- 2 inches high. To check the flame, view the flame through the holes in both sides of the firebox.



Hole for viewing the flame



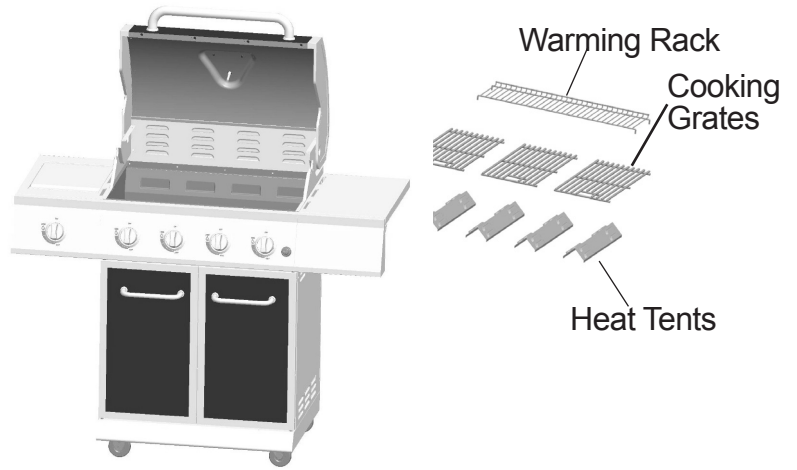


## CARE AND MAINTENANCE

### Burner Assembly

#### Removing The Burner Assembly

1. Make sure all control knobs are in the OFF position, gas supply valve is closed, and the gas hose is disconnected from the gas supply.
2. Open lid and remove warming rack, cooking grates, and heat tents.



3. Remove hinge pin as illustrated in Figure 1. Remove the 2 screws that secure the igniter electrode to the burner as illustrated in Figure 2.

Figure 1

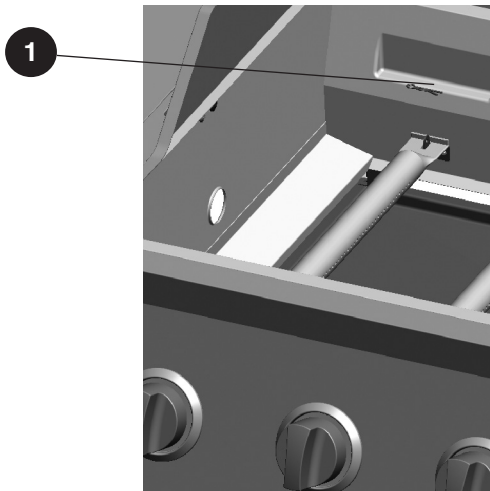
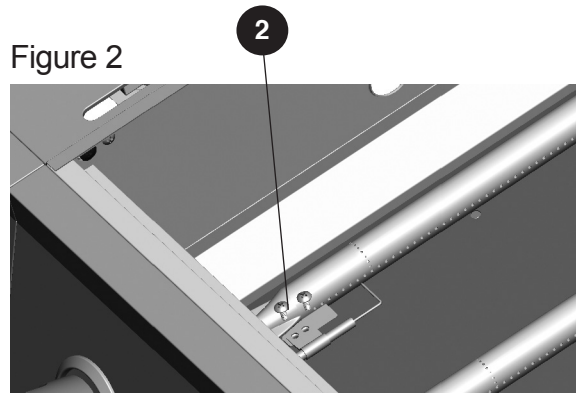
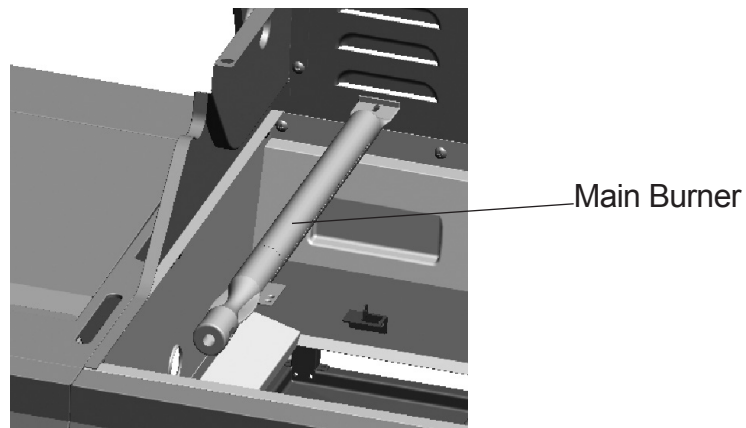


Figure 2



4. Slide burners out of firebox as shown.



## CARE AND MAINTENANCE

### Cleaning the Burner Assembly

– Make sure the grill is cool

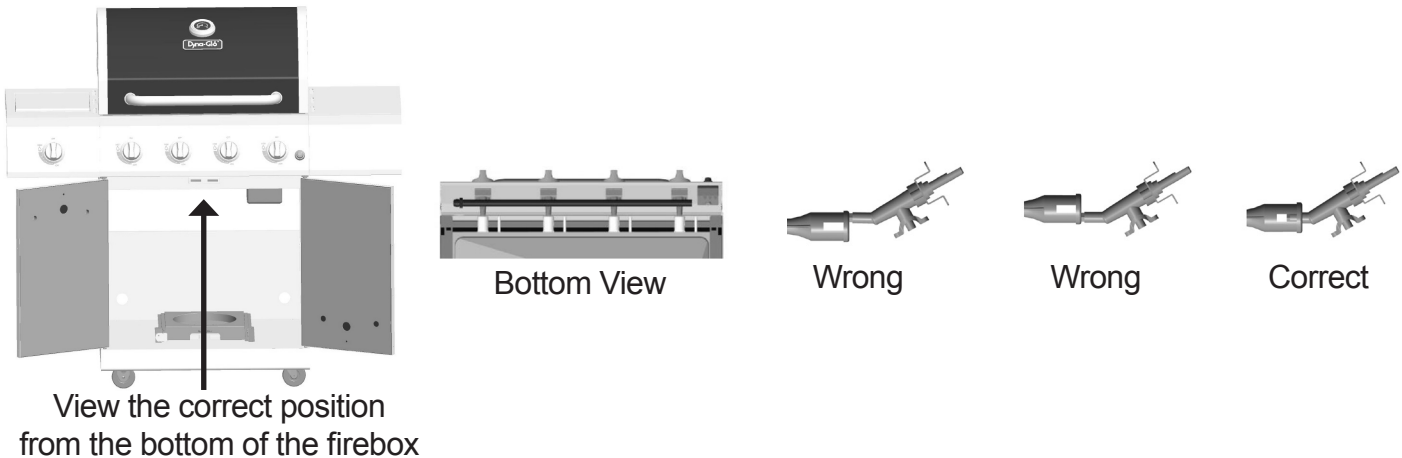
1. Ensure all burner ports are clear of clogs. Use of a pin or paper clip works well.
2. Ensure burner is free of any damage. If damage is found, replace with new burner.
3. Ensure the end of the burner and primary air screen are clear from insect nests, dirt or debris.

### Re-installing the Burner

Ensure that gas valve orifices are correctly positioned inside burner inlet (venturi).

The use of a flashlight may be necessary to ensure the correct position.

It is recommended to view the correct position through the firebox vent holes as illustrated below.



## ⚠ WARNING

**If the instructions above are not followed, a fire or explosion may result, possibly causing serious bodily injury or death.**

### Other Care and Maintenance

It is recommended that inspection and service on this appliance be conducted annually by a qualified service person.

It is recommended that you regularly check that the outdoor cooking appliance area is clear and free from combustible material, gasoline and other flammable vapors and liquids.

It is recommended that you regularly check that the flow of combustion and ventilation air is not obstructed.

It is recommended that you regularly check that the ventilation openings of the grill cabinet are free and clear from debris.

It is recommended that you regularly check and clean the burner/venturi tubes for insects and insect nests. A clogged tube can lead to a fire beneath the grill.

## CARE AND MAINTENANCE

The electronic ignition requires 1 “AA” alkaline battery, which is included.

### **⚠ WARNING**

DO NOT mix old and new batteries.  
DO NOT mix alkaline, standard (Carbon-Zinc), or rechargeable (Nickel-Cadmium) batteries.  
DO NOT dispose of batteries in fire. Improper disposal may cause batteries to leak or explode.

## TROUBLESHOOTING

If you have any questions regarding the product, please call customer service at 1-877-447-4768, 8:30 a.m. – 4:30 p.m., CST, Monday – Friday.

| PROBLEM  | POSSIBLE CAUSE   | CORRECTIVE ACTION  |
|--|--|--|
| <b>The burner will not light using the ignitor procedure (weak or no spark being generated).</b> | <ol style="list-style-type: none"><li>1. The igniter electrode may be covered with grease or residue.</li><li>2. The igniter electrode may have a loose or disconnected wire.</li><li>3. Cracked or broken ignition electrode.</li><li>4. Dead battery or faulty battery connection.</li></ol> | <ol style="list-style-type: none"><li>1. Clean the ignitor electrode.</li><li>2. Check the connection and reconnect any loose or disconnected wires.</li><li>3. Replace ignition electrode (see Replacement Parts List).</li><li>4. Perform any of the following:<ol style="list-style-type: none"><li>a. Replace battery</li><li>b. Check to see if battery is inserted correctly.</li><li>c. Check for any corrosion around battery terminals.</li><li>d. Check wire connections as stated above</li></ol></li></ol> |
| <b>Low Heat.</b>   | <ol style="list-style-type: none"><li>1. Insufficient gas pressure to the unit.</li></ol>  | <ol style="list-style-type: none"><li>1. Call a qualified service agency to check the gas supply pressure and correct the pressure.</li></ol>  |
| <b>Excessive Flare Ups.</b>  | <ol style="list-style-type: none"><li>1. Grease and/or residue build-up on heat tents or in firebox.</li><li>2. Excessive dripping of fat or marinade from food.</li><li>3. Cooking temperature too high.</li></ol>  | <ol style="list-style-type: none"><li>1. Clean the grill components.</li><li>2. Trim the fat from meat and use non-oil based marinades.</li><li>3. Lower temperature accordingly.</li></ol>  |

## TROUBLESHOOTING

| PROBLEM   | POSSIBLE CAUSE  | CORRECTIVE ACTION  |
|---|---|--|
| <p><b>The burner will not light with a match.</b></p> | <ol style="list-style-type: none"> <li>1. Match not reaching burners (when holding match with hand).</li> <li>2. Empty tank.</li> <li>3. Poor connection between valve regulator and LP cylinder coupling.</li> <li>4. Burner inlet blocked.</li> </ol> | <ol style="list-style-type: none"> <li>1. Use match holder found in cabinet door.</li> <li>2. Check fuel level and refill tank if necessary.</li> <li>3. Turn off grill knobs, close the LP cylinder valve at top of cylinder and check the connection between the regulator valve and cylinder coupling. Disconnect and reconnect, if necessary.</li> <li>4. Clean the burner inlet (venturi) and burner as described by the Care and Maintenance section in the manual.</li> </ol>             |
| <p><b>No gas flow or an obstructed gas flow.</b></p>  | <ol style="list-style-type: none"> <li>1. Tank valve not on or fully opened.</li> <li>2. Empty tank.</li> <li>3. Poor connection between valve regulator and LP cylinder coupling.</li> <li>4. Burner inlet blocked.</li> </ol>                         | <ol style="list-style-type: none"> <li>1. Fully open tank valve by turning counterclockwise.</li> <li>2. Check fuel level and replace fuel if necessary.</li> <li>3. Turn off grill knobs, close the LP cylinder valve at top of cylinder and check the connection between the regulator valve and cylinder coupling. Disconnect and reconnect, if necessary.</li> <li>4. Clean the burner inlet (venturi) and burner as described by the Care and Maintenance section in the manual.</li> </ol> |

## LIMITED WARRANTY

---

### 1-Year Limited Warranty

This LP gas grill is warranted for 1 year (5 years on the Stainless Steel burners) against broken or damaged parts at the time of purchase. It is warranted to be free of defects. Paint is warranted to be free of defects except for rust, which may appear after repeated use.

This warranty does not cover damage or issues related to neglect, abuse, or modifications to the appliance. Repair labor is not covered.

All parts that meet the warranty requirements will be shipped at no charge via the discretion of the manufacturer (ground shipments, US Mail, or Parcel Post ONLY). Any special handling charges (i.e. Second Day, overnight, etc.) will be the responsibility of the consumer.

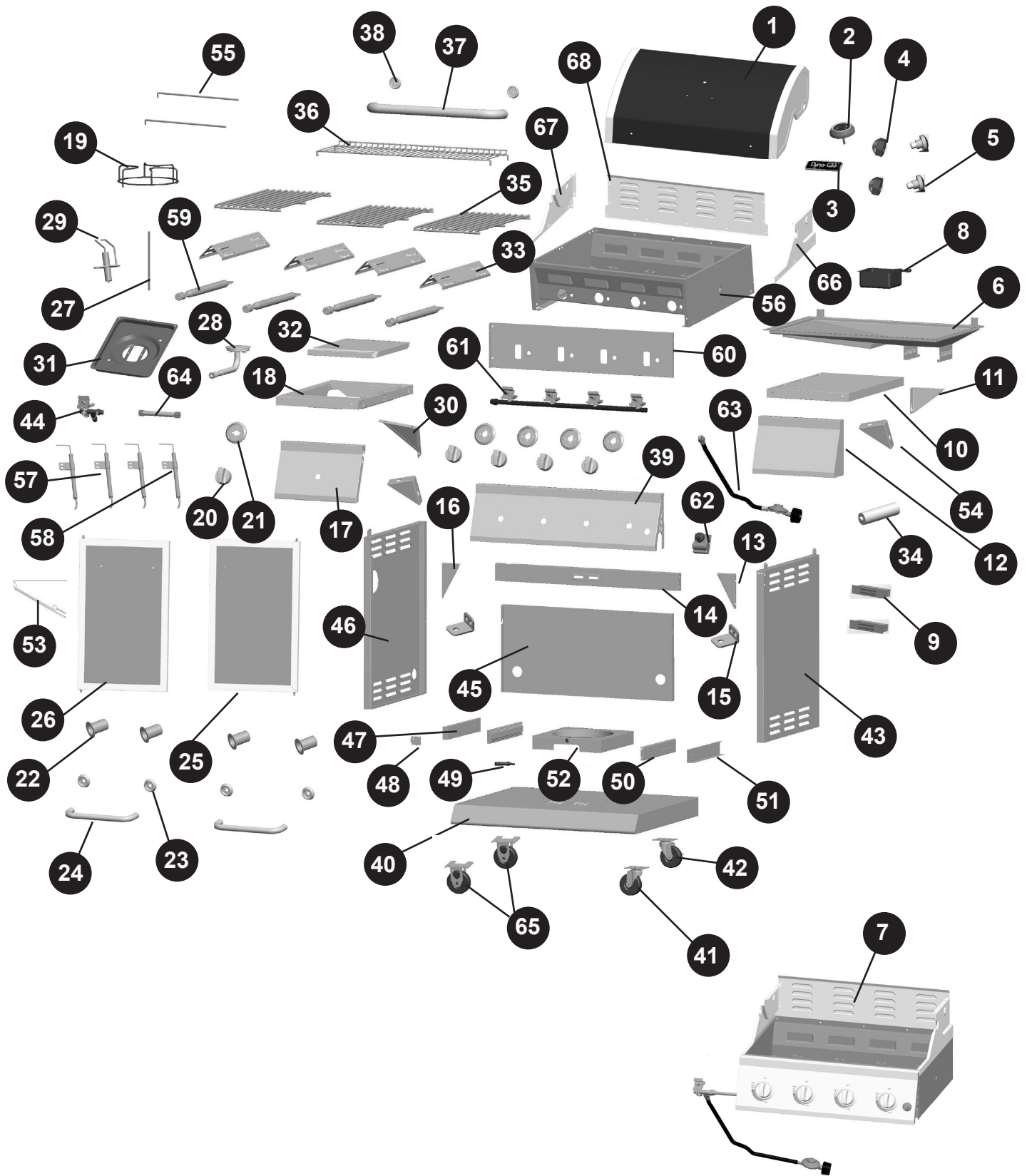
All warranty claims apply only to the original purchaser and require a proof of purchase verifying purchase date. Do not return parts without first obtaining a return authorization number from our customer service. This service is available by calling toll free 1-877-447-4768, 8:30 a.m. – 4:30 p.m., CST, Monday – Friday.

NOTICE: Some states do not allow the exclusion or limitation of incidental or consequential damages or limitations on how long an implied warranty lasts, so the above limitations or exclusions may not apply to you. This warranty gives you specific legal rights and you may also have other legal rights which may vary from state to state.

GHP Group Inc.  
6440 W. Howard Street  
Niles, IL, USA  
60714-3302

Item Name: 4-Burner LP Gas Grill with Side Burner  
Model #: M486BBDG14/M486BBDG14-D/ M486RDDG14/  
M486RDDG14-D/M486GMDG14/M486GMDG14-D  
Main burner total rated BTU: 40,000 BTU/Hr  
Side burner rated BTU: 12,000 BTU/Hr

# REPLACEMENT PARTS LIST



## REPLACEMENT PARTS LIST

For replacement parts, call our customer service department at 1-877-447-4768, 8:30 a.m. – 4:30 p.m., CST, Monday – Friday.

| PART | DESCRIPTION   | PART #      |
|------|---|-------------|
| 1    | Lid assembly - M486BBDG14/M486BBDG14-D                  | 106 - 02001 |
|      | Lid assembly - M486RDDG14/M486RDDG14-D                  | 106 - 02030 |
|      | Lid assembly - M486GMDG14/M486GMDG14-D                  | 106 - 02040 |
| 2    | Temp gage assembly                                      | 104 - 12005 |
| 3    | Badge   | 104 - 22006 |
| 4    | M6 screw with cap-specially secure lid pivot pin        | 104 - 12001 |
| 5    | Lid pivot pin   | 104 - 12002 |
| 6    | Grease pan assembly                                     | 106 - 04013 |
| 7    | Firebox assembly - includes lid bumpers                 | 167 - 03001 |
| 8    | Grease cup assembly                                     | 104 - 04014 |
| 9    | Door Magnet   | 104 - 14020 |
| 10   | Side table-right  | 105 - 04001 |
| 11   | Support for right side table                            | 105 - 04003 |
| 12   | Side table front panel assembly-right                   | 105 - 14001 |
| 13   | Right support for upper front door brace                | 166 - 14002 |
| 14   | Upper front door brace                                  | 166 - 04011 |
| 15   | Support for door pin                                    | 105 - 14024 |
| 16   | Left support for upper front door brace                 | 105 - 14025 |
| 17   | Side table front panel -left                            | 105 - 44001 |
| 18   | Left side burner assembly                               | 105 - 44002 |
| 19   | Side burner cooking grate                               | 105 - 44003 |
| 20   | Control knob  | 104 - 13010 |
| 21   | Control knob bezel                                      | 104 - 13009 |
| 22   | Door handle sleeve                                      | 104 - 14023 |
| 23   | Door handle bezel                                       | 104 - 14022 |
| 24   | Door handle   | 104 - 14021 |
| 25   | Door assembly-right-M486BBDG14/M486BBDG14-D             | 106 - 04020 |
|      | Door assembly-right-M486RDDG14/M486RDDG14-D             | 106 - 04030 |
|      | Door assembly-right-M486GMDG14/M486GMDG14-D             | 167 - 04020 |
| 26   | Door assembly-left-M486BBDG14/M486BBDG14-D              | 106 - 44020 |
|      | Door assembly-left-M486RDDG14/M486RDDG14-D              | 106 - 44030 |
|      | Door assembly-left-M486GMDG14/M486GMDG14-D              | 167 - 44020 |
| 27   | Ignition wire -side burner                              | 105 - 44004 |
| 28   | Side burner with venture tube-includes screw to attach. | 105 - 44005 |
| 29   | Ignition electrode assembly -side burner                | 105 - 44006 |
| 30   | Support for left side burner table                      | 105 - 44007 |
| 31   | Side burner soup plate                                  | 105 - 44008 |
| 32   | Side burner cover                                       | 105 - 44009 |
| 33   | Heat tent   | 105 - 13003 |
| 34   | AA battery (1.5V)                                       | 104 - 05002 |
| 35   | Cooking grate   | 166 - 13002 |
| 36   | Warming rack  | 167 - 13001 |
| 37   | Lid handle  | 106 - 12003 |
| 38   | Lid handle bezel  | 105 - 12004 |

## REPLACEMENT PARTS LIST

| PART | DESCRIPTION  | PART #      |
|------|--|-------------|
| 39   | Control panel assembly   | 106 - 13008 |
| 40   | Bottom shelf   | 166 - 04006 |
| 41   | Non-locking swivel caster (3") - Includes 4 screws/flat washers/spring washers | 105 - 04017 |
| 42   | Locking swivel caster (3")- Includes 4 screws/flat washers/spring washers      | 105 - 04019 |
| 43   | Cart side panel-right  | 105 - 04010 |
| 44   | Side burner valve and hose assembly  | 105 -13016  |
| 45   | Cart rear panel  | 166 - 04008 |
| 46   | Cart side panel-left   | 105 - 04009 |
| 47   | Tank shelf retaining plate A   | 105 - 34001 |
| 48   | Tank shelf rail locking plate  | 105 - 34002 |
| 49   | Cylinder retention screw   | 105 - 34003 |
| 50   | Rail   | 105 - 34004 |
| 51   | Tank shelf retaining plate B   | 105 - 34005 |
| 52   | Tank seat  | 105 - 34006 |
| 53   | Match holder-with chain and screw to attach                                    | 104 - 14024 |
| 54   | Side table front panel support-- triangle plate                                | 105 - 14003 |
| 55   | Side burner cover axis   | 105 - 44010 |
| 56   | Firebox assembly—welding structure   | 107 - 13005 |
| 57   | Main burner electric electrode assembly A-with long wire                       | 105 - 13012 |
| 58   | Main burner electric electrode assembly B-with short wire                      | 105 - 13017 |
| 59   | Main burner- with cotter pin   | 105 - 13011 |
| 60   | Front heat shield  | 106 - 05001 |
| 61   | Main valve and gas tube assembly   | 166 - 13006 |
| 62   | Electronic ignitor   | 166 - 13007 |
| 63   | Regulator and hose assembly  | 105 - 13014 |
| 64   | Corrugate pipe assembly  | 105 - 13028 |
| 65   | Directional caster(3")*  | 105 - 04018 |
| 66   | Firebox upper panel - right  | 105 - 13015 |
| 67   | Firebox upper panel - left   | 105 - 13004 |
| 68   | Firebox upper panel - rear   | 105 - 13029 |
| n/a  | Hardware pack  | 166 - 55001 |
| n/a  | Owner's/Instruction manual   | 70-10-038   |

\*Hardware Included



# Dyna-Glo™

## BARBECUE AU GAZ LP À 4 BRÛLEURS

Modele #M486BBDG14/M486BBDG14-D/M486RDDG14/  
M486RDDG14-D/M486GMDG14/M486GMDG14-D



C US

ANS Z21.58b- 2012

CSA 1.6b- 2012

Cuisine de plein air

Appareils à gaz

**JOIGNEZ VOTRE REÇU ICI**

Numéro de série \_\_\_\_\_ Date d'achat \_\_\_\_\_



**Des questions, des problèmes, des pièces manquantes?** Avant de retourner l'article au détaillant, appelez notre service à la clientèle au 1-877-447-4768, 08:30-16 heures 30, HNC, du lundi - vendredi ou par e-mail à [customerservice@ghpgroupinc.com](mailto:customerservice@ghpgroupinc.com).

## TABLE DES MATIÈRES

|                                      |    |
|--------------------------------------|----|
| Consignes de sécurité .....          | 35 |
| Contenu de l'emballage .....         | 37 |
| Quincaillerie incluse .....          | 38 |
| Préparation .....                    | 38 |
| Instructions pour l'assemblage ..... | 39 |
| Mode d'emploi .....                  | 51 |
| Entretien .....                      | 56 |
| Dépannage .....                      | 59 |
| Garantie .....                       | 61 |
| Liste des pièces de rechange .....   | 62 |

Assembleur ou installateur : Le présent manuel contient des renseignements importants qui permettent d'assembler l'appareil de façon adéquate et de l'utiliser en toute sécurité. Avant d'assembler et d'utiliser cet appareil, lisez et suivez tous les avertissements ainsi que toutes les instructions. **Remettez ces instructions au consommateur.**

Consommateur ou utilisateur : Lorsque vous utilisez cet appareil, suivez tous les avertissements et toutes les instructions. **Veillez conserver les présentes instructions aux fins de consultation ultérieure.**



### DANGER :

**S'il y a une odeur de gaz:**

- 1. Coupez l'admission de gaz de l'appareil.**
- 2. Éteindre toute flamme nue.**
- 3. Ouvrir le couvercle.**
- 4. Si l'odeur persiste, éloignez-vous de l'appareil et appelez immédiatement le fournisseur.**



### AVERTISSEMENT:

1. Ne pas entreposer ni utiliser de l'essence ni d'autres vapeurs ou liquides inflammables dans le voisinage de l'appareil, ni de tout autre appareil.
2. Une bouteille de propane qui n'est pas raccordée en vue de son utilisation, ne doit pas être entreposée dans le voisinage de cet appareil ou de tout autre appareil.
3. Ce barbecue est conçu pour usage à l'extérieur seulement. Ne pas utiliser ni entreposer la bouteille dans un bâtiment, un garage, un auvent ou un endroit fermé.
4. Ne laissez pas un barbecue allumé sans surveillance. Gardez le barbecue hors de la portée des enfants et des animaux en tout temps.

## CONSIGNES DE SÉCURITÉ

Assurez-vous de lire et de comprendre l'intégralité de ce manuel avant de tenter d'assembler, d'utiliser ou d'installer le produit. Si vous avez des questions concernant ce produit, veuillez téléphoner au service à la clientèle au 1-877-447-4768, 08:30-16 heures 30, HNC, du lundi - vendredi.

### DANGER

N'utilisez pas le barbecue dans un endroit présentant un risque d'explosion. Assurez-vous que l'espace autour du barbecue est propre et exempt de matériaux combustibles, d'essence et d'autres vapeurs ou liquides inflammables.

#### PROPOSITION 65 DE LA CALIFORNIE

Les combustibles utilisés dans les appareils de chauffage au gaz ou à l'huile, et les produits de combustion contiennent des produits chimiques reconnus par l'État de la Californie comme étant la cause de cancers et d'anomalies congénitales et d'autres problèmes liés aux fonctions reproductrices. Cet appareil contient des produits chimiques, notamment du plomb et des composés de plomb, reconnus par l'État de la Californie comme étant la cause de cancers, d'anomalies congénitales et d'autres problèmes liés aux fonctions reproductrices. **Lavez-vous les mains après l'avoir manipulé.**

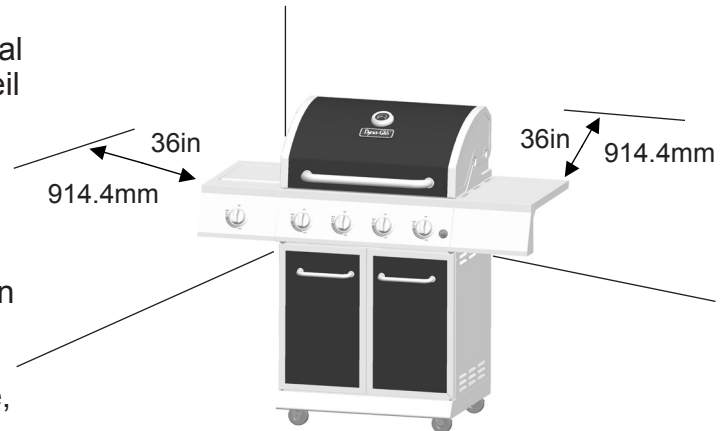
### MISE EN GARDE

- N'utilisez jamais de gaz d'allumage pour charbon de bois ou d'essence à briquet avec ce barbecue.
- N'utilisez pas d'essence, de kérosène ni d'alcool pour l'allumage.
- Ce barbecue n'est pas destiné à être utilisé ou installé sur un véhicule récréatif ou un bateau.
- Ouvrez toujours le couvercle du barbecue lentement et avec précaution, car la chaleur et la vapeur emprisonnées qui s'en échappent peuvent causer des brûlures graves.
- N'essayez jamais de faire fonctionner ce barbecue avec du propane.
- Demandez toujours à un service d'entretien autorisé d'installer toute la tuyauterie d'alimentation en gaz nécessaire, la vanne d'arrêt manuel et les raccords à branchement rapide.

## **! AVERTISSEMENT**

- Ne pas utiliser cet appareil sous une surface combustible ou un auvent. Dégagement minimal entre les parois latérales et l'arrière de l'appareil et la construction combustible (914,4 mm (36 po) à partir des parois latérales et 914,4 mm (36 po) à partir de l'arrière).

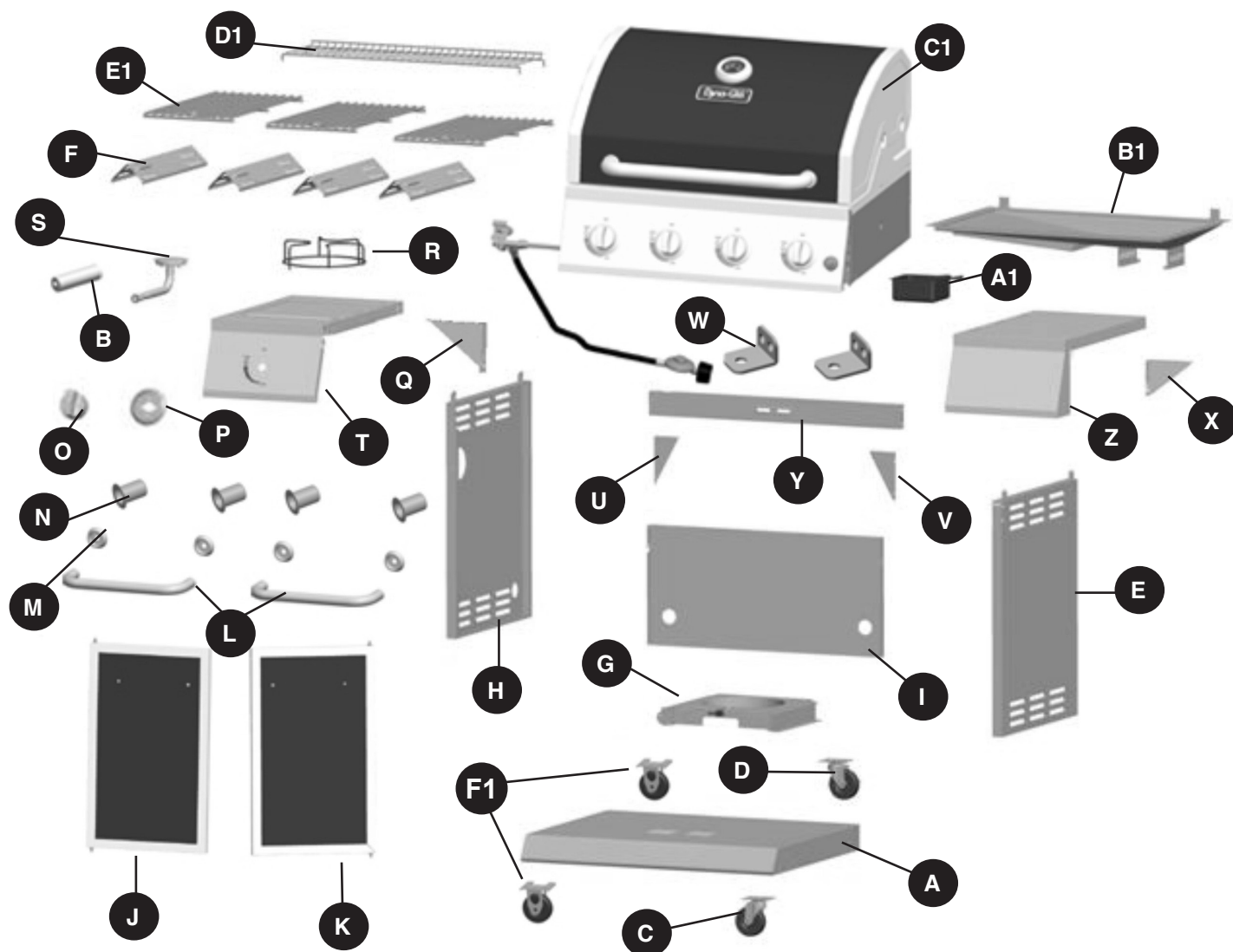
REMARQUE : L'installation doit être effectuée conformément à la réglementation locale ou, en l'absence d'une telle réglementation, au National Fuel Gas Code, ANSI Z223.1/NFPA 54, Natural Gas and Propane Installation Code, CSA B149.1, ou au Propane Storage and Handling Code, B149.2.



## **! MISE EN GARDE**

- Ne pas entreposer ni utiliser de l'essence ni d'autres vapeurs ou liquides inflammables dans le voisinage de l'appareil, ni de tout autre appareil. Ne rangez aucun produit inflammable dans le chariot du barbecue.
- Une bouteille de propane qui n'est pas raccordée en vue de son utilisation, ne doit pas être entreposée dans le voisinage de cet appareil ou de tout autre appareil.
- Ce barbecue est conçu pour être alimenté par du gaz naturel seulement.
- Ne tentez jamais de raccorder ce barbecue au système autonome d'alimentation en gaz propane d'un bateau d'une caravane, d'une autocaravane ou d'une résidence.
- Ne tentez jamais de déplacer le barbecue lorsqu'il est allumé ou toujours chaud. Verrouillez toujours les roulettes avec frein lorsque vous ne déplacez pas le barbecue.
- N'utilisez pas le barbecue tant qu'il n'est pas complètement assemblé et tant que toutes les pièces ne sont pas fixées et serrées solidement.
- Maintenez tout objet ou toute surface combustible à une distance d'au moins 91,44 cm (36 po) du barbecue, et ce, en tout temps.
- Ne touchez pas les éléments en métal du barbecue avant que celui-ci ne soit complètement refroidi (environ 45 minutes) afin d'éviter les brûlures, à moins d'utiliser des articles de protection (poignées, gants, mitaines pour le barbecue, etc.).
- Ne modifiez ce barbecue d'aucune façon.
- Nettoyez et inspectez le tuyau avant chaque utilisation. Si vous constatez des signes d'abrasion ou d'usure, ou s'il est coupé ou qu'il fuit, il est important de le remplacer avant de faire fonctionner l'appareil. Vous devez utiliser l'ensemble de tuyau de remplacement précisé par le fabricant, lequel est indiqué dans la liste des pièces de rechange de ce manuel.
- Éloignez les tuyaux à gaz le plus loin possible des surfaces chaudes ou des débordements de graisse chaude.
- Assurez-vous que le compartiment du robinet du barbecue, ses brûleurs et les conduits d'aération sont toujours propres. Inspectez le barbecue avant chaque utilisation. N'entravez pas le flux de gaz ou d'air de la ventilation.
- L'alcool, les médicaments sous ordonnance et les médicaments vendus sans ordonnance peuvent affecter les facultés de l'utilisateur, l'empêchant d'assembler ce barbecue correctement ou de l'utiliser de manière sécuritaire.
- Ne laissez pas un barbecue allumé sans surveillance. Gardez le barbecue hors de la portée des enfants et des animaux en tout temps.
- Ne le placez pas sur une table. Placez le barbecue sur une surface plane.
- N'utilisez pas ce barbecue dans des conditions de grands vents.

## CONTENU DE L'EMBALLAGE



| PIÈCE | DESCRIPTION                        | QTÉ |
|-------|------------------------------------|-----|
| A     | Tablette du bas                    | 1   |
| B     | Pile AA (1.5V)                     | 1   |
| C     | Roulette sans verrou               | 1   |
| D     | Roulette à verrou                  | 1   |
| E     | Panneau droit du charriot          | 1   |
| F     | Tentes de chaleur                  | 4   |
| G     | Tablette réservoir                 | 1   |
| H     | Panier panneau latéral gauche      | 1   |
| I     | Panneau arrière Panier             | 1   |
| J     | Ensemble de porte gauche           | 1   |
| K     | Assemblage de la porte droite      | 1   |
| L     | Poignée de porte                   | 2   |
| M     | Lunette poignée de porte           | 4   |
| N     | Manches poignée de porte           | 4   |
| O     | Bouton commande du brûleur latéral | 1   |
| P     | Brûleur Bouton de commande lunette | 1   |

| PIÈCE | DESCRIPTION                              | QTÉ |
|-------|--|-----|
| Q     | Gauche support table brûleur latéral     | 1   |
| R     | Cuisson du brûleur latéral               | 1   |
| S     | Assemblée brûleur latéral                | 1   |
| T     | Assemblée tableau du brûleur latéral     | 1   |
| U     | Support gauche-renfort haut de la porte  | 1   |
| V     | Support droit - renfort haut de la porte | 1   |
| W     | Support pivot de porte                   | 2   |
| X     | Support droit table                      | 1   |
| Y     | Supérieure Renfort de porte avant        | 1   |
| Z     | Assemblage de la table côté droit        | 1   |
| A1    | Récipient à graisse                      | 1   |
| B1    | Plateau de graisse                       | 1   |
| C1    | Cadre du barbecue                        | 1   |
| D1    | Grille de réchauffement                  | 1   |
| E1    | Grille de cuisson                        | 3   |
| F1    | Roulette directionnelle                  | 2   |

## QUINCAILLERIE INCLUSE (grandeur réelle)

|   |   |   |  |   |
|---|---|---|--|---|
|  |  |  |  |  |
|   |  |  |  |  |
| Vis M6<br>de 12 mm  | Vis M6<br>de 12 mm  | Rondelle<br>ordinaire   | Rondelle à<br>ressort  | Vis M4<br>de 12 mm  |
| Qté : 41  | Qté : 4   | Qté : 26  | Qté : 16   | Qté : 28  |

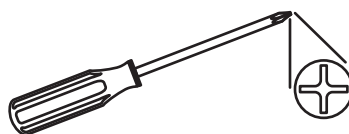
REMARQUE :  
Préassemblée  
à la poignée  
de porte.

## PRÉPARATION

Avant de commencer l'assemblage du produit, assurez-vous d'avoir toutes les pièces. Comparez les pièces dans l'emballage avec la liste des pièces de la page précédente et la quincaillerie indiquée ci-dessus. S'il y a des pièces manquantes ou endommagées, ne tentez pas d'assembler le produit. Communiquez avec le service à la clientèle pour obtenir des pièces de rechange.

**Temps d'assemblage approximatif** : 50 minutes, par deux personnes

**Outils nécessaires pour l'assemblage et la vérification des fuites (non inclus)** : tournevis cruciforme et vaporisateur



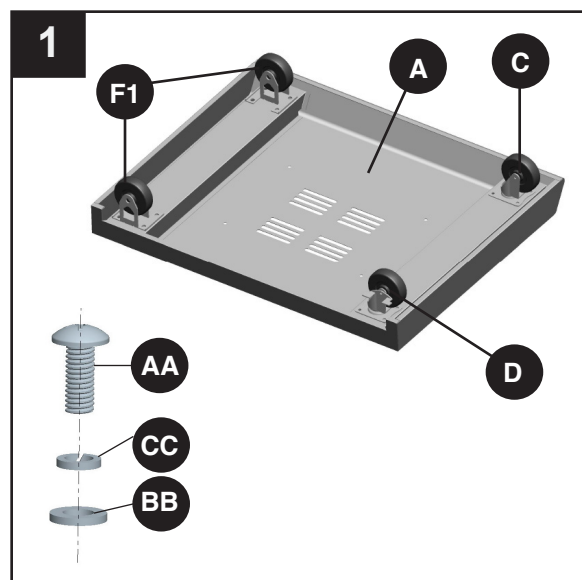
## ⚠ MISE EN GARDE

**CET ARTICLE EST LOURD. DEUX PERSONNES SONT NÉCESSAIRES POUR ASSEMBLER L'ARTICLE EN TOUTE SÉCURITÉ.**

Deux personnes sont nécessaires pour l'assembler en toute sécurité. Soyez prudent, car certaines pièces peuvent avoir des bords coupants. Au besoin, portez des gants protecteurs. Lisez et respectez tous les énoncés sur la sécurité et les avertissements, et suivez toutes les instructions pour l'assemblage ainsi que la section sur l'entretien de l'article avant de tenter d'assembler et d'utiliser cet article.

## INSTRUCTIONS POUR L'ASSEMBLAGE

1. Assemblez les roulettes, dont 2 roulettes directionnelles (F1) et les 1 roulettes orientables (B), 1 roulette sans verrou (C), 1 roulette à verrou (D) sur l'étagère du bas (A) avec 4 vis M6 (AA), rondelle plate (BB) et rondelle à ressort (CC). Tel qu'illustré ci-bas.



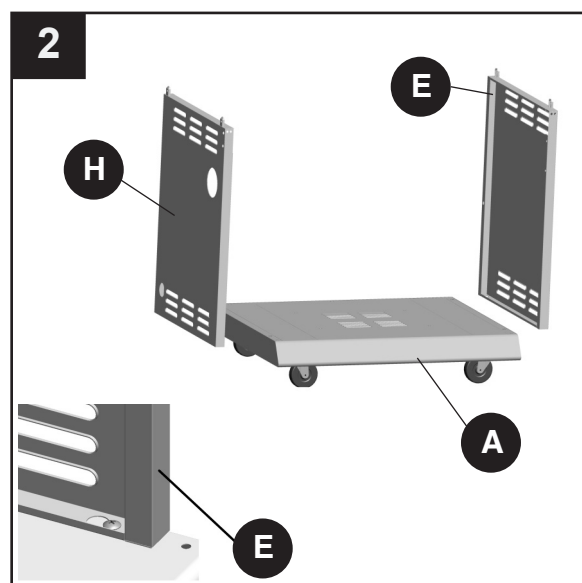
### Quincaillerie utilisée

|           |                    |  |      |
|-----------|--------------------|--|------|
| <b>AA</b> | Vis M6 de 12 mm    |  | x 16 |
| <b>BB</b> | Rondelle ordinaire |  | x 16 |
| <b>CC</b> | Rondelle à ressort |  | x 16 |

2. Insérez 4 vis (AA) dans les trous de l'étagère du bas (A). Laissez un écart de 4-6mm entre la tête de vis et l'étagère du bas (A). Installez le panneau gauche (H) en plaçant le trou de serrure sur la tête de vis (AA) sur le côté gauche de l'étagère du bas (A), glissez le panneau gauche du charriot (H) de manière à placer la tête de vis au-dessus de la petite section du trou de serrure. Insérez la vis (AA), mais ne la serrez pas complètement à ce stade-ci. Faites la même chose avec le panneau droit du charriot (E).

### Quincaillerie utilisée

|           |                 |  |     |
|-----------|-----------------|--|-----|
| <b>AA</b> | Vis M6 de 12 mm |  | x 4 |
|-----------|-----------------|--|-----|





## INSTRUCTIONS POUR L'ASSEMBLAGE

3. Insérez une vis (AA) dans les trous à l'arrière du panneau gauche et panneau droit du charriot (H&E). Laissez un écart de 4-6mm entre la tête de la vis et les panneaux latéraux (H&E). Fixez le panneau arrière du charriot (I) en glissant les trous de serrure du panneau arrière dans les vis et en appuyant. Fixez le panneau arrière (I) à l'étagère du bas (A) avec 3 vis (AA). Serrez les 2 vis sur les panneaux latéraux (H&E).

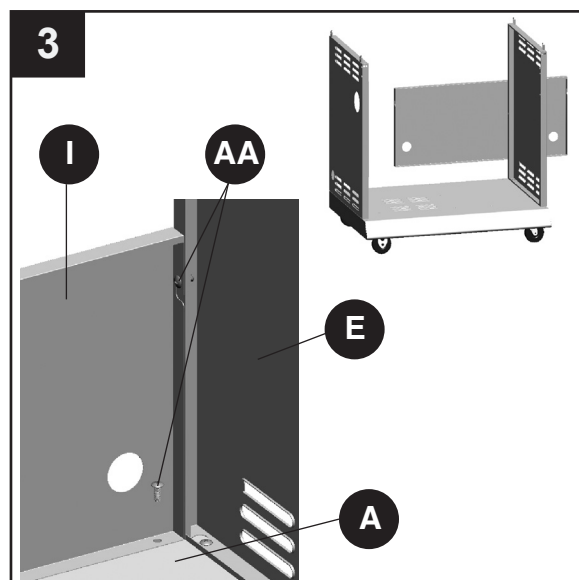
### Quincaillerie utilisée

AA

Vis M6  
de 12 mm



x 5



4. Alignez le renfort supérieur de la porte avant (Y) aux trous 1 du panneau gauche du charriot (H). Fixez le renfort supérieur de la porte 2 avec 2 vis (AA). Faites la même chose avec le renfort supérieur de la porte (Y) et le panneau droit (E).

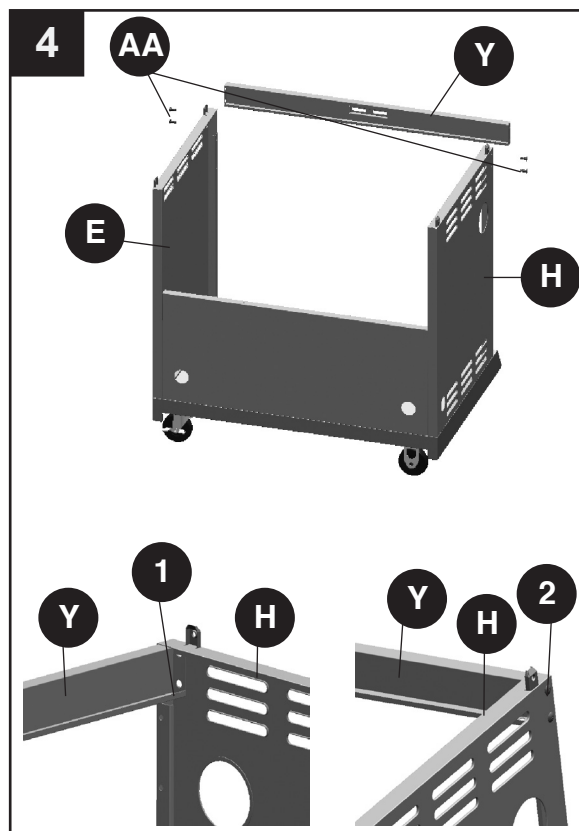
### Quincaillerie utilisée

AA

Vis M6  
de 12 mm



x 4





## INSTRUCTIONS POUR L'ASSEMBLAGE

5. Insérez 2 vis (DD) sur le rebord gauche en haut du renfort de la porte (Y), mais ne serrez pas. Laissez un écart de 4-6mm entre la tête de la vis et le bas du renfort de la porte avant (Y). Fixez le support du renfort supérieur de la porte avant (U) dans les vis. Faites tenir avec 2 autres vis (DD) et serrez les toutes (DD). Faites la même chose avec le support du renfort supérieur de la porte avant (V).

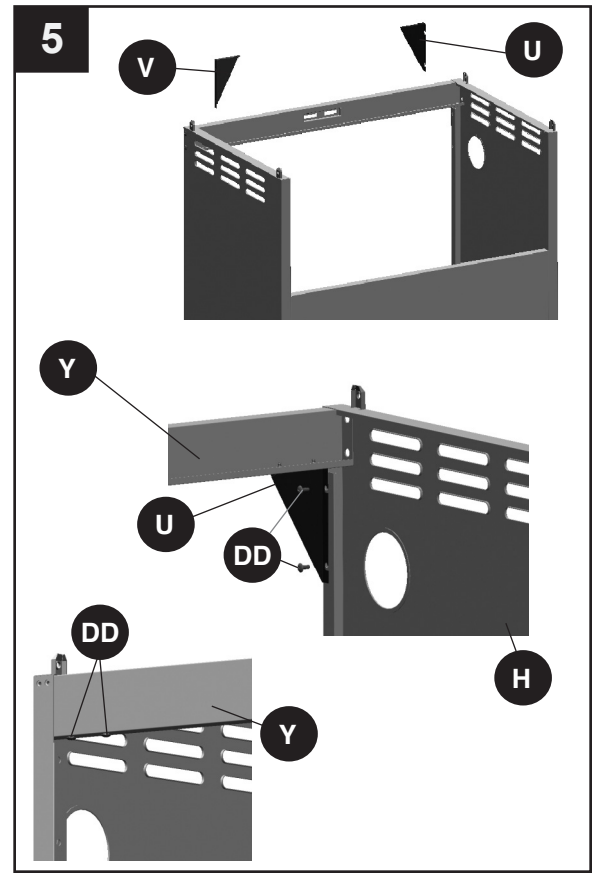
### Quincaillerie utilisée

**DD**

Vis M4  
de 12 mm



x 8



6. Enlevez les 2 vis (AA) et la ferrure de la poignée de porte (N) de la poignée (L). Insérez les 2 ferrures (N) dans les trous à l'arrière de l'assemblage de la porte (J). Insérez 2 vis (AA) dans la ferrure de poignée (N) à travers le chanfrein de la poignée (M), et dans les trous des poignées (L). Serrez les vis. Tel qu'illustré ci-bas. Faites la même chose avec l'assemblage de la porte droite.

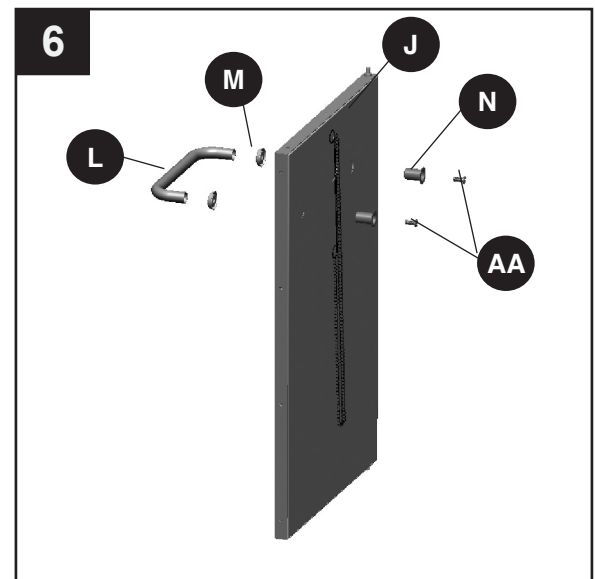
### Quincaillerie utilisée

**AA**

Vis M6  
de 12 mm



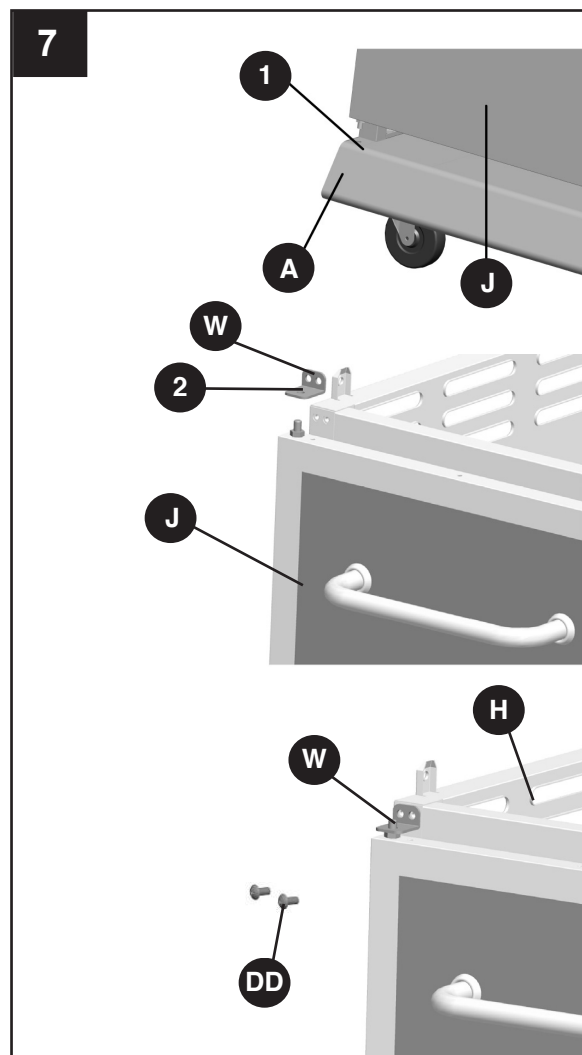
x 4



## INSTRUCTIONS POUR L'ASSEMBLAGE

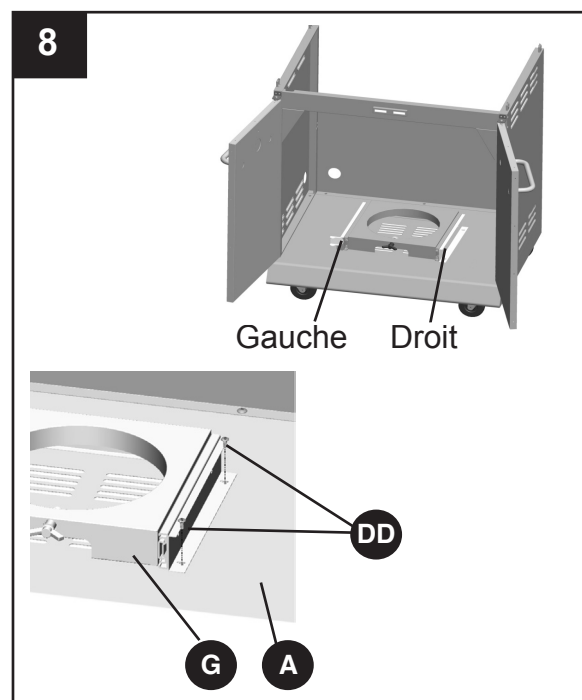
7. Insérez l'axe du bas de l'assemblage de la porte gauche (J) dans le trou (1) de l'étagère du bas. Insérez l'axe du haut de l'assemblage de la porte gauche (J) dans le trou du pivot de porte (W). Fixez le support du pivot de porte (W) au panneau gauche du charriot (H) avec 2 vis (DD). Faites la même chose avec la porte droite (K).

### Quincaillerie utilisée



8. Placez avec prudence l'étagère du réservoir (G) sur l'étagère du bas (A). Fixez le côté droit de l'étagère du réservoir (G) à l'étagère du bas (A) avec 2 vis (DD). Serrez les vis. Faites la même chose avec le côté gauche de l'étagère (G).



### Quincaillerie utilisée

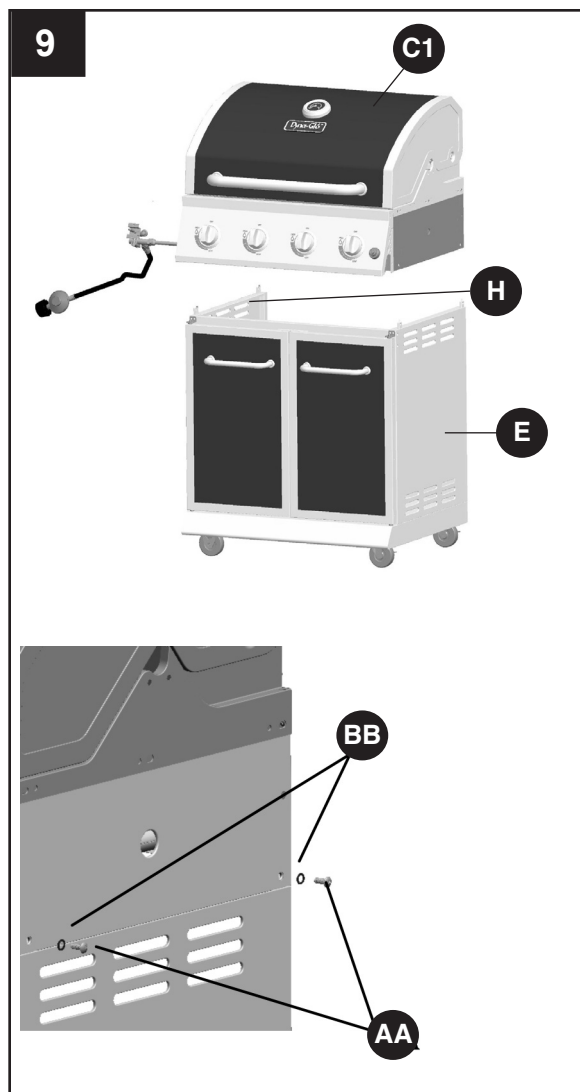


## INSTRUCTIONS POUR L'ASSEMBLAGE

9. Installez prudemment le cadre du barbecue (C1) sur le panneau gauche et le panneau droit du charriot (H&E). Ajustez le cadre du barbecue (C1) afin que les trous du cadre (C1) soient alignés avec les trous des languettes des panneaux latéraux du charriot (H&E).  
NOTE: Soyez certain que l'assemblage (tuyau/régulateur de gaz) est à l'extérieur du charriot. Fixez le cadre du barbecue (C1) avec 2 vis (AA) et rondelle plate (BB) de chaque côté.

### Quincaillerie utilisée

|           |                    |   |     |
|-----------|--------------------|---|-----|
| <b>AA</b> | Vis M6 de 12 mm    |  | x 4 |
| <b>BB</b> | Rondelle ordinaire |  | x 4 |

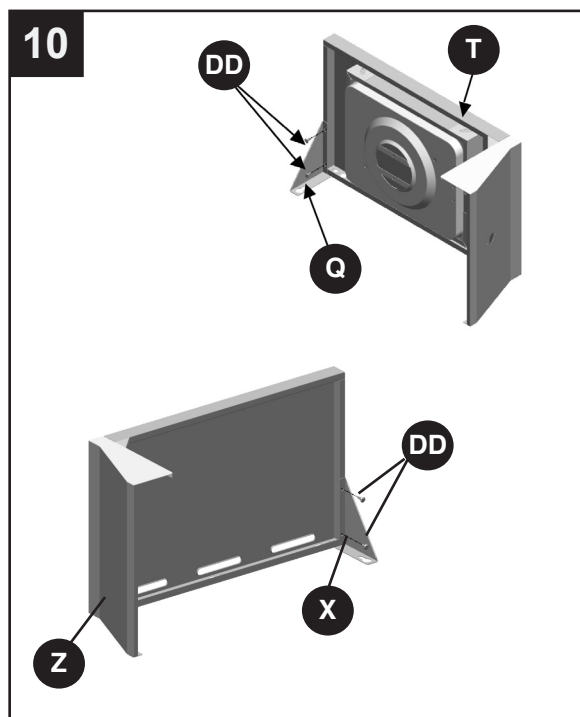


10. Fixez le côté gauche de la table du brûleur (Q) à l'assemblage du côté gauche de la table du brûleur (T) avec 2 vis (DD).

Fixez le côté droit de la table du brûleur (X) à l'assemblage du côté droit de la table du brûleur (Z) avec 2 vis (DD).

### Quincaillerie utilisée



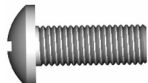
|           |                 |   |     |
|-----------|-----------------|---|-----|
| <b>DD</b> | Vis M4 de 12 mm |  | x 4 |
|-----------|-----------------|---|-----|

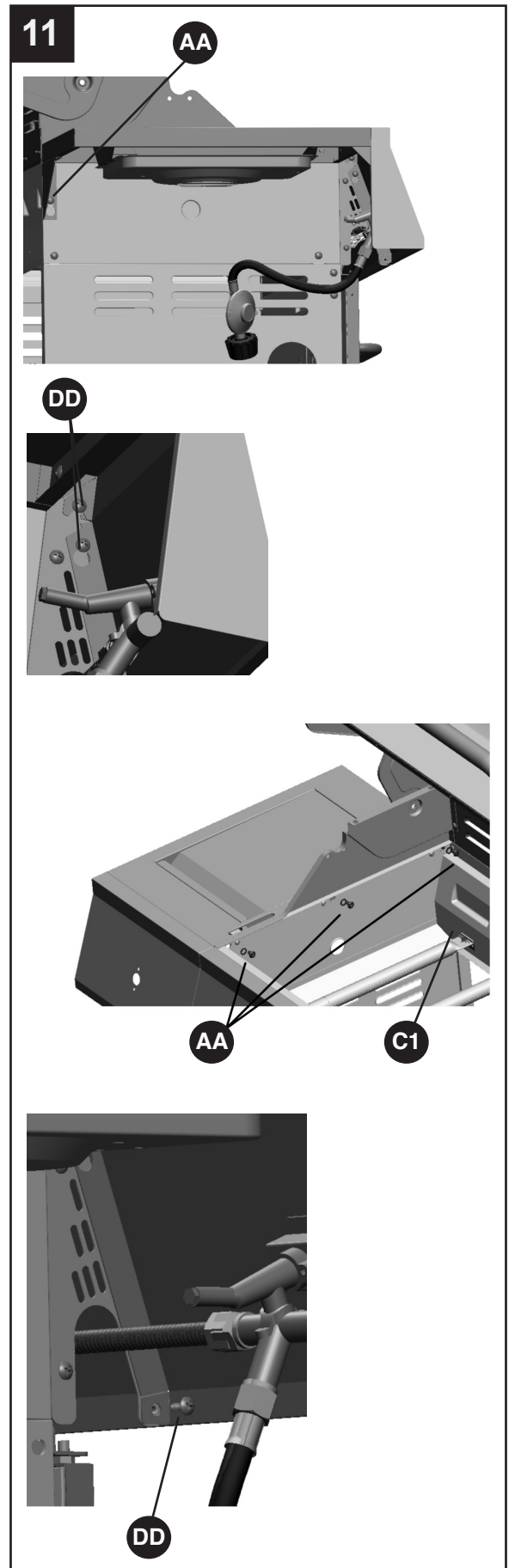


## INSTRUCTIONS POUR L'ASSEMBLAGE

11. Insérez 1 paq. M6x12 vis (AA) et 2 paq. M4x12 vis (DD) au cadre du barbecue (C1). Laissez un écart de 4-6mm entre la tête de vis et le cadre du barbecue (C1). Alignez le côté gauche de l'assemblage de la table du brûleur (T) aux 3 vis insérées. Insérez 3 vis (AA) et des rondelles plates (BB) dans les trous du cadre du barbecue (C1) jusqu'à l'assemblage gauche de la table du brûleur (T). Fixez avec 1 vis (DD). Ajustez l'assemblage gauche de la table du brûleur (T), et serrez toutes les vis.

### Quincaillerie utilisée

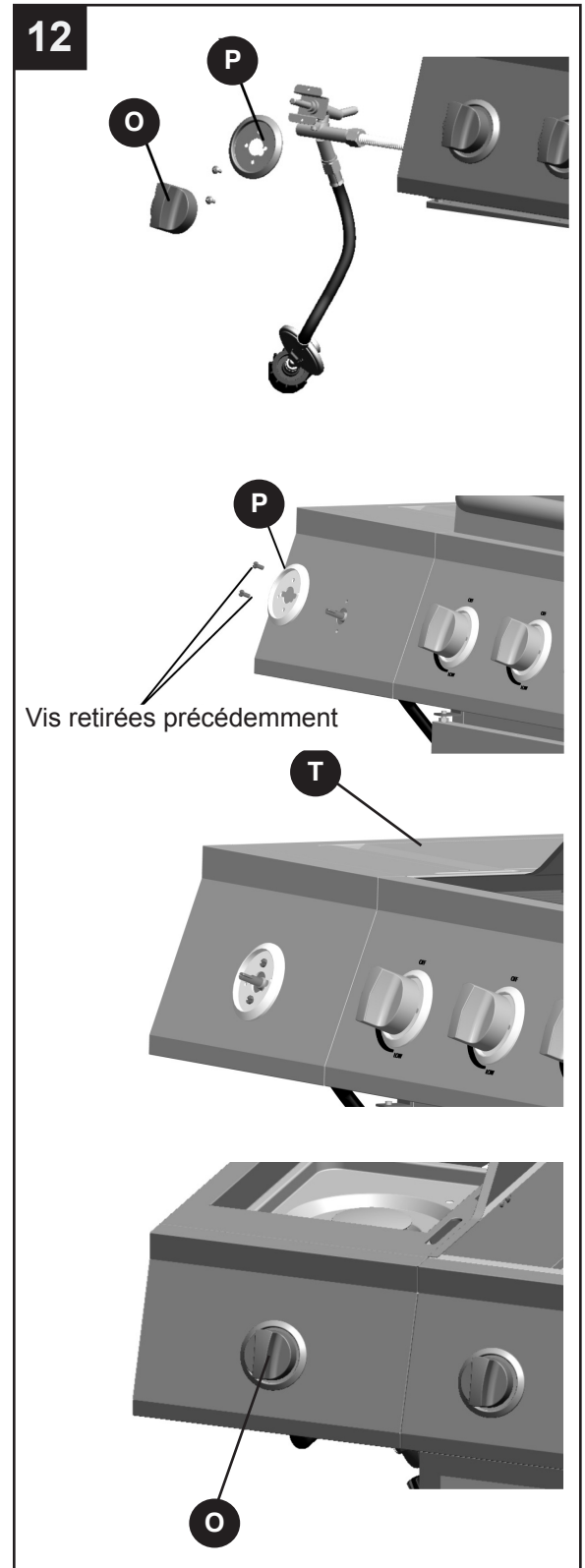
|           |                       |  |     |
|-----------|-----------------------|--|-----|
| <b>AA</b> | Vis M6<br>de 12 mm    |   | x 4 |
| <b>BB</b> | Rondelle<br>ordinaire |   | x 3 |
| <b>DD</b> | Vis M4<br>de 12 mm    |  | x 3 |



## INSTRUCTIONS POUR L'ASSEMBLAGE

12. Retirer pré-assemblés 2 vis de la support dans la valve du brûleur latéral. Enlevez le bouton de réglage du brûleur du côté (O) et le chanfrein du bouton de réglage du brûleur du côté (P) de l'assemblage de la valve du brûleur du côté. Fixez l'assemblage de la valve du brûleur du côté et le chanfrein du bouton de réglage du brûleur du côté (P) à la table du côté en plaçant l'assemblage de la valve du brûleur du côté en-dessous de la table du côté et en glissant la tige de la soupape dans le trou vers l'avant de la table du côté et tenez-la. Placez le chanfrein du bouton de réglage du brûleur du côté (P) au-dessus de la tige de la soupape à l'extérieur de la table du côté vers l'avant, alignez les trous du chanfrein aux trous de l'assemblage de la soupape.

Faites tenir en fixant les vis enlevées préalablement. Serrez les vis. Glissez le bouton de réglage du brûleur du côté (O) sur la tige de la soupape.

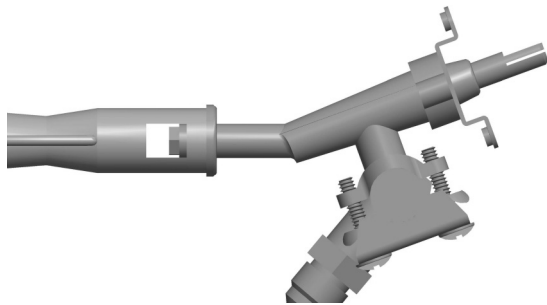


## INSTRUCTIONS POUR L'ASSEMBLAGE

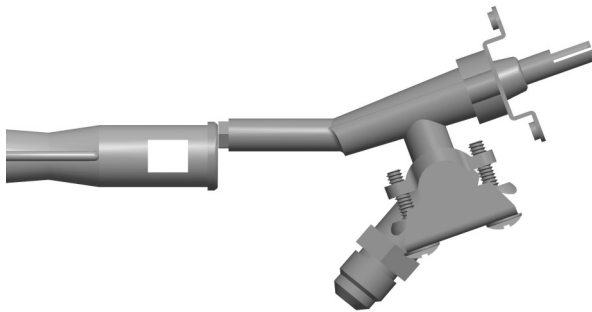
13. Fixez l'assemblage du brûleur du côté (S) à l'assemblage gauche de la table du brûleur (T) avec 2 vis (DD). Soyez certain que le trou du brûleur du côté est sur le tuyau d'admission de gaz du brûleur du côté.

Installez le fil d'allumage au jeu d'électrodes.

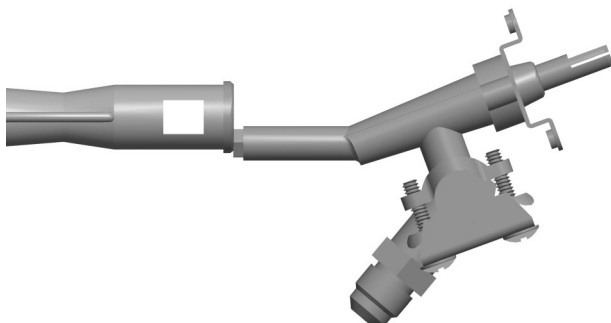
### Quincaillerie utilisée



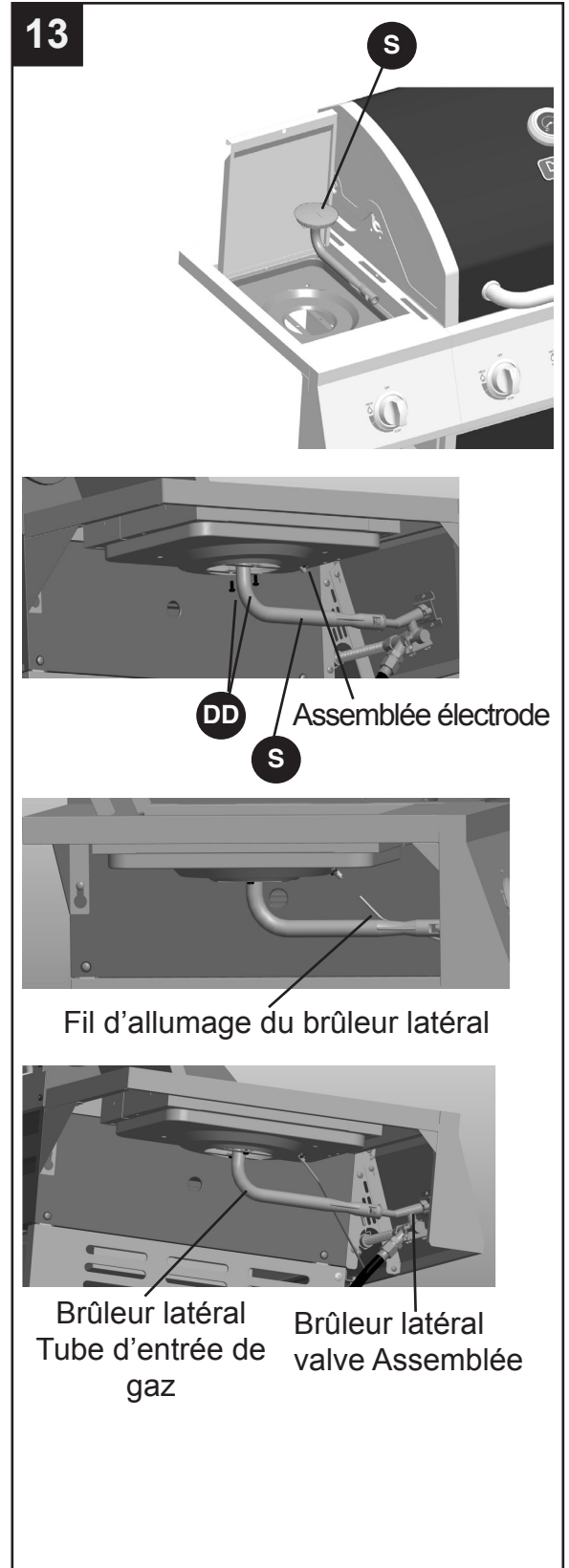
Corrigez



Mal






Mal



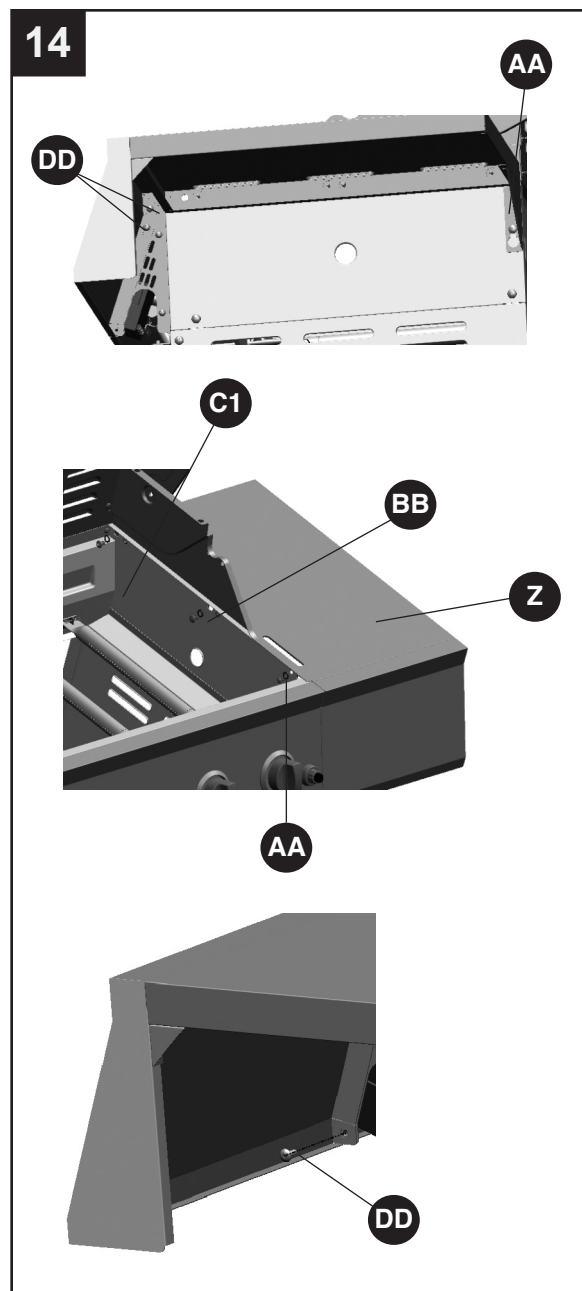
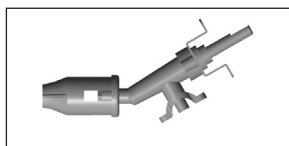
## INSTRUCTIONS POUR L'ASSEMBLAGE

14. Insérez 1 paq. M6x12 vis (AA) et 2 paq. M4x12 vis (DD) au cadre du barbecue (C1). Laissez un écart de 4-6mm entre la tête de vis et le cadre du barbecue (C1). Alignez le côté gauche de l'assemblage de la table du brûleur (T) aux 3 vis insérées. Insérez 3 vis (AA) et des rondelles plates (BB) dans les trous du cadre du barbecue (C1) jusqu'à l'assemblage gauche de la table du brûleur (T). Fixez avec 1 vis (DD). Ajustez l'assemblage gauche de la table du brûleur (T), et serrez toutes les vis.

### Quincaillerie utilisée

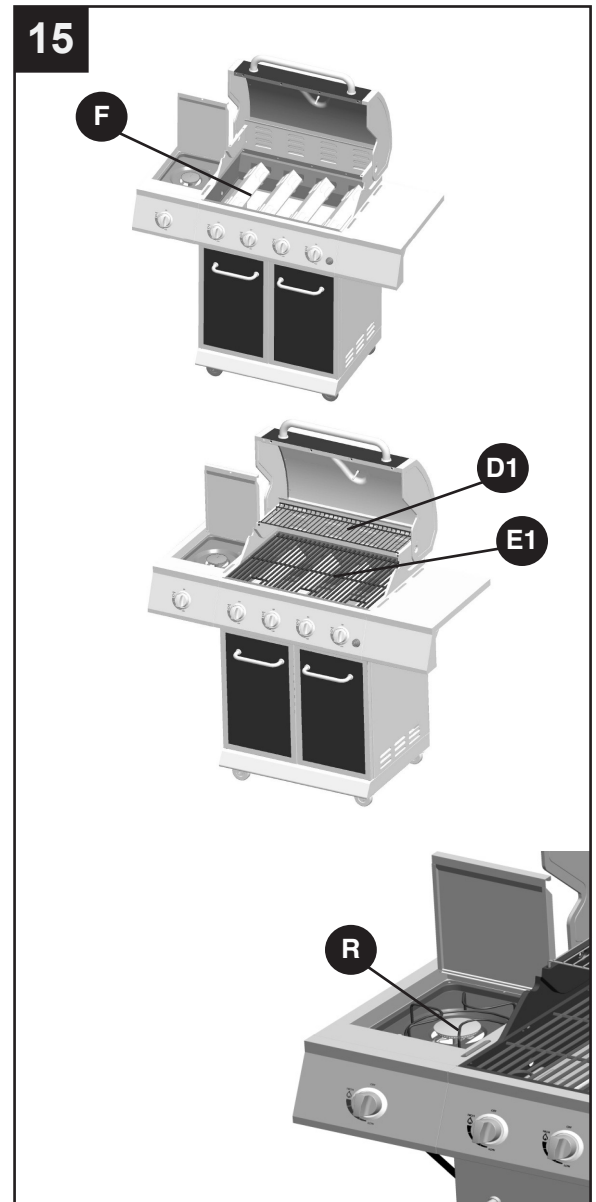
|           |                    |  |     |
|-----------|--------------------|--|-----|
| <b>AA</b> | Vis M6 de 12 mm    |   | x 4 |
| <b>BB</b> | Rondelle ordinaire |   | x 3 |
| <b>DD</b> | Vis M4 de 12 mm    |  | x 3 |

**!** **AVERTISSEMENT** : IL EST TRÈS IMPORTANT DE S'ASSURER QUE CHACUN DES BRÛLEURS EST COMPLÈTEMENT INSÉRÉ DANS L'ORIFICE DU ROBINET ADJACENT AVANT DE PASSER À L'ÉTAPE 15. LE NON-RESPECT DE CETTE CONSIGNE POURRAIT ENTRAÎNER UN INCENDIE OU UNE EXPLOSION, CE QUI POURRAIT CAUSER DES BLESSURES GRAVES, VOIRE LA MORT. CONSULTEZ LES INSTRUCTIONS DE LA SECTION ENTRETIEN INDICANT LA FAÇON ADÉQUATE DE VÉRIFIER SI LES BRÛLEURS SONT INSÉRÉS.

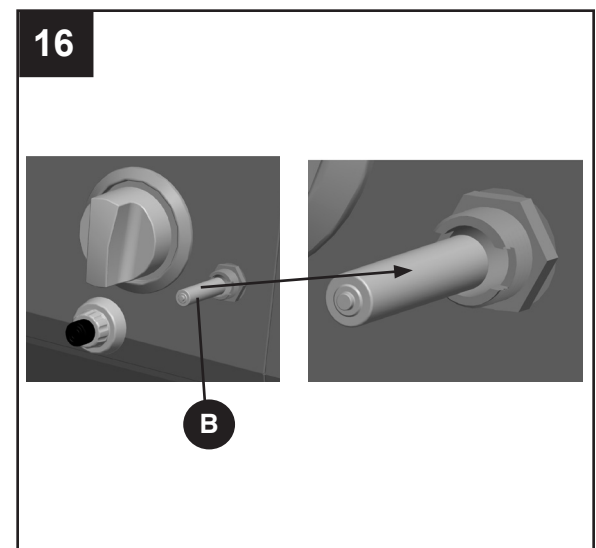


## INSTRUCTIONS POUR L'ASSEMBLAGE

15. Ouvrez le couvercle, placez 5 tentes de chaleur (F), 3 grilles de cuisson (E1) et 1 grille de réchauffement (D1) à l'intérieur du cadre du barbecue (C1). Placez la grille de cuisson du brûleur du côté (R) sur la table du brûleur gauche (T). Installez la grille de réchauffement (D1) dans les quatre trous de chaque côté du cadre du barbecue.



16. Enlevez le capuchon de l'allumeur, insérez pile AA (B) dans l'allumeur. La borne (+) vers l'extérieur. Remettez le capuchon de l'allumeur.

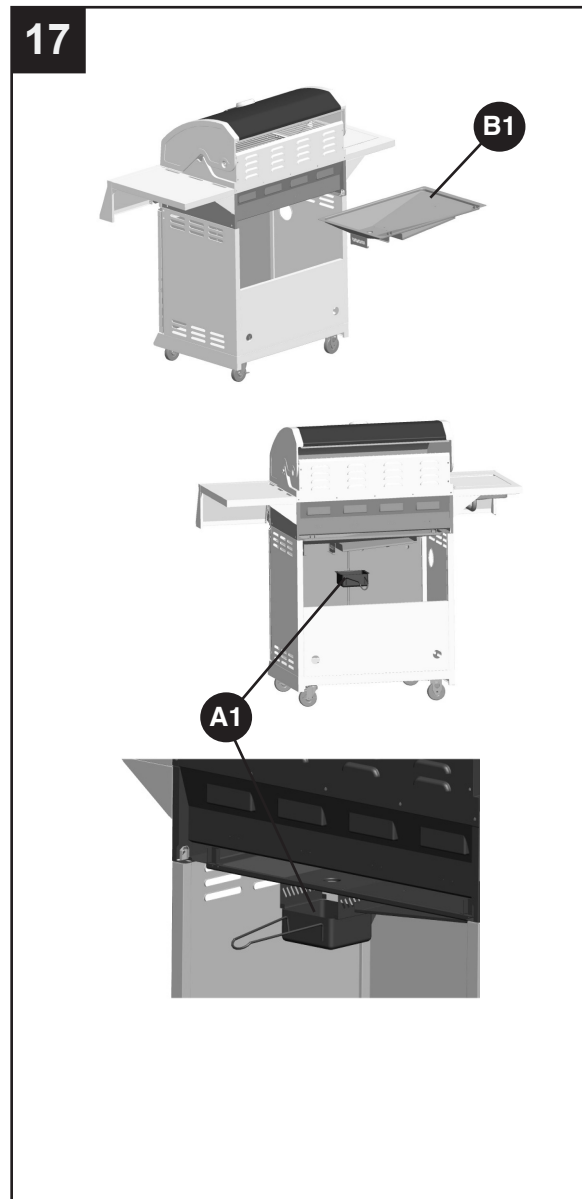




## INSTRUCTIONS POUR L'ASSEMBLAGE

17. Installez le plateau à graisse (B1) en le glissant dans le cadre du barbecue par l'arrière. Tel qu'illustré ci-bas. Le long des barres situées juste au-dessous du bas du cadre du barbecue.

NOTE: Faites attention, il ne faut pas glisser le plateau dans le sens opposé. Insérez le récipient à graisse (A1) en le glissant sur la rail sous le plateau de graisse, tel qu'illustré ci-bas.



## INSTRUCTIONS POUR L'ASSEMBLAGE

18. Ouvrez la porte du charriot (J&K) insérez l'assemblage tuyau/régulateur dans le charriot à travers le trou du panneau gauche du charriot (H). Retirez l'étagère du réservoir (G) du charriot, placez le cylindre de gaz (vendu séparément) sur l'étagère du réservoir (G). Tournez le cylindre de gaz afin de pouvoir installer facilement le raccord tuyau/régulateur à la valve du cylindre GPL. Serrez à la main la bride de fixation tuyau/régulateur à la valve fileté du cylindre de gaz GPL. Serrez le boulon de retenue du cylindre de gaz. Faites glisser l'étagère du réservoir (G) dans le charriot et faites la tenir en plaçant la plaque de verrouillage de la barre de l'étagère du réservoir par dessus et devant l'étagère du réservoir (G).

Entièrement assemblé

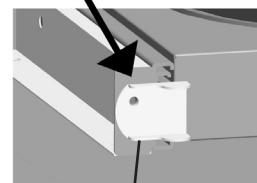
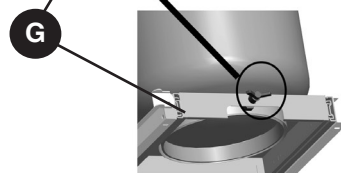
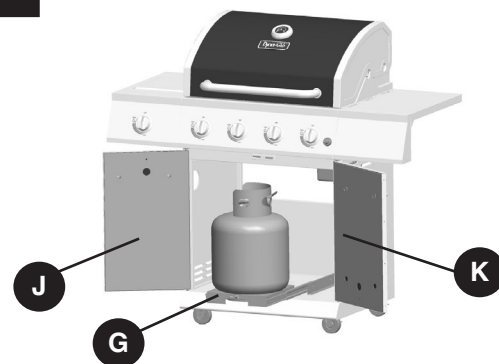


Vue avant



Vue arrière

18



Étagère  
réservoir de  
verrouillage  
ferroviaire  
plaque

### DÉTECTION DES FUITES

Après avoir fait tous les branchements, vérifiez s'il y a des fuites en vaporisant de l'eau savonneuse sur le robinet du réservoir de propane liquéfié, le tuyau de gaz et le régulateur.

Pour prévenir les incendies ou les explosions lorsque vous tentez de détecter les fuites :

- Procédez toujours à la détection des fuites avant d'allumer le barbecue.
- Ne fumez pas lorsque vous vérifiez la présence de fuites.
- Procédez toujours à la détection des fuites à l'extérieur, dans un endroit bien aéré.
- N'utilisez aucune source de flamme lorsque vous vérifiez la présence de fuites.
- N'utilisez pas le barbecue tant que toutes les fuites n'ont pas été colmatées.
- Si vous ne pouvez colmater une fuite, débranchez immédiatement l'alimentation et appelez un service de réparation d'appareils.

### VÉRIFICATION DES FUITES

- Préparez une solution afin de procéder à la vérification des fuites; mélangez une part de savon à vaisselle liquide et trois parts d'eau. Vous aurez besoin d'environ 70 à 90 ml (2 à 3 oz) de liquide. Versez la solution en question dans un vaporisateur.
- Assurez-vous que tous les boutons de commande sont à la position arrêt.
- Ouvrez le robinet du réservoir de propane liquéfié.
- Vaporisez la solution sur tous les branchements et les raccords dans lesquels circule du gaz. La présence de bulles à un endroit où vous avez appliqué la solution d'eau savonneuse indique une fuite de gaz. Si vous détectez ou entendez une fuite, ou si vous sentez une odeur de gaz, fermez le réservoir de propane liquéfié immédiatement et réparez la fuite ou remplacez la pièce défectueuse. N'utilisez pas le barbecue tant que toutes les fuites n'ont pas été colmatées.

## MISE EN GARDE

**Utilisez uniquement l'ensemble régulateur et tuyau fourni!** Si vous avez besoin d'une pièce de rechange, communiquez avec le service à la clientèle. N'utilisez pas de pièces de rechange qui ne sont pas conçues pour ce barbecue.

## AVERTISSEMENT

**TOUTES LES INSTRUCTIONS ET MESURES DE SAUVEGARDE SUR CETTE PAGE DOIVENT ÊTRE SUIVIES POUR PRÉVENTION INCENDIE, DOMMAGES ET / OU DE BLESSURES.**

### RACCORD DE LA BOUTEILLE DE GAZ

La bouteille de propane liquéfié utilisée doit être fabriquée et identifiée conformément aux normes pour les bouteilles de propane liquéfié du Specifications for LP Gas Cylinders of the U.S. Department of Transportation (D.O.T.) or the National Standard of Canada, CAN/CSA-B339, Cylinders, Spheres and Tubes for Transportation of Dangerous Goods; and Commission, le cas échéant, et munie d'un dispositif de protection contre les débordements.

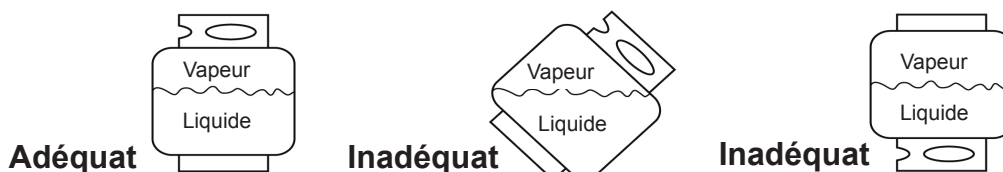
Utilisez seulement une bouteille de 9,07 kg (hauteur de 45,99 cm, diamètre de la bouteille de 24,99 cm, diamètre du pied de 20,4 cm) dotée d'un dispositif de raccord de bouteille compatible avec le raccord des appareils de cuisson à l'extérieur. La bouteille doit comporter un collet protecteur pour le robinet. Prenez soin de ne pas échapper la bouteille de gaz ni la manipuler rudement!

Déconnectez la bouteille de gaz lorsque l'appareil n'est pas utilisé. Il est permis d'entreposer l'appareil à l'intérieur UNIQUEMENT si la bouteille de gaz est déconnectée et retirée de l'appareil. La bouteille doit être entreposée à l'extérieur et placée hors de la portée des enfants. Elle ne doit pas être entreposée dans un immeuble, un garage ou tout autre espace clos. Il ne faut jamais l'entreposer dans un endroit où la température peut excéder 51,7 °C.

Mettez un bouchon antipoussière sur la sortie du robinet d'une bouteille qui n'est pas utilisée. Utilisez uniquement le type de bouchon antipoussière fourni avec le robinet de la bouteille. D'autres types de bouchons pourraient ne pas être étanches et permettre des fuites de propane.

Avant de faire le raccord, assurez-vous qu'aucun débris n'obstrue le tuyau de sortie de la bouteille de gaz, du manodétendeur, du brûleur ou des orifices du brûleur. Raccordez le manodétendeur et resserrez-le à la main fermement. Fermez le robinet de la bouteille, puis déconnectez la bouteille de propane du manodétendeur lorsque le barbecue n'est pas utilisé.

N'ENTRAVEZ PAS le flux d'air de combustion et de ventilation se rendant au barbecue. La bouteille de propane doit être munie d'un système permettant le retrait de la vapeur et d'un dispositif reconnu de prévention des trop-pleins. Veuillez orienter la bouteille dans le sens indiqué pour permettre le retrait de la vapeur. REMARQUE : La bouteille de gaz doit toujours être en position verticale afin de permettre uniquement le retrait de la vapeur.



## ⚠ MISE EN GARDE

- N'entreposez pas de bouteille de GPL sous le barbecue ou à proximité de celui-ci.
- Ne remplissez jamais une bouteille de GPL à plus de 80 % de sa capacité.
- Si les directives mentionnées au point (a) et au point (b) ne sont pas suivies exactement, un incendie causant la mort ou des blessures graves peut se produire.



## MODE D'EMPLOI



**REMARQUE** : Vous pouvez utiliser d'autres bouteilles avec cet appareil, pourvu qu'elles conviennent au trou pour la bouteille et aux dispositifs de fixation. Consultez l'étape 15 des instructions pour l'assemblage pour connaître la manière adéquate de fixer une bouteille au support de bouteille.

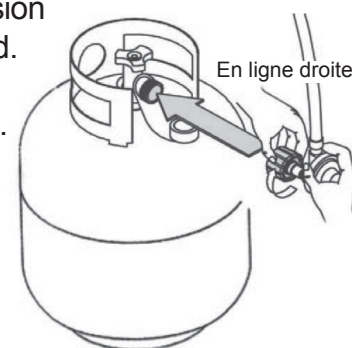
## ⚠ AVERTISSEMENT

**TOUTES LES INSTRUCTIONS ET MESURES DE SÉCURITÉ QUI SUIVENT DOIVENT ÊTRE RESPECTÉES AFIN DE PRÉVENIR LES INCENDIES, LES DOMMAGES ET LES BLESSURES.**

### RACCORDEMENT DE LA BOUTEILLE DE PROPANE

1. Le robinet de la bouteille de propane doit être fermé. Pour vérifier si c'est le cas, assurez-vous qu'il n'est pas possible de le tourner davantage dans le sens des aiguilles  d'une montre. Le système d'alimentation de la bouteille doit être placé de façon à permettre le retrait du propane à l'état gazeux.
2. Vérifiez que le bouton de commande du dispositif de commande du brûleur est à la position « OFF » (arrêt).
3. Retirez le capuchon de protection du robinet du réservoir de propane liquéfié et de l'écrou d'accouplement.
4. Tenez le régulateur dans une main et insérez le mamelon dans le tuyau de sortie. Assurez-vous que le mamelon est bien centré dans le tuyau de sortie. L'écrou d'accouplement se visse sur les filets extérieurs de grande dimension du tuyau de sortie. Faites attention de ne pas fausser le filetage du raccord.
5. Serrez l'écrou d'accouplement à la main dans le sens des aiguilles  d'une montre jusqu'à ce qu'il ne soit plus possible de le tourner davantage. Vissez-le fermement à la main seulement. N'utilisez pas d'outils.

Déconnexion : Fermez complètement le robinet du réservoir en tournant dans le sens des aiguilles  d'une montre. Tournez dans le sens contraire  des aiguilles d'une montre jusqu'à ce que l'écrou se détache du régulateur.



## ⚠ AVERTISSEMENT

**Lorsque vous effectuez les raccordements, assurez-vous que :**

- le connecteur de l'orifice d'entrée du régulateur est correctement et solidement raccordé au tuyau de sortie de la bouteille;
- le tuyau de gaz propane liquéfié ne touche pas au foyer du barbecue.

## MODE D'EMPLOI

---

### ALLUMAGE DU BARBECUE

#### Avant la première utilisation :




Retirez toutes les étiquettes et les courroies de plastique, le cas échéant. Avant d'utiliser votre nouveau barbecue au gaz, il est nécessaire de le nettoyer à la chaleur. Pour ce faire, faites fonctionner le barbecue pendant une quinzaine de minutes; le couvercle doit être fermé et le bouton de commande, à la position maximale. De cette façon, la chaleur brûlera tous les résidus et dissipera l'odeur provenant du processus de fabrication, nettoyant ainsi les pièces internes.

### ⚠ MISE EN GARDE

**Si la flamme s'éteint accidentellement pendant l'allumage ou l'utilisation du barbecue, FERMEZ immédiatement le robinet de la bouteille de propane, puis FERMEZ le bouton de commande du brûleur.**



### ⚠ AVERTISSEMENT

**Ne vous penchez pas au-dessus du barbecue lorsque vous l'allumez.  
Lisez les instructions avant d'allumer l'appareil.**

1. Vérifiez que les boutons de commande sont à la position  arrêt.
2. Ouvrez complètement le robinet du réservoir en le tournant dans le sens  contraire des aiguilles d'une montre.
3. Ouvrez le couvercle avant d'allumer l'appareil.
4. Enfoncez l'allumeur pendant 3 ou 4 secondes tout en tournant le bouton de commande de droite à la position  maximale. Le brûleur devrait s'allumer. Si l'appareil ne s'allume pas en 5 secondes, fermez le robinet du brûleur, attendez 5 minutes, et procédez de nouveau à l'allumage ou consultez les instructions pour l'allumage avec une allumette indiquées ci-dessous.

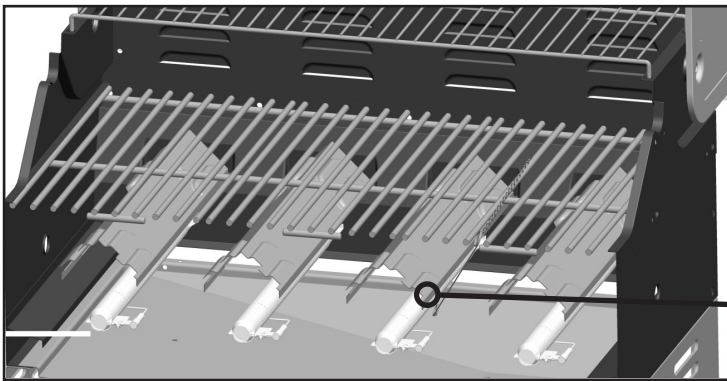
## MODE D'EMPLOI

### ALLUMAGE DU BARBECUE AVEC UNE ALLUMETTE

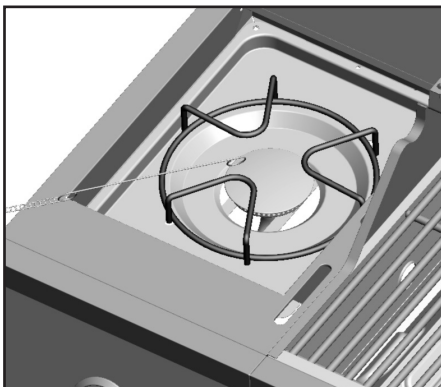
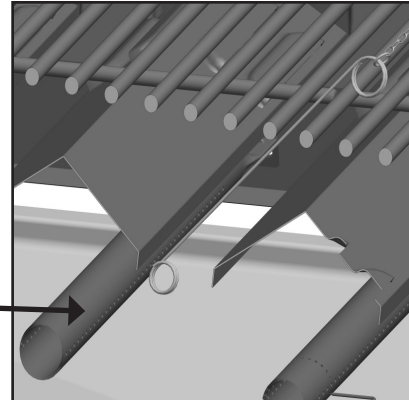
1. Insérez une allumette à l'extrémité du support à allumettes situé à l'intérieur de la porte du charriot.
  2. Allumez l'allumette.
  3. Insérez sans tarder l'allumette enflammée dans le trou de 20 mm (0,75 po) situé sur le côté du corps du barbecue le plus près du brûleur que vous souhaitez allumer. Assurez-vous que l'allumette enflammée est près des orifices du brûleur.
  4. Appuyez sur le bouton de commande lié au brûleur et tournez-le dans le sens  contraire des aiguilles d'une montre à la position  maximale; le brûleur devrait s'allumer immédiatement.
  5. Réglez les brûleurs à l'intensité de cuisson désirée.
- Si vous devez allumer les deux brûleurs, répétez les étapes 1 à 4 afin d'allumer l'autre brûleur.

## ⚠ MISE EN GARDE

Assurez-vous que toutes les commandes des brûleurs sont éteints, sauf le brûleur étant allumé et les brûleurs qui ont été allumés.






Allumage du brûleur match



Eclairage match du brûleur latéral

### INSTRUCTIONS POUR L'ARRÊT

1. Tournez les boutons de commande dans le sens des  aiguilles d'une montre jusqu'à la position  arrêt.
2. Fermez complètement le robinet du réservoir en le tournant dans le sens des  aiguilles d'une montre.
3. Fermez le couvercle.

Couper l'alimentation en gaz PL à la bouteille si l'appareil n'est pas utilisé.



## ENTRETIEN

### GRILLES DE CUISSON

Il est recommandé de brûler les résidus sur la grille de cuisson environ quinze minutes après chaque utilisation. Le barbecue est encore chaud et nécessite donc moins de gaz pour atteindre la chaleur nécessaire pour brûler les résidus.

Pour brûler les résidus ou nettoyer votre barbecue par la chaleur, allumez les brûleurs à la position maximale et laissez-les fonctionner pendant 15 minutes, le couvercle du barbecue fermé. Ensuite, éteignez les brûleurs et utilisez une brosse métallique afin de nettoyer les résidus de nourriture qui se trouvent sur les grilles.

Les grilles de porcelaine ont un fini d'émail vitrifié (semblable au verre). Veillez à les manipuler avec soin pour ne pas les ébrécher.

## ⚠ MISE EN GARDE

**Avant de nettoyer et d'entretenir le barbecue, assurez-vous qu'il est refroidi et que l'alimentation en gaz de la bouteille de propane est fermée.**

### PRODUITS DE NETTOYAGE RECOMMANDÉS

Savon à vaisselle liquide doux, eau tiède, tampon à récurer en nylon, brosse métallique.

N'utilisez PAS de produits nettoyants contenant de l'acide, de l'essence minérale ou toute substance abrasive.

### SURFACES EXTÉRIEURES

Il est recommandé de n'utiliser que du savon à vaisselle liquide doux et de l'eau chaude pour nettoyer le barbecue et les pièces de celui-ci. Rincez à l'eau tiède.

### CUVETTE INFÉRIEURE À L'INTÉRIEUR DU CORPS DU BARBECUE

Afin d'éviter les montées de flammes, il est recommandé de nettoyer régulièrement la cuvette inférieure située à l'intérieur du barbecue. Enlevez les résidus à l'aide d'une brosse, d'un grattoir ou d'un tampon à récurer. Nettoyez doucement à l'aide de savon à vaisselle liquide doux et d'eau tiède. Rincez à l'eau tiède. Évitez d'éclabousser les tubes diffuseurs des brûleurs.

### PLAQUES CHAUFFANTES

Nettoyez les résidus à l'aide d'une brosse métallique et avec du savon à vaisselle doux et de l'eau tiède. Rincez à l'eau tiède.

### BAC RAMASSE-GRAISSE

Videz le bac ramasse-graisse, puis nettoyez-le régulièrement avec du savon à vaisselle liquide doux et de l'eau tiède.

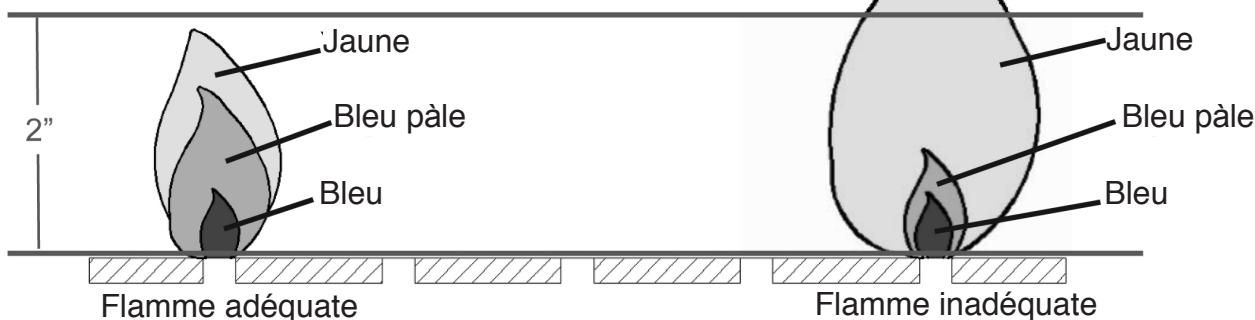
### VÉRIFICATION DE LA FLAMME

Pour obtenir un rendement énergétique optimal ainsi qu'une excellente cuisson, la flamme devrait être jaune et bleue, et sa hauteur, d'environ 2,5 cm à 5 cm.

Pour vérifier la flamme, regardez-la à travers le trou conçu pour allumer les brûleurs à l'aide d'une allumette, situé sur le côté du foyer.



Trou noir visualiser la flamme





## ENTRETIEN

### ENSEMBLE DE BRÛLEUR

#### RETRAIT DE L'ENSEMBLE DE BRÛLEUR

1. Assurez-vous que tous les boutons de commande sont à la position « OFF » (arrêt), que le robinet du réservoir de propane liquéfié est fermé et que ce dernier n'est relié ni au régulateur ni au barbecue.
2. Ouvrez ensuite le couvercle et retirez la grille de maintien au chaud, les grilles de cuisson et les plaques chauffantes.
3. Retirer la goupille comme illustré à la figure 1. Retirez les 2 vis qui fixent l'électrode d'allumage au brûleur comme le montre la figure 2.

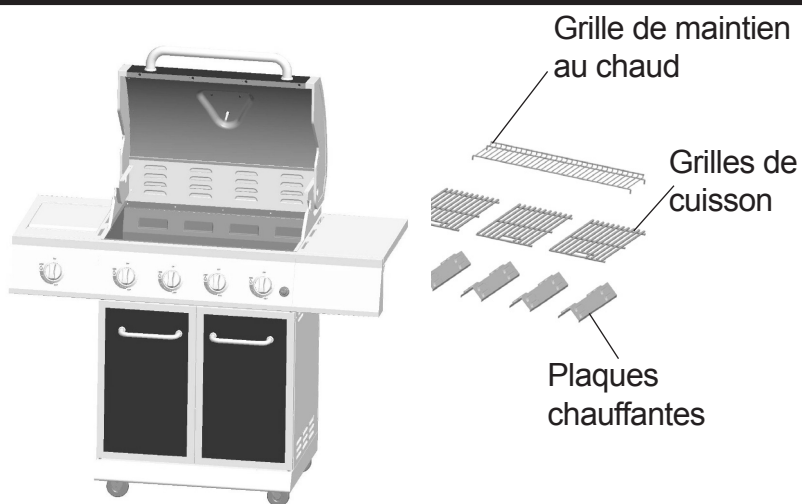


Figure 1

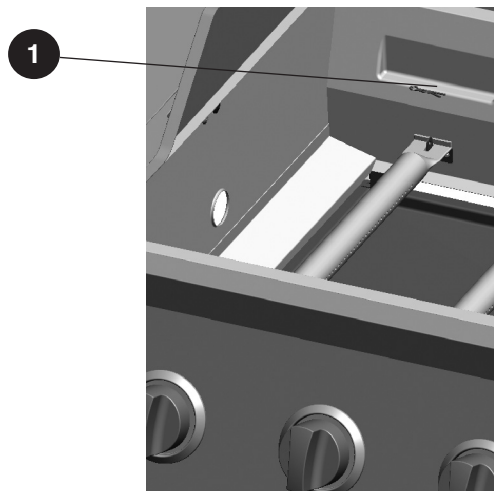
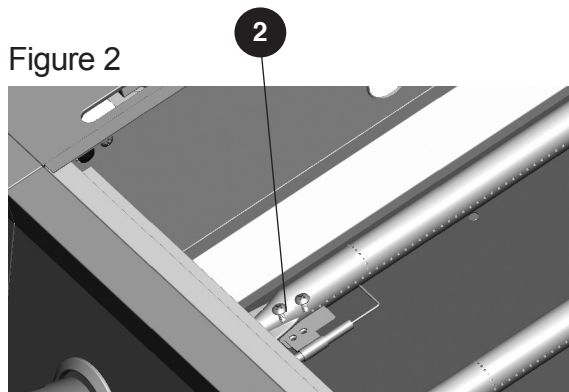
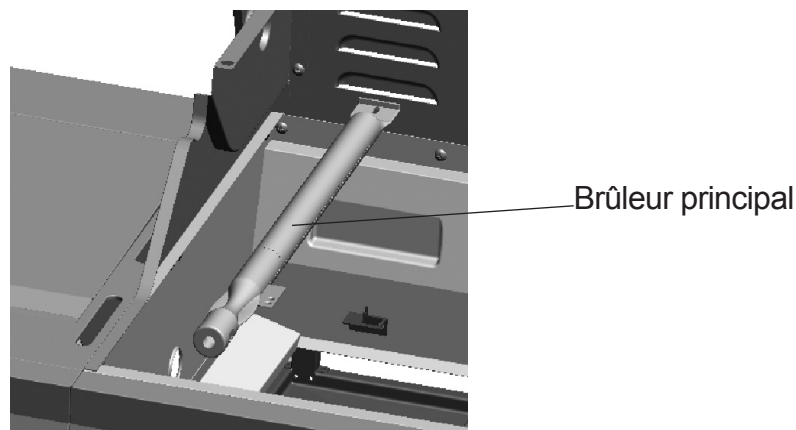


Figure 2



4. Faites glisser hors de la chambre de combustion des brûleurs, comme illustré.



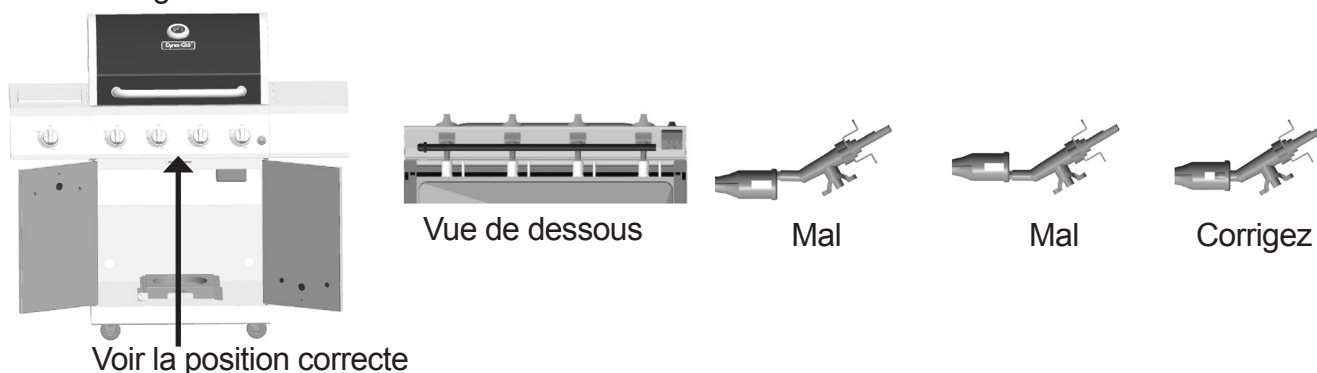
## ENTRETIEN

### NETTOYAGE DE L'ENSEMBLE DE BRÛLEUR – Assurez-vous que le barbecue est refroidi.

1. Fermez l'alimentation en gaz en tournant les boutons de commande du barbecue et le robinet de la bouteille de propane.
2. Retirez la bouteille de gaz propane liquéfié du tuyau et du régulateur.
3. Retirez ensuite la grille de maintien au chaud, les grilles de cuisson et les plaques chauffantes.
4. Retirez les goupilles fendues situées à l'arrière des brûleurs afin de retirer ces derniers des supports.
5. Séparez à la main le fil d'allumage de l'électrode. N'utilisez NI pinces NI aucun autre outil, car vous pourriez endommager l'électrode ou le fil.
6. Soulevez lentement le brûleur.
7. Assurez-vous que tous les orifices du brûleur ne sont pas bouchés. Pour ce faire, utilisez une épingle ou un trombone.
8. Assurez-vous que le brûleur n'est pas endommagé. Le cas échéant, remplacez-le par un nouveau brûleur.
9. Assurez-vous que l'extrémité du brûleur et le filtre à air principal sont exempts de nids d'insectes, de poussière ou de débris.

### RÉINSTALLATION DU BRÛLEUR

Assurez-vous que les orifices du robinet de gaz sont placés correctement à l'intérieur du diffuseur du brûleur (venturi). Vous devrez peut-être utiliser une lampe de poche pour les installer correctement. Il est recommandé de vérifier leur position à travers les trous de ventilation du foyer du barbecue, tel que l'illustre la figure ci-dessous.



à partir du fond de la chambre de combustion.

## ⚠ AVERTISSEMENT

**Si les directives mentionnées précédemment ne sont pas suivies, un incendie ou une explosion pourrait survenir, risquant de causer des blessures graves, voire la mort.**

### AUTRES TYPES D'ENTRETIEN

Nous vous recommandons de faire faire l'entretien de cet appareil une fois par année par un technicien qualifié.

Nous vous recommandons de vérifier régulièrement que l'espace autour du barbecue au gaz est exempt de tout matériau combustible, essence et autres vapeurs et liquides inflammables.

Nous vous recommandons de vérifier régulièrement que le flux d'air de combustion et de ventilation n'est pas entravé.

Nous vous recommandons de vérifier régulièrement que les ouvertures de ventilation entourant la bouteille (sur le charriot) sont exemptes de débris.

Nous vous recommandons de vérifier régulièrement les tubes du venturi et du brûleur, et de les nettoyer si des insectes ou des nids d'insectes s'y trouvent. Un tube obstrué peut causer un feu sous le barbecue.

## ENTRETIEN

L'allumage électronique nécessite une pile alcaline « AA » incluse.

### **⚠ AVERTISSEMENT**

N'utilisez PAS de vieilles piles avec des piles neuves.

NE combinez PAS des piles alcalines avec des piles ordinaires (carbone-zinc) ou avec des piles rechargeables (nickel-cadmium).

NE jetez PAS les piles au feu. Une mise au rebut inadéquate pourrait causer une fuite ou faire exploser les piles.

## DÉPANNAGE

Si vous avez des questions, veuillez téléphoner au service à la clientèle au 1-877-447-4768, Huit heures et demie-16h30, HNC, du lundi - vendredi.

| PROBLÈME  | CAUSE POSSIBLE   | MESURE CORRECTIVE  |
|---|--|--|
| <b>Le brûleur ne s'allume pas à l'aide de l'allumeur (pas d'étincelle ou étincelle faible).</b> | <ol style="list-style-type: none"><li>1. L'électrode de l'allumeur est couverte de graisse ou de résidus.</li><li>2. Un fil de l'électrode de l'allumeur est mal raccordé ou déconnecté.</li><li>3. L'électrode d'allumage est fissurée ou fendue.</li><li>4. La pile est à plat ou la connexion des piles est inadéquate.</li></ol> | <ol style="list-style-type: none"><li>1. Nettoyez l'électrode de l'allumeur.</li><li>2. Vérifiez les fils et reconnectez tout fil mal raccordé ou déconnecté.</li><li>3. Remplacez l'électrode d'allumage (consultez la liste des pièces de rechange).</li><li>4. Prenez l'une des mesures suivantes :<ol style="list-style-type: none"><li>a. Remplacez la pile.</li><li>b. Vérifiez si la pile est insérée correctement.</li><li>c. Vérifiez si les bornes de la pile présentent des traces de corrosion.</li><li>d. Vérifiez le branchement des fils comme indiqué ci-dessus.</li></ol></li></ol> |
| <b>La chaleur est faible.</b>   | <ol style="list-style-type: none"><li>1. La pression du gaz vers l'appareil est insuffisante.</li></ol>  | <ol style="list-style-type: none"><li>1. Communiquez avec un service d'entretien autorisé pour qu'il vérifie la pression de l'alimentation en gaz et la corrige.</li></ol>   |
| <b>Il y a trop de montées de flammes intermittentes.</b>  | <ol style="list-style-type: none"><li>1. De la graisse ou des résidus se sont accumulés sur les plaques chauffantes ou dans le foyer du barbecue.</li><li>2. Du gras ou de la marinade a dégoutté de la nourriture en trop grande quantité.</li><li>3. La température de cuisson est trop élevée.</li></ol>                          | <ol style="list-style-type: none"><li>1. Nettoyez les pièces du barbecue.</li><li>2. Retirez le gras de la viande et n'utilisez pas de marinades à base d'huile.</li><li>3. Réduisez la température en conséquence.</li></ol>  |

## DÉPANNAGE

| PROBLÈME  | CAUSE POSSIBLE  | MESURE CORRECTIVE   |
|---|---|---|
| <p><b>Le brûleur ne s'allume pas à l'aide d'une allumette.</b></p>  | <ol style="list-style-type: none"> <li>1. L'allumette n'atteint pas les brûleurs (lorsque vous la tenez d'une main).</li> <li>2. L'alimentation en gaz est coupée.</li> <li>3. Il y a un mauvais branchement entre le raccord à manchon et l'embout du tuyau de gaz.</li> <li>4. L'entrée du brûleur est obstruée.</li> </ol> | <ol style="list-style-type: none"> <li>1. Utilisez le support à allumettes situé dans la porte de l'armoire.</li> <li>2. Vérifiez si la vanne d'arrêt manuel du gaz est ouverte.</li> <li>3. Tournez les boutons de commande à la position OFF (fermé), fermez la vanne d'arrêt du gaz, puis vérifiez le branchement du raccord à manchon et de l'embout. Au besoin, déconnectez-les et reconnectez-les.</li> <li>4. Nettoyez le diffuseur (venturi) et le brûleur selon les instructions de la section Entretien du manuel.</li> </ol> |
| <p><b>Le gaz ne circule pas ou sa circulation est entravée.</b></p> | <ol style="list-style-type: none"> <li>1. L'alimentation en gaz est coupée.</li> <li>2. Il y a un mauvais branchement entre le raccord à manchon et l'embout du tuyau de gaz.</li> <li>3. L'entrée du brûleur est obstruée.</li> </ol>  | <ol style="list-style-type: none"> <li>1. Vérifiez si la vanne d'arrêt manuel du gaz est ouverte.</li> <li>2. Tournez les boutons de commande à la position OFF (fermé), fermez la vanne d'arrêt du gaz, puis vérifiez le branchement du raccord à manchon et de l'embout. Au besoin, déconnectez-les et reconnectez-les.</li> <li>3. Nettoyez le diffuseur (venturi) et le brûleur selon les instructions de la section Entretien du manuel.</li> </ol>  |

## **GARANTIE LIMITÉE**

---

### **Garantie limitée de 1 an**

La garantie de un an de ce barbecue au gaz LP couvre les pièces endommagées ou brisées au moment de l'achat. Le barbecue est garanti contre tout défaut. La peinture est garantie contre tout défaut, à l'exception de la rouille qui peut apparaître après une utilisation répétée.

La garantie ne couvre pas les dommages ou les problèmes liés à une négligence, à un usage abusif ou aux modifications apportées à l'appareil. La garantie ne couvre pas les coûts de main-d'oeuvre.

Toutes les pièces couvertes par la garantie seront expédiées sans frais selon la méthode choisie par le fabricant (envoi terrestre par US Mail ou Parcel Post **UNIQUEMENT**). Tout montant additionnel (par exemple, la livraison le lendemain, le surlendemain, etc.) relève de la responsabilité du consommateur.

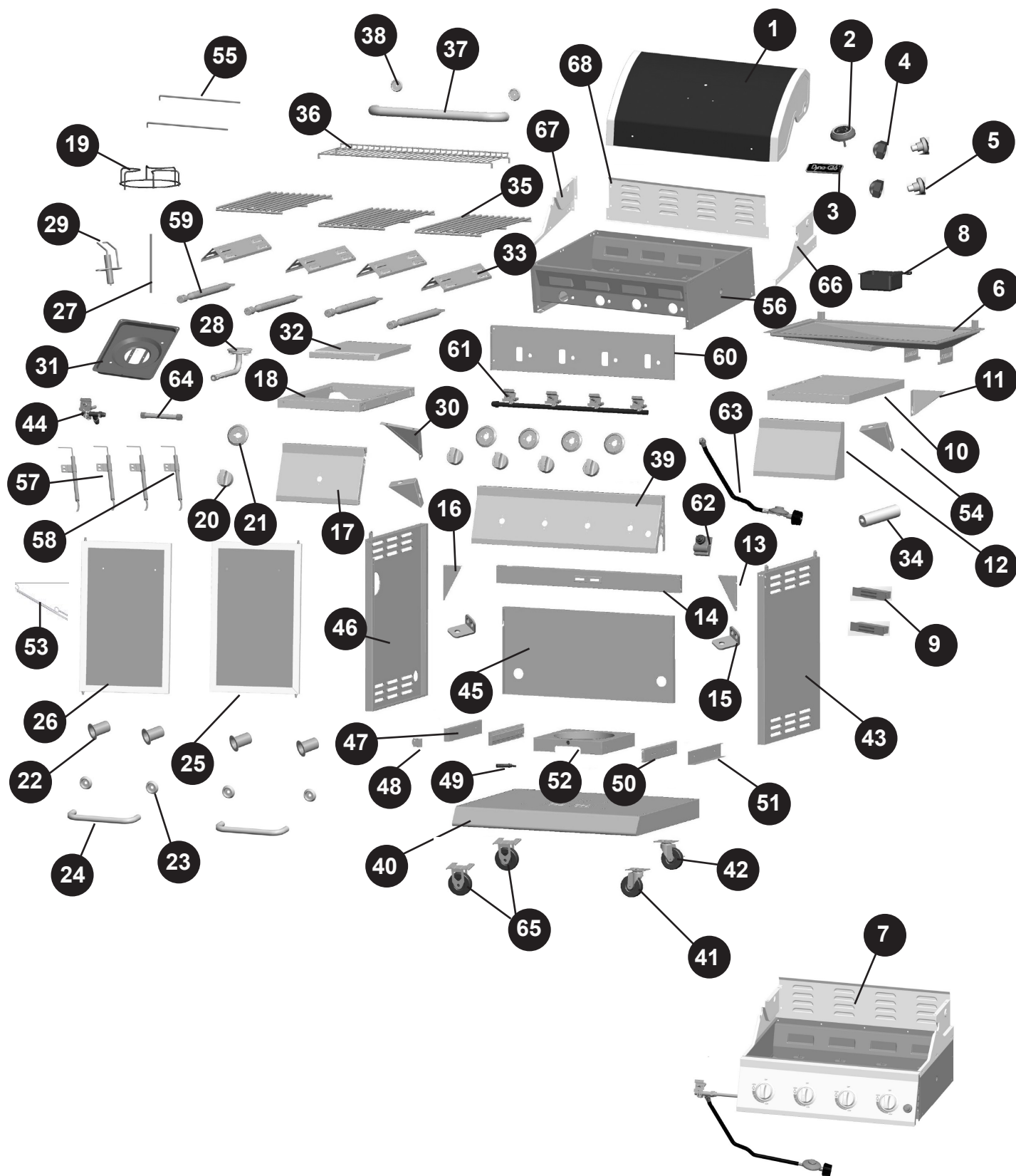
Toutes les réclamations au titre de la garantie ne peuvent être effectuées que par l'acheteur initial du produit et nécessitent une preuve d'achat qui indique la date d'achat. Ne retournez aucune pièce à l'adresse de GHP sans avoir obtenu un numéro d'autorisation de retour de notre service à la clientèle. Vous pouvez appeler sans frais notre service à la clientèle au 1-877-447-4768, huit heures et demie-16h30, HNC, du lundi - vendredi.

**AVIS :** Certains États ou certaines provinces ne permettent pas une limitation de la durée de la garantie implicite ou une exclusion ou une limitation des dommages accidentels ou consécutifs, de sorte que les limitations ou exclusions mentionnées ci-dessus peuvent ne pas s'appliquer à vous. Cette garantie vous confère des droits précis. Il est possible que vous disposiez également d'autres droits, qui varient d'un État ou d'une province à l'autre.

GHP Group, Inc.  
6440 W. Howard Street  
Niles, IL, USA  
60714-3302

Nom de l'article : Barbecue au gaz LP à 4 brûleurs  
No de modèle : M486BBDG14/M486BBDG14-D/ M486RDDG14/  
M486RDDG14-D/M486GMDG14/M486GMDG14-D  
Capacité nominale : 40,000 BTU/Hr  
Brûleur latéral nominale : 12,000 BTU/Hr

# LISTE DES PIÈCES DE RECHANGE



## LISTE DES PIÈCES DE RECHANGE

Pour les pièces détachées, appelez notre service à la clientèle au 1-877-447-4768, 8 heures 30-16h30, HNC, du lundi - vendredi.

| RÉF | DESCRIPTION   | NO DE PIÈCE |
|-----|---|-------------|
| 1   | Ensemble couvercle - M486BBDG14/M486BBDG14-D                | 106 - 02001 |
|     | Ensemble couvercle - M486RDDG14/M486RDDG14-D                | 106 - 02030 |
|     | Ensemble couvercle - M486GMDG14/M486GMDG14-D                | 106 - 02040 |
| 2   | Ensemble de jauge Temp                                      | 104 - 12005 |
| 3   | Badge   | 104 - 22006 |
| 4   | Vis M6 avec capuchon-spécialement couvercle sécurisé pivot  | 104 - 12001 |
| 5   | Couvercle pivot   | 104 - 12002 |
| 6   | Graisse ensemble assise-                                    | 106 - 04013 |
| 7   | Assemblage Firebox - comprend pare-chocs couvercle          | 167 - 03001 |
| 8   | Graisse ensemble de gobelet                                 | 104 - 04014 |
| 9   | Aimant de porte   | 104 - 14020 |
| 10  | Table d'appoint à droite                                    | 105 - 04001 |
| 11  | Support pour table de droite                                | 105 - 04003 |
| 12  | Panneau frontal côté table de montage à droite              | 105 - 14001 |
| 13  | Soutien adéquat pour renfort de porte supérieure avant      | 166 - 14002 |
| 14  | Supérieure renfort de porte avant                           | 166 - 04011 |
| 15  | Support pour broche porte                                   | 105 - 14024 |
| 16  | Support gauche pour renfort de porte supérieure avant       | 105 - 14025 |
| 17  | Devant la table du panneau latéral gauche                   | 105 - 44001 |
| 18  | Gauche brûleur latéral                                      | 105 - 44002 |
| 19  | La cuisson du brûleur latéral                               | 105 - 44003 |
| 20  | Bouton de commande  | 104 - 13010 |
| 21  | Lunette bouton de commande                                  | 104 - 13009 |
| 22  | Manchon de poignée de porte                                 | 104 - 14023 |
| 23  | Poignée de porte lunette                                    | 104 - 14022 |
| 24  | Poignée de porte  | 104 - 14021 |
| 25  | Porte-assemblage droit-M486BBDG14/M486BBDG14-D              | 106 - 04020 |
|     | Porte-assemblage droit-M486RDDG14/M486RDDG14-D              | 106 - 04030 |
|     | Porte-assemblage droit-M486GMDG14/M486GMDG14-D              | 167 - 04020 |
| 26  | Porte-assemblage gauche-M486BBDG14/M486BBDG14-D             | 106 - 44020 |
|     | Porte-assemblage gauche-M486RDDG14/M486RDDG14-D             | 106 - 44030 |
|     | Porte-assemblage gauche-M486GMDG14/M486GMDG14-D             | 167 - 44020 |
| 27  | Câble d'allumage côté brûleur                               | 105 - 44004 |
| 28  | Brûleur latéral avec risque de tube avec vis pour le fixer. | 105 - 44005 |
| 29  | Electrode d'allumage assemblage du brûleur latéral          | 105 - 44006 |
| 30  | Appui à la table du brûleur latéral gauche                  | 105 - 44007 |
| 31  | Assiette à soupe du brûleur latéral                         | 105 - 44008 |
| 32  | Couvercle du brûleur latéral                                | 105 - 44009 |
| 33  | Tente chaleur   | 105 - 13003 |
| 34  | Piles AA (1,5 V)  | 104 - 05002 |
| 35  | Grille de cuisson   | 166 - 13002 |
| 36  | Grille de réchaud   | 167 - 13001 |
| 37  | poignée du couvercle  | 106 - 12003 |
| 38  | Lunette poignée du couvercle                                | 105 - 12004 |



## LISTE DES PIÈCES DE RECHANGE

| RÉF | DESCRIPTION  | NO DE PIÈCE |
|-----|--|-------------|
| 39  | Panneau de commande assemblage   | 106 - 13008 |
| 40  | Étagère inférieure   | 166 - 04006 |
| 41  | Anti-blocage roulette pivotante (3 ") - Comprend 4 vis / rondelles / rondelles | 105 - 04017 |
| 42  | Verrouillage roulette pivotante (3 ") - Comprend 4 vis / rondelles / rondelles | 105 - 04019 |
| 43  | Panier côté panneau de droite  | 105 - 04010 |
| 44  | Valve du brûleur latéral et le tuyau   | 105 -13016  |
| 45  | Panneau arrière Panier   | 166 - 04008 |
| 46  | Panier côté panneau de gauche  | 105 - 04009 |
| 47  | Étagère bassin de rétention de plaque A  | 105 - 34001 |
| 48  | Étagère réservoir de verrouillage ferroviaire plaque                           | 105 - 34002 |
| 49  | Vis de fixation cylindre   | 105 - 34003 |
| 50  | Rail   | 105 - 34004 |
| 51  | Étagère bassin de rétention de plaque B  | 105 - 34005 |
| 52  | Siège du réservoir   | 105 - 34006 |
| 53  | Correspondre porte-avec chaîne et vis pour fixer                               | 104 - 14024 |
| 54  | Table d'appoint panneau avant support - plaque de triangle                     | 105 - 14003 |
| 55  | Axe du couvercle du brûleur latéral  | 105 - 44010 |
| 56  | Firebox assemblage-soudage structure de  | 107 - 13005 |
| 57  | Principal assemblage d'électrodes brûleur électrique avec A-long fil           | 105 - 13012 |
| 58  | Principal assemblage d'électrodes brûleur électrique avec B-fil court          | 105 - 13017 |
| 59  | Brûleur principal avec goupille  | 105 - 13011 |
| 60  | Bouclier thermique avant   | 106 - 05001 |
| 61  | Vanne principale et le tube de gaz   | 166 - 13006 |
| 62  | Allumeur électronique  | 166 - 13007 |
| 63  | Ensemble régulateur et le tuyau  | 105 - 13014 |
| 64  | Corrugate ensemble de tuyaux   | 105 - 13028 |
| 65  | Roulette directionnelle(3")*   | 105 - 04020 |
| 66  | Panneau supérieur de Firebox - droit   | 105 - 13015 |
| 67  | Panneau supérieur de Firebox - à gauche  | 105 - 13004 |
| 68  | Panneau supérieur de Firebox - arrière   | 105 - 13029 |
| n/a | Kit de quincaillerie   | 166 - 55001 |
| n/a | Manuel / Instruction du propriétaire   | 70-10-038   |





# PARRILLA A GAS PL DE 4 FOGONES

Modelo #M486BBDG14/M486BBDG14-D/M486RDDG14/M486RDDG14-D/M486GMDG14/M486GMDG14-D



C US

ANS Z21.58b- 2012  
CSA 1.6b- 2012  
Cocina al aire libre  
aparatos de gas

## ADJUNTE SU RECIBO AQUÍ

Número de serie \_\_\_\_\_ Fecha de compra \_\_\_\_\_



¿Preguntas, problemas, piezas faltantes? Antes de volver a la tienda, llame a nuestro Departamento de Servicio al Cliente al 1-877-447-4768, de 8:30 am - 4:30 pm, hora central, de lunes - viernes o envíe un correo electrónico a [customerservice@ghpgroupinc.com](mailto:customerservice@ghpgroupinc.com).

## INDICE

|                                       |    |
|---------------------------------------|----|
| Informacion de seguridad .....        | 67 |
| Contenido del paquete .....           | 69 |
| Aditamentos .....                     | 70 |
| Preparacion .....                     | 70 |
| Instrucciones de ensamblaje .....     | 71 |
| Instrucciones de funcionamiento ..... | 83 |
| Cuidado y mantenimiento .....         | 88 |
| Solucion de problemas .....           | 91 |
| Garantia .....                        | 93 |
| Lista de piezas de repuesto .....     | 94 |

Ensamblador/Instalador: Este manual contiene información importante necesaria para el ensamblaje correcto y el uso seguro del electrodoméstico. Lea y siga todas las advertencias e instrucciones antes de ensamblar y utilizar este electrodoméstico. **Entregue estas instrucciones al consumidor.**

Consumidor/Usuario: Siga todas las advertencias e instrucciones al utilizar este electrodoméstico. **Guarde estas instrucciones para referencia futura.**



### PELIGRO:

**Si percibe olor a gas:**

- 1. Cierre el suministro de gas hacia el electrodoméstico.**
- 2. Apague cualquier llama directa.**
- 3. Abra la tapa.**
- 4. Si el olor persiste, manténgase alejado del electrodoméstico y llame de inmediato al departamento de bomberos.**



### ADVERTENCIA:

1. No almacene ni utilice gasolina u otros líquidos o vapores inflamables cerca de éste u otro electrodoméstico.
2. Un cilindro de gas propano que no esté conectado y en uso no debe almacenarse cerca de éste ni de ningún otro aparato.
3. Esta parrilla es sólo para uso en exteriores y no se debe usar en edificios, garajes, bajo salientes u otras áreas cerradas.
4. No deje la parrilla encendida sin supervisión. Mantenga a los niños y las mascotas alejados de la parrilla en todo momento.

## INFORMACION DE SEGURIDAD

Lea y comprenda completamente este manual antes de intentar ensamblar, usar o instalar el producto. Si tiene preguntas relacionadas con el producto, llame al Servicio al Cliente al: 1-877-447-4768, de 8:30 am - 4:30 pm, hora central, de lunes - viernes.

### PELIGRO

- No utilice la unidad en un entorno explosivo. No debe haber materiales combustibles, gasolina ni otros vapores o líquidos inflamables cerca de la parrilla.

#### PROPUESTA 65 DE CALIFORNIA

Los combustibles que se usan en electrodomesticos de combustión a gas o petróleo y los productos de la incineración de dichos combustibles contienen sustancias químicas reconocidas por el estado de California como causantes de cancer, defectos congénitos u otros danos en el aparato reproductivo. Este producto contiene sustancias químicas, incluido plomo y compuestos de plomo, reconocidas por el estado de California como causantes de cancer, defectos congénitos u otros danos en el aparato reproductivo. **Lavese las manos despues de manipularlo.**

### PRECAUCIÓN

- No utilice carbón o líquido para encendedor en la parrilla.
- No use gasolina, queroseno o alcohol para encender la parrilla.
- El cilindro de suministro de gas PL que se utilice con este electrodoméstico debe estar:
  - (a) Fabricado y marcado según las Specifications for LP-Gas Cylinders of the U.S. Department of Transportation (D.O.T.) or the National Standard of Canada, CAN/CSA-B339, Cylinders, Spheres and Tubes for Transportation of Dangerous Goods; and Commission, según corresponda, y
  - (b) Equipado con un dispositivo de prevención de sobrellenado homologado.
  - (c) Equipado con un dispositivo de conexión para el cilindro compatible con el conector para electrodomésticos para cocinar en exteriores. Esta parrilla no está diseñada para usarse o instalarse en vehículos recreativos y/o botes.
- Nunca guarde un contenedor lleno en un auto a altas temperaturas o en el portaequipajes del auto. El calor hace aumentar la presión del gas, lo que puede abrir la válvula de alivio y permitir que escape el gas.
- Siempre abra la tapa de la parrilla lentamente y con cuidado, ya que el calor y el vapor atrapados dentro de la parrilla pueden causarle quemaduras graves.

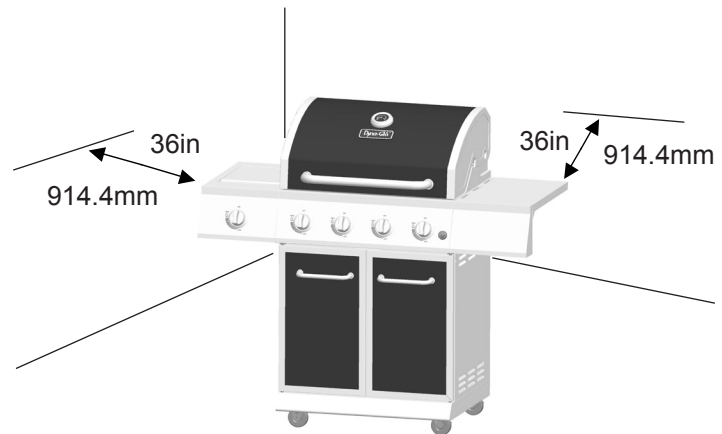


## INFORMACIÓN DE SEGURIDAD

### ⚠ ADVERTENCIA

- No coloque la parrilla debajo de construcciones o cobertizos inflamables. Debe haber un espacio de separación mínimo de 91,44 cm (36") desde los lados y la parte posterior de la unidad hasta construcciones de material combustible.

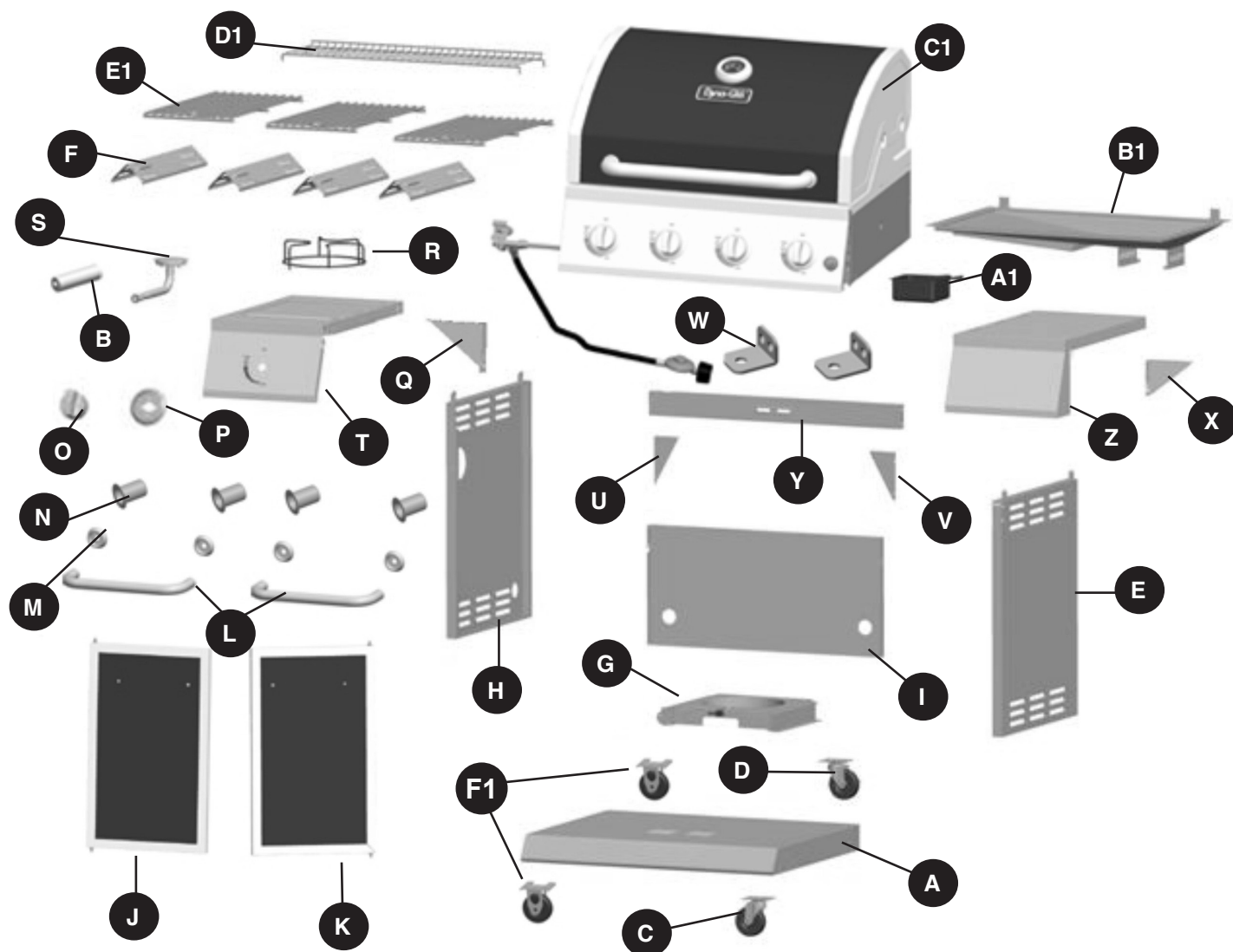
NOTA: La instalación debe cumplir con los códigos locales o, en su defecto, con el National Fuel Gas Code, ANSI Z223.1/ NFPA 54, Natural Gas and Propane Installation Code, CSA B149.1, o Propane Storage and Handling Code, B149.2.



### ⚠ PRECAUCIÓN

- NO almacene ni utilice gasolina ni otros vapores o líquidos inflamables dentro de 8 metros (25 pies) de distancia de éste ni de ningún otro electrodoméstico.
- Cualquier tanque de gas propano líquido que no esté conectado y en uso debe almacenarse a una distancia mínima de 3 metros de éste o cualquier otro electrodoméstico.
- Esta parrilla debe utilizarse sólo con gas propano (no se incluye el cilindro de gas propano).
- No intente conectar esta parrilla al sistema de gas propano autocontenido de un bote, remolque para camping, casa rodante o casa.
- No intente mover la parrilla mientras está encendida o caliente. Las ruedas deben estar con seguro cuando la parrilla no se esté moviendo.
- No use la parrilla a menos que esté completamente ensamblada y todas las piezas estén ajustadas y apretadas con firmeza.
- Mantenga todos los artículos y las superficies combustibles a una distancia mínima de 91,44 cm (36") de la parrilla en todo momento.
- No toque las piezas metálicas de la parrilla hasta que se hayan enfriado completamente (espere unos 45 minutos) para evitar quemaduras, a menos que utilice artículos de protección (almohadillas, guantes, manoplas para horno, etc...).
- No altere la parrilla de ninguna manera.
- Limpie e inspeccione la manguera antes de cada uso. Si hay evidencia de abrasión, desgaste, cortes o fugas, se debe reemplazar la manguera antes de operar el electrodoméstico. La manguera de reemplazo debe ser la especificada por el fabricante, que se menciona en la lista de piezas de repuesto de este manual.
- Coloque las mangueras de gas lo más lejos posible de superficies calientes y de donde pueda caer grasa caliente.
- Mantenga limpios el compartimiento de la válvula, los quemadores y los pasajes de circulación de aire de la parrilla. Inspeccione la parrilla antes de cada uso. No obstruya el flujo de gas o del aire de ventilación.
- El consumo de alcohol, medicamentos recetados o medicamentos sin receta puede disminuir la capacidad del usuario para armar o utilizar la parrilla de manera segura.
- No deje la parrilla encendida sin supervisión. Mantenga a los niños y las mascotas alejados de la parrilla en todo momento.
- No coloque la parrilla sobre ningún tipo superficie de mesa. La parrilla se debe colocar sobre una superficie plana y nivelada.
- No use la parrilla si hay viento fuerte.






## CONTENIDO DEL PAQUETE



| PIEZA | DESCRIPCIÓN                            | CANT. |
|-------|--|-------|
| A     | Repisa inferior                        | 1     |
| B     | Pila AA (1,5v)                         | 1     |
| C     | Rueda Giratoria sin Bloqueo            | 1     |
| D     | Rueda Giratoria con Bloqueo            | 1     |
| E     | Panel Lateral Derecho del Carrito      | 1     |
| F     | Rejilla para Calentar                  | 4     |
| G     | Repisa del Tanque                      | 1     |
| H     | Carrito Panel Lateral Izquierdo        | 1     |
| I     | Panel trasero del carro                | 1     |
| J     | Asamblea de la puerta izquierda        | 1     |
| K     | Conjunto de la puerta derecha          | 1     |
| L     | Manija de la Puerta                    | 2     |
| M     | Bisel de la Manija de la Puerta        | 4     |
| N     | Unión de la Manija de la Puerta        | 4     |
| O     | Perilla control del quemador lateral   | 1     |
| P     | Perilla del quemador lateral del bisel | 1     |

| PIEZA | DESCRIPCIÓN                             | CANT. |
|-------|---|-------|
| Q     | Soporte de la Mesa Fogón lado Izquierdo | 1     |
| R     | Parrilla de Cocción del Fogón Lateral   | 1     |
| S     | Quemador lateral de montaje             | 1     |
| T     | Lateral Izquierdo mesa de montaje       | 1     |
| U     | Soporte izquierdo - Brace Puerta        | 1     |
| V     | Derecho Support - Brace Puerta          | 1     |
| W     | Soporte para el Pin de la Puerta        | 2     |
| X     | Soporte la Mesa del Lado Derecho        | 1     |
| Y     | Abrazadera la Puerta Frontal Superior   | 1     |
| Z     | Ensamble de Mesa del Lado Derecho       | 1     |
| A1    | Taza de la Grasa                        | 1     |
| B1    | Bandeja para la Grasa                   | 1     |
| C1    | Cuerpo de la Parrilla                   | 1     |
| D1    | Rejilla para Calentar                   | 1     |
| E1    | Parrilla de Cocción                     | 3     |
| F1    | Rueda direccional                       | 2     |

## ADITAMENTOS (se muestran en tamaño real)

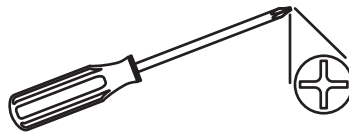
|   |   |   |  |   |
|---|---|---|--|---|
|  |  |  |  |  |
| Tornillo M6x12  | Tornillo M6x12  | Arandela lisa   | Arandela de Resorte M6   | Tornillo M4x12 Screw  |
| Qty. 41   | Qty. 4  | Qty. 26   | Qty. 16  | Qty. 28   |
| NOTA:<br>Aditamento (AA) preensamblado en la manija de la puerta                  |   |   |  |   |

## PREPARACION

Antes de comenzar a ensamblar el producto, asegúrese de tener todas las piezas. Compare las piezas con la lista del contenido del paquete de la página anterior y los aditamentos que aparecen arriba. No intente ensamblar el producto si falta alguna pieza o si estas están dañadas. Póngase en contacto con el Departamento de Servicio al Cliente para obtener piezas de repuesto.

**Tiempo estimado de ensamblaje:** 50 minutos con 2 personas.

**Herramientas necesarias para el ensamblaje y la prueba de fugas (no se incluyen):**  
Destornillador Phillips, botella con atomizador



## ⚠ PRECAUCION



**ESTA UNIDAD ES PESADA. SE NECESITAN DOS PERSONAS PARA UN ENSAMBLAJE SEGURO.**

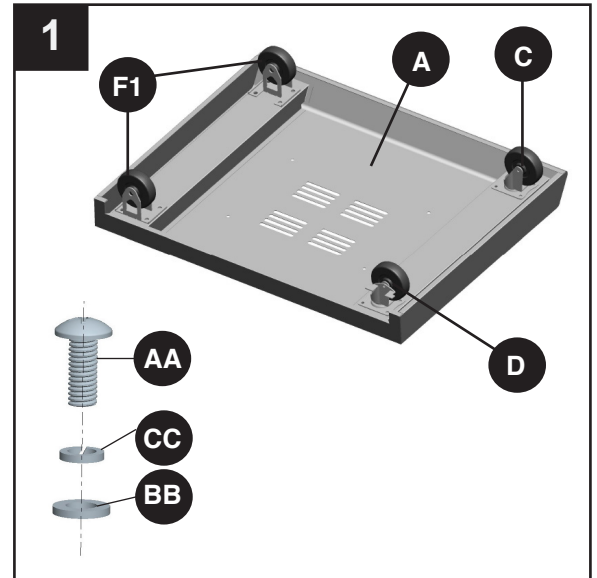
Se requieren dos personas para un ensamblaje segura. Algunas partes pueden presentar bordes filosos. Utilice guantes de protección si es necesario. Lea y siga todas las indicaciones de seguridad, advertencias, instrucciones de ensamblaje, usa y cuidado antes de ensamblar y usar.

## INSTRUCCIONES DE ENSAMBLAJE

1. Acople las ruedas, incluyendo 2 ruedas direccionales (F1) las 1 de dirección (B), una rueda giratoria sin bloqueo (C), una rueda giratoria con bloqueo (D), a la repisa inferior (A) mediante 4 tornillos M6 (AA), arandelas planas (BB) y arandelas de resorte (CC) como se muestra en el diagrama inferior.

### Aditamentos utilizados

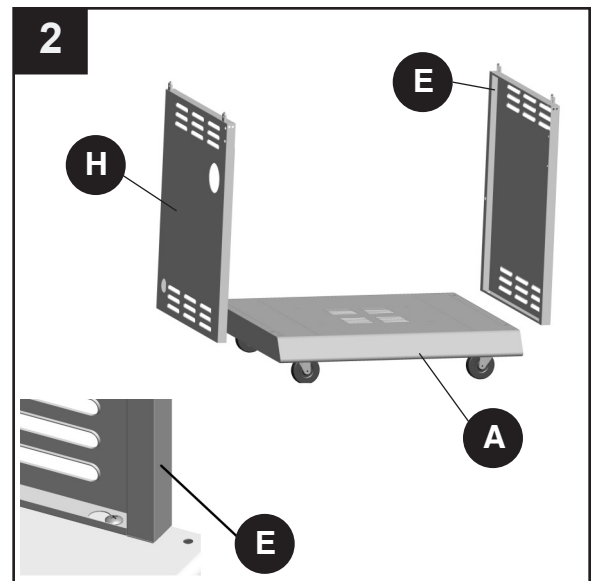
|           |                     |   |      |
|-----------|---------------------|---|------|
| <b>AA</b> | M6x12 Tornillo      |  | x 16 |
| <b>BB</b> | Arandela Lisa       |  | x 16 |
| <b>CC</b> | Arandela de Resorte |  | x 16 |



2. Inserte 4 tornillos (AA) dentro de los huecos en la repisa inferior (A), dejando una separación de 4-6mm desde la cabeza del tornillo a la repisa inferior (A). Acople el panel del lado izquierdo del carrito (H) colocando el hueco tipo llave del panel sobre las cabezas de los tornillos (AA) del lado izquierdo de la repisa inferior (A); deslice el panel del lado izquierdo del carrito (H) de tal forma que la cabeza del tornillo esté sobre la parte más pequeña del hueco tipo llave. Enrosque el tornillo (AA) y apriételo pero no completamente por ahora. Repita lo mismo con el panel del lado derecho del carrito (E).

### Aditamentos utilizados

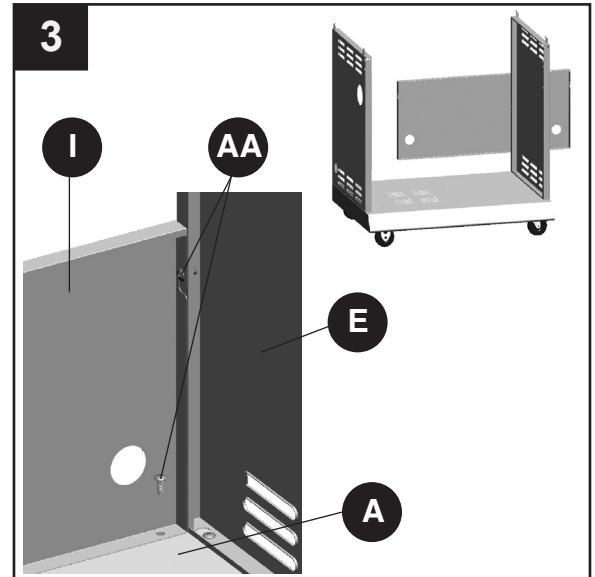
|           |                |   |     |
|-----------|----------------|---|-----|
| <b>AA</b> | M6x12 Tornillo |  | x 4 |
|-----------|----------------|---|-----|





## INSTRUCCIONES DE ENSAMBLAJE

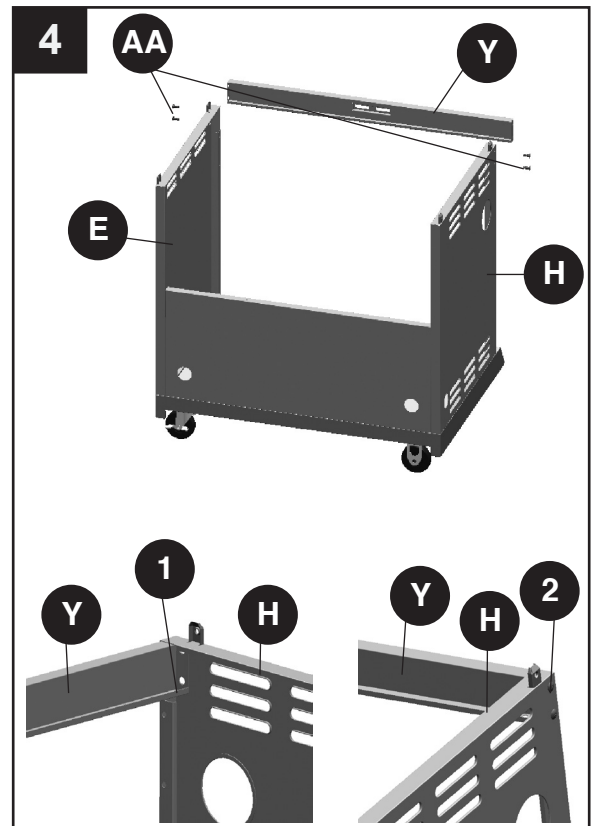
3. Inserte un tornillo (AA) dentro de los huecos posteriores de los paneles de los lados izquierdo y derecho del carrito (H&E), dejando 4-6mm de separación desde la cabeza del tornillo a los paneles laterales (H&E). Acople el panel posterior del carrito (I) deslizándolo los huecos tipo llave en el panel posterior del carrito sobre los tornillos insertados y luego empuje con fuerza. Asegure el panel posterior del carrito (I) a la repisa inferior (A) utilizando 3 tornillos (AA). Apriete los 2 tornillos de los paneles laterales (H&E).



### Aditamentos utilizados



4. Alinie la abrazadera de la puerta frontal superior (Y) a los huecos 1 en el panel del lado izquierdo del carrito (H). Asegure la abrazadera de la puerta frontal superior a 2 usando 2 tornillos (AA). Repita el proceso asegurando la abrazadera de la puerta frontal superior (Y) al panel del lado derecho del carrito (E).



### Aditamentos utilizados

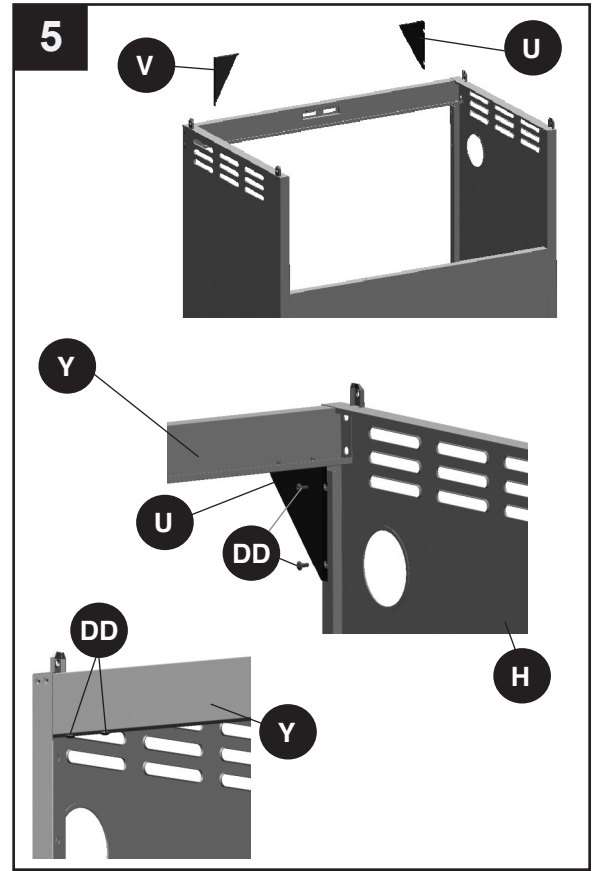




## INSTRUCCIONES DE ENSAMBLAJE

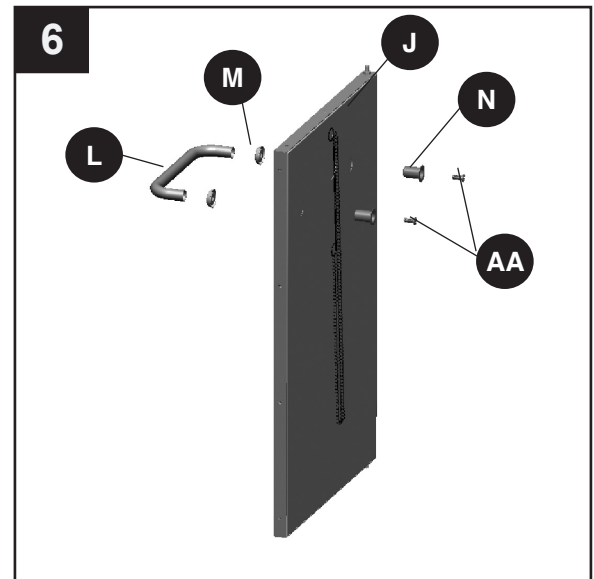
5. Inserte 2 tornillos (DD) en el borde izquierdo de la abrazadera de la puerta frontal superior (Y) pero no los apriete. Deje 4-6mm de separación desde la cabeza del tornillo a la parte inferior de la abrazadera de la puerta frontal superior (Y). Acople el soporte izquierdo de la abrazadera de la puerta frontal superior (U) a los tornillos insertados. Asegúrelo con 2 tornillos adicionales (DD) y apriete los 4 tornillos (DD). Repita lo mismo con el soporte derecho de la abrazadera de la puerta frontal superior (V).

### Aditamentos utilizados



6. Retire los 2 tornillos previamente acoplados (AA) y la unión (N) de la manija de la puerta (L). Inserte las 2 uniones de la puerta (N) dentro de los huecos localizados en la parte posterior del ensamblaje de la puerta (J). Inserte 2 tornillos (AA) dentro de la unión de la manija de la puerta (N), a través de los biselados de la manija de la puerta (M) y de los huecos roscados en las manijas de la puerta (L). Apriete los tornillos como se muestra en la figura inferior. Repita lo mismo con el ensamblaje de la puerta derecha (K).

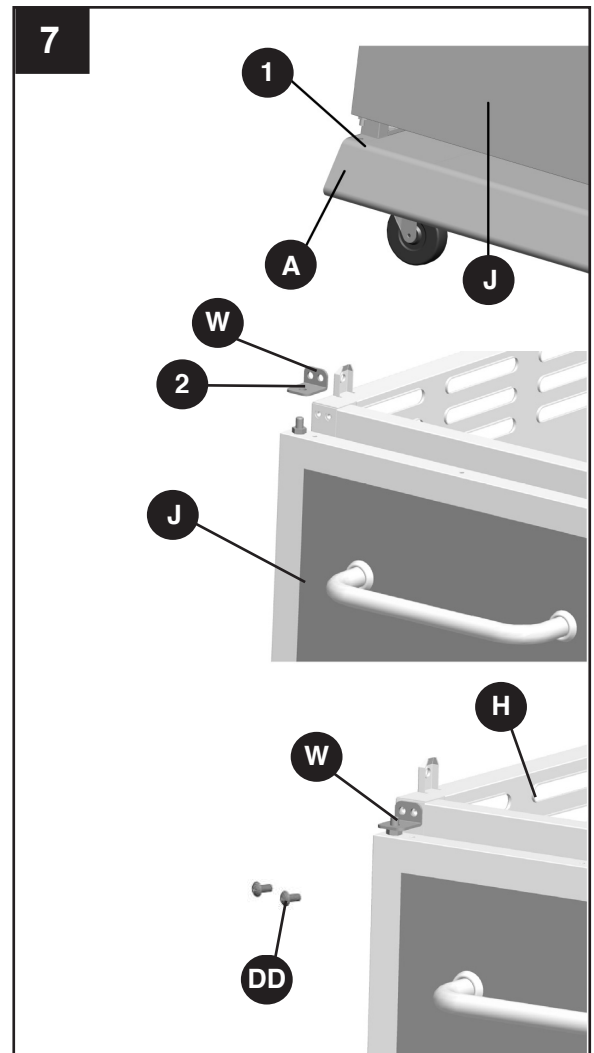
### Aditamentos utilizados



## INSTRUCCIONES DE ENSAMBLAJE

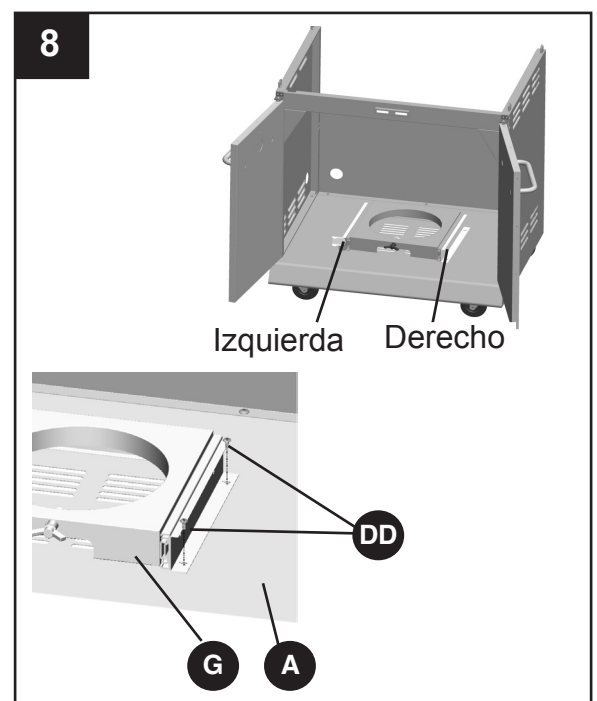
7. Inserte el eje inferior del ensamble de la puerta izquierda (J) dentro del hueco (1) de la repisa inferior. Inserte el eje superior del ensamble de la puerta izquierda (J) dentro del hueco del soporte para el pin de la puerta (W); asegure el soporte para el pin de la puerta (W) al panel del lado izquierdo del carrito (H) utilizando 2 tornillos (DD). Repita lo mismo con el ensamble de la puerta derecha (K).

### Aditamentos utilizados



8. Coloque con mucho cuidado la repisa del tanque (G) sobre la repisa inferior (A). Asegure la parte derecha de la repisa del tanque (G) a la repisa inferior (A) utilizando 2 tornillos (DD); apriete los tornillos. Repita lo mismo para asegurar la parte izquierda de la repisa del tanque (G).

### Aditamentos utilizados

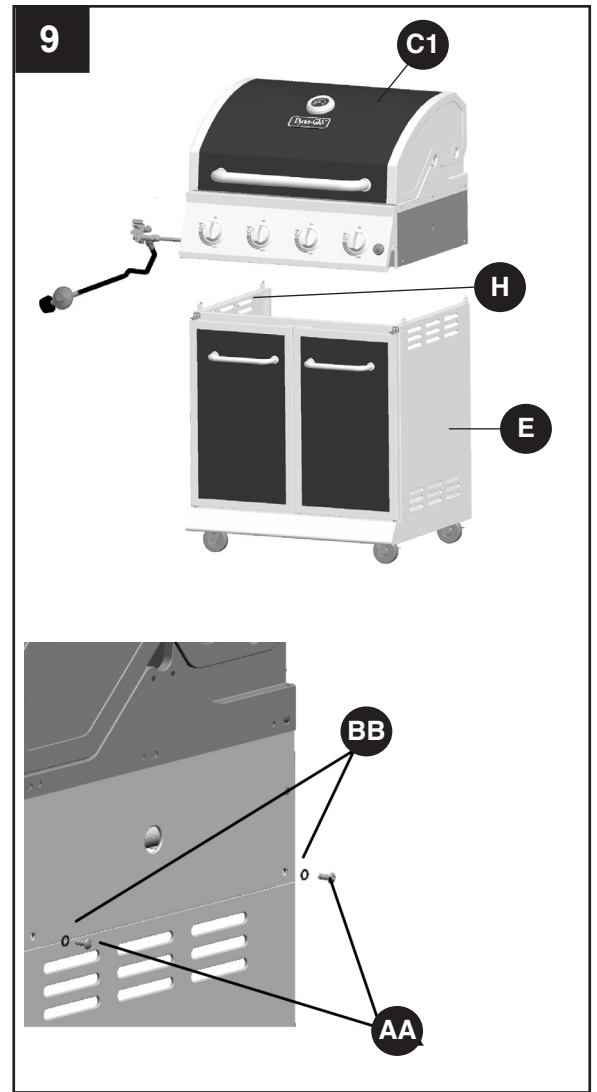


## INSTRUCCIONES DE ENSAMBLAJE

9. Coloque con mucho cuidado el cuerpo de la parrilla (C1) en los paneles de los lados izquierdo y derecho del carrito (H&E). Ajuste el cuerpo de la parrilla (C1) de tal forma que los huecos en el cuerpo de la parrilla (C1) estén alineados con los huecos en las pestañas de los paneles laterales del carrito (H&E).  
 NOTA: Asegúrese de que el ensamble de manguera/regulador de gas quede por fuera del carrito. Asegure el cuerpo de la parrilla (C1) utilizando 2 tornillos (AA) y arandelas planas (BB) en cada lado.

### Aditamentos utilizados

- |           |                |   |     |
|-----------|----------------|---|-----|
| <b>AA</b> | M6x12 Tornillo |  | x 4 |
| <b>BB</b> | Arandela lisa  |  | x 4 |

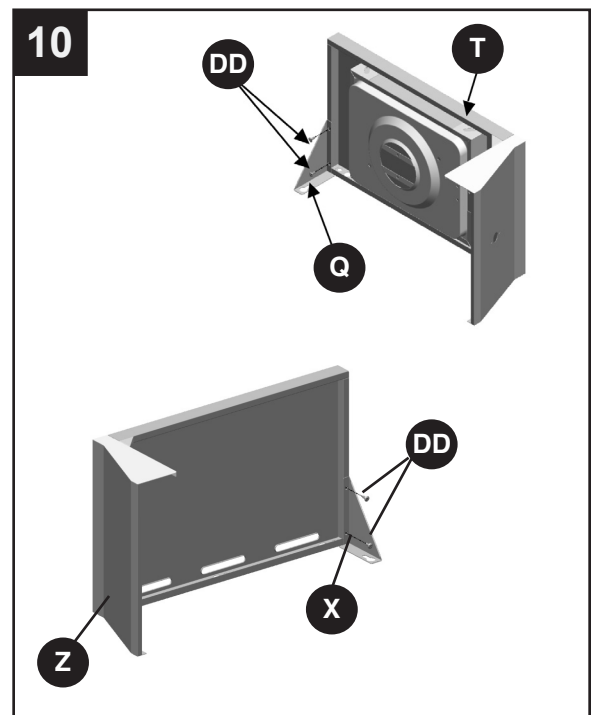


10. Asegure el soporte de la mesa del fogón del lado izquierdo (Q) al ensamble de la mesa del fogón del lado izquierdo (T) mediante 2 tornillos (DD).

Asegure el soporte de la mesa del lado derecho (X) al ensamble de la mesa del lado derecho (Z) utilizando 2 tornillos (DD).

### Aditamentos utilizados



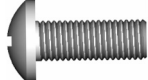
- |           |                |   |     |
|-----------|----------------|---|-----|
| <b>DD</b> | M4x12 Tornillo |  | x 4 |
|-----------|----------------|---|-----|

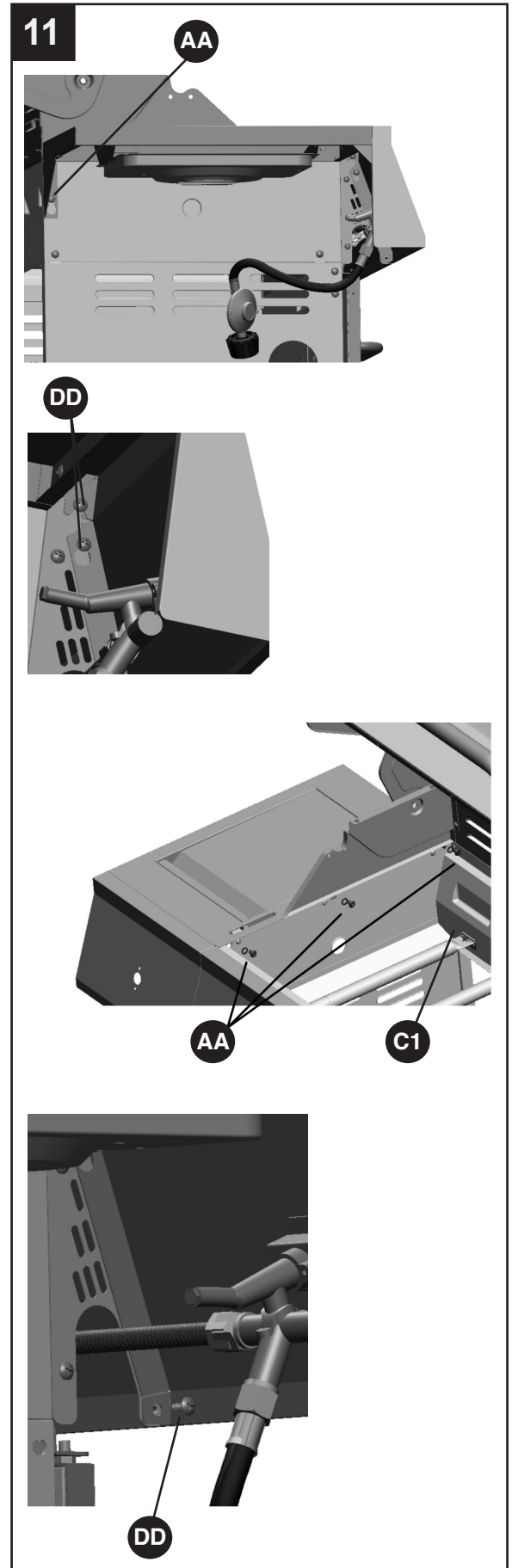


## INSTRUCCIONES DE ENSAMBLAJE

11. Inserte 1 tornillo M6x12 (AA) y 2 tornillos M4x12 (DD) al cuerpo de la parrilla (C1), dejando una separación de 4-6mm desde la cabeza del tornillo al cuerpo de la parrilla (C1). Alíne el ensamble de la mesa del fogón del lado izquierdo (T) a los 3 tornillos insertados. Inserte 3 tornillos (AA) con arandelas planas (BB) a partir de los huecos del cuerpo de la parrilla (C1) hacia el ensamble de la mesa del fogón del lado izquierdo (T). Asegure utilizando 1 tornillo (DD). Ajuste correctamente el ensamble de la mesa del fogón del lado izquierdo (T) y luego apriete todos los tornillos.

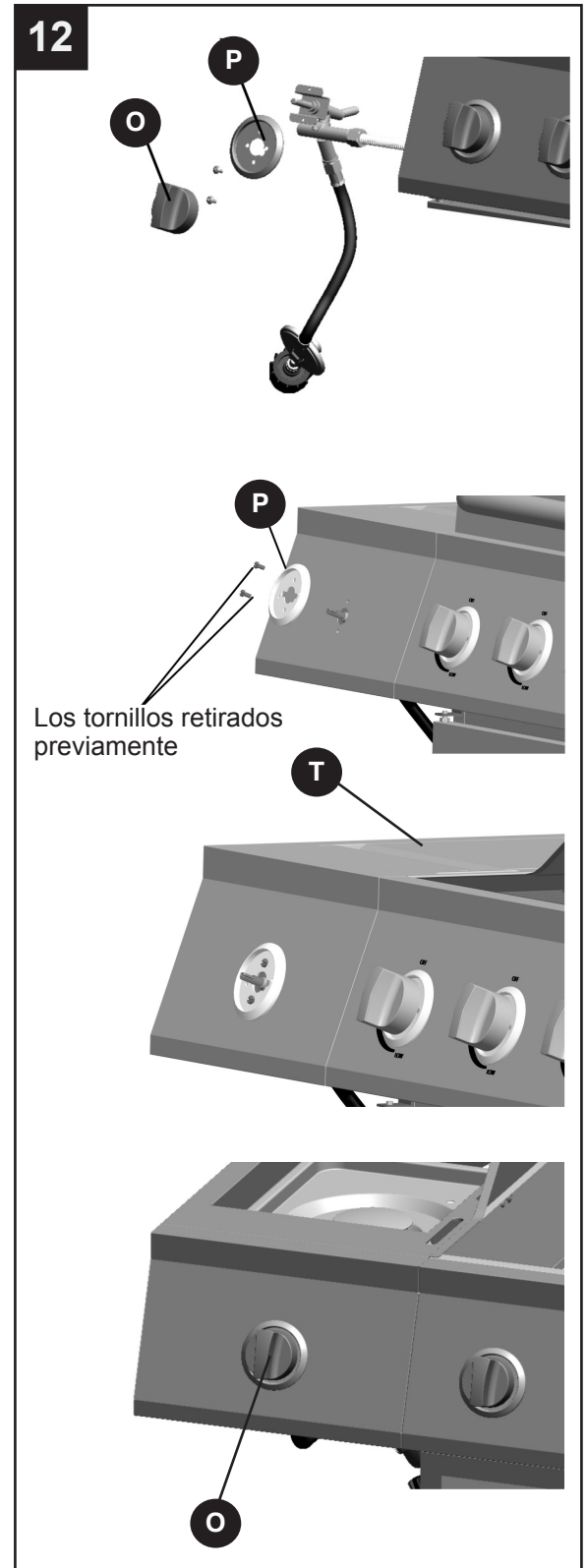
### Aditamentos utilizados

|           |                |   |     |
|-----------|----------------|---|-----|
| <b>AA</b> | M6x12 Tornillo |  | x 4 |
| <b>BB</b> | Arandela lisa  |  | x 3 |
| <b>DD</b> | M4x12 Tornillo |  | x 3 |



## INSTRUCCIONES DE ENSAMBLAJE

12. Retire premontados 2 tornillos de la soporte en el montaje de la válvula del quemador. Retire la perilla de control (O) del fogón lateral pre-ensamblado y el bisel de la perilla de control del fogón lateral (P), del ensamble de válvula del fogón lateral. Asegure el ensamble de válvula del fogón lateral y el bisel de la perilla de control del fogón lateral (P) a la mesa lateral, colocando el ensamble de válvula del fogón lateral debajo de la mesa lateral, y deslizando el vástago de la válvula a través del hueco en el frente de la mesa lateral, manténgalo en su lugar. Coloque el bisel de la manija de control del fogón lateral (P) sobre el vástago de la válvula por la parte de afuera del frente de la mesa lateral, alineando los huecos en el bisel con los huecos en el ensamble de válvula. Asegúrelo volviendo a colocar los tornillos que se habían retirado previamente. Apriete los tornillos. Deslice la perilla de control del fogón lateral (O) sobre el vástago de la válvula.

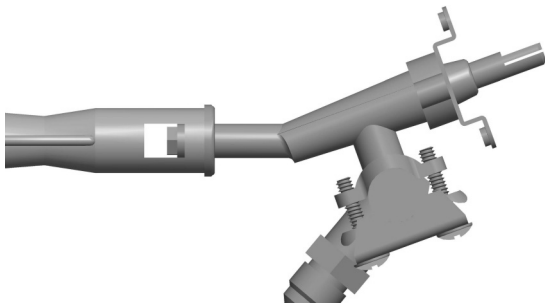


## INSTRUCCIONES DE ENSAMBLAJE

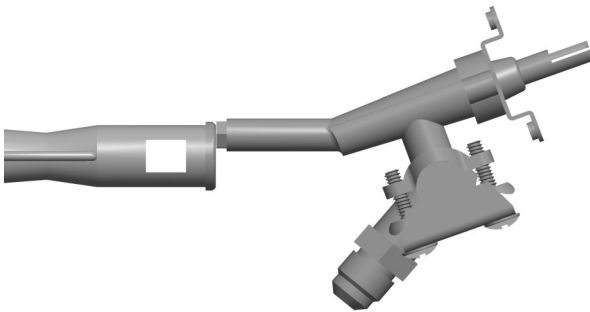
13. Asegure el ensamble del fogón lateral (S) al ensamble de la mesa del fogón del lado izquierdo, utilizando 2 tornillos (DD). Asegúrese de que el orificio del fogón lateral esté colocado dentro del tubo de entrada de gas del fogón lateral. Instale el cableado de encendido al ensamble de electrodo.

### Aditamentos utilizados

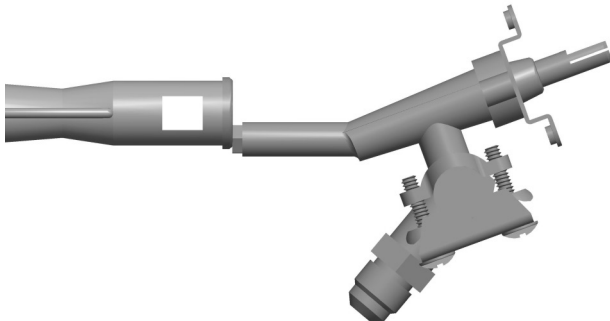
**DD** M4x12 Tornillo  x 2



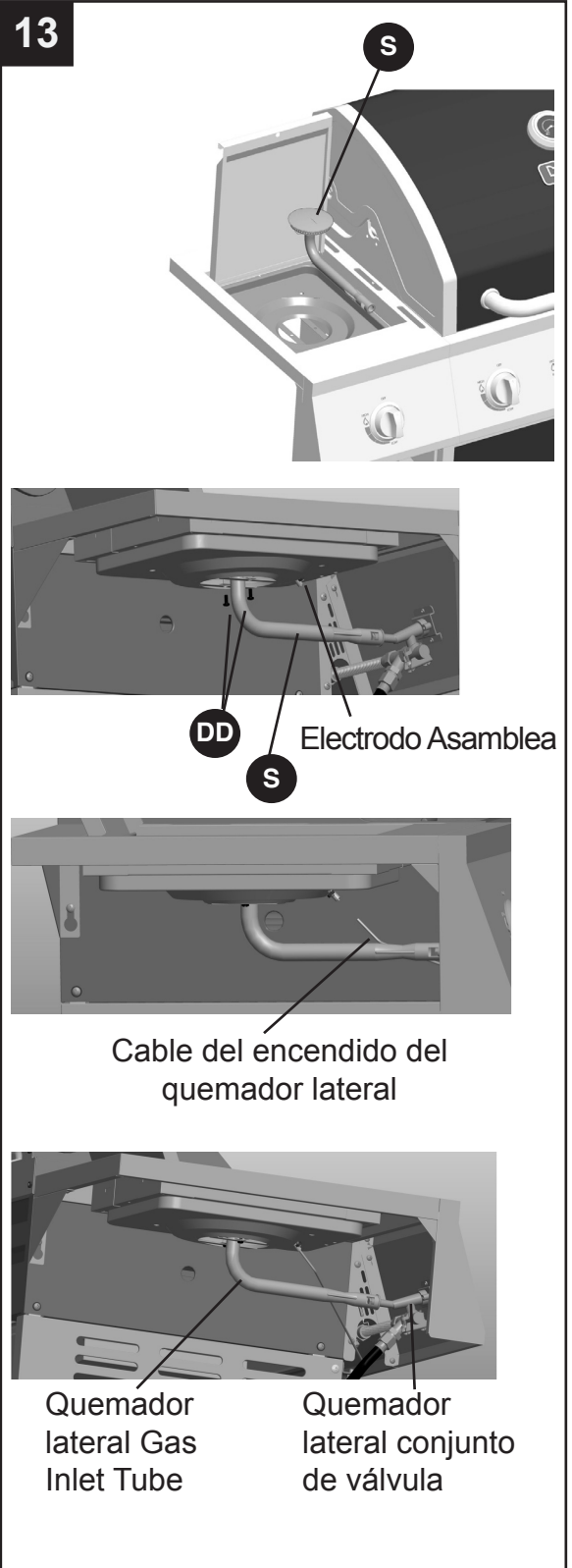
Correcto



Mal





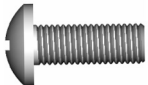
Mal

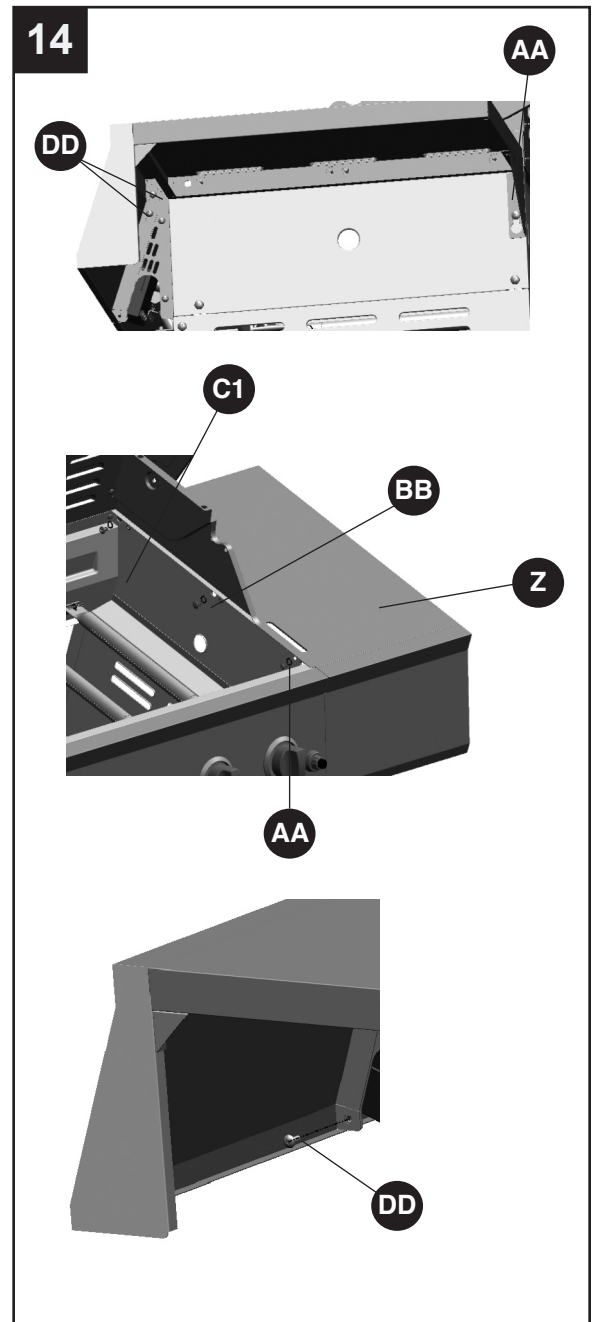


## INSTRUCCIONES DE ENSAMBLAJE

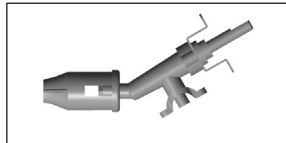
14. .Inserte 1 tornillo M6x12 (AA) y 2 tornillos M4x12 (DD) al cuerpo de la parrilla (C1), dejando una separación de 4-6mm desde la cabeza del tornillo al cuerpo de la parrilla (C1). Alíne el ensamble de la mesa del lado derecho (Z) con los 3 tornillos insertados. Inserte 3 tornillos M6x12 (AA) con arandelas planas (CC) desde los huecos del cuerpo de la parrilla (C1) hacia el ensamble de la mesa del lado derecho (Z). Asegure el ensamble de la mesa del lado derecho (Z) utilizando 1 tornillo M4x12 (DD). Ajuste correctamente el ensamble de la mesa del lado derecho (Z) y luego apriete todos los tornillos.

### Aditamentos utilizados

|           |                |   |     |
|-----------|----------------|---|-----|
| <b>AA</b> | M6x12 Tornillo |    | x 4 |
| <b>BB</b> | Arandela lisa  |   | x 3 |
| <b>DD</b> | M4x12 Tornillo |  | x 3 |



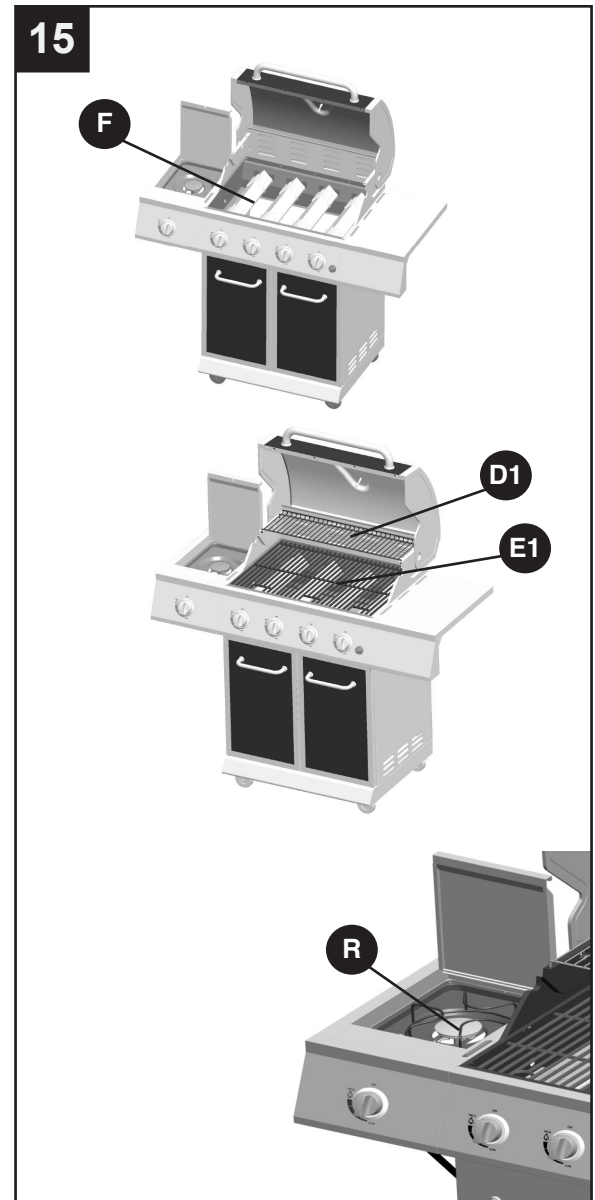
- !** ADVERTENCIA: ES MUY IMPORTANTE VERIFICAR Y ASEGURARSE DE QUE TODOS LOS QUEMADORES ESTEN COMPLETAMENTE ACOPLADOS CON EL ORIFICIO DE LA VALVULA ADYACENTE ANTES DE FINALIZAR EL PASO 15. NO HACERLO PODRIA PROVOCAR UN INCENDIO O UNA EXPLOSION, LO QUE POSIBLEMENTE CAUSARIA LESIONES GRAVES O LA MUERTE. CONSULTE LAS INSTRUCCIONES DE LA SECCION DE MANTENIMIENTO PARA VERIFICAR CORRECTAMENTE EL ACOPLAMIENTO.



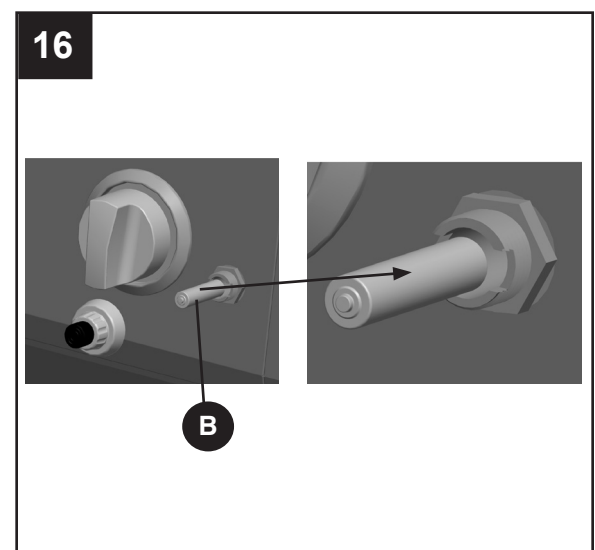


## INSTRUCCIONES DE ENSAMBLAJE

15. Abra la tapa, coloque 5 cubiertas de calor (F), 3 parrillas de cocción (E1) y una rejilla para calentar (D1) en el interior del cuerpo de la parrilla (C1). Coloque la parrilla de cocción del fogón lateral (R) sobre la mesa del fogón del lado izquierdo (T). Inserte la rejilla para calentar (D1) dentro de los cuatro huecos localizados en ambos lados del cuerpo de la parrilla.



16. Retire la tapa del encendedor, inserte una pila AA (B) dentro del cuerpo del encendedor, con el polo positivo '+' hacia afuera. Vuelva a colocar la tapa del encendedor.



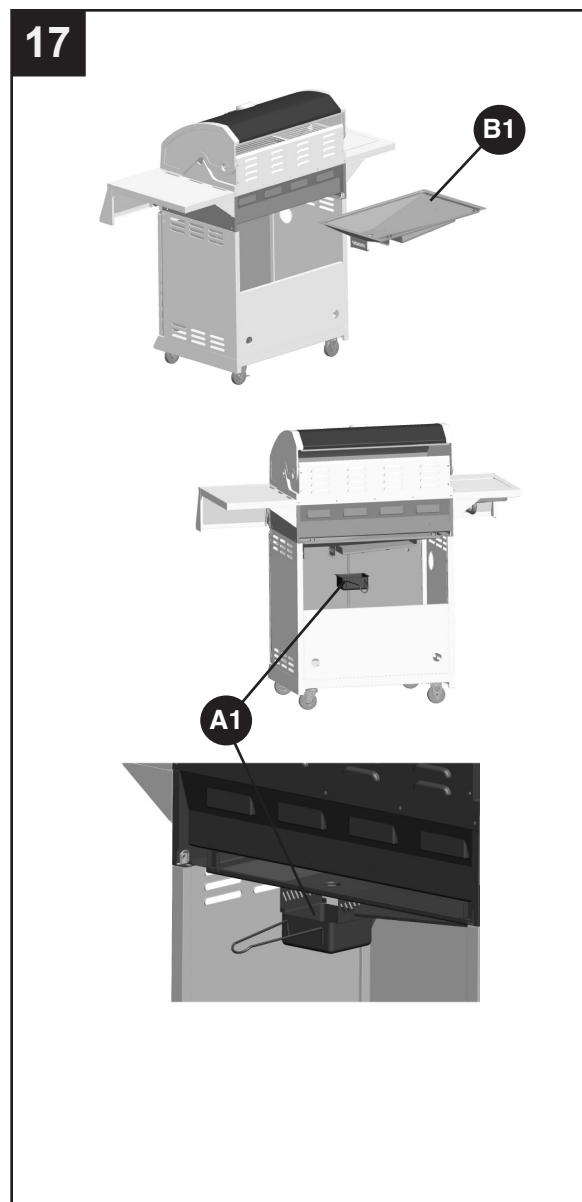


## INSTRUCCIONES DE ENSAMBLAJE

17. Coloque la bandeja para la grasa (B1) en posición, deslizando en el cuerpo de la parrilla por la parte de atrás como se muestra en la figura inferior, a lo largo de los rieles ubicados justo debajo de la cara inferior del cuerpo de la parrilla.

NOTA: Fíjese que no vaya a deslizar la bandeja para la grasa por el lado contrario.

Inserte la taza de la grasa (A1) en posición, deslizando sobre el riel en lado inferior de la bandeja para la grasa como se muestra en la figura inferior.



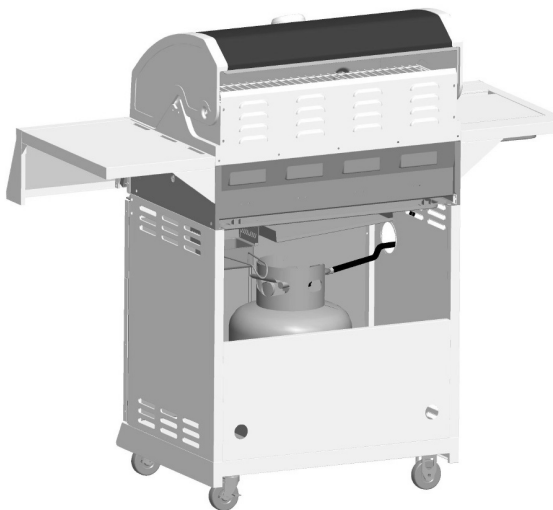
## INSTRUCCIONES DE ENSAMBLAJE

18. Abra el ensamble de la puerta del carrito (J&K), inserte el ensamble manguera/ regulador en el ensamble del carrito a través del hueco en el panel del lado derecho del carrito (H). Hale la repisa del tanque (G) fuera del carrito, coloque el cilindro de gas (vendido por aparte) sobre la repisa del tanque (G). Rote el cilindro de gas hasta que el conjunto manguera/regulador pueda ser fácilmente acoplado a la válvula en el cilindro de PL. Apriete a mano el conjunto manguera/ regulador a la válvula roscada del cilindro de gas PL. Apriete la tuerca retenedora del cilindro de gas. Deslice la repisa del tanque (G) de vuelta al carrito y asegúrela en su lugar girando la placa de aseguramiento del riel de la repisa del tanque por encima y en frente de la repisa del tanque (G).

Completamente montado

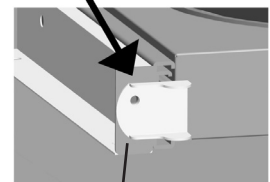
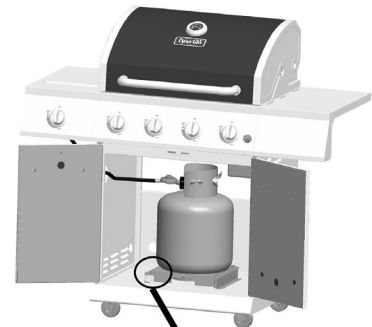
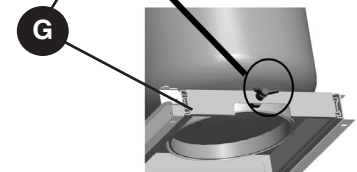
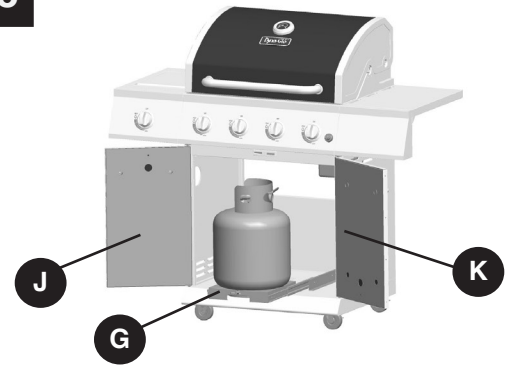


Vista frontal



Vista posterior

18



Estante del tanque de ferrocarril placa de bloqueo

## INSTRUCCIONES DE FUNCIONAMIENTO

---

### BÚSQUEDA DE FUGAS

Después de hacer todas las conexiones, verifique que ninguna de las conexiones y los conectores de la válvula del tanque de gas PL, la manguera de gas ni el regulador tenga fugas con una solución de agua y jabón.

Para evitar incendios o explosiones al revisar una fuga:

- Siempre realice la prueba de fuga antes de encender la parrilla.
- No fume durante la prueba de fuga.
- Siempre realice las pruebas de fugas en exteriores, en un área bien ventilada.
- No utilice ninguna fuente de llamas para realizar la prueba de fugas.
- No use la parrilla hasta que haya corregido todas las fugas.
- Si no puede corregir una fuga, desconecte el suministro de propano y llame a un proveedor de servicios de electrodomésticos a gas.

### REALIZACIÓN DE UNA PRUEBA DE FUGAS

- Prepare una solución de prueba de fugas mezclando 1 parte de detergente líquido para platos y 3 partes de agua. La solución total necesaria es de aproximadamente 59,15 a 88,72 ml (2 a 3 oz). Coloque la solución para pruebas de fuga en una botella con atomizador.
- Asegúrese de que todas las perillas de control estén en la posición **○ APAGADO**.
- Abra la válvula del tanque de gas PL.
- Rocíe la solución para pruebas de fugas en todas las conexiones y los conectores por donde circule gas. La presencia de burbujas donde se aplicó la solución para pruebas indica una fuga de gas. Si detecta fugas o huele u oye gas, cierre el tanque de gas PL inmediatamente y repare o reemplace la pieza defectuosa. No use la parrilla hasta que haya corregido todas las fugas.

## **⚠ PRECAUCIÓN**

**Use solamente el ensamble del regulador y la manguera incluido.** Si necesita un repuesto, llame a nuestro centro de servicio al cliente. No use piezas de repuesto que no están diseñadas para esta parrilla.

## **⚠ ADVERTENCIA**

**TODAS LAS INSTRUCCIONES Y PRECAUCIONES EN ESTA PÁGINA DEBE SEGUIR PARA EVITAR UN INCENDIO, DAÑOS Y / O LESIONES.**

## INSTRUCCIONES DE FUNCIONAMIENTO

### CONEXIÓN DEL CILINDRO DE GAS

El cilindro de suministro de gas propano que se utilizará debe estar fabricado y marcado según las Specifications for LP-Gas Cylinders of the U.S. Department of Transportation (D.O.T.) or the National Standard of Canada, CAN/CSA-B339, Cylinders, Spheres and Tubes for Transportation of Dangerous Goods; and Commission, según corresponda; y debe incluir un dispositivo de prevención de sobrellenado homologado.

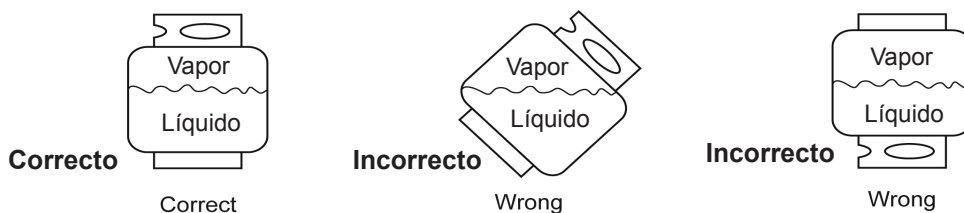
Sólo use cilindros de 9 kg (altura 46 cm, diámetro del tanque 24,99 cm, diámetro de la base: 20,40 cm) equipado con un dispositivo de conexión para el cilindro compatible con la conexión para electrodomésticos para cocinar en exteriores. El cilindro debe incluir un anillo para proteger su válvula. No debe dejar caer el cilindro de gas ni manipularlo bruscamente.

Si no utiliza el electrodoméstico, debe desconectar el cilindro de gas. Puede almacenar la unidad en el interior SÓLO si desconecta y retira el cilindro del electrodoméstico. Los cilindros se deben almacenar en el exterior, fuera del alcance de los niños, y no deben almacenarse en un edificio, garaje o cualquier otra área cerrada. El cilindro nunca se debe almacenar en lugares en que las temperaturas puedan superar los 51,6 °C.

Coloque la tapa en la salida de la válvula del cilindro cuando no esté en uso. Sólo instale el tipo de tapa que se proporciona con la válvula del cilindro en la salida de la válvula del cilindro. Otros tipos de tapas o taponos pueden causar una fuga de propano.

Antes de la conexión, asegúrese de que no haya suciedad en la salida del cilindro de gas, la salida de la válvula del regulador o en la salida y los orificios de los quemadores. Conecte la válvula del regulador y apriete firmemente con la mano. Mantenga la válvula del cilindro de propano cerrada y desconecte el cilindro de propano de la válvula del regulador cuando no use la parrilla.

NO obstruya el flujo del aire de combustión y del aire de ventilación a la parrilla. El cilindro de propano debe estar arreglado para extracción de vapor y equipado con un dispositivo de prevención de sobrellenado homologado. Coloque el cilindro en la orientación correcta para realizar la extracción de vapor. NOTA: El cilindro debe estar completamente vertical para que el cilindro sólo tenga extracción de vapor.



## ⚠ PRECAUCIÓN

- No almacene un cilindro de gas PL de reserva debajo o cerca de este electrodoméstico.
- Nunca llene el cilindro a más del 80% de su capacidad.
- Si no sigue con precisión la información en (a) y (b), puede provocar un incendio que produzca lesiones graves o la muerte.

## INSTRUCCIONES DE FUNCIONAMIENTO

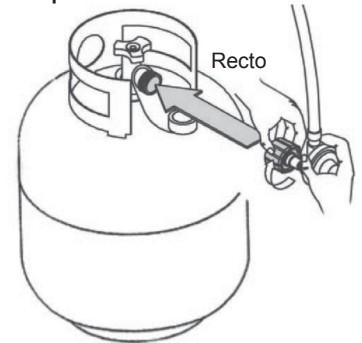
**NOTA:** Es posible que otros cilindros sean aceptables para su uso con este electrodoméstico si es que son compatibles con el orificio de alojamiento y los medios de retención del electrodoméstico. Consulte el Paso 15 de las Instrucciones de ensamblaje para conocer la conexión correcta del cilindro al soporte del cilindro.

### ⚠ ADVERTENCIA

**SE DEBEN SEGUIR TODAS LAS INSTRUCCIONES Y MEDIDAS DE SEGURIDAD DE ESTA PÁGINA PARA EVITAR INCENDIOS, DAÑOS Y/O LESIONES.**

### CONEXIÓN DEL TANQUE DE GAS PROPANO

1. La perilla del tanque de gas propano debe estar cerrada. Asegúrese de girar la perilla en sentido de las manecillas del reloj ↻ hasta que se detenga por completo. Se debe adaptar el sistema de suministro del cilindro para la extracción de vapores.
2. Verifique que la perilla de control en la unidad de control esté apagada.
3. Retire la tapa protectora de la válvula del tanque de gas propano y la tuerca del conector.
4. Sostenga el regulador con una mano e inserte la boquilla en la salida de la válvula. Asegúrese de que la boquilla esté centrada en la salida de la válvula. La tuerca del conector se conecta a las roscas externas grandes en la salida de la válvula. Tenga cuidado, no dañe las roscas de la conexión.
5. Apriete a mano la tuerca del conector en sentido de las manecillas del reloj ↻ hasta que se detenga por completo. Apriete bien, a mano solamente. No use herramientas.



Para desconectar: Cierre completamente la válvula del tanque girándola de las manecillas del reloj ↻. Gire la tuerca de acoplamiento contraria a las manecillas del reloj ↻ hasta que el regulador se separe de montaje.

### ⚠ ADVERTENCIA

**En el proceso de conexión, asegúrese de que:**

- El conector de entrada del regulador coincida con la salida de la válvula del cilindro de manera correcta, segura y firme, y;
- La manguera de gas propano no entre en contacto ni permanezca en contacto con la cámara de combustión.

## INSTRUCCIONES DE FUNCIONAMIENTO

---

### Encender la parrilla

Antes del primer uso:





Retire todos los ahorcamientos o correas de plástico, si está presente. Antes de cocinar en la parrilla de gas nuevo, es importante para limpiar su parrilla con el calor. Para ello, utilice el grill durante unos 15 minutos con la tapa cerrada y el botón de control en la posición más alta. Esto va a limpiar las partes internas de la quema de los residuos y el olor del proceso de fabricación.

## ⚠ PRECAUCIÓN

**Si la llama se apaga de manera accidental durante el encendido o el funcionamiento, CIERRE la válvula del cilindro y la perilla de control de inmediato.**

## ⚠ ADVERTENCIA

**No se incline sobre la parrilla al encenderla. Lea las instrucciones antes de encender la parrilla.**

1. Verifique que las perillas de control estén en la posición  Apague.
2. Abra completamente la válvula del tanque girándola en dirección  contraria a las manecillas del reloj.
3. Abra la tapa durante el encendido.
4. Presione el encendedor 3 a 4 segundos mientras gira la perilla de control lateral derecha a la posición  ALTA. El quemador debe encenderse.  
Si el quemador no enciende en 5 segundos, gire de inmediato la perilla de control a la posición  Apague. Espere 5 minutos y repita el paso 4 que aparece anteriormente o consulte las instrucciones de encendido con fósforo que aparecen a continuación.

Si el quemador continúa sin encenderse, verifique que el cilindro tiene gas y siga las instrucciones de encendido con fósforos.

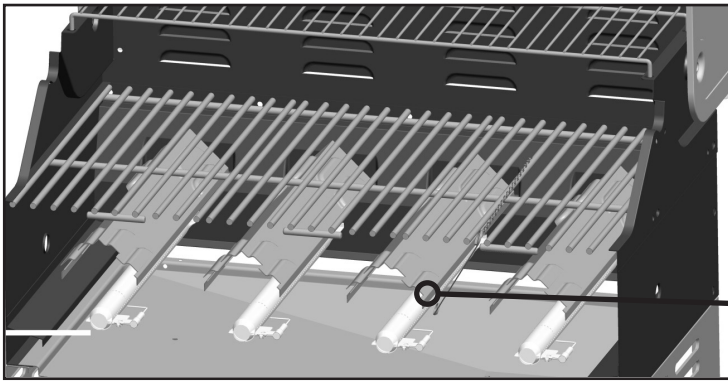
## INSTRUCCIONES DE FUNCIONAMIENTO

### ENCENDIDO DE LA PARRILLA CON UN FÓSFORO

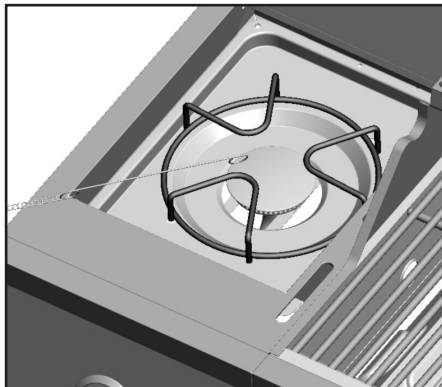
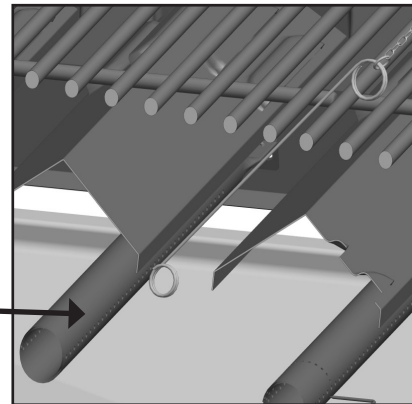
1. Coloque un fósforo en el extremo del contenedor de fósforos instalado en el interior de la puerta del gabinete.
2. Encienda el fósforo.
3. Inmediatamente introduzca el fósforo encendido en el orificio de 1,91 cm (0,75") del costado del cuerpo de la parrilla que esté más cerca del quemador que desea encender. Asegúrese de que el fósforo encendido esté cerca de los orificios del quemador.
4. Presione la perilla de control que opera ese quemador y gírela en dirección ↻ contraria a las manecillas del reloj hasta la posición 🔥 ALTA y el quemador debería encenderse de inmediato.
5. Ajuste los quemadores según el nivel de cocción deseado.

## ⚠ PRECAUCIÓN

Si la llama se extingue accidentalmente durante el encendido o el funcionamiento, **CIERRE** inmediatamente la válvula de cierre de gas manual y luego **APAGUE** la perilla de control.



Quemador Principal Iluminación Partido



Quemador Lateral Encendido

### INSTRUCCIONES DE APAGADO

1. Gire las perillas de control en la ↻ dirección de las manecillas del reloj hacia la posición ○ Apague.
2. Cierre la válvula del tanque completamente girándola en la ↻ dirección de las manecillas del reloj.
3. Cierre la tapa.

Corte el suministro de gas propano en el cilindro cuando no utilice el electrodoméstico.



## CUIDADO Y MANTENIMIENTO

### REJILLAS DE COCCIÓN

El mejor momento para “quemar” la suciedad las rejillas de cocción es después de cada uso (aproximadamente 15 minutos). La parrilla ya está caliente desde la cocción, por lo tanto, requiere menos combustible para obtener la temperatura necesaria para “quemar” la suciedad.

Para “quemar” la suciedad o limpiar con calor la parrilla, gire los quemadores a la posición máxima y déjelos encendidos durante 15 minutos con la tapa cerrada. Luego apague los quemadores y use un cepillo de alambre para limpiar el exceso de residuos de alimentos de las rejillas.

Las rejillas de porcelana tienen un acabado de esmalte (similar al vidrio) y se deben manipular con cuidado para no descascararlas.

## ⚠ PRECAUCIÓN

Asegúrese de que la parrilla esté fría antes de limpiar y realizar mantenimiento y de que tenga el suministro de gas cortado en la válvula de cierre de gas manual.

### ARTÍCULOS DE LIMPIEZA RECOMENDADOS

Detergente líquido suave para platos, agua tibia, almohadilla de limpieza de nailon, cepillo de alambre. NO use limpiadores que contengan ácido, aguarrás ni ninguna sustancia abrasiva.

### SUPERFICIES EXTERIORES

Se recomienda usar sólo detergente para platos suave y agua caliente para limpiar la parrilla y sus piezas. Enjuague con agua tibia.

### BANDEJA INFERIOR INTERIOR DEL CUERPO DE LA PARRILLA

Para evitar llamaradas, la bandeja inferior de la cámara de cocción se debe mantener limpia de forma regular. Retire los residuos con un cepillo, raspador y/o almohadilla de limpieza. Lave con detergente para platos suave y agua tibia. Enjuague con agua tibia. Evite salpicar agua en los tubos venturi de los quemadores.

### CÁMARAS DE CALOR

Limpie los residuos con un cepillo de alambre y lave con detergente para platos suave y agua tibia.

Enjuague con agua tibia.

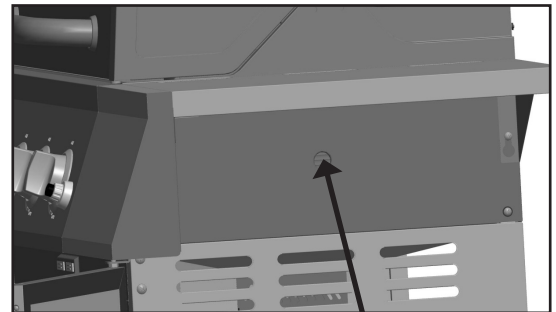
### RECIPIENTE DE GRASA

Vacíe el recipiente de grasa y limpie con detergente para platos suave y agua tibia de forma regular.

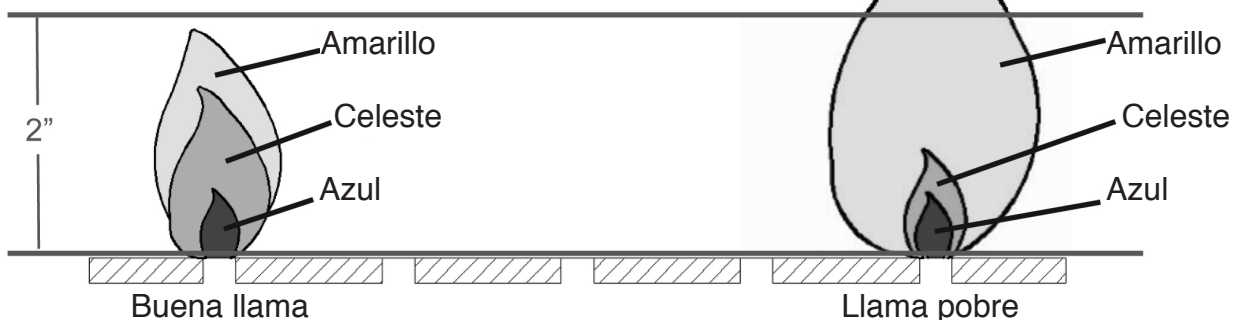
### VERIFICACIÓN DE LA LLAMA

Para una máxima eficiencia del combustible y rendimiento de cocción, la llama debe ser en su mayoría o totalmente de color azul y medir entre 2,54 y 5,08 cm de alto.

Para verificar la llama, vea la llama a través del orificio de encendido con fósforo en el costado de la cámara de combustión.



Agujero para ver la llama



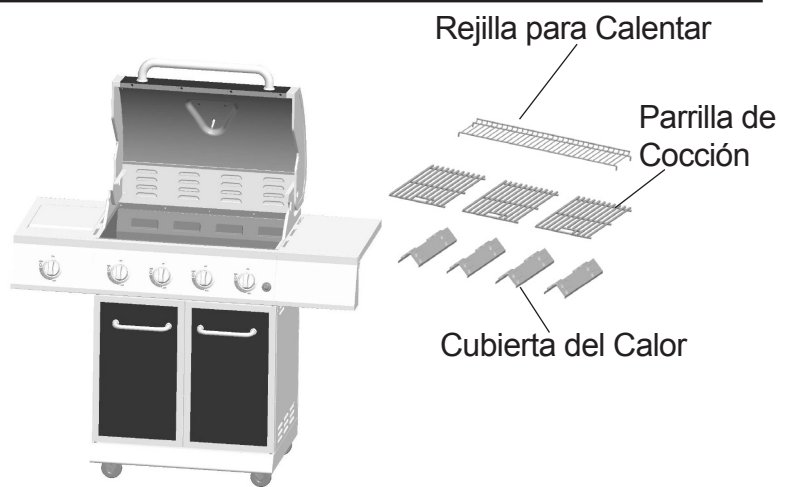
## CUIDADO Y MANTENIMIENTO

### ENSAMBLE DEL QUEMADOR

#### EXTRACCIÓN DEL ENSAMBLE DEL QUEMADOR

1. Asegúrese de que todas las perillas de control se encuentran en la posición de OFF, que la válvula del tanque de PL está cerrada y que el tanque está desconectado del regulador y alejado de la parrilla.

2. Abra la tapa y retire la rejilla para calentar, las rejillas de cocción y las cámaras de calor.



3. Retire el pasador de chaveta como se ilustra en la figura 1. Quite los 2 tornillos que sujetan el electrodo de encendido al quemador, como se ilustra en la Figura 2.

Figura 1

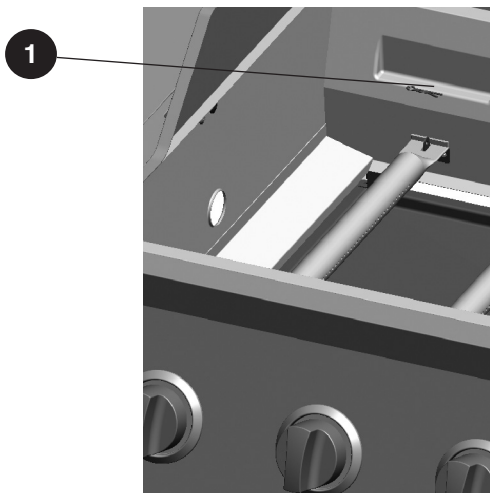
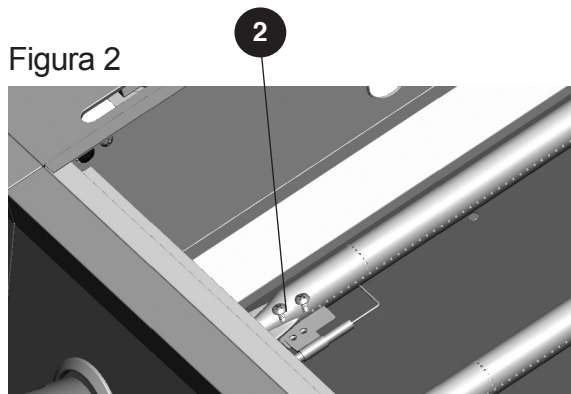
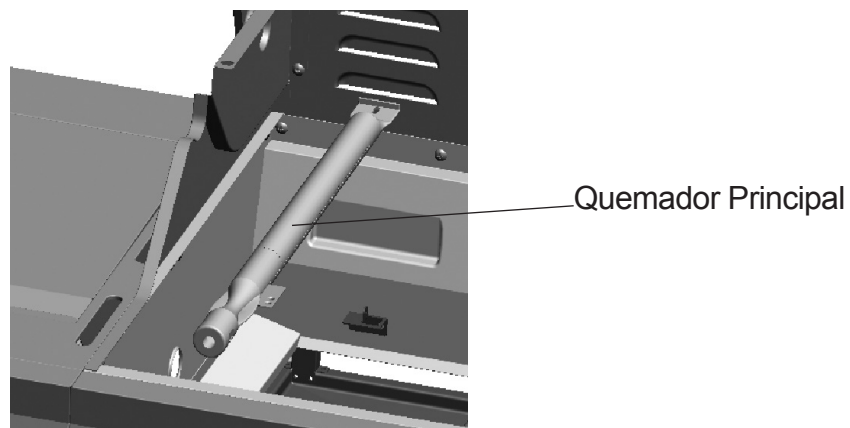


Figura 2



4. Deslice quemadores fuera de la caja de fuego como se muestra.



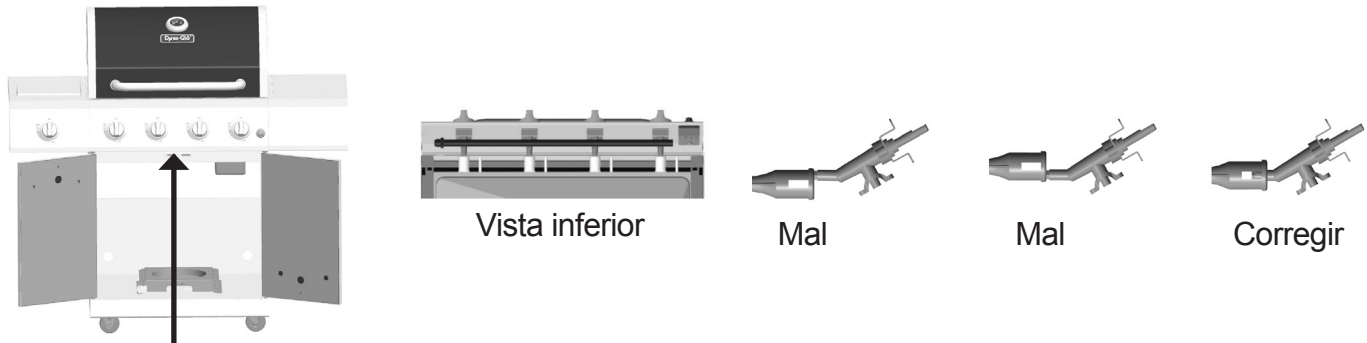
## CUIDADO Y MANTENIMIENTO

### LIMPIEZA DEL ENSAMBLE DEL QUEMADOR – Asegúrese de que la parrilla esté fría

1. Corte el gas en las perillas de control y en el tanque de propano.
2. Desconecte el cilindro de gas PL de la manguera y el regulador.
3. Retire la rejilla para calentar, las rejillas de cocción y las cámaras de calor.
4. Retire el quemador sacando los pasadores de chaveta de la parte posterior de los quemadores para extraerlos de la abrazadera.
5. Retire el cable de encendido del electrodo a mano solamente. NO use pinzas ni ninguna otra herramienta ya que podría dañar el electrodo o el cable.
6. Levante el quemador lentamente.
7. Asegúrese de que todos los orificios del quemador estén libres de obstrucciones. Utilizar un pasador o sujetapapeles funciona bien.
8. Asegúrese de que el quemador no tenga ningún daño. Si el quemador está dañado, reemplácelo por uno nuevo.
9. Asegúrese de que el extremo del quemador y la pantalla para aire primaria estén libres de nidos de insectos, polvo o desechos.

### REINSTALACIÓN DEL QUEMADOR

Asegúrese de que los orificios estén en la posición correcta dentro de la entrada (venturi) del quemador. Es posible que necesite una linterna para garantizar la posición correcta. Se recomienda ver la posición correcta por los orificios de ventilación de la cámara de combustión como se ilustra a continuación.



Ver la posición correcta desde la parte inferior de la caja de fuego

## ⚠ ADVERTENCIA

Si no siguen las instrucciones que aparecen anteriormente, podría producirse un incendio o una explosión y causar lesiones graves o la muerte.

### OTROS CUIDADOS Y MANTENIMIENTO

Se recomienda que un técnico calificado realice una inspección y mantenimiento anual en este electrodoméstico.

Se recomienda que verifique regularmente que no haya materiales combustibles, gasolina ni otros vapores o líquidos inflamables cerca de la zona donde está el electrodoméstico para cocción a gas para exteriores.

Se recomienda que verifique regularmente que el flujo de aire de combustión y ventilación no esté obstruido.

Se recomienda que verifique regularmente que no haya desechos en las aberturas de ventilación del compartimiento del cilindro (gabinete).

Se recomienda que verifique y limpie regularmente el quemador y los tubos venturi para que no haya nidos de insectos. Un tubo obstruido puede ocasionar un incendio debajo de la parrilla.

## CUIDADO Y MANTENIMIENTO

El encendido electrónico requiere 1 batería alcalina "AA", que viene incluida.

### **! ADVERTENCIA**

NO mezcle baterías antiguas con nuevas.  
NO mezcle baterías alcalinas, estándar (carbono-zinc) o recargables (níquel-cadmio).  
NO se deshaga de las baterías en el fuego. Desechar las baterías indebidamente podría provocar que éstas exploten o tengan fugas.

## SOLUCIÓN DE PROBLEMAS

Si tiene preguntas relacionadas con el producto, llame al Servicio al Cliente al 1-877-447-4768, 8:30 a.m. - 4:30 p.m. CST, de lunes - viernes.

| <b>PROBLEMA</b>  | <b>CAUSA POSIBLE</b>   | <b>ACCIÓN CORRECTIVA</b>  |
|--|--|---|
| <b>El quemador no se enciende con el procedimiento del encendedor (se genera una chispa débil o no se genera ninguna).</b> | <ol style="list-style-type: none"><li>1. El electrodo del encendedor puede estar cubierto de grasa o residuos.</li><li>2. El electrodo del encendedor puede tener un cable suelto o desconectado.</li><li>3. El electrodo del encendedor está roto o descompuesto.</li><li>4. La batería está agotada o mal conectada.</li></ol> | <ol style="list-style-type: none"><li>1. Limpie el electrodo del encendedor.</li><li>2. Verifique la conexión y vuelva a conectar cualquier cable suelto o desconectado.</li><li>3. Reemplace el electrodo del encendedor (consulte la lista de piezas de repuesto).</li><li>4. Realice cualquiera de las siguientes acciones:<ol style="list-style-type: none"><li>a. Reemplace la batería.</li><li>b. Verifique que la batería esté insertada correctamente.</li><li>c. Verifique que no haya corrosión alrededor de los terminales de la batería.</li><li>d. Verifique la conexión de los cables como se indica anteriormente.</li></ol></li></ol> |
| <b>El calor es bajo.</b>   | <ol style="list-style-type: none"><li>1. Hay una presión de gas insuficiente en la unidad.</li></ol>   | <ol style="list-style-type: none"><li>1. Llame a una agencia de servicio calificada para verificar la presión de suministro de gas y corrija la presión.</li></ol>  |
| <b>Llamaradas excesivas.</b>   | <ol style="list-style-type: none"><li>1. Hay grasa y/o residuos acumulados en las cámaras de calor o en la cámara de combustión.</li><li>2. Hay un goteo de grasa o marinado desde los alimentos.</li><li>3. La temperatura de cocción es demasiado alta.</li></ol>  | <ol style="list-style-type: none"><li>1. Limpie los componentes de la parrilla.</li><li>2. Corte la grasa de la carne y use marinados que no sean a base de aceite.</li><li>3. Baje la temperatura según corresponda.</li></ol>   |

## SOLUCIÓN DE PROBLEMAS

| <b>PROBLEMA</b>  | <b>CAUSA POSIBLE</b>  | <b>ACCIÓN CORRECTIVA</b>  |
|--|---|---|
| <b>El quemador no se luz con un fósforo.</b>               | <ol style="list-style-type: none"><li>1. El fósforo no alcanza los quemadores (al sostenerlo con la mano).</li><li>2. El suministro de gas está cerrado.</li><li>3. Hay una mala conexión entre el conector del tapón de la manguera de gas y el acoplador de los manguitos.</li><li>4. La entrada del quemador está bloqueada.</li></ol> | <ol style="list-style-type: none"><li>1. Use el soporte para fósforos que se encuentra en la puerta del gabinete.</li><li>2. Verifique que la válvula de cierre de suministro de gas manual esté abierta.</li><li>3. Apague las perillas de la parrilla, cierre la válvula de cierre de suministro de gas y verifique la conexión entre el tapón y el acoplador de los manguitos. Desconecte y vuelva a conectar, si es necesario.</li><li>4. Limpie la entrada del quemador (venturi) y el quemador como se describe en la sección Cuidado y mantenimiento de este manual.</li></ol> |
| <b>No hay flujo de gas o un obstruido el flujo de gas.</b> | <ol style="list-style-type: none"><li>1. El suministro de gas está cerrado.</li><li>2. Hay una mala conexión entre el conector del tapón de la manguera de gas y el acoplador de los manguitos.</li><li>3. La entrada del quemador está bloqueada.</li></ol>  | <ol style="list-style-type: none"><li>1. Verifique que la válvula de cierre de suministro de gas manual esté abierta.</li><li>2. Apague las perillas de la parrilla, cierre la válvula de cierre de suministro de gas y verifique la conexión entre el tapón y el acoplador de los manguitos. Desconecte y vuelva a conectar, si es necesario.</li><li>3. Limpie la entrada del quemador (venturi) y el quemador como se describe en la sección Cuidado y mantenimiento de este manual.</li></ol>   |

## **GARANTÍA LIMITADA**

---

### **1 año de garantía limitada**

Esta parrilla a gas PL está garantizada por 1 año contra piezas rotas o dañadas desde la fecha de compra. Se garantiza que está libre de defectos. La pintura está garantizada contra defectos, salvo la oxidación, la cual puede aparecer después del uso repetido.

Esta garantía no cubre daños o problemas ocasionados por negligencia, abuso o modificaciones al electrodoméstico. Los gastos de reparación no están cubiertos.

Todas las piezas que cumplan con los requisitos de la garantía se enviarán sin cargo por el medio que decida el fabricante (envíos por tierra, correo de EE.UU. o servicios de paquetes postales ÚNICAMENTE). Cualquier otro gasto especial de manipulación (es decir, envíos de dos días, al día siguiente, etc.) será de responsabilidad del cliente.

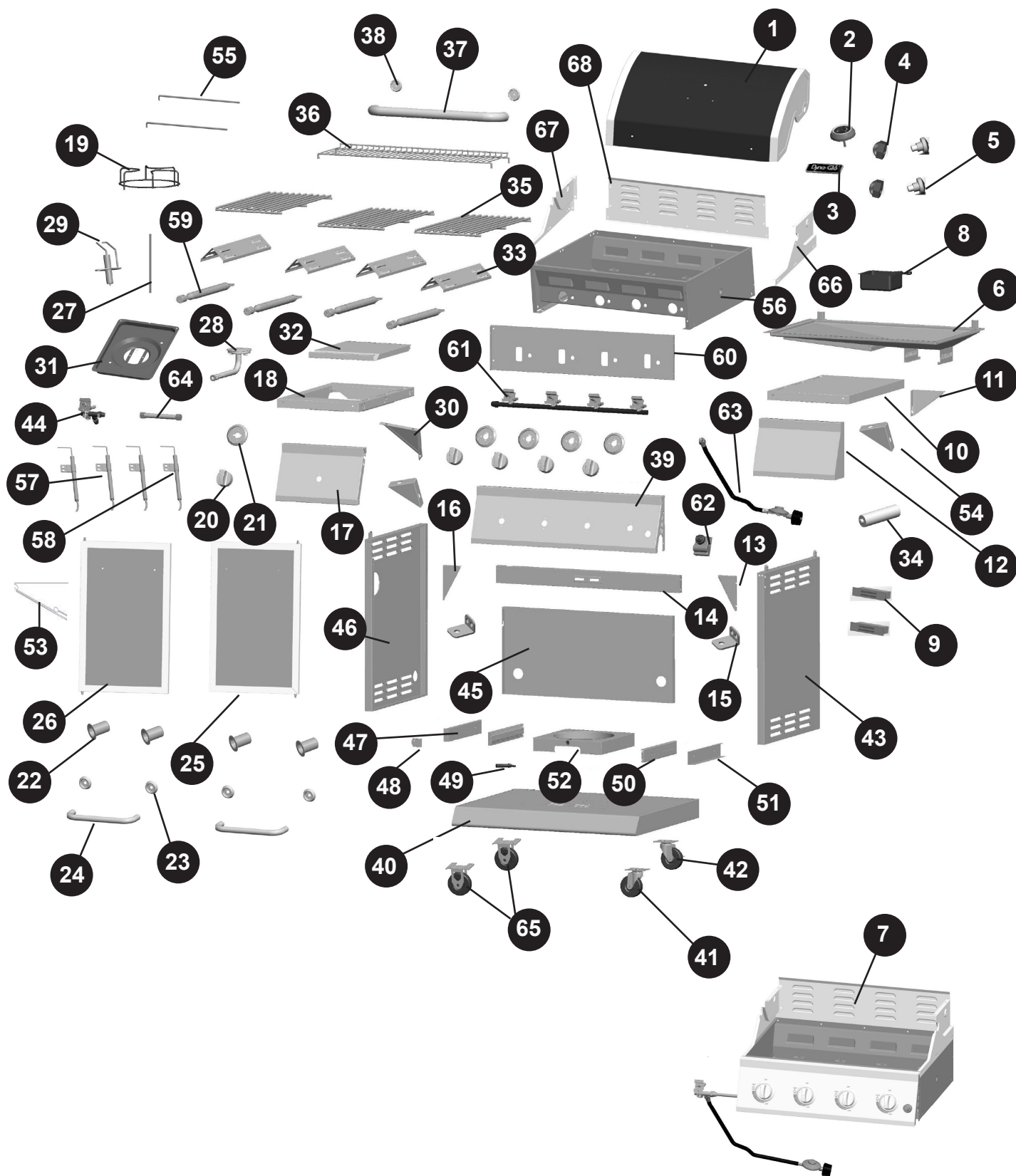
Todos las reclamaciones de garantía se aplican sólo al comprador original y requieren un comprobante de compra para verificar la fecha de la misma. No devuelva piezas sin antes obtener un número de autorización para la devolución de nuestro Servicio al Cliente. Este servicio está disponible llamando gratis al 1-877-447-4768, de 8:30 am - 4:30 pm, hora central, de lunes - viernes.

AVISO: Algunos estados no permiten la exclusión o limitación de daños accidentales o resultantes, o limitaciones en cuanto al período de duración de una garantía, de modo que las limitaciones o exclusiones anteriores pueden no aplicarse a usted. Esta garantía le otorga derechos legales específicos, pero podría tener también otros derechos legales que varían según el estado.

GHP Group Inc.  
6444 W. Howard Street  
Niles, IL, USA  
60714-3302

Nombre del artículo: Parrilla a Gas PL de 4 Fogones  
Modelo #: M486BBDG14/M486BBDG14-D/ M486RDDG14/  
M486RDDG14-D/M486GMDG14/M486GMDG14-D  
Clasificación de: 40,000 BTU/Hr  
BTU del quemador lateral nominal: 12.000 BTU/Hr

# LISTA DE PIEZAS DE REPUESTO





## LISTA DE PIEZAS DE REPUESTO

Para obtener piezas de repuesto, llame a nuestro Departamento de Servicio al Cliente al 1-877-447-4768, de 8:30 am - 4:30 pm, hora central, de lunes - viernes.

| PART | DESCRIPTION  | PART #      |
|------|--|-------------|
| 1    | Tapa de montaje - M486BBDG14/M486BBDG14-D                          | 106 - 02001 |
|      | Tapa de montaje - M486RDDG14/M486RDDG14-D                          | 106 - 02030 |
|      | Tapa de montaje - M486GMDG14/M486GMDG14-D                          | 106 - 02040 |
| 2    | Temperatura conjunto de galga                                      | 104 - 12005 |
| 3    | divisa   | 104 - 22006 |
| 4    | M6 tornillo con pivote cap-especialmente tapa segura pin           | 104 - 12001 |
| 5    | Tapa del pasador de pivote   | 104 - 12002 |
| 6    | Grease pan montaje   | 106 - 04013 |
| 7    | Firebox montaje - incluye paragolpes tapa                          | 167 - 03001 |
| 8    | Grease taza montaje  | 104 - 04014 |
| 9    | puerta Imán  | 104 - 14020 |
| 10   | Mesa auxiliar derecha  | 105 - 04001 |
| 11   | Soporte para mesa lateral derecho                                  | 105 - 04003 |
| 12   | Mesa auxiliar en el panel frontal de montaje derecha               | 105 - 14001 |
| 13   | Soporte derecho de llave de la puerta delantera superior           | 166 - 14002 |
| 14   | Puerta frontal superior corsé                                      | 166 - 04011 |
| 15   | Apoyo a la puerta pin  | 105 - 14024 |
| 16   | Soporte izquierdo para abrazadera superior puerta principal        | 105 - 14025 |
| 17   | Lado delantero tabla del panel izquierdo                           | 105 - 44001 |
| 18   | Lado izquierdo quemador  | 105 - 44002 |
| 19   | Cocina Side parrilla del quemador                                  | 105 - 44003 |
| 20   | La perilla de control  | 104 - 13010 |
| 21   | Control de bisel perilla   | 104 - 13009 |
| 22   | Puerta manga mango   | 104 - 14023 |
| 23   | Door bisel mango   | 104 - 14022 |
| 24   | tirador  | 104 - 14021 |
| 25   | Montaje de la puerta derecha-M486BBDG14/M486BBDG14-D               | 106 - 04020 |
|      | Montaje de la puerta derecha-M486RDDG14/M486RDDG14-D               | 106 - 04030 |
|      | Montaje de la puerta derecha-M486GMDG14/M486GMDG14-D               | 167 - 04020 |
| 26   | Montaje de la puerta izquierda-M486BBDG14/M486BBDG14-D             | 106 - 44020 |
|      | Montaje de la puerta izquierda-M486RDDG14/M486RDDG14-D             | 106 - 44030 |
|      | Montaje de la puerta izquierda-M486GMDG14/M486GMDG14-D             | 167 - 44020 |
| 27   | Cable del encendido del lado del quemador                          | 105 - 44004 |
| 28   | Quemador lateral con riesgo de tubo incluye tornillo para fijarla. | 105 - 44005 |
| 29   | Electrodo de encendido de montaje del quemador lateral             | 105 - 44006 |
| 30   | Apoyo a la tabla de la izquierda del quemador lateral              | 105 - 44007 |
| 31   | Quemador lateral sopa placa  | 105 - 44008 |
| 32   | Cubierta lateral del quemador                                      | 105 - 44009 |
| 33   | Heat tienda  | 105 - 13003 |
| 34   | Pila AA (1,5 V)  | 104 - 05002 |
| 35   | parrilla de cocción  | 166 - 13002 |
| 36   | rejilla de calentamiento   | 167 - 13001 |
| 37   | Tapa mango   | 106 - 12003 |
| 38   | Tapa bisel mango   | 105 - 12004 |

## LISTA DE PIEZAS DE REPUESTO

| REF. | DESCRIPCIÓN  | PIEZA #     |
|------|--|-------------|
| 39   | Panel de control conjunto  | 106 - 13008 |
| 40   | Estante inferior   | 166 - 04006 |
| 41   | Sin bloqueo rueda giratoria (3") - Incluye 4 tornillos/arandelas planas/arandelas de resorte | 105 - 04017 |
| 42   | Bloqueo de rueda giratoria (3") - Incluye 4 tornillos/arandelas planas/arandelas de resorte  | 105 - 04019 |
| 43   | Cesta de panel lateral derecha   | 105 - 04010 |
| 44   | Lado de la válvula del quemador y el ensamble de la manguera                                 | 105 - 13016 |
| 45   | Cesta panel trasero  | 166 - 04008 |
| 46   | Carro del panel lateral izquierdo  | 105 - 04009 |
| 47   | Estante del tanque de retención de una placa   | 105 - 34001 |
| 48   | Estante del tanque de ferrocarril placa de bloqueo   | 105 - 34002 |
| 49   | Tornillo de sujeción del cilindro  | 105 - 34003 |
| 50   | Carril   | 105 - 34004 |
| 51   | Estante placa de retención del tanque B  | 105 - 34005 |
| 52   | Tanque de asiento  | 105 - 34006 |
| 53   | Coincidir titular-con cadena y tornillo para fijar   | 104 - 14024 |
| 54   | Mesa auxiliar de soporte del panel frontal - triángulo placa                                 | 105 - 14003 |
| 55   | Quemador lateral cubierta de eje   | 105 - 44010 |
| 56   | Firebox montaje-soldadura estructura   | 107 - 13005 |
| 57   | Quemador eléctrico principal conjunto de electrodos A-con cable largo                        | 105 - 13012 |
| 58   | Quemador principal conjunto de electrodos eléctrico B-con cable corto                        | 105 - 13017 |
| 59   | Quemador principal con cierre de seguridad   | 105 - 13011 |
| 60   | Escudo térmico delantero   | 106 - 05001 |
| 61   | Válvula principal y el tubo de gas   | 166 - 13006 |
| 62   | Encendedor electrónico   | 166 - 13007 |
| 63   | Regulador y manguera de montaje  | 105 - 13014 |
| 64   | Corrugado tubo de montaje  | 105 - 13028 |
| 65   | Rueda direccional(3")*   | 105 - 04020 |
| 66   | Panel superior Firebox - derecha   | 105 - 13015 |
| 67   | Panel superior Firebox - izquierda   | 105 - 13004 |
| 68   | Panel superior Firebox - trasero   | 105 - 13029 |
| n/a  | Paquete de hardware  | 166 - 55001 |
| n/a  | Instruction Manual del propietario   | 70-10-038   |

\*Hardware incluido