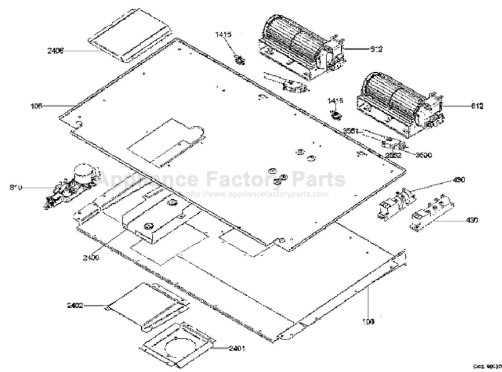


This Owner's Manual is provided and hosted by [Appliance Factory Parts](http://Appliance Factory Parts).



# Bertazzoni PRO304INSNE Owner's Manual

[Shop genuine replacement parts for Bertazzoni  
PRO304INSNE](#)



[Find Your Bertazzoni Electric Range Parts - Select From 207 Models](#)

----- Manual continues below -----



M70QPTU1NE.UP  
PRO304INSNE - GAS COOKER -





<b>N</b>	<b>Reference number</b>	<b>Description</b>
01	6016008	WIRING
01	6016020	WIRING
01	601663	WIRING
01	601665	WIRING
01	Z200148	WIRING
02	3100106	USER MANUAL
02	3100107	
09	3070593	BADGE
38	306032	THERMOSTAT CLIP
38	306003	THERMOSTAT CLIP
38	306031	THERMOSTAT CLIP
105	202650	UP SUPPORT FOR AXIAL COOLIN FAN
106	202649	DOWN SUPPORT FOR AXIAL COOLIN FAN
117	150012	PROTECTION FOR VENTILATED OVEN
117	150002	PROTECTION FOR VENTILATED OVEN
120	101471	OVEN TRAY 20mm
138	2020005	DISHWARMER BOTTOM
138	201200	DISHWARMER BOTTOM
138	202798	DISHWARMER BOTTOM
149	Z200149	LIN-BUS 250MM
151	Z200151	LIN-BUS 500MM
166	050013	INSIDE OVEN DOOR
166	050003	INSIDE OVEN DOOR
176	202678	CARTER COOLING FAN



**M70QPTU1NE.UP**  
PRO304INSNE - GAS COOKER -

<b>N</b>	<b>Reference number</b>	<b>Description</b>
176	202655	CARTER COOLING FAN
274	202444	CROSS MEMBER
312	200335	OVEN GLASS SUPPORT
313	301073	SCREW 5MAX10 TCT
329	309180	INSIDE DOOR PAN COMPARTMENT SPACER
329	309149	INSIDE DOOR PAN COMPARTMENT SPACER
330	309035	FIXING BUSH FOR RETAINER HEADPIECE F6-M6
388	301133	SCREW 4,2X13
389	301004	SCREW 5MA X 8 T 1/2 T
393	309154	PAWL
430	415112	ACCUMULATOR
440	402167	CATALYST
441	404501	SIDE GRID FOR OVEN
442	404532	GRID FOR OVEN
443	404545	GRID FOR TRAY
444	202579	FLASK HINGE
446	405109	OVEN DOOR HINGE
446	405081	OVEN DOOR HINGE
446	405093	OVEN DOOR HINGE
478	125169	FLAP DOOR BLACK
568	508039	PROBE
609	309151	CORE HITCH
610	603023	LOOK DOOR MOTOR
611	603020	OVEN CONVECTION FAN



<b>N</b>	<b>Reference number</b>	<b>Description</b>
612	603019	COOLING FAN
613	606079	OVEN RESISTANCE 2100W 230V
614	606080	RESISTENCE 3400W 240V
615	606076	CIRCULAR HEATER 3300W
623	608048	OVEN BULB WITH HOLDER
624	309150	CORD FASTENER
641	602046	COMMUTATOR 8+0
642	602047	TEMPERATURE SELECTOR
647	602071	ENERGY REGULATOR
648	607027	TERMINAL SEPARATOR
649	608050	RED LED
649	608051	BLU LED
652	6010006	CABLE DRT/SRDT 2XAWG6(L1,L2)+2XAWG8(N,G)
654	Z200145	SEPARATOR
655	Z200146	ALLUMINIUM TANK
656	Z200147	PLASTIC TOUCH SUPPORT
658	409115	DISPLAY
659	409050	LOGIC CARD
659	Z200150	LIN-BUS 350MM
660	409116	CONTROL BOARD
662	602049	THERMOSTAT
917	125027	SIDE BLACK
929	2020238	RIGHT VERTICAL VENT
929	202586	RIGHT VERTICAL VENT



<b>N</b>	<b>Reference number</b>	<b>Description</b>
930	202214	FEET SUPPORT
940	201246	FIXING FOR WORK TABLE
940	201168	FIXING FOR WORK TABLE
973	200405	PLATE FRONT PANEL
973	200422	PLATE FRONT PANEL
1024	Z200137	INDUCTION GLASS/TRIM
1044	401906	KNOB
1143	910915	UPSTAND KIT
1406	403606	OVEN HANDLE
1407	406449	OUTER OVEN DOOR GLASS
1409	411110	GLASS OVEN GASKET
1409	411112	GLASS OVEN GASKET
1411	411111	GASKET FOR OVEN FRONT
1414	602050	THERMOSWITCH
1415	602048	THERMOREGULATOR
1421	406448	INNER/MIDDLE OVEN DOOR GLASS
1508	125170	OVEN DOOR BLACK
1602	2100156	CONTROL PANEL
1614	201202	BACK PANEL
1615	2020257	CONTROL SUPPORT
1622	608049	SMALL BUD
1624	P70QX	INDUCTION WORK TABLE
1639	2020239	LEFT VERTICAL VENT
1639	202587	LEFT VERTICAL VENT



<b>N</b>	<b>Reference number</b>	<b>Description</b>
1644	414058	S.STEEL LEG
1644	414048	S.STEEL LEG
1645	414063	BASE FOR LEGS
1645	414031	BASE FOR LEGS
1645	414052	BASE FOR LEGS
1677	150015	
1677	150005	FRONT PANEL BLACK
1687	202653	UNDER OVEN CARTER
1712	202643	INNER GLASSES FRAME RIGHT
2014	202654	CARTER THIRD GLASS
2019	202645	RIGHT SIDE CHASSIS
2020	202644	LEFT SIDE CHASSIS
2023	202646	REAR SIDE CHASSIS
2098	202647	ELECTRIC RESISTANCE COMPARTMENT
2130	202651	GRILL PROTECTION
2131	150014	FRONTAL SCREEN GRILL
2131	150004	FRONTAL SCREEN GRILL
2185	202829	HIGH INSIDE DOOR SPACER
2236	202648	CROSS MEMBER
2300	202803	SUPPORT LOGIC CARD
2300	202573	SUPPORT LOGIC CARD
2305	201192	EQUERRE SUPPORT FERME CABLE
2309	201145	PLATE
2317	202720	THERMOSTAT SUPPORT



<b>N</b>	<b>Reference number</b>	<b>Description</b>
2400	202571	LOOK DOOR CARTER
2401	202568	CARTER CATALYST
2402	202569	HOOD CATALYST
2405	201194	PANEL INSPECTION LOGIC CARD
2406	202572	DOOR FOR INSPECTION LOOK DOOR
2501	108887	LATERAL SCREEN FIBER GLASS
2504	108915	OVEN DOOR BAFFLE
2506	202652	PROTECTION GLASS FIBER INSIDE OVEN DOOR
3201	402453	GLASS FIBER FOR MUFFLE
3201	402176	GLASS FIBER FOR MUFFLE
3215	402454	UP/DOWN GLASS FIBER FOR MUFFLE
3215	402175	UP/DOWN GLASS FIBER FOR MUFFLE
3220	402177	BACK FIBER GLASS FOR MUFFLE
3230	402168	GLASS FIBER FOR CHASSIS
3240	402165	GLASS FIBER FOR OVEN DOOR
3245	402456	GLASS FIBER FOR OVEN DOOR
3245	402174	GLASS FIBER FOR OVEN DOOR
3250	402179	FIBER GLASS FOR OVEN DOOR
3260	402164	VERTICAL GLASS FIBERE FOR OVEN DOOR
3265	402455	KIT GLASS FIBER FOR OVEN DOOR
3265	402178	GLASS FIBER FOR OVEN DOOR
3500	604075	SWITCH
3551	604076	SWITCH BLADE
3552	604077	SWITCH SUPPORT





<b>N</b>	<b>Reference number</b>	<b>Description</b>
4301	125168	RIGHT SIDE PROFILE BLACK
4302	125167	LEFT SIDE PROFILE BLACK
6002	610005	PLATE INDUCTION
6004	610006	PLATE INDUCTION
6005	610007	PLATE INDUCTION
50004	050014	MUFFLE
50004	050004	MUFFLE



## #PRO304INSNE F.LLI BERTAZZ\*USA G20/10

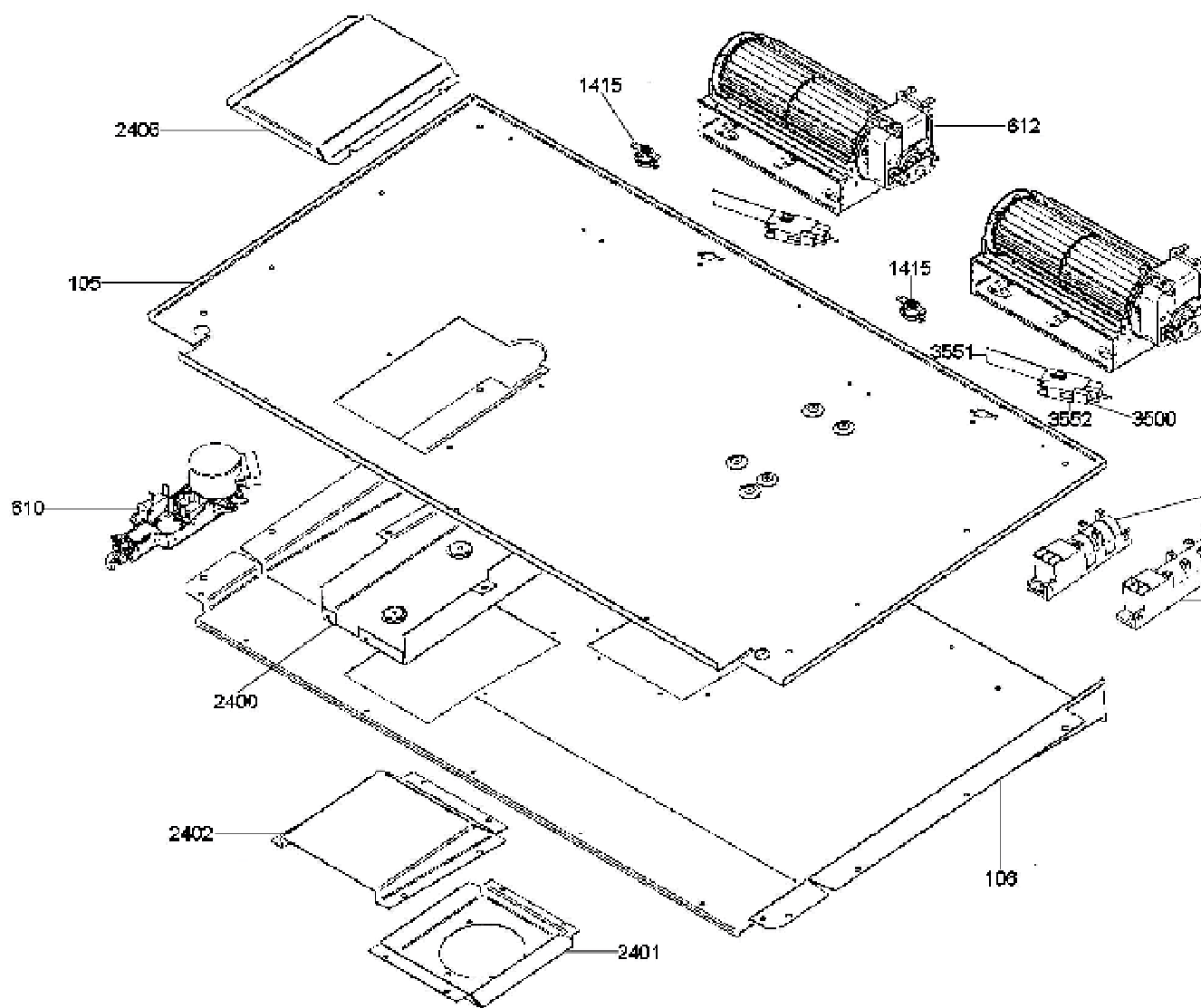
### GENERIC

---

10	800338	<i>EXPLODED COOLING FAN -</i>
11	800340	<i>EXPLODED VIEW OF DOTATION -</i>
12	800401	<i>EXPLODED VIEW OF OVEN -</i>
13	800403	<i>EXPLODED VIEW OF STRUCTURE -</i>
14	800645	<i>EXPLODED VIEW OF WORK TABLE -</i>
15	800720	<i>EXPLODED OVEN DOOR -</i>
16	800971	<i>EXPLODED VIEW OF WORK TABLE -</i>

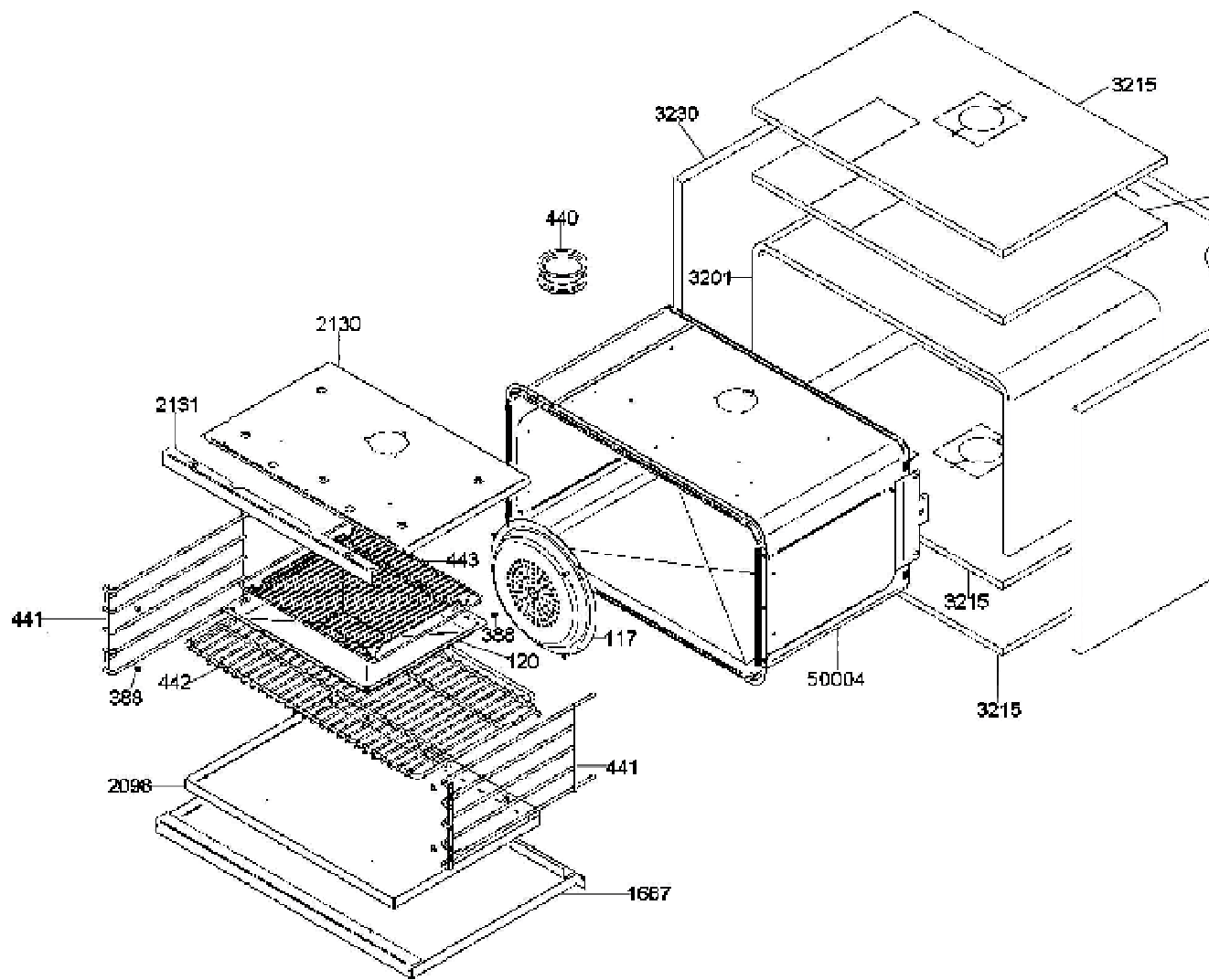


**800338 - M70QPTU1NE.UP**  
EXPLODED COOLING FAN -





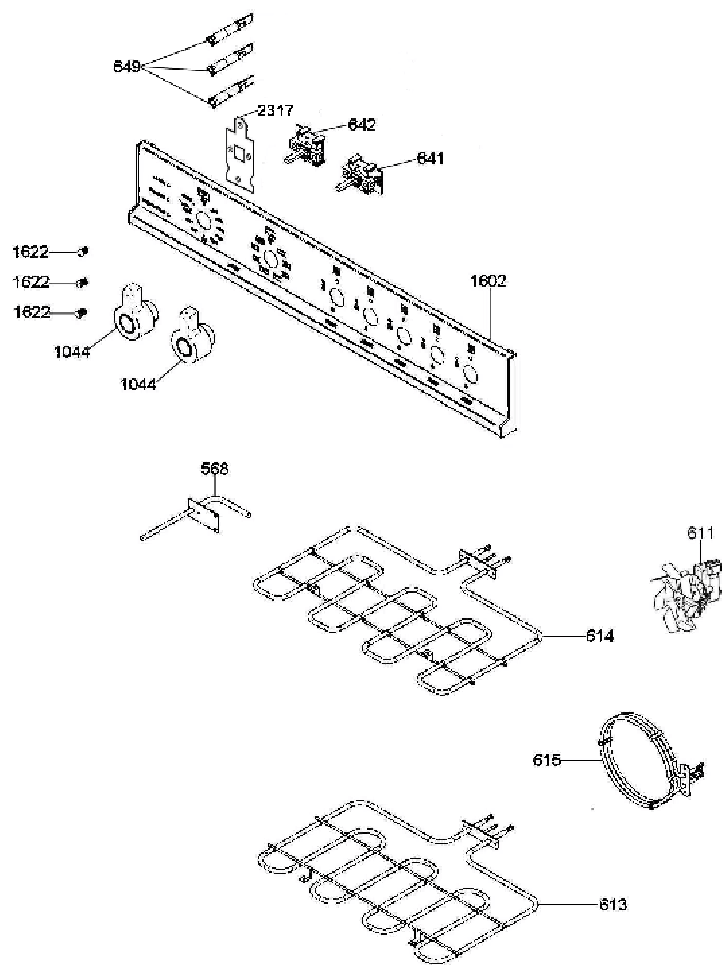
**800340 - M70QPTU1NE.UP**  
EXPLODED VIEW OF DOTATION -





# 800401 - M70QPTU1NE.UP

EXPLODED VIEW OF OVEN -

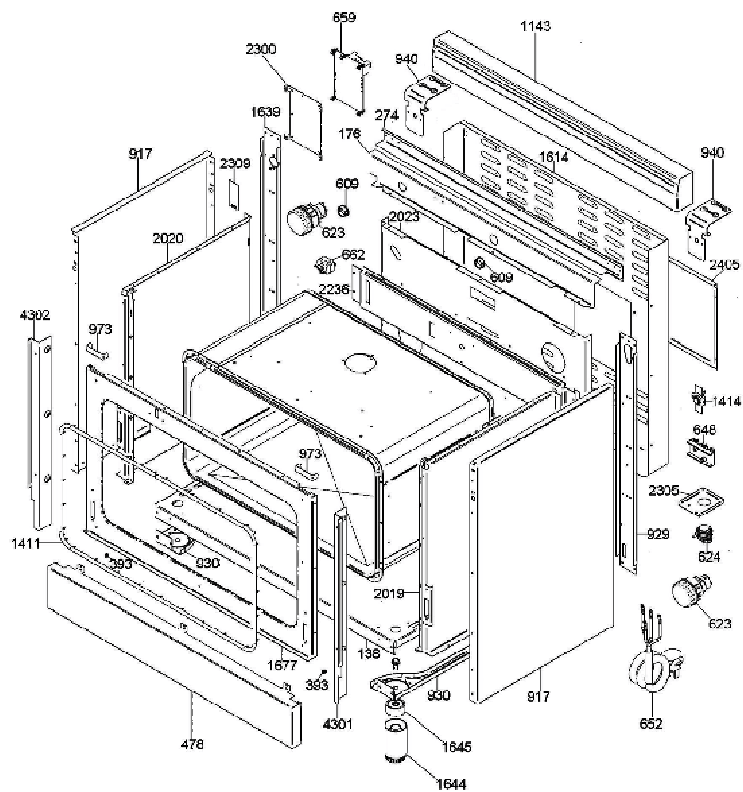


Cod. 900401



# 800403 - M70QPTU1NE.UP

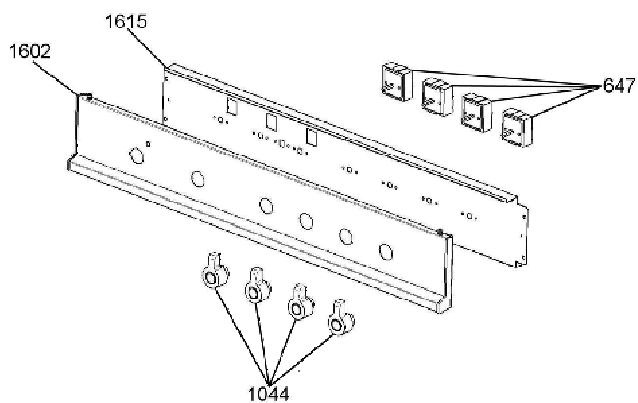
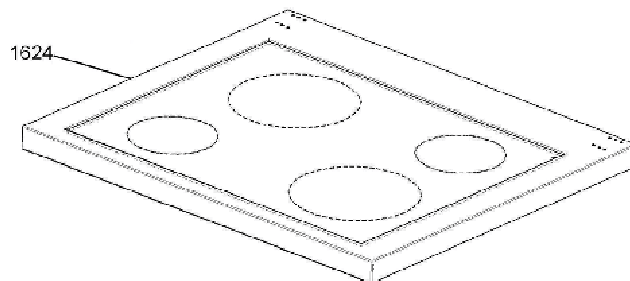
## EXPLODED VIEW OF STRUCTURE -



Cod. 800403



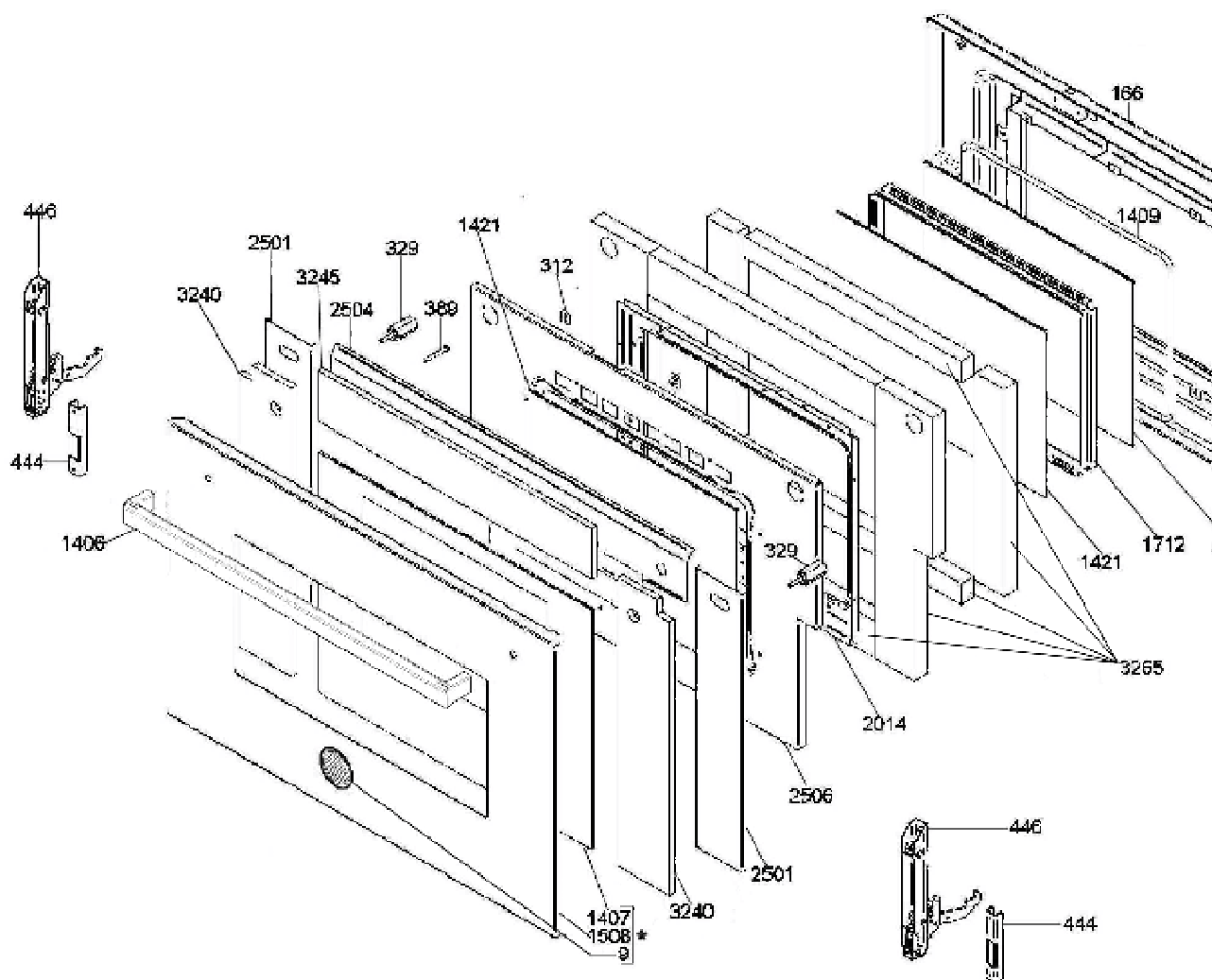
**800645 - M70QPTU1NE.UP**  
EXPLODED VIEW OF WORK TABLE -



Cod. 800645



# 800720 - M70QPTU1NE.UP EXPLODED OVEN DOOR -



\* THESE PARTS CAN ONLY BE SUPPLIED IN PRE-ASSEMBLED KIT, NOT AS SINGLE PARTS





**800971 - M70QPTU1NE.UP**  
EXPLODED VIEW OF WORK TABLE -